



REPAIR KITS

BRAKE CYLINDERS
CALIPER PISTONS
MASTER CYLINDERS
WHEEL CYLINDERS
CLUTCH MASTER CYLINDER
CLUTCH SLAVE CYLINDERS



WRAKYNSON

FACTORY

Av. les Garrigues, 73
25001 Lleida (Spain)
Tel. +34 973 200 280
Fax. +34 973 202 876
Wrakynson@wrakynson.com

STORE

Polígon Industrial El Segre
C\ Minería, 4
25191 Lleida (Spain)
Tel. +34 973 211 688
Store@wrakynson.com

MANUFACTURAS WRAKYNSON

www.wrakynson.com



INDEX

REPAIR KITS

| | | | |
|---|-----|---------------------------|-----|
| ACURA | 5 | LEXUS | 140 |
| ALFA ROMEO | 6 | MAN | 142 |
| ARO | 14 | MAZDA | 143 |
| AUDI | 15 | MERCEDES..... | 151 |
| AUTHI MORRIS | 30 | MINI..... | 170 |
| AVIA..... | 31 | MITSUBISHI | 171 |
| BARREIROS - BEDFORD – BERLIET | 32 | NISSAN – DATSUN | 185 |
| BMW..... | 33 | OPEL | 208 |
| CHEVROLET..... | 44 | PEUGEOT | 219 |
| CHRYSLER | 46 | PEYKAN..... | 232 |
| CITROËN | 48 | POLSKI | 233 |
| DACIA | 59 | PORSCHE | 234 |
| DAEWOO | 60 | RENAULT | 235 |
| DAF | 63 | ROVER | 252 |
| DAIHATSU..... | 65 | SAAB..... | 256 |
| DODGE..... | 68 | SANTANA - LAND ROVER..... | 258 |
| ENASA..... | 69 | SEAT..... | 259 |
| FIAT..... | 70 | SKODA | 266 |
| FORD..... | 81 | SMART | 269 |
| GREAT WALL..... | 94 | SSANYONG | 270 |
| HOLDEN | 95 | SUBARU | 271 |
| HONDA | 96 | SUZUKI..... | 275 |
| HYUNDAI | 106 | TALBOT..... | 279 |
| INFINITI..... | 113 | TATA | 281 |
| ISUZU..... | 114 | TOYOTA | 282 |
| IVECO..... | 118 | U.M.M. | 303 |
| JAGUAR..... | 121 | VOLKSWAGEN | 304 |
| JEEP | 124 | VOLVO | 323 |
| KIA | 126 | VOLVO TRUCKS | 328 |
| LADA | 131 | WILLYS..... | 329 |
| LANCIA..... | 133 | ZASTAVA - YUGO | 330 |
| LAND ROVER..... | 137 | | |
| REPAIR KITS COMPOSITION..... | | | 331 |
| REPAIR KITS LIST AND THEIR APPLICATIONS..... | | | 472 |
| CALIPER PISTONS with mechanism | | | 591 |
| CALIPER PISTONS..... | | | 598 |
| CALIPER PISTONS LIST AND THEIR APPLICATIONS | | | 648 |
| FIGURES classified by figures | | | 686 |
| FIGURES classified by diameter..... | | | 747 |
| GUIDE PIN..... | | | 807 |
| BLEENDER SCREW | | | 821 |



METRIC EQUIVALENT CHART



| MM | INCHES |
|--------|---------|
| 6,350 | 1/4 |
| 9,525 | 3/8 |
| 12,700 | 1/2 |
| 14,288 | 9/16 |
| 15,875 | 5/8 |
| 17,463 | 11/16 |
| 19,050 | 3/4 |
| 20,638 | 13/16 |
| 22,225 | 7/8 |
| 23,813 | 15/16 |
| 25,400 | 1 |
| 28,575 | 1 1/8 |
| 31,750 | 1 1/4 |
| 44,450 | 1 3/4 |
| 38,100 | 1 1/2 |
| 39,688 | 1 9/16 |
| 41,275 | 1 5/8 |
| 42,863 | 1 11/16 |
| 44,450 | 1 3/4 |
| 46,038 | 1 13/16 |
| 47,625 | 1 7/8 |
| 49,213 | 1 15/16 |
| 50,800 | 2 |
| 53,975 | 2 1/8 |
| 57,150 | 2 1/4 |
| 69,850 | 2 3/4 |
| 63,500 | 2 1/2 |
| 65,088 | 2 9/16 |
| 66,675 | 2 5/8 |
| 68,263 | 2 11/16 |
| 69,850 | 2 3/4 |
| 71,438 | 2 13/16 |
| 73,025 | 2 7/8 |
| 74,613 | 2 15/16 |
| 76,200 | 3 |

MANUFACTURAS WRAKYNSON

www.wrakynson.com

Page 4 of 822



∅
(mm.)

VERSION



ACURA

1 of 1

CL



(YA1) ALL TYPES

01-97→12-99

57

NISSAN

6369-G

11830

P-575506

1 55

TL



2.5 - 3.2

01-95→01-98

11

NISSAN

30134-G



Master Cylinder



Front Caliper



Front Wheel Cylinder



Clutch Master Cylinder



Front Caliper Guides



Pressure Regulating Valve



Rear Caliper



Rear Wheel Cylinder



Clutch Slave Cylinder



Rear Caliper Guides

Ø
(mm.)

VERSION



ALFA ROMEO

1 of 8

1.750 - 2.000

| | | | | | | | | | |
|--|-----------|-------------|------|-----------|---------------|-------|----------|---|------|
| | ALL TYPES | 01-70→ | 20,6 | ATE - FAG | 3157-G | | | | |
| | 2.000 | →01-71 | 20,6 | BONALDI | 3193-G | | | | |
| | ALL TYPES | 00-68→00-79 | 48 | ATE | 3356-G | 10821 | P-483001 | 2 | 30 |
| | ALL TYPES | 00-68→00-79 | 38 | ATE | 3451-G | 10603 | P-382901 | 2 | 29,9 |
| | ALL TYPES | 01-70→ | 17,5 | ATE | 6352-G | | | | |
| | ALL TYPES | →01-69 | 25,4 | BREMBO | 3225-G | | | | |
| | ALL TYPES | 01-70→ | 25,4 | ATE | 4535-G | | | | |

145 - 146

| | | | | | | | | | |
|--|----------------------------------|-------------|------|----------------|----------------|-------|----------|---|------|
| | ALL TYPES | | 22,2 | BEDNIX - BOSCH | 3583-G | | | | |
| | ALL TYPES (DISC 20/22MM) | 07-94→01-01 | 54 | ATE | 3073-G | 10573 | P-545501 | 1 | 55,5 |
| | ALL TYPES EXCEPT 1.7 (DISC 12MM) | 07-94→12-96 | 54 | LUCAS | 3220-G | 10567 | P-545103 | 1 | 51 |
| | 1.7 (DISC 20MM) | | | | | 10563 | P-544901 | 1 | 49,8 |
| | ALL TYPES (FOR TWO WHEELS) | 07-94→12-96 | 54 | LUCAS | 4588-G | | | | |
| | ALL TYPES | 07-94→01-01 | 8 | LUCAS | 30003-G | | | | |
| | ALL TYPES | 07-94→01-01 | 12 | ATE | 30023-G | | | | |
| | 1.4 - 1.6 - TD | 07-94→01-01 | 20,6 | BEDNIX - BOSCH | 3581-G | | | | |
| | ALL TYPES | 07-94→01-01 | 34 | LUCAS | 3384-G | 10514 | P-334601 | 1 | 46,8 |
| | | | | | | 11562 | K-334601 | 1 | 46,8 |
| | ALL TYPES | 12-96→ | 38 | LUCAS | 4442-G | 10520 | P-385101 | 1 | 51 |
| | | | | | | 11651 | K-385101 | 1 | 51 |
| | ALL TYPES (CALIPER 34MM) | 07-94→01-01 | 8 | LUCAS | 30001-G | | | | |
| | ALL TYPES (CALIPER 38MM) | 01-97→01-01 | 8 | LUCAS | 30004-G | | | | |
| | 1.4i - 1.6i - 1.7i 16V | | 19 | BEDNIX - BOSCH | 3389-G | | | | |
| | ALL TYPES 16V - TD - 2.0i (LHD) | | 19 | BEDNIX - BOSCH | 3644-G | | | | |
| | ALL TYPES | | 25,4 | BEDNIX - BOSCH | 3225-G | | | | |

147

| | | | | | | | | | |
|--|-----------------------------------|--------|------|--------|----------------|-------|----------|---|------|
| | ALL TYPES (-EPS) | 01-01→ | 22,2 | LUCAS | 4791-G | | | | |
| | ALL TYPES (EPS) | 01-01→ | 22,2 | LUCAS | 4832-G | | | | |
| | 3.2 GTA | 02-03→ | 38 | BREMBO | 6049-G | 11637 | P-423202 | 2 | 32 |
| | | | | | | | P-383203 | 2 | 32 |
| | ALL TYPES (DISC 22MM) | 01-01→ | 54 | ATE | 3073-G | 10573 | P-545501 | 1 | 55,5 |
| | ALL TYPES (HARD BOOT) (DISC 15MM) | 01-01→ | 54 | ATE | 4318-G | 11370 | P-545601 | 1 | 56 |
| | ALL TYPES (HARD BOOT) | 01-01→ | 54 | ATE | 6033-G | | | | |
| | ALL TYPES | 01-01→ | 12 | ATE | 30023-G | | | | |
| | ALL TYPES | 01-01→ | 38 | LUCAS | 4442-G | 10520 | P-385101 | 1 | 51 |
| | | | | | | 11651 | K-385101 | 1 | 51 |
| | 3.2 GTA | 02-03→ | 8 | LUCAS | 30004-G | | | | |
| | ALL TYPES | 01-01→ | 10 | LUCAS | 30063-G | | | | |
| | ALL TYPES | 01-01→ | 15,9 | VALEO | 4786-G | | | | |
| | ALL TYPES | 01-01→ | 20,6 | BOSCH | 4850-G | | | | |
| | ALL TYPES | 01-01→ | 20,6 | VALEO | 4867-G | | | | |
| | ALL TYPES | 01-01→ | 25,4 | BOSCH | 4242-G | | | | |



Master Cylinder



Front Caliper



Front Wheel Cylinder



Clutch Master Cylinder



Front Caliper Guides



Pressure Regulating Valve



Rear Caliper



Rear Wheel Cylinder



Clutch Slave Cylinder



Rear Caliper Guides

Ø
(mm.)

VERSION



ALFA ROMEO

2 of 8

155

| | | | | | | | | | |
|--|------------------------------------|-------------|------|----------------|----------------|-------|----------|---|------|
| | 2.0 TS | 01-92→ | 22,2 | BEDNIX - BOSCH | 3583-G | | | | |
| | 2.5 TD | 04-93→ | 23,8 | BEDNIX - BOSCH | 4131-G | | | | |
| | ALL TYPES | 01-92→12-97 | 48 | LUCAS | 3267-G | 10536 | P-485102 | 1 | 51 |
| | 1.9 TD (DISC 22MM) | 01-92→12-97 | 54 | LUCAS | 3220-G | 10570 | P-545301 | 1 | 53,7 |
| | ALL TYPES EXCEPT 1.9TD (DISC 12MM) | | | | | 10567 | P-545103 | 1 | 51 |
| | ALL TYPES | 01-92→12-97 | 8 | LUCAS | 30003-G | | | | |
| | ALL TYPES | 01-92→12-97 | 34 | LUCAS | 3384-G | 10514 | P-334601 | 1 | 46,8 |
| | | | | | | 11562 | K-334601 | 1 | 46,8 |
| | ALL TYPES | 01-92→12-97 | 8 | LUCAS | 30001-G | | | | |
| | ALL TYPES PETROL - 2.0TS | 01-92→ | 19 | BEDNIX - BOSCH | 3389-G | | | | |
| | 2.5 TD | 04-93→ | 19 | BEDNIX - BOSCH | 3644-G | | | | |
| | ALL TYPES PETROL - 2.0TS | 01-92→ | 25,4 | BEDNIX - BOSCH | 3225-G | | | | |
| | 2.5 TD | 04-93→ | 25,4 | BEDNIX - BOSCH | 4242-G | | | | |

156

| | | | | | | | | | |
|--|-----------------------------------|-------------|------|--------|----------------|-------|----------|---|------|
| | 3.2 GTA | 03-02→ | 38 | BREMBO | 6049-G | 11663 | P-423005 | 2 | 30 |
| | | | | | | | P-383005 | 2 | 30 |
| | ALL TYPES (DISC 22MM) | 01-97→05-06 | 54 | ATE | 3073-G | 10573 | P-545501 | 1 | 55,5 |
| | ALL TYPES (HARD BOOT) (DISC 15MM) | 01-97→05-06 | 54 | ATE | 4318-G | 11370 | P-545601 | 1 | 56 |
| | ALL TYPES (HARD BOOT) | 01-97→05-06 | 54 | ATE | 6033-G | | | | |
| | ALL TYPES | 01-97→05-06 | 38 | LUCAS | 4442-G | 10520 | P-385101 | 1 | 51 |
| | | | | | | 11651 | K-385101 | 1 | 51 |
| | ALL TYPES | 01-97→05-06 | 8 | LUCAS | 30004-G | | | | |
| | ALL TYPES | 01-97→05-06 | 25,4 | BOSCH | 4242-G | | | | |

159

| | | | | | | | | | |
|--|----------------------------|--------|------|--------|----------------|-------|----------|---|------|
| | ALL TYPES | 09-05→ | 25,4 | LUCAS | 4570-G | | | | |
| | 2.4 - 3.2 | 09-05→ | 42 | BREMBO | 6050-G | 10780 | P-422902 | 4 | 29 |
| | ALL TYPES EXCEPT 2.4 - 3.2 | 09-05→ | 60 | ATE | 4565-G | 10963 | P-605502 | 1 | 55,5 |
| | ALL TYPES | 09-05→ | 12 | ATE | 30023-G | | | | |
| | ALL TYPES EXCEPT 2.4 - 3.2 | 09-05→ | 38 | LUCAS | 4442-G | 10520 | P-385101 | 1 | 51 |
| | | | | | | 11651 | K-385101 | 1 | 51 |
| | 2.4 - 3.2 | 09-05→ | 41 | LUCAS | 4289-G | 10610 | P-415101 | 1 | 51 |
| | | | | | | 11696 | K-415101 | 1 | 51 |
| | 2.4 - 3.2 | 09-05→ | 41 | LUCAS | 6031-G | | | | |
| | ALL TYPES EXCEPT 2.4 - 3.2 | 09-05→ | 8 | LUCAS | 30004-G | | | | |
| | 2.4 - 3.2 | 09-05→ | 8,4 | LUCAS | 30046-G | | | | |



Master Cylinder



Front Caliper



Front Wheel Cylinder



Clutch Master Cylinder



Front Caliper Guides



Pressure Regulating Valve



Rear Caliper



Rear Wheel Cylinder



Clutch Slave Cylinder



Rear Caliper Guides

Ø
(mm.)

VERSION



ALFA ROMEO

3 of 8

164

| | | | | | | | | | |
|--|---------------------------|-------------|------|----------------|----------------|-------|----------|---|------|
| | ALL TYPES | 06-87→ | 22,2 | BEDNIX - BOSCH | 3189-G | | | | |
| | ALL TYPES | 06-87→ | 23,8 | BEDNIX - BOSCH | 3643-G | | | | |
| | 2.5TD - 3.0V6 (DISC 22MM) | 10-88→02-93 | 54 | LUCAS | 3220-G | 10570 | P-545301 | 1 | 53,7 |
| | 2.0 (DISC 20MM) | 06-87→ | | | | 10563 | P-544901 | 1 | 49,8 |
| | ALL TYPES | 09-90→ | 57 | LUCAS | 3481-G | 10580 | P-575401 | 1 | 54,8 |
| | 2.0 - 2.5 - 3.0 | 06-87→02-93 | 8 | LUCAS | 30003-G | | | | |
| | ALL TYPES | 06-87→ | 36 | LUCAS | 3257-G | 10518 | P-364801 | 1 | 48 |
| | ALL TYPES | 09-90→ | 38 | LUCAS | 3247-G | 10521 | P-385101 | 1 | 51 |
| | | | | | | 11652 | K-385101 | 1 | 51 |
| | ALL TYPES | 09-90→ | 38 | LUCAS | 4981-G | | | | |
| | ALL TYPES | 06-87→ | 8 | LUCAS | 30001-G | | | | |
| | ALL TYPES | 06-87→ | 19 | BEDNIX - BOSCH | 3389-G | | | | |
| | ALL TYPES | 06-87→ | 25,4 | BEDNIX - BOSCH | 3225-G | | | | |

166

| | | | | | | | | | |
|--|-----------------------|--------|------|--------|----------------|-------|----------|---|------|
| | ALL TYPES | 09-98→ | 25,4 | LUCAS | 4570-G | | | | |
| | ALL TYPES | 09-98→ | 38 | BREMBO | 6049-G | 10749 | P-422902 | 2 | 29 |
| | | | | | | | P-382902 | 2 | 29 |
| | ALL TYPES (SOFT BOOT) | 09-98→ | 57 | ATE | 3391-G | 10930 | P-575502 | 1 | 55,5 |
| | ALL TYPES | 09-98→ | 57 | ATE | 4983-G | | | | |
| | ALL TYPES | 09-98→ | 12 | ATE | 30023-G | | | | |
| | ALL TYPES | 09-98→ | 38 | LUCAS | 4442-G | 10520 | P-385101 | 1 | 51 |
| | | | | | | 11651 | K-385101 | 1 | 51 |
| | ALL TYPES | 09-98→ | 8 | LUCAS | 30004-G | | | | |
| | ALL TYPES | 09-98→ | 25,4 | BOSCH | 4242-G | | | | |

33

| | | | | | | | | | |
|--|----------------------------------|-------------|------|----------------|---------------|-------|----------|---|------|
| | ALL TYPES | | 20,6 | BEDNIX - BOSCH | 3193-G | | | | |
| | ALL TYPES | | 20,6 | ATE | 3355-G | | | | |
| | ALL TYPES | 01-83→ | 48 | BEDNIX - BOSCH | 2675-G | 10838 | P-484402 | 1 | 44 |
| | 1.7 (DISC 22MM) | 01-88→01-95 | 48 | ATE | 3130-G | 10548 | P-484802 | 1 | 48 |
| | ALL TYPES | 01-90→09-94 | 48 | LUCAS | 3267-G | 10536 | P-485102 | 1 | 51 |
| | ALL TYPES EXCEPT 1.7 (DISC 11MM) | 01-83→ | 48 | ATE | 3345-G | | | | |
| | 1.7 | 01-88→01-95 | 48 | ATE | 6173-G | | | | |
| | ALL TYPES | | 17,5 | ATE | 3162-G | | | | |
| | ALL TYPES | | 17,5 | BEDNIX - BOSCH | 3223-G | | | | |
| | ALL TYPES | | 19 | BEDNIX - BOSCH | 4150-G | | | | |
| | ALL TYPES 2WD | 01-90→ | 34 | LUCAS | 3384-G | 10514 | P-334601 | 1 | 46,8 |
| | | | | | | 11562 | K-334601 | 1 | 46,8 |
| | ALL TYPES 4WD | 01-90→ | 36 | LUCAS | 3257-G | | | | |
| | ALL TYPES | | 19 | ATE | 3216-G | | | | |
| | ALL TYPES | | 19 | BEDNIX - BOSCH | 3217-G | | | | |
| | ALL TYPES | | 25,4 | ATE | 3224-G | | | | |
| | ALL TYPES | | 25,4 | BEDNIX - BOSCH | 3225-G | | | | |



Master Cylinder



Front Caliper



Front Wheel Cylinder



Clutch Master Cylinder



Front Caliper Guides



Pressure Regulating Valve



Rear Caliper



Rear Wheel Cylinder



Clutch Slave Cylinder



Rear Caliper Guides

Ø
(mm.)

VERSION



ALFA ROMEO

4 of 8

6

| | | | | | | | | | |
|--|-----------------------|--|------|-----|---------------|-------|----------|---|----|
| | ALL TYPES | | 40 | ATE | 3396-G | 11683 | P-403004 | 4 | 30 |
| | ALL TYPES (2 PISTONS) | | 42 | ATE | 4265-G | | | | |
| | ALL TYPES | | 19 | ATE | 3216-G | | | | |
| | ALL TYPES | | 25,4 | ATE | 3224-G | | | | |

75 - 90

| | | | | | | | | | |
|--|--|-------------|------|----------------|---------------|-------|----------|---|------|
| | ALL TYPES | | 22,2 | ATE | 3117-G | | | | |
| | ALL TYPES | | 22,2 | BEDNIX - BOSCH | 3189-G | | | | |
| | 75 2.0 TWIN SPARK | 05-85→02-92 | 40 | ATE | 3396-G | 11683 | P-403004 | 4 | 30 |
| | ALL TYPES 75 EXCEPT 2.0 TWIN SPARK - 2.0 T - 2.0D01-84→01-92 | | 48 | ATE | 3356-G | 10821 | P-483001 | 2 | 30 |
| | 90 2.5 | 09-84→08-87 | | | | | P-483001 | 2 | 30 |
| | ALL TYPES | 09-85→02-92 | 48 | BREMBO | 6185-G | 11789 | P-483001 | 2 | 30 |
| | ALL TYPES 75 - 90 | | 38 | ATE | 3371-G | 10737 | P-383001 | 2 | 30,5 |
| | | | | | | 11656 | K-383001 | 2 | 30,5 |
| | ALL TYPES | | 19 | BEDNIX - BOSCH | 3217-G | | | | |
| | ALL TYPES | | 19 | ATE | 3388-G | | | | |
| | ALL TYPES | | 25,4 | ATE | 3224-G | | | | |
| | ALL TYPES | | 25,4 | BEDNIX - BOSCH | 3225-G | | | | |

ALFASUD

| | | | | | | | | | |
|--|-------------------------|-------------|------|----------------|---------------|-------|----------|---|----|
| | ALL TYPES (CH.5041101→) | | 19 | BEDNIX - BOSCH | 3188-G | | | | |
| | ALL TYPES (→CH.5041100) | | 19 | ATE | 3372-G | | | | |
| | ALL TYPES (CH.5041101→) | | 19 | ATE | 3373-G | | | | |
| | 1500 SPRINT | | 20,6 | BEDNIX - BOSCH | 3193-G | | | | |
| | ALL TYPES (2 PISTONS) | | 42 | ATE | 4265-G | | | | |
| | 1500 SPRINT | 01-82→ | 48 | BEDNIX - BOSCH | 3038-G | 10835 | P-484402 | 1 | 44 |
| | 1500 SPRINT | 01-82→01-86 | 17,5 | BEDNIX - BOSCH | 3223-G | | | | |
| | ALL TYPES (2 PISTONS) | | 33 | ATE | 3419-G | | | | |
| | ALL TYPES | | 19 | ATE | 3216-G | | | | |
| | ALL TYPES | | 19 | BEDNIX - BOSCH | 3217-G | | | | |
| | ALL TYPES | | 25,4 | ATE | 3224-G | | | | |
| | ALL TYPES | | 25,4 | BEDNIX - BOSCH | 3225-G | | | | |

ALFASUD SPRINT

| | | | | | | | | | |
|--|-----------------------|-------------|------|----------------|---------------|-------|----------|---|----|
| | ALL TYPES | 01-76→01-87 | 19 | ATE | 3373-G | | | | |
| | ALL TYPES | 01-87→01-88 | 20,6 | BEDNIX - BOSCH | 3193-G | | | | |
| | ALL TYPES | 01-87→01-88 | 20,6 | ATE | 3355-G | | | | |
| | 1.3 (2 PISTONS) | 01-76→01-83 | 42 | ATE | 4265-G | | | | |
| | 1.3 - 1.5 | 01-83→01-87 | 48 | BEDNIX - BOSCH | 3038-G | 10835 | P-484402 | 1 | 44 |
| | 1.7 | 01-87→01-89 | 48 | ATE | 3130-G | 10548 | P-484802 | 1 | 48 |
| | 1.7 | 01-87→01-89 | 48 | ATE | 6173-G | | | | |
| | 1.5 QUADROFOLIO VERDE | 01-83→01-87 | 17,5 | ATE | 3162-G | | | | |
| | ALL TYPES | | 17,5 | BEDNIX - BOSCH | 3223-G | | | | |
| | ALL TYPES (2 PISTONS) | | 33 | ATE | 3419-G | | | | |
| | ALL TYPES | | 19 | ATE | 3216-G | | | | |
| | ALL TYPES | | 19 | BEDNIX - BOSCH | 3217-G | | | | |
| | ALL TYPES | | 25,4 | ATE | 3224-G | | | | |
| | ALL TYPES | | 25,4 | BEDNIX - BOSCH | 3225-G | | | | |



Master Cylinder



Front Caliper



Front Wheel Cylinder



Clutch Master Cylinder



Front Caliper Guides



Pressure Regulating Valve



Rear Caliper



Rear Wheel Cylinder



Clutch Slave Cylinder



Rear Caliper Guides

Ø
(mm.)

VERSION

**ALFA ROMEO**

5 of 8

ALFETTA

| | | | | | | | | | |
|--|--------------------|-------------|------|-----------------|---------------|-------|----------|---|------|
| | ALL TYPES | | 20,6 | ATE - FAG | 3157-G | | | | |
| | ALL TYPES | | 20,6 | BONALDI | 3193-G | | | | |
| | ALL TYPES | | 22,2 | ATE | 3117-G | | | | |
| | ALL TYPES | | 22,2 | BEDNIX - BOSCH | 3189-G | | | | |
| | 2.4 TURBO - DIESEL | 11-81→09-84 | 48 | ATE | 3356-G | 11791 | P-484301 | 2 | 43,5 |
| | 1.6 - 1.8 - 2.0 | 05-72→09-84 | | | | 10821 | P-483001 | 2 | 30 |
| | ALL TYPES | 05-72→09-84 | 38 | ATE | 3371-G | 10737 | P-383001 | 2 | 30,5 |
| | | | | | | 11656 | K-383001 | 2 | 30,5 |
| | ALL TYPES | | 19 | ATE | 3216-G | | | | |
| | ALL TYPES | | 19 | BEDNIX - BOSCH | 3217-G | | | | |
| | ALL TYPES | | 25,4 | ATE | 3224-G | | | | |
| | ALL TYPES | | 25,4 | BENDIX - BREMBO | 3225-G | | | | |

AR

| | | | | | | | | | |
|--|------|-------------|------|----------------|---------------|--|--|--|--|
| | AR 8 | 04-85→12-89 | 20,6 | BEDNIX - BOSCH | 3193-G | | | | |
| | AR 6 | 04-85→12-89 | 22,2 | BEDNIX - BOSCH | 3189-G | | | | |
| | AR 6 | 04-85→12-89 | 25,4 | LUCAS | 3055-G | | | | |

ARNA

| | | | | | | | | | |
|--|-------------------|-------------|------|----------------|---------------|-------|----------|---|----|
| | ALL TYPES | 03-83→12-86 | 19 | BEDNIX - BOSCH | 3188-G | | | | |
| | ALL TYPES | 03-83→12-86 | 48 | BEDNIX - BOSCH | 2675-G | 10838 | P-484402 | 1 | 44 |
| | 1.2 - 1.3 - 1.5Ti | | 17,5 | BEDNIX - BOSCH | 3223-G | | | | |
| | ALL TYPES | | 19 | BEDNIX - BOSCH | 4150-G | | | | |
| | ALL TYPES | | 19 | ATE | 3216-G | | | | |
| | ALL TYPES | | 19 | BEDNIX - BOSCH | 3217-G | | | | |
| | ALL TYPES | | 25,4 | ATE | 3224-G | | | | |
| | ALL TYPES | | 25,4 | BEDNIX - BOSCH | 3225-G | | | | |

BRERA

| | | | | | | | | | |
|--|----------------------------|--------|------|--------|----------------|-------|----------|---|------|
| | ALL TYPES | | 25,4 | LUCAS | 4570-G | | | | |
| | ALL TYPES EXCEPT 2.0 - 2.2 | | 42 | BREMBO | 6050-G | 10780 | P-422902 | 4 | 29 |
| | ALL TYPES EXCEPT 2.4 - 3.2 | | 60 | ATE | 4565-G | 10963 | P-605502 | 1 | 55,5 |
| | ALL TYPES EXCEPT 2.4 - 3.2 | | 12 | ATE | 30023-G | | | | |
| | 2.0 - 2.2 | | 38 | LUCAS | 4442-G | 10520 | P-385101 | 1 | 51 |
| | | | | | | 11651 | K-385101 | 1 | 51 |
| | 2.4 - 3.2 | | 41 | LUCAS | 4289-G | 10610 | P-415101 | 1 | 51 |
| | | | | | | 11696 | K-415101 | 1 | 51 |
| | ALL TYPES | 01-06→ | 8,4 | LUCAS | 30046-G | | | | |

COUPE SZ

| | | | | | | | | | |
|--|---------------|-------------|------|----------------|---------------|--|--|--|--|
| | 3.0 V6 ZAGATO | 09-88→08-94 | 34 | LUCAS | 3384-G | | | | |
| | 3.0 V6 ZAGATO | 09-88→08-94 | 19 | BEDNIX - BOSCH | 3357-G | | | | |
| | 3.0 V6 ZAGATO | 09-88→08-94 | 19 | ATE | 3388-G | | | | |
| | 3.0 V6 ZAGATO | 09-88→08-94 | 25,4 | BEDNIX - BOSCH | 3225-G | | | | |

GIULIA

| | | | | | | | | | |
|--|-----------------------|-------------|----|-----|---------------|-------|----------|---|------|
| | ALL TYPES | 01-62→12-78 | 48 | ATE | 3356-G | 10821 | P-483001 | 2 | 30 |
| | ALL TYPES (HARD BOOT) | 01-62→12-78 | 38 | ATE | 3451-G | 10603 | P-382901 | 2 | 29,9 |



Master Cylinder



Front Caliper



Front Wheel Cylinder



Clutch Master Cylinder



Front Caliper Guides



Pressure Regulating Valve



Rear Caliper



Rear Wheel Cylinder



Clutch Slave Cylinder



Rear Caliper Guides

Ø
(mm.)

VERSION



ALFA ROMEO

6 of 8

GIULIETTA

| | | | | | | | | | |
|--|--------------------|-------------|------|-----------------|----------------|-------|----------|---|------|
| | ALL TYPES | | 20,6 | ATE - FAG | 3157-G | | | | |
| | ALL TYPES | | 20,6 | BONALDI | 3193-G | | | | |
| | ALL TYPES | | 22,2 | ATE | 3117-G | | | | |
| | ALL TYPES | | 22,2 | BEDNIX - BOSCH | 3189-G | | | | |
| | ALL TYPES | 04-10→ | 40 | BREMBO | 4932-G | 11687 | P-403005 | 4 | 30 |
| | 2.0 TURBO - DIESEL | 01-83→00-85 | 48 | ATE | 3356-G | 11791 | P-484301 | 2 | 43,5 |
| | ALL TYPES | 09-77→00-85 | | | | 10821 | P-483001 | 2 | 30 |
| | ALL TYPES | 04-10→ | 57 | ATE | 4768-G | 10589 | P-575504 | 1 | 55,4 |
| | ALL TYPES | 04-10→ | 12 | ATE | 30023-G | | | | |
| | ALL TYPES | 09-77→00-85 | 38 | ATE | 3371-G | 10737 | P-383001 | 2 | 30,5 |
| | | | | | | 11656 | K-383001 | 2 | 30,5 |
| | ALL TYPES | 04-10→ | 38 | LUCAS | 4442-G | 10520 | P-385101 | 1 | 51 |
| | | | | | | 11651 | K-385101 | 1 | 51 |
| | ALL TYPES | 04-10→ | 8 | LUCAS | 30004-G | | | | |
| | ALL TYPES | 10-77→ | 19 | ATE | 3216-G | | | | |
| | ALL TYPES | 10-77→ | 19 | BEDNIX - BOSCH | 3217-G | | | | |
| | ALL TYPES | 10-77→ | 25,4 | ATE | 3224-G | | | | |
| | ALL TYPES | 10-77→ | 25,4 | BENDIX - BREMBO | 3225-G | | | | |

GT

| | | | | | | | | | |
|--|-----------------------------------|-------------|------|--------|----------------|-------|----------|---|------|
| | ALL TYPES | 11-03→ | 22,2 | LUCAS | 4791-G | | | | |
| | GT 3.2 GTA | 11-03→ | 38 | BREMBO | 6049-G | 11663 | P-423005 | 2 | 30 |
| | | | | | | | P-383005 | 2 | 30 |
| | ALL TYPES | 03-63→12-77 | 48 | ATE | 3356-G | 10821 | P-483001 | 2 | 30 |
| | ALL TYPES (SOFT CALIPER BOOT) | 11-03→ | 54 | ATE | 3073-G | 10573 | P-545501 | 1 | 55,5 |
| | ALL TYPES (HARD BOOT) (DISC 15MM) | 11-03→ | 54 | ATE | 4318-G | 11370 | P-545601 | 1 | 56 |
| | ALL TYPES (HARD BOOT) | 11-03→ | 54 | ATE | 6033-G | | | | |
| | ALL TYPES | 11-03→ | 12 | ATE | 30023-G | | | | |
| | GT 1300 | 01-66→12-77 | 30 | ATE | 4670-G | | | | |
| | ALL TYPES | 00-69→00-78 | 38 | ATE | 3451-G | 10603 | P-382901 | 2 | 29,9 |
| | ALL TYPES | 11-03→ | 38 | LUCAS | 4442-G | 10520 | P-385101 | 1 | 51 |
| | | | | | | 11651 | K-385101 | 1 | 51 |
| | ALL TYPES | 11-03→ | 8 | LUCAS | 30004-G | | | | |
| | ALL TYPES | 11-03→ | 15,9 | VALEO | 4786-G | | | | |
| | ALL TYPES | 11-03→ | 20,6 | BOSCH | 4850-G | | | | |



Master Cylinder



Front Caliper



Front Wheel Cylinder



Clutch Master Cylinder



Front Caliper Guides



Pressure Regulating Valve



Rear Caliper



Rear Wheel Cylinder



Clutch Slave Cylinder



Rear Caliper Guides

Ø
(mm.)

VERSION



ALFA ROMEO

7 of 8

GTV

| | | | | | | | | | |
|--|----------------------------|-------------|------|-----------------|---------------|-------|----------|---|------|
| | ALL TYPES | | 20,6 | ATE - FAG | 3157-G | | | | |
| | ALL TYPES | | 20,6 | BONALDI | 3193-G | | | | |
| | ALL TYPES | | 22,2 | ATE | 3117-G | | | | |
| | ALL TYPES | | 22,2 | BEDNIX - BOSCH | 3189-G | | | | |
| | ALL TYPES | 06-95→ | 22,2 | FAG | 3716-G | | | | |
| | 2.0 (DISC 11MM) | 03-86→00-87 | 48 | ATE | 3356-G | 11791 | P-484301 | 2 | 43,5 |
| | ALL TYPES (DISC 12,7-22MM) | 01-78→02-87 | | | | 10821 | P-483001 | 2 | 30 |
| | ALL TYPES | 06-95→ | 54 | ATE | 3073-G | 10573 | P-545501 | 1 | 55,5 |
| | ALL TYPES | 06-95→ | 34 | LUCAS | 3384-G | 10514 | P-334601 | 1 | 46,8 |
| | | | | | | 11562 | K-334601 | 1 | 46,8 |
| | ALL TYPES | 01-78→02-87 | 38 | ATE | 3371-G | 10737 | P-383001 | 2 | 30,5 |
| | | | | | | 11656 | K-383001 | 2 | 30,5 |
| | ALL TYPES | 07-78→ | 19 | ATE | 3216-G | | | | |
| | ALL TYPES | | 19 | BEDNIX - BOSCH | 3217-G | | | | |
| | ALL TYPES | 06-95→ | 19 | BEDNIX - BOSCH | 3644-G | | | | |
| | ALL TYPES | 01-78→ | 25,4 | ATE | 3224-G | | | | |
| | ALL TYPES | 01-78→ | 25,4 | BENDIX - BREMBO | 3225-G | | | | |

MITO

| | | | | | | | | | |
|--|----------------------------|--------|----|--------|----------------|-------|------------|---|------|
| | 1.4 TURBO | 09-08→ | 40 | BREMBO | 4932-G | 11670 | P-402904 | 4 | 29 |
| | 0.9 - 1.4 | 09-08→ | 54 | BOSCH | 4632-G | 10568 | P-545201 | 1 | 52,5 |
| | 1.4T - 1.3 JTDM - 1.6 JTDM | 09-08→ | 57 | BOSCH | 4643-G | 10948 | P-575101 | 1 | 51,7 |
| | ALL TYPES | 09-08→ | 10 | BOSCH | 30014-G | | | | |
| | 0.9 | 07-11→ | 38 | LUCAS | 4442-G | 10520 | P-385101 | 1 | 51 |
| | | | | | | 11651 | K-385101 | 1 | 51 |
| | 1.4T | 09-08→ | 38 | BOSCH | 4858-G | 10631 | P-384901 | 1 | 49 |
| | | | | | | 11617 | K-384901-R | 1 | 49 |
| | | | | | | 11616 | K-384901-L | 1 | 49 |
| | ALL TYPES | 09-08→ | 10 | BOSCH | 30057-G | | | | |

MONTREAL

| | | | | | | | | | |
|--|--------------|-------------|------|----------------|---------------|--|--|--|--|
| | 2.6 V8 | 01-70→01-73 | 20,6 | ATE - FAG | 3157-G | | | | |
| | 2.6 (105.64) | 12-72→03-79 | 22,2 | ATE | 3117-G | | | | |
| | 2.6 V8 | 01-73→ | 22,2 | BEDNIX - BOSCH | 3189-G | | | | |
| | 2.6 | 12-72→03-79 | 38 | ATE | 3371-G | | | | |
| | ALL TYPES | 01-70→ | 25,4 | BEDNIX - BOSCH | 3225-G | | | | |

SPEEDSTER RZ

| | | | | | | | | | |
|--|---------------|-------------|------|----------------|---------------|--|--|--|--|
| | 3.0 V6 ZAGATO | 01-92→12-94 | 34 | LUCAS | 3384-G | | | | |
| | 3.0 V6 ZAGATO | 01-92→12-94 | 19 | BEDNIX - BOSCH | 3357-G | | | | |
| | 3.0 V6 ZAGATO | 01-92→12-94 | 19 | ATE | 3388-G | | | | |
| | 3.0 V6 ZAGATO | 01-92→12-94 | 25,4 | BEDNIX - BOSCH | 3225-G | | | | |



Master Cylinder



Front Caliper



Front Wheel Cylinder



Clutch Master Cylinder



Front Caliper Guides



Pressure Regulating Valve



Rear Caliper



Rear Wheel Cylinder



Clutch Slave Cylinder



Rear Caliper Guides



∅
(mm.)

VERSION



ALFA ROMEO

8 of 8

SPIDER

| | | | | | | | | | |
|--|-----------------------------------|-------------|------|----------------|----------------|-------|----------|---|------|
| | ALL TYPES | 01-68→01-93 | 20,6 | ATE - FAG | 3157-G | | | | |
| | ALL TYPES | 01-95→ | 22,2 | BEDNIX - BOSCH | 3583-G | | | | |
| | ALL TYPES | 01-95→ | 22,2 | FAG | 3716-G | | | | |
| | (916S) SERIES 3.0 - 3.2V6 24V | 09-94→04-05 | 38 | BREMBO | 6049-G | 10749 | P-422902 | 2 | 29 |
| | | | | | | | P-382902 | 2 | 29 |
| | (939) SERIES | 09-06→ | 42 | BREMBO | 6050-G | 10780 | P-422902 | 4 | 29 |
| | (105) SERIES | 03-66→12-77 | 48 | ATE | 3356-G | 10821 | P-483001 | 2 | 30 |
| | (115) SERIES | 03-71→12-93 | 48 | ATE | 4257-G | 10822 | P-483001 | 2 | 30 |
| | (916S) SERIES (DISC 22MM) | 05-98→04-05 | 54 | ATE | 3073-G | 10573 | P-545501 | 1 | 55,5 |
| | (916S) SERIES (DISC 20MM) | 09-98→04-05 | | | | 10898 | P-545103 | 1 | 51 |
| | (939) SERIES 2.2JTS | 09-06→ | 12 | ATE | 30023-G | | | | |
| | (916S) SERIES | 09-94→01-05 | 34 | LUCAS | 3384-G | 10514 | P-334601 | 1 | 46,8 |
| | | | | | | 11562 | K-334601 | 1 | 46,8 |
| | (105 - 115) SERIES (SOFT BOOT) | 01-68→01-93 | 38 | ATE | 3371-G | 10737 | P-383001 | 2 | 30,5 |
| | (105 - 115) SERIES (SOFT CAPILER) | | | | | 11656 | K-383001 | 2 | 30,5 |
| | (105) SERIES (HARD BOOT) | 03-66→12-77 | 38 | ATE | 3451-G | 10603 | P-382901 | 2 | 29,9 |
| | (939) SERIES | 09-06→ | 38 | LUCAS | 4442-G | 10520 | P-385101 | 1 | 51 |
| | | | | | | 11651 | K-385101 | 1 | 51 |
| | (939) SERIES | 09-06→ | 41 | LUCAS | 4289-G | 10610 | P-415101 | 1 | 51 |
| | | | | | | 11696 | K-415101 | 1 | 51 |
| | (939) SERIES | 09-06→ | 41 | LUCAS | 6031-G | | | | |
| | (939) SERIES | 09-06→ | 8,4 | LUCAS | 30046-G | | | | |
| | (105 - 115) SERIES | 01-68→12-93 | 17,5 | ATE | 6352-G | | | | |
| | (916S) SERIES | 09-94→04-05 | 19 | BEDNIX - BOSCH | 3644-G | | | | |
| | (916S) SERIES | 09-94→04-05 | 25,4 | BEDNIX - BOSCH | 3225-G | | | | |
| | (115) SERIES | 01-79→01-93 | 25,4 | ATE | 4535-G | | | | |



Master Cylinder



Front Caliper



Front Wheel Cylinder



Clutch Master Cylinder



Front Caliper Guides



Pressure Regulating Valve



Rear Caliper



Rear Wheel Cylinder



Clutch Slave Cylinder



Rear Caliper Guides



∅
(mm.)

VERSION



ARO

1 of 1

240 - 244

| | | | | |
|--|----------------------------|------|-------|----------|
| | 240 - 250 | 25,4 | | 10185-GV |
| | 260 | 27 | LUCAS | 3123-G |
| | 260 (RUBBER CUP/SEAL TYPE) | 28,6 | LUCAS | 2598-G |
| | 240 - 250 | 30 | | 10163-G |
| | 260 | 25,4 | LUCAS | 2573-G |
| | 240 - 250 | 30 | | 10163-G |
| | ALL TYPES | 25,4 | | 10128-GV |
| | ALL TYPES | 30 | | 3323-G |



Master Cylinder



Front Caliper



Front Wheel Cylinder



Clutch Master Cylinder



Front Caliper Guides



Pressure Regulating Valve



Rear Caliper



Rear Wheel Cylinder



Clutch Slave Cylinder



Rear Caliper Guides



∅
(mm.)

VERSION



AUDI

1 of 15

50

| | | | | | | | | | |
|--|--------------------|-------------|-------|-----------|--------|-------|----------|---|------|
| | ALL TYPES (-SERVO) | 01-74→00-78 | 17,5 | FAG | 3191-G | | | | |
| | ALL TYPES (SERVO) | 01-74→01-78 | 20,6 | ATE - FAG | 3157-G | | | | |
| | ALL TYPES | 01-74→01-78 | 44 | ATE | 3163-G | 11275 | P-444601 | 1 | 46,5 |
| | ALL TYPES (-SERVO) | 01-74→01-78 | 14,3 | FAG | 3159-G | | | | |
| | 1.1 | 01-74→01-79 | 14,3 | FAG | 4513-G | | | | |
| | ALL TYPES | 01-74→01-78 | 17,46 | FAG | 4862-G | | | | |
| | ALL TYPES | 01-74→01-78 | 19 | FAG | 3479-G | | | | |

60 - 75

| | | | | | | | | | |
|--|----------------------------|-------------|------|-----|--------|-------|----------|---|----|
| | ALL TYPES (SERVO) | | 19 | ATE | 3373-G | | | | |
| | ALL TYPES | | 19 | ATE | 3374-G | | | | |
| | ALL TYPES (SIMPLE CIRCUIT) | | 19 | ATE | 3390-G | | | | |
| | ALL TYPES | 08-65→08-72 | 48 | ATE | 3356-G | 10821 | P-483001 | 2 | 30 |
| | ALL TYPES | 08-65→01-70 | 14,3 | ATE | 4420-G | | | | |
| | ALL TYPES | 08-65→01-70 | 15,9 | ATE | 4328-G | | | | |
| | VARIANT | 01-66→01-72 | 17,5 | ATE | 4875-G | | | | |

80 (B1 SERIES) 72→78

| | | | | | | | | | |
|--|------------------------------------|-------------|-------|-----------|--------|-------|----------|---|------|
| | ALL TYPES (-SERVO) | 05-72→08-78 | 17,5 | ATE | 3164-G | | | | |
| | 80 L - LS | 09-66→08-68 | 19 | ATE | 3373-G | | | | |
| | ALL TYPES (SERVO) | 05-72→08-78 | 20,6 | ATE - FAG | 3157-G | | | | |
| | ALL TYPES | 05-72→08-78 | 20,6 | FAG | 4649-G | | | | |
| | ALL TYPES (AUTOMATIC TRANSMISSION) | 12-72→07-76 | 44 | ATE | 3163-G | 11754 | P-445301 | 1 | 53 |
| | ALL TYPES | 07-76→08-78 | | | | 11275 | P-444601 | 1 | 46,5 |
| | ALL TYPES (MANUAL TRANSMISSION) | 12-72→07-76 | | | | | P-444601 | 1 | 46,5 |
| | ALL TYPES | 08-65→12-72 | 48 | ATE | 3356-G | 10821 | P-483001 | 2 | 30 |
| | ALL TYPES | 09-66→08-78 | 14,3 | ATE | 3159-G | | | | |
| | SUPER 90 | 09-66→08-71 | 14,3 | ATE | 4420-G | | | | |
| | ALL TYPES | 09-66→08-78 | 17,46 | FAG | 4862-G | | | | |
| | ALL TYPES | | 19 | ATE - FAG | 3350-G | | | | |
| | ALL TYPES | | 22,2 | ATE - FAG | 3351-G | | | | |



Master Cylinder



Front Caliper



Front Wheel Cylinder



Clutch Master Cylinder



Front Caliper Guides



Pressure Regulating Valve



Rear Caliper



Rear Wheel Cylinder



Clutch Slave Cylinder



Rear Caliper Guides

Ø
(mm.)

VERSION



AUDI

2 of 15

80 - 90 (B2 SERIES) 78→86

| | | | | | | | | | |
|--|----------------------|-------------|-------|-----------|----------------|-------|----------|---|------|
| | 90 ALL TYPES | 10-84→03-87 | 20,6 | ATE - FAG | 3157-G | | | | |
| | 80 ALL TYPES | 09-78→09-91 | 20,6 | ATE | 3243-G | | | | |
| | 90 ALL TYPES | 10-84→03-87 | 20,6 | FAG | 4649-G | | | | |
| | 80 1.6 | 09-77→07-79 | 44 | ATE | 3163-G | 11754 | P-445301 | 1 | 53 |
| | 80 1.3 | 09-78→07-81 | | | | 11275 | P-444601 | 1 | 46,5 |
| | 80 ALL TYPES | →08-86 | 48 | LUCAS | 3267-G | 10537 | P-485302 | 1 | 53,6 |
| | 90 ALL TYPES | →08-86 | 54 | LUCAS | 3220-G | 10570 | P-545301 | 1 | 53,7 |
| | 80 ALL TYPES QUATTRO | | | | | | P-545301 | 1 | 53,7 |
| | ALL TYPES | →08-86 | 8 | LUCAS | 30001-G | | | | |
| | ALL TYPES QUATTRO | →08-86 | 8 | LUCAS | 30003-G | | | | |
| | ALL TYPES | 08-78→08-86 | 14,3 | ATE | 3159-G | | | | |
| | ALL TYPES | 08-78→08-86 | 15,9 | FAG | 3480-G | | | | |
| | ALL TYPES | 09-78→08-86 | 17,46 | FAG | 4862-G | | | | |
| | ALL TYPES | 09-78→08-86 | 36 | LUCAS | 3257-G | 10518 | P-364801 | 1 | 48 |
| | 90 2.0 | 03-86→03-87 | 36 | ATE | 4438-G | | | | |
| | 80 2.2 QUATTRO | 08-82→08-83 | 36 | LUCAS | 4989-G | 10733 | P-364801 | 1 | 48 |
| | ALL TYPES | | 19 | ATE - FAG | 3350-G | | | | |
| | ALL TYPES | | 22,2 | ATE - FAG | 3351-G | | | | |

80 - 90 (B3 SERIES) 86→91

| | | | | | | | | | |
|--|-----------------------------|-------------|------|-----------|----------------|-------|----------|---|------|
| | 90 ALL TYPES | 04-87→09-91 | 20,6 | ATE - FAG | 3157-G | | | | |
| | 90 ALL TYPES | 04-87→09-91 | 20,6 | FAG | 4649-G | | | | |
| | 80 ALL TYPES | 09-86→09-91 | 22,2 | LUCAS | 3346-G | | | | |
| | 90 2.3 - 2.3 QUATTRO | 01-90→09-91 | 40 | LUCAS | 3645-G | 10609 | P-455301 | 1 | 53 |
| | | | | | | | P-405301 | 1 | 53 |
| | 90 2.3 - 2.3 QUATTRO | 01-90→09-91 | 40 | LUCAS | 6026-G | | | | |
| | ALL TYPES | 08-86→09-91 | 54 | ATE | 3073-G | 10889 | P-545202 | 1 | 52,4 |
| | ALL TYPES | 08-86→09-91 | 54 | LUCAS | 3220-G | 10570 | P-545301 | 1 | 53,7 |
| | ALL TYPES | 08-86→09-91 | 8 | LUCAS | 30003-G | | | | |
| | ALL TYPES | 08-86→09-91 | 12 | ATE | 30023-G | | | | |
| | ALL TYPES | 08-86→09-91 | 15,9 | FAG | 3480-G | | | | |
| | ALL TYPES (RUBBER CUP TYPE) | 01-87→ | 19 | FAG | 3249-G | | | | |
| | ALL TYPES (ALUMINIUM BODY) | 08-86→08-91 | 19 | FAG | 3479-G | | | | |
| | ALL TYPES | 08-86→09-91 | 36 | LUCAS | 3257-G | 10518 | P-364801 | 1 | 48 |
| | ALL TYPES | 08-86→09-91 | 36 | ATE | 4438-G | | | | |
| | ALL TYPES | 08-86→09-91 | 38 | LUCAS | 3247-G | 10521 | P-385101 | 1 | 51 |
| | | | | | | 11652 | K-385101 | 1 | 51 |
| | ALL TYPES | 08-86→09-91 | 38 | LUCAS | 4981-G | | | | |
| | ALL TYPES | 08-86→09-91 | 8 | LUCAS | 30001-G | | | | |
| | ALL TYPES | | 19 | ATE - FAG | 3350-G | | | | |
| | ALL TYPES | | 22,2 | SACHS | 3468-G | | | | |



Master Cylinder



Front Caliper



Front Wheel Cylinder



Clutch Master Cylinder



Front Caliper Guides



Pressure Regulating Valve



Rear Caliper



Rear Wheel Cylinder



Clutch Slave Cylinder



Rear Caliper Guides

Ø
(mm.)

VERSION



AUDI

3 of 15

80 (B4 SERIES) 91→95

| | | | | | | | | | |
|--|----------------------------|--------|-------|-----------|----------------|-------|----------|---|------|
| | ALL TYPES | 09-91→ | 20,6 | ATE - FAG | 3157-G | | | | |
| | ALL TYPES | 09-91→ | 20,6 | FAG | 4649-G | | | | |
| | ALL TYPES (-ABS) | 09-91→ | 23,8 | ATE | 3666-G | | | | |
| | ALL TYPES | 09-91→ | 23,8 | LUCAS | 4404-G | | | | |
| | ALL TYPES (DISC 25MM) | 09-91→ | 40 | LUCAS | 3645-G | 10609 | P-455301 | 1 | 53 |
| | | | | | | | P-405301 | 1 | 53 |
| | ALL TYPES | 09-91→ | 40 | LUCAS | 6026-G | | | | |
| | ALL TYPES (DISC 1-22MM) | 09-91→ | 54 | LUCAS | 3220-G | 10570 | P-545301 | 1 | 53,7 |
| | ALL TYPES EXCEPT 2.6 - 2.8 | 09-91→ | 8 | LUCAS | 30003-G | | | | |
| | 2.6 - 2.8 | 09-91→ | 10 | LUCAS | 30155-G | | | | |
| | ALL TYPES | 09-91→ | 17,46 | FAG | 4862-G | | | | |
| | ALL TYPES (ALUMINIUM BODY) | 09-91→ | 19 | FAG | 3479-G | | | | |
| | ALL TYPES | 09-91→ | 20,6 | FAG | 3560-G | | | | |
| | ALL TYPES | 09-91→ | 38 | LUCAS | 4770-G | 10523 | P-385101 | 1 | 51 |
| | | | | | | 11170 | K-385101 | 1 | 51 |
| | ALL TYPES | 09-91→ | 8 | LUCAS | 30001-G | | | | |
| | ALL TYPES | | 19 | ATE - FAG | 3350-G | | | | |
| | ALL TYPES | | 22,2 | SACHS | 3468-G | | | | |

100 (C1 SERIES) 68→76

| | | | | | | | | | |
|--|-----------|-------------|------|-----------|---------------|-------|----------|---|----|
| | ALL TYPES | 01-68→07-76 | 20,6 | ATE - FAG | 3157-G | | | | |
| | ALL TYPES | 01-68→07-76 | 20,6 | FAG | 4649-G | | | | |
| | ALL TYPES | 11-68→07-76 | 23,8 | ATE - FAG | 3176-G | | | | |
| | AUTOMATIC | 01-75→12-76 | 48 | ATE | 3079-G | | | | |
| | AUTOMATIC | 11-68→12-74 | 48 | ATE | 3356-G | 10821 | P-483001 | 2 | 30 |
| | ALL TYPES | 11-68→01-73 | 15,9 | ATE | 4328-G | | | | |
| | ALL TYPES | 01-73→12-76 | 15,9 | ATE | 4870-G | | | | |
| | ALL TYPES | 11-68→12-76 | 19 | ATE - FAG | 3350-G | | | | |

100 (C2 SERIES) 76→82

| | | | | | | | | | |
|--|-----------|-------------|------|-----------|----------------|-------|----------|---|------|
| | ALL TYPES | 07-77→02-83 | 22,2 | ATE | 3117-G | | | | |
| | ALL TYPES | 07-77→02-83 | 23,8 | ATE - FAG | 3176-G | | | | |
| | ALL TYPES | 06-76→02-83 | 48 | ATE | 3079-G | | | | |
| | ALL TYPES | 06-76→02-83 | 48 | LUCAS | 3267-G | 10537 | P-485302 | 1 | 53,6 |
| | ALL TYPES | 06-76→02-83 | 54 | LUCAS | 3220-G | 11387 | P-545401 | 1 | 54,3 |
| | ALL TYPES | 06-76→02-83 | 8 | LUCAS | 30003-G | | | | |
| | ALL TYPES | 06-76→02-83 | 15,9 | FAG | 3248-G | | | | |
| | ALL TYPES | 06-76→02-83 | 17,5 | FAG | 3519-G | | | | |
| | ALL TYPES | 06-76→02-83 | 19 | ATE - FAG | 3350-G | | | | |
| | ALL TYPES | 06-76→02-83 | 19 | SACHS | 3472-G | | | | |
| | ALL TYPES | 06-76→02-83 | 22,2 | ATE - FAG | 3351-G | | | | |



Master Cylinder



Front Caliper



Front Wheel Cylinder



Clutch Master Cylinder



Front Caliper Guides



Pressure Regulating Valve



Rear Caliper



Rear Wheel Cylinder



Clutch Slave Cylinder



Rear Caliper Guides



∅
(mm.)

VERSION



AUDI

4 of 15

100 (C3 SERIES) 82→90

| | | | | | | | | | |
|--|-------------------------------|-------------|------|-----------|----------------|-------|----------|---|------|
| | ALL TYPES | | 22,2 | LUCAS | 3346-G | | | | |
| | ALL TYPES | 08-82→07-91 | 23,8 | ATE - FAG | 3176-G | | | | |
| | 2.2 - 2.3 | 08-82→07-91 | 23,8 | ATE | 4683-G | | | | |
| | 2.1 - 2.2 - 2.3 | 08-82→07-91 | 25,4 | ATE | 4691-G | | | | |
| | ALL TYPES | 08-82→07-91 | 40 | LUCAS | 3645-G | 10609 | P-455301 | 1 | 53 |
| | | | | | | | P-405301 | 1 | 53 |
| | ALL TYPES | 08-82→07-91 | 40 | LUCAS | 6026-G | | | | |
| | ALL TYPES | 08-82→07-91 | 48 | LUCAS | 3267-G | 10537 | P-485302 | 1 | 53,6 |
| | ALL TYPES | 08-82→07-91 | 54 | ATE | 3073-G | 10889 | P-545202 | 1 | 52,4 |
| | ALL TYPES | 08-82→07-91 | 54 | LUCAS | 3220-G | 10570 | P-545301 | 1 | 53,7 |
| | ALL TYPES | 08-82→07-91 | 57 | ATE | 3391-G | 10582 | P-575501 | 1 | 55,2 |
| | ALL TYPES | 08-82→07-91 | 57 | ATE | 4983-G | | | | |
| | 2.2 - 2.3 | 08-82→07-91 | 60 | ATE | 3133-G | 11449 | P-605102 | 1 | 51 |
| | ALL TYPES | 08-82→07-91 | 8 | LUCAS | 30003-G | | | | |
| | ALL TYPES | 08-82→07-91 | 12 | ATE | 30023-G | | | | |
| | ALL TYPES | 08-82→07-91 | 15,9 | FAG | 3248-G | | | | |
| | ALL TYPES | 08-82→07-91 | 17,5 | FAG | 3519-G | | | | |
| | ALL TYPES (CH. 44-E-000 001→) | 08-82→07-91 | 36 | LUCAS | 3257-G | 10518 | P-364801 | 1 | 48 |
| | ALL TYPES | 08-82→07-91 | 36 | ATE | 4438-G | | | | |
| | ALL TYPES (→CH. 44-D-200 000) | 08-82→07-91 | 36 | LUCAS | 4989-G | 10733 | P-364801 | 1 | 48 |
| | ALL TYPES | 08-82→07-91 | 38 | LUCAS | 3247-G | 10521 | P-385101 | 1 | 51 |
| | | | | | | 11652 | K-385101 | 1 | 51 |
| | ALL TYPES | 08-82→07-91 | 38 | LUCAS | 4981-G | | | | |
| | S4 - AVANT | 08-82→07-91 | 43 | LUCAS | 3439-G | 10689 | P-425102 | 1 | 51,3 |
| | | | | | | 11747 | K-425102 | 1 | 51,3 |
| | S4 - AVANT | 08-82→07-91 | 43 | LUCAS | 6019-G | | | | |
| | ALL TYPES | 08-82→07-91 | 8 | LUCAS | 30001-G | | | | |
| | ALL TYPES | 08-82→07-91 | 19 | ATE - FAG | 3350-G | | | | |
| | ALL TYPES | 08-82→07-91 | 19 | SACHS | 3472-G | | | | |
| | ALL TYPES | 08-82→07-91 | 22,2 | ATE - FAG | 3351-G | | | | |



Master Cylinder



Front Caliper



Front Wheel Cylinder



Clutch Master Cylinder



Front Caliper Guides



Pressure Regulating Valve



Rear Caliper



Rear Wheel Cylinder



Clutch Slave Cylinder



Rear Caliper Guides

Ø
(mm.)

VERSION



AUDI

5 of 15

100 (C4 SERIES) 90→95

| | | | | | | | | | |
|--|------------------------------|-------------|------|-----------|----------------|-------|----------|---|------|
| | ALL TYPES → CH. 44-M-050 000 | | 22,2 | LUCAS | 3346-G | | | | |
| | ALL TYPES → CH. 44-M-050 000 | 12-90→11-94 | 23,8 | ATE - FAG | 3176-G | | | | |
| | ALL TYPES (-ABS) | 12-90→11-94 | 23,8 | ATE | 3666-G | | | | |
| | ALL TYPES (ABS) | 12-90→11-94 | 23,8 | LUCAS | 3944-G | | | | |
| | ALL TYPES | 12-90→11-94 | 23,8 | LUCAS | 4404-G | | | | |
| | ALL TYPES (→CH.44-M-050 000) | 12-90→11-94 | 25,4 | ATE | 4691-G | | | | |
| | S4 | 12-90→11-94 | 43 | LUCAS | 4291-G | | | | |
| | S4 | 12-90→11-94 | 43 | LUCAS | 6271-G | 10786 | P-435501 | 2 | 55 |
| | ALL TYPES EXCEPT S4 | 12-90→11-94 | 57 | ATE | 3391-G | 10582 | P-575501 | 1 | 55,2 |
| | S4 - AVANT | 12-90→11-94 | 60 | ATE | 4784-G | 10987 | P-604901 | 1 | 49 |
| | ALL TYPES | 12-90→11-94 | 12 | ATE | 30023-G | | | | |
| | ALL TYPES (-ABS) | 12-90→11-94 | 20,6 | FAG | 3560-G | | | | |
| | ALL TYPES | 12-90→11-94 | 36 | LUCAS | 3257-G | 10518 | P-364801 | 1 | 48 |
| | ALL TYPES | 12-90→02-93 | 38 | LUCAS | 3247-G | 10521 | P-385101 | 1 | 51 |
| | | | | | | 11652 | K-385101 | 1 | 51 |
| | ALL TYPES | 02-93→11-94 | 38 | LUCAS | 4770-G | 10523 | P-385101 | 1 | 51 |
| | | | | | | 11170 | K-385101 | 1 | 51 |
| | S4 - AVANT | 12-90→11-94 | 43 | LUCAS | 3439-G | 10689 | P-425102 | 1 | 51,3 |
| | | | | | | 11747 | K-425102 | 1 | 51,3 |
| | ALL TYPES | 12-90→11-94 | 8 | LUCAS | 30001-G | | | | |
| | ALL TYPES | 12-90→11-94 | 19 | ATE - FAG | 3350-G | | | | |
| | ALL TYPES | 12-90→11-94 | 19 | SACHS | 3472-G | | | | |
| | ALL TYPES | 12-90→11-94 | 22,2 | SACHS | 3468-G | | | | |

200

| | | | | | | | | | |
|--|-----------|-------------|------|-------------------|----------------|-------|----------|---|------|
| | ALL TYPES | 08-78→09-91 | 23,8 | ATE - FAG | 3176-G | | | | |
| | ALL TYPES | 08-78→09-91 | 25,4 | ATE | 4691-G | | | | |
| | ALL TYPES | 08-78→09-91 | 40 | LUCAS | 3645-G | 10609 | P-455301 | 1 | 53 |
| | | | | | | | P-405301 | 1 | 53 |
| | ALL TYPES | 08-78→09-91 | 40 | LUCAS | 6026-G | | | | |
| | ALL TYPES | 08-78→07-83 | 54 | LUCAS | 3220-G | 11387 | P-545401 | 1 | 54,3 |
| | | 08-83→12-85 | | | | 10570 | P-545301 | 1 | 53,7 |
| | ALL TYPES | 08-78→09-91 | 60 | ATE | 3133-G | 11449 | P-605102 | 1 | 51 |
| | ALL TYPES | 08-78→09-91 | 8 | LUCAS | 30003-G | | | | |
| | ALL TYPES | 08-78→09-91 | 12 | ATE | 30023-G | | | | |
| | ALL TYPES | 08-83→09-91 | 36 | LUCAS | 3257-G | 10518 | P-364801 | 1 | 48 |
| | ALL TYPES | 01-83→01-88 | 36 | ATE | 4438-G | | | | |
| | 2.2 TURBO | 08-78→09-82 | 36 | LUCAS | 4989-G | 10733 | P-364801 | 1 | 48 |
| | ALL TYPES | 08-83→09-91 | 38 | LUCAS | 3247-G | 10521 | P-385101 | 1 | 51 |
| | | | | | | 11652 | K-385101 | 1 | 51 |
| | ALL TYPES | 08-83→09-91 | 43 | LUCAS | 3439-G | 10689 | P-425102 | 1 | 51,3 |
| | | | | | | 11747 | K-425102 | 1 | 51,3 |
| | ALL TYPES | 08-83→09-91 | 43 | LUCAS | 6019-G | | | | |
| | ALL TYPES | 08-78→09-91 | 8 | LUCAS | 30001-G | | | | |
| | ALL TYPES | 08-78→09-91 | 19 | ATE - FAG | 3350-G | | | | |
| | ALL TYPES | 08-78→09-91 | 19 | ATE - FAG - SACHS | 3472-G | | | | |
| | ALL TYPES | | 22,2 | ATE - FAG | 3351-G | | | | |



Master Cylinder



Front Caliper



Front Wheel Cylinder



Clutch Master Cylinder



Front Caliper Guides



Pressure Regulating Valve



Rear Caliper



Rear Wheel Cylinder



Clutch Slave Cylinder



Rear Caliper Guides



∅
(mm.)

VERSION



AUDI

6 of 15

A1

| | | | | | | | | | |
|--|-----------------------|--------|----|-------|----------------|-------|----------|---|------|
| | ALL TYPES (DISC 22MM) | 05-10→ | 54 | ATE | 3073-G | 10900 | P-545801 | 1 | 58,5 |
| | ALL TYPES (DISC 25MM) | 05-10→ | 54 | ATE | 4318-G | 10890 | P-545502 | 1 | 55,5 |
| | ALL TYPES | 05-10→ | 12 | ATE | 30023-G | | | | |
| | ALL TYPES | 05-10→ | 38 | LUCAS | 4442-G | 10520 | P-385101 | 1 | 51 |
| | ALL TYPES | 05-10→ | 8 | LUCAS | 30050-G | 11651 | K-385101 | 1 | 51 |

A2

| | | | | | | | | | |
|--|-------------------------------------|-------------|-------|-------|----------------|-------|----------|---|------|
| | ALL TYPES | 02-00→ | 22,2 | ATE | 4963-G | | | | |
| | 1.2 TDI | 03-01→08-05 | 48 | ATE | 4776-G | 10845 | P-484805 | 1 | 48,3 |
| | ALL TYPES EXCEPT 1.2 TDI | 02-00→08-05 | 54 | ATE | 3073-G | 10900 | P-545801 | 1 | 58,5 |
| | ALL TYPES EXCEPT 1.2 TDI | 02-00→08-05 | 12 | ATE | 30023-G | | | | |
| | 1.2 TDI | 03-01→08-05 | 15,9 | FAG | 3480-G | | | | |
| | 1.4 | 02-00→08-05 | 17,46 | FAG | 4862-G | | | | |
| | ALL TYPES EXCEPT 1.2 TDI (DISC 9MM) | 05-02→08-05 | 34 | TRW | 6007-G | 10677 | P-334601 | 1 | 46,8 |
| | ALL TYPES EXCEPT 1.2 TDI | 05-02→08-05 | 34 | TRW | 6008-G | 11563 | K-334601 | 1 | 46,8 |
| | ALL TYPES EXCEPT 1.2 TDI | 05-00→08-05 | 8 | TRW | 30004-G | | | | |
| | ALL TYPES | 02-00→08-05 | 19 | FAG | 4253-G | | | | |
| | ALL TYPES | 02-00→08-05 | 19 | SACHS | 4994-G | | | | |

A3 (8L SERIES) 96→03

| | | | | | | | | | |
|--|-------------------------------|-------------|------|----------------|----------------|-------|----------|---|------|
| | ALL TYPES | 09-96→05-03 | 23,8 | BEDNIX - BOSCH | 4132-G | | | | |
| | ALL TYPES (ABS) | 09-96→05-03 | 23,8 | ATE | 4806-G | | | | |
| | ALL TYPES | 09-96→05-03 | 54 | ATE | 3073-G | 10900 | P-545801 | 1 | 58,5 |
| | ALL TYPES | 09-96→05-03 | 12 | ATE | 30023-G | | | | |
| | ALL TYPES EXCEPT 1.8T QUATTRO | 09-96→05-03 | 38 | LUCAS | 4442-G | 10520 | P-385101 | 1 | 51 |
| | ALL TYPES EXCEPT 1.8T QUATTRO | 09-96→05-03 | 8 | LUCAS | 30004-G | 11651 | K-385101 | 1 | 51 |
| | 1.8T QUATTRO | 09-96→05-03 | 41 | LUCAS | 4289-G | 10610 | P-415101 | 1 | 51 |
| | 1.8T QUATTRO | 09-96→05-03 | 41 | LUCAS | 6031-G | 11696 | K-415101 | 1 | 51 |
| | ALL TYPES EXCEPT 1.8T QUATTRO | 09-96→05-03 | 8 | LUCAS | 30004-G | | | | |
| | 1.8T QUATTRO | 09-96→05-03 | 8 | LUCAS | 30050-G | | | | |
| | ALL TYPES | 09-96→05-03 | 19 | FAG | 4253-G | | | | |
| | ALL TYPES | 09-96→05-03 | 23,8 | FAG | 4251-G | | | | |



Master Cylinder



Front Caliper



Front Wheel Cylinder



Clutch Master Cylinder



Front Caliper Guides



Pressure Regulating Valve



Rear Caliper



Rear Wheel Cylinder



Clutch Slave Cylinder



Rear Caliper Guides



Ø
(mm.)

VERSION



AUDI

7 of 15

A3 (8P SERIES) 02→12

| | | | | | | | | | |
|--|-------------------------|-------------|------|-------|----------------|-------|------------|---|------|
| | ALL TYPES | 05-03→05-13 | 22,2 | BOSCH | 6200-G | | | | |
| | ALL TYPES (ABS) | 05-03→05-13 | 23,8 | ATE | 4806-G | | | | |
| | ALL TYPES (DISC 22MM) | 05-03→05-13 | 54 | ATE | 3073-G | 10900 | P-545801 | 1 | 58,5 |
| | ALL TYPES (DISC 25MM) | 05-03→05-13 | 54 | ATE | 4318-G | 10890 | P-545502 | 1 | 55,5 |
| | ALL TYPES | 05-03→05-13 | 54 | ATE | 6033-G | | | | |
| | ALL TYPES | 05-03→05-13 | 57 | ATE | 4768-G | 10932 | P-575503 | 1 | 55,5 |
| | ALL TYPES | 05-03→05-13 | 12 | ATE | 30023-G | | | | |
| | ALL TYPES | 05-03→05-13 | 38 | LUCAS | 4442-G | 10520 | P-385101 | 1 | 51 |
| | | | | | | 11651 | K-385101 | 1 | 51 |
| | CABRIO | 04-08→05-13 | 38 | BOSCH | 4858-G | 10631 | P-384901 | 1 | 49 |
| | | | | | | 11617 | K-384901-R | 1 | 49 |
| | | | | | | 11616 | K-384901-L | 1 | 49 |
| | ALL TYPES | 05-03→05-13 | 41 | LUCAS | 4289-G | 10610 | P-415101 | 1 | 51 |
| | | | | | | 11696 | K-415101 | 1 | 51 |
| | ALL TYPES | 05-03→05-13 | 41 | LUCAS | 6031-G | | | | |
| | ALL TYPES EXCEPT CABRIO | 05-03→05-13 | 8 | LUCAS | 30004-G | | | | |
| | CABRIO | 05-03→05-13 | 10 | BOSCH | 30014-G | | | | |
| | ALL TYPES | 05-03→05-13 | 15,9 | SACHS | 4913-G | | | | |
| | ALL TYPES | 05-03→08-12 | 19 | SACHS | 4994-G | | | | |

A3 (8V SERIES) 04-12→

| | | | | | | | | | |
|--|--------------------------------|--------|----|-----|----------------|-------|----------|---|------|
| | ALL TYPES | 04-12→ | 57 | TRW | 6063-G | 10938 | P-575401 | 1 | 54,8 |
| | ALL TYPES | 04-12→ | 10 | TRW | 30152-G | | | | |
| | ALL TYPES (ELECTRIC HANDBRAKE) | 04-12→ | 38 | ATE | 6244-G | | | | |
| | ALL TYPES (ELECTRIC HANDBRAKE) | 04-12→ | 42 | ATE | 6257-G | | | | |



Master Cylinder



Front Caliper



Front Wheel Cylinder



Clutch Master Cylinder



Front Caliper Guides



Pressure Regulating Valve



Rear Caliper



Rear Wheel Cylinder



Clutch Slave Cylinder



Rear Caliper Guides



Ø
(mm.)

VERSION



AUDI

8 of 15

A4 (B5 SERIES) 94→01

| | | | | | | | | | |
|--|-------------------------------|-------------|------|-------------|----------------|-------|----------|---|------|
| | ALL TYPES QUATTRO | 11-94→07-97 | 23,8 | LUCAS | 3467-G | | | | |
| | ALL TYPES | 11-94→09-01 | 25,4 | LUCAS | 4137-G | | | | |
| | S4 - QUATTRO | 11-94→09-01 | 43 | LUCAS | 4291-G | | | | |
| | S4 - QUATTRO | 09-97→09-01 | 43 | LUCAS | 6270-G | 11272 | P-435501 | 2 | 55 |
| | S4 - QUATTRO | 11-94→09-01 | 43 | LUCAS | 6271-G | 10786 | P-435501 | 2 | 55 |
| | ALL TYPES (DISC 13MM) | 11-94→09-01 | 54 | LUCAS | 3220-G | 10570 | P-545301 | 1 | 53,7 |
| | ALL TYPES (DISC 22MM) | 11-94→09-01 | 54 | LUCAS | 4745-G | 10572 | P-545301 | 1 | 53,7 |
| | ALL TYPES | 11-94→09-01 | 57 | ATE | 3391-G | 10582 | P-575501 | 1 | 55,2 |
| | ALL TYPES | 11-94→09-01 | 57 | ATE | 4983-G | | | | |
| | ALL TYPES | 11-94→06-97 | 8 | LUCAS | 30003-G | | | | |
| | ALL TYPES (DISC 22MM) | 11-94→11-03 | 10 | LUCAS | 30041-G | | | | |
| | ALL TYPES | 11-94→ | 12 | ATE | 30023-G | | | | |
| | ALL TYPES | 11-94→09-01 | 38 | LUCAS | 4770-G | 10523 | P-385101 | 1 | 51 |
| | | | | | | 11170 | K-385101 | 1 | 51 |
| | ALL TYPES | 11-94→ | 38 | LUCAS | 4977-G | | | | |
| | ALL TYPES | 11-94→09-01 | 43 | LUCAS | 4893-G | 10659 | P-425102 | 1 | 51,3 |
| | | | | | | 11748 | K-425102 | 1 | 51,3 |
| | ALL TYPES (→CH.8D-V-168 350) | 11-94→09-01 | 8 | LUCAS | 30001-G | | | | |
| | ALL TYPES (CH.8D-V-168 351 →) | 11-94→ | 8 | LUCAS | 30004-G | | | | |
| | ALL TYPES | | 19 | FAG - SACHS | 3469-G | | | | |
| | ALL TYPES (CH.→ 8D-V-180 000) | | 22,2 | SACHS | 3468-G | | | | |
| | ALL TYPES (8D-V-180 000→) | 11-94→ | 22,2 | SACHS | 4520-G | | | | |

A4 (B6 SERIES) 01→05

| | | | | | | | | | |
|--|-----------|-------------|------|-------|----------------|-------|----------|---|------|
| | ALL TYPES | 11-00→10-04 | 25,4 | LUCAS | 6183-G | | | | |
| | ALL TYPES | | 54 | LUCAS | 4745-G | 10572 | P-545301 | 1 | 53,7 |
| | ALL TYPES | | 57 | ATE | 3391-G | 10582 | P-575501 | 1 | 55,2 |
| | ALL TYPES | | 57 | ATE | 4983-G | | | | |
| | ALL TYPES | 11-00→10-04 | 60 | ATE | 4565-G | 10969 | P-605501 | 1 | 55,5 |
| | ALL TYPES | | 12 | ATE | 30023-G | | | | |
| | ALL TYPES | 11-00→ | 38 | LUCAS | 4442-G | 10520 | P-385101 | 1 | 51 |
| | | | | | | 11651 | K-385101 | 1 | 51 |
| | S4 | 11-00→10-04 | 43 | LUCAS | 4893-G | 10659 | P-425102 | 1 | 51,3 |
| | | | | | | 11748 | K-425102 | 1 | 51,3 |
| | ALL TYPES | | 8 | LUCAS | 30004-G | | | | |
| | S4 | 03-03→ | 10 | LUCAS | 30041-G | | | | |



Master Cylinder



Front Caliper



Front Wheel Cylinder



Clutch Master Cylinder



Front Caliper Guides



Pressure Regulating Valve



Rear Caliper



Rear Wheel Cylinder



Clutch Slave Cylinder



Rear Caliper Guides



∅
(mm.)

VERSION



AUDI

9 of 15

A4 (B7 SERIES) 05→07

| | | | | | | | | | |
|--|--------------------|-------------|------|--------|----------------|-------|----------|---|------|
| | ALL TYPES | | 25,4 | LUCAS | 6183-G | | | | |
| | RS4 (DISC 365X34M) | | 28 | BREMBO | 6373-G | | | | |
| | ALL TYPES | | 54 | LUCAS | 4745-G | 10572 | P-545301 | 1 | 53,7 |
| | ALL TYPES | | 57 | ATE | 3391-G | 10582 | P-575501 | 1 | 55,2 |
| | ALL TYPES | | 57 | ATE | 4983-G | | | | |
| | ALL TYPES | 11-04→03-09 | 60 | ATE | 4565-G | 10969 | P-605501 | 1 | 55,5 |
| | ALL TYPES | | 12 | ATE | 30023-G | | | | |
| | ALL TYPES | 11-04→ | 38 | LUCAS | 4442-G | 10520 | P-385101 | 1 | 51 |
| | | | | | | 11651 | K-385101 | 1 | 51 |
| | ALL TYPES | 11-04→03-09 | 41 | LUCAS | 4289-G | 10610 | P-415101 | 1 | 51 |
| | | | | | | 11696 | K-415101 | 1 | 51 |
| | ALL TYPES | 11-04→03-09 | 41 | LUCAS | 6031-G | | | | |
| | ALL TYPES | | 43 | LUCAS | 4893-G | 10659 | P-425102 | 1 | 51,3 |
| | | | | | | 11748 | K-425102 | 1 | 51,3 |
| | ALL TYPES | | 8 | LUCAS | 30004-G | | | | |

A4 (B8 SERIES) 08→

| | | | | | | | | | |
|--|--------------------------------|--------|----|-----|----------------|-------|----------|---|----|
| | ALL TYPES | 11-07→ | 57 | TRW | 6313-G | 11444 | P-575306 | 1 | 53 |
| | ALL TYPES | 11-07→ | 14 | TRW | 30103-G | | | | |
| | ALL TYPES (ELECTRIC HANDBRAKE) | 11-07→ | 43 | TRW | 6127-G | 11736 | P-435201 | 1 | 52 |

A5

| | | | | | | | | | |
|--|--------------------------------|--------|----|-----|----------------|-------|----------|---|------|
| | ALL TYPES | 06-07→ | 57 | ATE | 4768-G | 10589 | P-575504 | 1 | 55,4 |
| | ALL TYPES | 06-07→ | 57 | TRW | 6313-G | 11444 | P-575306 | 1 | 53 |
| | ALL TYPES | 06-07→ | 12 | ATE | 30023-G | | | | |
| | ALL TYPES | 06-07→ | 14 | TRW | 30103-G | | | | |
| | ALL TYPES (ELECTRIC HANDBRAKE) | 06-07→ | 43 | TRW | 6127-G | 11736 | P-435201 | 1 | 52 |
| | ALL TYPES | 06-07→ | 8 | TRW | 30004-G | | | | |
| | S5 | 06-07→ | 10 | TRW | 30041-G | | | | |



Master Cylinder



Front Caliper



Front Wheel Cylinder



Clutch Master Cylinder



Front Caliper Guides



Pressure Regulating Valve



Rear Caliper



Rear Wheel Cylinder



Clutch Slave Cylinder



Rear Caliper Guides

Ø
(mm.)

VERSION



AUDI

10 of 15

A6 (C4 SERIES) 94→97

| | | | | | | | | | |
|--|-----------------------------|-------------|------|-------|----------------|-------|----------|---|------|
| | ALL TYPES (ABS) (ASD) (EDS) | 06-94→12-97 | 23,8 | LUCAS | 3473-G | | | | |
| | ALL TYPES | 06-94→12-97 | 23,8 | ATE | 3666-G | | | | |
| | ALL TYPES | 06-94→12-97 | 23,8 | LUCAS | 4404-G | | | | |
| | S6 | 06-94→12-97 | 43 | LUCAS | 4291-G | | | | |
| | S6 | 06-94→10-97 | 43 | LUCAS | 6271-G | 10786 | P-435501 | 2 | 55 |
| | ALL TYPES | 06-94→12-97 | 57 | ATE | 3391-G | 10582 | P-575501 | 1 | 55,2 |
| | ALL TYPES | 06-94→12-97 | 57 | ATE | 4983-G | | | | |
| | ALL TYPES EXCEPT S6 | 06-94→12-97 | 12 | ATE | 30023-G | | | | |
| | QUATTRO | 06-94→12-97 | 38 | LUCAS | 3247-G | 10521 | P-385101 | 1 | 51 |
| | | | | | | 11652 | K-385101 | 1 | 51 |
| | ALL TYPES EXCEPT QUATTRO | 06-94→12-97 | 38 | LUCAS | 4770-G | 10523 | P-385101 | 1 | 51 |
| | | | | | | 11170 | K-385101 | 1 | 51 |
| | ALL TYPES EXCEPT QUATTRO | 06-94→12-97 | 38 | LUCAS | 4977-G | | | | |
| | S6 | 06-94→12-97 | 43 | LUCAS | 3439-G | 10689 | P-425102 | 1 | 51,3 |
| | | | | | | 11747 | K-425102 | 1 | 51,3 |
| | S6 | 06-94→02-97 | 43 | LUCAS | 6019-G | | | | |
| | ALL TYPES | 06-94→12-97 | 8 | LUCAS | 30001-G | | | | |
| | ALL TYPES (RHD) | 06-94→12-97 | 19 | SACHS | 3472-G | | | | |
| | ALL TYPES | 06-94→12-97 | 22,2 | SACHS | 3468-G | | | | |

A6 (C5 SERIES) 97→04

| | | | | | | | | | |
|--|------------------------------|-------------|------|-------|----------------|-------|----------|---|------|
| | ALL TYPES | 01-97→01-05 | 23,8 | LUCAS | 3467-G | | | | |
| | ALL TYPES | 01-97→01-05 | 25,4 | LUCAS | 4137-G | | | | |
| | QUATTRO (CH.48-X-060 001 →) | 01-97→01-05 | 43 | LUCAS | 6270-G | 11272 | P-435501 | 2 | 55 |
| | QUATTRO (→ CH.48-X-060 000) | 01-97→01-02 | 43 | LUCAS | 6271-G | 10786 | P-435501 | 2 | 55 |
| | ALL TYPES | 01-97→01-05 | 57 | ATE | 3391-G | 10582 | P-575501 | 1 | 55,2 |
| | ALL TYPES | 01-97→01-05 | 57 | ATE | 4983-G | | | | |
| | ALL TYPES | 01-97→01-05 | 60 | ATE | 4565-G | 10969 | P-605501 | 1 | 55,5 |
| | ALL TYPES EXCEPT QUATTRO | 01-97→01-05 | 12 | ATE | 30023-G | | | | |
| | ALL TYPES V4 - V6 | 01-97→01-05 | 38 | LUCAS | 4442-G | 10520 | P-385101 | 1 | 51 |
| | | | | | | 11651 | K-385101 | 1 | 51 |
| | ALL TYPES V8 | 01-97→01-05 | 43 | LUCAS | 4893-G | 10659 | P-425102 | 1 | 51,3 |
| | | | | | | 11748 | K-425102 | 1 | 51,3 |
| | ALL TYPES V4 - V6 | 01-97→01-05 | 8 | LUCAS | 30004-G | | | | |
| | 1.9 TDI | 01-97→01-05 | 19 | FAG | 3469-G | | | | |
| | 1.9 TDI | 01-97→01-05 | 22,2 | SACHS | 3468-G | | | | |
| | ALL TYPES | 01-97→01-05 | 22,2 | SACHS | 4520-G | | | | |



Master Cylinder



Front Caliper



Front Wheel Cylinder



Clutch Master Cylinder



Front Caliper Guides



Pressure Regulating Valve



Rear Caliper



Rear Wheel Cylinder



Clutch Slave Cylinder



Rear Caliper Guides

∅
(mm.)

VERSION



AUDI

11 of 15

A6 (C6 SERIES) 04→11

| | | | | | | | | | |
|--|-------------------------|-------------|------|--------|----------------|-------|----------|---|------|
| | ALL TYPES | 05-04→08-11 | 25,4 | LUCAS | 6183-G | | | | |
| | RS6 (DISC 365X34M) | | 28 | BREMBO | 6373-G | | | | |
| | ALL TYPES (ARMORED CAR) | 05-04→08-11 | 42 | ATE | 4971-G | 11722 | P-425502 | 2 | 55,5 |
| | ALL TYPES | 05-04→08-11 | 57 | ATE | 3391-G | 10582 | P-575501 | 1 | 55,2 |
| | ALL TYPES | 05-04→08-11 | 57 | ATE | 4983-G | | | | |
| | ALL TYPES | 05-04→08-11 | 60 | ATE | 4565-G | 10969 | P-605501 | 1 | 55,5 |
| | ALL TYPES | 05-04→08-11 | 12 | ATE | 30023-G | | | | |
| | ALL TYPES (DISC 12MM) | 05-04→08-11 | 41 | TRW | 6085-G | 11207 | P-415201 | 1 | 52 |
| | ALL TYPES (DISC 22MM) | 05-04→08-11 | 43 | TRW | 6127-G | 11736 | P-435201 | 1 | 52 |
| | ALL TYPES (DISC 22MM) | 05-04→08-11 | 10 | TRW | 30041-G | | | | |

A6 (C7 SERIES) 11→

| | | | | | | | | | |
|--|--------------------------------|--------|----|--------|----------------|-------|----------|---|------|
| | ALL TYPES STEEL DISC | 11-10→ | 32 | BREMBO | 6220-G | 11532 | P-383103 | 2 | 31,5 |
| | | | | | | | P-343101 | 2 | 31,5 |
| | | | | | | | P-323101 | 2 | 31,5 |
| | ALL TYPES CERAMIC DISKS | 11-10→ | 34 | BREMBO | 6227-G | 11555 | P-363101 | 4 | 31,5 |
| | | | | | | | P-343101 | 2 | 31,5 |
| | ALL TYPES (DISC 356MM) | 03-11→ | 42 | ATE | 6251-G | 11723 | P-425502 | 2 | 55,5 |
| | ALL TYPES (DISC 345MM) | 11-10→ | 60 | TRW | 6178-G | 11466 | P-605304 | 1 | 53,5 |
| | ALL TYPES (DISC 345MM) | 11-10→ | 14 | TRW | 30103-G | | | | |
| | ALL TYPES | 03-11→ | 16 | ATE | 30148-G | | | | |
| | ALL TYPES (ELECTRIC HANDBRAKE) | 11-10→ | 43 | TRW | 6127-G | 11736 | P-435201 | 1 | 52 |
| | ALL TYPES | 11-10→ | 10 | TRW | 30041-G | | | | |

A7

| | | | | | | | | | |
|--|-------------------------|--------|----|--------|----------------|-------|----------|---|------|
| | ALL TYPES STEEL DISC | 11-10→ | 32 | BREMBO | 6220-G | 11532 | P-383103 | 2 | 31,5 |
| | | | | | | | P-343101 | 2 | 31,5 |
| | | | | | | | P-323101 | 2 | 31,5 |
| | ALL TYPES CERAMIC DISCS | 11-10→ | 34 | BREMBO | 6227-G | 11555 | P-363101 | 4 | 31,5 |
| | | | | | | | P-343101 | 2 | 31,5 |
| | ALL TYPES | 07-10→ | 60 | TRW | 6178-G | 11466 | P-605304 | 1 | 53,5 |
| | ALL TYPES | 07-10→ | 14 | TRW | 30103-G | | | | |
| | SPORTBACK | 10-10→ | 8 | LUCAS | 30004-G | | | | |
| | SPORTBACK | 10-10→ | 10 | LUCAS | 30041-G | | | | |



Master Cylinder



Front Caliper



Front Wheel Cylinder



Clutch Master Cylinder



Front Caliper Guides



Pressure Regulating Valve



Rear Caliper



Rear Wheel Cylinder



Clutch Slave Cylinder



Rear Caliper Guides

∅
(mm.)

VERSION



AUDI

12 of 15

A8 (4D SERIES) 94→03

| | | | | | | | | | |
|--|-------------------------------|-------------|------|-------|----------------|-------|----------|---|------|
| | QUATTRO | 03-94→12-02 | 42 | ATE | 4971-G | 11722 | P-425502 | 2 | 55,5 |
| | ALL TYPES | 03-94→09-02 | 43 | LUCAS | 4291-G | | | | |
| | ALL TYPES (CH.4D-X-005 001 →) | 05-99→09-02 | 43 | LUCAS | 6270-G | 11272 | P-435501 | 2 | 55 |
| | ALL TYPES (→CH. 4D-X-004 999) | 03-94→05-99 | 43 | LUCAS | 6271-G | 10786 | P-435501 | 2 | 55 |
| | ALL TYPES | 01-94→09-02 | 38 | LUCAS | 3247-G | 10521 | P-385101 | 1 | 51 |
| | | | | | | 11652 | K-385101 | 1 | 51 |
| | QUATTRO (DISC 20MM) | 03-94→10-98 | 43 | LUCAS | 4292-G | 10787 | P-425102 | 1 | 51,3 |
| | | | | | | 11749 | K-425102 | 1 | 51,3 |
| | QUATTRO (DISC 22MM) | 10-98→09-02 | 43 | LUCAS | 6090-G | 10792 | P-425102 | 1 | 51,3 |
| | | | | | | 11750 | K-425102 | 1 | 51,3 |
| | ALL TYPES | 03-94→09-02 | 8 | LUCAS | 30001-G | | | | |
| | ALL TYPES | | 22,2 | SACHS | 3468-G | | | | |
| | 2.5 TDI | 01-97→ | 22,2 | SACHS | 4520-G | | | | |

A8 (4E SERIES) 03→10

| | | | | | | | | | |
|--|--------------------------------|--------|----|-----|----------------|-------|----------|---|------|
| | ALL TYPES | 10-02→ | 42 | ATE | 4971-G | 11722 | P-425502 | 2 | 55,5 |
| | ALL TYPES | 08-07→ | 60 | ATE | 4565-G | 10969 | P-605501 | 1 | 55,5 |
| | ALL TYPES (DISC 348MM) | 10-02→ | 12 | ATE | 30023-G | | | | |
| | ALL TYPES (DISC 30MM) | 10-02→ | 12 | ATE | 30095-G | | | | |
| | ALL TYPES (ELECTRIC HANDBRAKE) | 08-07→ | 43 | TRW | 6127-G | 11736 | P-435201 | 1 | 52 |
| | ALL TYPES | 03-03→ | 10 | TRW | 30041-G | | | | |

A8 (4H SERIES) 10→

| | | | | | | | | | |
|--|--------------------------------|--------|----|--------|----------------|-------|----------|---|------|
| | ALL TYPES | 07-10→ | 34 | BREMBO | 6227-G | 11555 | P-363101 | 4 | 31,5 |
| | | | | | | | P-343101 | 2 | 31,5 |
| | ALL TYPES | 07-10→ | 16 | ATE | 30148-G | | | | |
| | ALL TYPES (ELECTRIC HANDBRAKE) | 07-10→ | 43 | TRW | 6127-G | 11736 | P-435201 | 1 | 52 |

ALLROAD

| | | | | | | | | | |
|--|-----------------------------|-------------|------|-------|----------------|-------|----------|---|------|
| | ALL TYPES (CH.40-T-011201→) | | 25,4 | LUCAS | 4137-G | | | | |
| | ALL TYPES | | 43 | LUCAS | 6270-G | 11272 | P-435501 | 2 | 55 |
| | ALL TYPES | | 38 | LUCAS | 4442-G | 10520 | P-385101 | 1 | 51 |
| | | | | | | 11651 | K-385101 | 1 | 51 |
| | QUATTRO | 05-00→01-05 | 43 | LUCAS | 4893-G | 10659 | P-425102 | 1 | 51,3 |
| | | | | | | 11748 | K-425102 | 1 | 51,3 |
| | ALL TYPES | 05-00→08-05 | 8 | LUCAS | 30004-G | | | | |
| | ALL TYPES | | 22,2 | SACHS | 4520-G | | | | |



Master Cylinder



Front Caliper



Front Wheel Cylinder



Clutch Master Cylinder



Front Caliper Guides



Pressure Regulating Valve



Rear Caliper



Rear Wheel Cylinder



Clutch Slave Cylinder



Rear Caliper Guides

Ø
(mm.)

VERSION



AUDI

13 of 15

CABRIOLET

| | | | | | | | | | |
|--|-----------|-------------|------|-------|----------------|-------|----------|---|------|
| | ALL TYPES | | 23,8 | ATE | 3666-G | | | | |
| | ALL TYPES | | 23,8 | LUCAS | 4404-G | | | | |
| | 2.8 | 11-92→08-00 | 40 | LUCAS | 3645-G | 10609 | P-455301 | 1 | 53 |
| | | | | | | | P-405301 | 1 | 53 |
| | ALL TYPES | | 54 | ATE | 3073-G | 10889 | P-545202 | 1 | 52,4 |
| | ALL TYPES | | 54 | LUCAS | 3220-G | 10570 | P-545301 | 1 | 53,7 |
| | ALL TYPES | 11-92→08-00 | 8 | LUCAS | 30003-G | | | | |
| | ALL TYPES | | 12 | ATE | 30023-G | | | | |
| | 2.3 E | 05-91→08-00 | 38 | LUCAS | 3247-G | 10521 | P-385101 | 1 | 51 |
| | | | | | | 11652 | K-385101 | 1 | 51 |
| | ALL TYPES | | 38 | LUCAS | 4770-G | 10523 | P-385101 | 1 | 51 |
| | | | | | | 11170 | K-385101 | 1 | 51 |
| | ALL TYPES | | 8 | LUCAS | 30001-G | | | | |

COUPE

| | | | | | | | | | |
|--|-------------------|-------------|------|-----------|----------------|-------|----------|---|------|
| | ALL TYPES | | 20,6 | FAG | 4649-G | | | | |
| | ALL TYPES (-ABS) | | 23,8 | ATE | 3666-G | | | | |
| | ALL TYPES | 01-91→01-97 | 23,8 | LUCAS | 4404-G | | | | |
| | S1 - S1 AUTOMATIC | 01-70→10-74 | 34 | ATE | 4336-G | 10708 | P-342901 | 4 | 29 |
| | ALL TYPES | | 40 | LUCAS | 3645-G | 10609 | P-455301 | 1 | 53 |
| | | | | | | | P-405301 | 1 | 53 |
| | ALL TYPES | | 40 | LUCAS | 6026-G | | | | |
| | S2 - S2 AUTOMATIC | 10-74→00-76 | 48 | ATE | 3079-G | | | | |
| | ALL TYPES | →01-89 | 48 | LUCAS | 3267-G | 10537 | P-485302 | 1 | 53,6 |
| | S1 - S1 AUTOMATIC | 00-72→10-74 | 48 | ATE | 3356-G | 10821 | P-483001 | 2 | 30 |
| | ALL TYPES | 10-88→12-96 | 54 | ATE | 3073-G | 10889 | P-545202 | 1 | 52,4 |
| | ALL TYPES | 01-81→01-97 | 54 | LUCAS | 3220-G | 10570 | P-545301 | 1 | 53,7 |
| | ALL TYPES | | 8 | LUCAS | 30003-G | | | | |
| | ALL TYPES | | 12 | ATE | 30023-G | | | | |
| | ALL TYPES | →01-88 | 15,9 | FAG | 3480-G | | | | |
| | ALL TYPES | 01-81→01-88 | 17,5 | ATE | 3162-G | | | | |
| | ALL TYPES | 01-81→01-88 | 17,5 | FAG | 3519-G | | | | |
| | ALL TYPES | 01-81→01-89 | 36 | LUCAS | 3257-G | 10518 | P-364801 | 1 | 48 |
| | QUATTRO | →01-88 | 36 | LUCAS | 4290-G | | | | |
| | ALL TYPES | 09-84→12-96 | 38 | LUCAS | 3247-G | 10521 | P-385101 | 1 | 51 |
| | | | | | | 11652 | K-385101 | 1 | 51 |
| | ALL TYPES | 09-84→12-96 | 8 | LUCAS | 30001-G | | | | |
| | ALL TYPES | | 19 | ATE - FAG | 3350-G | | | | |
| | ALL TYPES | 01-89→ | 22,2 | SACHS | 3468-G | | | | |

Q3

| | | | | | | | | | |
|--|--------------------------------|--------|----|-----|----------------|-------|----------|---|------|
| | ALL TYPES | 06-11→ | 57 | ATE | 4768-G | 10589 | P-575504 | 1 | 55,4 |
| | ALL TYPES (ELECTRIC HANDBRAKE) | 06-11→ | 41 | TRW | 6085-G | 11207 | P-415201 | 1 | 52 |
| | ALL TYPES | 06-11→ | 8 | TRW | 30004-G | | | | |



Master Cylinder



Front Caliper



Front Wheel Cylinder



Clutch Master Cylinder



Front Caliper Guides



Pressure Regulating Valve



Rear Caliper



Rear Wheel Cylinder



Clutch Slave Cylinder



Rear Caliper Guides

Ø
(mm.)

VERSION



AUDI

14 of 15

Q5

| | | | | | | | | | |
|--|--------------------------------|--------|----|-----|----------------|-------|----------|---|------|
| | ALL TYPES | 11-08→ | 60 | TRW | 6178-G | 11466 | P-605304 | 1 | 53,5 |
| | ALL TYPES | 11-08→ | 14 | TRW | 30103-G | | | | |
| | SQ5 | 01-13→ | 16 | ATE | 30148-G | | | | |
| | ALL TYPES (ELECTRIC HANDBRAKE) | 11-08→ | 43 | TRW | 6127-G | 11736 | P-435201 | 1 | 52 |
| | ALL TYPES | 11-08→ | 8 | TRW | 30004-G | | | | |
| | ALL TYPES | 11-08→ | 10 | TRW | 30041-G | | | | |

Q7

| | | | | | | | | | |
|--|------------------------|--------|----|--------|---------------|-------|----------|---|------|
| | ALL TYPES | 03-06→ | 30 | BREMBO | 6058-G | 11543 | P-383103 | 2 | 31,5 |
| | | | | | | | P-343101 | 2 | 31,5 |
| | | | | | | | P-303101 | 2 | 31,5 |
| | ALL TYPES (DISC 358M) | 03-06→ | 28 | BREMBO | 6216-G | 11534 | P-323101 | 2 | 31,5 |
| | | | | | | | P-283101 | 2 | 31,5 |
| | ALL TYPES (DISC 330MM) | 03-06→ | 28 | BREMBO | 6217-G | 11001 | P-303202 | 2 | 32 |
| | | | | | | | P-283202 | 2 | 32 |
| | ALL TYPES (DISC 358M) | 03-06→ | 30 | BREMBO | 6100-G | 11010 | P-303202 | 4 | 32 |

QUATTRO

| | | | | | | | | | |
|--|-----------------------|-------------|----|-------|----------------|-------|----------|---|------|
| | ALL TYPES | | 40 | LUCAS | 3645-G | 10609 | P-455301 | 1 | 53 |
| | | | | | | | P-405301 | 1 | 53 |
| | 2.1 TURBO - 2.2 TURBO | 07-80→07-89 | 36 | LUCAS | 3257-G | 10518 | P-364801 | 1 | 48 |
| | 2.1 TURBO - 2.2 TURBO | 07-80→07-89 | 38 | LUCAS | 3247-G | 10521 | P-385101 | 1 | 51 |
| | | | | | | 11652 | K-385101 | 1 | 51 |
| | 2.2 20V TURBO | 07-80→07-91 | 43 | LUCAS | 3439-G | 10689 | P-425102 | 1 | 51,3 |
| | | | | | | 11747 | K-425102 | 1 | 51,3 |
| | ALL TYPES | | 8 | LUCAS | 30001-G | | | | |

R8

| | | | | | | | | | |
|--|--------------------------|--|----|--------|---------------|--|--|--|--|
| | ALL TYPES (DISC 365X34M) | | 28 | BREMBO | 6373-G | | | | |
|--|--------------------------|--|----|--------|---------------|--|--|--|--|

TT (8N SERIES) 98→06

| | | | | | | | | | |
|--|--------------------------|-------------|------|----------------|----------------|-------|----------|---|------|
| | ALL TYPES | →06-06 | 23,8 | BEDNIX - BOSCH | 4132-G | | | | |
| | ALL TYPES (ABS) | 01-98→ | 23,8 | ATE | 4806-G | | | | |
| | ALL TYPES | | 54 | ATE | 3073-G | 10900 | P-545801 | 1 | 58,5 |
| | ALL TYPES | 10-99→ | 12 | ATE | 30023-G | | | | |
| | ALL TYPES | 10-99→06-06 | 38 | LUCAS | 4442-G | 10520 | P-385101 | 1 | 51 |
| | | | | | | 11651 | K-385101 | 1 | 51 |
| | ALL TYPES | 10-98→06-06 | 41 | LUCAS | 4289-G | 10610 | P-415101 | 1 | 51 |
| | | | | | | 11696 | K-415101 | 1 | 51 |
| | ALL TYPES | | 41 | LUCAS | 6031-G | | | | |
| | ALL TYPES (CALIPER 38MM) | | 8 | LUCAS | 30004-G | | | | |
| | ALL TYPES (CALIPER 41MM) | | 8 | LUCAS | 30050-G | | | | |



Master Cylinder



Front Caliper



Front Wheel Cylinder



Clutch Master Cylinder



Front Caliper Guides



Pressure Regulating Valve



Rear Caliper



Rear Wheel Cylinder



Clutch Slave Cylinder



Rear Caliper Guides



∅
(mm.)

VERSION



AUDI

15 of 15

TT (8J SERIES) 07→14

| | | | | | | | | | |
|--|--------------------------|--------|----|-------|----------------|-------|----------|---|------|
| | ALL TYPES (DISC 25MM) | 08-06→ | 54 | ATE | 4318-G | 10890 | P-545502 | 1 | 55,5 |
| | ALL TYPES | 08-06→ | 54 | ATE | 6033-G | | | | |
| | ALL TYPES (DISC 30MM) | 08-06→ | 57 | ATE | 4768-G | 10932 | P-575503 | 1 | 55,5 |
| | ALL TYPES | 08-06→ | 12 | ATE | 30023-G | | | | |
| | ALL TYPES EXCEPT QUATTRO | 08-06→ | 38 | LUCAS | 4442-G | 10520 | P-385101 | 1 | 51 |
| | | | | | | 11651 | K-385101 | 1 | 51 |
| | QUATTRO | 08-06→ | 41 | LUCAS | 4289-G | 10610 | P-415101 | 1 | 51 |
| | | | | | | 11696 | K-415101 | 1 | 51 |
| | QUATTRO | 08-06→ | 41 | LUCAS | 6031-G | | | | |
| | ALL TYPES EXCEPT QUATTRO | 08-06→ | 8 | LUCAS | 30004-G | | | | |
| | QUATTRO | 08-06→ | 8 | LUCAS | 30050-G | | | | |

TT (FV SERIES) 14→

| | | | | | | | | | |
|--|--------------------------------|--------|----|-----|---------------|--|--|--|--|
| | ALL TYPES (ELECTRIC HANDBRAKE) | 07-14→ | 38 | ATE | 6244-G | | | | |
|--|--------------------------------|--------|----|-----|---------------|--|--|--|--|

V8

| | | | | | | | | | |
|--|-------------------|-------------|----|-------|---------------|-------|----------|---|------|
| | 3.6 - 4.2 QUATTRO | 10-88→02-94 | 60 | ATE | 4784-G | 10987 | P-604901 | 1 | 49 |
| | QUATTRO | 10-88→02-94 | 43 | LUCAS | 3439-G | 10689 | P-425102 | 1 | 51,3 |
| | | | | | | 11747 | K-425102 | 1 | 51,3 |
| | QUATTRO | 10-88→02-94 | 43 | LUCAS | 6019-G | | | | |



Master Cylinder



Front Caliper



Front Wheel Cylinder



Clutch Master Cylinder



Front Caliper Guides



Pressure Regulating Valve



Rear Caliper



Rear Wheel Cylinder



Clutch Slave Cylinder



Rear Caliper Guides



∅
(mm.)

VERSION



AUTHI MORRIS

1 of 1

MINI

| | | | | | | | | |
|--|-----------|-------------|------|-------------|---------------|-------|----------|--------|
| | ALL TYPES | | 17,5 | | 2711-G | | | |
| | COOPER | 00-62→00-69 | 42 | AP LOCKHEED | 3190-G | | | |
| | ALL TYPES | | 51 | AP LOCKHEED | 2616-G | 10852 | P-512801 | 2 28,3 |
| | ALL TYPES | | 15,9 | | 3195-G | | | |
| | ALL TYPES | | 19 | | 2615-G | | | |
| | ALL TYPES | | 17,5 | AP LOCKHEED | 2712-G | | | |
| | ALL TYPES | | 19 | AP LOCKHEED | 2743-G | | | |
| | ALL TYPES | | 22,2 | AP LOCKHEED | 2713-G | | | |



Master Cylinder



Front Caliper



Front Wheel Cylinder



Clutch Master Cylinder



Front Caliper Guides



Pressure Regulating Valve



Rear Caliper



Rear Wheel Cylinder



Clutch Slave Cylinder



Rear Caliper Guides



∅
(mm.)

VERSION



AVIA

1 of 1

1.600 - 2.000 - 2.600

| | | | | |
|--|-----------|------|----------------|---------------|
| | 2.000 | 28,6 | | 3084-G |
| | ALL TYPES | 22,2 | BEDNIX - BOSCH | 3087-G |
| | ALL TYPES | 22,2 | LUCAS | 3165-G |

3.600 - 5.600

| | | | | |
|--|-----------|------|----------------|---------------|
| | ALL TYPES | 22,2 | BEDNIX - BOSCH | 3087-G |
| | ALL TYPES | 22,2 | LUCAS | 3165-G |

CAMION AR 1.500 - 2.000 - 2.500

| | | | | |
|--|----------------------------|------|----------------|---------------|
| | ALL TYPES (SIMPLE CIRCUIT) | 31,8 | | 2789-G |
| | ALL TYPES | 31,8 | BEDNIX - BOSCH | 2600-G |
| | ALL TYPES | 31,8 | BEDNIX - BOSCH | 2600-G |

CAMION BO

| | | | | |
|--|--------------------------------|------|--|---------------|
| | 3.500 - 4.000 (SIMPLE CIRCUIT) | 25,4 | | 2751-G |
|--|--------------------------------|------|--|---------------|

CAMION GA - TGA 5.000

| | | | | |
|--|---------------------------|------|--|---------------|
| | ALL TYPES (DOBLE CIRCUIT) | 31,8 | | 2789-G |
| | II SERIES | 31,8 | | 3027-G |

CAMION GI

| | | | | |
|--|--------------------------------|------|--|---------------|
| | 1.000 - 1.250 (SIMPLE CIRCUIT) | 25,4 | | 2751-G |
|--|--------------------------------|------|--|---------------|



Master Cylinder



Front Caliper



Front Wheel Cylinder



Clutch Master Cylinder



Front Caliper Guides



Pressure Regulating Valve



Rear Caliper



Rear Wheel Cylinder



Clutch Slave Cylinder



Rear Caliper Guides



∅
(mm.)

VERSION



BEDFORD - BERLIET

1 of 1

BEDFORD

| | | | |
|--|----------------------------------|------|---------|
| | ALL TYPES (O-RING TYPE 2670654) | 44,4 | 10119-G |
| | ALL TYPES (O-RING TYPE 91021152) | 39,7 | 10118-G |

BERLIET

| | | | |
|--|-------------------------------|------|---------|
| | ALL TYPES (8 NUTS FOR WHEELS) | 37,7 | 10248-G |
| | ALL TYPES (8 NUTS FOR WHEELS) | 37,7 | 10248-G |



Master Cylinder



Front Caliper



Front Wheel Cylinder



Clutch Master Cylinder



Front Caliper Guides



Pressure Regulating Valve



Rear Caliper



Rear Wheel Cylinder



Clutch Slave Cylinder



Rear Caliper Guides

Ø
(mm.)

VERSION



BMW

1 of 11

1502 - 2002TII (02) (E10 - E6) 66→77

| | | | | | | | | | |
|--|-----------------------|-------------|------|----------------|---------------|-------|----------|---|----|
| | ALL TYPES | 01-69→01-75 | 20,6 | ATE - FAG | 3157-G | | | | |
| | ALL TYPES | | 20,6 | ATE | 4343-G | | | | |
| | ALL TYPES | 01-69→01-75 | 23,8 | ATE - FAG | 3176-G | | | | |
| | ALL TYPES | 01-69→ | 34 | ATE | 4336-G | 10708 | P-342901 | 4 | 29 |
| | ALL TYPES | 01-69→01-75 | 40 | ATE | 3396-G | 11683 | P-403004 | 4 | 30 |
| | ALL TYPES | 01-67→01-77 | 48 | ATE | 3356-G | 10821 | P-483001 | 2 | 30 |
| | ALL TYPES (2 PISTONS) | 01-66→01-69 | 54 | ATE | 4482-G | | | | |
| | ALL TYPES | 01-67→01-77 | 15,9 | ATE | 4328-G | | | | |
| | ALL TYPES | 01-66→01-75 | 17,5 | ATE | 4875-G | | | | |
| | ALL TYPES | 01-73→01-75 | 22,2 | ATE | 3219-G | | | | |
| | ALL TYPES | | 19 | ATE - FAG | 3173-G | | | | |
| | ALL TYPES | | 19 | ATE | 6356-G | | | | |
| | ALL TYPES | | 20,6 | FAG | 3397-G | | | | |
| | ALL TYPES | 01-69→01-71 | 27 | BEDNIX - BOSCH | 4898-G | | | | |

1500 - 2000CS (115 - 116 - 118 - 121) 10-62→11-72

| | | | | | | | | | |
|--|-----------------------|--------|------|----------------|---------------|-------|----------|---|------|
| | ALL TYPES | | 20,6 | ATE - FAG | 3157-G | | | | |
| | ALL TYPES (RHD) | | 22,2 | ATE | 3395-G | | | | |
| | ALL TYPES | 10-62→ | 34 | ATE | 4336-G | 10708 | P-342901 | 4 | 29 |
| | ALL TYPES | 10-62→ | 40 | ATE | 3396-G | 11683 | P-403004 | 4 | 30 |
| | ALL TYPES (2 PISTONS) | 10-62→ | 54 | ATE | 4482-G | | | | |
| | ALL TYPES | 10-62→ | 15,9 | ATE | 4328-G | | | | |
| | ALL TYPES | 10-62→ | 17,5 | ATE | 4875-G | | | | |
| | ALL TYPES | 10-62→ | 22,2 | ATE | 3219-G | | | | |
| | ALL TYPES | 10-62→ | 42 | ATE | 3370-G | 10777 | P-422901 | 2 | 29,5 |
| | ALL TYPES | | 19 | ATE - FAG | 3173-G | | | | |
| | ALL TYPES | | 20,6 | FAG | 3397-G | | | | |
| | ALL TYPES | 10-62→ | 27 | BEDNIX - BOSCH | 4898-G | | | | |

2.5CS - 3.0CSL (E9) 06-70→

| | | | | | | | | | |
|--|-----------|--------|------|-----------|---------------|-------|----------|---|------|
| | ALL TYPES | | 22,2 | ATE | 3395-G | | | | |
| | ALL TYPES | 10-65→ | 40 | ATE | 3396-G | 11683 | P-403004 | 4 | 30 |
| | ALL TYPES | 10-65→ | 22,2 | ATE | 3219-G | | | | |
| | ALL TYPES | 10-65→ | 42 | ATE | 3370-G | 10777 | P-422901 | 2 | 29,5 |
| | ALL TYPES | | 19 | ATE - FAG | 3173-G | | | | |
| | ALL TYPES | | 22,2 | ATE | 3399-G | | | | |

2.5 - 3.3LI (E3) 10 - 68→

| | | | | | | | | | |
|--|-----------------|--|------|-----------|---------------|-------|----------|---|------|
| | ALL TYPES | | 22,2 | ATE | 3117-G | | | | |
| | ALL TYPES (RHD) | | 22,2 | ATE | 3395-G | | | | |
| | ALL TYPES | | 23,8 | ATE - FAG | 3176-G | | | | |
| | ALL TYPES | | 40 | ATE | 3396-G | 11683 | P-403004 | 4 | 30 |
| | ALL TYPES | | 22,2 | ATE | 3219-G | | | | |
| | ALL TYPES | | 42 | ATE | 3370-G | 10777 | P-422901 | 2 | 29,5 |
| | ALL TYPES | | 19 | ATE - FAG | 3173-G | | | | |
| | ALL TYPES | | 22,2 | ATE | 3399-G | | | | |



Master Cylinder



Front Caliper



Front Wheel Cylinder



Clutch Master Cylinder



Front Caliper Guides



Pressure Regulating Valve



Rear Caliper



Rear Wheel Cylinder



Clutch Slave Cylinder



Rear Caliper Guides

Ø
(mm.)

VERSION



BMW

2 of 11

1 SERIES (E81 - E87) 09-04→

| | | | | | | | | | |
|--|-----------------------------|-------------|------|--------|----------------|-------|----------|---|------|
| | ALL TYPES SPORT (6 PISTONS) | 11-03→09-12 | 27 | BREMBO | 6215-G | 11003 | P-363004 | 2 | 30 |
| | | | | | | | P-323001 | 2 | 30 |
| | | | | | | | P-283001 | 2 | 30 |
| | ALL TYPES | 11-03→09-12 | 54 | LUCAS | 3649-G | 10669 | P-544901 | 1 | 49,8 |
| | ALL TYPES (HARD BOOT) | 11-03→09-12 | 54 | ATE | 4318-G | 10890 | P-545502 | 1 | 55,5 |
| | ALL TYPES (HARD BOOT) | 11-03→09-12 | 54 | ATE | 6033-G | | | | |
| | ALL TYPES | 11-03→09-12 | 8,4 | LUCAS | 30046-G | | | | |
| | ALL TYPES | 11-03→09-12 | 12 | ATE | 30023-G | | | | |
| | ALL TYPES | 11-03→09-12 | 40 | ATE | 4510-G | 11677 | P-405001 | 1 | 50,5 |
| | ALL TYPES | 11-03→09-12 | 40 | LUCAS | 4918-G | 10762 | P-405301 | 1 | 53 |
| | ALL TYPES | 11-03→09-12 | 42 | ATE | 4623-G | 11700 | P-425002 | 1 | 50,5 |
| | ALL TYPES (2 PISTONS) | 11-03→09-12 | 42 | BREMBO | 6252-G | 11721 | P-423005 | 2 | 30 |
| | ALL TYPES | 11-03→09-12 | 12 | ATE | 30023-G | | | | |
| | ALL TYPES (PLASTIC BODY) | 11-03→09-12 | 19 | FAG | 4849-G | | | | |
| | ALL TYPES | 11-03→09-12 | 22,2 | ATE | 3399-G | | | | |

1 SERIES CABRIO (E88) 03-07→

| | | | | | | | | | |
|--|-----------------------------|--------|-----|--------|----------------|-------|----------|---|------|
| | ALL TYPES SPORT (6 PISTONS) | 03-08→ | 27 | BREMBO | 6215-G | 11003 | P-363004 | 2 | 30 |
| | | | | | | | P-323001 | 2 | 30 |
| | | | | | | | P-283001 | 2 | 30 |
| | 118i | 03-08→ | 54 | LUCAS | 3649-G | 10669 | P-544901 | 1 | 49,8 |
| | ALL TYPES EXCEPT 118i | 03-08→ | 54 | ATE | 4318-G | 10890 | P-545502 | 1 | 55,5 |
| | 118i | 03-08→ | 8,4 | LUCAS | 30046-G | | | | |
| | ALL TYPES EXCEPT 118i | 03-08→ | 12 | ATE | 30023-G | | | | |
| | ALL TYPES EXCEPT 135i | 03-08→ | 40 | ATE | 4510-G | 11677 | P-405001 | 1 | 50,5 |
| | ALL TYPES SPORT | 03-08→ | 42 | ATE | 4623-G | 11700 | P-425002 | 1 | 50,5 |
| | 135i (2 PISTONS) | 03-08→ | 42 | BREMBO | 6252-G | 11721 | P-423005 | 2 | 30 |
| | ALL TYPES EXCEPT 135i | 03-08→ | 12 | ATE | 30023-G | | | | |

1 SERIES COUPE (E82) 09-07→

| | | | | | | | | | |
|--|-----------------------------|--------|-----|--------|----------------|-------|----------|---|------|
| | ALL TYPES SPORT (6 PISTONS) | 10-07→ | 27 | BREMBO | 6215-G | 11003 | P-363004 | 2 | 30 |
| | | | | | | | P-323001 | 2 | 30 |
| | | | | | | | P-283001 | 2 | 30 |
| | 118D | 09-09→ | 54 | LUCAS | 3649-G | 10669 | P-544901 | 1 | 49,8 |
| | ALL TYPES | 10-07→ | 54 | ATE | 4318-G | 10890 | P-545502 | 1 | 55,5 |
| | 118D | 09-09→ | 8,4 | LUCAS | 30046-G | | | | |
| | ALL TYPES | 10-07→ | 12 | ATE | 30023-G | | | | |
| | M 3.0 | 04-11→ | 12 | ATE | 30094-G | | | | |
| | 120D - 125i | 10-07→ | 40 | ATE | 4510-G | 11677 | P-405001 | 1 | 50,5 |
| | ALL TYPES | 10-07→ | 42 | ATE | 4623-G | 11700 | P-425002 | 1 | 50,5 |
| | 135i (2 PISTONS) | 10-07→ | 42 | BREMBO | 6252-G | 11721 | P-423005 | 2 | 30 |
| | M 3.0 | 04-11→ | 46 | ATE | 4885-G | 10817 | P-464801 | 1 | 48 |
| | ALL TYPES | 10-07→ | 12 | ATE | 30023-G | | | | |

1 SERIES (F20 - F21) 12-10→

| | | | | | | | | | |
|--|-----------|--------|----|-----|----------------|--|--|--|--|
| | ALL TYPES | 11-10→ | 12 | ATE | 30023-G | | | | |
| | ALL TYPES | 11-10→ | 12 | ATE | 30023-G | | | | |



Master Cylinder



Front Caliper



Front Wheel Cylinder



Clutch Master Cylinder



Front Caliper Guides



Pressure Regulating Valve



Rear Caliper



Rear Wheel Cylinder



Clutch Slave Cylinder



Rear Caliper Guides

Ø
(mm.)

VERSION



BMW

3 of 11

3 SERIES (E21) 75→82

| | | | | | | | | | |
|--|------------------------------------|-------------|------|-----------|---------------|-------|----------|---|----|
| | ALL TYPES | 06-75→03-84 | 20,6 | ATE - FAG | 3157-G | | | | |
| | 316 - 316i - 320i | 06-75→03-84 | 20,6 | ATE | 4343-G | | | | |
| | ALL TYPES EXCEPT 315 - 320i - 323i | 06-75→03-84 | 48 | LUCAS | 2643-G | 10615 | P-482901 | 2 | 29 |
| | ALL TYPES | 06-75→03-84 | 48 | ATE | 3356-G | 10821 | P-483001 | 2 | 30 |
| | ALL TYPES EXCEPT 323i | 06-75→03-84 | 19 | ATE | 3218-G | | | | |
| | 323i | 01-78→08-79 | 27 | ATE | 3420-G | | | | |
| | 323i | 09-79→08-82 | 33 | ATE | 3421-G | 11537 | P-334501 | 1 | 45 |
| | ALL TYPES | 06-75→03-84 | 19 | ATE - FAG | 3173-G | | | | |
| | ALL TYPES | 06-75→03-84 | 20,6 | ATE - FAG | 3174-G | | | | |
| | ALL TYPES | 06-75→03-84 | 20,6 | FAG | 4152-G | | | | |

3 SERIES (E30) 83→

| | | | | | | | | | |
|--|----------------|-------------|------|-----------|----------------|-------|----------|---|----|
| | ALL TYPES | 09-82→10-94 | 19 | ATE | 3354-G | | | | |
| | ALL TYPES | 09-82→10-94 | 20,6 | ATE | 3355-G | | | | |
| | 316 ECOTRONIC | 09-82→10-94 | 48 | LUCAS | 2643-G | 10615 | P-482901 | 2 | 29 |
| | ALL TYPES | 09-82→10-94 | 48 | ATE | 3130-G | 10548 | P-484802 | 1 | 48 |
| | ALL TYPES | 09-82→10-94 | 48 | LUCAS | 3267-G | 10547 | P-484802 | 1 | 48 |
| | 316 ECOTRONIC | 09-82→10-94 | 48 | ATE | 3356-G | 10821 | P-483001 | 2 | 30 |
| | M3 | 09-82→10-94 | 54 | ATE | 3073-G | 11399 | P-545303 | 1 | 53 |
| | ALL TYPES | 09-82→10-94 | 8 | LUCAS | 30003-G | | | | |
| | ALL TYPES | 09-82→10-94 | 12 | ATE | 30023-G | | | | |
| | ALL TYPES | →01-86 | 20,6 | LUCAS | 3031-G | | | | |
| | ALL TYPES | 01-86→ | 22,2 | LUCAS | 3063-G | | | | |
| | ALL TYPES | 09-82→10-94 | 33 | ATE | 3422-G | 11041 | P-334801 | 1 | 48 |
| | ALL TYPES | 09-82→10-94 | 35 | ATE | 4763-G | 11582 | P-354801 | 1 | 48 |
| | M3 (DISC 12MM) | 09-82→10-94 | 38 | ATE | 3648-G | 10745 | P-384801 | 1 | 48 |
| | M3 | 09-82→10-94 | 38 | ATE | 6018-G | | | | |
| | ALL TYPES | 09-82→10-94 | 12 | ATE | 30023-G | | | | |
| | ALL TYPES | 09-82→10-94 | 19 | ATE - FAG | 3173-G | | | | |
| | ALL TYPES | 09-82→10-94 | 20,6 | ATE - FAG | 3174-G | | | | |
| | ALL TYPES | 09-82→10-94 | 20,6 | FAG | 4152-G | | | | |
| | ALL TYPES | 09-82→10-94 | 22,2 | ATE | 3399-G | | | | |

3 SERIES (E36) 91→

| | | | | | | | | | |
|--|------------------|-------------|------|-----|----------------|-------|----------|---|------|
| | ALL TYPES | 09-90→ | 54 | ATE | 3073-G | 10629 | P-544801 | 1 | 48,1 |
| | M3 | 01-94→04-99 | 60 | ATE | 3133-G | 10596 | P-605302 | 1 | 53 |
| | ALL TYPES | | 12 | ATE | 30023-G | | | | |
| | ALL TYPES (-ABS) | 09-90→ | 34 | ATE | 4432-G | 11545 | P-344802 | 1 | 48 |
| | ALL TYPES | 09-90→04-99 | 36 | ATE | 3483-G | 10725 | P-364803 | 1 | 48 |
| | ALL TYPES | 09-90→ | 38 | ATE | 3429-G | 10741 | P-384801 | 1 | 48 |
| | M3 | 10-92→ | 40 | ATE | 4452-G | 10751 | P-404801 | 1 | 48 |
| | ALL TYPES | | 12 | ATE | 30023-G | | | | |
| | ALL TYPES | | 19 | FAG | 6353-G | | | | |
| | ALL TYPES | 09-90→ | 20,6 | FAG | 4204-G | | | | |
| | ALL TYPES | 09-90→ | 22,2 | ATE | 3399-G | | | | |



Master Cylinder



Front Caliper



Front Wheel Cylinder



Clutch Master Cylinder



Front Caliper Guides



Pressure Regulating Valve



Rear Caliper



Rear Wheel Cylinder



Clutch Slave Cylinder



Rear Caliper Guides



∅
(mm.)

VERSION



BMW

4 of 11

3 SERIES (E46) 9-98→

| | | | | | | | | | |
|--|--------------------------|-------------|----|-----|----------------|-------|----------|---|------|
| | ALL TYPES | 02-98→12-07 | 54 | ATE | 3073-G | 10629 | P-544801 | 1 | 48,1 |
| | ALL TYPES | 02-98→12-07 | 57 | ATE | 4768-G | 10588 | P-575301 | 1 | 53 |
| | M3 | 02-98→12-07 | 60 | ATE | 3133-G | 10955 | P-605303 | 1 | 53 |
| | ALL TYPES | 02-98→12-07 | 12 | ATE | 30023-G | | | | |
| | ALL TYPES | 02-98→12-07 | 40 | ATE | 4452-G | 10751 | P-404801 | 1 | 48 |
| | 330XD TOURING 4x4 | 03-03→ | 40 | ATE | 4510-G | 11673 | P-404802 | 1 | 48 |
| | 330D CABRIO - TOURING | 02-98→12-07 | 42 | ATE | 4623-G | 10690 | P-424802 | 1 | 48 |
| | M3 | 03-00→02-07 | 42 | ATE | 4777-G | 10771 | P-425201 | 1 | 52 |
| | M3 | 03-03→07-06 | 46 | ATE | 4885-G | | | | |
| | ALL TYPES | 02-98→12-07 | 12 | ATE | 30023-G | | | | |
| | ALL TYPES (PLASTIC BODY) | 02-98→12-07 | 19 | FAG | 4849-G | | | | |

3 SERIES (E90) 05→

| | | | | | | | | | |
|--|--------------------------------|-------------|------|--------|----------------|-------|----------|---|------|
| | WITH SPORT PACKAGE (6 PISTONS) | 01-05→12-11 | 27 | BREMBO | 6215-G | 11003 | P-363004 | 2 | 30 |
| | | | | | | | P-323001 | 2 | 30 |
| | | | | | | | P-283001 | 2 | 30 |
| | ALL TYPES | 01-05→12-11 | 54 | ATE | 4318-G | 10890 | P-545502 | 1 | 55,5 |
| | ALL TYPES | 01-05→12-11 | 54 | ATE | 6033-G | | | | |
| | ALL TYPES | 01-05→12-11 | 57 | ATE | 4768-G | 10589 | P-575504 | 1 | 55,4 |
| | | | | | | 10932 | P-575503 | 1 | 55,5 |
| | ALL TYPES (DISC 348X30MM) | 01-05→12-11 | 57 | ATE | 6042-G | 10953 | P-575503 | 1 | 55,5 |
| | ALL TYPES | 01-05→12-11 | 12 | ATE | 30023-G | | | | |
| | ALL TYPES (DISC 348X30MM) | 01-05→12-11 | 12 | ATE | 30094-G | | | | |
| | ALL TYPES | 01-05→12-11 | 40 | LUCAS | 4918-G | 10762 | P-405301 | 1 | 53 |
| | ALL TYPES | 01-05→12-11 | 42 | ATE | 4623-G | 11700 | P-425002 | 1 | 50,5 |
| | ALL TYPES (2 PISTONS) | 01-05→12-11 | 42 | BREMBO | 6252-G | 11721 | P-423005 | 2 | 30 |
| | ALL TYPES | 01-05→12-11 | 44 | ATE | 4891-G | 11753 | P-445501 | 1 | 55,5 |
| | M3 | 01-05→12-11 | 46 | ATE | 4885-G | 10817 | P-464801 | 1 | 48 |
| | ALL TYPES | 02-06→12-11 | 8,4 | LUCAS | 30046-G | | | | |
| | ALL TYPES | 01-05→12-11 | 12 | ATE | 30023-G | | | | |
| | ALL TYPES (PLASTIC BODY) | 01-05→12-11 | 19 | FAG | 4849-G | | | | |
| | ALL TYPES | 01-05→12-11 | 22,2 | ATE | 3399-G | | | | |



Master Cylinder



Front Caliper



Front Wheel Cylinder



Clutch Master Cylinder



Front Caliper Guides



Pressure Regulating Valve



Rear Caliper



Rear Wheel Cylinder



Clutch Slave Cylinder



Rear Caliper Guides

Ø
(mm.)

VERSION



BMW

5 of 11

3 SERIES (E92) 6-06→

| | | | | | | | | | |
|--|---|--------|----|--------|----------------|-------|----------|---|------|
| | WITH SPORT PACKAGE (6 PISTONS) | 11-06→ | 27 | BREMBO | 6215-G | 11003 | P-363004 | 2 | 30 |
| | | | | | | | P-323001 | 2 | 30 |
| | | | | | | | P-283001 | 2 | 30 |
| | ALL TYPES | 09-06→ | 54 | ATE | 4318-G | 10890 | P-545502 | 1 | 55,5 |
| | ALL TYPES | | 57 | ATE | 4768-G | 10589 | P-575504 | 1 | 55,4 |
| | ALL TYPES (ALUMNIUM PISTON) (DISC 24MM) | | | | | 10932 | P-575503 | 1 | 55,5 |
| | ALL TYPES (ALUMNIUM PISTON) (DISC 30MM) | | 57 | ATE | 6042-G | 10953 | P-575503 | 1 | 55,5 |
| | ALL TYPES | | 12 | ATE | 30023-G | | | | |
| | ALL TYPES (ALUMNIUM PISTON) (DISC 30MM) | | 12 | ATE | 30094-G | | | | |
| | COUPE 316i | 06-06→ | 40 | LUCAS | 4918-G | 10762 | P-405301 | 1 | 53 |
| | ALL TYPES | | 42 | ATE | 4623-G | 11700 | P-425002 | 1 | 50,5 |
| | COUPE 325D (2 PISTONS) | 06-06→ | 42 | BREMBO | 6252-G | 11721 | P-423005 | 2 | 30 |
| | ALL TYPES | | 44 | ATE | 4891-G | 11753 | P-445501 | 1 | 55,5 |
| | M3 | | 46 | ATE | 4885-G | 10817 | P-464801 | 1 | 48 |
| | ALL TYPES | | 12 | ATE | 30023-G | | | | |

3 SERIES (E93) 8-06→

| | | | | | | | | | |
|--|---|--------|----|--------|----------------|-------|----------|---|------|
| | WITH SPORT PACKAGE (6 PISTONS) | 07-07→ | 27 | BREMBO | 6215-G | 11003 | P-363004 | 2 | 30 |
| | | | | | | | P-323001 | 2 | 30 |
| | | | | | | | P-283001 | 2 | 30 |
| | ALL TYPES | 08-06→ | 57 | ATE | 4768-G | 10589 | P-575504 | 1 | 55,4 |
| | ALL TYPES (ALUMNIUM PISTON) (DISC 24MM) | | | | | 10932 | P-575503 | 1 | 55,5 |
| | ALL TYPES (ALUMNIUM PISTON) (DISC 30MM) | 08-06→ | 57 | ATE | 6042-G | 10953 | P-575503 | 1 | 55,5 |
| | ALL TYPES | 06-06→ | 12 | ATE | 30023-G | | | | |
| | ALL TYPES (ALUMNIUM PISTON) (DISC 30MM) | 08-06→ | 12 | ATE | 30094-G | | | | |
| | ALL TYPES | 08-06→ | 42 | ATE | 4623-G | 11700 | P-425002 | 1 | 50,5 |
| | ALL TYPES (2 PISTONS) | 08-06→ | 42 | BREMBO | 6252-G | 11721 | P-423005 | 2 | 30 |
| | ALL TYPES | 08-06→ | 44 | ATE | 4891-G | 11753 | P-445501 | 1 | 55,5 |
| | M3 | 08-06→ | 46 | ATE | 4885-G | 10817 | P-464801 | 1 | 48 |
| | ALL TYPES | 08-06→ | 12 | ATE | 30023-G | | | | |

3 TOURING (E91) 05→

| | | | | | | | | | |
|--|--------------------------------|--------|------|--------|----------------|-------|----------|---|------|
| | WITH SPORT PACKAGE (6 PISTONS) | 09-05→ | 27 | BREMBO | 6215-G | 11003 | P-363004 | 2 | 30 |
| | | | | | | | P-323001 | 2 | 30 |
| | | | | | | | P-283001 | 2 | 30 |
| | ALL TYPES | | 57 | ATE | 4768-G | 10589 | P-575504 | 1 | 55,4 |
| | | | | | | 10932 | P-575503 | 1 | 55,5 |
| | ALL TYPES (DISC 348X30MM) | | 57 | ATE | 6042-G | 10953 | P-575503 | 1 | 55,5 |
| | ALL TYPES | | 12 | ATE | 30023-G | | | | |
| | ALL TYPES (DISC 348X30MM) | | 12 | ATE | 30094-G | | | | |
| | ALL TYPES | | 42 | ATE | 4623-G | 11700 | P-425002 | 1 | 50,5 |
| | ALL TYPES (2 PISTONS) | | 42 | BREMBO | 6252-G | 11721 | P-423005 | 2 | 30 |
| | ALL TYPES | | 44 | ATE | 4891-G | 11753 | P-445501 | 1 | 55,5 |
| | ALL TYPES | | 12 | ATE | 30023-G | | | | |
| | ALL TYPES | | 22,2 | ATE | 3399-G | | | | |



Master Cylinder



Front Caliper



Front Wheel Cylinder



Clutch Master Cylinder



Front Caliper Guides



Pressure Regulating Valve



Rear Caliper



Rear Wheel Cylinder



Clutch Slave Cylinder



Rear Caliper Guides

Ø
(mm.)

VERSION



BMW

6 of 11

5 SERIES (E12) 72→81

| | | | | | | | | | |
|--|-----------------|-------------|------|-----------|---------------|-------|----------|---|------|
| | ALL TYPES | 08-72→08-81 | 22,2 | ATE | 3117-G | | | | |
| | ALL TYPES (RHD) | 08-72→08-81 | 22,2 | ATE | 3395-G | | | | |
| | ALL TYPES | 08-72→05-82 | 23,8 | ATE - FAG | 3176-G | | | | |
| | ALL TYPES | 08-76→08-81 | 40 | ATE | 3396-G | 10752 | P-403201 | 4 | 32 |
| | | 08-72→07-76 | | | | 11683 | P-403004 | 4 | 30 |
| | ALL TYPES | | 22,2 | ATE | 3219-G | | | | |
| | ALL TYPES | 08-72→08-81 | 42 | ATE | 3370-G | 10777 | P-422901 | 2 | 29,5 |
| | ALL TYPES | | 19 | ATE - FAG | 3173-G | | | | |
| | ALL TYPES | 01-74→01-81 | 20,6 | ATE - FAG | 3174-G | | | | |
| | ALL TYPES | 01-72→01-75 | 20,6 | FAG | 3397-G | | | | |
| | ALL TYPES | 01-72→01-75 | 20,6 | FAG | 4152-G | | | | |

5 SERIES (E28) 81→88

| | | | | | | | | | |
|--|-----------|-------------|------|-----------|----------------|-------|----------|---|----|
| | ALL TYPES | 06-81→12-87 | 22,2 | ATE | 3427-G | | | | |
| | ALL TYPES | 06-81→12-87 | 23,8 | ATE | 3424-G | | | | |
| | ALL TYPES | 06-81→12-87 | 23,8 | LUCAS | 3428-G | | | | |
| | M5 | 06-81→12-87 | 40 | ATE | 3396-G | 11683 | P-403004 | 4 | 30 |
| | ALL TYPES | 06-81→12-87 | 54 | ATE | 3073-G | 11399 | P-545303 | 1 | 53 |
| | ALL TYPES | 06-81→12-87 | 57 | ATE | 3391-G | 10954 | P-575303 | 1 | 53 |
| | ALL TYPES | | 57 | ATE | 4983-G | | | | |
| | ALL TYPES | 06-81→12-87 | 12 | ATE | 30023-G | | | | |
| | ALL TYPES | 06-81→12-87 | 19 | ATE | 3218-G | | | | |
| | ALL TYPES | 06-81→12-87 | 20,6 | ATE | 3398-G | | | | |
| | ALL TYPES | 06-81→12-87 | 33 | ATE | 3422-G | 11041 | P-334801 | 1 | 48 |
| | M5 3.5 | 06-81→12-87 | 35 | ATE | 4763-G | 11582 | P-354801 | 1 | 48 |
| | ALL TYPES | 06-81→12-87 | 12 | ATE | 30023-G | | | | |
| | ALL TYPES | 06-81→12-87 | 19 | ATE - FAG | 3173-G | | | | |
| | ALL TYPES | 06-81→12-87 | 20,6 | ATE - FAG | 3174-G | | | | |
| | ALL TYPES | 06-81→12-87 | 20,6 | FAG | 4152-G | | | | |
| | 524D | 06-81→12-87 | 22,2 | ATE | 3399-G | | | | |

5 SERIES (E34) 88→

| | | | | | | | | | |
|--|-------------------|-------------|------|-------|----------------|-------|----------|---|----|
| | ALL TYPES | →01-93 | 25,4 | LUCAS | 4120-G | | | | |
| | ALL TYPES | | 25,4 | ATE | 4692-G | | | | |
| | M5 - M5 TOURING | 06-94→01-97 | 40 | ATE | 6061-G | | | | |
| | ALL TYPES | 12-87→01-97 | 60 | ATE | 3133-G | 10596 | P-605302 | 1 | 53 |
| | ALL TYPES | 12-87→01-97 | 12 | ATE | 30023-G | | | | |
| | ALL TYPES | 12-87→11-95 | 38 | ATE | 3429-G | 10742 | P-385001 | 1 | 50 |
| | ALL TYPES TOURING | 11-91→01-97 | 40 | ATE | 4452-G | 10751 | P-404801 | 1 | 48 |
| | M5 | 06-94→01-97 | 40 | ATE | 4703-G | 11688 | P-405203 | 1 | 52 |
| | ALL TYPES | 12-87→01-97 | 12 | ATE | 30023-G | | | | |
| | ALL TYPES | 12-87→01-97 | 19 | FAG | 3425-G | | | | |
| | ALL TYPES | 12-87→01-97 | 22,2 | ATE | 3399-G | | | | |
| | ALL TYPES | 12-87→01-97 | 22,2 | FAG | 3426-G | | | | |



Master Cylinder



Front Caliper



Front Wheel Cylinder



Clutch Master Cylinder



Front Caliper Guides



Pressure Regulating Valve



Rear Caliper



Rear Wheel Cylinder



Clutch Slave Cylinder



Rear Caliper Guides

Ø
(mm.)

VERSION



BMW

7 of 11

5 SERIES (E39) 96→

| | | | | | | | | | |
|--|-----------------------------------|-------------|------|-------|----------------|-------|----------|---|-------|
| | ALL TYPES (DISC 20,6-25,4MM) | 11-95→05-04 | 25,4 | LUCAS | 4561-G | | | | |
| | M5 | 09-98→06-03 | 60 | ATE | 3133-G | 10596 | P-605302 | 1 | 53 |
| | ALL TYPES (HARD BOOT) (DISC 22MM) | 11-95→05-04 | 60 | ATE | 4565-G | 10963 | P-605502 | 1 | 55,5 |
| | ALL TYPES (DISC 30MM) | 11-95→05-04 | 60 | ATE | 6039-G | 10975 | P-605303 | 1 | 53 |
| | ALL TYPES | 11-95→05-04 | 12 | ATE | 30023-G | | | | |
| | ALL TYPES | 11-95→05-04 | 40 | ATE | 4510-G | 11185 | P-405201 | 1 | 52 |
| | ALL TYPES | 01-97→05-04 | 42 | ATE | 4623-G | 11724 | P-425202 | 1 | 52,25 |
| | M5 | 09-98→06-03 | 42 | ATE | 4777-G | 10771 | P-425201 | 1 | 52 |
| | ALL TYPES | 11-95→05-04 | 12 | ATE | 30023-G | | | | |
| | ALL TYPES (PLASTIC BODY) | 02-00→09-03 | 19 | FAG | 4849-G | | | | |
| | ALL TYPES | 11-95→05-04 | 22,2 | ATE | 3399-G | | | | |

5 SERIES (E60) 07-03→

| | | | | | | | | | |
|--|-----------------------|-------------|------|-----|----------------|-------|----------|---|------|
| | 550i - 535D - M | 09-04→ | 42 | ATE | 4971-G | 11722 | P-425502 | 2 | 55,5 |
| | ALL TYPES | 07-03→03-10 | 60 | ATE | 4565-G | 10969 | P-605501 | 1 | 55,5 |
| | ALL TYPES (DISC 24MM) | 07-03→03-10 | 12 | ATE | 30023-G | | | | |
| | ALL TYPES (DISC 30MM) | 07-03→03-10 | 12 | ATE | 30094-G | | | | |
| | ALL TYPES (DISC 36MM) | 07-03→03-10 | 12 | ATE | 30095-G | | | | |
| | ALL TYPES | 07-03→03-10 | 42 | ATE | 4623-G | 10770 | P-425201 | 1 | 52 |
| | ALL TYPES | 07-03→03-10 | 46 | ATE | 4885-G | 10817 | P-464801 | 1 | 48 |
| | ALL TYPES | 07-03→03-10 | 12 | ATE | 30023-G | | | | |
| | ALL TYPES | 07-03→03-10 | 22,2 | ATE | 3399-G | | | | |

5 SERIES (E61) 6-04→

| | | | | | | | | | |
|--|--|--------|----|-----|----------------|-------|----------|---|-------|
| | 535D - TOURING - 550i TOURING - M5 TOURING | 06-04→ | 42 | ATE | 4971-G | 11722 | P-425502 | 2 | 55,5 |
| | ALL TYPES | 06-04→ | 60 | ATE | 4565-G | 10969 | P-605501 | 1 | 55,5 |
| | ALL TYPES (DISC 24MM) | 06-04→ | 12 | ATE | 30023-G | | | | |
| | ALL TYPES (DISC 30MM) | 06-04→ | 12 | ATE | 30094-G | | | | |
| | ALL TYPES (DISC 36MM) | 06-04→ | 12 | ATE | 30095-G | | | | |
| | ALL TYPES | 06-04→ | 42 | ATE | 4623-G | 11724 | P-425202 | 1 | 52,25 |
| | ALL TYPES | 06-04→ | 46 | ATE | 4885-G | 10817 | P-464801 | 1 | 48 |
| | ALL TYPES | 06-04→ | 12 | ATE | 30023-G | | | | |

5 SERIES (F10 - F11 - F18) 03-10→

| | | | | | | | | | |
|--|---------------------------------|--------|----|-----|----------------|-------|----------|---|------|
| | 525D - 528i - 530D (DISC 348MM) | 03-10→ | 60 | ATE | 4565-G | 10969 | P-605501 | 1 | 55,5 |
| | 535i - 550i | 03-10→ | 60 | ATE | 6321-G | 11452 | P-605501 | 1 | 55,5 |
| | ALL TYPES | 03-10→ | 16 | ATE | 30148-G | | | | |
| | 535i - 550i | | | | | | | | |
| | ALL TYPES (ELECTRIC HANDBRAKE) | 03-10→ | 44 | TRW | 6273-G | | | | |

5 GRAN TURISMO (F07) 10-09→

| | | | | | | | | | |
|--|-----------|--------|----|-----|----------------|-------|----------|---|------|
| | ALL TYPES | 09-09→ | 60 | ATE | 6321-G | 11452 | P-605501 | 1 | 55,5 |
| | ALL TYPES | 10-09→ | 16 | ATE | 30148-G | | | | |



Master Cylinder



Front Caliper



Front Wheel Cylinder



Clutch Master Cylinder



Front Caliper Guides



Pressure Regulating Valve



Rear Caliper



Rear Wheel Cylinder



Clutch Slave Cylinder



Rear Caliper Guides

Ø
(mm.)

VERSION



BMW

8 of 11

6 SERIES (E24) 76→88

| | | | | | | | | | |
|--|----------------------------------|-------------|------|-----------|----------------|-------|----------|---|------|
| | 628 CSI - 633 CSI - 635CSI (RHD) | →05-82 | 22,2 | ATE | 3395-G | | | | |
| | ALL TYPES EXCEPT M6 | 08-78→05-82 | 23,8 | ATE - FAG | 3176-G | | | | |
| | 628 CSI (ABS) | 05-82→09-84 | 23,8 | ATE | 3424-G | | | | |
| | ALL TYPES | 09-76→05-82 | 40 | ATE | 3396-G | 10752 | P-403201 | 4 | 32 |
| | 630 CS - 633 CSI | 04-76→09-76 | | | | 11683 | P-403004 | 4 | 30 |
| | 628 CSI - 635 CSI | 05-82→ | 57 | ATE | 3391-G | 10954 | P-575303 | 1 | 53 |
| | 628 CSI - 635 CSI | 05-82→ | 57 | ATE | 4983-G | | | | |
| | ALL TYPES | | 12 | ATE | 30023-G | | | | |
| | ALL TYPES | 05-82→ | 33 | ATE | 3422-G | 11041 | P-334801 | 1 | 48 |
| | 635 CSI | 04-76→09-90 | 35 | ATE | 4763-G | 11582 | P-354801 | 1 | 48 |
| | ALL TYPES | →01-89 | 42 | ATE | 3370-G | 10777 | P-422901 | 2 | 29,5 |
| | ALL TYPES | | 12 | ATE | 30023-G | | | | |
| | ALL TYPES | 01-82→ | 19 | ATE - FAG | 3173-G | | | | |
| | ALL TYPES | 05-82→ | 20,6 | ATE - FAG | 3174-G | | | | |
| | ALL TYPES | 05-82→01-86 | 20,6 | FAG | 4152-G | | | | |

6 SERIES (E63 - E64) 1-04→

| | | | | | | | | | |
|--|------------------------|-------------|----|-----|----------------|-------|----------|---|-------|
| | ALL TYPES | 09-03→06-10 | 42 | ATE | 4971-G | 11722 | P-425502 | 2 | 55,5 |
| | ALL TYPES | 09-03→06-10 | 60 | ATE | 4565-G | 10969 | P-605501 | 1 | 55,5 |
| | ALL TYPES EXCEPT 650Ci | 09-03→ | 12 | ATE | 30094-G | | | | |
| | 650 CI | 09-03→ | 12 | ATE | 30095-G | | | | |
| | ALL TYPES | | 42 | ATE | 4623-G | 11724 | P-425202 | 1 | 52,25 |
| | 645 - 650 - M6 | | 46 | ATE | 4885-G | 10817 | P-464801 | 1 | 48 |
| | ALL TYPES | | 12 | ATE | 30023-G | | | | |

6 SERIES (F06) 09-11→

| | | | | | | | | | |
|--|--------------------------------|--------|----|-----|---------------|--|--|--|--|
| | ALL TYPES (ELECTRIC HANDBRAKE) | 09-11→ | 44 | TRW | 6273-G | | | | |
|--|--------------------------------|--------|----|-----|---------------|--|--|--|--|

6 SERIES (F12 - F13) 06-11→

| | | | | | | | | | |
|--|--------------------------------|--------|----|-----|---------------|--|--|--|--|
| | ALL TYPES (ELECTRIC HANDBRAKE) | 11-10→ | 44 | TRW | 6273-G | | | | |
|--|--------------------------------|--------|----|-----|---------------|--|--|--|--|

7 SERIES (E23) 77→86

| | | | | | | | | | |
|--|-----------------------|-------------|------|-----------|----------------|-------|----------|---|----|
| | ALL TYPES (-ABS) | | 22,2 | ATE | 3117-G | | | | |
| | ALL TYPES | | 40 | ATE | 3396-G | 10752 | P-403201 | 4 | 32 |
| | ALL TYPES (2 PISTONS) | 01-79→01-81 | 33 | ATE | 3419-G | | | | |
| | ALL TYPES | 01-81→ | 33 | ATE | 3422-G | 11041 | P-334801 | 1 | 48 |
| | ALL TYPES | | 12 | ATE | 30023-G | | | | |
| | ALL TYPES | | 19 | ATE - FAG | 3173-G | | | | |
| | ALL TYPES | | 22,2 | ATE | 3399-G | | | | |



Master Cylinder



Front Caliper



Front Wheel Cylinder



Clutch Master Cylinder



Front Caliper Guides



Pressure Regulating Valve



Rear Caliper



Rear Wheel Cylinder



Clutch Slave Cylinder



Rear Caliper Guides

Ø
(mm.)

VERSION



BMW

9 of 11

7 SERIES (E32) 87→

| | | | | | | | | | |
|--|-----------------------------------|-------------|------|-------|----------------|-------|----------|---|----|
| | 730 - 735 - 750 | →01-94 | 25,4 | LUCAS | 4120-G | | | | |
| | ALL TYPES | | 25,4 | ATE | 4692-G | | | | |
| | 750i - 750iL | 01-90→06-94 | 40 | ATE | 6061-G | | | | |
| | ALL TYPES | 01-87→09-94 | 60 | ATE | 3133-G | 10596 | P-605302 | 1 | 53 |
| | ALL TYPES | | 12 | ATE | 30023-G | | | | |
| | 730i - II (DISC 10MM) | 12-86→09-94 | 38 | ATE | 3429-G | 10742 | P-385001 | 1 | 50 |
| | 730 - 735 - 740 - 750 (DISC 12MM) | 01-86→01-94 | 38 | ATE | 3648-G | 10745 | P-384801 | 1 | 48 |
| | 730 - 735 - 750 | 01-86→01-94 | 38 | ATE | 6018-G | | | | |
| | 740 - 750 | 01-90→01-95 | 40 | ATE | 4452-G | 10751 | P-404801 | 1 | 48 |
| | ALL TYPES | | 12 | ATE | 30023-G | | | | |
| | ALL TYPES | | 19 | FAG | 3425-G | | | | |
| | ALL TYPES | | 22,2 | ATE | 3399-G | | | | |
| | ALL TYPES | | 22,2 | FAG | 3426-G | | | | |

7 SERIES (E38) 94→

| | | | | | | | | | |
|--|---|-------------|------|--------|----------------|-------|----------|---|----|
| | ALL TYPES (DISC 20,6-25,4MM) | | 25,4 | LUCAS | 4561-G | | | | |
| | ALL TYPES | | 40 | BREMBO | 4887-G | 10764 | P-443201 | 2 | 32 |
| | | | | | | | P-403202 | 2 | 32 |
| | 750i | 11-93→ | 42 | ATE | 4621-G | 11702 | P-425601 | 2 | 56 |
| | ALL TYPES | | 60 | ATE | 3133-G | 10596 | P-605302 | 1 | 53 |
| | 740i - 740iL (6MM PISTON COLLAR) (NEW CALIPERS) | | 60 | ATE | 6039-G | 10975 | P-605303 | 1 | 53 |
| | ALL TYPES | | 12 | ATE | 30023-G | | | | |
| | ALL TYPES | 03-92→11-01 | 40 | ATE | 4703-G | 11678 | P-405202 | 1 | 52 |
| | ALL TYPES | | 12 | ATE | 30023-G | | | | |
| | ALL TYPES | | 22,2 | FAG | 3426-G | | | | |

7 SERIES (E65 - E66 - E67) 11-01→

| | | | | | | | | | |
|--|-----------------------|--------|----|-----|----------------|-------|----------|---|------|
| | ALL TYPES (DISC 36MM) | 01-03→ | 42 | ATE | 4971-G | 11722 | P-425502 | 2 | 55,5 |
| | ALL TYPES (DISC 30MM) | 11-01→ | 60 | ATE | 4565-G | 10969 | P-605501 | 1 | 55,5 |
| | ALL TYPES (DISC 30MM) | 11-01→ | 12 | ATE | 30094-G | | | | |
| | ALL TYPES (DISC 36MM) | 01-03→ | 12 | ATE | 30095-G | | | | |
| | ALL TYPES | | 46 | ATE | 4885-G | 10817 | P-464801 | 1 | 48 |
| | ALL TYPES | | 12 | ATE | 30023-G | | | | |

7 SERIES (F01 - F02 - F03 - F04) 10-08→

| | | | | | | | | | |
|--|-----------|--------|----|-----|----------------|-------|----------|---|------|
| | ALL TYPES | | 60 | ATE | 6321-G | 11452 | P-605501 | 1 | 55,5 |
| | ALL TYPES | 10-08→ | 16 | ATE | 30148-G | | | | |

8 SERIES (E31) 90→

| | | | | | | | | | |
|--|-----------|-------------|----|--------|----------------|-------|----------|---|----|
| | ALL TYPES | | 40 | BREMBO | 4887-G | 10764 | P-443201 | 2 | 32 |
| | | | | | | | P-403202 | 2 | 32 |
| | 850 CSI | 12-92→ | 40 | ATE | 6061-G | | | | |
| | ALL TYPES | 01-90→01-00 | 60 | ATE | 3133-G | 10596 | P-605302 | 1 | 53 |
| | ALL TYPES | | 12 | ATE | 30023-G | | | | |
| | 840 - 850 | | 40 | ATE | 4452-G | 10751 | P-404801 | 1 | 48 |
| | 850 CSI | 04-93→01-97 | 40 | ATE | 4703-G | 11688 | P-405203 | 1 | 52 |
| | ALL TYPES | | 12 | ATE | 30023-G | | | | |
| | ALL TYPES | | 19 | FAG | 3425-G | | | | |



Master Cylinder



Front Caliper



Front Wheel Cylinder



Clutch Master Cylinder



Front Caliper Guides



Pressure Regulating Valve



Rear Caliper



Rear Wheel Cylinder



Clutch Slave Cylinder



Rear Caliper Guides

Ø
(mm.)

VERSION



BMW

10 of 11

X1 (E84) 03-09 →

| | | | | | | | | | |
|--|----------------------|--------|----|-----|----------------|-------|----------|---|------|
| | ALL TYPES | 09-09→ | 57 | ATE | 4768-G | 10589 | P-575504 | 1 | 55,4 |
| | | | | | | 10932 | P-575503 | 1 | 55,5 |
| | 28i (DISC 30MM) | 09-09→ | 57 | ATE | 6042-G | 10953 | P-575503 | 1 | 55,5 |
| | ALL TYPES EXCEPT 28i | 09-09→ | 12 | ATE | 30023-G | | | | |
| | 28i (DISC 30MM) | 09-09→ | 12 | ATE | 30094-G | | | | |
| | ALL TYPES | 09-09→ | 42 | ATE | 4623-G | 11700 | P-425002 | 1 | 50,5 |
| | ALL TYPES | 09-09→ | 44 | ATE | 4891-G | 11753 | P-445501 | 1 | 55,5 |
| | ALL TYPES | 09-09→ | 12 | ATE | 30023-G | | | | |

X3 (E83)

| | | | | | | | | | |
|--|--------------------------|--------|----|-----|----------------|-------|----------|---|----|
| | ALL TYPES | 01-04→ | 57 | ATE | 4768-G | 10588 | P-575301 | 1 | 53 |
| | 3.0 SD | | 60 | ATE | 6039-G | 10975 | P-605303 | 1 | 53 |
| | ALL TYPES | | 12 | ATE | 30023-G | | | | |
| | ALL TYPES | 01-04→ | 42 | ATE | 4623-G | 10690 | P-424802 | 1 | 48 |
| | ALL TYPES | | 12 | ATE | 30023-G | | | | |
| | ALL TYPES (PLASTIC BODY) | 01-04→ | 19 | FAG | 4849-G | | | | |

X5 (E53) 01 →

| | | | | | | | | | |
|--|--|--------|------|-------|----------------|-------|----------|---|----|
| | ALL TYPES | 01-01→ | 25,4 | LUCAS | 4561-G | | | | |
| | 4.6IS - 4.8IS | 02-02→ | 42 | ATE | 6256-G | 11713 | P-425601 | 2 | 56 |
| | ALL TYPES | →11-05 | 60 | ATE | 3133-G | 10596 | P-605302 | 1 | 53 |
| | ALL TYPES (6MM PISTON COLLAR) (NEW CALIPERS) | | 60 | ATE | 6039-G | 10975 | P-605303 | 1 | 53 |
| | ALL TYPES (-4,6IS & 4,8IS) | | 12 | ATE | 30023-G | | | | |
| | ALL TYPES | | 42 | ATE | 4777-G | 10771 | P-425201 | 1 | 52 |
| | ALL TYPES | | 12 | ATE | 30023-G | | | | |
| | ALL TYPES (PLASTIC BODY) | | 19 | FAG | 4849-G | | | | |

X5 (E70) 02-07 →

| | | | | | | | | | |
|--|-----------------------|--------|----|-----|----------------|-------|----------|---|------|
| | ALL TYPES (2 PISTONS) | 02-07→ | 42 | ATE | 6251-G | 11716 | P-425501 | 2 | 55,5 |
| | ALL TYPES | | 60 | ATE | 4565-G | 10963 | P-605502 | 1 | 55,5 |
| | ALL TYPES | 02-07→ | 16 | ATE | 30148-G | | | | |
| | ALL TYPES | | 44 | ATE | 4891-G | 11761 | P-445002 | 1 | 50,5 |

X5 (F15)

| | | | | | | | | | |
|--|------------------------|--------|----|-----|---------------|-------|----------|---|------|
| | xDrive 50i (2 PISTONS) | 11-12→ | 42 | ATE | 6251-G | 11716 | P-425501 | 2 | 55,5 |
|--|------------------------|--------|----|-----|---------------|-------|----------|---|------|

X6 (E71 - E72)

| | | | | | | | | | |
|--|-----------------------|--------|----|-----|----------------|-------|----------|---|------|
| | ALL TYPES (2 PISTONS) | 05-08→ | 42 | ATE | 6251-G | 11716 | P-425501 | 2 | 55,5 |
| | ALL TYPES | 05-08→ | 60 | ATE | 4565-G | 10963 | P-605502 | 1 | 55,5 |
| | ALL TYPES | 05-08→ | 16 | ATE | 30148-G | | | | |
| | ALL TYPES | | 44 | ATE | 4891-G | 11761 | P-445002 | 1 | 50,5 |



Master Cylinder



Front Caliper



Front Wheel Cylinder



Clutch Master Cylinder



Front Caliper Guides



Pressure Regulating Valve



Rear Caliper



Rear Wheel Cylinder



Clutch Slave Cylinder



Rear Caliper Guides

Ø
(mm.)

VERSION



BMW

11 of 11

Z1

| | | | | | | | | | |
|--|-----------|-------------|------|-----------|----------------|-------|----------|---|----|
| | ALL TYPES | 01-88→01-91 | 48 | ATE | 3130-G | 10548 | P-484802 | 1 | 48 |
| | ALL TYPES | 01-88→01-91 | 48 | LUCAS | 3267-G | 10547 | P-484802 | 1 | 48 |
| | ALL TYPES | 01-88→01-91 | 48 | ATE | 6173-G | | | | |
| | ALL TYPES | | 12 | ATE | 30023-G | | | | |
| | 2.5 | 06-88→06-91 | 36 | ATE | 3483-G | 10725 | P-364803 | 1 | 48 |
| | ALL TYPES | | 12 | ATE | 30023-G | | | | |
| | ALL TYPES | | 19 | FAG | 3425-G | | | | |
| | ALL TYPES | | 20,6 | ATE - FAG | 3174-G | | | | |

Z3

| | | | | | | | | | |
|--|--------------|-------------|------|-----|----------------|-------|----------|---|------|
| | ALL TYPES | | 54 | ATE | 3073-G | 10629 | P-544801 | 1 | 48,1 |
| | M 3.2 SERIES | 01-97→ | 60 | ATE | 3133-G | 10596 | P-605302 | 1 | 53 |
| | ALL TYPES | | 12 | ATE | 30023-G | | | | |
| | ALL TYPES | 10-95→06-03 | 36 | ATE | 3483-G | 10725 | P-364803 | 1 | 48 |
| | M 3.2 | 03-97→ | 40 | ATE | 4452-G | 10751 | P-404801 | 1 | 48 |
| | ALL TYPES | | 12 | ATE | 30023-G | | | | |
| | ALL TYPES | | 19 | FAG | 6353-G | | | | |
| | ALL TYPES | 01-95→ | 20,6 | FAG | 4204-G | | | | |

Z4 (E85)

| | | | | | | | | | |
|--|--------------------------|-------------|----|-----|----------------|-------|----------|---|------|
| | 2.0i | 01-05→ | 54 | ATE | 3073-G | 10629 | P-544801 | 1 | 48,1 |
| | ALL TYPES | | 12 | ATE | 30023-G | | | | |
| | 2.5 - 3.0 | 02-03→ | 40 | ATE | 4452-G | 10751 | P-404801 | 1 | 48 |
| | M | 02-03→12-09 | 46 | ATE | 4885-G | 10817 | P-464801 | 1 | 48 |
| | ALL TYPES | | 12 | ATE | 30023-G | | | | |
| | ALL TYPES (PLASTIC BODY) | 01-03→ | 19 | FAG | 4849-G | | | | |

Z4 (E86)

| | | | | | | | | | |
|--|-------------|-------------|----|-----|---------------|-------|----------|---|----|
| | COUPE 3.0SI | 03-06→01-09 | 40 | ATE | 4452-G | 10751 | P-404801 | 1 | 48 |
| | COUPE M | 03-06→01-09 | 46 | ATE | 4885-G | 10817 | P-464801 | 1 | 48 |

Z4 (E89)

| | | | | | | | | | |
|--|-----------|--------|----|-----|----------------|--|--|--|--|
| | ALL TYPES | 05-09→ | 12 | ATE | 30094-G | | | | |
|--|-----------|--------|----|-----|----------------|--|--|--|--|

Z8

| | | | | | | | | | |
|--|--------------------------|-------------|----|-----|---------------|--|--|--|--|
| | ALL TYPES (PLASTIC BODY) | 01-00→01-03 | 19 | FAG | 4849-G | | | | |
|--|--------------------------|-------------|----|-----|---------------|--|--|--|--|



Master Cylinder



Front Caliper



Front Wheel Cylinder



Clutch Master Cylinder



Front Caliper Guides



Pressure Regulating Valve



Rear Caliper



Rear Wheel Cylinder



Clutch Slave Cylinder



Rear Caliper Guides

Ø
(mm.)

VERSION



CHEVROLET

1 of 2

AVEO

| | | | | | | | | | |
|--|--------------------|--------|----|-----|----------------|-------|----------|---|------|
| | ALL TYPES T250-255 | 03-06→ | 52 | DAC | 4724-G | 10878 | P-524802 | 1 | 48,8 |
| | ALL TYPES T300 | 03-11→ | 54 | DAC | 6306-G | 11375 | P-544904 | 1 | 49 |
| | ALL TYPES T300 | 03-11→ | 60 | ATE | 6170-G | 11463 | P-605103 | 1 | 51 |
| | ALL TYPES T300 | 03-11→ | 10 | ATE | 30140-G | | | | |
| | ALL TYPES T250-255 | 03-06→ | 10 | DAC | 30142-G | | | | |

CAPTIVA

| | | | | | | | | | |
|--|-----------|--------|-----|-------|----------------|-------|----------|---|------|
| | ALL TYPES | 06-06→ | 45 | MANDO | 6066-G | 11776 | P-454801 | 2 | 48 |
| | ALL TYPES | 06-06→ | 9,9 | MANDO | 30061-G | | | | |
| | ALL TYPES | 06-06→ | 40 | MANDO | 6041-G | 10766 | P-404903 | 1 | 49,6 |

CRUZE

| | | | | | | | | | |
|--|-----------|--------|----|-----|----------------|-------|----------|---|----|
| | ALL TYPES | 05-09→ | 60 | ATE | 6170-G | 11463 | P-605103 | 1 | 51 |
| | ALL TYPES | 05-09→ | 10 | ATE | 30140-G | | | | |
| | ALL TYPES | 05-09→ | 38 | ATE | 6241-G | 11640 | P-384805 | 1 | 48 |
| | | | | | | 11647 | K-384805 | 1 | 48 |
| | ALL TYPES | 01-12→ | 40 | ATE | 6247-G | 11197 | P-404803 | 1 | 48 |
| | | | | | | 11686 | K-404803 | 1 | 48 |
| | ALL TYPES | 05-09→ | 10 | ATE | 30083-G | | | | |

EPICA

| | | | | | | | | | |
|--|-----------|--------|----|----------|----------------|-------|----------|---|----|
| | ALL TYPES | 01-05→ | 57 | DAC | 4829-G | 11436 | P-574903 | 1 | 49 |
| | ALL TYPES | 01-05→ | 10 | DAC | 30058-G | | | | |
| | ALL TYPES | 01-05→ | 35 | DAC | 4771-G | 11083 | P-354901 | 1 | 49 |
| | ALL TYPES | 01-05→ | 10 | SUMITOMO | 30071-G | | | | |
| | ALL TYPES | 01-05→ | 10 | DAC | 30154-G | | | | |

EVANDA

| | | | | | | | | | |
|--|-----------|--------|----|----------|----------------|-------|----------|---|----|
| | ALL TYPES | 08-02→ | 57 | DAC | 4829-G | 11436 | P-574903 | 1 | 49 |
| | ALL TYPES | 08-02→ | 10 | DAC | 30058-G | | | | |
| | ALL TYPES | 08-02→ | 35 | DAC | 4771-G | 11083 | P-354901 | 1 | 49 |
| | ALL TYPES | 03-05→ | 10 | SUMITOMO | 30071-G | | | | |
| | ALL TYPES | 03-05→ | 10 | DAC | 30154-G | | | | |

HHR

| | | | | | | | | | |
|--|-----------|--------|----|---------|---------------|--|--|--|--|
| | ALL TYPES | 01-06→ | 60 | AKEBONO | 4760-G | | | | |
|--|-----------|--------|----|---------|---------------|--|--|--|--|

KALOS

| | | | | | | | | | |
|--|-----------|--------|------|---------|----------------|--|--|--|--|
| | ALL TYPES | 03-05→ | 10 | AKEBONO | 30142-G | | | | |
| | ALL TYPES | | 15,9 | | 4782-G | | | | |
| | ALL TYPES | | 20,6 | | 4783-G | | | | |

LACETTI

| | | | | | | | | | |
|--|------------------|--------|----|----------|----------------|-------|----------|---|------|
| | ALL TYPES | 03-05→ | 10 | DAC | 30058-G | | | | |
| | 1.4 - 1.6 - 1.8 | 03-05→ | 32 | DAC | 4744-G | 11528 | P-324503 | 1 | 45,8 |
| | (J200) ALL TYPES | 03-05→ | 10 | SUMITOMO | 30142-G | | | | |

MATIZ

| | | | | | | | | | |
|--|-----------|--------|----|-----|----------------|-------|----------|---|------|
| | ALL TYPES | 03-05→ | 48 | DAC | 4823-G | 10673 | P-484804 | 1 | 48,5 |
| | ALL TYPES | 03-05→ | 10 | DAC | 30017-G | | | | |



Master Cylinder



Front Caliper



Front Wheel Cylinder



Clutch Master Cylinder



Front Caliper Guides



Pressure Regulating Valve



Rear Caliper



Rear Wheel Cylinder



Clutch Slave Cylinder



Rear Caliper Guides

Ø
(mm.)

VERSION



CHEVROLET

2 of 2

NUBIRA

| | | | | | | | | | |
|--|-------------------------|-------------|------|-----|----------------|-------|----------|---|------|
| | ALL TYPES (22,2-23,8MM) | | 22,2 | | 3525-G | | | | |
| | ALL TYPES | 02-97→07-03 | 54 | DAC | 4502-G | 10903 | P-544904 | 1 | 49 |
| | ALL TYPES | 07-03→ | 54 | DAC | 4746-G | 10626 | P-544904 | 1 | 49 |
| | ALL TYPES | 07-03→ | 10 | DAC | 30058-G | | | | |
| | S E | | 20,6 | | 2674-G | | | | |
| | ALL TYPES | 05-97→07-03 | 32 | DAC | 4267-G | 11526 | P-324401 | 1 | 44 |
| | ALL TYPES | 07-03→ | 32 | DAC | 4744-G | 11528 | P-324503 | 1 | 45,8 |
| | ALL TYPES | 01-05→ | 10 | DAC | 30142-G | | | | |
| | ALL TYPES | 12-00→ | 15,9 | | 3521-G | | | | |
| | ALL TYPES | | 20,6 | | 3522-G | | | | |

ORLANDO

| | | | | | | | | | |
|--|-----------|--------|----|-----|----------------|-------|----------|---|----|
| | ALL TYPES | 02-11→ | 60 | ATE | 6170-G | 11463 | P-605103 | 1 | 51 |
| | ALL TYPES | 02-11→ | 10 | ATE | 30140-G | | | | |
| | ALL TYPES | 01-11→ | 40 | ATE | 6247-G | 11197 | P-404803 | 1 | 48 |
| | | | | | | 11686 | K-404803 | 1 | 48 |
| | ALL TYPES | 02-11→ | 10 | ATE | 30083-G | | | | |

SONIC

| | | | | | | | | | |
|--|------------------|--------|----|-----|----------------|--|--|--|--|
| | (T300) ALL TYPES | 03-11→ | 10 | ATE | 30140-G | | | | |
|--|------------------|--------|----|-----|----------------|--|--|--|--|

SPARK

| | | | | | | | | | |
|--|-----------|-------------|----|-----|----------------|-------|----------|---|------|
| | ALL TYPES | 09-05→02-10 | 48 | DAC | 4823-G | 10673 | P-484804 | 1 | 48,5 |
| | ALL TYPES | 03-10→ | 52 | DAC | 4724-G | 10878 | P-524802 | 1 | 48,8 |
| | ALL TYPES | 09-05→ | 10 | DAC | 30017-G | | | | |

TACUMA

| | | | | | | | | | |
|--|-----------|--------|------|-----|----------------|-------|----------|---|----|
| | ALL TYPES | 09-00→ | 23,8 | | 4796-G | | | | |
| | ALL TYPES | 09-00→ | 57 | DAC | 4829-G | 11436 | P-574903 | 1 | 49 |
| | ALL TYPES | 03-05→ | 10 | DAC | 30058-G | | | | |
| | ALL TYPES | 09-00→ | 20,6 | | 4950-G | | | | |
| | ALL TYPES | 09-00→ | 15,9 | | 3521-G | | | | |
| | ALL TYPES | 09-00→ | 20,6 | | 4943-G | | | | |

TRANS SPORT

| | | | | | | | | | |
|--|-----------|--------|----|--------------|---------------|-------|----------|---|------|
| | ALL TYPES | 01-96→ | 63 | KELSEY-HAYES | 4308-G | 11481 | P-635901 | 1 | 59,5 |
| | ALL TYPES | 01-96→ | 38 | AKEBONO | 4307-G | 11128 | P-384602 | 1 | 46 |

TRAX

| | | | | | | | | | |
|--|-----------|--------|----|-----|----------------|--|--|--|--|
| | ALL TYPES | 12-12→ | 10 | ATE | 30140-G | | | | |
| | ALL TYPES | 12-12→ | 10 | ATE | 30083-G | | | | |



Master Cylinder



Front Caliper



Front Wheel Cylinder



Clutch Master Cylinder



Front Caliper Guides



Pressure Regulating Valve



Rear Caliper



Rear Wheel Cylinder



Clutch Slave Cylinder



Rear Caliper Guides

Ø
(mm.)

VERSION

**CHRYSLER**

1 of 2

300C

| | | | | | | | | | |
|--|-----------|--------|-----|-----|----------------|-------|----------|---|----|
| | ALL TYPES | 01-05→ | 42 | | 6258-G | 11717 | P-425302 | 2 | 53 |
| | ALL TYPES | 01-05→ | 60 | PBR | 6370-G | 11835 | P-605504 | 1 | 55 |
| | ALL TYPES | 01-05→ | 9,8 | | 30054-G | | | | |

300M

| | | | | | | | | | |
|--|------------|--------|----|--------------|----------------|-------|----------|---|----|
| | ALL TYPES | 01-98→ | 60 | KELSEY-HAYES | 4296-G | 11472 | P-605203 | 1 | 52 |
| | ALL TYPES | 01-98→ | 60 | KELSEY-HAYES | 4306-G | | | | |
| | 300 M (LR) | 01-98→ | 14 | KELSEY-HAYES | 30103-G | | | | |

CONCORDE

| | | | | | | | | | |
|--|-----------|-------------|----|--------------|----------------|--|--|--|--|
| | ALL TYPES | 10-97→09-03 | 14 | KELSEY-HAYES | 30103-G | | | | |
|--|-----------|-------------|----|--------------|----------------|--|--|--|--|

LE BARON

| | | | | | | | | | |
|--|---------------|--------|----|--------------|---------------|-------|----------|---|------|
| | 2.2 GTC TURBO | 00-89→ | 60 | KELSEY-HAYES | 4296-G | 11451 | P-605002 | 1 | 50,5 |
|--|---------------|--------|----|--------------|---------------|-------|----------|---|------|

NEON

| | | | | | | | | | |
|--|-----------|-------------|------|----------------|----------------|-------|----------|---|----|
| | ALL TYPES | 01-95→01-99 | 22,2 | BEDNIX - BOSCH | 4138-G | | | | |
| | PL SERIES | 05-94→02-00 | 54 | KELSEY-HAYES | 6304-G | 11403 | P-545204 | 1 | 52 |
| | ALL TYPES | 01-95→01-99 | 15,9 | | 10278-G | | | | |
| | PL SERIES | 05-94→02-00 | 34 | KELSEY-HAYES | 6223-G | 11546 | P-344901 | 1 | 49 |

PT CRUISER

| | | | | | | | | | |
|--|--------------------|--------|------|----------------|----------------|-------|----------|---|-------|
| | 2.0 - 2.2CRD - 2.4 | 01-00→ | 23,8 | BEDNIX - BOSCH | 6205-G | | | | |
| | ALL TYPES | 06-00→ | 57 | LUCAS | 6063-G | 11439 | P-575305 | 1 | 53,75 |
| | ALL TYPES | 06-00→ | 10 | LUCAS | 30067-G | | | | |
| | ALL TYPES | 06-00→ | 36 | KELSEY-HAYES | 6096-G | 11599 | P-364804 | 1 | 48,5 |
| | ALL TYPES | 06-00→ | 14 | KELSEY-HAYES | 30103-G | | | | |

SEBRING

| | | | | | | | | | |
|--|-----------|--------|----|---------|----------------|-------|----------|---|------|
| | ALL TYPES | 02-07→ | 57 | AKEBONO | 6314-G | 11440 | P-574802 | 1 | 48 |
| | ALL TYPES | 07-07→ | 10 | AKEBONO | 30085-G | | | | |
| | ALL TYPES | 07-07→ | 35 | AKEBONO | 6230-G | 11093 | P-354502 | 1 | 45,8 |
| | ALL TYPES | 07-07→ | 10 | AKEBONO | 30074-G | | | | |

STRATUS

| | | | | | | | | | |
|--|------------------|--|------|----------------|---------------|--|--|--|--|
| | ALL TYPES (-ABS) | | 22,2 | BEDNIX - BOSCH | 4135-G | | | | |
| | ALL TYPES | | 54 | BEDNIX - BOSCH | 4298-G | | | | |
| | ALL TYPES | | 19 | | 4589-G | | | | |



Master Cylinder



Front Caliper



Front Wheel Cylinder



Clutch Master Cylinder



Front Caliper Guides



Pressure Regulating Valve



Rear Caliper



Rear Wheel Cylinder



Clutch Slave Cylinder



Rear Caliper Guides



∅
(mm.)

VERSION



CHRYSLER

2 of 2

VOYAGER

| | | | | | | | | | |
|--|-----------------------------------|-------------|------|--------------------|----------------|-------|----------|---|------|
| | ALL TYPES | →01-96 | 23,8 | | 4139-G | | | | |
| | II SERIES (GS) | 01-95→03-01 | 23,8 | BEDNIX - BOSCH | 4901-G | | | | |
| | I - II - III SERIES | 08-84→12-00 | 60 | KELSEY-HAYES | 4296-G | 10956 | P-605201 | 1 | 52 |
| | III SERIES (WITH GUIDE PIN) | 01-99→12-00 | 66 | ATE - KELSEY-HAYES | 4295-G | 11486 | P-665202 | 1 | 52 |
| | IV SERIES (WITH GUIDE PIN) | 01-01→12-07 | | | | | P-665202 | 1 | 52 |
| | III SERIES | 12-00→ | 66 | ATE | 6099-G | | | | |
| | IV SERIES (WITH GUIDE BOLT) (4WD) | 01-01→12-07 | 66 | ATE | 6137-G | 11487 | P-665201 | 1 | 52 |
| | GRAND VOYAGER | 10-07→ | 66 | TRW | 6182-G | 11488 | P-665302 | 1 | 53,4 |
| | V SERIES (RT) | 10-07→ | 8 | LUCAS | 30004-G | | | | |
| | IV SERIES | 01-01→12-07 | 14 | ATE | 30103-G | | | | |
| | II - III SERIES | 08-90→12-00 | | KELSEY-HAYES | | | | | |
| | ALL TYPES | | 19 | BEDNIX - BOSCH | 10168-G | | | | |
| | ALL TYPES | 01-96→01-99 | 42 | | 4297-G | | | | |
| | III - IV SERIES | 01-99→ | 42 | ATE | 4707-G | 10773 | P-425001 | 1 | 51 |
| | GRAND VOYAGER | 07-07→ | 43 | VARGAS | 6077-G | 10794 | P-425102 | 1 | 51,3 |
| | GRAND VOYAGER | 07-07→ | 43 | VARGAS | 6265-G | 11751 | K-425102 | 1 | 51,3 |
| | GRAND VOYAGER | 07-07→ | 8,4 | VARGAS | 30046-G | | | | |



Master Cylinder



Front Caliper



Front Wheel Cylinder



Clutch Master Cylinder



Front Caliper Guides



Pressure Regulating Valve



Rear Caliper



Rear Wheel Cylinder



Clutch Slave Cylinder



Rear Caliper Guides

Ø
(mm.)

VERSION

**CITROËN**

2 of 11

BERLINGO

| | | | | | | | | | |
|--|-----------------|--------|------|----------------|----------------|-------|----------|---|------|
| | ALL TYPES | 01-95→ | 23,8 | BEDNIX - BOSCH | 3402-G | | | | |
| | ALL TYPES (ABS) | 01-96→ | 23,8 | BENDIX - BOSCH | 4681-G | | | | |
| | ALL TYPES | 07-96→ | 54 | LUCAS | 3649-G | 10571 | P-545301 | 1 | 53,7 |
| | ALL TYPES | 07-96→ | 54 | BOSCH | 4632-G | 10911 | P-545102 | 1 | 51,5 |
| | ALL TYPES | 04-08→ | 60 | ATE | 4565-G | 10963 | P-605502 | 1 | 55,5 |
| | M - MF SERIES | 06-96→ | 8 | LUCAS | 30006-G | | | | |
| | ALL TYPES | 11-02→ | 10 | BOSCH | 30014-G | | | | |
| | ALL TYPES | 07-96→ | 10 | BOSCH | 30015-G | | | | |
| | ALL TYPES | | 22,2 | LUCAS | 3063-G | | | | |
| | ALL TYPES | 07-96→ | 38 | LUCAS | 4442-G | 10520 | P-385101 | 1 | 51 |
| | | | | | | 11651 | K-385101 | 1 | 51 |
| | II SERIES | 04-08→ | 8 | LUCAS | 30004-G | | | | |

BX

| | | | | | | | | | |
|--|--------------------------|-------------|----|----------------|----------------|--|--|--|--|
| | ALL TYPES (MASTER VALVE) | | 42 | | 3401-G | | | | |
| | ALL TYPES | 10-82→12-94 | 50 | BEDNIX - BOSCH | 3103-G | | | | |
| | ALL TYPES | 10-82→12-94 | 20 | BEDNIX - BOSCH | 30038-G | | | | |
| | ALL TYPES (2 PISTONS) | | 30 | | 2660-G | | | | |

C CROSSER

| | | | | | | | | | |
|--|-----------|--------|----|---------|----------------|-------|----------|---|------|
| | ALL TYPES | 02-07→ | 43 | AKEBONO | 3559-G | 10671 | P-434501 | 2 | 44,8 |
| | ALL TYPES | 02-07→ | 11 | AKEBONO | 30087-G | | | | |
| | ALL TYPES | 02-07→ | 38 | AKEBONO | 4917-G | 11129 | P-384602 | 1 | 46 |
| | ALL TYPES | 02-07→ | 10 | AKEBONO | 30074-G | | | | |

C1

| | | | | | | | | | |
|--|-----------|--------|------|-------|----------------|-------|----------|---|------|
| | ALL TYPES | 06-05→ | 20,6 | BOSCH | 4928-G | | | | |
| | ALL TYPES | 06-05→ | 48 | BOSCH | 4645-G | 10841 | P-485203 | 1 | 52,5 |
| | ALL TYPES | 06-05→ | 10 | BOSCH | 30015-G | | | | |
| | ALL TYPES | 06-05→ | 17,5 | BOSCH | 4909-G | | | | |

C15

| | | | | | | | | | |
|--|-------------------------------|-------------|------|----------------|---------------|-------|----------|---|------|
| | E (954) | 01-86→01-88 | 17,5 | BEDNIX - BOSCH | 3098-G | | | | |
| | PETROL | | 19 | BEDNIX - BOSCH | 3078-G | | | | |
| | ALL TYPES (PETROL - DIESEL) | | 20,6 | BEDNIX - BOSCH | 3039-G | | | | |
| | I SERIES TYPE E (2 PISTONS) | 01-84→ | 45 | CITROËN | 3099-G | | | | |
| | ALL TYPES | | 45 | | 3100-G | 11774 | P-452601 | 2 | 26,5 |
| | ALL TYPES | 10-84→01-01 | 48 | ATE - LUCAS | 3125-G | 10538 | P-485302 | 1 | 53,6 |
| | ALL TYPES | 10-84→01-01 | 24 | LUCAS | 10256 | | | | |
| | ALL TYPES | | 22,2 | BEDNIX - BOSCH | 2602-G | | | | |
| | DIESEL (RUBBER CUP/SEAL TYPE) | | 22,2 | BEDNIX - BOSCH | 3126-G | | | | |
| | ALL TYPES | | 14 | | 3067-G | | | | |



Master Cylinder



Front Caliper



Front Wheel Cylinder



Clutch Master Cylinder



Front Caliper Guides



Pressure Regulating Valve



Rear Caliper



Rear Wheel Cylinder



Clutch Slave Cylinder



Rear Caliper Guides

Ø
(mm.)

VERSION

**CITROËN****3 of 11****C2**

| | | | | | | | | | |
|--|-----------------------------|--------|------|-------|----------------|-------|----------|---|------|
| | ALL TYPES | 01-03→ | 20,6 | LUCAS | 4788-G | | | | |
| | ALL TYPES | 01-02→ | 22,2 | LUCAS | 4792-G | | | | |
| | 1.1 - 1.4 - 1.4HDI | 09-03→ | 48 | LUCAS | 4717-G | 10558 | P-485302 | 1 | 53,6 |
| | 1.1 - 1.4 - 1.4HDI | 09-03→ | 48 | LUCAS | 6285-G | | | | |
| | ALL TYPES | 01-05→ | 54 | BOSCH | 4632-G | 10568 | P-545201 | 1 | 52,5 |
| | 1.4 - 1.6 -HDI | 01-01→ | 54 | LUCAS | 4726-G | 10914 | P-545301 | 1 | 53,7 |
| | ALL TYPES | 09-03→ | 8 | LUCAS | 30006-G | | | | |
| | ALL TYPES (VENTILATED DISC) | 09-03→ | 8,4 | LUCAS | 30046-G | | | | |
| | ALL TYPES | 01-05→ | 10 | BOSCH | 30014-G | | | | |
| | ALL TYPES (-ABS) | 09-03→ | 19 | LUCAS | 4177-G | | | | |
| | ALL TYPES | 09-03→ | 38 | LUCAS | 4442-G | 10520 | P-385101 | 1 | 51 |
| | | | | | | 11651 | K-385101 | 1 | 51 |
| | ALL TYPES | 09-03→ | 8 | LUCAS | 30004-G | | | | |
| | ALL TYPES | 09-03→ | 19 | FAG | 4821-G | | | | |

C25

| | | | | | | | | | |
|--|-----------------------------------|-------------|------|----------------|----------------|-------|----------|---|------|
| | ALL TYPES | 01-81→ | 22,2 | BEDNIX - BOSCH | 3189-G | | | | |
| | ALL TYPES | | 38 | LUCAS | 3181-G | 10739 | P-485302 | 1 | 53,6 |
| | | | | | | | P-385301 | 1 | 53,6 |
| | TURBO DIESEL | | 43 | GIRLING | 3651-G | 10791 | P-485302 | 1 | 53,6 |
| | | | | | | | P-435301 | 1 | 53,6 |
| | ALL TYPES | 09-81→03-94 | 12 | LUCAS | 30090-G | | | | |
| | ALL TYPES (→CH. 73500) | | 22,2 | LUCAS | 3063-G | | | | |
| | ALL TYPES | 11-81→12-86 | 22,2 | LUCAS | 4159-G | | | | |
| | ALL TYPES CH.73501→ (LAST SERIES) | | 25,4 | LUCAS | 3055-G | | | | |
| | 1.8 | 01-85→ | 27 | LUCAS | 3288-G | | | | |

C3

| | | | | | | | | | |
|--|-----------------------------|--------|------|-------|----------------|-------|----------|---|------|
| | ALL TYPES | 02-02→ | 20,6 | LUCAS | 4788-G | | | | |
| | ALL TYPES | 02-02→ | 22,2 | LUCAS | 4792-G | | | | |
| | ALL TYPES | 02-02→ | 48 | LUCAS | 4717-G | 10558 | P-485302 | 1 | 53,6 |
| | ALL TYPES | 02-02→ | 48 | LUCAS | 6285-G | | | | |
| | PICASSO | 02-09→ | 54 | BOSCH | 4632-G | 10568 | P-545201 | 1 | 52,5 |
| | 1.4 - 1.6 -HDI | 01-03→ | 54 | LUCAS | 4726-G | 10914 | P-545301 | 1 | 53,7 |
| | ALL TYPES | 01-03→ | 8 | LUCAS | 30006-G | | | | |
| | ALL TYPES (VENTILATED DISC) | 02-02→ | 8,4 | LUCAS | 30046-G | | | | |
| | II SERIES - PICASSO | 02-09→ | 10 | BOSCH | 30014-G | | | | |
| | 1.4 - 1.4HDI | 02-02→ | 19 | LUCAS | 4177-G | | | | |
| | ALL TYPES | 02-02→ | 38 | LUCAS | 4442-G | 10520 | P-385101 | 1 | 51 |
| | | | | | | 11651 | K-385101 | 1 | 51 |
| | ALL TYPES | 02-02→ | 8 | LUCAS | 30004-G | | | | |
| | 1.4HDI 16V - 1.6 16VHDI | 02-02→ | 19 | FAG | 4819-G | | | | |
| | ALL TYPES | 02-02→ | 19 | FAG | 4821-G | | | | |

C32 - C35

| | | | | | | | | | |
|--|-----------|--------|----|--|---------------|-------|----------|---|----|
| | ALL TYPES | 01-73→ | 42 | | 2659-G | 11707 | P-422601 | 2 | 26 |
|--|-----------|--------|----|--|---------------|-------|----------|---|----|



Master Cylinder



Front Caliper



Front Wheel Cylinder



Clutch Master Cylinder



Front Caliper Guides



Pressure Regulating Valve



Rear Caliper



Rear Wheel Cylinder



Clutch Slave Cylinder



Rear Caliper Guides

Ø
(mm.)

VERSION



CITROËN

4 of 11

C4

| | | | | | | | | | |
|--|-------------------------|--------|------|---------|----------------|-------|------------|---|-------|
| | ALL TYPES | 01-04→ | 22,2 | BOSCH | 4102-G | | | | |
| | ALL TYPES | | 23,8 | BOSCH | 4856-G | | | | |
| | ALL TYPES | 11-04→ | 54 | BOSCH | 4632-G | 10911 | P-545102 | 1 | 51,5 |
| | ALL TYPES | 11-04→ | 57 | ATE | 4768-G | 10589 | P-575504 | 1 | 55,4 |
| | PICASSO - GRAND PICASSO | 10-06→ | 60 | ATE | 4565-G | 10963 | P-605502 | 1 | 55,5 |
| | ALL TYPES | 11-04→ | 10 | BOSCH | 30014-G | | | | |
| | AIRCROSS | 04-12→ | 10 | AKEBONO | 30085-G | | | | |
| | ALL TYPES | 11-09→ | 10 | TRW | 30152-G | | | | |
| | ALL TYPES | 11-04→ | 12 | ATE | 30023-G | | | | |
| | ALL TYPES | 11-04→ | 38 | LUCAS | 4442-G | 10520 | P-385101 | 1 | 51 |
| | | | | | | 11651 | K-385101 | 1 | 51 |
| | ALL TYPES | 11-04→ | 38 | BOSCH | 4661-G | 10685 | P-384901 | 1 | 49 |
| | | | | | | 11619 | K-384901-R | 1 | 49 |
| | | | | | | 11618 | K-384901-L | 1 | 49 |
| | ALL TYPES | 11-04→ | 38 | BOSCH | 4858-G | 10631 | P-384901 | 1 | 49 |
| | | | | | | 11617 | K-384901-R | 1 | 49 |
| | | | | | | 11616 | K-384901-L | 1 | 49 |
| | ALL TYPES | 11-04→ | 38 | BOSCH | 4990-G | | | | |
| | ALL TYPES | 11-04→ | 38 | BOSCH | 6030-G | | | | |
| | PICASSO - GRAND PICASSO | 10-06→ | 38 | BOSCH | 6134-G | 11630 | P-385002 | 1 | 50,35 |
| | | | | | | 11658 | K-385002-R | 1 | 50,35 |
| | | | | | | 11657 | K-385002-L | 1 | 50,35 |
| | ALL TYPES | 11-04→ | 8 | LUCAS | 30004-G | | | | |
| | ALL TYPES | 11-04→ | 10 | BOSCH | 30057-G | | | | |
| | PICASSO | 10-06→ | 10 | BOSCH | 30059-G | | | | |
| | AIRCROSS | 04-12→ | 10 | AKEBONO | 30074-G | | | | |
| | EXCEPT 1.4 - 1.6 16V | 11-04→ | 19 | FAG | 4819-G | | | | |
| | 1.4 - 1.6 | 11-04→ | 19 | FAG | 4821-G | | | | |



Master Cylinder



Front Caliper



Front Wheel Cylinder



Clutch Master Cylinder



Front Caliper Guides



Pressure Regulating Valve



Rear Caliper



Rear Wheel Cylinder



Clutch Slave Cylinder



Rear Caliper Guides

Ø
(mm.)

VERSION



CITROËN

5 of 11

C5

| | | | | | | | | | |
|--|----------------------|--------|-------|----------------|----------------|-------|----------|------------|------|
| | ALL TYPES | 01-01→ | 22,2 | BEDNIX - BOSCH | 4102-G | | | | |
| | 2.2 - 2.7HDI - 3.0V6 | 02-08→ | 40 | LUCAS | 4755-G | 10608 | P-455301 | 1 | 53 |
| | | | | | | | P-405301 | 1 | 53 |
| | 1.8 16V | 03-01→ | 54 | BOSCH | 4668-G | 10896 | P-545203 | 1 | 52,7 |
| | | | | | | | 11825 | K-545203-R | 1 |
| | | | | | | | 11824 | K-545203-L | 1 |
| | ALL TYPES | 03-01→ | 57 | BOSCH | 4669-G | 10951 | P-575201 | 1 | 52,7 |
| | | | | | | | 11829 | K-575201-R | 1 |
| | | | | | | | 11828 | K-575201-L | 1 |
| | ALL TYPES | 02-08→ | 60 | ATE | 4565-G | 10963 | P-605502 | 1 | 55,5 |
| | ALL TYPES | 03-01→ | 10 | BOSCH | 30014-G | | | | |
| | ALL TYPES | 02-08→ | 10 | LUCAS | 30063-G | | | | |
| | ALL TYPES | 02-08→ | 12 | ATE | 30023-G | | | | |
| | ALL TYPES | 03-01→ | 32 | CITROËN | 4857-G | 10640 | P-323201 | 2 | 32,6 |
| | ALL TYPES | 02-08→ | 38 | LUCAS | 4442-G | 10520 | P-385101 | 1 | 51 |
| | | | | | | | 11651 | K-385101 | 1 |
| | ALL TYPES | 02-08→ | 38 | ATE | 4797-G | 10667 | P-384902 | 1 | 49,7 |
| | | | | | | | 11646 | K-384902 | 1 |
| | III SERIES | 02-08→ | 8 | LUCAS | 30004-G | | | | |
| | ALL TYPES | 02-08→ | 12 | ATE | 30023-G | | | | |
| | RC TYPE | 09-04→ | 15,87 | FAG | 4865-G | | | | |
| | ALL TYPES | 03-01→ | 19 | FAG | 4819-G | | | | |
| | HDI - 3.0V6 | 03-01→ | 23,8 | FAG | 4841-G | | | | |

C6

| | | | | | | | | | |
|--|----------------------|--------|----|-------|----------------|-------|----------|----------|----|
| | 2.2 - 2.7 - 3.0 -HDI | 01-05→ | 40 | LUCAS | 4755-G | 10608 | P-455301 | 1 | 53 |
| | | | | | | | P-405301 | 1 | 53 |
| | 3.0 HDI | 04-09→ | 60 | ATE | 4565-G | | | | |
| | ALL TYPES | 01-05→ | 10 | LUCAS | 30063-G | | | | |
| | ALL TYPES | 08-05→ | 38 | LUCAS | 4442-G | 10520 | P-385101 | 1 | 51 |
| | | | | | | | 11651 | K-385101 | 1 |
| | ALL TYPES | 08-05→ | 8 | LUCAS | 30004-G | | | | |

C8

| | | | | | | | | | |
|--|--------------------|--------|------|--------|----------------|-------|----------|----------|----|
| | 2.0 - 2.2 -HDI | 07-02→ | 22,2 | BOSCH | 4678-G | | | | |
| | 2.2 HDI | 04-06→ | 40 | LUCAS | 4755-G | 10608 | P-455301 | 1 | 53 |
| | | | | | | | P-405301 | 1 | 53 |
| | 3.0 V6 | 07-02→ | 40 | BREMBO | 4887-G | 11671 | P-442902 | 2 | 29 |
| | | | | | | | P-402904 | 2 | 29 |
| | ALL TYPES | 07-02→ | 60 | LUCAS | 4860-G | 10988 | P-605301 | 1 | 53 |
| | ALL TYPES | 07-02→ | 10 | LUCAS | 30078-G | | | | |
| | ALL TYPES | 07-02→ | 38 | LUCAS | 4442-G | 10520 | P-385101 | 1 | 51 |
| | | | | | | | 11651 | K-385101 | 1 |
| | ALL TYPES | 07-02→ | 54 | TRW | 4726-G | | | | |
| | HDI (PLASTIC BODY) | 01-02→ | 19 | FAG | 4849-G | | | | |
| | ALL TYPES | 01-02→ | 19 | FAG | 4819-G | | | | |
| | ALL TYPES | 07-02→ | 23,8 | FAG | 4841-G | | | | |



Master Cylinder



Front Caliper



Front Wheel Cylinder



Clutch Master Cylinder



Front Caliper Guides



Pressure Regulating Valve



Rear Caliper



Rear Wheel Cylinder



Clutch Slave Cylinder



Rear Caliper Guides

Ø
(mm.)

VERSION



CITROËN

6 of 11

CX

| | | | | | | | | | |
|--|--------------------------|-------------|------|--|---------------|-------|----------|---|----|
| | ALL TYPES (MASTER VALVE) | | 20,6 | | 2758-G | | | | |
| | ALL TYPES (4 PISTONS) | 09-74→12-92 | 42 | | 4259-G | 11711 | P-422601 | 4 | 26 |
| | EXCEPT BREAK (2 PISTONS) | | 30 | | 2660-G | | | | |
| | BREAK (2 PISTONS) | | 40 | | 3580-G | | | | |

DS3

| | | | | | | | | | |
|--|-----------|--------|----|-------|----------------|-------|----------|---|------|
| | ALL TYPES | 01-10→ | 54 | BOSCH | 4632-G | 10568 | P-545201 | 1 | 52,5 |
| | ALL TYPES | 01-10→ | 10 | BOSCH | 30014-G | | | | |
| | ALL TYPES | 11-09→ | 38 | LUCAS | 4442-G | 10520 | P-385101 | 1 | 51 |
| | ALL TYPES | 11-09→ | 8 | LUCAS | 30004-G | 11651 | K-385101 | 1 | 51 |

DS4

| | | | | | | | | | |
|--|-----------------|-------------|----|-------|----------------|-------|----------|---|------|
| | 1.6HDI - 2.0HDI | 04-11→ | 57 | LUCAS | 6063-G | 10938 | P-575401 | 1 | 54,8 |
| | ALL TYPES | 04-11→ | 60 | ATE | 4565-G | | | | |
| | ALL TYPES | 04-11→07-15 | 10 | TRW | 30152-G | | | | |
| | ALL TYPES | 04-11→ | 8 | LUCAS | 30004-G | | | | |

DS5

| | | | | | | | | | |
|--|-----------|--------|----|-------|----------------|-------|----------|---|------|
| | ALL TYPES | 11-11→ | 60 | ATE | 4565-G | 10963 | P-605502 | 1 | 55,5 |
| | ALL TYPES | 11-11→ | 8 | LUCAS | 30004-G | | | | |

EVASION

| | | | | | | | | | |
|--|------------------------------|-------------|------|----------------|----------------|-------|----------|---|------|
| | 1.8i | | 22,2 | BEDNIX - BOSCH | 3361-G | | | | |
| | 1.9 TD - 2.0T - 2.0i - 2.1TD | | 23,8 | BEDNIX - BOSCH | 3402-G | | | | |
| | ALL TYPES | 06-94→07-02 | 57 | LUCAS | 3481-G | 10580 | P-575401 | 1 | 54,8 |
| | ALL TYPES | 06-94→07-02 | 57 | BEDNIX - BOSCH | 3586-G | 10583 | P-575101 | 1 | 51,7 |
| | ALL TYPES | 06-94→07-02 | 10 | LUCAS | 30041-G | | | | |
| | ALL TYPES | 06-94→07-02 | 20 | BEDNIX - BOSCH | 30122-G | | | | |
| | ALL TYPES | | 19 | BEDNIX - BOSCH | 3482-G | | | | |
| | ALL TYPES | 06-94→07-02 | 36 | ATE | 3483-G | 10725 | P-364803 | 1 | 48 |
| | ALL TYPES | 06-94→ | 12 | ATE | 30023-G | | | | |
| | HDI (PLASTIC BODY) | 01-99→ | 19 | FAG | 4849-G | | | | |
| | ALL TYPES | 08-99→07-02 | 23,8 | FAG | 4841-G | | | | |

GS

| | | | | | | | | | |
|--|--------------------------|--|------|--|---------------|-------|----------|---|----|
| | ALL TYPES (MASTER VALVE) | | 20,6 | | 2758-G | | | | |
| | 1.015C.C. | | 42 | | 2659-G | 11707 | P-422601 | 2 | 26 |
| | 1.222CC. (2 PISTONS) | | 45 | | 2661-G | | | | |
| | ALL TYPES (2 PISTONS) | | 30 | | 2660-G | | | | |

H - HZ - HY

| | | | | | | | | | |
|--|----------------|-------------|------|----------------|----------------|--|--|--|--|
| | ALL TYPES | | 25,4 | BEDNIX - BOSCH | 10156 | | | | |
| | HY - HYV - HYP | 01-63→01-68 | 22,2 | BEDNIX - BOSCH | 2602-G | | | | |
| | ALL TYPES | 01-69→ | 28,6 | BEDNIX - BOSCH | 10174-G | | | | |



Master Cylinder



Front Caliper



Front Wheel Cylinder



Clutch Master Cylinder



Front Caliper Guides



Pressure Regulating Valve



Rear Caliper



Rear Wheel Cylinder



Clutch Slave Cylinder



Rear Caliper Guides

Ø
(mm.)

VERSION

**CITROËN**

7 of 11

JUMPER

| | | | | | | | | | |
|--|--------------------------|-------------|------|----------------|----------------|-------|----------|---|------|
| | ALL TYPES 1,8TON | 01-94→01-02 | 22,2 | BOSCH | 4831-G | | | | |
| | 1.0 TON - 1.4 TON (-ABS) | 01-95→ | 23,8 | BEDNIX - BOSCH | 3652-G | | | | |
| | 1.8 TON (-ABS) | | 25,4 | BEDNIX - BOSCH | 3664-G | | | | |
| | ALL TYPES | 01-02→ | 25,4 | BOSCH | 4780-G | | | | |
| | ALL TYPES | 02-94→04-02 | 40 | LUCAS | 3657-G | 10607 | P-485302 | 1 | 53 |
| | | | | | | | P-405301 | 1 | 53 |
| | 800 - 1000 - 1400 KGS. | 04-02→ | 44 | BREMBO | 4663-G | 10795 | P-485701 | 1 | 57,5 |
| | | | | | | | P-445701 | 1 | 57,5 |
| | ALL TYPES | 02-94→04-02 | 45 | LUCAS | 3656-G | 10614 | P-485302 | 1 | 53 |
| | | | | | | | P-455301 | 1 | 53 |
| | ALL TYPES | 07-06→ | 46 | BREMBO | 4666-G | 11302 | P-525801 | 1 | 58 |
| | | 04-02→07-06 | | | | 11301 | P-525602 | 1 | 56,6 |
| | | 07-06→ | | | | 11302 | P-465801 | 1 | 58 |
| | | 04-02→07-06 | | | | 11301 | P-465601 | 1 | 56,6 |
| | ALL TYPES | 02-94→04-02 | 10 | LUCAS | 30041-G | | | | |
| | ALL TYPES | 04-02→07-06 | 18 | BREMBO | 30032-G | | | | |
| | 1.0 TON - 1.4 TON | | 25,4 | LUCAS | 3653-G | | | | |
| | 2.5 TD (1,4TON) | | 27 | LUCAS | 3655-G | | | | |
| | ALL TYPES (1,8TON) | 02-94→04-02 | 28,6 | LUCAS | 3654-G | | | | |
| | ALL TYPES | 04-02→ | 46 | BREMBO | 4665-G | 11306 | P-465901 | 1 | 59,5 |
| | HDI | 04-06→ | 48 | BOSCH | 4645-G | 10842 | P-485001 | 1 | 50 |
| | HDI | 04-06→ | 10 | BOSCH | 30014-G | | | | |
| | ALL TYPES | 04-02→ | 18 | BREMBO | 30032-G | | | | |

JUMPY

| | | | | | | | | | |
|--|--------------------|-------------|------|----------------|----------------|-------|----------|---|------|
| | ALL TYPES | | 22,2 | BEDNIX - BOSCH | 3361-G | | | | |
| | ALL TYPES | 11-06→ | 45 | TRW | 3656-G | 10614 | P-485302 | 1 | 53 |
| | | | | | | | P-455301 | 1 | 53 |
| | ALL TYPES | 10-95→10-06 | 57 | GIRLING | 3481-G | 10580 | P-575401 | 1 | 54,8 |
| | ALL TYPES | 10-95→10-06 | 57 | BEDNIX - BOSCH | 3586-G | 10583 | P-575101 | 1 | 51,7 |
| | ALL TYPES | 10-03→10-06 | 60 | LUCAS | 4860-G | 10988 | P-605301 | 1 | 53 |
| | ALL TYPES | 10-95→10-06 | 10 | GIRLING | 30041-G | | | | |
| | ALL TYPES (-ABS) | 10-06→ | 10 | TRW | 30063-G | | | | |
| | ALL TYPES | 10-03→10-06 | 10 | LUCAS | 30078-G | | | | |
| | ALL TYPES | 10-95→10-06 | 20 | BEDNIX - BOSCH | 30122-G | | | | |
| | ALL TYPES | 01-95→ | 19 | BEDNIX - BOSCH | 3482-G | | | | |
| | ALL TYPES | 01-07→ | 41 | LUCAS | 4289-G | 10610 | P-415101 | 1 | 51 |
| | | | | | | 11696 | K-415101 | 1 | 51 |
| | ALL TYPES | 01-07→ | 8 | LUCAS | 30004-G | | | | |
| | HDI (PLASTIC BODY) | 01-99→ | 19 | FAG | 4849-G | | | | |
| | ALL TYPES | 10-99→ | 23,8 | FAG | 4841-G | | | | |

NEMO

| | | | | | | | | | |
|--|-----------|--------|----|-------|----------------|-------|----------|---|------|
| | ALL TYPES | 02-08→ | 54 | BOSCH | 4632-G | 10568 | P-545201 | 1 | 52,5 |
| | ALL TYPES | 02-08→ | 10 | BOSCH | 30014-G | | | | |



Master Cylinder



Front Caliper



Front Wheel Cylinder



Clutch Master Cylinder



Front Caliper Guides



Pressure Regulating Valve



Rear Caliper



Rear Wheel Cylinder



Clutch Slave Cylinder



Rear Caliper Guides

Ø
(mm.)

VERSION



CITROËN

8 of 11

SAXO

| | | | | | | | | | |
|--|---|-------------|------|----------------|----------------|-------|----------|---|------|
| | (3 HOLE WHEELS) (-ABS) | | 19 | BEDNIX - BOSCH | 3487-G | | | | |
| | (3 HOLE WHEELS) (-ABS) | | 20,6 | BEDNIX - BOSCH | 3488-G | | | | |
| | 1.0 - 1.1 (DISC 8MM) | 02-96→ | 45 | ATE | 4275-G | 10997 | P-455001 | 1 | 50,3 |
| | ALL TYPES (DISC 20MM) | 02-96→ | 48 | ATE | 3130-G | 10533 | P-484801 | 1 | 48,8 |
| | ALL TYPES | 02-96→ | 48 | BEDNIX - BOSCH | 3221-G | 10534 | P-484902 | 1 | 49 |
| | ALL TYPES | 02-96→ | 48 | ATE | 6173-G | | | | |
| | ALL TYPES (DISC 20MM) | 02-96→ | 12 | ATE | 30023-G | | | | |
| | ALL TYPES | 02-96→09-03 | 20 | BEDNIX - BOSCH | 30038-G | | | | |
| | ALL TYPES (DISC 8MM) | 02-96→04-04 | 20 | ATE | 30120-G | | | | |
| | 1.0 - 1.1 (3 HOLE WHEELS) (PRESSURE REDUCING V | | 19 | BEDNIX - BOSCH | 3376-G | | | | |
| | 1.4 - 1.5D - 1.6 (4 HOLE WHEELS) (PRESSURE REDUCI | | 19 | BEDNIX - BOSCH | 3482-G | | | | |
| | 1.1 - 1.4 - 1.5D - 1.6 (ABS) | | 20,6 | LUCAS | 3031-G | | | | |
| | 1.6 | 05-96→09-03 | 30 | BEDNIX - BOSCH | 3317-G | 10639 | P-303801 | 1 | 38,5 |
| | | | | | | 11511 | K-303801 | 1 | 38,5 |
| | ALL TYPES | 06-03→ | 12 | ATE | 30023-G | | | | |
| | 1.6 | 05-96→09-03 | 20 | BEDNIX - BOSCH | 30038-G | | | | |

VISA - LNA

| | | | | | | | | | |
|--|--|-------------|------|----------------|---------------|-------|----------|---|------|
| | ALL TYPES | | 17,5 | BEDNIX - BOSCH | 3098-G | | | | |
| | ALL TYPES | 01-78→ | 19 | BEDNIX - BOSCH | 3078-G | | | | |
| | LNA 0.6 | 01-76→01-79 | 19 | ATE | 3212-G | | | | |
| | VISA GT - GTI - DIESEL | | 20,6 | BEDNIX - BOSCH | 3039-G | | | | |
| | ALL TYPES→ P.R. 1878 (2 PISTONS) | | 45 | CITROËN | 3099-G | | | | |
| | ALL TYPES | | 45 | | 3100-G | 11774 | P-452601 | 2 | 26,5 |
| | ALL TYPES | 07-79→01-86 | 48 | BEDNIX - BOSCH | 2675-G | 10838 | P-484402 | 1 | 44 |
| | ALL TYPES | 11-76→07-79 | 48 | BEDNIX - BOSCH | 3038-G | 10835 | P-484402 | 1 | 44 |
| | ALL TYPES | 01-78→01-89 | 48 | ATE | 3079-G | | | | |
| | VISA 17D - RD - GTI | 04-84→03-91 | 48 | ATE - LUCAS | 3125-G | 10538 | P-485302 | 1 | 53,6 |
| | VISA 17D - RD - GTI | 04-84→01-01 | 48 | ATE - LUCAS | 4987-G | | | | |
| | 17D | 04-84→03-91 | 24 | LUCAS | 10256 | | | | |
| | VISA II - ESP. CLUB - LNA | | 20,6 | LUCAS | 3031-G | | | | |
| | ALL TYPES | | 20,6 | BEDNIX - BOSCH | 3101-G | | | | |
| | ALL TYPES (RUBBER CUP TYPE) | | 22,2 | BEDNIX - BOSCH | 2670-G | | | | |
| | ALL TYPES | | 22,2 | LUCAS | 3080-G | | | | |
| | VISA DIESEL - GTI (RUBBER CUP/SEAL TYPE) | | 22,2 | BEDNIX - BOSCH | 3126-G | | | | |
| | ALL TYPES | | 14 | | 3067-G | | | | |



Master Cylinder



Front Caliper



Front Wheel Cylinder



Clutch Master Cylinder



Front Caliper Guides



Pressure Regulating Valve



Rear Caliper



Rear Wheel Cylinder



Clutch Slave Cylinder



Rear Caliper Guides

Ø
(mm.)

VERSION



CITROËN

9 of 11

XANTIA

| | | | | | | | | | |
|--|--------------------------|-------------|------|----------------|----------------|-------|----------|---|------|
| | ALL TYPES (MASTER VALVE) | | 42 | | 3401-G | | | | |
| | ALL TYPES | 03-93→01-98 | 54 | BEDNIX - BOSCH | 3365-G | 11365 | P-545402 | 1 | 54 |
| | | | | | | 11368 | K-545402 | 1 | 54 |
| | ALL TYPES | 01-95→ | 57 | BEDNIX - BOSCH | 3366-G | 11437 | P-575104 | 1 | 51,6 |
| | | | | | | 11443 | K-575104 | 1 | 51,6 |
| | ALL TYPES HARD BOOT | 01-94→ | 60 | BOSCH | 4634-G | 11471 | P-605104 | 1 | 51,2 |
| | ALL TYPES (HARD BOOT) | | | | | 11475 | K-605104 | 1 | 51,2 |
| | ALL TYPES | 03-93→01-98 | 16 | BEDNIX - BOSCH | 30112-G | | | | |
| | BERLINE (DISC 9MM) | 03-93→04-03 | 32 | CITROËN | 3367-G | 10643 | P-332901 | 2 | 29,5 |
| | BREAK (DISC 12MM) | 06-95→04-03 | 36 | CITROËN | 4564-G | 11600 | P-362903 | 2 | 29,2 |
| | ALL TYPES | 01-98→ | 23,8 | FAG | 4841-G | | | | |

XM

| | | | | | | | | | |
|--|--------------------------|-------------|----|----------------|----------------|-------|----------|---|------|
| | ALL TYPES (MASTER VALVE) | | 42 | | 3401-G | | | | |
| | ALL TYPES | 05-89→10-00 | 57 | BEDNIX - BOSCH | 3366-G | 11437 | P-575104 | 1 | 51,6 |
| | | | | | | 11443 | K-575104 | 1 | 51,6 |
| | ALL TYPES | 05-89→10-00 | 16 | BEDNIX - BOSCH | 30112-G | | | | |
| | ALL TYPES | | 32 | | 3367-G | 10643 | P-332901 | 2 | 29,5 |
| | BREAK (2 PISTONS) | | 40 | | 3580-G | | | | |



Master Cylinder



Front Caliper



Front Wheel Cylinder



Clutch Master Cylinder



Front Caliper Guides



Pressure Regulating Valve



Rear Caliper



Rear Wheel Cylinder



Clutch Slave Cylinder



Rear Caliper Guides

Ø
(mm.)

VERSION



CITROËN

10 of 11

XSARA

| | | | | | | | | | |
|--|-------------------------------------|-------------|------|----------------|----------------|-------|----------|---|------|
| | ALL TYPES | 04-97→ | 22,2 | ATE | 4101-G | | | | |
| | 1.4 - 1.6 - 1.8 - DIESEL (-ABS) | 04-97→ | 22,2 | BENDIX - BOSCH | 4102-G | | | | |
| | 1.5D - 1.9D - 2.0HDI | | | BEDNIX - BOSCH | | | | | |
| | ALL TYPES (ABS) | 04-97→ | 23,8 | BENDIX - BOSCH | 4681-G | | | | |
| | ALL TYPES | 04-97→ | 48 | ATE | 3130-G | 10533 | P-484801 | 1 | 48,8 |
| | ALL TYPES (HARD BOOT) | 04-97→ | 48 | BEDNIX - BOSCH | 4288-G | 10549 | P-485002 | 1 | 50,5 |
| | ALL TYPES | 04-97→ | 48 | ATE | 6173-G | | | | |
| | ALL TYPES | 04-97→09-00 | 54 | BOSCH | 3639-G | 10578 | P-545001 | 1 | 50,5 |
| | PICASSO | 09-99→ | 54 | LUCAS | 3649-G | 10571 | P-545301 | 1 | 53,7 |
| | ALL TYPES | 04-97→ | | | | | P-545301 | 1 | 53,7 |
| | ALL TYPES | 04-97→ | 54 | BEDNIX - BOSCH | 4332-G | 10925 | P-545001 | 1 | 50,5 |
| | ALL TYPES | 09-00→ | 54 | BOSCH | 4632-G | 10568 | P-545201 | 1 | 52,5 |
| | PICASSO | 09-99→ | | | | | P-545201 | 1 | 52,5 |
| | ALL TYPES | 04-97→ | 57 | LUCAS | 3481-G | 10580 | P-575401 | 1 | 54,8 |
| | ALL TYPES (CALIPER 54MM) | 04-97→ | 8 | LUCAS | 30006-G | | | | |
| | ALL TYPES | 04-97→08-05 | 10 | BOSCH | 30014-G | | | | |
| | ALL TYPES | 04-97→ | 12 | ATE | 30023-G | | | | |
| | ALL TYPES (SOLID DISCS) | 04-97→ | 12 | BOSCH | 30092-G | | | | |
| | ALL TYPES (-ABS) | 04-97→03-05 | | | | | | | |
| | ALL TYPES (PRESSURE REDUCING VALVE) | | 20,6 | LUCAS | 3031-G | | | | |
| | ALL TYPES (ABS) | | | | | | | | |
| | ALL TYPES (PRESSURE REDUCING VALVE) | | 20,6 | BEDNIX - BOSCH | 3326-G | | | | |
| | BREAK (-ABS) | | 20,6 | BEDNIX - BOSCH | 3375-G | | | | |
| | PICASSO | 01-00→ | 22,2 | LUCAS | 3063-G | | | | |
| | ALL TYPES | 04-97→ | 32 | BEDNIX - BOSCH | 4430-G | 10641 | P-323801 | 1 | 38,5 |
| | | | | | | 11531 | K-323801 | 1 | 38,5 |
| | PICASSO (ESP) | 09-99→ | 38 | LUCAS | 4442-G | 10520 | P-385101 | 1 | 51 |
| | | | | | | 11651 | K-385101 | 1 | 51 |
| | PICASSO | 09-99→ | 8 | LUCAS | 30004-G | | | | |
| | ALL TYPES | 04-97→ | 20 | BEDNIX - BOSCH | 30038-G | | | | |
| | PICASSO | 01-00→ | 19 | FAG | 4819-G | | | | |



Master Cylinder



Front Caliper



Front Wheel Cylinder



Clutch Master Cylinder



Front Caliper Guides



Pressure Regulating Valve



Rear Caliper



Rear Wheel Cylinder



Clutch Slave Cylinder



Rear Caliper Guides

Ø
(mm.)

VERSION



CITROËN

11 of 11

ZX

| | | | | | | | | | |
|--|-------------------------------------|-------------|------|----------------|----------------|-------|----------|---|------|
| | ALL TYPES (4 CONNECTION) | 01-91→ | 20,6 | BEDNIX - BOSCH | 3127-G | | | | |
| | ALL TYPES | | 20,6 | ATE | 3243-G | | | | |
| | ALL TYPES (ALUMINIUM BODY) | 01-96→ | 20,6 | BEDNIX - BOSCH | 3488-G | | | | |
| | ALL TYPES | 01-94→ | 22,2 | BEDNIX - BOSCH | 3361-G | | | | |
| | ALL TYPES -2.0i 16V (ABS) | | | | | | | | |
| | ALL TYPES (ABS) | 03-91→06-97 | 22,2 | FAG | 6117-G | | | | |
| | 2.0i 16V | 01-92→ | 23,8 | BEDNIX - BOSCH | 3402-G | | | | |
| | ALL TYPES (-ABS) (DISC 10MM) | 03-91→ | 48 | ATE - LUCAS | 3125-G | 10538 | P-485302 | 1 | 53,6 |
| | ALL TYPES | 03-91→ | 48 | BEDNIX - BOSCH | 3221-G | 10534 | P-484902 | 1 | 49 |
| | ALL TYPES (DISC 20MM) | 03-91→ | 48 | GIRLING | 3359-G | 10540 | P-485302 | 1 | 53,6 |
| | ALL TYPES DISC 10MM | 03-91→ | 48 | ATE - LUCAS | 4987-G | | | | |
| | 2.0i 16V (DISC 20,4MM) | 01-92→01-98 | 54 | GIRLING | 3220-G | 10570 | P-545301 | 1 | 53,7 |
| | 2.0i 16V (DISC 22MM) | 01-92→01-98 | 57 | LUCAS | 3481-G | 10580 | P-575401 | 1 | 54,8 |
| | ALL TYPES (DISC 20-20,4MM) | 03-91→ | 8 | GIRLING | 30003-G | | | | |
| | 2.0i 16V (DISC 22MM) | 03-91→ | 10 | LUCAS | 30041-G | | | | |
| | ALL TYPES | 03-91→ | 20 | BEDNIX - BOSCH | 30038-G | | | | |
| | ALL TYPES DISC 10MM | 03-91→ | 24 | GIRLING | 10256 | | | | |
| | ALL TYPES (ABS) | 01-95→ | 20,6 | LUCAS | 3031-G | | | | |
| | ALL TYPES (PRESSURE REDUCING VALVE) | 01-91→01-97 | | | | | | | |
| | ALL TYPES (PRESSURE REDUCING VALVE) | 01-91→ | 20,6 | BEDNIX - BOSCH | 3326-G | | | | |
| | ALL TYPES | 01-94→ | 20,6 | BEDNIX - BOSCH | 3375-G | | | | |
| | ALL TYPES EXCEPT 2.0 16V | 03-91→02-98 | 30 | BEDNIX - BOSCH | 3317-G | 10639 | P-303801 | 1 | 38,5 |
| | | | | | | 11511 | K-303801 | 1 | 38,5 |
| | 2.0 16V | 07-92→06-97 | 32 | BEDNIX - BOSCH | 4430-G | 10641 | P-323801 | 1 | 38,5 |
| | | | | | | 11531 | K-323801 | 1 | 38,5 |
| | ALL TYPES EXCEPT 2.0 16V | 03-91→02-98 | 20 | BEDNIX - BOSCH | 30038-G | | | | |



Master Cylinder



Front Caliper



Front Wheel Cylinder



Clutch Master Cylinder



Front Caliper Guides



Pressure Regulating Valve



Rear Caliper



Rear Wheel Cylinder



Clutch Slave Cylinder



Rear Caliper Guides



∅
(mm.)

VERSION



DACIA

1 of 1

DOKKER

| | | | | | | | | | |
|--|-----------------|--------|----|-----|---------------|-------|----------|---|------|
| | ALL TYPES (ESP) | 11-12→ | 54 | ATE | 4318-G | 11378 | P-545003 | 1 | 50,5 |
|--|-----------------|--------|----|-----|---------------|-------|----------|---|------|

DUSTER

| | | | | | | | | | |
|--|-------------------------|--------|-----|-------|----------------|-------|----------|---|------|
| | 1.5 - 1.6 | 04-10→ | 54 | LUCAS | 3649-G | 10571 | P-545301 | 1 | 53,7 |
| | 1.5 dCi FWD - 4WD (ABS) | 03-10→ | 54 | ATE | 4318-G | 11378 | P-545003 | 1 | 50,5 |
| | ALL TYPES | 04-10→ | 8,4 | LUCAS | 30046-G | | | | |

LODGY

| | | | | | | | | | |
|--|-----------------|--------|----|-------|---------------|-------|----------|---|------|
| | 1.6 | 03-12→ | 54 | LUCAS | 3649-G | 10571 | P-545301 | 1 | 53,7 |
| | ALL TYPES (ESP) | 03-12→ | 54 | ATE | 4318-G | 11378 | P-545003 | 1 | 50,5 |

LOGAN

| | | | | | | | | | |
|--|-------------------------|--------|------|----------------|----------------|-------|----------|---|------|
| | 1.4 - 1.6 | 09-04→ | 20,6 | | 6037-G | | | | |
| | ALL TYPES | 01-04→ | 22,2 | BOSCH | 6102-G | | | | |
| | 1.4 - 1.5 - 1.6 | 01-04→ | 48 | LUCAS | 3359-G | 10540 | P-485302 | 1 | 53,6 |
| | II SERIES | 02-13→ | 48 | ATE | 4776-G | | | | |
| | EXPRESS - MCV - PICK-UP | 01-04→ | 54 | LUCAS | 3649-G | 10571 | P-545301 | 1 | 53,7 |
| | ALL TYPES | 08-06→ | 54 | ATE | 3660-G | 11373 | P-545105 | 1 | 51,7 |
| | ALL TYPES (ABS) | 01-04→ | 10 | LUCAS | 30011-G | | | | |
| | ALL TYPES | 01-04→ | 12 | LUCAS | 30089-G | | | | |
| | ALL TYPES | | 17,5 | LUCAS | 3591-G | | | | |
| | ALL TYPES | | 19 | BEDNIX - BOSCH | 3433-G | | | | |

SANDERO

| | | | | | | | | | |
|--|-----------|--------|----|-------|----------------|--|--|--|--|
| | II SERIES | 10-12→ | 48 | ATE | 4776-G | | | | |
| | I SERIES | 06-08→ | 10 | TRW | 30011-G | | | | |
| | I SERIES | 06-08→ | 12 | LUCAS | 30089-G | | | | |



Master Cylinder



Front Caliper



Front Wheel Cylinder



Clutch Master Cylinder



Front Caliper Guides



Pressure Regulating Valve



Rear Caliper



Rear Wheel Cylinder



Clutch Slave Cylinder



Rear Caliper Guides

Ø
(mm.)

VERSION



DAEWOO

1 of 3

ARANOS

| | | | | | | | | | |
|--|-------------------------|--|------|-----|---------------|-------|----------|---|----|
| | ALL TYPES (22,2-23,8MM) | | 22,2 | | 3525-G | | | | |
| | ALL TYPES | | 52 | ATE | 3332-G | 10559 | P-524801 | 1 | 48 |
| | ALL TYPES | | 19 | | 3524-G | | | | |
| | ALL TYPES | | 15,9 | | 3521-G | | | | |

ESPERO

| | | | | | | | | | |
|--|------------------|-------------|------|-------|----------------|-------|----------|---|----|
| | ALL TYPES | 02-95→ | 52 | ATE | 3332-G | 10559 | P-524801 | 1 | 48 |
| | ALL TYPES | 02-95→ | 12 | ATE | 30023-G | | | | |
| | ALL TYPES | 01-95→01-99 | 19 | LUCAS | 3516-G | | | | |
| | ALL TYPES | 02-95→ | 12 | ATE | 30023-G | | | | |
| | (KLEJ) ALL TYPES | 02-95→09-99 | 20,6 | | 4943-G | | | | |

EVANDA

| | | | | | | | | | |
|--|-----------|--------|------|-----|----------------|-------|----------|---|----|
| | ALL TYPES | 08-02→ | 57 | DAC | 4829-G | 11436 | P-574903 | 1 | 49 |
| | ALL TYPES | 08-02→ | 10 | DAC | 30058-G | | | | |
| | ALL TYPES | 08-02→ | 35 | DAC | 4771-G | 11083 | P-354901 | 1 | 49 |
| | ALL TYPES | 08-02→ | 10 | DAC | 30071-G | | | | |
| | ALL TYPES | 08-02→ | 15,9 | | 3521-G | | | | |
| | ALL TYPES | 08-02→ | 20,6 | | 4943-G | | | | |

KALOS

| | | | | | | | | | |
|--|-----------|--------|------|-----|----------------|-------|----------|---|------|
| | ALL TYPES | 09-02→ | 52 | DAC | 4724-G | 10878 | P-524802 | 1 | 48,8 |
| | ALL TYPES | 09-02→ | 10 | DAC | 30142-G | | | | |
| | (KLAS) | 09-02→ | 15,9 | | 4782-G | | | | |
| | ALL TYPES | | 20,6 | | 4783-G | | | | |

LACETTI

| | | | | | | | | | |
|--|-----------|--------|----|-----|----------------|-------|----------|---|------|
| | ALL TYPES | 02-04→ | 54 | DAC | 3393-G | | | | |
| | ALL TYPES | 02-04→ | 54 | DAC | 4746-G | 10626 | P-544904 | 1 | 49 |
| | ALL TYPES | 02-04→ | 10 | DAC | 30058-G | | | | |
| | ALL TYPES | 02-04→ | 32 | DAC | 4744-G | 11528 | P-324503 | 1 | 45,8 |
| | ALL TYPES | 02-04→ | 10 | DAC | 30142-G | | | | |

LANOS

| | | | | | | | | | |
|--|-------------------|--------|------|-------|----------------|-------|----------|---|------|
| | 1.4 - 1.5 | | 20,6 | | 4129-G | | | | |
| | 1.6 (22,2-23,8MM) | | 22,2 | | 3525-G | | | | |
| | ALL TYPES | 05-97→ | 48 | ATE | 3130-G | 10533 | P-484801 | 1 | 48,8 |
| | ALL TYPES | 05-97→ | 48 | DAC | 4837-G | 10652 | P-484804 | 1 | 48,5 |
| | ALL TYPES | 05-97→ | 48 | ATE | 6173-G | | | | |
| | ALL TYPES | 05-97→ | 52 | ATE | 3332-G | 10559 | P-524801 | 1 | 48 |
| | ALL TYPES | 05-97→ | 52 | DAC | 4884-G | 10879 | P-524802 | 1 | 48,8 |
| | ALL TYPES | 05-97→ | 12 | ATE | 30023-G | | | | |
| | 1.4 - 1.5L | | 17,5 | | 3523-G | | | | |
| | ALL TYPES | 05-97→ | 19 | LUCAS | 3516-G | | | | |
| | ALL TYPES | 05-97→ | 19 | | 3524-G | | | | |
| | ALL TYPES | | 15,9 | | 3521-G | | | | |
| | (KLAT) 1.4 - 1.5 | 05-97→ | 20,6 | | 4943-G | | | | |



Master Cylinder



Front Caliper



Front Wheel Cylinder



Clutch Master Cylinder



Front Caliper Guides



Pressure Regulating Valve



Rear Caliper



Rear Wheel Cylinder



Clutch Slave Cylinder



Rear Caliper Guides

Ø
(mm.)

VERSION

**DAEWOO****2 of 3****LEGANZA**

| | | | | | | | | | |
|--|-----------|-------------|------|-----|----------------|-------|----------|---|------|
| | ALL TYPES | 06-97→ | 23,8 | | 6204-G | | | | |
| | 2.0 16V | 06-97→01-03 | 57 | DAC | 4829-G | 11436 | P-574903 | 1 | 49 |
| | ALL TYPES | 06-97→ | 10 | DAC | 30058-G | | | | |
| | ALL TYPES | 06-97→01-03 | 35 | DAC | 4769-G | 11579 | P-354402 | 1 | 44,5 |
| | ALL TYPES | | 15,9 | | 3521-G | | | | |

MATIZ

| | | | | | | | | | |
|--|-----------|--------|------|-----|----------------|-------|----------|---|------|
| | ALL TYPES | 01-98→ | 48 | DAC | 4823-G | 10673 | P-484804 | 1 | 48,5 |
| | ALL TYPES | 01-98→ | 10 | DAC | 30017-G | | | | |
| | ALL TYPES | | 17,5 | | 3523-G | | | | |

NEXIA

| | | | | | | | | | |
|--|-------------------------|-------------|------|-------|----------------|-------|----------|---|------|
| | ALL TYPES (22,2-23,8MM) | | 22,2 | | 3525-G | | | | |
| | 1.5 - 1.5 SEDAN | 01-95→01-98 | 48 | ATE | 3130-G | 10533 | P-484801 | 1 | 48,8 |
| | 1.5 - 1.5 SEDAN | 01-95→01-98 | 48 | ATE | 6173-G | | | | |
| | 1.5 16V - 1.8 | 01-95→01-98 | 52 | ATE | 3332-G | 10559 | P-524801 | 1 | 48 |
| | ALL TYPES | 01-95→ | 12 | ATE | 30023-G | | | | |
| | GL - GLE | | 17,5 | | 3523-G | | | | |
| | ALL TYPES | 01-95→01-97 | 19 | LUCAS | 3516-G | | | | |
| | GLX - GTX | | 19 | | 3524-G | | | | |
| | ALL TYPES | | 15,9 | | 3521-G | | | | |
| | (KLAU) ALL TYPES | 02-95→08-97 | 20,6 | | 4943-G | | | | |

NUBIRA

| | | | | | | | | | |
|--|-------------------------|-------------|------|-----|----------------|-------|----------|---|------|
| | ALL TYPES (22,2-23,8MM) | | 22,2 | | 3525-G | | | | |
| | ALL TYPES | 02-97→07-03 | 54 | DAC | 4502-G | 10903 | P-544904 | 1 | 49 |
| | ALL TYPES | 07-03→ | 54 | DAC | 4746-G | 10626 | P-544904 | 1 | 49 |
| | ALL TYPES | 02-97→ | 10 | DAC | 30058-G | | | | |
| | S E | | 20,6 | | 2674-G | | | | |
| | ALL TYPES | 05-97→07-03 | 32 | DAC | 4267-G | 11526 | P-324401 | 1 | 44 |
| | ALL TYPES | 07-03→ | 32 | DAC | 4744-G | 11528 | P-324503 | 1 | 45,8 |
| | ALL TYPES | 05-97→ | 10 | DAC | 30142-G | | | | |
| | ALL TYPES | 12-00→ | 15,9 | | 3521-G | | | | |
| | ALL TYPES | | 20,6 | | 3522-G | | | | |

RACER - TICO

| | | | | | | | | | |
|--|-----------|-------------|------|-------|---------------|--|--|--|--|
| | ALL TYPES | | 20,6 | DELCO | 3239-G | | | | |
| | ALL TYPES | | 48 | DELCO | 3097-G | | | | |
| | ALL TYPES | 01-95→12-00 | 23 | DELCO | 10250 | | | | |
| | ALL TYPES | | 17,5 | | 3895-G | | | | |

REZZO

| | | | | | | | | | |
|--|-----------|--------|----|-----|---------------|-------|----------|---|----|
| | ALL TYPES | 09-00→ | 57 | DAC | 4829-G | 11436 | P-574903 | 1 | 49 |
|--|-----------|--------|----|-----|---------------|-------|----------|---|----|



Master Cylinder



Front Caliper



Front Wheel Cylinder



Clutch Master Cylinder



Front Caliper Guides



Pressure Regulating Valve



Rear Caliper



Rear Wheel Cylinder



Clutch Slave Cylinder



Rear Caliper Guides



∅
(mm.)

VERSION



DAEWOO

3 of 3

TACUMA

| | | | | | | | | | |
|--|-----------|--------|------|-----|----------------|-------|----------|---|----|
| | ALL TYPES | 09-00→ | 23,8 | | 4796-G | | | | |
| | ALL TYPES | 09-00→ | 57 | DAC | 4829-G | 11436 | P-574903 | 1 | 49 |
| | ALL TYPES | 09-00→ | 57 | DAC | 6035-G | | | | |
| | ALL TYPES | 09-00→ | 10 | DAC | 30058-G | | | | |
| | ALL TYPES | 09-00→ | 20,6 | | 4950-G | | | | |
| | ALL TYPES | 09-00→ | 15,9 | | 3521-G | | | | |
| | ALL TYPES | 09-00→ | 20,6 | | 4943-G | | | | |



Master Cylinder



Front Caliper



Front Wheel Cylinder



Clutch Master Cylinder



Front Caliper Guides



Pressure Regulating Valve



Rear Caliper



Rear Wheel Cylinder



Clutch Slave Cylinder



Rear Caliper Guides

Ø
(mm.)

VERSION



DAF

1 of 2

44 - 55 - 66

| | | | | | | | | |
|--|-----------|-------------|-------|-----------|---------------|-------|----------|--------|
| | 44 | 01-67→01-72 | 17,5 | ATE | 4339-G | | | |
| | 55 | 01-68→01-72 | 19 | ATE | 3373-G | | | |
| | 44 | 01-66→01-67 | 19 | ATE | 3390-G | | | |
| | 66 | | 20,6 | ATE - FAG | 3157-G | | | |
| | ALL TYPES | 01-68→01-75 | 44 | ATE | 4258-G | 11759 | P-442901 | 2 29,5 |
| | 66 | 10-72→08-75 | 15,87 | LUCAS | 6341-G | | | |
| | 44 - 45 | 01-66→ | 17,5 | ATE | 4875-G | | | |

F1100 → F3600

| | | | | | | | | |
|--|---------------------------------|-------------|-------|-------------|----------------|--|--|--|
| | ALL TYPES | | 38,1 | FAG | 3634-G | | | |
| | F1100 FA | 01-78→01-91 | 44,45 | AP LOCKHEED | 4889-G | | | |
| | ALL TYPES (HORIZONTAL POSITION) | | 25,4 | FAG | 3266-GV | | | |

F45 - F600 - F800 - F1000 →95

| | | | | | | | | |
|--|----------------------------|-------------|-------|-------------|---------------|--|--|--|
| | F45.120 - 600 - 800 | | 54 | FAG | 4299-G | | | |
| | F45.160 - 1000 (4 PISTONS) | 01-91→ | 63 | | 4566-G | | | |
| | F45.120 - 600 - 800 | | 38,1 | FAG | 3265-G | | | |
| | F45.160 - 1000 | | 43,6 | FAG | 3404-G | | | |
| | F900 FA | 01-75→01-89 | 44,45 | AP LOCKHEED | 4889-G | | | |
| | ALL TYPES | | 22,2 | AP LOCKHEED | 3285-G | | | |
| | ALL TYPES | | 23,8 | AP LOCKHEED | 3264-G | | | |

FA1300 - 1500 →90

| | | | | | | | | |
|--|-----------|--|------|-----|---------------|--|--|--|
| | ALL TYPES | | 38,1 | FAG | 3634-G | | | |
|--|-----------|--|------|-----|---------------|--|--|--|

FA1600 - FAV1800 69→76

| | | | | | | | | |
|--|----------------------------|--|------|-----|----------------|--|--|--|
| | ALL TYPES | | 38,1 | FAG | 3634-G | | | |
| | 1600 (HORIZONTAL POSITION) | | 25,4 | FAG | 3266-GV | | | |

V200 FREIGHT - SHERPA

| | | | | | | | | |
|--|-------------------------|-------------|------|-------------|----------------|-------|----------|--------|
| | ALL TYPES (NO KOMBI) | 01-74→01-80 | 20,6 | AP LOCKHEED | 3954-G | | | |
| | ALL TYPES | 01-80→ | 22,2 | AP LOCKHEED | 10183-G | | | |
| | KOMBI (CH. VIN 800001→) | | | | | | | |
| | KOMBI | 01-82→01-86 | 22,2 | AP LOCKHEED | 3236-G | | | |
| | ALL TYPES (DRUM) | 01-74→01-80 | 22,2 | AP LOCKHEED | 3641-G | | | |
| | 185 PETROL (DRUM) | 01-74→01-78 | 23,8 | AP LOCKHEED | 2693-G | | | |
| | 280 - KOMBI | 01-82→ | 41 | AP LOCKHEED | 3569-G | 10524 | P-413401 | 4 34,2 |
| | SHERPA | 01-82→ | 42 | AP LOCKHEED | 3190-G | 10768 | P-412801 | 2 28,4 |
| | SHERPA 300 - V8 4TON | 01-85→ | 46 | AP LOCKHEED | 3403-G | 10633 | P-463001 | 4 30,7 |
| | ALL TYPES | 01-80→ | 57 | AP LOCKHEED | 3283-G | 10939 | P-572801 | 2 28,5 |
| | SHERPA 300 | 01-82→ | 17,5 | AP LOCKHEED | 3196-G | | | |
| | ALL TYPES | 01-74→01-80 | 19 | AP LOCKHEED | 2615-G | | | |
| | ALL TYPES | 01-80→ | 20,6 | AP LOCKHEED | 10184-G | | | |
| | ALL TYPES | 01-80→01-82 | 15,9 | AP LOCKHEED | 3322-G | | | |
| | ALL TYPES | 01-74→01-82 | 17,5 | AP LOCKHEED | 3250-G | | | |
| | ALL TYPES | 01-82→ | 19 | AP LOCKHEED | 3951-G | | | |
| | V 200 - FREIGHT | 01-82→ | 22,2 | | 3263-G | | | |
| | SHERPA | 01-74→ | 25,4 | AP LOCKHEED | 3238-G | | | |



Master Cylinder



Front Caliper



Front Wheel Cylinder



Clutch Master Cylinder



Front Caliper Guides



Pressure Regulating Valve



Rear Caliper



Rear Wheel Cylinder



Clutch Slave Cylinder



Rear Caliper Guides



∅
(mm.)

VERSION



DAF

2 of 2

V400

| | | | | | | | | |
|--|----------------------------|-------------|-------------|----------------|-------|----------|---|------|
| | LEYLAND ENGINE (OLD MODEL) | 22,2 | AP LOCKHEED | 10183-G | | | | |
| | ALL TYPES (→CH.860993) | 22,2 | AP LOCKHEED | 3236-G | | | | |
| | ALL TYPES (CH.860993→) | 23,8 | AP LOCKHEED | 3965-G | | | | |
| | 1.300 KG | 41 | AP LOCKHEED | 3569-G | 10524 | P-413401 | 4 | 34,2 |
| | 1.375 KG | 42 | AP LOCKHEED | 3190-G | 10768 | P-412801 | 2 | 28,4 |
| | 1.450 - 1600 KG | 46 | AP LOCKHEED | 3403-G | 10633 | P-463001 | 4 | 30,7 |
| | 1.375 KG | 15,9 | AP LOCKHEED | 3195-G | | | | |
| | 1.450 KG | 17,5 | AP LOCKHEED | 3196-G | | | | |
| | ALL TYPES | 19 | AP LOCKHEED | 3951-G | | | | |
| | ALL TYPES | 04-89→08-93 | 25,4 | 3966-G | | | | |
| | ALL TYPES | 22,2 | AP LOCKHEED | 3263-G | | | | |



Master Cylinder



Front Caliper



Front Wheel Cylinder



Clutch Master Cylinder



Front Caliper Guides



Pressure Regulating Valve



Rear Caliper



Rear Wheel Cylinder



Clutch Slave Cylinder



Rear Caliper Guides

Ø
(mm.)

VERSION

**DAIHATSU**

1 of 3

55 WIDE CAB

| | | | | | | | | |
|--|-----------|-------------|------|--|---------------|--|--|--|
| | ALL TYPES | →01-86 | 17,5 | | 4585-G | | | |
| | ALL TYPES | 01-81→01-86 | 19 | | 3984-G | | | |
| | ALL TYPES | | 22,2 | | 4161-G | | | |
| | ALL TYPES | 01-84→08-86 | 17,5 | | 4172-G | | | |

APPLAUSE

| | | | | | | | | |
|--|--------------|-------------|----|-----------|----------------|-------|----------|--------|
| | I SERIES 1.6 | 06-89→07-97 | 51 | AKEBONO | 3733-G | 10862 | P-514504 | 1 45 |
| | ALL TYPES | | 19 | | 3235-G | | | |
| | I SERIES | 06-89→07-97 | 30 | NISSHINBO | 3825-G | 10600 | P-304501 | 1 45,5 |
| | I SERIES | 06-89→07-97 | 12 | NISSHINBO | 30024-G | 11519 | K-304501 | 1 45,5 |

CHARADE

| | | | | | | | | |
|--|--|-------------|------|---------|---------------|-------|----------|------|
| | G10 | 01-81→01-82 | 17,5 | | 4572-G | | | |
| | G11 - G30 | 01-83→01-87 | 19 | | 3974-G | | | |
| | G 10 | 01-77→01-83 | 19 | | 4348-G | | | |
| | 1000 SEDAN - D - G100-101 (6" BOOSTER) | 01-87→ | 19 | | 4349-G | | | |
| | G 10 (MALAYSIA) | | 19 | | 4352-G | | | |
| | G100 - 101 - 102 | 01-87→ | 20,6 | | 3973-G | | | |
| | G10 | →01-82 | 22,2 | | 4161-G | | | |
| | G11 - 30 | 01-83→01-87 | 48 | AKEBONO | 4269-G | | | |
| | G10 (2 PISTONS) | →01-82 | 48 | | 4610-G | | | |
| | III SERIES | 03-87→01-93 | 51 | AKEBONO | 3733-G | 10862 | P-514504 | 1 45 |
| | IV SERIES (G200 - G202) 1.3 - 1.6 | 01-93→ | 51 | AKEBONO | 4472-G | 10868 | P-514504 | 1 45 |
| | IV SERIES (G203)1.5 | 08-94→ | | | | | P-514504 | 1 45 |
| | G11 - 30 | 01-83→01-87 | 14,3 | | 4179-G | | | |
| | G11 - 30 - 100 - 101 - 102 | 01-83→ | 15,9 | | 4171-G | | | |
| | G100 - 101 - 102 | | 17,5 | | 4172-G | | | |
| | GTI G100-G102 | 01-87→01-93 | 30 | NABCO | 4427-G | | | |
| | IV SERIES | 03-93→ | 30 | AKEBONO | 6027-G | 11011 | P-304001 | 1 40 |
| | | | | | | 11516 | K-304001 | 1 40 |

CHARMANT

| | | | | | | | | |
|--|-----------------------|-------------|------|----------|----------------|-------|----------|--------|
| | A10 | 01-76→01-78 | 22,2 | | 4161-G | | | |
| | A 20 | 01-76→01-79 | 51 | | 3840-G | | | |
| | A35 - A45 - A60 | 01-82→01-88 | 51 | AKEBONO | 4280-G | 11354 | P-514403 | 1 44,2 |
| | (A35-A45) 1.3 - 1.6 | 11-81→07-87 | 51 | SUMITOMO | 4595-G | 10871 | P-514505 | 1 45 |
| | ALL TYPES | 08-77→10-81 | 51 | AKEBONO | 6295-G | 11356 | P-514506 | 1 45 |
| | A10 | 01-76→01-78 | 19 | | 10236-G | | | |
| | A 20 (LHD) | 01-76→01-79 | 20,6 | | 10237-G | | | |
| | A35 - A45 - A60 | 01-82→01-86 | 20,6 | | 3777-G | | | |
| | A20 - A35 - A45 - A60 | →01-86 | 15,9 | | 3738-G | | | |
| | A20 | 01-76→01-79 | 19 | | 4164-G | | | |
| | A 35 - 45 - 60 | →01-86 | 20,6 | | 10243 | | | |

COPEN

| | | | | | | | | |
|--|-----------|--------|----|--------|----------------|-------|----------|--------|
| | ALL TYPES | 09-03→ | 51 | TOKICO | 6297-G | 11359 | P-514402 | 1 44,8 |
| | ALL TYPES | 09-03→ | 8 | TOKICO | 30044-G | | | |



Master Cylinder



Front Caliper



Front Wheel Cylinder



Clutch Master Cylinder



Front Caliper Guides



Pressure Regulating Valve



Rear Caliper



Rear Wheel Cylinder



Clutch Slave Cylinder



Rear Caliper Guides

Ø
(mm.)

VERSION

**DAIHATSU**

2 of 3

CUORE

| | | | | | | | | | |
|--|----------------|-------------|------|----------|----------------|-------|----------|---|----|
| | 850 SEDAN L80 | 09-85→06-90 | 19 | | 4349-G | | | | |
| | II SERIES | 09-85→06-90 | 22,2 | | 4161-G | | | | |
| | II SERIES | 09-85→06-90 | 51 | SUMITOMO | 4284-G | 10858 | P-514503 | 1 | 45 |
| | II SERIES | 09-85→06-90 | 51 | SUMITOMO | 6005-G | | | | |
| | III SERIES 0.8 | 07-90→12-94 | 51 | AKEBONO | 6088-G | 10863 | P-514504 | 1 | 45 |
| | II SERIES | 09-85→06-90 | 14,3 | | 4179-G | | | | |
| | VI SERIES | 10-98→05-03 | 20 | SUMITOMO | 30119-G | | | | |

DELTA

| | | | | | | | | | |
|--|-----------------------|-------------|------|--|---------------|--|--|--|--|
| | ALL TYPES | 01-77→01-84 | 28,6 | | 4389-G | | | | |
| | ALL TYPES | 01-85→ | 28,6 | | 6214-G | | | | |
| | V57 - 67 - 107 | 01-85→ | 31,8 | | 4180-G | | | | |
| | EXCEPT V57 - 67 - 107 | 01-85→ | 31,8 | | 4235-G | | | | |
| | V57 - 67 - 107 | 01-85→ | 28,6 | | 4181-G | | | | |
| | 1,5TON | 01-78→01-84 | | | | | | | |
| | 2 TON | →01-84 | 28,6 | | 4195-G | | | | |
| | V SERIES | 01-85→ | | | | | | | |
| | V76 - 116 | 01-85→ | 30 | | 4197-G | | | | |
| | 2 TON | →01-84 | 31,8 | | 4235-G | | | | |
| | ALL TYPES | →01-85 | 15,9 | | 3738-G | | | | |
| | V5 - 6 - 7 - 9 - 10 | 01-86→ | 20,6 | | 10243 | | | | |

EXTOL VAN

| | | | | | | | | | |
|--|-----|--------|----|--|---------------|--|--|--|--|
| | 1.3 | 07-00→ | 52 | | 6300-G | | | | |
|--|-----|--------|----|--|---------------|--|--|--|--|

FEROZA

| | | | | | | | | | |
|--|-----------|--------|------|---------|----------------|-------|----------|---|----|
| | ALL TYPES | | 22,2 | | 3975-G | | | | |
| | ALL TYPES | 01-89→ | 54 | AKEBONO | 3824-G | 11395 | P-544302 | 1 | 43 |
| | ALL TYPES | 01-89→ | 15 | AKEBONO | 30132-G | | | | |

HIJET

| | | | | | | | | | |
|--|-----------------|-------------|------|----------|---------------|-------|----------|---|----|
| | ALL TYPES | →01-86 | 17,5 | | 4585-G | | | | |
| | ALL TYPES | 01-82→01-86 | 19 | | 3984-G | | | | |
| | 1.300 PICK-UP | | 19 | | 4347-G | | | | |
| | ALL TYPES | 06-86→05-98 | 51 | SUMITOMO | 4284-G | 10858 | P-514503 | 1 | 45 |
| | ALL TYPES | 06-86→05-98 | 51 | SUMITOMO | 6005-G | | | | |
| | ALL TYPES TRUCK | 01-84→ | 17,5 | | 4172-G | | | | |

MIRA

| | | | | | | | | | |
|--|----------------|--------|----|--|---------------|--|--|--|--|
| | 660 - 850 C.C. | 01-95→ | 19 | | 4349-G | | | | |
|--|----------------|--------|----|--|---------------|--|--|--|--|

ROCKY

| | | | | | | | | | |
|--|-----------|-------------|------|---------|----------------|-------|----------|---|----|
| | ALL TYPES | 01-90→01-93 | 22,2 | | 3975-G | | | | |
| | ALL TYPES | 04-84→ | 54 | AKEBONO | 3824-G | 11395 | P-544302 | 1 | 43 |
| | ALL TYPES | 04-84→ | 15 | AKEBONO | 30132-G | | | | |
| | ALL TYPES | | 22,2 | | 6115-G | | | | |
| | ALL TYPES | 02-85→ | 25,4 | | 3784-G | | | | |



Master Cylinder



Front Caliper



Front Wheel Cylinder



Clutch Master Cylinder



Front Caliper Guides



Pressure Regulating Valve



Rear Caliper



Rear Wheel Cylinder



Clutch Slave Cylinder



Rear Caliper Guides



∅
(mm.)

VERSION



DAIHATSU

3 of 3

SIRION

| | | | | | | | | | |
|--|----------------------|-------------|----|--------|----------------|-------|----------|---|------|
| | 1.0 - 1.3 (M1) | 10-00→02-05 | 51 | TOKICO | 4284-G | 11813 | P-514402 | 1 | 44,8 |
| | ALL TYPES (LHD) | 04-05→ | 51 | TOKICO | 6297-G | 11359 | P-514402 | 1 | 44,8 |
| | ALL TYPES | 04-05→ | 54 | TOKICO | 6308-G | 11369 | P-544904 | 1 | 49 |
| | ALL TYPES | 10-00→ | 8 | TOKICO | 30044-G | | | | |
| | 1.0 - 1.3 - 1.5 (M3) | 04-05→ | 10 | NISSAN | 30129-G | | | | |

TAFT

| | | | | | | | | | |
|--|----------------------------|-------------|------|---------|---------------|--|--|--|--|
| | VAN - SOFT TOP | 01-80→01-84 | 25,4 | | 3813-G | | | | |
| | ALL TYPES | 01-80→01-84 | 54 | AKEBONO | 3714-G | | | | |
| | ALL TYPES | 01-80→01-84 | 54 | AKEBONO | 4274-G | | | | |
| | ALL TYPES (FOR TWO WHEELS) | 01-80→01-84 | 54 | AKEBONO | 4419-G | | | | |
| | F10 - F20 - F50 - F60 | 01-75→01-84 | 22,2 | | 4344-G | | | | |

TERIOS

| | | | | | | | | | |
|--|-----------|--------|----|----------|---------------|-------|----------|---|------|
| | (J1 - J2) | 10-97→ | 54 | SUMITOMO | 11504 | 11504 | P-544804 | 1 | 48,5 |
| | SX 4WD | 10-97→ | 54 | | 4503-G | 11405 | P-544804 | 1 | 48,5 |

YRV

| | | | | | | | | | |
|--|----------------|-------------|----|--------|---------------|-------|----------|---|------|
| | 1.0 - 1.3 (M2) | 10-00→02-05 | 51 | TOKICO | 4284-G | 11813 | P-514402 | 1 | 44,8 |
|--|----------------|-------------|----|--------|---------------|-------|----------|---|------|



Master Cylinder



Front Caliper



Front Wheel Cylinder



Clutch Master Cylinder



Front Caliper Guides



Pressure Regulating Valve



Rear Caliper



Rear Wheel Cylinder



Clutch Slave Cylinder



Rear Caliper Guides



∅
(mm.)

VERSION



DODGE

1 of 1

AVENGER

| | | | | | | | | | |
|--|-----------|--------|----|---------|----------------|-------|----------|---|------|
| | ALL TYPES | 06-07→ | 10 | AKEBONO | 30085-G | | | | |
| | ALL TYPES | 01-09→ | 35 | AKEBONO | 6230-G | 11093 | P-354502 | 1 | 45,8 |
| | ALL TYPES | 01-09→ | 10 | AKEBONO | 30074-G | | | | |

CALIBER

| | | | | | | | | | |
|--|-----------|--------|----|---------|----------------|-------|----------|---|------|
| | ALL TYPES | 06-06→ | 57 | AKEBONO | 6314-G | 11440 | P-574802 | 1 | 48 |
| | ALL TYPES | 06-06→ | 10 | AKEBONO | 30085-G | | | | |
| | ALL TYPES | 06-06→ | 35 | AKEBONO | 6230-G | 11093 | P-354502 | 1 | 45,8 |
| | ALL TYPES | 06-06→ | 10 | AKEBONO | 30074-G | | | | |

CHALLENGER

| | | | | | | | | | |
|--|-----------|--------|----|-----|---------------|-------|----------|---|----|
| | ALL TYPES | 01-09→ | 60 | PBR | 6370-G | 11835 | P-605504 | 1 | 55 |
|--|-----------|--------|----|-----|---------------|-------|----------|---|----|

CHARGER

| | | | | | | | | | |
|--|-----------|--------|----|-----|---------------|-------|----------|---|----|
| | ALL TYPES | 01-06→ | 60 | PBR | 6370-G | 11835 | P-605504 | 1 | 55 |
|--|-----------|--------|----|-----|---------------|-------|----------|---|----|

DURANGO

| | | | | | | | | | |
|--|-----------------|--------|----|--|--------------|-------|----------|---|------|
| | ALL TYPES (USA) | 01-11→ | 48 | | 11503 | 11503 | P-485505 | 2 | 55,5 |
| | ALL TYPES (USA) | 01-11→ | 48 | | 11502 | 11502 | P-485004 | 1 | 50,5 |

JOURNEY

| | | | | | | | | | |
|--|-----------|--------|----|-----|----------------|-------|----------|---|------|
| | ALL TYPES | 06-08→ | 66 | TRW | 6182-G | 11488 | P-665302 | 1 | 53,4 |
| | ALL TYPES | 06-08→ | 8 | TRW | 30004-G | | | | |
| | 2.0 CRD | 06-08→ | 43 | TRW | 6077-G | 10794 | P-425102 | 1 | 51,3 |
| | 2.0 CRD | 06-08→ | 43 | TRW | 6265-G | 11751 | K-425102 | 1 | 51,3 |

MAGNUM

| | | | | | | | | | |
|--|-----------|--------|----|-----|---------------|-------|----------|---|----|
| | ALL TYPES | 01-05→ | 60 | PBR | 6370-G | 11835 | P-605504 | 1 | 55 |
|--|-----------|--------|----|-----|---------------|-------|----------|---|----|

NITRO

| | | | | | | | | | |
|--|-----------|--------|----|-----|---------------|-------|----------|---|------|
| | ALL TYPES | 06-07→ | 66 | TRW | 6182-G | 11488 | P-665302 | 1 | 53,4 |
|--|-----------|--------|----|-----|---------------|-------|----------|---|------|



Master Cylinder



Front Caliper



Front Wheel Cylinder



Clutch Master Cylinder



Front Caliper Guides



Pressure Regulating Valve



Rear Caliper



Rear Wheel Cylinder



Clutch Slave Cylinder



Rear Caliper Guides



∅
(mm.)

VERSION



ENASA

1 of 1

PEGASO

| | | | | | |
|--|-------------------------|--------|------|-----|---------|
| | COMET - TECNO T-1 - T-2 | 01-77→ | 25,4 | ATE | 3158-GV |
|--|-------------------------|--------|------|-----|---------|

SAVA J4 - LDO - 5

| | | | | | |
|--|----------------------------|--------|------|-------|---------|
| | II SERIES (SIMPLE CIRCUIT) | 01-73→ | 20,6 | | 3062-G |
| | LDO - 5 | | 25,4 | | 2733-G |
| | ALL TYPES | | 27 | | 2715-GV |
| | I - II SERIES | | 22,2 | LUCAS | 2604-G |
| | I - II SERIES | | 22,2 | | 2603-G |
| | ALL TYPES | | 22,2 | LUCAS | 3110-G |



Master Cylinder



Front Caliper



Front Wheel Cylinder



Clutch Master Cylinder



Front Caliper Guides



Pressure Regulating Valve



Rear Caliper



Rear Wheel Cylinder



Clutch Slave Cylinder



Rear Caliper Guides

Ø
(mm.)

VERSION



FIAT

1 of 11

124

| | | | | | | | | | |
|------------------------|-----------|-------------|------|----------------|---------------|-------|----------|---|----|
| | ALL TYPES | 02-73→07-75 | 34 | BEDNIX - BOSCH | 2684-G | 11556 | P-344001 | 1 | 40 |
| 126 - 127 - 128 | | | | | | | | | |
| | 127 | | 19 | ATE | 3019-G | | | | |
| | ALL TYPES | | 19 | FIAT | 3137-G | | | | |
| | ALL TYPES | | 19 | ATE | 3324-G | | | | |
| | 128 | | 48 | BEDNIX - BOSCH | 2675-G | 10834 | P-485003 | 1 | 50 |
| | 127 | 06-71→12-86 | 48 | BEDNIX - BOSCH | 2679-G | 10836 | P-485003 | 1 | 50 |
| | ALL TYPES | | 48 | ATE | 3079-G | | | | |
| | ALL TYPES | | 15,9 | FIAT | 3049-G | | | | |
| | 126 - 128 | 03-69→ | 19 | BEDNIX - BOSCH | 2605-G | | | | |
| | 127 | 04-81→12-86 | 19 | | 4657-G | | | | |

132

| | | | | | | | | | |
|--|-----|-------------|----|----------------|---------------|--|--|--|--|
| | 1.6 | 04-72→12-82 | 38 | BEDNIX - BOSCH | 3018-G | | | | |
|--|-----|-------------|----|----------------|---------------|--|--|--|--|

500

| | | | | | | | | | |
|--|---------------------------------------|--------|----|----------------|----------------|-------|----------|---|------|
| | 1.2 | 07-07→ | 48 | BEDNIX - BOSCH | 4288-G | 10543 | P-484701 | 1 | 47 |
| | 1.3D MULTIJET (55KW) (-SPORT PACKAGE) | 07-07→ | 48 | BOSCH | 6289-G | 11315 | P-485001 | 1 | 50 |
| | 0.9TURBO | 09-10→ | 54 | ATE | 4318-G | 11378 | P-545003 | 1 | 50,5 |
| | ALL TYPES | 10-07→ | 54 | BOSCH | 4632-G | 10568 | P-545201 | 1 | 52,5 |
| | ALL TYPES | 10-07→ | 10 | BOSCH | 30014-G | | | | |
| | ALL TYPES | 07-07→ | 16 | BEDNIX - BOSCH | 30112-G | | | | |
| | ALL TYPES (DISC 11MM) | 10-07→ | 34 | LUCAS | 4695-G | 10516 | P-334601 | 1 | 46,8 |
| | | | | | | 11564 | K-334601 | 1 | 46,8 |
| | ALL TYPES | 09-12→ | 38 | LUCAS | 4442-G | 10520 | P-385101 | 1 | 51 |
| | | | | | | 11651 | K-385101 | 1 | 51 |
| | ALL TYPES | 09-09→ | 8 | LUCAS | 30004-G | | | | |
| | ALL TYPES | 10-07→ | 10 | LUCAS | 30041-G | | | | |

850

| | | | | | | | | | |
|--|-----------|-------------|----|----------------|---------------|--|--|--|--|
| | ALL TYPES | 07-64→10-72 | 45 | BEDNIX - BOSCH | 2633-G | | | | |
|--|-----------|-------------|----|----------------|---------------|--|--|--|--|

900

| | | | | | | | | | |
|--|-----------|--|----|----------------|---------------|--|--|--|--|
| | ALL TYPES | | 45 | BEDNIX - BOSCH | 2633-G | | | | |
|--|-----------|--|----|----------------|---------------|--|--|--|--|

ARGENTA - NUOVA

| | | | | | | | | | |
|--|-------------------------|-------------|------|----------------|---------------|-------|----------|---|------|
| | ARGENTA 1.6 - 2.0 - D | | 19 | FIAT | 3137-G | | | | |
| | ARGENTA 1.6 - 2.0 - D | | 19 | ATE | 3324-G | | | | |
| | NUOVA ARGENTA | | 20,6 | BEDNIX - BOSCH | 3325-G | | | | |
| | 1.6 - 2.0 - 2.5D | 06-78→01-86 | 48 | LUCAS | 3267-G | 10537 | P-485302 | 1 | 53,6 |
| | NUOVA ARGENTA - TD - IE | 01-78→01-86 | 54 | LUCAS | 3220-G | 10567 | P-545103 | 1 | 51 |
| | ARGENTA DIESEL | | 22,2 | BEDNIX - BOSCH | 2606-G | | | | |
| | ARGENTA 1.6 - 2.0 | | 34 | BEDNIX - BOSCH | 2684-G | 11556 | P-344001 | 1 | 40 |
| | ARGENTA 2.0 IE | 06-81→07-96 | 34 | BEDNIX - BOSCH | 3258-G | 11549 | P-344501 | 1 | 45,5 |
| | NUOVA ARGENTA TD | | 38 | BEDNIX - BOSCH | 3021-G | | | | |



Master Cylinder



Front Caliper



Front Wheel Cylinder



Clutch Master Cylinder



Front Caliper Guides



Pressure Regulating Valve



Rear Caliper



Rear Wheel Cylinder



Clutch Slave Cylinder



Rear Caliper Guides

Ø
(mm.)

VERSION



FIAT

2 of 11

BARCHETTA

| | | | | | | | | | |
|--|-----------|--------|------|----------------|----------------|-------|----------|---|------|
| | ALL TYPES | 01-95→ | 22,2 | BEDNIX - BOSCH | 3583-G | | | | |
| | 1.8 16V | 04-95→ | 54 | ATE | 3073-G | 10573 | P-545501 | 1 | 55,5 |
| | ALL TYPES | 04-95→ | 34 | LUCAS | 3384-G | 10514 | P-334601 | 1 | 46,8 |
| | | | | | | 11562 | K-334601 | 1 | 46,8 |
| | ALL TYPES | 04-95→ | 8 | LUCAS | 30001-G | | | | |

BRAVO - BRAVA

| | | | | | | | | | |
|--|-----------------------------|-------------|------|----------------|----------------|-------|------------|---|------|
| | ALL TYPES | | 22,2 | BEDNIX - BOSCH | 3583-G | | | | |
| | BRAVO BRAVA I SERIES | 09-95→ | 54 | ATE | 3073-G | 10573 | P-545501 | 1 | 55,5 |
| | II SERIES BRAVO (DISC 22MM) | 04-07→ | 54 | BOSCH | 4632-G | 10911 | P-545102 | 1 | 51,5 |
| | II SERIES BRAVO (DISC 26MM) | 04-07→ | 57 | BOSCH | 4643-G | 10948 | P-575101 | 1 | 51,7 |
| | II SERIES BRAVO (DISC 22MM) | 04-07→ | 10 | BOSCH | 30014-G | | | | |
| | ALL TYPES (-ABS) | | 22,2 | AP LOCKHEED | 3584-G | | | | |
| | ALL TYPES (ABS) | | 22,2 | BEDNIX - BOSCH | 4246-G | | | | |
| | BRAVO 2.0i | 09-96→ | 34 | LUCAS | 3384-G | 10514 | P-334601 | 1 | 46,8 |
| | | | | | | 11562 | K-334601 | 1 | 46,8 |
| | II SERIES BRAVO | 07-07→ | 38 | BOSCH | 4858-G | 10631 | P-384901 | 1 | 49 |
| | | | | | | 11617 | K-384901-R | 1 | 49 |
| | | | | | | 11616 | K-384901-L | 1 | 49 |
| | ALL TYPES | 01-95→01-01 | 25,4 | BOSCH | 4242-G | | | | |

CINQUECENTO

| | | | | | | | | | |
|--|-----------|-------------|----|----------------|----------------|-------|----------|---|----|
| | ALL TYPES | | 19 | BEDNIX - BOSCH | 3582-G | | | | |
| | ALL TYPES | 01-91→01-98 | 48 | BEDNIX - BOSCH | 4288-G | 10543 | P-484701 | 1 | 47 |
| | ALL TYPES | | 48 | BEDNIX - BOSCH | 4300-G | | | | |
| | ALL TYPES | 01-91→01-98 | 16 | BEDNIX - BOSCH | 30112-G | | | | |
| | ALL TYPES | | 19 | BEDNIX - BOSCH | 2605-G | | | | |

COUPE

| | | | | | | | | | |
|--|--------------------------|-------------|------|----------------|----------------|-------|----------|---|------|
| | ALL TYPES | | 22,2 | BEDNIX - BOSCH | 3583-G | | | | |
| | 1.8 16V | 01-96→ | 54 | ATE | 3073-G | 10573 | P-545501 | 1 | 55,5 |
| | ALL TYPES EXCEPT 1.8 16V | 11-93→ | 54 | LUCAS | 3220-G | 10570 | P-545301 | 1 | 53,7 |
| | ALL TYPES | 11-93→ | 34 | LUCAS | 3384-G | 10514 | P-334601 | 1 | 46,8 |
| | | | | | | 11562 | K-334601 | 1 | 46,8 |
| | ALL TYPES | 11-93→ | 8 | LUCAS | 30001-G | | | | |
| | ALL TYPES | 11-93→ | 19 | BOSCH | 3644-G | | | | |
| | ALL TYPES | 06-95→10-97 | 25,4 | BEDNIX - BOSCH | 3225-G | | | | |



Master Cylinder



Front Caliper



Front Wheel Cylinder



Clutch Master Cylinder



Front Caliper Guides



Pressure Regulating Valve



Rear Caliper



Rear Wheel Cylinder



Clutch Slave Cylinder



Rear Caliper Guides



∅
(mm.)

VERSION



FIAT

3 of 11

CROMA

| | | | | | | | | | |
|--|---------------------------|-------------|------|----------------|----------------|-------|----------|---|------|
| | I SERIES | 10-84→ | 22,2 | BEDNIX - BOSCH | 3189-G | | | | |
| | II SERIES | 06-05→ | 25,4 | LUCAS | 4570-G | | | | |
| | I SERIES (DISC 14-22MM) | 09-88→ | 54 | LUCAS | 3220-G | 10570 | P-545301 | 1 | 53,7 |
| | I SERIES (DISC 12MM) | 10-84→ | | | | 10567 | P-545103 | 1 | 51 |
| | I SERIES (DISC 20MM) | | | | | 10563 | P-544901 | 1 | 49,8 |
| | II SERIES (-2,8 V6 TURBO) | 06-05→ | 57 | ATE | 4768-G | 11423 | P-575505 | 1 | 55,7 |
| | II SERIES | 06-05→ | 60 | TRW | 6178-G | 11462 | P-605301 | 1 | 53 |
| | I SERIES | 01-86→01-97 | 36 | LUCAS | 3257-G | 10518 | P-364801 | 1 | 48 |
| | I SERIES | 10-84→09-90 | 36 | BEDNIX - BOSCH | 3319-G | 10723 | P-364502 | 1 | 45,5 |
| | I SERIES | 01-86→01-97 | 38 | LUCAS | 3247-G | 10521 | P-385101 | 1 | 51 |
| | | | | | | 11652 | K-385101 | 1 | 51 |
| | II SERIES | 06-05→ | 41 | LUCAS | 4289-G | 10610 | P-415101 | 1 | 51 |
| | | | | | | 11696 | K-415101 | 1 | 51 |
| | II SERIES | 06-05→ | 8,4 | LUCAS | 30046-G | | | | |
| | II SERIES | 06-05→ | 18 | BREMBO | 30032-G | | | | |
| | I SERIES | | 19 | BEDNIX - BOSCH | 3357-G | | | | |
| | I SERIES | | 25,4 | BEDNIX - BOSCH | 3225-G | | | | |
| | I SERIES 2.0 | 01-87→01-96 | 25,4 | BOSCH | 4242-G | | | | |

DOBLO

| | | | | | | | | | |
|--|-----------|--------|------|-------|----------------|-------|----------|---|------|
| | ALL TYPES | 03-01→ | 22,2 | ATE | 4846-G | | | | |
| | ALL TYPES | 03-01→ | 54 | ATE | 3073-G | 10566 | P-545101 | 1 | 51 |
| | ALL TYPES | 01-05→ | 54 | BOSCH | 4632-G | 10568 | P-545201 | 1 | 52,5 |
| | ALL TYPES | 02-10→ | 10 | BOSCH | 30014-G | | | | |
| | ALL TYPES | 03-01→ | 10 | BOSCH | 30057-G | | | | |



Master Cylinder



Front Caliper



Front Wheel Cylinder



Clutch Master Cylinder



Front Caliper Guides



Pressure Regulating Valve



Rear Caliper



Rear Wheel Cylinder



Clutch Slave Cylinder



Rear Caliper Guides

Ø
(mm.)

VERSION



FIAT

4 of 11

DUCATO

| | | | | | | | | | |
|--|-------------------------------|-------------|------|----------------|----------------|-------|----------|---|------|
| | I SERIES | 01-81→03-94 | 22,2 | BEDNIX - BOSCH | 3189-G | | | | |
| | II SERIES (-ABS) | 01-94→01-02 | 22,2 | BOSCH | 4831-G | | | | |
| | II SERIES (-ABS) | 03-94→ | 23,8 | BEDNIX - BOSCH | 3652-G | | | | |
| | II SERIES (EXCEPT 2.8) (-ABS) | 03-94→04-02 | 25,4 | BEDNIX - BOSCH | 3664-G | | | | |
| | II SERIES | 04-02→07-06 | 25,4 | BOSCH | 4780-G | | | | |
| | II SERIES 2.8 | 03-94→04-02 | | | | | | | |
| | I SERIES | 03-89→05-94 | 38 | LUCAS | 3181-G | 10739 | P-485302 | 1 | 53,6 |
| | | | | | | | P-385301 | 1 | 53,6 |
| | II SERIES (EXCEPT 1.8) | 03-94→04-02 | 40 | LUCAS | 3657-G | 10607 | P-485302 | 1 | 53 |
| | | | | | | | P-405301 | 1 | 53 |
| | I SERIES | 07-85→05-94 | 43 | GIRLING | 3651-G | 10791 | P-485302 | 1 | 53,6 |
| | | | | | | | P-435301 | 1 | 53,6 |
| | II SERIES (EXCEPT 1.8) | 01-02→07-06 | 44 | BREMBO | 4663-G | 10795 | P-485701 | 1 | 57,5 |
| | III SERIES 30 - 33 | 07-06→ | | | | | P-485701 | 1 | 57,5 |
| | II SERIES (EXCEPT 1.8) | 01-02→07-06 | | | | | P-445701 | 1 | 57,5 |
| | III SERIES 30 - 33 | 07-06→ | | | | | P-445701 | 1 | 57,5 |
| | II SERIES 1.8 | 02-94→04-02 | 45 | LUCAS | 3656-G | 10614 | P-485302 | 1 | 53 |
| | | | | | | | P-455301 | 1 | 53 |
| | III SERIES 35 - 40 | 07-06→ | 46 | BREMBO | 4666-G | 11302 | P-525801 | 1 | 58 |
| | II SERIES 1.8 | 04-02→07-06 | | | | 11301 | P-525602 | 1 | 56,6 |
| | III SERIES 35 - 40 | 07-06→ | | | | 11302 | P-465801 | 1 | 58 |
| | II SERIES 1.8 | 04-02→07-06 | | | | 11301 | P-465601 | 1 | 56,6 |
| | II SERIES | 02-94→04-02 | 10 | LUCAS | 30041-G | | | | |
| | II SERIES | 04-02→07-06 | 18 | BREMBO | 30032-G | | | | |
| | I SERIES | 01-81→03-94 | 22,2 | LUCAS | 3063-G | | | | |
| | I SERIES | 01-81→03-94 | 25,4 | LUCAS | 3055-G | | | | |
| | II SERIES | 01-94→07-06 | 25,4 | LUCAS | 3653-G | | | | |
| | I SERIES | 01-81→03-94 | 27 | LUCAS | 3288-G | | | | |
| | II SERIES | 01-94→07-06 | 27 | LUCAS | 3655-G | | | | |
| | II SERIES | 01-94→07-06 | 28,6 | LUCAS | 3654-G | | | | |
| | II SERIES | 03-94→07-06 | 46 | BREMBO | 4665-G | 11306 | P-465901 | 1 | 59,5 |
| | III SERIES | 07-06→ | 48 | BOSCH | 4645-G | 10842 | P-485001 | 1 | 50 |
| | III SERIES | 07-06→ | 10 | BOSCH | 30014-G | | | | |
| | II SERIES | 03-94→07-06 | 18 | BREMBO | 30032-G | | | | |

DUNA

| | | | | | | | | | |
|--|-----------|-------------|------|-----|---------------|-------|----------|---|----|
| | ALL TYPES | 01-87→01-92 | 20,6 | ATE | 3658-G | | | | |
| | ALL TYPES | 01-87→01-92 | 48 | ATE | 3130-G | 10535 | P-485101 | 1 | 51 |
| | ALL TYPES | 01-87→01-92 | 48 | ATE | 6173-G | | | | |
| | ALL TYPES | 01-87→01-92 | 19 | ATE | 3662-G | | | | |



Master Cylinder



Front Caliper



Front Wheel Cylinder



Clutch Master Cylinder



Front Caliper Guides



Pressure Regulating Valve



Rear Caliper



Rear Wheel Cylinder



Clutch Slave Cylinder



Rear Caliper Guides

Ø
(mm.)

VERSION



FIAT

5 of 11

FIORINO

| | | | | | | | | | |
|--|-----------|-------------|------|----------------|----------------|-------|----------|---|------|
| | ALL TYPES | | 19 | BEDNIX - BOSCH | 3188-G | | | | |
| | ALL TYPES | | 20,6 | ATE | 3658-G | | | | |
| | ALL TYPES | 05-88→05-01 | 22,2 | BEDNIX - BOSCH | 4930-G | | | | |
| | ALL TYPES | 01-78→ | 48 | BEDNIX - BOSCH | 2679-G | 10836 | P-485003 | 1 | 50 |
| | ALL TYPES | 01-80→01-95 | 48 | ATE | 3130-G | 10535 | P-485101 | 1 | 51 |
| | ALL TYPES | 01-80→01-95 | 48 | ATE | 6173-G | | | | |
| | ALL TYPES | 01-93→ | 54 | ATE | 3661-G | | | | |
| | ALL TYPES | 02-08→ | 54 | BOSCH | 4632-G | 10568 | P-545201 | 1 | 52,5 |
| | ALL TYPES | 02-08→ | 10 | BOSCH | 30014-G | | | | |
| | ALL TYPES | | 19 | BEDNIX - BOSCH | 2605-G | | | | |
| | ALL TYPES | | 19 | ATE | 3662-G | | | | |

FREEMONT

| | | | | | | | | | |
|--|-----------|--------|----|--------|----------------|-------|----------|---|------|
| | ALL TYPES | 08-11→ | 8 | LUCAS | 30004-G | | | | |
| | ALL TYPES | 06-11→ | 43 | VARGAS | 6077-G | 10794 | P-425102 | 1 | 51,3 |
| | ALL TYPES | | | | | 11751 | K-425102 | 1 | 51,3 |
| | ALL TYPES | 06-11→ | 43 | VARGAS | 6265-G | | | | |

GRANDE PUNTO

| | | | | | | | | | |
|--|-----------|--------|------|-------------|---------------|-------|------------|---|------|
| | ALL TYPES | 10-05→ | 54 | BOSCH | 4632-G | 10568 | P-545201 | 1 | 52,5 |
| | ALL TYPES | 10-05→ | 20,6 | AP LOCKHEED | 4247-G | | | | |
| | ALL TYPES | 10-05→ | 36 | BOSCH | 6083-G | | | | |
| | ALL TYPES | 10-05→ | 36 | BOSCH | 6184-G | 11596 | P-364901 | 1 | 49 |
| | | | | | | 11614 | K-364901-R | 1 | 49 |
| | | | | | | 11613 | K-364901-L | 1 | 49 |

IDEA

| | | | | | | | | | |
|--|-----------------|--------|------|----------------|----------------|-------|----------|---|------|
| | ALL TYPES (EPS) | 01-04→ | 23,8 | BEDNIX - BOSCH | 4681-G | | | | |
| | 1.2 - 1.3 - 1.4 | 01-04→ | 54 | BOSCH | 4632-G | 10568 | P-545201 | 1 | 52,5 |
| | 1.3 - 1.6 - 1.9 | 01-04→ | 54 | BOSCH | 6305-G | 11366 | P-545201 | 1 | 52,5 |
| | ALL TYPES | 01-04→ | 10 | BOSCH | 30057-G | | | | |
| | 1.2 - 1.3 - 1.4 | 01-04→ | 15,9 | AP LOCKHEED | 4976-G | | | | |

LINEA

| | | | | | | | | | |
|--|-----------|--------|----|-------|----------------|-------|----------|---|------|
| | ALL TYPES | 10-06→ | 54 | BOSCH | 4632-G | 10568 | P-545201 | 1 | 52,5 |
| | ALL TYPES | 10-06→ | 10 | BOSCH | 30014-G | | | | |
| | 1.4 T-JET | 09-07→ | 38 | LUCAS | 4442-G | 10520 | P-385101 | 1 | 51 |
| | | | | | | 11651 | K-385101 | 1 | 51 |

MAREA

| | | | | | | | | | |
|--|-------------------|-------------|------|----------------|---------------|-------|----------|---|------|
| | ALL TYPES | | 22,2 | BEDNIX - BOSCH | 3583-G | | | | |
| | ALL TYPES | | 54 | ATE | 3660-G | 10922 | P-545501 | 1 | 55,5 |
| | DIESEL | | 20,6 | BEDNIX - BOSCH | 3581-G | | | | |
| | 1.6 - 1.8 - BREAK | | 22,2 | AP LOCKHEED | 3584-G | | | | |
| | 1.4 - 1.6 - 1.8 | | 22,2 | BEDNIX - BOSCH | 4246-G | | | | |
| | ALL TYPES | 09-96→04-99 | 34 | LUCAS | 3384-G | 10514 | P-334601 | 1 | 46,8 |
| | | | | | | 11562 | K-334601 | 1 | 46,8 |
| | ALL TYPES | | 19 | BEDNIX - BOSCH | 3644-G | | | | |
| | 2.4TD - JTD | 01-96→ | 25,4 | BOSCH | 4242-G | | | | |



Master Cylinder



Front Caliper



Front Wheel Cylinder



Clutch Master Cylinder



Front Caliper Guides



Pressure Regulating Valve



Rear Caliper



Rear Wheel Cylinder



Clutch Slave Cylinder



Rear Caliper Guides



Ø
(mm.)

VERSION



FIAT

6 of 11

MULTIPLA

| | | | | | | | | | |
|--|-----------|-------------|------|----------------|----------------|-------|------------|---|------|
| | ALL TYPES | 01-99→ | 20,6 | BEDNIX - BOSCH | 3358-G | | | | |
| | ALL TYPES | 01-99→ | 22,2 | BEDNIX - BOSCH | 3583-G | | | | |
| | ALL TYPES | 01-99→ | 54 | ATE | 3073-G | 10573 | P-545501 | 1 | 55,5 |
| | ALL TYPES | 01-99→ | 54 | BOSCH | 6305-G | 11366 | P-545201 | 1 | 52,5 |
| | ALL TYPES | 01-99→ | 20,6 | BEDNIX - BOSCH | 3581-G | | | | |
| | ALL TYPES | 04-99→12-05 | 38 | BOSCH | 4661-G | 10686 | P-384702 | 1 | 47 |
| | | | | | | 11654 | K-384702 | 1 | 47 |
| | ALL TYPES | 01-06→ | 38 | BOSCH | 4858-G | 10631 | P-384901 | 1 | 49 |
| | | | | | | 11617 | K-384901-R | 1 | 49 |
| | | | | | | 11616 | K-384901-L | 1 | 49 |
| | ALL TYPES | 01-06→ | 38 | BOSCH | 4990-G | | | | |
| | ALL TYPES | 04-99→ | 38 | BOSCH | 6030-G | | | | |
| | ALL TYPES | 04-99→ | 10 | BOSCH | 30057-G | | | | |
| | ALL TYPES | | 20,6 | VALEO | 4867-G | | | | |

PALIO

| | | | | | | | | | |
|--|-----------|--------|------|----------------|---------------|-------|----------|---|------|
| | ALL TYPES | 01-01→ | 22,2 | BEDNIX - BOSCH | 4930-G | | | | |
| | ALL TYPES | 04-96→ | 48 | ATE | 3130-G | 10535 | P-485101 | 1 | 51 |
| | ALL TYPES | 04-96→ | 48 | ATE | 6173-G | | | | |
| | ALL TYPES | 04-96→ | 54 | ATE | 3073-G | 10566 | P-545101 | 1 | 51 |
| | ALL TYPES | 09-01→ | 54 | BOSCH | 6305-G | 11366 | P-545201 | 1 | 52,5 |
| | ALL TYPES | | 20,6 | BEDNIX - BOSCH | 3581-G | | | | |

PANDA - MARBELLA

| | | | | | | | | | |
|--|--------------------------|-------------|------|----------------|----------------|-------|----------|---|------|
| | ALL TYPES | 01-70→01-86 | 19 | FIAT | 3137-G | | | | |
| | ALL TYPES | 01-86→ | 19 | ATE | 3324-G | | | | |
| | ALL TYPES | 01-86→ | 20,6 | BEDNIX - BOSCH | 3325-G | | | | |
| | PANDA | 09-03→ | 20,6 | BOSCH | 4925-G | | | | |
| | I SERIES | 03-80→ | 48 | BEDNIX - BOSCH | 2675-G | 10834 | P-485003 | 1 | 50 |
| | I SERIES SELECTA | 04-91→ | 48 | LUCAS | 3267-G | 10819 | P-484901 | 1 | 49,7 |
| | (169 SERIES) 1.1 - 1.2 | 09-03→ | 48 | BEDNIX - BOSCH | 4288-G | 10543 | P-484701 | 1 | 47 |
| | (169 SERIES) | 09-03→ | 48 | BOSCH | 6289-G | 11315 | P-485001 | 1 | 50 |
| | (312 SERIES) | 01-12→ | 54 | ATE | 4318-G | 11378 | P-545003 | 1 | 50,5 |
| | (169 SERIES) | 10-04→ | 54 | BOSCH | 4632-G | 10568 | P-545201 | 1 | 52,5 |
| | (169 SERIES) | 09-03→ | 10 | BOSCH | 30014-G | | | | |
| | (169 SERIES) | 09-03→ | 16 | BEDNIX - BOSCH | 30112-G | | | | |
| | ALL TYPES | →01-84 | 15,9 | FIAT | 3049-G | | | | |
| | ALL TYPES | 01-84→ | 19 | BEDNIX - BOSCH | 2605-G | | | | |
| | ALL TYPES | 01-92→ | 19 | AP LOCKHEED | 4244-G | | | | |
| | PANDA | 09-93→ | 20,6 | AP LOCKHEED | 4247-G | | | | |
| | (169 SERIES) (DISC 11MM) | 09-03→ | 34 | LUCAS | 4695-G | 10516 | P-334601 | 1 | 46,8 |
| | | | | | | 11564 | K-334601 | 1 | 46,8 |
| | (169 SERIES) | 09-03→ | 10 | LUCAS | 30041-G | | | | |



Master Cylinder



Front Caliper



Front Wheel Cylinder



Clutch Master Cylinder



Front Caliper Guides



Pressure Regulating Valve



Rear Caliper



Rear Wheel Cylinder



Clutch Slave Cylinder



Rear Caliper Guides

Ø
(mm.)

VERSION



FIAT

7 of 11

PUNTO (176 SERIES)

| | | | | | | | | | |
|--|-------------|-------------|------|----------------|----------------|-------|----------|---|------|
| | ALL TYPES | 09-93→09-99 | 20,6 | BEDNIX - BOSCH | 3358-G | | | | |
| | ALL TYPES | 11-93→08-99 | 48 | ATE | 3130-G | 10556 | P-485201 | 1 | 52,7 |
| | ALL TYPES | 11-93→08-99 | 48 | LUCAS | 3267-G | 10819 | P-484901 | 1 | 49,7 |
| | ALL TYPES | 11-93→08-99 | 48 | BEDNIX - BOSCH | 4288-G | 10543 | P-484701 | 1 | 47 |
| | ALL TYPES | 11-93→08-99 | 48 | BEDNIX - BOSCH | 4300-G | | | | |
| | ALL TYPES | 11-93→08-99 | 48 | ATE | 6173-G | | | | |
| | 1400GT | 11-93→08-99 | 54 | GIRLING | 3220-G | 10563 | P-544901 | 1 | 49,8 |
| | ALL TYPES | 11-93→08-99 | 10 | LUCAS | 30041-G | | | | |
| | ALL TYPES | 11-93→08-99 | 16 | BEDNIX - BOSCH | 30112-G | | | | |
| | (EXCEPT GT) | | 20,6 | BEDNIX - BOSCH | 3581-G | | | | |
| | ALL TYPES | | 20,6 | AP LOCKHEED | 4247-G | | | | |
| | 1400GT | 11-93→ | 34 | LUCAS | 3384-G | 10514 | P-334601 | 1 | 46,8 |
| | | | | | | 11562 | K-334601 | 1 | 46,8 |
| | ALL TYPES | | 20,6 | VALEO | 4867-G | | | | |

PUNTO (188 SERIES)

| | | | | | | | | | |
|--|-----------------------|--------|----|----------------|----------------|-------|----------|---|------|
| | ALL TYPES | 09-99→ | 48 | ATE | 3130-G | 10556 | P-485201 | 1 | 52,7 |
| | ALL TYPES | 09-99→ | 48 | BEDNIX - BOSCH | 4288-G | 10543 | P-484701 | 1 | 47 |
| | ALL TYPES (DISC 20MM) | 09-99→ | 54 | ATE | 3073-G | 10573 | P-545501 | 1 | 55,5 |
| | ALL TYPES (DISC 22MM) | | | | | 10566 | P-545101 | 1 | 51 |
| | ALL TYPES (DISC 11MM) | 09-99→ | 34 | LUCAS | 4695-G | 10516 | P-334601 | 1 | 46,8 |
| | | | | | | 11564 | K-334601 | 1 | 46,8 |
| | ALL TYPES | 09-99→ | 10 | LUCAS | 30041-G | | | | |

PUNTO (199 SERIES)

| | | | | | | | | | |
|--|----------------------|--------|----|-------|----------------|-------|------------|---|------|
| | 0.9 | 03-12→ | 54 | ATE | 4318-G | 11378 | P-545003 | 1 | 50,5 |
| | ALL TYPES EXCEPT 0.9 | 10-09→ | 54 | BOSCH | 4632-G | 10568 | P-545201 | 1 | 52,5 |
| | 0.9 | 03-12→ | 54 | ATE | 6033-G | | | | |
| | ALL TYPES | 10-09→ | 10 | BOSCH | 30014-G | | | | |
| | ALL TYPES | 10-09→ | 36 | BOSCH | 6083-G | | | | |
| | ALL TYPES | 10-09→ | 36 | BOSCH | 6184-G | 11596 | P-364901 | 1 | 49 |
| | | | | | | 11614 | K-364901-R | 1 | 49 |
| | | | | | | 11613 | K-364901-L | 1 | 49 |
| | ALL TYPES | 10-09→ | 10 | BOSCH | 30059-G | | | | |

QUBO

| | | | | | | | | | |
|--|-----------|--------|----|-------|----------------|-------|----------|---|------|
| | ALL TYPES | 09-08→ | 54 | BOSCH | 4632-G | 10568 | P-545201 | 1 | 52,5 |
| | ALL TYPES | 09-08→ | 10 | BOSCH | 30014-G | | | | |

REGATA

| | | | | | | | | | |
|--|-----------|-------------|------|----------------|---------------|-------|----------|---|------|
| | ALL TYPES | 01-70→01-86 | 19 | FIAT | 3137-G | | | | |
| | ALL TYPES | 01-83→01-86 | 19 | ATE | 3324-G | | | | |
| | ALL TYPES | 01-86→ | 20,6 | BEDNIX - BOSCH | 3325-G | | | | |
| | ALL TYPES | | 48 | BEDNIX - BOSCH | 2675-G | 10834 | P-485003 | 1 | 50 |
| | ALL TYPES | 09-83→ | 48 | LUCAS | 3267-G | 10819 | P-484901 | 1 | 49,7 |
| | ALL TYPES | | 19 | BEDNIX - BOSCH | 2605-G | | | | |



Master Cylinder



Front Caliper



Front Wheel Cylinder



Clutch Master Cylinder



Front Caliper Guides



Pressure Regulating Valve



Rear Caliper



Rear Wheel Cylinder



Clutch Slave Cylinder



Rear Caliper Guides

Ø
(mm.)

VERSION



FIAT

8 of 11

RITMO - NUOVA

| | | | | | | | | | |
|--|----------------------------|-------------|------|----------------|---------------|-------|----------|---|------|
| | ALL TYPES | 01-70→01-86 | 19 | FIAT | 3137-G | | | | |
| | ALL TYPES | 01-79→01-86 | 19 | ATE | 3324-G | | | | |
| | NUOVA RITMO (FL 85) | 01-86→ | 20,6 | BEDNIX - BOSCH | 3325-G | | | | |
| | NUOVA RITMO 130 TC | | 22,2 | BEDNIX - BOSCH | 3189-G | | | | |
| | ALL TYPES (DIESEL) | | 48 | BEDNIX - BOSCH | 2675-G | 10834 | P-485003 | 1 | 50 |
| | II SERIES RITMO | 01-83→ | 48 | LUCAS | 3267-G | 10819 | P-484901 | 1 | 49,7 |
| | NUOVA RITMO 130 TC | | 54 | BEDNIX - BOSCH | 3237-G | 10920 | P-544702 | 1 | 47 |
| | RITMO | | 17,5 | BEDNIX - BOSCH | 3045-G | | | | |
| | NUOVA RITMO D - TD - 130TC | | 19 | BEDNIX - BOSCH | 2605-G | | | | |

SCUDO

| | | | | | | | | | |
|--|--------------------------|-------------|------|----------------|----------------|-------|----------|---|------|
| | ALL TYPES | | 22,2 | BEDNIX - BOSCH | 3361-G | | | | |
| | ALL TYPES | 01-07→ | 45 | LUCAS | 3656-G | 10614 | P-485302 | 1 | 53 |
| | | | | | | | P-455301 | 1 | 53 |
| | ALL TYPES | 02-96→ | 57 | LUCAS | 3481-G | 10580 | P-575401 | 1 | 54,8 |
| | ALL TYPES | 02-96→ | 57 | BEDNIX - BOSCH | 3586-G | 10583 | P-575101 | 1 | 51,7 |
| | ALL TYPES | 09-03→ | 60 | LUCAS | 4860-G | 10988 | P-605301 | 1 | 53 |
| | ALL TYPES | 02-96→09-03 | 10 | LUCAS | 30041-G | | | | |
| | ALL TYPES | 09-03→ | 10 | LUCAS | 30078-G | | | | |
| | ALL TYPES | 02-96→ | 20 | BEDNIX - BOSCH | 30122-G | | | | |
| | ALL TYPES | | 19 | BEDNIX - BOSCH | 3482-G | | | | |
| | ALL TYPES | 01-07→ | 41 | LUCAS | 4289-G | 10610 | P-415101 | 1 | 51 |
| | | | | | | 11696 | K-415101 | 1 | 51 |
| | ALL TYPES | 01-07→ | 8 | LUCAS | 30004-G | | | | |
| | JTD - 2.0 (PLASTIC BODY) | 01-99→ | 19 | FAG | 4849-G | | | | |
| | ALL TYPES | 01-00→ | 23,8 | FAG | 4841-G | | | | |

SEDICI

| | | | | | | | | | |
|--|-----------|--------|-----|-------|----------------|-------|----------|---|------|
| | ALL TYPES | 06-06→ | 57 | LUCAS | 6063-G | 10938 | P-575401 | 1 | 54,8 |
| | ALL TYPES | 06-06→ | 8,4 | LUCAS | 30046-G | | | | |

SEICENTO

| | | | | | | | | | |
|--|-----------|--------|----|----------------|----------------|-------|----------|---|----|
| | ALL TYPES | | 19 | BEDNIX - BOSCH | 3582-G | | | | |
| | 0.9 - 1.1 | 01-98→ | 48 | BEDNIX - BOSCH | 4288-G | 10543 | P-484701 | 1 | 47 |
| | 0.9 - 1.1 | 01-98→ | 48 | BEDNIX - BOSCH | 4300-G | | | | |
| | ELEKTRA | 01-99→ | 54 | LUCAS | 3220-G | 10567 | P-545103 | 1 | 51 |
| | 0.9 - 1.1 | 01-98→ | 16 | BEDNIX - BOSCH | 30112-G | | | | |
| | ALL TYPES | | 19 | AP LOCKHEED | 4244-G | | | | |



Master Cylinder



Front Caliper



Front Wheel Cylinder



Clutch Master Cylinder



Front Caliper Guides



Pressure Regulating Valve



Rear Caliper



Rear Wheel Cylinder



Clutch Slave Cylinder



Rear Caliper Guides

Ø
(mm.)

VERSION



FIAT

9 of 11

STILO

| | | | | | | | | | |
|--|-----------------|--------|------|----------------|----------------|-------|------------|---|------|
| | ALL TYPES | 01-01→ | 22,2 | BOSCH | 4678-G | | | | |
| | ALL TYPES (EPS) | 01-01→ | 23,8 | BEDNIX - BOSCH | 4681-G | | | | |
| | ALL TYPES | 10-01→ | 54 | BOSCH | 4632-G | 10911 | P-545102 | 1 | 51,5 |
| | 2.4 - 1.9 JTD | 10-01→ | 57 | BOSCH | 4643-G | 10948 | P-575101 | 1 | 51,7 |
| | ALL TYPES | 10-01→ | 10 | BOSCH | 30014-G | | | | |
| | ALL TYPES | 10-01→ | 38 | BOSCH | 4661-G | 10686 | P-384702 | 1 | 47 |
| | | | | | | 11654 | K-384702 | 1 | 47 |
| | ALL TYPES | 10-01→ | 38 | BOSCH | 4858-G | 10631 | P-384901 | 1 | 49 |
| | | | | | | 11617 | K-384901-R | 1 | 49 |
| | | | | | | 11616 | K-384901-L | 1 | 49 |
| | ALL TYPES | 10-01→ | 38 | BOSCH | 4990-G | | | | |
| | ALL TYPES | 10-01→ | 38 | BOSCH | 6030-G | | | | |
| | ALL TYPES | 10-01→ | 10 | BOSCH | 30057-G | | | | |
| | ALL TYPES | | 20,6 | VALEO | 4867-G | | | | |

STRADA

| | | | | | | | | | |
|--|-----------|--------|------|----------------|---------------|--|--|--|--|
| | ALL TYPES | 06-99→ | 22,2 | BEDNIX - BOSCH | 4930-G | | | | |
| | ALL TYPES | 01-99→ | 19 | BEDNIX - BOSCH | 3482-G | | | | |

TALENTO

| | | | | | | | | | |
|--|-----------|-------------|------|----------------|---------------|-------|----------|---|------|
| | I SERIES | 03-84→12-94 | 22,2 | BEDNIX - BOSCH | 3189-G | | | | |
| | ALL TYPES | 03-84→12-94 | 38 | LUCAS | 3181-G | 10739 | P-485302 | 1 | 53,6 |
| | | | | | | | P-385301 | 1 | 53,6 |
| | ALL TYPES | 01-89→ | 22,2 | LUCAS | 4159-G | | | | |

TEMPRA

| | | | | | | | | | |
|--|--|-------------|------|----------------|----------------|-------|----------|---|------|
| | ALL TYPES (-ABS) | 03-90→03-93 | 20,6 | BEDNIX - BOSCH | 3358-G | | | | |
| | ALL TYPES | 03-93→09-96 | 22,2 | BEDNIX - BOSCH | 3583-G | | | | |
| | D - TD (SW) | 03-90→03-93 | 48 | LUCAS | 3267-G | 10536 | P-485102 | 1 | 51 |
| | 1.4 - 1.6 - 2.0 (-ABS) | | | | | | P-485102 | 1 | 51 |
| | 1.4 - 1.6 - 2.0 ANTISKID - AUTOMATIC (ABS) | | | | | 10819 | P-484901 | 1 | 49,7 |
| | D SERIES - TD | | | | | | P-484901 | 1 | 49,7 |
| | ALL TYPES | 03-93→09-96 | 54 | LUCAS | 3220-G | 10567 | P-545103 | 1 | 51 |
| | ALL TYPES | →09-96 | 17,5 | BEDNIX - BOSCH | 3635-G | | | | |
| | ALL TYPES | →03-93 | 19 | BEDNIX - BOSCH | 3376-G | | | | |
| | ALL TYPES | 03-93→09-96 | 20,6 | BEDNIX - BOSCH | 3581-G | | | | |
| | ALL TYPES | 03-90→09-96 | 34 | BEDNIX - BOSCH | 3258-G | 11549 | P-344501 | 1 | 45,5 |
| | ALL TYPES | 03-90→09-96 | 34 | LUCAS | 3384-G | 10514 | P-334601 | 1 | 46,8 |
| | | | | | | 11562 | K-334601 | 1 | 46,8 |
| | ALL TYPES | 03-90→09-96 | 8 | LUCAS | 30001-G | | | | |



Master Cylinder



Front Caliper



Front Wheel Cylinder



Clutch Master Cylinder



Front Caliper Guides



Pressure Regulating Valve



Rear Caliper



Rear Wheel Cylinder



Clutch Slave Cylinder



Rear Caliper Guides

Ø
(mm.)

VERSION



FIAT

10 of 11

TIPO

| | | | | | | | | | |
|--|------------------------|-------------|------|----------------|----------------|-------|----------|---|------|
| | ALL TYPES (-ABS) | 01-88→03-93 | 20,6 | BEDNIX - BOSCH | 3358-G | | | | |
| | ALL TYPES | 01-93→09-95 | 22,2 | BEDNIX - BOSCH | 3583-G | | | | |
| | ALL TYPES | 01-88→03-93 | 48 | LUCAS | 3267-G | 10536 | P-485102 | 1 | 51 |
| | ALL TYPES ANTISKID | | | | | 10819 | P-484901 | 1 | 49,7 |
| | 1.8 - 1.9TD | | | | | | P-484901 | 1 | 49,7 |
| | DIESEL | 03-93→09-95 | 54 | LUCAS | 3220-G | 10570 | P-545301 | 1 | 53,7 |
| | ALL TYPES | | | | | 10567 | P-545103 | 1 | 51 |
| | 1.8 USA'83 - SPORT 16V | 01-88→03-93 | | | | | P-545103 | 1 | 51 |
| | 2.0 | 03-93→09-95 | 54 | LUCAS | 4982-G | 10918 | P-545301 | 1 | 53,7 |
| | ALL TYPES | 01-88→03-93 | 15,9 | BEDNIX - BOSCH | 3148-G | | | | |
| | ALL TYPES | →09-95 | 17,5 | BEDNIX - BOSCH | 3635-G | | | | |
| | ALL TYPES | →03-93 | 19 | BEDNIX - BOSCH | 3376-G | | | | |
| | ALL TYPES | 03-93→09-95 | 20,6 | BEDNIX - BOSCH | 3581-G | | | | |
| | ALL TYPES | 01-88→09-95 | 34 | LUCAS | 3384-G | 10514 | P-334601 | 1 | 46,8 |
| | | | | | | 11562 | K-334601 | 1 | 46,8 |
| | ALL TYPES | 01-88→09-95 | 8 | LUCAS | 30001-G | | | | |

ULYSSE

| | | | | | | | | | |
|--|--------------------------|-------------|------|----------------|----------------|-------|----------|---|------|
| | JTD | 01-02→ | 22,2 | BOSCH | 4678-G | | | | |
| | ALL TYPES | | 23,8 | BEDNIX - BOSCH | 3402-G | | | | |
| | 2.2 JTD | 08-07→ | 40 | LUCAS | 4755-G | 10608 | P-455301 | 1 | 53 |
| | | | | | | | P-405301 | 1 | 53 |
| | ALL TYPES | 06-94→08-02 | 57 | LUCAS | 3481-G | 10580 | P-575401 | 1 | 54,8 |
| | ALL TYPES | 06-94→08-02 | 57 | BEDNIX - BOSCH | 3586-G | 10583 | P-575101 | 1 | 51,7 |
| | ALL TYPES | 01-02→ | 60 | LUCAS | 4860-G | 10988 | P-605301 | 1 | 53 |
| | ALL TYPES (DISC 20,4MM) | 06-94→08-02 | 10 | LUCAS | 30041-G | | | | |
| | ALL TYPES | 01-02→06-11 | 10 | LUCAS | 30078-G | | | | |
| | ALL TYPES | 06-94→08-02 | 20 | BEDNIX - BOSCH | 30122-G | | | | |
| | ALL TYPES | | 19 | BEDNIX - BOSCH | 3482-G | | | | |
| | ALL TYPES | 06-94→08-02 | 36 | ATE | 3483-G | 10725 | P-364803 | 1 | 48 |
| | ALL TYPES | 01-02→ | 38 | LUCAS | 4442-G | 10520 | P-385101 | 1 | 51 |
| | | | | | | 11651 | K-385101 | 1 | 51 |
| | 220 | 06-94→ | 12 | ATE | 30023-G | | | | |
| | JTD - 2.0 (PLASTIC BODY) | 01-99→ | 19 | FAG | 4849-G | | | | |
| | 2.0 | 01-02→ | 19 | FAG | 4819-G | | | | |
| | ALL TYPES | 10-99→ | 23,8 | FAG | 4841-G | | | | |



Master Cylinder



Front Caliper



Front Wheel Cylinder



Clutch Master Cylinder



Front Caliper Guides



Pressure Regulating Valve



Rear Caliper



Rear Wheel Cylinder



Clutch Slave Cylinder



Rear Caliper Guides



∅
(mm.)

VERSION



FIAT

11 of 11

UNO

| | | | | | | | | | |
|--|---------------------|-------------|------|----------------|---------------|-------|----------|---|------|
| | ALL TYPES | 01-70→01-86 | 19 | FIAT | 3137-G | | | | |
| | ALL TYPES | 01-86→ | 19 | BEDNIX - BOSCH | 3188-G | | | | |
| | ALL TYPES | 01-83→01-86 | 19 | ATE | 3324-G | | | | |
| | ALL TYPES | 01-86→ | 20,6 | BEDNIX - BOSCH | 3325-G | | | | |
| | 1.6R MADE IN BRAZIL | 01-88→01-93 | 20,6 | ATE | 3658-G | | | | |
| | TURBO IE - D - TD | →01-86 | 22,2 | BEDNIX - BOSCH | 3189-G | | | | |
| | ALL TYPES | | 48 | BEDNIX - BOSCH | 2675-G | 10834 | P-485003 | 1 | 50 |
| | 45IE - 1.0 | 04-84→10-95 | 48 | ATE | 3079-G | | | | |
| | ALL TYPES | 08-85→ | 48 | LUCAS | 3267-G | 10536 | P-485102 | 1 | 51 |
| | ALL TYPES | 01-83→ | 19 | BEDNIX - BOSCH | 2605-G | | | | |
| | TURBO IE | | 30 | LUCAS | 3262-G | 11517 | P-304401 | 1 | 44,7 |

X 1-9

| | | | | | | | | | |
|--|-----------|-------------|----|----------------|---------------|-------|----------|---|----|
| | ALL TYPES | 01-70→01-79 | 19 | FIAT | 3137-G | | | | |
| | ALL TYPES | 01-79→ | 19 | ATE | 3324-G | | | | |
| | ALL TYPES | 01-79→ | 48 | BEDNIX - BOSCH | 2675-G | 10834 | P-485003 | 1 | 50 |
| | ALL TYPES | 01-72→01-79 | 48 | BEDNIX - BOSCH | 2679-G | 10836 | P-485003 | 1 | 50 |
| | ALL TYPES | | 34 | BEDNIX - BOSCH | 2684-G | 11556 | P-344001 | 1 | 40 |
| | ALL TYPES | | 19 | BEDNIX - BOSCH | 3199-G | | | | |
| | ALL TYPES | | 19 | BEDNIX - BOSCH | 2776-G | | | | |



Master Cylinder



Front Caliper



Front Wheel Cylinder



Clutch Master Cylinder



Front Caliper Guides



Pressure Regulating Valve



Rear Caliper



Rear Wheel Cylinder



Clutch Slave Cylinder



Rear Caliper Guides

Ø
(mm.)

VERSION

**FORD**

1 of 13

CAPRI

| | | | | | | | | | |
|--|----------------------------|-------------|-------|----------------------|---------------|-------|----------|---|----|
| | ALL TYPES (SIMPLE CIRCUIT) | 01-67→01-70 | 17,78 | GIRLING | 6093-G | | | | |
| | ALL TYPES (SIMPLE CIRCUIT) | 01-69→01-04 | 20,6 | LUCAS | 3062-G | | | | |
| | ALL TYPES | 01-74→01-85 | 20,6 | ATE - FAG | 3157-G | | | | |
| | ALL TYPES | 01-78→01-87 | 20,6 | LUCAS | 3960-G | | | | |
| | ALL TYPES | 01-74→01-78 | 20,6 | LUCAS | 4395-G | | | | |
| | 2.8i | 01-81→01-85 | 22,2 | ATE | 4108-G | | | | |
| | ALL TYPES | →01-70 | 48 | ATE | 4257-G | 10822 | P-483001 | 2 | 30 |
| | II - III SERIES | 01-74→04-87 | 54 | ATE - BENDIX - LUCAS | 3041-G | 10668 | P-542901 | 2 | 29 |
| | ALL TYPES | 01-70→ | 54 | ATE - LUCAS | 4337-G | 10926 | P-542901 | 2 | 29 |
| | ALL TYPES | 01-74→01-87 | 17,5 | LUCAS | 3072-G | | | | |
| | ALL TYPES | →01-74 | 17,5 | LUCAS | 3686-G | | | | |
| | ALL TYPES | 01-78→01-81 | 19 | LUCAS | 3128-G | | | | |
| | ALL TYPES | 01-74→ | 19 | LUCAS | 3687-G | | | | |
| | ALL TYPES | 01-81→01-87 | 20,6 | LUCAS | 3031-G | | | | |

CARGO

| | | | | | | | | | |
|--|------------------------------------|-------------|----|---------|---------------|-------|----------|---|------|
| | NEW CARGO 65 E12 - 75 E12 - 75 E14 | 10-91→ | 60 | GIRLING | 4310-G | 11461 | P-606301 | 2 | 63,3 |
| | ALL TYPES | 03-87→ | 68 | LUCAS | 4499-G | 11493 | P-686302 | 2 | 63,5 |
| | 600 - 700 - 800 SWB (2 PISTONS) | 05-81→01-96 | 58 | LUCAS | 4525-G | 11447 | P-586302 | 1 | 63,7 |
| | | | | | | | P-586301 | 1 | 63,7 |
| | NEW CARGO 65 E12 - 100 E18 | 10-91→ | 60 | GIRLING | 4310-G | 11459 | P-606302 | 1 | 63,3 |
| | | | | | | | P-606301 | 1 | 63,3 |
| | 600 - 700 - 800 SERIES | 05-81→01-96 | 68 | LUCAS | 4500-G | 11494 | P-686302 | 1 | 63,5 |
| | | | | | | | P-686301 | 1 | 63,5 |

C-MAX

| | | | | | | | | | |
|--|----------|-------------|------|-----|----------------|-------|----------|---|------|
| | I SERIES | 02-07→ | 23,8 | ATE | 4962-G | | | | |
| | I SERIES | 02-07→ | 57 | ATE | 4768-G | 10589 | P-575504 | 1 | 55,4 |
| | I SERIES | 02-07→10-10 | 12 | ATE | 30023-G | | | | |
| | I SERIES | 02-07→ | 38 | ATE | 4797-G | 10667 | P-384902 | 1 | 49,7 |
| | I SERIES | | | | | 11646 | K-384902 | 1 | 49,7 |
| | I SERIES | 02-07→10-10 | 12 | ATE | 30023-G | | | | |



Master Cylinder



Front Caliper



Front Wheel Cylinder



Clutch Master Cylinder



Front Caliper Guides



Pressure Regulating Valve



Rear Caliper



Rear Wheel Cylinder



Clutch Slave Cylinder



Rear Caliper Guides

Ø
(mm.)

VERSION

**FORD****2 of 13****CORTINA**

| | | | | | | | | | |
|--|----------------------------|-------------|------|----------------|---------------|-------|----------|---|----|
| | ALL TYPES (SIMPLE CIRCUIT) | | 15,9 | LUCAS | 2731-G | | | | |
| | ALL TYPES (-SERVO) | 01-70→01-76 | 19 | LUCAS | 4600-G | | | | |
| | ALL TYPES | 01-76→01-82 | 20,6 | ATE - FAG | 3157-G | | | | |
| | ALL TYPES | 01-76→01-82 | 20,6 | LUCAS | 3960-G | | | | |
| | ALL TYPES | 01-70→01-76 | 20,6 | LUCAS | 4395-G | | | | |
| | ALL TYPES | 00-71→ | 54 | GIRLING | 3041-G | 10668 | P-542901 | 2 | 29 |
| | 1.6GT | 01-70→ | 54 | ATE - LUCAS | 4337-G | 10926 | P-542901 | 2 | 29 |
| | GT-MK II | 09-65→01-71 | 54 | GIRLING | 4485-G | 10888 | P-542902 | 2 | 29 |
| | MK IV - MK V EXCEPT ESTATE | 01-76→01-82 | 17,5 | LUCAS | 3072-G | | | | |
| | MK III 1.6 GT - GLX - 2.0 | 01-70→01-76 | | | | | | | |
| | MK IV - MK V 1.3 ESTATE | 01-76→01-82 | 19 | LUCAS | 3128-G | | | | |
| | MK III 1.3 - 1.6 | 01-71→01-74 | | | | | | | |
| | MK I 1.2 - 1.5 | 01-62→01-66 | 19 | LUCAS | 3687-G | | | | |
| | MK IV - MK V EXCEPT ESTATE | 01-76→01-82 | 19 | BEDNIX - BOSCH | 4153-G | | | | |
| | MK III 1.3 - 1.6 | 01-74→01-76 | | | | | | | |
| | MK III 1.3 - 1.6 | 01-70→01-71 | 20,6 | LUCAS | 3031-G | | | | |
| | ALL TYPES | | 22,2 | LUCAS | 2705-G | | | | |

COUGAR

| | | | | | | | | | |
|--|-----------|-------------|------|----------------|----------------|-------|----------|---|------|
| | ALL TYPES | 01-98→01-01 | 25,4 | BOSCH | 3413-G | | | | |
| | ALL TYPES | 08-98→12-01 | 60 | ATE | 3438-G | 10976 | P-605501 | 1 | 55,5 |
| | ALL TYPES | 08-98→12-01 | 12 | ATE | 30023-G | | | | |
| | ALL TYPES | 08-98→12-01 | 36 | BEDNIX - BOSCH | 3541-G | 10519 | P-364802 | 1 | 48,5 |
| | ALL TYPES | 08-98→12-01 | 16 | BEDNIX - BOSCH | 30030-G | | | | |

COURIER

| | | | | | | | | | |
|--|---------------------------------------|-------------|------|----------------|---------------|--|--|--|--|
| | ALL TYPES | 01-94→ | 22,2 | LUCAS | 3411-G | | | | |
| | ALL TYPES | 01-96→ | 23,8 | LUCAS | 4795-G | | | | |
| | ALL TYPES | 01-94→ | 54 | ATE | 3073-G | | | | |
| | ALL TYPES | 01-77→ | 54 | AKEBONO | 3577-G | | | | |
| | 1600 - 2000 - DIESEL | 01-82→01-84 | 54 | AKEBONO | 3714-G | | | | |
| | 1600 - 2000 - DIESEL | 01-82→01-84 | 54 | AKEBONO | 4274-G | | | | |
| | 1600 - 2000 - DIESEL (FOR TWO WHEELS) | 01-82→01-84 | 54 | AKEBONO | 4419-G | | | | |
| | ALL TYPES | 01-79→01-84 | 20,6 | | 4421-G | | | | |
| | ALL TYPES | | 22,2 | BEDNIX - BOSCH | 3410-G | | | | |
| | ALL TYPES | 01-79→01-84 | 15,9 | | 3739-G | | | | |
| | ALL TYPES | 01-79→01-84 | 19 | | 3807-G | | | | |

D SERIES

| | | | | | | | | | |
|--|---------------------------------|-------------|-------|--|---------------|--|--|--|--|
| | 360 CI (D800 - 850) | 01-73→12-81 | 44,45 | | 6025-G | | | | |
| | 380 CI (D500 - 600 - 780 - 785) | 04-69→12-81 | | | | | | | |

ECONOVAN

| | | | | | | | | | |
|--|-----------|-------------|------|----------|---------------|-------|----------|---|----|
| | ALL TYPES | 01-81→01-84 | 27 | | 4812-G | | | | |
| | ALL TYPES | 03-86→ | 60 | SUMITOMO | 4506-G | 10984 | P-604602 | 1 | 46 |
| | 2.2 D | 01-81→01-84 | 15,9 | | 3774-G | | | | |
| | 2.2 D | 01-81→01-84 | 19 | | 3807-G | | | | |



Master Cylinder



Front Caliper



Front Wheel Cylinder



Clutch Master Cylinder



Front Caliper Guides



Pressure Regulating Valve



Rear Caliper



Rear Wheel Cylinder



Clutch Slave Cylinder



Rear Caliper Guides

Ø
(mm.)

VERSION



FORD

3 of 13

ESCORT - ORION

| | | | | | | | | | |
|--|---|-------------|------|----------------------|----------------|-------|----------|---|------|
| | 940 - 1.1 - 1.3 (SIMPLE CIRCUIT) | 01-68→01-72 | 15,9 | LUCAS | 4407-G | | | | |
| | MODEL 81 (-SERVO) | | 19 | BEDNIX - BOSCH | 3089-G | | | | |
| | ESCORT (SERVO) | 01-75→01-80 | 19 | ATE | 3373-G | | | | |
| | ALL TYPES | 01-70→01-78 | 19 | LUCAS | 4392-G | | | | |
| | ESCORT 940 - 1.1 - 1.3 | 01-73→ | 19 | LUCAS | 4600-G | | | | |
| | ESCORT (SERVO) | 10-67→04-70 | 19 | LUCAS | 4998-G | | | | |
| | II SERIES ESCORT (-SERVO) | 03-77→08-80 | 19 | LUCAS | 6000-G | | | | |
| | ESCORT 940 - 1.1 - 1.3 | 01-70→ | 20,6 | ATE - FAG | 3157-G | | | | |
| | ALL TYPES | 01-78→01-80 | 20,6 | LUCAS | 3960-G | | | | |
| | ESCORT | 01-75→01-78 | 20,6 | LUCAS | 4395-G | | | | |
| | MODEL 81 (SERVO) | | 22,2 | BEDNIX - BOSCH | 3104-G | | | | |
| | EXCEPT 1.6 i 16V ZETEC | 01-90→ | 23,8 | BEDNIX - BOSCH | 3402-G | | | | |
| | 1.6i 16V ZETEC | 01-90→ | 23,8 | BEDNIX - BOSCH | 6202-G | | | | |
| | VII SERIES | 01-95→ | 25,4 | BEDNIX - BOSCH | 3413-G | | | | |
| | ESCORT RS TURBO | 01-86→ | 25,4 | BEDNIX - BOSCH | 6023-G | | | | |
| | ESCORT 940 - 1.1 - 1.3 | | 19 | | 3638-G | | | | |
| | ESCORT | 01-68→01-75 | 48 | ATE - LUCAS | 2643-G | 10615 | P-482901 | 2 | 29 |
| | ESCORT 940 - 1.1 - 1.3 | 01-68→01-72 | 48 | ATE | 4257-G | 10822 | P-483001 | 2 | 30 |
| | II SERIES ESCORT | 01-75→08-80 | 54 | ATE - BENDIX - LUCAS | 3041-G | 10668 | P-542901 | 2 | 29 |
| | III - IV SERIES | 09-80→07-90 | 54 | ATE | 3073-G | 10566 | P-545101 | 1 | 51 |
| | ALL TYPES | 09-90→ | 54 | BEDNIX - BOSCH | 4655-G | 10577 | P-545102 | 1 | 51,5 |
| | COSWORTH ENGINE | 02-92→ | 60 | ATE | 3133-G | 10973 | P-605502 | 1 | 55,5 |
| | V SERIES (GAL) XR3i - RS2000 | 05-91→12-92 | | | | 10957 | P-605201 | 1 | 52 |
| | RS TURBO | 03-85→08-90 | | | | | P-605201 | 1 | 52 |
| | ESCORT '81; EXPRESS - III - IV - V - VI; Orion I - II - III | 09-80→ | 12 | ATE | 30023-G | | | | |
| | ALL TYPES | 09-90→ | 15 | BEDNIX - BOSCH | 30029-G | | | | |
| | ALL TYPES | 01-82→01-85 | 17,5 | LUCAS | 3072-G | | | | |
| | ALL TYPES | 01-81→01-94 | 19 | LUCAS | 3071-G | | | | |
| | ESCORT 940 - 1.1 - 1.3 - GT | 01-68→01-80 | 19 | LUCAS | 3687-G | | | | |
| | ALL TYPES | | 20,6 | LUCAS | 3031-G | | | | |
| | ALL TYPES | 01-86→01-94 | 22,2 | LUCAS | 3063-G | | | | |
| | ALL TYPES | 01-94→ | 22,2 | BEDNIX - BOSCH | 3410-G | | | | |
| | ESCORT & PLUS SERIES | | 22,2 | LUCAS | 4422-G | | | | |
| | ESCORT 1.3 - 1.6 FWD (SOUTH AFRICA) | 01-81→ | 22,2 | | 6349-G | | | | |
| | ALL TYPES (ABS) | 01-90→ | 33 | ATE | 4282-G | 11536 | P-332801 | 2 | 28,2 |
| | ESCORT COSWORTH | 01-92→ | 43 | LUCAS | 3439-G | 10527 | P-424601 | 1 | 46,8 |
| | | | | | | 11745 | K-424601 | 1 | 46,8 |
| | ESCORT COSWORTH | 01-92→ | 43 | LUCAS | 6019-G | | | | |
| | VI COSWORTH - VII COSWORTH | 02-92→01-98 | 8 | LUCAS | 30003-G | | | | |

EXPLORER

| | | | | | | | | | |
|--|------------------------------|-------------|----|----------------|---------------|-------|----------|---|------|
| | UN - UP - US - EXPEDITION | 11-96→ | 46 | | 4642-G | 11783 | P-465102 | 2 | 51 |
| | XLS - XLT - RANGER - LIMITED | 03-95→04-03 | 46 | | 6281-G | | | | |
| | XLT | | 48 | BEDNIX - BOSCH | 4721-G | 11808 | P-484703 | 1 | 47,3 |



Master Cylinder



Front Caliper



Front Wheel Cylinder



Clutch Master Cylinder



Front Caliper Guides



Pressure Regulating Valve



Rear Caliper



Rear Wheel Cylinder



Clutch Slave Cylinder



Rear Caliper Guides



∅
(mm.)

VERSION



FORD

4 of 13

F250

| | | | | | |
|--|-----------|--------|----|--|--------|
| | ALL TYPES | | 45 | | 6279-G |
| | ALL TYPES | 01-01→ | 55 | | 6309-G |

F350

| | | | | | |
|--|-----------|--------|----|--|--------|
| | ALL TYPES | | 45 | | 6279-G |
| | ALL TYPES | 01-01→ | 55 | | 6309-G |

FAIRLANE

| | | | | | |
|--|------------------------|-------------|------|-------|--------|
| | ALL TYPES (FRONT DISC) | →01-76 | 25,4 | | 4560-G |
| | NA SERIES | | 60 | | 6329-G |
| | ALL TYPES | | 60 | | 6331-G |
| | ALL TYPES | | 60 | LUCAS | 6332-G |
| | NA SERIES | 03-88→01-86 | 44 | | 6274-G |
| | ZK - ZL | 01-82→03-88 | 44 | | 6377-G |

FALCON

| | | | | | |
|--|------------------------|-------------|------|---------|--------|
| | ALL TYPES (FRONT DISC) | →01-76 | 25,4 | | 4560-G |
| | E - XH SERIES | 03-88→02-97 | 60 | | 6329-G |
| | XE - XF - XG SERIES | 03-82→03-96 | 60 | GIRLING | 6330-G |
| | XB SERIES | 11-73→07-76 | 60 | GIRLING | 6332-G |
| | EA SERIES | 03-88→01-86 | 44 | | 6274-G |
| | XE - XF | 03-82→12-86 | 44 | | 6377-G |



Master Cylinder



Front Caliper



Front Wheel Cylinder



Clutch Master Cylinder



Front Caliper Guides



Pressure Regulating Valve



Rear Caliper



Rear Wheel Cylinder



Clutch Slave Cylinder



Rear Caliper Guides

Ø
(mm.)

VERSION



FORD

5 of 13

FIESTA

| | | | | | | | | | |
|--|---|-------------|------|----------------|----------------|-------|----------|---|------|
| | 950 - 1.1 (-SERVO) | 01-76→01-89 | 17,5 | | 3010-G | | | | |
| | 950 1.1-1.3 (SERVO) | 01-76→01-83 | 19 | LUCAS | 3011-G | | | | |
| | 950 - 1.0 - 1.3 | 01-76→ | 19 | BEDNIX - BOSCH | 3042-G | | | | |
| | (EXCEPT 16V) | 01-89→ | 20,6 | LUCAS | 3406-G | | | | |
| | ALL TYPES | 01-91→ | | | | | | | |
| | XR2 1.6 | 01-81→01-83 | 22,2 | BEDNIX - BOSCH | 3104-G | | | | |
| | 950 - 1.1 - 1.3 | 01-76→ | | | | | | | |
| | XR2 1.6 | 01-84→01-89 | 22,2 | LUCAS | 3105-G | | | | |
| | 1.6Xr2i - RS - TURBO - 1.8 D | 01-89→ | 22,2 | LUCAS | 3405-G | | | | |
| | 1.4 i - 1.6 S - 1.6 SPORT | | | | | | | | |
| | 1.6 - 16V | 01-94→ | 22,2 | LUCAS | 3411-G | | | | |
| | IV SERIES | →04-00 | 23,8 | LUCAS | 4795-G | | | | |
| | I SERIES | 05-76→11-86 | 48 | BEDNIX - BOSCH | 2675-G | 11796 | P-485005 | 1 | 50 |
| | ALL TYPES (SOFT CALIPER BOOT) | 01-83→ | 48 | ATE | 3130-G | 10535 | P-485101 | 1 | 51 |
| | IV - V SERIES (HARD BOOT) | 08-95→ | 48 | ATE | 4776-G | 10820 | P-485502 | 1 | 55,5 |
| | ALL TYPES | 01-83→ | 48 | ATE | 6173-G | | | | |
| | III - IV SERIES (SOFT CALIPER BOOT) | 03-89→04-02 | 54 | ATE | 3073-G | 10566 | P-545101 | 1 | 51 |
| | I - II SERIES 1.6 XR2 | 08-81→02-89 | | | | | P-545101 | 1 | 51 |
| | IV - V SERIES (HARD BOOT) | 08-95→ | 54 | ATE | 4318-G | 10890 | P-545502 | 1 | 55,5 |
| | IV - V SERIES | 08-95→ | 54 | ATE | 6033-G | | | | |
| | VI SERIES 1.2 - 1.4 - 1.6 | 10-03→ | 54 | TRW | 6303-G | 11402 | P-544901 | 1 | 49,8 |
| | VI SERIES | 10-03→ | 10 | TRW | 30129-G | | | | |
| | I - II - III - IV - V - SERIES KASTEN - VAN | 05-76→ | 12 | ATE | 30023-G | | | | |
| | I SERIES | 05-76→11-86 | 15 | BEDNIX - BOSCH | 30029-G | | | | |
| | 950 - 1.1 - 1.3 | 01-76→01-84 | 15,9 | BEDNIX - BOSCH | 3013-G | | | | |
| | 1.6D | 01-84→01-89 | 15,9 | BEDNIX - BOSCH | 3148-G | | | | |
| | 1.1 - 1.3 | 05-76→08-83 | 15,9 | LUCAS | 3407-G | | | | |
| | 1.1 - 1.3 (PRESSURE REDUCING VALVE) | 08-77→08-83 | 17,5 | BEDNIX - BOSCH | 3044-G | | | | |
| | 1.0 - 1.1 - 1.3 - 1.4 (SPAIN) | 09-83→ | | | | | | | |
| | 1.1 - 1.4 - 1.8 DIESEL (-ABS) | 01-89→01-95 | 17,5 | BEDNIX - BOSCH | 3408-G | | | | |
| | ALL TYPES | 01-95→ | 17,5 | LUCAS | 3591-G | | | | |
| | 1.2 16V | 01-95→ | 19 | LUCAS | 3071-G | | | | |
| | XR2 | 01-81→01-83 | 19 | BEDNIX - BOSCH | 3151-G | | | | |
| | 1.6 - 1.8 - 16V | 01-89→01-95 | 19 | BEDNIX - BOSCH | 3409-G | | | | |
| | XR2 | 01-84→01-89 | 20,6 | BEDNIX - BOSCH | 3150-G | | | | |
| | 1.4 - 1.6 - 1.8D - 1.6 XR2.i | 01-89→01-95 | 22,2 | BEDNIX - BOSCH | 3410-G | | | | |
| | 1.8D | 01-95→ | | | | | | | |
| | 2.0 ST150 | 03-05→ | 34 | LUCAS | 4695-G | 10516 | P-334601 | 1 | 46,8 |
| | | | | | | 11564 | K-334601 | 1 | 46,8 |
| | I - II - III - V SERIES KASTEN - VAN | 05-76→08-08 | 12 | ATE | 30023-G | | | | |



Master Cylinder



Front Caliper



Front Wheel Cylinder



Clutch Master Cylinder



Front Caliper Guides



Pressure Regulating Valve



Rear Caliper



Rear Wheel Cylinder



Clutch Slave Cylinder



Rear Caliper Guides



Ø
(mm.)

VERSION



FORD

6 of 13

FOCUS

| | | | | | | | | | |
|--|---------------------------------|-------------|------|----------------|----------------|-------|----------|---|------|
| | I SERIES (-ABS) | 10-98→11-04 | 23,8 | BEDNIX - BOSCH | 4340-G | | | | |
| | I SERIES | 10-98→11-04 | 54 | ATE | 4318-G | 10574 | P-545501 | 1 | 55,5 |
| | I SERIES | 10-98→11-04 | 54 | ATE | 6033-G | | | | |
| | II SERIES RS | 01-09→ | 54 | TRW | 6307-G | 11377 | P-545305 | 1 | 53,5 |
| | II SERIES (STEEL PISTON) | 11-04→ | 57 | ATE | 4768-G | 10589 | P-575504 | 1 | 55,4 |
| | II SERIES ST | 10-05→ | | | | 10932 | P-575503 | 1 | 55,5 |
| | I - II SERIES | 10-98→ | 12 | ATE | 30023-G | | | | |
| | II SERIES (2.5 RS - 2.5 RS 500) | 01-09→ | 14 | TRW | 30103-G | | | | |
| | II SERIES | 11-04→ | 20,6 | | 6122-G | | | | |
| | I SERIES | 10-98→ | 34 | LUCAS | 3384-G | 10514 | P-334601 | 1 | 46,8 |
| | | | | | | 11562 | K-334601 | 1 | 46,8 |
| | II SERIES RS | 01-09→ | 38 | LUCAS | 4442-G | 10520 | P-385101 | 1 | 51 |
| | | | | | | 11651 | K-385101 | 1 | 51 |
| | II SERIES | 11-04→ | 38 | ATE | 4797-G | 10667 | P-384902 | 1 | 49,7 |
| | | | | | | 11646 | K-384902 | 1 | 49,7 |
| | II SERIES | 11-04→ | 12 | ATE | 30023-G | | | | |

FOCUS C-MAX

| | | | | | | | | | |
|--|---------------|-------------|------|-------|----------------|-------|----------|---|------|
| | ALL TYPES | 10-03→03-07 | 23,8 | ATE | 4962-G | | | | |
| | ALL TYPES | 10-03→03-07 | 57 | ATE | 4768-G | 10589 | P-575504 | 1 | 55,4 |
| | ALL TYPES | 10-03→03-07 | 12 | ATE | 30023-G | | | | |
| | 1.6 - 1.6TDCi | 10-03→03-07 | 20,6 | LUCAS | 3031-G | | | | |
| | ALL TYPES | 10-03→03-07 | 38 | ATE | 4797-G | 10667 | P-384902 | 1 | 49,7 |
| | | | | | | 11646 | K-384902 | 1 | 49,7 |
| | ALL TYPES | 10-03→03-07 | 12 | ATE | 30023-G | | | | |

FUSION

| | | | | | | | | | |
|--|-----------|--------|----|-----|---------------|-------|----------|---|------|
| | ALL TYPES | 08-02→ | 54 | ATE | 4318-G | 10890 | P-545502 | 1 | 55,5 |
| | ALL TYPES | 08-02→ | 54 | ATE | 6033-G | | | | |



Master Cylinder



Front Caliper



Front Wheel Cylinder



Clutch Master Cylinder



Front Caliper Guides



Pressure Regulating Valve



Rear Caliper



Rear Wheel Cylinder



Clutch Slave Cylinder



Rear Caliper Guides

Ø
(mm.)

VERSION

**FORD**

7 of 13

GALAXY

| | | | | | | | | | |
|--|---------------------------------|-------------|------|-------|----------------|-------|----------|---|------|
| | ALL TYPES (ABS) | 01-95→ | 25,4 | ATE | 4686-G | | | | |
| | I SERIES | 11-95→03-06 | 57 | ATE | 3391-G | 10933 | P-575801 | 1 | 58,5 |
| | I SERIES 1.9 TDI PD (DISC 26MM) | 11-02→03-06 | 57 | ATE | 4757-G | 10934 | P-575801 | 1 | 58,5 |
| | I SERIES 2.8i (DISC 313MM) | 11-95→03-06 | 57 | ATE | 4767-G | 10590 | P-575504 | 1 | 55,4 |
| | I SERIES | 11-95→03-06 | 57 | ATE | 4983-G | | | | |
| | II SERIES | 04-06→ | 60 | ATE | 4565-G | 10963 | P-605502 | 1 | 55,5 |
| | I SERIES | 11-95→03-06 | 12 | ATE | 30023-G | | | | |
| | I SERIES 2.8i | 11-95→03-06 | 12 | ATE | 30095-G | | | | |
| | II SERIES | 04-06→ | 38 | LUCAS | 4442-G | 10520 | P-385101 | 1 | 51 |
| | I SERIES (DISC 13 - 5MM) | 11-95→03-06 | | | | | P-385101 | 1 | 51 |
| | II SERIES | 04-06→ | | | | 11651 | K-385101 | 1 | 51 |
| | I SERIES (DISC 13 - 5MM) | 11-95→03-06 | | | | | K-385101 | 1 | 51 |
| | I SERIES | 11-95→05-06 | 38 | LUCAS | 4770-G | 10523 | P-385101 | 1 | 51 |
| | | | | | | 11170 | K-385101 | 1 | 51 |
| | I SERIES | 11-95→03-06 | 38 | LUCAS | 4977-G | | | | |
| | II SERIES (ELECTRIC HANDBRAKE) | 04-06→ | 38 | TRW | 6188-G | 11629 | P-385202 | 1 | 52 |
| | I SERIES | 11-95→03-06 | 8 | LUCAS | 30004-G | | | | |
| | II SERIES | 04-06→ | 8,4 | LUCAS | 30046-G | | | | |
| | ALL TYPES | 11-95→ | 19 | FAG | 4141-G | | | | |

GRANADA - CONSUL

| | | | | | | | | | |
|--|---------------------------------|-------------|------|----------------|---------------|-------|----------|---|------|
| | 2.5V6 - 3.0 | 01-72→01-73 | 20,6 | ATE - FAG | 3157-G | | | | |
| | 1.7 - 2.1D | 01-77→01-82 | 20,6 | BEDNIX - BOSCH | 4109-G | | | | |
| | 2.0 V6 | 01-75→01-77 | 20,6 | LUCAS | 4395-G | | | | |
| | GRANADA | | 20,6 | BEDNIX - BOSCH | 4878-G | | | | |
| | ALL TYPES | 01-72→01-85 | 22,2 | ATE | 4108-G | | | | |
| | GRANADA 2.5V6 - 3.0 | 01-73→01-78 | 22,2 | LUCAS | 4614-G | | | | |
| | ALL TYPES | 01-86→ | 23,8 | ATE | 3922-G | | | | |
| | ALL TYPES | 01-81→01-85 | 23,8 | ATE | 3957-G | | | | |
| | ALL TYPES | 01-81→ | 22,2 | LUCAS | 3063-G | | | | |
| | MK II | 01-77→01-85 | 54 | ATE - LUCAS | 4337-G | 10926 | P-542901 | 2 | 29 |
| | MK III 1.8 - 2.0 - 2.4 i - 2.5D | 01-86→01-92 | 60 | ATE | 3133-G | | | | |
| | ALL TYPES | →01-81 | 19 | LUCAS | 3128-G | | | | |
| | ALL TYPES | →01-81 | 20,6 | LUCAS | 3031-G | | | | |
| | GU 2.5D | 08-77→08-85 | 43 | LUCAS | 3439-G | 10527 | P-424601 | 1 | 46,8 |
| | | | | | | 11745 | K-424601 | 1 | 46,8 |

KA

| | | | | | | | | | |
|--|-----------------------|--------|------|----------------|----------------|-------|----------|---|------|
| | ALL TYPES (-ABS) | 01-96→ | 20,6 | | 3555-G | | | | |
| | ALL TYPES (SOFT BOOT) | 01-96→ | 48 | ATE | 3130-G | 10535 | P-485101 | 1 | 51 |
| | 1.2 | 10-08→ | 48 | BEDNIX - BOSCH | 4288-G | 10543 | P-484701 | 1 | 47 |
| | ALL TYPES (HARD BOOT) | 02-00→ | 48 | ATE | 4776-G | 10820 | P-485502 | 1 | 55,5 |
| | ALL TYPES | 01-96→ | 48 | ATE | 6173-G | | | | |
| | 1.3 TDCi | 10-08→ | 48 | BOSCH | 6289-G | 11315 | P-485001 | 1 | 50 |
| | 1.6i - STREET KA 1.6 | 01-03→ | 54 | ATE | 4318-G | 10890 | P-545502 | 1 | 55,5 |
| | STREET MODEL 1.6 | 01-03→ | 54 | ATE | 6033-G | | | | |
| | I SERIES | 01-96→ | 12 | ATE | 30023-G | | | | |
| | ALL TYPES | 01-96→ | 17,5 | LUCAS | 3591-G | | | | |



Master Cylinder



Front Caliper



Front Wheel Cylinder



Clutch Master Cylinder



Front Caliper Guides



Pressure Regulating Valve



Rear Caliper



Rear Wheel Cylinder



Clutch Slave Cylinder



Rear Caliper Guides



∅
(mm.)

VERSION



FORD

8 of 13

KUGA

| | | | | | | | | | |
|--|---------------|--------|-----|-------|----------------|-------|----------|---|------|
| | I - II SERIES | 01-08→ | 57 | ATE | 4768-G | 10589 | P-575504 | 1 | 55,4 |
| | I SERIES | 01-08→ | 38 | LUCAS | 4442-G | 10520 | P-385101 | 1 | 51 |
| | I SERIES | 01-08→ | 8,4 | LUCAS | 30046-G | 11651 | K-385101 | 1 | 51 |

LANDAU

| | | | | | | | | | |
|--|-----------|-------------|------|--|---------------|--|--|--|--|
| | ALL TYPES | 01-73→01-75 | 25,4 | | 4560-G | | | | |
| | 65J | 07-73→00-75 | 60 | | 6331-G | | | | |

LASER

| | | | | | | | | | |
|--|-----------|--------|------|--------|---------------|--|--|--|--|
| | ALL TYPES | 01-98→ | 22,2 | | 4607-G | | | | |
| | ALL TYPES | 01-98→ | 22,2 | SEIKEN | 4790-G | | | | |

LTD

| | | | | | | | | | |
|--|---------------------|-------------|------|--|---------------|--|--|--|--|
| | 54 J | →01-76 | 25,4 | | 4560-G | | | | |
| | DA SERIES | 03-88→01-89 | 60 | | 6329-G | | | | |
| | 54 J - FC - FD - FE | 07-73→03-88 | 60 | | 6331-G | | | | |
| | DA SERIES | 03-88→01-86 | 44 | | 6274-G | | | | |
| | FD - FE | 01-82→03-88 | 44 | | 6377-G | | | | |

MAVERICK

| | | | | | | | | | |
|--|--------------------------|-------------|------|---------|---------------|-------|----------|---|------|
| | ALL TYPES (COMPACT TYPE) | 01-93→01-96 | 23,8 | LUCAS | 3328-G | | | | |
| | 2.7 TD | 02-93→04-98 | 43 | LUCAS | 4944-G | 10790 | P-424801 | 2 | 48,9 |
| | III SERIES | 01-01→ | 60 | ATE | 6039-G | 10958 | P-605602 | 1 | 56 |
| | ALL TYPES | 01-93→ | 22,2 | LUCAS | 3186-G | | | | |
| | ALL TYPES | 01-93→ | 23,8 | LUCAS | 3610-G | | | | |
| | ALL TYPES | 02-01→ | 40 | ATE | 4510-G | 11674 | P-405501 | 1 | 55 |
| | 2.7 TD | 01-93→01-98 | 43 | AKEBONO | 4357-G | 10692 | P-434801 | 1 | 48 |



Master Cylinder



Front Caliper



Front Wheel Cylinder



Clutch Master Cylinder



Front Caliper Guides



Pressure Regulating Valve



Rear Caliper



Rear Wheel Cylinder



Clutch Slave Cylinder



Rear Caliper Guides

Ø
(mm.)

VERSION

**FORD**

9 of 13

MONDEO

| | | | | | | | | | |
|--|--|-------------|------|----------------|----------------|-------|------------|---|------|
| | ALL TYPES (ABS) | 11-00→ | 23,8 | BENDIX - BOSCH | 4681-G | | | | |
| | ALL TYPES | 01-96→11-00 | 25,4 | BEDNIX - BOSCH | 3413-G | | | | |
| | ALL TYPES (-ABS) | 02-93→01-96 | 25,4 | ATE | 4119-G | | | | |
| | III SERIES | 11-00→ | 57 | BOSCH | 4643-G | 10949 | P-575304 | 1 | 53,6 |
| | I - II SERIES 2.0 - 2.5 (SOFT BOOT) | 02-93→11-00 | 60 | ATE | 3133-G | 10973 | P-605502 | 1 | 55,5 |
| | I - II SERIES (EXCEPT 2.0 - 2.5) (SOFT BOOT) | 02-93→11-00 | 60 | ATE | 3438-G | 10960 | P-605502 | 1 | 55,5 |
| | IV SERIES (HARD BOOT) | 08-07→ | 60 | ATE | 4565-G | 10963 | P-605502 | 1 | 55,5 |
| | III SERIES | 11-00→ | 10 | BOSCH | 30014-G | | | | |
| | I - II - IV SERIES | 02-93→ | 12 | ATE | 30023-G | | | | |
| | I - II SERIES (RANCHERA) | 02-93→ | 15 | ATE | 30029-G | | | | |
| | ALL TYPES | 02-93→ | 20,6 | LUCAS | 3031-G | | | | |
| | BREAK | 02-93→ | 22,2 | LUCAS | 3063-G | | | | |
| | I - II SERIES | →11-00 | 36 | BEDNIX - BOSCH | 3541-G | 10519 | P-364802 | 1 | 48,5 |
| | IV SERIES | 03-07→ | 38 | LUCAS | 4442-G | 10520 | P-385101 | 1 | 51 |
| | | | | | | 11651 | K-385101 | 1 | 51 |
| | III SERIES | →08-04 | 38 | BOSCH | 4661-G | 10635 | P-385102 | 1 | 51 |
| | | 09-04→ | | | | 10685 | P-384901 | 1 | 49 |
| | | →08-04 | | | | 11621 | K-385102-R | 1 | 51 |
| | | | | | | 11620 | K-385102-L | 1 | 51 |
| | | 09-04→ | | | | 11619 | K-384901-R | 1 | 49 |
| | | | | | | 11618 | K-384901-L | 1 | 49 |
| | III SERIES | 09-04→ | 38 | BOSCH | 4858-G | 10631 | P-384901 | 1 | 49 |
| | | | | | | 11617 | K-384901-R | 1 | 49 |
| | | | | | | 11616 | K-384901-L | 1 | 49 |
| | III SERIES | 09-04→ | 38 | BOSCH | 4990-G | | | | |
| | III SERIES | 09-04→ | 38 | BOSCH | 6030-G | | | | |
| | IV SERIES | 03-07→ | 8,4 | LUCAS | 30046-G | | | | |
| | IV SERIES | 03-07→ | 12 | ATE | 30023-G | | | | |
| | I - II SERIES | →11-00 | 16 | BEDNIX - BOSCH | 30030-G | | | | |

P100

| | | | | | | | | | |
|--|-----------------------|-------------|----|----------------------|---------------|-------|----------|---|----|
| | 1.6 | 08-82→08-86 | 54 | ATE - BENDIX - LUCAS | 3041-G | 10668 | P-542901 | 2 | 29 |
| | ALL TYPES (SOFT BOOT) | 01-86→ | 54 | ATE | 3073-G | 10566 | P-545101 | 1 | 51 |
| | ALL TYPES | 01-82→01-86 | 54 | ATE - LUCAS | 4337-G | | | | |

PROBE

| | | | | | | | | | |
|--|---------------------|-------------|----|-----------|----------------|-------|----------|---|------|
| | I SERIES 2.2 GT | 08-88→07-93 | 54 | AKEBONO | 3824-G | 11400 | P-544502 | 1 | 45,5 |
| | II SERIES | 10-93→03-98 | 57 | SHINTEC | 3842-G | | | | |
| | II SERIES | 10-93→03-98 | 57 | SHINTEC | 4852-G | 10632 | P-574601 | 1 | 46,5 |
| | II SERIES (USA) | 10-93→03-98 | 14 | SHINTEC | 30028-G | | | | |
| | I SERIES 2.2 GT | 08-88→07-93 | 15 | AKEBONO | 30132-G | | | | |
| | II SERIES 2.0 - 2.5 | 10-93→03-98 | 30 | NISSHINBO | 3825-G | 10600 | P-304501 | 1 | 45,5 |
| | | | | | | 11519 | K-304501 | 1 | 45,5 |
| | I SERIES 2.2 GT | 08-88→07-93 | 30 | AKEBONO | 4277-G | 10636 | P-304101 | 1 | 41,6 |
| | | | | | | 11510 | K-304101 | 1 | 41,6 |
| | II SERIES | 10-93→03-98 | 12 | NISSHINBO | 30024-G | | | | |
| | I SERIES (USA) | 08-88→07-93 | 13 | AKEBONO | 30027-G | | | | |



Master Cylinder



Front Caliper



Front Wheel Cylinder



Clutch Master Cylinder



Front Caliper Guides



Pressure Regulating Valve



Rear Caliper



Rear Wheel Cylinder



Clutch Slave Cylinder



Rear Caliper Guides

Ø
(mm.)

VERSION

**FORD**

10 of 13

PUMA

| | | | | | | | | | |
|--|-----------------------|-------------|------|-------|----------------|-------|----------|---|------|
| | ALL TYPES | 01-97→ | 23,8 | LUCAS | 4795-G | | | | |
| | ALL TYPES (SOFT BOOT) | 01-98→ | 54 | ATE | 3073-G | 10566 | P-545101 | 1 | 51 |
| | ALL TYPES (HARD BOOT) | 01-97→ | 54 | ATE | 4318-G | 10890 | P-545502 | 1 | 55,5 |
| | ALL TYPES | 01-97→ | 54 | ATE | 6033-G | | | | |
| | ALL TYPES | 02-97→12-01 | 12 | ATE | 30023-G | | | | |
| | 1.4 - 1.6 - 1.7 | 03-97→10-00 | 19 | LUCAS | 3128-G | | | | |

RANGER

| | | | | | | | | | |
|--|--------------|--------|----|--------|---------------|-------|----------|---|------|
| | ALL TYPES | 10-05→ | 43 | TOKICO | 3900-G | 10781 | P-434802 | 2 | 48 |
| | 2.5D - 2.5TD | 10-99→ | 60 | PBR | 6022-G | 10968 | P-604805 | 1 | 48,3 |

SCORPIO

| | | | | | | | | | |
|--|-----------------------------|-------------|------|-------|----------------|-------|----------|---|------|
| | ALL TYPES | 01-86→01-92 | 25,4 | ATE | 3414-G | | | | |
| | II SERIES (GHIA COSWORTH) | 01-92→ | 60 | ATE | 3133-G | 10973 | P-605502 | 1 | 55,5 |
| | II SERIES (COSWORTH 4x4) | | | | | 10957 | P-605201 | 1 | 52 |
| | I SERIES | 03-85→08-92 | | | | 11449 | P-605102 | 1 | 51 |
| | II SERIES (EXCEPT COSWORTH) | 02-92→08-98 | 60 | ATE | 3438-G | 10976 | P-605501 | 1 | 55,5 |
| | I - II SERIES | 03-85→ | 12 | ATE | 30023-G | | | | |
| | I - II SERIES | 01-85→01-99 | 43 | LUCAS | 3439-G | 10527 | P-424601 | 1 | 46,8 |
| | | | | | | 11745 | K-424601 | 1 | 46,8 |
| | ALL TYPES | 01-85→01-99 | 43 | LUCAS | 6019-G | | | | |
| | ALL TYPES | 01-85→01-99 | 8 | LUCAS | 30003-G | | | | |

SIERRA

| | | | | | | | | | |
|--|-----------------------------|-------------|------|----------------|----------------|-------|----------|---|------|
| | ALL TYPES | 01-82→01-88 | 22,2 | LUCAS | 3105-G | | | | |
| | ALL TYPES | 01-88→ | 22,2 | LUCAS | 3707-G | | | | |
| | ALL TYPES | →01-88 | 22,2 | BEDNIX - BOSCH | 4986-G | | | | |
| | 2.8 V6 - P100 PICK-UP | 01-83→01-87 | 23,8 | BEDNIX - BOSCH | 3415-G | | | | |
| | ALL TYPES | 01-87→01-93 | 25,4 | ATE | 3414-G | | | | |
| | COSWORTH ENGINE (4 PISTONS) | →01-90 | 40 | ATE | 3396-G | | | | |
| | ALL TYPES | 01-82→ | 54 | ATE | 3073-G | 10566 | P-545101 | 1 | 51 |
| | BREAK 1.6 | 01-82→01-87 | 54 | LUCAS | 3220-G | 10563 | P-544901 | 1 | 49,8 |
| | ALL TYPES (ABS) | 01-90→01-93 | 60 | ATE | 3133-G | 10957 | P-605201 | 1 | 52 |
| | COSWORTH 4x4 | 01-90→ | 60 | ATE | 3438-G | 10979 | P-605201 | 1 | 52 |
| | ALL TYPES | 08-82→02-93 | 8 | LUCAS | 30003-G | | | | |
| | GBC SERIES | 10-84→02-87 | 8,5 | GIRLING | 30049-G | | | | |
| | ALL TYPES | 01-82→ | 12 | ATE | 30023-G | | | | |
| | ALL TYPES | 01-87→01-93 | 20,6 | LUCAS | 3031-G | | | | |
| | ALL TYPES | 01-82→01-87 | 20,6 | BEDNIX - BOSCH | 3417-G | | | | |
| | 1.8 - 2.0 - 2.3 | 01-87→ | 22,2 | LUCAS | 3063-G | | | | |
| | ALL TYPES | 01-87→01-93 | | | | | | | |
| | ALL TYPES | 01-87→01-93 | 22,2 | BEDNIX - BOSCH | 3418-G | | | | |
| | P100 PICK-UP | | 23,8 | AP LOCKHEED | 10203-G | | | | |
| | ALL TYPES | →01-94 | 43 | LUCAS | 3439-G | 10527 | P-424601 | 1 | 46,8 |
| | | | | | | 11745 | K-424601 | 1 | 46,8 |
| | ALL TYPES | →01-94 | 43 | LUCAS | 6019-G | | | | |



Master Cylinder



Front Caliper



Front Wheel Cylinder



Clutch Master Cylinder



Front Caliper Guides



Pressure Regulating Valve



Rear Caliper



Rear Wheel Cylinder



Clutch Slave Cylinder



Rear Caliper Guides

Ø
(mm.)

VERSION

**FORD**

11 of 13

S-MAX

| | | | | | | | | | |
|--|--------------------------------|--------|-----|-------|----------------|-------|----------|---|------|
| | ALL TYPES | 05-06→ | 60 | ATE | 4565-G | 10963 | P-605502 | 1 | 55,5 |
| | ALL TYPES | 05-06→ | 12 | ATE | 30023-G | 10969 | P-605501 | 1 | 55,5 |
| | ALL TYPES | 05-06→ | 38 | LUCAS | 4442-G | 10520 | P-385101 | 1 | 51 |
| | ALL TYPES (ELECTRIC HANDBRAKE) | 03-06→ | 38 | TRW | 6188-G | 11651 | K-385101 | 1 | 51 |
| | ALL TYPES | 05-06→ | 8,4 | LUCAS | 30046-G | 11629 | P-385202 | 1 | 52 |

TAUNUS

| | | | | | | | | | |
|--|--------------------------|-------------|------|----------------|---------------|-------|----------|---|----|
| | 17M (-SERVO) | →08-67 | 17,5 | ATE | 4339-G | | | | |
| | ALL TYPES (-SERVO) | 07-70→09-77 | 19 | ATE | 4338-G | | | | |
| | 12M (P4) | 07-62→04-67 | 19 | ATE | 4995-G | | | | |
| | P6 SERIES | 06-66→05-70 | 19 | ATE | 6360-G | | | | |
| | P6 SERIES | 09-61→05-70 | 19 | FAG | 6361-G | | | | |
| | ALL TYPES | | 20,6 | ATE - FAG | 3157-G | | | | |
| | ALL TYPES | 01-79→01-82 | 20,6 | LUCAS | 3960-G | | | | |
| | ALL TYPES | 01-79→01-82 | 20,6 | BEDNIX - BOSCH | 4109-G | | | | |
| | G13AL | 01-60→01-62 | 22,2 | | 4999-G | | | | |
| | P6 12M TOURNIER | 01-66→ | 48 | ATE - LUCAS | 2643-G | 10615 | P-482901 | 2 | 29 |
| | ALL TYPES | | 54 | ATE - LUCAS | 4337-G | 10926 | P-542901 | 2 | 29 |
| | 1.6 GT - GLX - 2.0 - 2.3 | 01-70→01-82 | 17,5 | LUCAS | 3072-G | | | | |
| | 1.3 - 1.6 | 01-71→01-74 | 19 | LUCAS | 3128-G | | | | |
| | 1.3 STATE | 01-76→01-82 | | | | | | | |
| | 1.3 - 1.6 | 01-74→01-82 | 19 | BEDNIX - BOSCH | 4153-G | | | | |
| | 1.3 - 1.6 | 01-74→01-76 | 20,6 | LUCAS | 3031-G | | | | |

TELSTAR

| | | | | | | | | | |
|--|----------------|-------------|----|--|---------------|--|--|--|--|
| | AR - AS SERIES | 05-83→01-87 | 54 | | 6301-G | | | | |
|--|----------------|-------------|----|--|---------------|--|--|--|--|

TERRITORY

| | | | | | | | | | |
|--|----------------|--------|----|--|---------------|-------|----------|---|------|
| | TX - TS - GHIA | 01-04→ | 42 | | 6255-G | 11708 | P-424401 | 2 | 44,6 |
|--|----------------|--------|----|--|---------------|-------|----------|---|------|

TOURNEO

| | | | | | | | | | |
|--|-------------|--------|------|-----|----------------|-------|----------|---|------|
| | CONNECT | 06-02→ | 54 | ATE | 4318-G | 10574 | P-545501 | 1 | 55,5 |
| | CONNECT | 06-02→ | 54 | ATE | 6033-G | | | | |
| | ALL TYPES | 06-02→ | 12 | ATE | 30023-G | | | | |
| | CONNECT | 06-02→ | 20,6 | | 6122-G | | | | |
| | CONNECT 1.8 | 06-02→ | 36 | ATE | 4825-G | 11597 | P-365001 | 1 | 50 |
| | ALL TYPES | 06-02→ | 12 | ATE | 30023-G | 11603 | K-365001 | 1 | 50 |



Master Cylinder



Front Caliper



Front Wheel Cylinder



Clutch Master Cylinder



Front Caliper Guides



Pressure Regulating Valve



Rear Caliper



Rear Wheel Cylinder



Clutch Slave Cylinder



Rear Caliper Guides

Ø
(mm.)

VERSION

**FORD****12 of 13****TRADER**

| | | | | | |
|--|---|-------------|------|--|---------------|
| | II SERIES | 01-81→01-84 | 25,4 | | 4527-G |
| | 4.1D | 01-81→01-84 | 31,8 | | 4799-G |
| | II SERIES 3.0D (TWIN REAR WHEELS) | 01-81→01-84 | 28,6 | | 4221-G |
| | II SERIES (SINGLE REAR WHEEL) | 01-81→01-84 | 28,6 | | 4222-G |
| | II SERIES 4.1D (TWIN REAR WHEELS - RHD) | | | | |
| | II SERIES 3.0D (DUAL WHEELS) | 01-81→01-84 | 25,4 | | 4228-G |
| | ALL TYPES | 01-81→01-84 | 15,9 | | 3774-G |
| | II SERIES | 01-81→01-84 | 17,5 | | 4229-G |

TRANSIT (I SERIES) 65→78

| | | | | | |
|--|----------------------------------|-------------|------|-------------|---------------|
| | ALL TYPES | | 19 | ATE | 3952-G |
| | ALL TYPES | | 20,6 | AP LOCKHEED | 3954-G |
| | ALL TYPES EXCEPT D (-SERVO) | | 20,6 | ATE | 6001-G |
| | D (-SERVO) | | 20,6 | ATE | 6138-G |
| | 12 - 14 - 17 18 - 22 - 25 (DRUM) | | 20,6 | AP LOCKHEED | 3640-G |
| | ALL TYPES (DRUM) | 01-65→01-78 | 22,2 | AP LOCKHEED | 3641-G |
| | ALL TYPES | 01-65→01-78 | 15,9 | AP LOCKHEED | 3195-G |

TRANSIT (II SERIES) 78→86

| | | | | | |
|--|---------------------------------------|--|------|----------------|-------------------------------------|
| | 75 - 80 - 115 - 120 | | 20,6 | AP LOCKHEED | 3954-G |
| | 80 - 90 - 100 - 115 - 120 - 125 | | 22,2 | AP LOCKHEED | 10183-G |
| | 80 - 100 - 115 - 120 | | 22,2 | BEDNIX - BOSCH | 3281-G |
| | 130 - 150 - 160 - 175 - 190 | | 23,8 | AP LOCKHEED | 3353-G |
| | 75 - 80 - 90 - 100 - 115 - 120 (DRUM) | | 20,6 | AP LOCKHEED | 3640-G |
| | ALL TYPES | | 41 | AP LOCKHEED | 3569-G 10524 P-413401 4 34,2 |
| | ALL TYPES | | 57 | AP LOCKHEED | 3283-G 10939 P-572801 2 28,5 |
| | ALL TYPES | | 19 | AP LOCKHEED | 2615-G |

TRANSIT (III SERIES) 86→00

| | | | | | |
|--|------------------------------------|-------------|------|----------------|-------------------------------------|
| | 80 - 100 - 120 PETROL (CY TYPE) | 01-86→01-91 | 22,2 | AP LOCKHEED | 10183-G |
| | (DY TYPE) | 01-91→01-95 | 23,8 | BEDNIX - BOSCH | 3209-G |
| | (CY) TYPE | 01-86→01-91 | 23,8 | BEDNIX - BOSCH | 3280-G |
| | 80 - 190 (CY TYPES) | 01-86→01-91 | 23,8 | AP LOCKHEED | 3967-G |
| | 80 - 100 - 120 (CY TYPE) | 01-86→01-91 | 38 | BEDNIX - BOSCH | 4303-G 10746 P-385104 2 51 |
| | TYPE CY 130 - 150 - 190 | 01-86→01-91 | 41 | AP LOCKHEED | 3569-G 10524 P-413401 4 34,2 |
| | T SERIES | 01-86→01-91 | 42 | BEDNIX - BOSCH | 4268-G 10526 P-425101 2 51 |
| | (EY) TYPE | 01-94→01-00 | 42 | BEDNIX - BOSCH | 4656-G 10525 P-425101 2 51 |
| | TYPE CY 130 - 150 - 190 HEAVY DUTY | 01-86→01-91 | 46 | AP LOCKHEED | 3403-G 10633 P-463001 4 30,7 |
| | T SERIES | 01-86→01-91 | 16 | BEDNIX - BOSCH | 30031-G |
| | 80 - 100 - 120 (CY TYPE) | | | | |
| | (EY) TYPE | 01-91→ | 16 | BEDNIX - BOSCH | 30115-G |
| | T SERIES | 01-86→09-92 | 20,6 | AP LOCKHEED | 10184-G |
| | 80 - 120 - 130 - 150L (D25) | 01-91→ | 20,6 | BEDNIX - BOSCH | 4211-G |
| | (CY) TYPE | →01-91 | 22,2 | AP LOCKHEED | 3287-G |
| | 80 - 120 - (TL20 - TV29) | 01-91→ | 22,2 | BEDNIX - BOSCH | 4212-G |
| | (CY) TYPES | →01-91 | 23,8 | AP LOCKHEED | 10203-G |
| | (CY) TYPE | →01-91 | 25,4 | AP LOCKHEED | 4160-G |
| | (EY) TYPE | 01-91→03-00 | 25,4 | BEDNIX - BOSCH | 4213-G |



Master Cylinder



Front Caliper



Front Wheel Cylinder



Clutch Master Cylinder



Front Caliper Guides



Pressure Regulating Valve



Rear Caliper



Rear Wheel Cylinder



Clutch Slave Cylinder



Rear Caliper Guides

Ø
(mm.)

VERSION



FORD

13 of 13

TRANSIT (IV SERIES) 00→06

| | | | | | | | | | |
|--|-----------|-------------|------|-------|----------------|-------|----------|---|----|
| | ALL TYPES | | 25,4 | BOSCH | 3413-G | | | | |
| | ALL TYPES | 01-00→05-06 | 48 | BOSCH | 4718-G | 10550 | P-485001 | 2 | 50 |
| | ALL TYPES | 01-00→05-06 | 10 | BOSCH | 30073-G | | | | |

TRANSIT (V SERIES) 06→13

| | | | | | | | | | |
|--|--------------------------------|--------|----|-------|----------------|-------|------------|---|------|
| | ALL TYPES | 04-06→ | 48 | BOSCH | 6009-G | | | | |
| | ALL TYPES | 04-06→ | 48 | BOSCH | 6286-G | 10847 | P-485203 | 2 | 52,5 |
| | ALL TYPES | 04-06→ | 12 | BOSCH | 30093-G | | | | |
| | ALL TYPES | 04-06→ | 48 | BOSCH | 6048-G | 10850 | P-485205 | 1 | 52 |
| | | | | | | 11798 | K-485205-R | 1 | 52 |
| | | | | | | 11797 | K-485205-L | 1 | 52 |
| | ALL TYPES (SINGLE REAR WHEELS) | 04-06→ | 10 | BOSCH | 30014-G | | | | |
| | ALL TYPES | 04-06→ | 18 | BOSCH | 30032-G | | | | |

TRANSIT 55

| | | | | | | | | | |
|--|-----------|-------------|------|-------------|---------------|--|--|--|--|
| | 55 SERIES | 01-53→01-65 | 20,6 | AP LOCKHEED | 6014-G | | | | |
|--|-----------|-------------|------|-------------|---------------|--|--|--|--|

TRANSIT CONNECT

| | | | | | | | | | |
|--|-----------|--------|------|-----|----------------|-------|----------|---|------|
| | ALL TYPES | 06-02→ | 54 | ATE | 4318-G | 10574 | P-545501 | 1 | 55,5 |
| | ALL TYPES | 06-02→ | 54 | ATE | 6033-G | | | | |
| | ALL TYPES | 06-02→ | 12 | ATE | 30023-G | | | | |
| | CONNECT | 06-02→ | 20,6 | | 6122-G | | | | |
| | 1.8 | 06-02→ | 36 | ATE | 4825-G | 11597 | P-365001 | 1 | 50 |
| | | | | | | 11603 | K-365001 | 1 | 50 |
| | CONNECT | 06-02→ | 12 | ATE | 30023-G | | | | |

TRANSIT TOURNEO

| | | | | | | | | | |
|--|--------------------------------|-------------|----|----------------|----------------|-------|----------|---|----|
| | ALL TYPES | 08-94→12-00 | 42 | BEDNIX - BOSCH | 4656-G | 10525 | P-425101 | 2 | 51 |
| | ALL TYPES | 11-94→ | 12 | BOSCH | 30093-G | | | | |
| | ALL TYPES | 08-94→12-00 | 16 | BEDNIX - BOSCH | 30115-G | | | | |
| | ALL TYPES (SINGLE REAR WHEELS) | 08-94→ | 10 | BOSCH | 30014-G | | | | |
| | ALL TYPES | 11-94→ | 10 | BOSCH | 30057-G | | | | |



Master Cylinder



Front Caliper



Front Wheel Cylinder



Clutch Master Cylinder



Front Caliper Guides



Pressure Regulating Valve



Rear Caliper



Rear Wheel Cylinder



Clutch Slave Cylinder



Rear Caliper Guides



∅
(mm.)

VERSION



GREAT WALL

1 of 1

HOVER



ALL TYPES

43

6364-G



ALL TYPES

41

6363-G



Master Cylinder



Front Caliper



Front Wheel Cylinder



Clutch Master Cylinder



Front Caliper Guides



Pressure Regulating Valve



Rear Caliper



Rear Wheel Cylinder



Clutch Slave Cylinder



Rear Caliper Guides



∅
(mm.)

VERSION



HOLDEN

1 of 1

APOLLO

| | | | | | |
|--|-----------|-------------|------|--|---------------|
| | ALL TYPES | 01-89→01-93 | 57 | | 4654-G |
| | ALL TYPES | 01-89→01-93 | 15,9 | | 3738-G |

ASTRA

| | | | | | |
|--|---------|-------------|----|--|---------------|
| | LB - LC | 01-84→08-87 | 48 | | 4809-G |
|--|---------|-------------|----|--|---------------|

COMMODORE

| | | | | | |
|--|-----------|--------|----|-------|---------------|
| | ALL TYPES | 01-07→ | 34 | LUCAS | 6222-G |
|--|-----------|--------|----|-------|---------------|

FRONTERA

| | | | | | |
|--|-----------|-------------|----|--|---------------|
| | ALL TYPES | 10-95→07-02 | 60 | | 6324-G |
|--|-----------|-------------|----|--|---------------|

RODEO

| | | | | | | | | | |
|--|-----------------|-------------|----|--|---------------|-------|----------|---|------|
| | (RA) 4x4 SERIES | 01-07→ | 45 | | 6120-G | 11770 | P-455303 | 2 | 53,6 |
| | TF | 00-90→00-03 | 60 | | 6324-G | | | | |

TORANA

| | | | | | |
|--|---------------------|-------------|------|-------|---------------|
| | TA SERIES | 01-73→01-75 | 20,6 | LUCAS | 4395-G |
| | LC - LJ 6 CYLINDERS | 10-69→01-74 | 54 | LUCAS | 6113-G |
| | LX - UC SERIES | 10-76→00-79 | 63 | | 6372-G |



Master Cylinder



Front Caliper



Front Wheel Cylinder



Clutch Master Cylinder



Front Caliper Guides



Pressure Regulating Valve



Rear Caliper



Rear Wheel Cylinder



Clutch Slave Cylinder



Rear Caliper Guides



∅
(mm.)

VERSION



HONDA

1 of 10

ACCORD (I SERIES) 05-76→09-83

| | | | | | | | | |
|--|-----------|-------------|------|---------|----------------|-------|----------|--------|
| | SJ 1600 | 05-76→09-83 | 20,6 | | 3767-G | | | |
| | SY 1600 | 05-76→09-83 | 20,6 | | 3768-G | | | |
| | ALL TYPES | 05-76→09-83 | 51 | TOKICO | 3337-G | 10624 | P-514401 | 1 44,5 |
| | ALL TYPES | 05-76→09-83 | 51 | AKEBONO | 3840-G | | | |
| | ALL TYPES | 05-76→09-83 | 10 | TOKICO | 30019-G | | | |
| | ALL TYPES | 05-76→09-83 | 17,5 | | 3810-G | | | |
| | ALL TYPES | 05-76→09-83 | 19 | | 3809-G | | | |
| | ALL TYPES | 05-76→09-83 | 20,6 | | 4739-G | | | |
| | ALL TYPES | 05-76→09-83 | 19 | | 3801-G | | | |

ACCORD (II SERIES) 09-83→10-85

| | | | | | | | | |
|--|-----------------|-------------|------|---------|----------------|-------|----------|--------|
| | ALL TYPES | 09-83→10-85 | 20,6 | | 3768-G | | | |
| | ALL TYPES | 09-83→10-85 | 51 | TOKICO | 3538-G | 10623 | P-514401 | 1 44,5 |
| | USA (DISC 17MM) | 09-83→10-85 | 51 | AKEBONO | 4471-G | | | |
| | USA (DISC 19MM) | 09-83→10-85 | 51 | AKEBONO | 4549-G | | | |
| | ALL TYPES | 09-83→10-85 | 10 | TOKICO | 30161-G | | | |
| | ALL TYPES | 09-83→10-85 | 13 | TOKICO | 30097-G | | | |
| | ALL TYPES | 09-83→10-85 | 20,6 | | 4739-G | | | |
| | ALL TYPES | 09-83→10-85 | 34 | TOKICO | 4433-G | | | |
| | ALL TYPES | 09-83→10-85 | 10 | TOKICO | 30022-G | | | |

ACCORD (III SERIES) 11-85→12-89

| | | | | | | | | |
|--|-----------|-------------|------|---------|----------------|-------|----------|--------|
| | 2.0i | 11-85→ | 22,2 | | 4789-G | | | |
| | ALL TYPES | 11-85→12-89 | 23,8 | LUCAS | 3679-G | | | |
| | ALL TYPES | 11-85→12-89 | 23,8 | LUCAS | 4351-G | | | |
| | ALL TYPES | 11-85→12-89 | 54 | AKEBONO | 3393-G | | | |
| | ALL TYPES | 11-85→12-89 | 54 | AKEBONO | 4487-G | 11376 | P-544504 | 1 45 |
| | ALL TYPES | 11-85→12-89 | 57 | NISSIN | 3682-G | 10936 | P-575102 | 1 51,5 |
| | ALL TYPES | 11-85→12-89 | 15 | AKEBONO | 30133-G | | | |
| | ALL TYPES | 11-85→12-89 | 30 | NISSIN | 4428-G | 11012 | P-304002 | 1 40,5 |
| | ALL TYPES | 11-85→12-89 | 30 | NISSIN | 4428-G | 11514 | K-304002 | 1 40,5 |
| | ALL TYPES | 11-85→12-89 | 10 | NISSIN | 30022-G | | | |



Master Cylinder



Front Caliper



Front Wheel Cylinder



Clutch Master Cylinder



Front Caliper Guides



Pressure Regulating Valve



Rear Caliper



Rear Wheel Cylinder



Clutch Slave Cylinder



Rear Caliper Guides



∅
(mm.)

VERSION



HONDA

2 of 10

ACCORD (IV SERIES) 11-89→12-93

| | | | | | | | | | |
|--|----------------------------------|-------------|------|---------|----------------|-------|----------|---|------|
| | ALL TYPES | 11-89→12-93 | 23,8 | LUCAS | 3679-G | | | | |
| | ALL TYPES | 11-89→12-93 | 23,8 | LUCAS | 4351-G | | | | |
| | ALL TYPES (ABS) | 11-89→12-93 | 25,4 | LUCAS | 4116-G | | | | |
| | 2.0i 16V COUPE | 11-89→12-93 | 54 | | 3548-G | | | | |
| | 2.2i - AERODECK | 11-89→12-89 | 57 | NISSIN | 3550-G | 10931 | P-575302 | 1 | 53,6 |
| | ALL TYPES EXCEPT 2.2i - AERODECK | 11-89→12-93 | 57 | AKEBONO | 4915-G | 11421 | P-575506 | 1 | 55 |
| | ALL TYPES | 11-89→12-93 | 34 | LUCAS | 3549-G | 10644 | P-344702 | 1 | 47,2 |
| | | | | | | 11559 | K-344702 | 1 | 47,2 |
| | ALL TYPES | 11-89→12-93 | 34 | LUCAS | 4980-G | | | | |
| | ALL TYPES | 11-89→12-93 | 38 | NISSIN | 4445-G | 10638 | P-384701 | 1 | 47,2 |
| | | | | | | 11644 | K-384701 | 1 | 47,2 |
| | ALL TYPES | 11-89→12-93 | 10 | NISSIN | 30022-G | | | | |
| | ALL TYPES | 11-89→12-93 | 15,9 | | 3557-G | | | | |
| | ALL TYPES | 11-89→12-93 | 19 | | 10295 | | | | |
| | ALL TYPES | 11-89→12-93 | 19 | | 3545-G | | | | |

ACCORD (V SERIES) 03-93→10-98

| | | | | | | | | | |
|--|-----------------------------------|-------------|------|--------|----------------|-------|----------|---|------|
| | ALL TYPES | 03-93→10-98 | 54 | | 3548-G | | | | |
| | ALL TYPES | 03-93→10-98 | 57 | NISSIN | 3550-G | 10931 | P-575302 | 1 | 53,6 |
| | ALL TYPES | 03-93→12-98 | 57 | NISSAN | 6369-G | 11830 | P-575506 | 1 | 55 |
| | ALL TYPES | 03-93→10-98 | 9 | NISSIN | 30007-G | | | | |
| | ALL TYPES | 03-93→10-98 | 11 | NISSIN | 30134-G | | | | |
| | ALL TYPES EXCEPT COUPE - AERODECK | 03-93→10-98 | 34 | LUCAS | 3549-G | 10644 | P-344702 | 1 | 47,2 |
| | | | | | | 11559 | K-344702 | 1 | 47,2 |
| | ALL TYPES EXCEPT COUPE - AERODECK | 03-93→10-98 | 34 | LUCAS | 4980-G | | | | |
| | COUPE - AERODECK | 03-93→10-98 | 38 | NISSIN | 4445-G | 10638 | P-384701 | 1 | 47,2 |
| | | | | | | 11644 | K-384701 | 1 | 47,2 |
| | ALL TYPES | 03-93→10-98 | 10 | NISSIN | 30022-G | | | | |
| | ALL TYPES | 03-93→10-98 | 15,9 | | 3557-G | | | | |
| | ALL TYPES | 03-93→10-98 | 19 | | 10295 | | | | |
| | ALL TYPES | 03-93→10-98 | 19 | | 3545-G | | | | |



Master Cylinder



Front Caliper



Front Wheel Cylinder



Clutch Master Cylinder



Front Caliper Guides



Pressure Regulating Valve



Rear Caliper



Rear Wheel Cylinder



Clutch Slave Cylinder



Rear Caliper Guides

Ø
(mm.)

VERSION



HONDA

3 of 10

ACCORD (VI SERIES) 03-97→12-03

| | | | | | | | | | |
|--|------------------|-------------|------|---------|----------------|-------|----------|---|------|
| | 1.8i | 10-98→12-02 | 23,8 | LUCAS | 4749-G | | | | |
| | ALL TYPES | 03-97→12-03 | 38 | NISSIN | 4448-G | 11125 | P-435101 | 1 | 51,5 |
| | | | | | | | P-385105 | 1 | 51,5 |
| | ALL TYPES | 03-97→12-03 | 57 | LUCAS | 3839-G | 10585 | P-575001 | 1 | 49,8 |
| | ALL TYPES | 03-97→12-02 | 57 | NISSAN | 6369-G | 11830 | P-575506 | 1 | 55 |
| | ALL TYPES | 03-97→12-03 | 10 | LUCAS | 30067-G | | | | |
| | 2.0i 16V COUPE | 03-97→12-03 | 34 | LUCAS | 3549-G | 10644 | P-344702 | 1 | 47,2 |
| | | | | | | 11559 | K-344702 | 1 | 47,2 |
| | 3.0 V6 24v COUPE | 03-97→12-03 | 34 | AKEBONO | 4597-G | 11552 | P-344603 | 1 | 46 |
| | | | | | | 11572 | K-344603 | 1 | 46 |
| | 2.0i 16V COUPE | 03-97→12-03 | 34 | LUCAS | 4980-G | | | | |
| | ALL TYPES | 03-97→12-03 | 38 | LUCAS | 4442-G | 10520 | P-385101 | 1 | 51 |
| | | | | | | 11651 | K-385101 | 1 | 51 |
| | ALL TYPES | 10-98→12-02 | 8 | LUCAS | 30004-G | | | | |
| | ALL TYPES | | 15,8 | NISSIN | 6384-G | | | | |
| | ALL TYPES | | 15,8 | | 6385-G | | | | |

ACCORD (VII SERIES) 02-03→

| | | | | | | | | | |
|--|-------------------------|--------|------|-------|----------------|-------|----------|---|------|
| | ALL TYPES | 02-03→ | 20,6 | BOSCH | 4848-G | | | | |
| | ALL TYPES | 02-03→ | 57 | ATE | 4768-G | 10589 | P-575504 | 1 | 55,4 |
| | ALL TYPES | 02-03→ | 12 | ATE | 30023-G | | | | |
| | ALL TYPES EXCEPT TOURER | 02-03→ | 38 | LUCAS | 4442-G | 10520 | P-385101 | 1 | 51 |
| | | | | | | 11651 | K-385101 | 1 | 51 |
| | TOURER | 02-03→ | 38 | LUCAS | 4881-G | 11143 | P-384603 | 1 | 46 |
| | ALL TYPES | 02-03→ | 10 | LUCAS | 30135-G | | | | |

ACCORD (VIII SERIES) 06-08→

| | | | | | | | | | |
|--|------------------------------------|-------------|-----|---------|----------------|-------|----------|---|------|
| | ALL TYPES (AUTOMATIC TRANSMISSION) | 06-08→ | 38 | AKEBONO | 6239-G | 11145 | P-434901 | 1 | 48,5 |
| | | | | | | | P-384802 | 1 | 48,5 |
| | ALL TYPES (MANUAL TRANSMISSION) | 06-08→ | 57 | ATE | 4768-G | 10589 | P-575504 | 1 | 55,4 |
| | ALL TYPES (AUTOMATIC TRANSMISSION) | 06-08→ | 9,8 | AKEBONO | 30039-G | | | | |
| | ALL TYPES (MANUAL TRANSMISSION) | 06-08→ | 12 | ATE | 30023-G | | | | |
| | ALL TYPES (AUTOMATIC TRANSMISSION) | 06-08→ | 38 | NISSIN | 4881-G | 11639 | P-384604 | 1 | 46 |
| | ALL TYPES (MANUAL TRANSMISSION) | 06-08→07-11 | 38 | NISSAN | 6240-G | 11632 | P-384703 | 1 | 47 |

CIVIC (I SERIES)

| | | | | | | | | | |
|--|------------|-------------|------|--------|----------------|-------|----------|---|----|
| | ALL TYPES | | 20,6 | | 3767-G | | | | |
| | 1500 SEDAN | 01-74→01-80 | 48 | TOKICO | 2643-G | 10615 | P-482901 | 2 | 29 |
| | ALL TYPES | 01-74→01-80 | 48 | TOKICO | 3836-G | 10617 | P-482902 | 1 | 29 |
| | | | | | | | P-482901 | 1 | 29 |
| | ALL TYPES | 01-74→01-80 | 10 | TOKICO | 30071-G | | | | |
| | ALL TYPES | 01-74→01-80 | 17,5 | | 3810-G | | | | |



Master Cylinder



Front Caliper



Front Wheel Cylinder



Clutch Master Cylinder



Front Caliper Guides



Pressure Regulating Valve



Rear Caliper



Rear Wheel Cylinder



Clutch Slave Cylinder



Rear Caliper Guides



Ø
(mm.)

VERSION



HONDA

4 of 10

CIVIC (II SERIES)

| | | | | | | | | | |
|--|-----------|-------------|------|----------|----------------|-------|----------|---|------|
| | ALL TYPES | 09-79→09-83 | 19 | | 4550-G | | | | |
| | ALL TYPES | 09-79→09-83 | 20,6 | | 3767-G | | | | |
| | ALL TYPES | 09-79→09-83 | 51 | TOKICO | 3337-G | 10624 | P-514401 | 1 | 44,5 |
| | WAGON | 03-81→09-83 | 51 | SUMITOMO | 4595-G | 10871 | P-514505 | 1 | 45 |
| | ALL TYPES | 09-79→09-83 | 10 | TOKICO | 30071-G | | | | |
| | ALL TYPES | 09-79→09-83 | 15,9 | | 4173-G | | | | |
| | ALL TYPES | 09-79→09-83 | 17,5 | | 3810-G | | | | |
| | ALL TYPES | 09-79→09-83 | 10 | AKEBONO | 30022-G | | | | |

CIVIC (III SERIES)

| | | | | | | | | | |
|--|---------------|-------------|------|----------|----------------|-------|----------|---|------|
| | ALL TYPES | 10-83→10-87 | 20,6 | | 3768-G | | | | |
| | ALL TYPES | 10-83→10-87 | 51 | TOKICO | 3337-G | 10624 | P-514401 | 1 | 44,5 |
| | SHUTTLE (4WD) | | | | | | P-514401 | 1 | 44,5 |
| | SHUTTLE (2WD) | 10-83→10-87 | 51 | SUMITOMO | 4474-G | 10854 | P-514601 | 1 | 46 |
| | ALL TYPES | 11-83→10-87 | 10 | TOKICO | 30161-G | | | | |
| | ALL TYPES | 10-83→10-87 | 19 | | 3809-G | | | | |
| | ALL TYPES | 10-83→10-87 | 10 | AKEBONO | 30022-G | | | | |

CIVIC (IV SERIES)

| | | | | | | | | | |
|--|--------------------|-------------|------|---------|----------------|-------|----------|---|------|
| | ALL TYPES | 09-87→ | 20,6 | | 3542-G | | | | |
| | 1200 - 1300 - 1400 | 01-88→01-89 | 51 | NISSIN | 3840-G | 11353 | P-514301 | 1 | 43,8 |
| | 1200 - 1300 - 1400 | 01-89→ | 51 | NISSIN | 4470-G | 10621 | P-514401 | 1 | 44,5 |
| | SHUTTLE 1400-1500 | 01-88→01-90 | 51 | AKEBONO | 4549-G | 11358 | P-514504 | 1 | 45 |
| | 1500i | 01-88→ | | | | | P-514504 | 1 | 45 |
| | 1500i-1600i | 01-88→ | 54 | NISSIN | 4579-G | 11398 | P-544402 | 1 | 44 |
| | SHUTTLE | | | | | | P-544402 | 1 | 44 |
| | 1600i VTEC (EE9) | 01-90→01-92 | 57 | NISSIN | 3682-G | 10936 | P-575102 | 1 | 51,5 |
| | ALL TYPES | | 19 | | 3809-G | | | | |
| | ALL TYPES | 01-88→ | 30 | NISSIN | 4428-G | 10599 | P-304301 | 1 | 43,8 |
| | | | | | | 11513 | K-304301 | 1 | 43,8 |
| | ALL TYPES | 01-88→ | 10 | AKEBONO | 30022-G | | | | |

CIVIC (V SERIES)

| | | | | | | | | | |
|--|------------------|-------------|------|--------|----------------|-------|----------|---|------|
| | ALL TYPES | 10-91→ | 20,6 | | 4779-G | | | | |
| | ALL TYPES (-ABS) | 10-91→12-95 | 22,2 | | 3546-G | | | | |
| | ALL TYPES (ABS) | 10-91→12-95 | 23,8 | | 4805-G | | | | |
| | 1300 | 10-91→ | 51 | NISSIN | 4470-G | 10621 | P-514401 | 1 | 44,5 |
| | 1500 - 1600i | 10-91→ | 51 | NISSIN | 4479-G | 10622 | P-514401 | 1 | 44,5 |
| | 1600i VTEC | 10-91→ | 54 | NISSIN | 4502-G | 10886 | P-544601 | 1 | 46 |
| | ALL TYPES | 10-91→ | 10 | NISSIN | 30069-G | | | | |
| | ALL TYPES | 10-91→ | 19 | | 3544-G | | | | |
| | ALL TYPES | 10-91→ | 30 | NISSIN | 4428-G | 10599 | P-304301 | 1 | 43,8 |
| | | | | | | 11513 | K-304301 | 1 | 43,8 |
| | ALL TYPES | 10-91→ | 10 | NISSIN | 30022-G | | | | |
| | ALL TYPES | 10-91→12-95 | 15,9 | | 3772-G | | | | |
| | ALL TYPES | 10-91→12-95 | 19 | | 10295 | | | | |
| | ALL TYPES | 10-91→12-95 | 19 | | 3545-G | | | | |



Master Cylinder



Front Caliper



Front Wheel Cylinder



Clutch Master Cylinder



Front Caliper Guides



Pressure Regulating Valve



Rear Caliper



Rear Wheel Cylinder



Clutch Slave Cylinder



Rear Caliper Guides

Ø
(mm.)

VERSION



HONDA

5 of 10

CIVIC (VI SERIES)

| | | | | | | | | | |
|--|--------------------------------|-------------|------|--------|----------------|-------|----------|---|------|
| | 1.5 - 1.6 - 1.5i - 1.6i (-ABS) | 01-96→ | 22,2 | LUCAS | 4748-G | | | | |
| | 1.5i - 2.0TDI | 01-96→ | 23,8 | LUCAS | 4749-G | | | | |
| | TYPES EJ 1300 - 1400 | 01-96→02-01 | 51 | NISSIN | 4479-G | 10622 | P-514401 | 1 | 44,5 |
| | 1500i - 1600i VTEC | 01-96→02-01 | 54 | NISSIN | 3548-G | 11379 | P-544601 | 1 | 46 |
| | MA - MB - MC (EXCEPT 1.8) | 01-96→02-01 | 54 | LUCAS | 4481-G | 10564 | P-544901 | 1 | 49,8 |
| | MC TYPE 1.8 | 04-98→02-01 | 57 | LUCAS | 3550-G | 10931 | P-575302 | 1 | 53,6 |
| | ALL TYPES | 01-96→02-01 | 10 | LUCAS | 30066-G | | | | |
| | ALL TYPES | 01-96→02-01 | 10 | NISSIN | 30069-G | | | | |
| | ALL TYPES | 01-96→ | 30 | NISSIN | 4428-G | 10599 | P-304301 | 1 | 43,8 |
| | | | | | | 11513 | K-304301 | 1 | 43,8 |
| | ALL TYPES | 01-96→ | 34 | LUCAS | 3549-G | 10644 | P-344702 | 1 | 47,2 |
| | | | | | | 11559 | K-344702 | 1 | 47,2 |
| | ALL TYPES | 01-96→ | 34 | LUCAS | 4980-G | | | | |
| | ALL TYPES | 01-96→ | 10 | LUCAS | 30022-G | | | | |
| | ALL TYPES | 11-95→02-01 | 15,9 | | 3557-G | | | | |

CIVIC (VII SERIES)

| | | | | | | | | | |
|--|------------|--------|------|--------|----------------|-------|----------|---|------|
| | 1.7 CDTI | | 23,8 | | 4794-G | | | | |
| | ALL TYPES | 02-01→ | 54 | LUCAS | 4481-G | 10564 | P-544901 | 1 | 49,8 |
| | 2.0 TYPE R | 02-01→ | 54 | NISSIN | 4502-G | 10886 | P-544601 | 1 | 46 |
| | 1.7 CTDI | 02-01→ | 57 | LUCAS | 3839-G | 10585 | P-575001 | 1 | 49,8 |
| | ALL TYPES | 02-01→ | 10 | LUCAS | 30066-G | | | | |
| | ALL TYPES | 02-01→ | 19 | LUCAS | 3071-G | | | | |
| | ALL TYPES | 02-01→ | 34 | LUCAS | 3549-G | 10644 | P-344702 | 1 | 47,2 |
| | | | | | | 11559 | K-344702 | 1 | 47,2 |
| | ALL TYPES | 02-01→ | 34 | LUCAS | 4980-G | | | | |
| | ALL TYPES | 02-01→ | 10 | LUCAS | 30022-G | | | | |

CIVIC (VIII SERIES)

| | | | | | | | | | |
|--|----------------------|-------------|-----|--------|----------------|-------|----------|---|------|
| | 1.3 HYBRID | 01-10→ | 45 | NISSIN | 6278-G | | | | |
| | ALL TYPES | 09-05→ | 54 | LUCAS | 3649-G | 10571 | P-545301 | 1 | 53,7 |
| | ALL TYPES | 09-05→ | 54 | NISSIN | 4502-G | 10886 | P-544601 | 1 | 46 |
| | 2.2 CDTI | 09-05→ | 54 | TRW | 6380-G | | | | |
| | ALL TYPES | 09-05→ | 10 | LUCAS | 30157-G | | | | |
| | ALL TYPES EXCEPT 1.3 | 09-05→ | 34 | LUCAS | 3549-G | 10644 | P-344702 | 1 | 47,2 |
| | | | | | | 11559 | K-344702 | 1 | 47,2 |
| | ALL TYPES | 09-05→ | 34 | LUCAS | 4980-G | | | | |
| | 1.3 | 09-05→09-08 | 34 | TRW | 6154-G | | | | |
| | ALL TYPES | 09-05→ | 8,4 | LUCAS | 30046-G | | | | |

CIVIC (IX SERIES)

| | | | | | | | | | |
|--|-----------|--------|----|-------|----------------|-------|----------|---|------|
| | 1.4i VTEC | 02-12→ | 57 | ATE | 4768-G | 10589 | P-575504 | 1 | 55,4 |
| | ALL TYPES | 02-12→ | 10 | LUCAS | 30157-G | | | | |
| | 1.4i VTEC | 02-12→ | 34 | ATE | 4822-G | | | | |



Master Cylinder



Front Caliper



Front Wheel Cylinder



Clutch Master Cylinder



Front Caliper Guides



Pressure Regulating Valve



Rear Caliper



Rear Wheel Cylinder



Clutch Slave Cylinder



Rear Caliper Guides

Ø
(mm.)

VERSION



HONDA

6 of 10

CONCERTO

| | | | | | | | | | |
|--|----------------|-------------|------|-------|----------------|-------|----------|---|------|
| | ALL TYPES | 08-89→10-96 | 22,2 | | 3546-G | | | | |
| | HW | 08-89→10-96 | 54 | LUCAS | 4481-G | 10564 | P-544901 | 1 | 49,8 |
| | ALL TYPES | 08-89→10-96 | 10 | LUCAS | 30066-G | | | | |
| | ALL TYPES | 08-89→10-96 | 19 | | 3544-G | | | | |
| | (HW) 1.5 - 1.6 | 08-89→10-96 | 30 | LUCAS | 4428-G | 10599 | P-304301 | 1 | 43,8 |
| | | | | | | 11513 | K-304301 | 1 | 43,8 |
| | ALL TYPES | 08-89→10-96 | 10 | LUCAS | 30022-G | | | | |

CR-V (I SERIES)

| | | | | | | | | | |
|--|------------------|-------------|------|---------|----------------|-------|----------|---|------|
| | ALL TYPES (ABS) | 10-95→01-99 | 23,8 | | 4793-G | | | | |
| | ALL TYPES (-ABS) | 10-95→01-99 | 23,8 | | 4794-G | | | | |
| | ALL TYPES | 10-95→02-02 | 57 | NISSIN | 3550-G | 10931 | P-575302 | 1 | 53,6 |
| | ALL TYPES | 01-99→02-02 | 57 | AKEBONO | 4731-G | 11414 | P-574801 | 1 | 48,3 |
| | ALL TYPES | 10-95→02-02 | 11 | NISSIN | 30134-G | | | | |
| | ALL TYPES | 01-98→ | 20,6 | | 4810-G | | | | |
| | ALL TYPES | 10-95→02-02 | 15,9 | | 4814-G | | | | |

CR-V (II SERIES)

| | | | | | | | | | |
|--|-----------|-------------|------|---------|----------------|-------|----------|---|------|
| | ALL TYPES | 07-02→09-06 | 57 | AKEBONO | 4731-G | 11414 | P-574801 | 1 | 48,3 |
| | ALL TYPES | 07-02→09-06 | 9,8 | AKEBONO | 30039-G | | | | |
| | ALL TYPES | 07-02→09-06 | 38 | NISSIN | 4881-G | 11143 | P-384603 | 1 | 46 |
| | ALL TYPES | 07-02→09-06 | 10 | NISSIN | 30135-G | | | | |
| | ALL TYPES | 07-02→09-06 | 15,9 | | 4814-G | | | | |

CR-V (III SERIES)

| | | | | | | | | | |
|--|-----------|-------------|----|-------|----------------|-------|----------|---|------|
| | ALL TYPES | 10-06→06-12 | 60 | BOSCH | 6172-G | 11834 | P-605204 | 1 | 52,5 |
| | ALL TYPES | 10-06→06-12 | 38 | BOSCH | 6235-G | 11156 | P-384802 | 1 | 48,5 |
| | ALL TYPES | 10-06→06-12 | 10 | BOSCH | 30057-G | | | | |

CR-V (IV SERIES)

| | | | | | | | | | |
|--|------------|--------|----|-------|----------------|-------|----------|---|------|
| | 2.0 - 2.2i | 10-12→ | 38 | BOSCH | 6235-G | 11156 | P-384802 | 1 | 48,5 |
| | ALL TYPES | 10-12→ | 10 | BOSCH | 30057-G | | | | |

CRX

| | | | | | | | | | |
|--|-----------------------|-------------|----|---------|----------------|-------|----------|---|------|
| | I SERIES | 03-86→08-89 | 51 | TOKICO | 3337-G | 10624 | P-514401 | 1 | 44,5 |
| | I SERIES 1.6 | 03-86→08-89 | 54 | AKEBONO | 3393-G | | | | |
| | III SERIES 1600i VTEC | 01-92→01-99 | 54 | NISSIN | 3548-G | 11379 | P-544601 | 1 | 46 |
| | II SERIES 1.6i (ED) | 01-87→01-92 | 54 | | 3820-G | | | | |
| | I SERIES 1.6 | 03-86→08-89 | 54 | AKEBONO | 4487-G | 11376 | P-544504 | 1 | 45 |
| | II SERIES 1.6 | 01-87→01-92 | 54 | NISSIN | 4579-G | 11398 | P-544402 | 1 | 44 |
| | III SERIES | 03-92→01-99 | 10 | NISSIN | 30069-G | | | | |
| | ALL TYPES | 10-83→10-87 | 10 | TOKICO | 30161-G | | | | |
| | I SERIES 1.6 | 03-86→08-89 | 15 | AKEBONO | 30133-G | | | | |
| | II - III SERIES 1.6 | 01-87→01-99 | 30 | NISSIN | 4428-G | 10599 | P-304301 | 1 | 43,8 |
| | | | | | | 11513 | K-304301 | 1 | 43,8 |
| | II - III SERIES | 01-87→01-99 | 10 | NISSIN | 30022-G | | | | |



Master Cylinder



Front Caliper



Front Wheel Cylinder



Clutch Master Cylinder



Front Caliper Guides



Pressure Regulating Valve



Rear Caliper



Rear Wheel Cylinder



Clutch Slave Cylinder



Rear Caliper Guides

Ø
(mm.)

VERSION

**HONDA**

7 of 10

FR-V

| | | | | | | | | | |
|--|-----------|--------|------|--------|----------------|-------|----------|---|------|
| | ALL TYPES | 02-05→ | 54 | NISSIN | 4502-G | 10886 | P-544601 | 1 | 46 |
| | ALL TYPES | 02-05→ | 57 | NISSIN | 3550-G | 10931 | P-575302 | 1 | 53,6 |
| | ALL TYPES | 02-05→ | 10,8 | NISSIN | 30062-G | | | | |
| | ALL TYPES | 02-05→ | 38 | NISSIN | 4881-G | 11143 | P-384603 | 1 | 46 |
| | ALL TYPES | 02-05→ | 10 | NISSIN | 30135-G | | | | |

HR-V

| | | | | | | | | | |
|--|-----------|--------|------|--------|----------------|-------|----------|---|------|
| | ALL TYPES | 03-99→ | 57 | NISSIN | 3550-G | 10931 | P-575302 | 1 | 53,6 |
| | ALL TYPES | 03-99→ | 11 | NISSIN | 30134-G | | | | |
| | ALL TYPES | 03-99→ | 20,6 | | 4810-G | | | | |

INTEGRA

| | | | | | | | | | |
|--|-----------|-------------|----|----------|----------------|-------|----------|---|------|
| | 1.5 - 1.6 | 03-86→08-89 | 54 | AKEBONO | 3393-G | | | | |
| | 1.5 - 1.6 | 03-86→08-89 | 54 | AKEBONO | 4487-G | 11376 | P-544504 | 1 | 45 |
| | ALL TYPES | 02-02→ | 10 | SUMITOMO | 30069-G | | | | |
| | ALL TYPES | 01-98→01-01 | 11 | NISSIN | 30134-G | | | | |
| | 1.5 - 1.6 | 03-86→08-89 | 15 | AKEBONO | 30133-G | | | | |
| | ALL TYPES | 01-86→01-88 | 19 | | 3809-G | | | | |
| | 1600 | 01-87→01-89 | 30 | NISSIN | 4428-G | 11012 | P-304002 | 1 | 40,5 |
| | | | | | | 11514 | K-304002 | 1 | 40,5 |
| | ALL TYPES | 01-98→12-00 | 10 | NISSIN | 30135-G | | | | |

JAZZ

| | | | | | | | | | |
|--|---------------------------|-------------|------|---------|----------------|-------|----------|---|------|
| | II SERIES | 03-02→ | 22,2 | | 4789-G | | | | |
| | I SERIES | 10-83→10-86 | 51 | NISSIN | 4470-G | 10621 | P-514401 | 1 | 44,5 |
| | II - III SERIES (GD - GE) | 03-02→ | 51 | NISSIN | 4479-G | 10622 | P-514401 | 1 | 44,5 |
| | II SERIES | 03-02→ | 10 | NISSIN | 30069-G | | | | |
| | I SERIES | 10-83→10-86 | 19 | | 3809-G | | | | |
| | II - III SERIES | 03-02→ | 30 | LUCAS | 4428-G | 10599 | P-304301 | 1 | 43,8 |
| | | | | | | 11513 | K-304301 | 1 | 43,8 |
| | III SERIES | 06-08→ | 10 | AKEBONO | 30022-G | | | | |
| | II SERIES | 03-02→12-08 | 10 | NISSIN | 30135-G | | | | |
| | II SERIES | 03-02→ | 15,9 | | 4842-G | | | | |
| | II SERIES | 03-02→ | 19 | | 3545-G | | | | |



Master Cylinder



Front Caliper



Front Wheel Cylinder



Clutch Master Cylinder



Front Caliper Guides



Pressure Regulating Valve



Rear Caliper



Rear Wheel Cylinder



Clutch Slave Cylinder



Rear Caliper Guides



∅
(mm.)

VERSION



HONDA

8 of 10

LEGEND

| | | | | | | | | | |
|--|-----------------|-------------|------|--------|----------------|-------|----------|---|------|
| | ALL TYPES | 01-86→01-87 | 23,8 | LUCAS | 4679-G | | | | |
| | ALL TYPES | 01-92→01-93 | 25,4 | | 4425-G | | | | |
| | II - III SERIES | 01-91→09-04 | 38 | NISSIN | 4448-G | 11125 | P-435101 | 1 | 51,5 |
| | | | | | | | P-385105 | 1 | 51,5 |
| | IV SERIES | 10-04→ | 43 | ADVICS | 4936-G | 11752 | P-433104 | 4 | 31 |
| | III SERIES | 03-96→09-04 | 57 | NISSIN | 3550-G | 10931 | P-575302 | 1 | 53,6 |
| | I SERIES | 01-86→12-90 | 57 | NISSIN | 3682-G | 10936 | P-575102 | 1 | 51,5 |
| | ALL TYPES | 01-91→03-96 | 11 | NISSIN | 30134-G | | | | |
| | I SERIES | 01-86→12-90 | 38 | TOKICO | 3683-G | 10605 | P-384601 | 1 | 46,8 |
| | I SERIES (ABS) | | | | | 11648 | K-384601 | 1 | 46,8 |
| | I SERIES 2.7 | 01-86→12-90 | 38 | NISSIN | 4445-G | 10638 | P-384701 | 1 | 47,2 |
| | | | | | | 11644 | K-384701 | 1 | 47,2 |
| | II - III SERIES | 01-91→09-04 | 38 | NISSIN | 4881-G | 11143 | P-384603 | 1 | 46 |
| | IV SERIES | 10-04→ | 40 | NISSIN | 6249-G | | | | |
| | I SERIES | 01-86→12-90 | 10 | NISSIN | 30022-G | | | | |
| | III SERIES | 03-96→09-04 | 10 | NISSIN | 30135-G | | | | |
| | 2.7 - 2.7 COUPE | 01-86→ | 15,9 | | 3772-G | | | | |
| | 3.2 - 3.2 COUPE | 01-86→ | 19 | | 10295 | | | | |
| | 3.2 - 3.2 COUPE | 01-86→ | 19 | | 3545-G | | | | |

LOGO

| | | | | | | | | | |
|--|-----------|-------------|----|--------|----------------|-------|----------|---|------|
| | ALL TYPES | 03-99→03-02 | 51 | NISSIN | 4479-G | 10622 | P-514401 | 1 | 44,5 |
| | ALL TYPES | 03-99→03-02 | 10 | NISSIN | 30069-G | | | | |

NSX

| | | | | | | | | | |
|--|---------------------|-------------|----|--------|----------------|--|--|--|--|
| | 3.0 24V (2 PISTONS) | 01-90→ | 36 | NISSIN | 4701-G | | | | |
| | ALL TYPES | 06-90→01-95 | 11 | NISSIN | 30134-G | | | | |
| | 3.0 | 06-90→09-05 | 43 | NISSIN | 4973-G | | | | |
| | ALL TYPES | 06-90→01-95 | 11 | NISSIN | 30134-G | | | | |



Master Cylinder



Front Caliper



Front Wheel Cylinder



Clutch Master Cylinder



Front Caliper Guides



Pressure Regulating Valve



Rear Caliper



Rear Wheel Cylinder



Clutch Slave Cylinder



Rear Caliper Guides

Ø
(mm.)

VERSION

**HONDA**

9 of 10

PRELUDE

| | | | | | | | | | |
|--|-----------------------------|-------------|------|----------|----------------|-------|----------|---|------|
| | BB2 - BB3 | 01-92→ | 22,2 | | 3769-G | | | | |
| | BA4 | 01-88→ | 23,8 | LUCAS | 3679-G | | | | |
| | 2.0i (-ABS) | 01-92→ | 23,8 | | 4534-G | | | | |
| | 2.0i - 3.2i (ABS) | 01-92→ | 25,4 | | 4425-G | | | | |
| | II SERIES 1.6 | 11-83→09-87 | 51 | TOKICO | 3337-G | 10624 | P-514401 | 1 | 44,5 |
| | II SERIES 1.8 | 11-83→09-87 | 51 | NISSIN | 3840-G | | | | |
| | I SERIES 1.6 | 11-78→10-82 | 51 | SUMITOMO | 4474-G | 10854 | P-514601 | 1 | 46 |
| | II SERIES 2.0 | 11-83→09-87 | 54 | AKEBONO | 3393-G | | | | |
| | II SERIES 2.0 | 11-83→09-87 | 54 | AKEBONO | 4487-G | 11376 | P-544504 | 1 | 45 |
| | III SERIES | 04-86→01-92 | 54 | NISSIN | 4579-G | 11398 | P-544402 | 1 | 44 |
| | IV - V SERIES (BB1-BB2-BB3) | 12-91→04-01 | 57 | NISSIN | 3550-G | 10931 | P-575302 | 1 | 53,6 |
| | III SERIES (BA4) | 04-86→01-92 | 57 | NISSIN | 3682-G | 10936 | P-575102 | 1 | 51,5 |
| | III SERIES 2.0 (BA 4) | 04-86→01-92 | 57 | TOKICO | 3821-G | 11441 | P-574803 | 1 | 48 |
| | I SERIES | 11-78→10-82 | 7 | SUMITOMO | 30042-G | | | | |
| | ALL TYPES | 01-83→09-87 | 10 | TOKICO | 30161-G | | | | |
| | IV - V SERIES | 12-91→04-01 | 11 | NISSIN | 30134-G | | | | |
| | II SERIES 2.0 | 11-83→09-87 | 15 | AKEBONO | 30133-G | | | | |
| | I SERIES | 11-78→10-82 | 17,5 | | 3810-G | | | | |
| | II SERIES 1.8 | 11-83→09-87 | 30 | TOKICO | 3543-G | 11518 | P-304401 | 1 | 44,7 |
| | II SERIES 2.0 | 11-83→09-87 | 30 | NISSIN | 4428-G | 11012 | P-304002 | 1 | 40,5 |
| | | | | | | 11514 | K-304002 | 1 | 40,5 |
| | II SERIES 1.8 | 11-83→09-87 | 30 | TOKICO | 4979-G | | | | |
| | IV - V SERIES | 01-92→04-01 | 34 | LUCAS | 3549-G | 10644 | P-344702 | 1 | 47,2 |
| | III SERIES | 04-86→01-92 | | NISSIN | | 11046 | P-344401 | 1 | 44 |
| | IV - V SERIES | 01-92→04-01 | | LUCAS | | 11559 | K-344702 | 1 | 47,2 |
| | III SERIES | 04-86→01-92 | | NISSIN | | 11558 | K-344401 | 1 | 44 |
| | III SERIES (BA4) | 04-86→ | 34 | | 3826-G | | | | |
| | III - IV - V SERIES | 04-86→04-01 | 34 | NISSIN | 4980-G | | | | |
| | II - IV - V SERIES | 04-86→04-01 | 10 | LUCAS | 30022-G | | | | |
| | IV SERIES | 01-92→ | 15,9 | | 3557-G | | | | |
| | III SERIES | 04-86→01-92 | 15,9 | | 3772-G | | | | |
| | III - IV SERIES | 04-86→02-97 | 19 | | 10295 | | | | |
| | III - IV SERIES | 04-86→02-97 | 19 | | 3545-G | | | | |
| | I SERIES | 11-78→10-82 | 19 | | 3801-G | | | | |

QUINTET

| | | | | | | | | | |
|--|-----------|-------------|---|----------|----------------|--|--|--|--|
| | ALL TYPES | 02-80→12-84 | 7 | SUMITOMO | 30042-G | | | | |
|--|-----------|-------------|---|----------|----------------|--|--|--|--|

S2000

| | | | | | | | | | |
|--|-----------|-------------|----|--------|----------------|-------|----------|---|----|
| | ALL TYPES | 03-99→ | 40 | NISSIN | 6246-G | 11676 | P-404701 | 1 | 47 |
| | | | | | | 11684 | K-404701 | 1 | 47 |
| | ALL TYPES | 03-99→01-10 | 10 | NISSIN | 30135-G | | | | |

SHUTTLE

| | | | | | | | | | |
|--|-----------|-------------|----|--------|----------------|-------|----------|---|------|
| | ALL TYPES | 10-94→06-02 | 57 | NISSIN | 3550-G | 10931 | P-575302 | 1 | 53,6 |
| | ALL TYPES | 10-94→06-02 | 11 | NISSIN | 30134-G | | | | |
| | 2.2 - 2.3 | 10-94→05-01 | 38 | NISSIN | 4881-G | 11143 | P-384603 | 1 | 46 |
| | 2.3 16V | 10-97→06-04 | 8 | LUCAS | 30004-G | | | | |



Master Cylinder



Front Caliper



Front Wheel Cylinder



Clutch Master Cylinder



Front Caliper Guides



Pressure Regulating Valve



Rear Caliper



Rear Wheel Cylinder



Clutch Slave Cylinder



Rear Caliper Guides



∅
(mm.)

VERSION



HONDA

10 of 10

STREAM

| | | | | | | | | | |
|--|-----------|--------|------|--------|----------------|-------|----------|---|----|
| | ALL TYPES | 05-01→ | 54 | NISSIN | 4502-G | 10886 | P-544601 | 1 | 46 |
| | ALL TYPES | 05-01→ | 10,8 | NISSIN | 30062-G | | | | |
| | ALL TYPES | 05-01→ | 38 | NISSIN | 4881-G | 11143 | P-384603 | 1 | 46 |
| | ALL TYPES | 05-01→ | 10 | NISSIN | 30135-G | | | | |



Master Cylinder



Front Caliper



Front Wheel Cylinder



Clutch Master Cylinder



Front Caliper Guides



Pressure Regulating Valve



Rear Caliper



Rear Wheel Cylinder



Clutch Slave Cylinder



Rear Caliper Guides



∅
(mm.)

VERSION



HYUNDAI

1 of 7

ACCENT

| | | | | | | | | | |
|--|----------------------|-------------|------|-------|----------------|-------|----------|---|------|
| | I - II SERIES (ABS) | 01-94→10-05 | 20,6 | | 3527-G | | | | |
| | I - II SERIES (-ABS) | 01-94→10-05 | 20,6 | | 3528-G | | | | |
| | I SERIES | 01-94→01-00 | 51 | MANDO | 3538-G | 10623 | P-514401 | 1 | 44,5 |
| | II SERIES | 01-00→10-05 | 54 | MANDO | 3537-G | 10627 | P-544904 | 1 | 49 |
| | III SERIES | 11-05→01-11 | 54 | KASKO | 6133-G | 11404 | P-544703 | 1 | 47,7 |
| | I SERIES | 01-94→01-00 | 10 | MANDO | 30060-G | | | | |
| | I SERIES | 01-94→01-00 | 13 | MANDO | 30097-G | | | | |
| | I - II SERIES | | 19 | | 3071-G | | | | |
| | III SERIES | 11-05→01-11 | 30,9 | KASKO | 6062-G | 11031 | P-314701 | 1 | 47,5 |
| | IV SERIES | 01-11→ | 8 | MANDO | 30128-G | | | | |
| | III SERIES | 11-05→01-11 | 10 | KASKO | 30020-G | | | | |
| | I SERIES | 01-94→01-00 | 15,9 | | 3530-G | | | | |
| | II SERIES | 01-00→10-05 | 19 | NABCO | 4838-G | | | | |
| | I - II SERIES | 01-94→10-05 | 20,6 | | 3529-G | | | | |

ATOS

| | | | | | | | | | |
|--|-----------|--------|------|-------|----------------|-------|----------|---|------|
| | 1.0 | | 20,6 | LUCAS | 4130-G | | | | |
| | ALL TYPES | 01-98→ | 51 | MANDO | 4287-G | 10620 | P-514401 | 1 | 44,5 |
| | ALL TYPES | 01-98→ | 10 | MANDO | 30012-G | | | | |
| | ALL TYPES | | 17,5 | LUCAS | 3591-G | | | | |

COUPE

| | | | | | | | | | |
|--|---------------|-------------|------|-------|----------------|-------|----------|---|------|
| | I SERIES | 08-96→04-02 | 54 | MANDO | 3565-G | 10891 | P-545104 | 1 | 51 |
| | II SERIES | 04-02→ | 57 | MANDO | 6316-G | 11429 | P-575103 | 1 | 51,2 |
| | I SERIES | 08-96→04-02 | 10 | MANDO | 30012-G | | | | |
| | I - II SERIES | 08-96→ | 34 | MANDO | 3539-G | 11051 | P-344801 | 1 | 48 |
| | I - II SERIES | 08-96→ | 34 | MANDO | 6017-G | 11560 | K-344801 | 1 | 48 |
| | I - II SERIES | 08-96→ | 10 | MANDO | 30012-G | | | | |
| | ALL TYPES | 08-96→ | 20,6 | | 3529-G | | | | |



Master Cylinder



Front Caliper



Front Wheel Cylinder



Clutch Master Cylinder



Front Caliper Guides



Pressure Regulating Valve



Rear Caliper



Rear Wheel Cylinder



Clutch Slave Cylinder



Rear Caliper Guides

Ø
(mm.)

VERSION



HYUNDAI

2 of 7

ELANTRA

| | | | | | | | | | |
|--|------------------------|-------------|------|-------|----------------|-------|----------|---|------|
| | I - II SERIES | 10-90→06-00 | 22,2 | | 3531-G | | | | |
| | I SERIES 1.5 | 10-90→11-95 | 54 | MANDO | 3537-G | 10627 | P-544904 | 1 | 49 |
| | I SERIES 1.6 - 1.8 | 10-90→11-95 | 54 | MANDO | 3565-G | 10891 | P-545104 | 1 | 51 |
| | III SERIES | 09-00→07-03 | | | | | P-545104 | 1 | 51 |
| | II SERIES (EXCEPT 1.5) | 11-95→09-00 | | | | | P-545104 | 1 | 51 |
| | III SERIES | 07-03→02-06 | 54 | MANDO | 6070-G | 10929 | P-545104 | 1 | 51 |
| | IV SERIES | 02-06→06-11 | 57 | MANDO | 4829-G | 11425 | P-575103 | 1 | 51,2 |
| | III SERIES | 09-00→07-03 | 9,9 | MANDO | 30061-G | | | | |
| | I SERIES 1.6 - 1.8 | 10-90→11-95 | 10 | MANDO | 30060-G | | | | |
| | I SERIES 1.5 | 12-90→11-95 | 13 | MANDO | 30097-G | | | | |
| | I - II - III SERIES | 10-90→ | 19 | | 4177-G | | | | |
| | IV SERIES | 06-06→ | 30 | MANDO | 6097-G | 11505 | P-304602 | 1 | 46,5 |
| | I - II - III SERIES | 10-90→ | 34 | MANDO | 3539-G | 11051 | P-344801 | 1 | 48 |
| | | | | | | 11560 | K-344801 | 1 | 48 |
| | I - II - III SERIES | 10-90→ | 34 | MANDO | 6017-G | | | | |
| | I - II - III SERIES | 10-90→07-03 | 10 | MANDO | 30012-G | | | | |
| | II SERIES | 11-95→ | 15,9 | | 3530-G | | | | |
| | I SERIES | 10-90→11-95 | 15,9 | | 3976-G | | | | |
| | ALL TYPES | | 20,6 | | 3529-G | | | | |

GALLOPER

| | | | | | | | | | |
|--|-----------|-------------|------|---------|---------------|-------|----------|---|------|
| | I SERIES | 08-91→07-98 | 23,8 | | 4904-G | | | | |
| | II SERIES | 08-98→12-03 | 43 | AKEBONO | 3559-G | 10671 | P-434501 | 2 | 44,8 |
| | II SERIES | 08-98→ | 57 | MANDO | 4305-G | 10943 | P-575103 | 1 | 51,2 |
| | I SERIES | 01-91→01-98 | 19 | NABCO | 4838-G | | | | |

GENESIS

| | | | | | | | | | |
|--|-----------------|--------|----|-------|---------------|-------|----------|---|------|
| | COUPE 2.0 TURBO | 01-08→ | 60 | MANDO | 4910-G | 10989 | P-605101 | 1 | 51,5 |
| | 3.8 | 01-08→ | 63 | MANDO | 6336-G | | | | |
| | COUPE 2.0 TURBO | 01-08→ | 43 | MANDO | 6259-G | 11737 | P-434901 | 1 | 48,9 |
| | 3.8 | 01-08→ | 45 | MANDO | 6276-G | 11772 | P-454902 | 1 | 49 |

GETZ

| | | | | | | | | | |
|--|-----------------|--------|------|-------|----------------|-------|----------|---|----|
| | 1.3 - 1.6 | 09-02→ | 22,2 | | 4847-G | | | | |
| | ALL TYPES | 01-02→ | 54 | MANDO | 3537-G | 10627 | P-544904 | 1 | 49 |
| | ALL TYPES | 01-02→ | 10 | MANDO | 30060-G | | | | |
| | ALL TYPES | 08-05→ | 34 | MANDO | 4693-G | 10709 | P-344602 | 1 | 46 |
| | 1.1 - 1.3 - 1.6 | 01-02→ | 15,9 | NABCO | 4843-G | | | | |
| | 1.3 - 1.5 - 1.6 | 01-02→ | 19 | NABCO | 4838-G | | | | |

GRANDEUR

| | | | | | | | | | |
|--|-----------|-------------|----|-------|----------------|-------|----------|---|------|
| | ALL TYPES | 04-05→ | 60 | MANDO | 6328-G | 11476 | P-605101 | 1 | 51,5 |
| | ALL TYPES | 12-98→12-05 | 8 | MANDO | 30149-G | | | | |



Master Cylinder



Front Caliper



Front Wheel Cylinder



Clutch Master Cylinder



Front Caliper Guides



Pressure Regulating Valve



Rear Caliper



Rear Wheel Cylinder



Clutch Slave Cylinder



Rear Caliper Guides

Ø
(mm.)

VERSION



HYUNDAI

3 of 7

H1

| | | | | | | | | | |
|--|------------------|--------|------|--------|---------------|-------|----------|---|------|
| | ALL TYPES (-ABS) | | 25,4 | TOKICO | 4134-G | | | | |
| | I SERIES | 10-97→ | 43 | MANDO | 3604-G | 10785 | P-434901 | 2 | 48,9 |
| | I - II SERIES | 10-97→ | 43 | MANDO | 6262-G | 11254 | P-434901 | 2 | 48,9 |
| | II SERIES | 01-07→ | 48 | KASKO | 6290-G | 11792 | P-485102 | 2 | 51 |
| | ALL TYPES | | 22,2 | LUCAS | 3063-G | | | | |
| | II SERIES | 01-07→ | 42 | KASKO | 6254-G | 11224 | P-414501 | 1 | 45,8 |
| | ALL TYPES | | 15,9 | | 3521-G | | | | |
| | ALL TYPES | | 20,6 | | 3529-G | | | | |

H100 (VAN)

| | | | | | | | | | |
|--|---------------------|-------------|------|-------|---------------|-------|----------|---|------|
| | ALL TYPES (-ABS) | | 23,8 | | 3979-G | | | | |
| | ALL TYPES | 01-04→ | 46 | KASKO | 6282-G | 11782 | P-464601 | 2 | 46,5 |
| | ALL TYPES | 07-93→03-00 | 60 | MANDO | 4304-G | 10982 | P-605101 | 1 | 51,5 |
| | ALL TYPES | | 19 | | 4177-G | | | | |
| | ALL TYPES | | 15,9 | | 3521-G | | | | |
| | MANUAL TRANSMISSION | 07-93→01-07 | 19 | | 10241 | | | | |
| | ALL TYPES | | 19 | | 3876-G | | | | |
| | ALL TYPES | | 20,6 | | 3529-G | | | | |

HD65

| | | | | | | | | | |
|--|------------------|--|----|--|---------------|--|--|--|--|
| | AV (TWIN WHEELS) | | 27 | | 3789-G | | | | |
|--|------------------|--|----|--|---------------|--|--|--|--|

i10

| | | | | | | | | | |
|--|-----------|--------|----|-------|----------------|-------|----------|---|------|
| | ALL TYPES | 01-08→ | 51 | MANDO | 3538-G | 10623 | P-514401 | 1 | 44,5 |
| | ALL TYPES | 01-08→ | 34 | MANDO | 6221-G | 11548 | P-334601 | 1 | 46,8 |
| | | | | | | 11565 | K-334601 | 1 | 46,8 |
| | ALL TYPES | 01-08→ | 10 | KASKO | 30018-G | | | | |

i20

| | | | | | | | | | |
|--|-----------------|--------|----|-------|----------------|-------|----------|---|------|
| | ALL TYPES -EPS | 08-08→ | 51 | MANDO | 3538-G | 10623 | P-514401 | 1 | 44,5 |
| | ALL TYPES (ESP) | 08-08→ | 54 | MANDO | 6070-G | 10929 | P-545104 | 1 | 51 |
| | ALL TYPES | 08-08→ | 14 | MANDO | 30104-G | | | | |
| | ALL TYPES (ESP) | 08-08→ | 30 | MANDO | 6157-G | 11014 | P-304602 | 1 | 46,5 |
| | ALL TYPES | 08-08→ | 8 | MANDO | 30048-G | | | | |

i30

| | | | | | | | | | |
|--|--------------------------------|--------|----|-------|----------------|-------|----------|---|------|
| | ALL TYPES | 10-07→ | 57 | KASKO | 6035-G | | | | |
| | ALL TYPES | 10-07→ | 57 | KASKO | 6315-G | 11428 | P-575103 | 1 | 51,2 |
| | ALL TYPES | 11-07→ | 9 | KASKO | 30151-G | | | | |
| | ALL TYPES | 10-07→ | 34 | KASKO | 6154-G | 11547 | P-344705 | 1 | 47,5 |
| | ALL TYPES (ELECTRIC HANDBRAKE) | 10-07→ | 34 | MOBIS | 6228-G | | | | |
| | ALL TYPES | 10-07→ | 34 | MOBIS | 6229-G | 11557 | P-344706 | 1 | 47,2 |
| | | | | | | 11067 | P-344706 | 1 | 47,2 |
| | ALL TYPES | 10-07→ | 10 | KASKO | 30020-G | | | | |

i40

| | | | | | | | | | |
|--|--------------------------------|--------|----|-------|----------------|-------|----------|---|------|
| | ALL TYPES | 06-11→ | 60 | KASKO | 6325-G | 11467 | P-605202 | 1 | 52,5 |
| | ALL TYPES | 06-11→ | 10 | KASKO | 30084-G | | | | |
| | ALL TYPES (ELECTRIC HANDBRAKE) | 06-11→ | 38 | MANDO | 6242-G | 11642 | P-384804 | 1 | 48,5 |



Master Cylinder



Front Caliper



Front Wheel Cylinder



Clutch Master Cylinder



Front Caliper Guides



Pressure Regulating Valve



Rear Caliper



Rear Wheel Cylinder



Clutch Slave Cylinder



Rear Caliper Guides

Ø
(mm.)

VERSION



HYUNDAI

4 of 7

ix20

| | | | | | | | | | |
|--|-----------|--------|----|-------|----------------|-------|----------|---|------|
| | ALL TYPES | 11-10→ | 57 | KASKO | 6035-G | | | | |
| | ALL TYPES | 11-10→ | 57 | KASKO | 6315-G | 11428 | P-575103 | 1 | 51,2 |
| | ALL TYPES | 11-10→ | 10 | KASKO | 30041-G | | | | |
| | ALL TYPES | 11-10→ | 34 | KASKO | 6180-G | 11553 | P-344706 | 1 | 47,2 |
| | ALL TYPES | 11-10→ | 34 | MOBIS | 6229-G | 11067 | P-344706 | 1 | 47,2 |
| | ALL TYPES | | | | | 11557 | P-344706 | 1 | 47,2 |
| | ALL TYPES | 11-10→ | 8 | KASKO | 30048-G | | | | |

ix35

| | | | | | | | | | |
|--|-----------|--------|----|-------|----------------|-------|----------|---|------|
| | ALL TYPES | 08-09→ | 60 | KASKO | 6325-G | 11469 | P-605105 | 1 | 51 |
| | ALL TYPES | 08-09→ | 10 | KASKO | 30084-G | | | | |
| | ALL TYPES | 08-09→ | 34 | KASKO | 6154-G | 11547 | P-344705 | 1 | 47,5 |
| | ALL TYPES | 01-10→ | 10 | KASKO | 30145-G | | | | |

ix55

| | | | | | | | | | |
|--|-----------|--------|----|-------|----------------|-------|----------|---|----|
| | ALL TYPES | 09-08→ | 46 | KASKO | 6283-G | 11785 | P-465103 | 2 | 51 |
| | ALL TYPES | 09-08→ | 12 | KASKO | 30130-G | | | | |
| | ALL TYPES | 09-08→ | 43 | KASKO | 6264-G | 11739 | P-434701 | 1 | 47 |
| | ALL TYPES | 09-08→ | 10 | KASKO | 30145-G | | | | |

LANTRA

| | | | | | | | | | |
|--|------------------------|-------------|------|-------|----------------|-------|----------|---|----|
| | I - II SERIES | 10-90→ | 22,2 | | 3531-G | | | | |
| | I SERIES 1.5 | 10-90→11-95 | 54 | MANDO | 3537-G | 10627 | P-544904 | 1 | 49 |
| | I SERIES 1.6 - 1.8 | 10-90→11-95 | 54 | MANDO | 3565-G | 10891 | P-545104 | 1 | 51 |
| | II SERIES (EXCEPT 1.5) | 11-95→09-00 | | | | | P-545104 | 1 | 51 |
| | I SERIES 1.6 - 1.8 | 10-90→11-95 | 10 | MANDO | 30060-G | | | | |
| | I SERIES 1.5 | 12-90→11-95 | 13 | MANDO | 30097-G | | | | |
| | I - II SERIES | 10-90→ | 19 | | 4177-G | | | | |
| | I - II SERIES | 10-90→ | 34 | MANDO | 3539-G | 11051 | P-344801 | 1 | 48 |
| | | | | | | 11560 | K-344801 | 1 | 48 |
| | II SERIES | 11-95→ | 15,9 | | 3530-G | | | | |
| | I SERIES | 10-90→11-95 | 15,9 | | 3976-G | | | | |

MATRIX

| | | | | | | | | | |
|--|-----------|-------------|-----|-------|----------------|-------|----------|---|----|
| | ALL TYPES | →03-02 | 54 | MANDO | 3565-G | 10891 | P-545104 | 1 | 51 |
| | ALL TYPES | 01-02→ | 54 | MANDO | 6070-G | 10929 | P-545104 | 1 | 51 |
| | ALL TYPES | 01-02→ | 9,9 | MANDO | 30061-G | | | | |
| | ALL TYPES | 06-01→ | 34 | MANDO | 4693-G | 10709 | P-344602 | 1 | 46 |
| | ALL TYPES | 06-01→08-10 | 8 | MANDO | 30149-G | | | | |



Master Cylinder



Front Caliper



Front Wheel Cylinder



Clutch Master Cylinder



Front Caliper Guides



Pressure Regulating Valve



Rear Caliper



Rear Wheel Cylinder



Clutch Slave Cylinder



Rear Caliper Guides

Ø
(mm.)

VERSION

**HYUNDAI**

5 of 7

PONY - EXCEL

| | | | | | | | | | |
|--|-----------|-------------|------|-------------|----------------|-------|----------|---|----|
| | ALL TYPES | | 22,2 | | 3531-G | | | | |
| | ALL TYPES | 06-74→01-85 | 48 | ATE - LUCAS | 3677-G | | | | |
| | ALL TYPES | 00-85→06-91 | 51 | SUMITOMO | 4595-G | 10871 | P-514505 | 1 | 45 |
| | ALL TYPES | 07-91→01-95 | 54 | MANDO | 3537-G | 10627 | P-544904 | 1 | 49 |
| | ALL TYPES | 00-85→01-95 | 10 | MANDO | 30060-G | | | | |
| | ALL TYPES | 08-89→08-99 | 13 | MANDO | 30097-G | | | | |
| | ALL TYPES | | 17,5 | | 3072-G | | | | |
| | 1.3 - 1.5 | 01-89→01-95 | 20,6 | LUCAS | 4250-G | | | | |
| | ALL TYPES | | 15,9 | | 3976-G | | | | |
| | ALL TYPES | | 20,6 | | 3529-G | | | | |

PORTER

| | | | | | | | | | |
|--|-----------|--|------|--|---------------|--|--|--|--|
| | ALL TYPES | | 60 | | 3892-G | | | | |
| | ALL TYPES | | 15,9 | | 3893-G | | | | |
| | ALL TYPES | | 19 | | 3575-G | | | | |

SANTA FÉ

| | | | | | | | | | |
|--|-----------------------|-------------|------|-------|----------------|-------|----------|---|------|
| | (SM) SERIES | 02-01→ | 25,4 | | 4844-G | | | | |
| | (SM) SERIES | 02-01→ | 43 | MANDO | 3604-G | 10785 | P-434901 | 2 | 48,9 |
| | (CM) SERIES | 03-06→ | 45 | MANDO | 6066-G | 10815 | P-454902 | 1 | 49 |
| | (SM) SERIES | 02-01→03-06 | 10 | MANDO | 30012-G | | | | |
| | (SM) SERIES | 02-01→ | 38 | MANDO | 4358-G | 10735 | P-384903 | 1 | 49,4 |
| | (CM) SERIES 2.2 - 2.7 | 03-06→ | 43 | MANDO | 4899-G | 10691 | P-424801 | 1 | 48,9 |
| | (CM) SERIES | 01-09→ | 43 | MANDO | 6259-G | 11243 | P-424801 | 1 | 48,9 |
| | (SM) SERIES | 02-01→ | 8 | MANDO | 30149-G | | | | |
| | (SM) SERIES | 02-01→ | 15,9 | NABCO | 4833-G | | | | |

SANTAMO

| | | | | | | | | | |
|--|------------------------------|--------|----|-------|----------------|-------|----------|---|------|
| | ALL TYPES | 05-99→ | 43 | MANDO | 3604-G | 10785 | P-434901 | 2 | 48,9 |
| | ALL TYPES | 05-99→ | 10 | MANDO | 30080-G | | | | |
| | ALL TYPES (VENTILATED DISCS) | 05-99→ | 34 | MANDO | 4693-G | 10709 | P-344602 | 1 | 46 |

SCOUPE

| | | | | | | | | | |
|--|-------------------------|-------------|------|--------|----------------|-------|----------|---|----|
| | ALL TYPES | 04-92→ | 22,2 | | 3531-G | | | | |
| | ALL TYPES | 02-90→12-92 | 22,2 | | 3534-G | | | | |
| | ALL TYPES (SOFT BOOT) | 02-90→05-96 | 54 | MANDO | 3537-G | 10627 | P-544904 | 1 | 49 |
| | ALL TYPES (HARD BOOT) | 02-90→05-96 | 54 | TOKICO | 4301-G | | | | |
| | ALL TYPES | 02-90→05-96 | 10 | MANDO | 30060-G | | | | |
| | ALL TYPES | 02-90→05-96 | 13 | TOKICO | 30097-G | | | | |
| | 1.5 GS | 02-90→12-92 | 20,6 | LUCAS | 3031-G | | | | |
| | 1.5i | 04-92→05-96 | 20,6 | | 3533-G | | | | |
| | ALL TYPES EXCEPT 1.5 GS | 02-90→05-96 | 20,6 | LUCAS | 4250-G | | | | |
| | ALL TYPES | →12-92 | 15,9 | | 3976-G | | | | |
| | ALL TYPES | →05-96 | 15,9 | | 3978-G | | | | |
| | ALL TYPES | | 20,6 | | 3529-G | | | | |



Master Cylinder



Front Caliper



Front Wheel Cylinder



Clutch Master Cylinder



Front Caliper Guides



Pressure Regulating Valve



Rear Caliper



Rear Wheel Cylinder



Clutch Slave Cylinder



Rear Caliper Guides

Ø
(mm.)

VERSION



HYUNDAI

6 of 7

SOLARIS

| | | | | | | | | | |
|--|-----------|--------|-----|-------|----------------|-------|----------|---|----|
| | ALL TYPES | 01-11→ | 54 | MANDO | 3565-G | 10891 | P-545104 | 1 | 51 |
| | ALL TYPES | 01-11→ | 9,9 | MANDO | 30061-G | | | | |
| | ALL TYPES | 01-11→ | 34 | MANDO | 6374-G | 11551 | P-344707 | 1 | 47 |
| | ALL TYPES | 01-11→ | 8 | MANDO | 30128-G | | | | |

SONATA

| | | | | | | | | | |
|--|-------------------------------------|-------------|------|-------|----------------|-------|----------|---|------|
| | I - II SERIES 1.8 - 2.0 (-ABS) | | 23,8 | | 3536-G | | | | |
| | I - II SERIES 1.8 - 2.0 (ABS) | →00-98 | 23,8 | LUCAS | 4136-G | | | | |
| | III SERIES (ABS) | 01-98→ | | | | | | | |
| | II SERIES 3.0 | 01-91→ | 25,4 | | 3535-G | | | | |
| | III - IV SERIES | 06-98→11-04 | 25,4 | MANDO | 4958-G | | | | |
| | I - II - III - IV SERIES | 09-88→11-04 | 57 | MANDO | 4305-G | 10943 | P-575103 | 1 | 51,2 |
| | V SERIES | 01-05→ | 60 | MANDO | 4910-G | 10989 | P-605101 | 1 | 51,5 |
| | VI SERIES | 01-09→ | 60 | KASKO | 6325-G | 11469 | P-605105 | 1 | 51 |
| | III - IV SERIES | 06-98→11-04 | 10 | MANDO | 30012-G | | | | |
| | I - II SERIES (-ABS) | | 19 | | 3071-G | | | | |
| | II SERIES (-ABS) | 01-94→01-98 | 19 | | 4177-G | | | | |
| | III - IV - V SERIES 2.0 - 2.4 - 2.5 | 06-98→ | 34 | MANDO | 4693-G | 10709 | P-344602 | 1 | 46 |
| | VI SERIES | 01-09→ | 34 | KASKO | 6154-G | 11547 | P-344705 | 1 | 47,5 |
| | II SERIES (ABS) | 01-91→ | 38 | LUCAS | 3540-G | 10606 | P-384601 | 1 | 46,8 |
| | | | | | | 11164 | K-384601 | 1 | 46,8 |
| | I - II SERIES | | 15,9 | | 3521-G | | | | |
| | I - II - III SERIES | | 20,6 | | 3529-G | | | | |

STELLAR

| | | | | | | | | | |
|--|-----|-------------|------|-------------|---------------|--|--|--|--|
| | 1.6 | 01-84→ | 20,6 | LUCAS | 3960-G | | | | |
| | 1.6 | 01-84→ | 54 | ATE - LUCAS | 4337-G | | | | |
| | 1.6 | 10-83→12-91 | 17,5 | LUCAS | 3072-G | | | | |

TERRACAN

| | | | | | | | | | |
|--|-----------|-------------|----|-------|----------------|-------|----------|---|------|
| | ALL TYPES | 12-01→12-03 | 43 | MANDO | 3604-G | 10785 | P-434901 | 2 | 48,9 |
| | ALL TYPES | 01-04→ | 43 | MANDO | 6181-G | 11258 | P-434901 | 2 | 48,9 |
| | ALL TYPES | 12-01→ | 10 | MANDO | 30012-G | | | | |
| | ALL TYPES | 12-01→ | 43 | MANDO | 4899-G | 10784 | P-434901 | 1 | 48,9 |

TRAJET

| | | | | | | | | | |
|--|-----------|--------|----|-------|----------------|-------|----------|---|------|
| | ALL TYPES | 03-00→ | 43 | MANDO | 3604-G | 10785 | P-434901 | 2 | 48,9 |
| | ALL TYPES | 03-00→ | 10 | MANDO | 30012-G | | | | |
| | ALL TYPES | 01-02→ | 38 | MANDO | 4358-G | 10735 | P-384903 | 1 | 49,4 |

TUCSON

| | | | | | | | | | |
|--|-----------|--------|----|-------|----------------|-------|----------|---|------|
| | ALL TYPES | 08-04→ | 60 | MANDO | 4910-G | 10989 | P-605101 | 1 | 51,5 |
| | ALL TYPES | 08-04→ | 34 | MANDO | 4693-G | 10709 | P-344602 | 1 | 46 |
| | ALL TYPES | 08-04→ | 10 | MANDO | 30012-G | | | | |



Master Cylinder



Front Caliper



Front Wheel Cylinder



Clutch Master Cylinder



Front Caliper Guides



Pressure Regulating Valve



Rear Caliper



Rear Wheel Cylinder



Clutch Slave Cylinder



Rear Caliper Guides



∅
(mm.)

VERSION



HYUNDAI

7 of 7

VELOSTER

| | | | | | | | | | |
|--|-----------|--------|----|-------|----------------|-------|----------|---|------|
| | 1.6GDI | 03-11→ | 57 | KASKO | 6035-G | | | | |
| | 1.6GDI | 03-11→ | 57 | KASKO | 6315-G | 11428 | P-575103 | 1 | 51,2 |
| | 1.6GDI | 03-11→ | 34 | KASKO | 6180-G | 11553 | P-344706 | 1 | 47,2 |
| | ALL TYPES | 03-11→ | 34 | MOBIS | 6229-G | 11557 | P-344706 | 1 | 47,2 |
| | ALL TYPES | 03-11→ | 10 | KASKO | 30145-G | 11067 | P-344706 | 1 | 47,2 |

XG

| | | | | | | | | | |
|--|---------------|-------------|----|-------|----------------|-------|----------|---|------|
| | 25 - 30 - 300 | 01-99→ | 43 | MANDO | 3604-G | 10785 | P-434901 | 2 | 48,9 |
| | ALL TYPES | 01-99→ | 10 | MANDO | 30012-G | | | | |
| | 25 - 30 - 300 | 01-99→ | 34 | MANDO | 4693-G | 10709 | P-344602 | 1 | 46 |
| | ALL TYPES | 12-98→12-05 | 8 | MANDO | 30149-G | | | | |



Master Cylinder



Front Caliper



Front Wheel Cylinder



Clutch Master Cylinder



Front Caliper Guides



Pressure Regulating Valve



Rear Caliper



Rear Wheel Cylinder



Clutch Slave Cylinder



Rear Caliper Guides



∅
(mm.)

VERSION



INFINITI

1 of 1

EX

| | | | | | |
|--|----------|--------|----|--------|---------------|
| | 30D - 37 | 10-08→ | 45 | NISSAN | 6378-G |
|--|----------|--------|----|--------|---------------|

FX

| | | | | | |
|--|-----|--------|----|--------|---------------|
| | AWD | 01-03→ | 45 | NISSAN | 6378-G |
|--|-----|--------|----|--------|---------------|

G

| | | | | | |
|--|------------|--------|----|--------|----------------|
| | 37 - 37x | 09-07→ | 45 | NISSAN | 6378-G |
| | (HV36) G37 | 06-09→ | 14 | NISSAN | 30167-G |

M

| | | | | | |
|--|-------|--------|----|--------|---------------|
| | (Y51) | 03-10→ | 45 | NISSAN | 6378-G |
|--|-------|--------|----|--------|---------------|

Q70

| | | | | | |
|--|-----------|--------|----|--------|---------------|
| | ALL TYPES | 03-13→ | 45 | NISSAN | 6378-G |
|--|-----------|--------|----|--------|---------------|

QX4

| | | | | | |
|--|-----------|--------|-----|---------|----------------|
| | ALL TYPES | 01-97→ | 9,8 | AKEBONO | 30039-G |
|--|-----------|--------|-----|---------|----------------|

QX56

| | | | | | | | | | |
|--|----------------|-------------|----|--------|---------------|-------|----------|---|------|
| | ALL TYPES JA60 | 01-04→08-05 | 51 | NISSAN | 6366-G | 11819 | P-515201 | 2 | 52,5 |
| | ALL TYPES JA60 | 08-06→ | 51 | NISSAN | 6368-G | 11820 | P-515501 | 2 | 55 |



Master Cylinder



Front Caliper



Front Wheel Cylinder



Clutch Master Cylinder



Front Caliper Guides



Pressure Regulating Valve



Rear Caliper



Rear Wheel Cylinder



Clutch Slave Cylinder



Rear Caliper Guides



∅
(mm.)

VERSION



ISUZU

1 of 4

CAMPO

| | | | | | | | | | |
|--------------------------------|-------------|-------------|------|---------|----------------|-------|----------|---|------|
| | (KB) SERIES | 01-83→12-90 | 15 | AKEBONO | 30105-G | | | | |
| CHEVROLET LUV PICK - UP | | | | | | | | | |
| | ALL TYPES | 01-79→01-86 | 22,2 | | 10200 | | | | |
| | ALL TYPES | 01-79→01-86 | 22,2 | | 4356-G | | | | |
| | ALL TYPES | 01-76→01-78 | 22,2 | | 4414-G | | | | |
| | ALL TYPES | 01-88→ | 23,8 | | 3506-G | | | | |
| | ALL TYPES | 01-76→01-80 | 27 | | 4174-G | | | | |
| | ALL TYPES | 01-81→01-83 | 54 | AKEBONO | 3440-G | 11393 | P-544501 | 1 | 45 |
| | ALL TYPES | 01-84→08-86 | 57 | AKEBONO | 3441-G | 11434 | P-574503 | 1 | 45,5 |
| | ALL TYPES | 01-79→01-80 | 57 | | 4270-G | | | | |
| | ALL TYPES | 01-88→01-90 | 60 | AKEBONO | 4271-G | 10980 | P-604601 | 1 | 46,6 |
| | ALL TYPES | 01-76→01-80 | 20,6 | | 3875-G | | | | |
| | ALL TYPES | 01-81→ | 25,4 | | 10197-G | | | | |
| | ALL TYPES | 01-88→01-91 | 15,9 | | 3956-G | | | | |
| | ALL TYPES | 01-76→01-77 | 15,9 | | 3985-G | | | | |
| | ALL TYPES | 01-76→01-77 | 19 | | 4185-G | | | | |
| | 2.3 - 2.5D | 01-88→ | 20,6 | | 4176-G | | | | |
| | ALL TYPES | 01-90→ | 22,2 | | 3338-G | | | | |
| | 2.6 | 01-89→ | | | | | | | |

D-MAX

| | | | | | | | | | |
|--|--------------------------|--------|------|---------|---------------|-------|----------|---|------|
| | 2.4 4x4 | 05-02→ | 25,4 | | 6210-G | | | | |
| | 4x2 SERIES (2 PISTONS) | 01-07→ | 43 | | 6139-G | | | | |
| | 4x4 SERIES | 01-07→ | 45 | | 6120-G | 11770 | P-455303 | 2 | 53,6 |
| | (8HD) 2.4 - 2.5D - 3.5V6 | →05-03 | 60 | AKEBONO | 4271-G | 10980 | P-604601 | 1 | 46,6 |



Master Cylinder



Front Caliper



Front Wheel Cylinder



Clutch Master Cylinder



Front Caliper Guides



Pressure Regulating Valve



Rear Caliper



Rear Wheel Cylinder



Clutch Slave Cylinder



Rear Caliper Guides



∅
(mm.)

VERSION



ISUZU

2 of 4

ELF

| | | | | | |
|--|-------------------------------------|-------------|-------|--------|---------------|
| | 150 | 01-87→ | 25,4 | | 3260-G |
| | 250 (DOBLE CIRCUIT) | 01-74→01-84 | 25,4 | TOKICO | 3995-G |
| | 250 (SIMPLE CIRCUIT) | 01-71→01-73 | 25,4 | | 4123-G |
| | NPR 57 - 58 - 59 (6TON) | 01-89→ | 28,6 | | 4111-G |
| | 250 - 350 | 01-80→01-84 | 28,6 | | 4345-G |
| | COMERCIAL NPR57-58-59 (DRUM - DRUM) | 01-85→01-89 | 28,6 | | 4553-G |
| | 3600 - 3900 | 01-91→01-93 | 31,75 | | 6189-G |
| | 350 | 01-80→01-84 | 27 | | 4201-G |
| | NPR 59 (6 TON) | 01-85→ | | | |
| | 250 | 01-75→01-84 | 28,6 | | 4222-G |
| | 250 | 01-67→01-75 | 28,6 | | 4230-G |
| | NPR 57 - 58 | 01-85→ | | | |
| | 150 | 01-87→ | | | |
| | NPR 59 EXCEPT 6 TON | 01-85→ | 30 | | 4198-G |
| | 250 | 01-75→01-84 | 22,2 | | 4196-G |
| | 150 | 01-87→ | | | |
| | 250 | 01-67→01-84 | 25,4 | | 4200-G |
| | NPR 57 - 58 | 01-85→ | | | |
| | 350 | 01-80→01-84 | 27 | | 4201-G |
| | NPR 59 (6 TON) | 01-85→ | | | |
| | NPR 59 EXCEPT 6 TON | 01-85→ | 30 | | 4199-G |
| | 250 | 01-78→01-84 | 15,9 | | 3985-G |
| | 150 | 01-87→ | 19 | | 3987-G |
| | NPR 57 - 58 - 59 (-SERVO) | 01-85→ | | | |
| | NPR 57 - 58 - 59 (SERVO) | 01-85→01-90 | 20,6 | | 4112-G |
| | NPR 57 - 58 - 59 (SERVO) | 01-91→ | 20,6 | | 4113-G |
| | NPR 57 | 01-85→01-87 | 27 | | 4237-G |

FARGO

| | | | | | |
|--|-----------|-------------|------|--|---------------|
| | ALL TYPES | 01-82→ | 22,2 | | 10200 |
| | ALL TYPES | 01-82→ | 22,2 | | 4356-G |
| | ALL TYPES | 01-82→ | 57 | | 3340-G |
| | ALL TYPES | 01-82→ | 15,9 | | 3985-G |
| | ALL TYPES | 01-82→01-85 | 19 | | 4185-G |
| | ALL TYPES | 01-90→ | 22,2 | | 3338-G |



Master Cylinder



Front Caliper



Front Wheel Cylinder



Clutch Master Cylinder



Front Caliper Guides



Pressure Regulating Valve



Rear Caliper



Rear Wheel Cylinder



Clutch Slave Cylinder



Rear Caliper Guides

Ø
(mm.)

VERSION



ISUZU

3 of 4

FASTER (PICK-UP - KB - KBG - KBD)

| | | | | | | | | | |
|--|-----------|-------------|------|----------------|---------|-------|----------|---|------|
| | ALL TYPES | 01-79→01-87 | 22,2 | | 10200 | | | | |
| | ALL TYPES | 01-78→01-87 | 22,2 | | 4356-G | | | | |
| | ALL TYPES | 01-76→01-78 | 22,2 | | 4414-G | | | | |
| | ALL TYPES | 01-88→ | 23,8 | | 3506-G | | | | |
| | ALL TYPES | 01-76→01-80 | 27 | | 4174-G | | | | |
| | ALL TYPES | 01-81→01-83 | 54 | AKEBONO | 3440-G | 11393 | P-544501 | 1 | 45 |
| | ALL TYPES | 01-84→08-87 | 57 | AKEBONO | 3441-G | 11434 | P-574503 | 1 | 45,5 |
| | ALL TYPES | 01-79→01-80 | 57 | | 4270-G | | | | |
| | ALL TYPES | 01-90→ | 60 | AKEBONO | 3507-G | | | | |
| | ALL TYPES | 01-88→01-90 | 60 | AKEBONO | 4271-G | 10980 | P-604601 | 1 | 46,6 |
| | ALL TYPES | →01-80 | 20,6 | BEDNIX - BOSCH | 3101-G | | | | |
| | ALL TYPES | 01-84→08-87 | 22,2 | | 3333-G | | | | |
| | ALL TYPES | 01-81→ | 23,8 | | 4157-G | | | | |
| | ALL TYPES | 01-81→01-83 | 25,4 | | 10197-G | | | | |
| | ALL TYPES | 01-88→ | 15,9 | | 3956-G | | | | |
| | ALL TYPES | 01-76→01-80 | 15,9 | | 3985-G | | | | |
| | ALL TYPES | 01-76→01-80 | 19 | | 4185-G | | | | |
| | ALL TYPES | 01-88→01-89 | 20,6 | | 4176-G | | | | |
| | ALL TYPES | 01-89→ | 22,2 | | 3338-G | | | | |

FORWARD

| | | | | | | | | | |
|--|-----------------------|-------------|-------|--|--------|--|--|--|--|
| | 5800D | 01-86→01-91 | 36,51 | | 4864-G | | | | |
| | JBR - JCR | 01-79→01-84 | 44 | | 4608-G | | | | |
| | SBR - SCR - JBR - JCR | 01-76→01-84 | 22,2 | | 3988-G | | | | |

GEMINI

| | | | | | | | | | |
|--|-----------------------|-------------|------|-------|--------|--|--|--|--|
| | ALL TYPES (LHD) | 01-86→01-88 | 20,6 | | 4106-G | | | | |
| | ALL TYPES (RHD) | 01-86→01-88 | 20,6 | | 4536-G | | | | |
| | ALL TYPES | 01-80→01-85 | 22,2 | | 10200 | | | | |
| | ALL TYPES | 01-80→01-85 | 22,2 | | 4356-G | | | | |
| | ALL TYPES (2 PISTONS) | 01-80→01-85 | 48 | LUCAS | 2643-G | | | | |
| | ALL TYPES | 01-86→01-88 | 17,5 | | 4186-G | | | | |
| | ALL TYPES | 01-80→01-85 | 17,5 | | 4216-G | | | | |

IMPULSE

| | | | | | | | | | |
|--|-----------------|-------------|----|---------|--------|-------|----------|---|----|
| | ALL TYPES (USA) | 01-83→01-85 | 54 | AKEBONO | 4512-G | | | | |
| | ALL TYPES (USA) | 01-83→01-85 | 38 | AKEBONO | 4444-G | 11130 | P-384602 | 1 | 46 |

JBR TRUCK

| | | | | | | | | | |
|--|-----------|-------------|----|--|--------|--|--|--|--|
| | 420 - 500 | 01-76→01-79 | 44 | | 4609-G | | | | |
|--|-----------|-------------|----|--|--------|--|--|--|--|

JCR TRUCK

| | | | | | | | | | |
|--|-----------------|-------------|----|--|--------|--|--|--|--|
| | 360 - 420 - 500 | 01-76→01-78 | 44 | | 4609-G | | | | |
|--|-----------------|-------------|----|--|--------|--|--|--|--|

MIDI

| | | | | | | | | | |
|--|-----------|--------|----|----------|--------|-------|----------|---|----|
| | ALL TYPES | 00-86→ | 57 | SUMITOMO | 4730-G | 11415 | P-574602 | 1 | 46 |
|--|-----------|--------|----|----------|--------|-------|----------|---|----|

N SERIES

| | | | | | | | | | |
|--|---|--------|-------|--|--------|--|--|--|--|
| | 300 - 400 - 66P - 75L - P - T - 85L - 85P | 10-06→ | 31,75 | | 6189-G | | | | |
|--|---|--------|-------|--|--------|--|--|--|--|



Master Cylinder



Front Caliper



Front Wheel Cylinder



Clutch Master Cylinder



Front Caliper Guides



Pressure Regulating Valve



Rear Caliper



Rear Wheel Cylinder



Clutch Slave Cylinder



Rear Caliper Guides

Ø
(mm.)

VERSION



ISUZU

4 of 4

PIAZZA

| | | | | | | | | | |
|--|-----------|--------|----|---------|--------|--|--|--|--|
| | ALL TYPES | 01-81→ | 54 | AKEBONO | 4512-G | | | | |
| | ALL TYPES | 01-81→ | 38 | AKEBONO | 4580-G | | | | |

SETA

| | | | | | | | | | |
|--|-----------|-------------|------|---------|---------|-------|----------|---|----|
| | ALL TYPES | 01-76→01-80 | 22,2 | | 10200 | | | | |
| | ALL TYPES | 01-76→01-80 | 22,2 | | 4356-G | | | | |
| | ALL TYPES | 01-81→01-83 | 54 | AKEBONO | 3440-G | 11393 | P-544501 | 1 | 45 |
| | ALL TYPES | 01-84→08-87 | 22,2 | | 3333-G | | | | |
| | ALL TYPES | 01-76→01-80 | 15,9 | | 10198-G | | | | |
| | ALL TYPES | | 19 | | 3156-G | | | | |

TD TRUCK

| | | | | | | | | | |
|--|-------|-------------|----|--|--------|--|--|--|--|
| | 8 TON | 01-69→01-79 | 44 | | 4609-G | | | | |
|--|-------|-------------|----|--|--------|--|--|--|--|

TDX

| | | | | | | | | | |
|--|--------------|-------------|----|--|--------|--|--|--|--|
| | 6 TON | 01-69→01-79 | 44 | | 4609-G | | | | |
| | 6 TON DIESEL | 01-80→ | 44 | | 4608-G | | | | |

TROOPER

| | | | | | | | | | |
|--|-------------------------|-------------|------|-----------|---------|-------|----------|---|------|
| | ALL TYPES | 01-83→01-86 | 22,2 | | 10200 | | | | |
| | ALL TYPES | 01-84→08-86 | 22,2 | | 4356-G | | | | |
| | 2.3 - 2.2D | 01-87→ | 23,8 | | 3506-G | | | | |
| | 2.6 - 2.8 D | 01-88→ | 25,4 | | 3977-G | | | | |
| | 2.6 - 2.8 D | 01-88→ | 25,4 | | 4871-G | | | | |
| | (UBS) SERIES | 01-83→12-91 | 54 | AKEBONO | 3440-G | 11393 | P-544501 | 1 | 45 |
| | (UBS) SERIES | 01-83→12-91 | 57 | AKEBONO | 3441-G | 11434 | P-574503 | 1 | 45,5 |
| | (UB) SERIES | 08-91→04-00 | 60 | AKEBONO | 3507-G | | | | |
| | (UB) SERIES (DISC 22MM) | 08-91→04-00 | 60 | AKEBONO | 4271-G | 10980 | P-604601 | 1 | 46,6 |
| | (UBS) SERIES | 01-83→12-91 | | | | | P-604601 | 1 | 46,6 |
| | (UB) SERIES (DISC 26MM) | 08-91→04-00 | 60 | AKEBONO | 4272-G | 10981 | P-604601 | 1 | 46,6 |
| | (UB) 3.2 | 08-91→07-98 | 11 | AKEBONO | 30087-G | | | | |
| | (UBS) SERIES | 01-83→12-91 | 15 | AKEBONO | 30105-G | | | | |
| | ALL TYPES | →12-89 | 22,2 | | 3333-G | | | | |
| | ALL TYPES | | 25,4 | | 10197-G | | | | |
| | ALL TYPES | 01-87→01-90 | 42 | NISSHINBO | 4264-G | 11693 | P-414301 | 1 | 44 |
| | | | | | | 11697 | K-414301 | 1 | 44 |
| | ALL TYPES | 01-90→ | 42 | NISSHINBO | 4455-G | 11694 | P-414301 | 1 | 44 |
| | | | | | | 11698 | K-414301 | 1 | 44 |
| | ALL TYPES | 01-90→ | 8 | NISSHINBO | 30005-G | | | | |
| | ALL TYPES | | 15,9 | | 3956-G | | | | |
| | ALL TYPES | 01-88→ | 22,2 | | 3338-G | | | | |



Master Cylinder



Front Caliper



Front Wheel Cylinder



Clutch Master Cylinder



Front Caliper Guides



Pressure Regulating Valve



Rear Caliper



Rear Wheel Cylinder



Clutch Slave Cylinder



Rear Caliper Guides

Ø
(mm.)

VERSION



IVECO

1 of 3

115 - 135 - 145 - 190 - 260 - 330 - MAGIRUS

| | | | | |
|--|---------------------|------|----------------|---------------|
| | 260 - MAGIRUS - 330 | 23,8 | FAG | 3227-G |
| | 115 - 135 - 145 | 25,4 | BEDNIX - BOSCH | 3202-G |
| | 190 | 31,8 | BEDNIX - BOSCH | 3307-G |
| | ALL TYPES | 38,1 | FAG | 3273-G |
| | ALL TYPES | 38,1 | BEDNIX - BOSCH | 4158-G |

DAILY (I SERIES) 06-78→12-89

| | | | | | |
|--|-------------------------|-------------|------|----------------|-------------------------------------|
| | ALL TYPES | 06-78→12-89 | 20,6 | BEDNIX - BOSCH | 3193-G |
| | ALL TYPES | 06-78→12-89 | 22,2 | AP LOCKHEED | 10183-G |
| | ALL TYPES | 06-78→12-89 | 22,2 | BEDNIX - BOSCH | 3194-G |
| | 45 - 10 - 49 - 10 | 06-78→12-89 | 25,4 | BEDNIX - BOSCH | 3301-G |
| | ALL TYPES | 06-78→12-89 | 41 | AP LOCKHEED | 3569-G 10524 P-413401 4 34,2 |
| | ALL TYPES | 06-78→12-89 | 42 | BREMBO | 3192-G 10776 P-423501 4 35,7 |
| | ALL TYPES | 06-78→12-89 | 44 | PERROT | 3459-G 10796 P-443401 4 34,6 |
| | ALL TYPES | 06-78→12-89 | 44 | BREMBO | 4529-G 10798 P-443401 4 34,6 |
| | 30 - 8 | 06-78→12-89 | 15,9 | AP LOCKHEED | 3195-G |
| | ALL TYPES EXCEPT 30 - 8 | 06-78→12-89 | 17,5 | AP LOCKHEED | 3196-G |

DAILY (II SERIES) 01-90→05-99

| | | | | | |
|--|-----------------------------|-------------|------|----------------|-------------------------------------|
| | ALL TYPES | 01-90→ | 25,4 | BEDNIX - BOSCH | 3961-G |
| | ALL TYPES | 01-96→05-99 | 25,4 | BEDNIX - BOSCH | 4690-G |
| | 45 - 10 - 49 - 10 - 49 - 12 | 01-90→05-99 | 27 | BEDNIX - BOSCH | 4105-G |
| | ALL TYPES | | 22,2 | BEDNIX - BOSCH | 2606-G |
| | ALL TYPES | 01-90→05-99 | 42 | BREMBO | 3192-G 10776 P-423501 4 35,7 |
| | ALL TYPES | 01-90→05-99 | 44 | BREMBO | 4637-G 10699 P-446101 2 61 |
| | ALL TYPES | 01-90→05-99 | 50 | PERROT | 4956-G 11812 P-503801 4 38 |
| | ALL TYPES | | 20,6 | FAG | 4175-G |
| | ALL TYPES | | 22,2 | BEDNIX - BOSCH | 2606-G |
| | ALL TYPES | 01-90→05-99 | 44 | BREMBO | 4637-G 10699 P-446101 2 61 |
| | ALL TYPES | 01-90→05-99 | 18 | BREMBO | 30032-G |
| | ALL TYPES | | 19 | BEDNIX - BOSCH | 2776-G |

DAILY (III SERIES) 06-99→05-06

| | | | | | |
|--|-------------------------------------|-------------|----|--------|---|
| | ALL TYPES | 06-99→05-09 | 42 | BREMBO | 4919-G 11705 P-425301 2 53,2 |
| | ALL TYPES | 06-99→05-06 | 44 | BREMBO | 4920-G 10700 P-446101 2 61 |
| | 29L - 35S | 01-04→05-06 | | | 11756 P-445502 2 55 |
| | 35C14 | 09-04→05-06 | 48 | BREMBO | 6052-G 11000 P-485901 2 59,5 |
| | 65C | 06-99→05-06 | 52 | BREMBO | 4947-G 11362 P-526001 2 60,5 |
| | ALL TYPES | 06-99→05-06 | 18 | BREMBO | 30032-G |
| | 29L - 65C (2 PISTONS) | 06-99→05-06 | 18 | BREMBO | 30033-G |
| | 35C11 - 35S11 (CAST IRON 225195100) | 06-99→05-06 | 44 | BREMBO | 4637-G 10699 P-446101 2 61 |
| | ALL TYPES | 06-99→05-06 | 44 | BREMBO | 4920-G 10700 P-446101 2 61 |
| | 65C | 06-99→05-06 | 46 | BREMBO | 4972-G 11308 P-465901 2 59,5 |
| | ALL TYPES | 06-99→05-06 | 52 | BREMBO | 4751-G 10875 P-526501 1 65 11822 K-526501-R 1 65 11821 K-526501-L 1 65 |
| | ALL TYPES | 06-99→05-06 | 18 | BREMBO | 30032-G |
| | 29L | 06-99→05-06 | 18 | BREMBO | 30035-G |



Master Cylinder



Front Caliper



Front Wheel Cylinder



Clutch Master Cylinder



Front Caliper Guides



Pressure Regulating Valve



Rear Caliper



Rear Wheel Cylinder



Clutch Slave Cylinder



Rear Caliper Guides

Ø
(mm.)

VERSION



IVECO

2 of 3

DAILY (IV SERIES) 06-06→09-11

| | | | | | | | | | |
|--|-----------------|-------------|----|--------|----------------|-------|------------|---|------|
| | ALL TYPES | 06-06→09-11 | 48 | BREMBO | 6052-G | 11000 | P-485901 | 2 | 59,5 |
| | 65C | 06-06→09-11 | 60 | BREMBO | 4311-G | | | | |
| | 65C (SOFT BOOT) | 06-06→09-11 | 60 | BREMBO | 6123-G | 11456 | P-606502 | 2 | 65 |
| | 65C | 06-06→09-11 | 60 | BREMBO | 6382-G | | | | |
| | 65C (HARD BOOT) | 06-06→09-11 | 60 | BREMBO | 6383-G | 11846 | P-606502 | 2 | 65 |
| | 50C | 06-06→09-11 | 44 | BREMBO | 4920-G | 10700 | P-446101 | 2 | 61 |
| | 65C | 06-06→09-11 | 48 | BREMBO | 6287-G | 11333 | P-486401 | 2 | 64 |
| | ALL TYPES | 06-06→09-11 | 52 | BREMBO | 4751-G | 10875 | P-526501 | 1 | 65 |
| | | | | | | 11822 | K-526501-R | 1 | 65 |
| | | | | | | 11821 | K-526501-L | 1 | 65 |
| | 35C | 06-06→09-11 | 60 | BREMBO | 6028-G | 10995 | P-606501 | 1 | 65 |
| | | | | | | 11833 | K-606501-R | 1 | 65 |
| | | | | | | 11832 | K-606501-L | 1 | 65 |
| | ALL TYPES | 06-06→09-11 | 18 | BREMBO | 30032-G | | | | |
| | IV SERIES | 06-06→ | 18 | BREMBO | 30034-G | | | | |

EUROCARGO

| | | | | | | | | | |
|--|---------------------------|--------|------|----------------|---------------|-------|----------|---|------|
| | ALL TYPES | | 31,8 | BEDNIX - BOSCH | 4144-G | | | | |
| | 65 - 75 | 10-91→ | 60 | GIRLING | 4310-G | 11461 | P-606301 | 2 | 63,3 |
| | 60 - 65 - 75 (HARD BOOT) | 01-91→ | 60 | BREMBO | 4311-G | | | | |
| | 60 - 65 - 75 (SOFT BOOT) | 01-91→ | 60 | BREMBO | 6123-G | 11456 | P-606502 | 2 | 65 |
| | 60 - 65 - 75 (HARD BOOT) | 01-91→ | 60 | BREMBO | 6382-G | | | | |
| | 60 - 65 - 75 (HARD BOOT) | 01-91→ | 60 | BREMBO | 6383-G | 11846 | P-606502 | 2 | 65 |
| | 80 - 95 - 100 (HARD BOOT) | | 68 | BREMBO | 4312-G | | | | |
| | 80 - 100 | 01-91→ | 68 | BREMBO | 4314-G | | | | |
| | 80 - 100 - 109 | 10-91→ | 68 | GIRLING | 4500-G | 11496 | P-686305 | 2 | 63 |
| | 80 - 100 | 01-91→ | 68 | BREMBO | 6069-G | 11492 | P-686501 | 2 | 65 |
| | 65 - 75 - 100 | 10-91→ | 60 | GIRLING | 4310-G | 11459 | P-606302 | 1 | 63,3 |
| | | | | | | | P-606301 | 1 | 63,3 |
| | 60 - 65 - 75 | 01-91→ | 60 | BREMBO | 6047-G | 11458 | P-606503 | 1 | 65 |
| | | | | | | | P-606502 | 1 | 65 |
| | 80 - 95 - 100 (HARD BOOT) | | 68 | BREMBO | 4312-G | | | | |
| | 65 - 80 - 100 - 109 | 10-91→ | 68 | GIRLING | 4500-G | 11497 | P-686305 | 1 | 63 |
| | | | | | | | P-686303 | 1 | 63 |
| | 80 - 100 | 01-91→ | 68 | BREMBO | 4949-G | 11495 | P-686502 | 1 | 65 |
| | | | | | | | P-686501 | 1 | 65 |
| | ALL TYPES | | 25,4 | BEDNIX - BOSCH | 4145-G | | | | |
| | ALL TYPES | | 38,1 | BEDNIX - BOSCH | 4252-G | | | | |

EUROSTAR - EUROTECH - TRAKKER

| | | | | | | | | | |
|--|-----------|-------------|-------|----------------|---------------|--|--|--|--|
| | ALL TYPES | | 31,8 | BEDNIX - BOSCH | 4146-G | | | | |
| | ALL TYPES | 01-83→01-93 | 44,45 | AP LOCKHEED | 4889-G | | | | |

MK80 - 13 - 80 - 16 - 80 - 9 - 90 - 13

| | | | | | | | | | |
|--|-----------|-------------|-------|-------------|---------------|--|--|--|--|
| | ALL TYPES | 01-83→01-93 | 44,45 | AP LOCKHEED | 4889-G | | | | |
|--|-----------|-------------|-------|-------------|---------------|--|--|--|--|



Master Cylinder



Front Caliper



Front Wheel Cylinder



Clutch Master Cylinder



Front Caliper Guides



Pressure Regulating Valve



Rear Caliper



Rear Wheel Cylinder



Clutch Slave Cylinder



Rear Caliper Guides



∅
(mm.)

VERSION



IVECO

3 of 3

ZETA

| | | | | |
|--|------------------------|------------------|----------------|---------------|
| | ALL TYPES | 25,4 | BEDNIX - BOSCH | 3961-G |
| | ALL TYPES | 01-83→01-91 28,6 | BEDNIX - BOSCH | 4104-G |
| | ALL TYPES | 27 | BEDNIX - BOSCH | 3197-G |
| | EXCEPT 109.14 | 23,8 | | 3198-G |
| | 109.14 | 31,8 | | 2599-G |
| | EXCEPT 109.14 | 19 | BEDNIX - BOSCH | 3199-G |
| | 109.14 | 19 | BEDNIX - BOSCH | 3210-G |
| | 60.10 - 79.10 | 19 | BEDNIX - BOSCH | 2776-G |
| | 79.14 - 95.14 - 109.14 | 19 | BEDNIX - BOSCH | 3211-G |



Master Cylinder



Front Caliper



Front Wheel Cylinder



Clutch Master Cylinder



Front Caliper Guides



Pressure Regulating Valve



Rear Caliper



Rear Wheel Cylinder



Clutch Slave Cylinder



Rear Caliper Guides



∅
(mm.)

VERSION



JAGUAR

1 of 3

E-TYPE

| | | | | | | | | | |
|--|------------------------|-------------|----|---------|---------------|-------|----------|---|----|
| | III SERIES | 03-71→04-75 | 40 | LUCAS | 6177-G | | | | |
| | II SERIES 4.2 | 07-68→05-71 | 54 | GIRLING | 6021-G | 10897 | P-542902 | 1 | 29 |
| | | | | | | | P-382803 | 2 | 29 |
| | II - III SERIES E-TYPE | 01-69→01-75 | 42 | LUCAS | 4456-G | 11714 | P-432901 | 2 | 29 |
| | I - II SERIES E-TYPE | 01-69→01-75 | 43 | LUCAS | 6263-G | 11726 | P-432901 | 2 | 29 |

S-TYPE

| | | | | | | | | | | |
|--|--------------|-------------|----|--------|----------------|-------|----------|----------|------|------|
| | ALL TYPES | 01-99→ | 38 | LUCAS | 4955-G | 11634 | P-455002 | 1 | 50 | |
| | | | | | | | P-385004 | 1 | 50 | |
| | R 4.2 V8 | 01-99→ | 38 | BREMBO | 6237-G | 11636 | P-443202 | 2 | 32 | |
| | | | | | | | P-383203 | 2 | 32 | |
| | ALL TYPES | 01-99→ | 10 | LUCAS | 30078-G | | | | | |
| | R4.2 V8 | 04-02→10-07 | 28 | BREMBO | 6217-G | 11524 | P-302901 | 2 | 29 | |
| | | | | | | | P-282901 | 2 | 29 | |
| | (CCX) SERIES | 01-99→10-04 | 43 | VARGAS | 6077-G | 10794 | P-425102 | 1 | 51,3 | |
| | | | | | | | 11751 | K-425102 | 1 | 51,3 |
| | (CCX) SERIES | 01-99→10-04 | 43 | VARGAS | 6265-G | | | | | |
| | ALL TYPES | 01-99→ | 10 | LUCAS | 30078-G | | | | | |

XF

| | | | | | | | | | |
|--|----------------------------------|--------|----|-----|---------------|-------|----------|---|------|
| | XFR 5.0 SUPERCHARGED (2 PISTONS) | 07-09→ | 42 | ATE | 6251-G | 11723 | P-425502 | 2 | 55,5 |
| | ALL TYPES | 03-08→ | 60 | ATE | 4565-G | 10963 | P-605502 | 1 | 55,5 |
| | ALL TYPES | 07-09→ | 60 | ATE | 6321-G | 11452 | P-605501 | 1 | 55,5 |
| | ALL TYPES | 03-08→ | 45 | ATE | 6167-G | 11771 | P-454901 | 1 | 49,7 |
| | | | | | | 11777 | K-454901 | 1 | 49,7 |



Master Cylinder



Front Caliper



Front Wheel Cylinder



Clutch Master Cylinder



Front Caliper Guides



Pressure Regulating Valve



Rear Caliper



Rear Wheel Cylinder



Clutch Slave Cylinder



Rear Caliper Guides

Ø
(mm.)

VERSION

**JAGUAR**

2 of 3

XJ - XJS

| | | | | | | | | | | |
|--|------------------------------------|-------------|------|-------------|----------------|-------|----------|----------|------|------|
| | XJ6 - XJ12 | 01-68→01-73 | 22,2 | LUCAS | 4614-G | | | | | |
| | XJ6 - XJ12 | 01-76→ | 23,8 | LUCAS | 3182-G | | | | | |
| | XJS COUPE | 01-76→01-77 | 23,8 | LUCAS | 4416-G | | | | | |
| | XJ12 5.3 SEDAN | 01-74→01-75 | | | | | | | | |
| | XJ6 - XJ8 | 04-03→ | 38 | LUCAS | 4955-G | 11634 | P-455002 | 1 | 50 | |
| | | | | | | | P-385004 | 1 | 50 | |
| | 8 4.2 SUPERCHARGED | 05-03→ | 38 | BREMBO | 6237-G | 11636 | P-443202 | 2 | 32 | |
| | | | | | | | P-383203 | 2 | 32 | |
| | 6 - 12 | 08-68→00-76 | 40 | LUCAS | 6177-G | | | | | |
| | XJ 5.0 V8 SUPERCHARGED (2 PISTONS) | 01-10→ | 42 | ATE | 6251-G | 11723 | P-425502 | 2 | 55,5 | |
| | XJ 6 - XJ12 | 01-73→ | 48 | LUCAS | 4418-G | 10616 | P-482901 | 4 | 29 | |
| | XJS COUPE | 01-83→01-95 | | | | | P-482901 | 4 | 29 | |
| | XJ SOVERING V12 | 01-85→01-93 | | | | | P-482901 | 4 | 29 | |
| | XJ | 09-89→ | 60 | ATE | 3133-G | 10974 | P-604901 | 1 | 49 | |
| | ALL TYPES | 10-86→ | 60 | LUCAS | 3135-G | 10592 | P-605301 | 1 | 53 | |
| | XJ (X351) | 01-10→ | 60 | ATE | 6321-G | 11452 | P-605501 | 1 | 55,5 | |
| | XJ X300 | 11-94→ | 12 | ATE | 30023-G | | | | | |
| | 4.2 | 05-03→ | 28 | BREMBO | 6217-G | 11524 | P-302901 | 2 | 29 | |
| | | | | | | | P-282901 | 2 | 29 | |
| | XJ6 2.9 - 3.6 - 4.0 | 01-86→ | 36 | LUCAS | 3257-G | 11610 | P-364001 | 1 | 40 | |
| | XJ (J40) | 08-89→11-94 | 36 | ATE | 3483-G | 10725 | P-364803 | 1 | 48 | |
| | XJ (X300) | 11-94→07-97 | | | | | P-364803 | 1 | 48 | |
| | ALL TYPES | 01-69→ | 42 | LUCAS | 4456-G | 11714 | P-432901 | 2 | 29 | |
| | XJ6 - XJ8 | 04-03→ | 43 | VARGAS | 6077-G | 10794 | P-425102 | 1 | 51,3 | |
| | | | | | | | 11751 | K-425102 | 1 | 51,3 |
| | ALL TYPES | 01-69→ | 43 | LUCAS | 6263-G | 11726 | P-432901 | 2 | 29 | |
| | XJ6 - XJ8 | 04-03→ | 43 | VARGAS | 6265-G | | | | | |
| | XJ | 01-10→ | 45 | ATE | 6167-G | 11771 | P-454901 | 1 | 49,7 | |
| | | | | | | | 11777 | K-454901 | 1 | 49,7 |
| | ALL TYPES | 04-03→ | 10 | LUCAS | 30078-G | | | | | |
| | XJ X300 | 11-94→ | 12 | ATE | 30023-G | | | | | |
| | ALL TYPES | | 17,5 | AP LOCKHEED | 2712-G | | | | | |
| | ALL TYPES | | 19 | AP LOCKHEED | 3951-G | | | | | |
| | ALL TYPES | | 22,2 | AP LOCKHEED | 2713-G | | | | | |

XK SERIES

| | | | | | | | | | | |
|--|---------------------------------|--------|----|-----|---------------|-------|----------|----------|------|------|
| | 5.0 XKR - 5.0 XKR-S (2 PISTONS) | 01-09→ | 42 | ATE | 6251-G | 11723 | P-425502 | 2 | 55,5 | |
| | 8 | 03-96→ | 60 | ATE | 3133-G | 10974 | P-604901 | 1 | 49 | |
| | XKR | | 45 | ATE | 6167-G | 11771 | P-454901 | 1 | 49,7 | |
| | | | | | | | 11777 | K-454901 | 1 | 49,7 |



Master Cylinder



Front Caliper



Front Wheel Cylinder



Clutch Master Cylinder



Front Caliper Guides



Pressure Regulating Valve



Rear Caliper



Rear Wheel Cylinder



Clutch Slave Cylinder



Rear Caliper Guides



∅
(mm.)

VERSION



JAGUAR

3 of 3

X-TYPE

| | | | | | | | | | |
|--|----------------------|--------|----|-------|----------------|-------|------------|---|------|
| | ALL TYPES | 06-01→ | 57 | BOSCH | 4643-G | 10949 | P-575304 | 1 | 53,6 |
| | ALL TYPES→ CH.E24053 | 06-01→ | 38 | BOSCH | 4661-G | 11643 | P-385103 | 1 | 51 |
| | | | | | | 11660 | K-385103-R | 1 | 51 |
| | | | | | | 11659 | K-385103-L | 1 | 51 |
| | ALL TYPES CH.E24054→ | 06-01→ | 38 | BOSCH | 4858-G | 10631 | P-384901 | 1 | 49 |
| | | | | | | 11617 | K-384901-R | 1 | 49 |
| | | | | | | 11616 | K-384901-L | 1 | 49 |
| | ALL TYPES | 06-01→ | 10 | BOSCH | 30014-G | | | | |



Master Cylinder



Front Caliper



Front Wheel Cylinder



Clutch Master Cylinder



Front Caliper Guides



Pressure Regulating Valve



Rear Caliper



Rear Wheel Cylinder



Clutch Slave Cylinder



Rear Caliper Guides

Ø
(mm.)

VERSION



JEEP

1 of 2

CHEROKEE

| | | | | | | | | | |
|--|-------------------------------|-------------|------|----------------|----------------|-------|----------|---|------|
| | I SERIES | | 23,8 | | 3579-G | | | | |
| | I SERIES | | 25,4 | | 3578-G | | | | |
| | SPORT | | 27 | LUCAS | 6213-G | | | | |
| | (KK) ALL TYPES (USA) | 01-10→ | 48 | | 11503 | 11503 | P-485505 | 2 | 55,5 |
| | I SERIES (X1 - XJ - SJ) | 10-84→ | 66 | TRW | 4295-G | 10996 | P-665201 | 1 | 52 |
| | I SERIES (X1 - XJ - SJ) | 10-84→ | 66 | TRW | 6099-G | | | | |
| | K1 (CKD) SERIES | 09-01→12-07 | 66 | LUCAS | 6136-G | 11485 | P-665301 | 1 | 54 |
| | (KK) 2.8 CDR 4x4 | 05-08→ | 66 | TRW | 6182-G | 11488 | P-665302 | 1 | 53,4 |
| | (XJ) 2.5TDI 4x4 | 10-96→09-01 | 14 | TRW | 30103-G | | | | |
| | I - II SERIES (9"DRUM) (-ABS) | 10-80→09-01 | 20,6 | | 2674-G | | | | |
| | (XJ) SERIES (10" DRUM) | | 22,2 | BEDNIX - BOSCH | 10279-G | | | | |
| | K1 (CKD) SERIES | 01-03→12-07 | 48 | KELSEY-HAYES | 10280-G | | | | |
| | (KK) ALL TYPES (USA) | 01-10→ | 48 | | 11502 | 11502 | P-485004 | 1 | 50,5 |
| | K1 (CKD) SERIES | 01-03→12-07 | 48 | KELSEY-HAYES | 6128-G | 11802 | P-484703 | 1 | 47,3 |
| | SPORT | 09-01→ | 48 | BEDNIX - BOSCH | 6165-G | 11805 | P-484703 | 1 | 47,3 |
| | K1 (CKD) SERIES | 01-08→12-09 | 48 | LUCAS | 6285-G | 11804 | P-484904 | 1 | 49,5 |
| | 2.5 TD | 01-88→01-93 | 17,5 | LUCAS | 4128-G | | | | |
| | (KJ) SERIES | 09-01→ | 17,5 | AP LOCKHEED | 4993-G | | | | |
| | 2.5L | 00-84→00-91 | 22,2 | LUCAS | 4245-G | | | | |

COMMANDER

| | | | | | | | | | |
|--|-----------|-------------|----|--------------|----------------|-------|----------|---|------|
| | ALL TYPES | 09-05→12-10 | 48 | KELSEY-HAYES | 6292-G | 11800 | P-485206 | 2 | 52,4 |
| | ALL TYPES | 09-05→12-10 | 14 | KELSEY-HAYES | 30103-G | | | | |

COMPASS

| | | | | | | | | | |
|--|-----------|--------|----|---------|----------------|-------|----------|---|------|
| | ALL TYPES | 08-06→ | 57 | AKEBONO | 6314-G | 11440 | P-574802 | 1 | 48 |
| | ALL TYPES | 08-06→ | 10 | AKEBONO | 30085-G | | | | |
| | ALL TYPES | 08-06→ | 35 | AKEBONO | 6230-G | 11093 | P-354502 | 1 | 45,8 |
| | ALL TYPES | 08-06→ | 10 | AKEBONO | 30074-G | | | | |

GRAND CHEROKEE

| | | | | | | | | | |
|--|-------------------------------------|-------------|------|--------------|----------------|-------|----------|---|------|
| | II SERIES (W1 - WJ - WG EUROPE) | 01-99→ | 47,5 | AKEBONO | 6057-G | 11788 | P-475901 | 2 | 59 |
| | (WK) ALL TYPES (USA) | 11-10→ | 48 | | 11503 | 11503 | P-485505 | 2 | 55,5 |
| | II SERIES (W1 - WJ - WG EUROPE) | 01-99→12-02 | 48 | ATE | 6002-G | 10848 | P-485204 | 2 | 52 |
| | III SERIES (W2 - WH - WK) | 05-05→ | 48 | KELSEY-HAYES | 6009-G | | | | |
| | II - III SERIES | 10-01→12-10 | 48 | KELSEY-HAYES | 6292-G | 11800 | P-485206 | 2 | 52,4 |
| | I SERIES (ZG EUROPE - ZJ - SJ - XJ) | 09-91→04-99 | 66 | TRW | 4295-G | 10996 | P-665201 | 1 | 52 |
| | I SERIES (ZG EUROPE - ZJ - SJ - XJ) | 09-91→04-99 | 66 | TRW | 6099-G | | | | |
| | I SERIES | 09-91→04-99 | 14 | TRW | 30103-G | | | | |
| | I SERIES (ZG EUROPE - ZJ) | 01-94→ | 48 | KELSEY-HAYES | 10280-G | | | | |
| | (WK) ALL TYPES (USA) | 11-10→ | 48 | | 11502 | 11502 | P-485004 | 1 | 50,5 |
| | II SERIES (W1 - WJ - WG EUROPE) | 01-99→ | 48 | ATE | 4776-G | 10846 | P-485204 | 1 | 52 |
| | III SERIES (W2 - WH - WK) | 01-04→ | 48 | KELSEY-HAYES | 6051-G | 11801 | P-485206 | 1 | 52,4 |
| | I SERIES (ZG EUROPE - ZJ) | 01-94→ | 48 | KELSEY-HAYES | 6128-G | 11802 | P-484703 | 1 | 47,3 |
| | II - III SERIES | 10-04→12-10 | 14 | KELSEY-HAYES | 30103-G | | | | |



Master Cylinder



Front Caliper



Front Wheel Cylinder



Clutch Master Cylinder



Front Caliper Guides



Pressure Regulating Valve



Rear Caliper



Rear Wheel Cylinder



Clutch Slave Cylinder



Rear Caliper Guides



∅
(mm.)

VERSION



JEEP

2 of 2

PATRIOT

| | | | | | | | | | |
|--|-----------|--------|----|---------|----------------|-------|----------|---|------|
| | ALL TYPES | 07-07→ | 57 | AKEBONO | 6314-G | 11440 | P-574802 | 1 | 48 |
| | ALL TYPES | 02-07→ | 10 | AKEBONO | 30085-G | | | | |
| | ALL TYPES | 02-07→ | 35 | AKEBONO | 6230-G | 11093 | P-354502 | 1 | 45,8 |
| | ALL TYPES | 02-07→ | 10 | AKEBONO | 30074-G | | | | |

WRANGLER

| | | | | | | | | | |
|--|----------------|-------------|------|--------------|----------------|-------|----------|---|------|
| | 4.2 | →01-89 | 23,8 | | 3579-G | | | | |
| | YJ SERIES | 08-86→12-91 | 25,4 | | 3578-G | | | | |
| | YJ - TJ SERIES | 01-88→12-06 | 66 | ATE | 4295-G | 10996 | P-665201 | 1 | 52 |
| | JK SERIES | 01-07→12-09 | 66 | TRW | 6182-G | 11488 | P-665302 | 1 | 53,4 |
| | TJ SERIES 4.0 | 08-96→12-06 | 14 | TRW | 30103-G | | | | |
| | YJ SERIES | 01-88→08-96 | 20,6 | | 2674-G | | | | |
| | TJ SERIES | 01-03→12-06 | 48 | KELSEY-HAYES | 10280-G | | | | |
| | TJ SERIES | 01-03→12-06 | 48 | KELSEY-HAYES | 6128-G | 11802 | P-484703 | 1 | 47,3 |
| | JK SERIES | 01-07→12-09 | 48 | LUCAS | 6285-G | 11804 | P-484904 | 1 | 49,5 |



Master Cylinder



Front Caliper



Front Wheel Cylinder



Clutch Master Cylinder



Front Caliper Guides



Pressure Regulating Valve



Rear Caliper



Rear Wheel Cylinder



Clutch Slave Cylinder



Rear Caliper Guides

Ø
(mm.)

VERSION



KIA

1 of 5

BESTA

| | | | | | | | | | |
|--|-------|--------|------|----------|---------------|-------|----------|---|----|
| | 2.2 D | 01-96→ | 60 | SUMITOMO | 4506-G | 10984 | P-604602 | 1 | 46 |
| | 2.2 D | 01-96→ | 17,5 | | 4216-G | | | | |
| | 2.2 D | 01-96→ | 15,9 | | 3774-G | | | | |
| | 2.2 D | 01-96→ | 19 | | 4226-G | | | | |
| | 2.2 D | 01-96→ | 19 | | 4376-G | | | | |

CARENS

| | | | | | | | | | |
|--|----------------------------|-------------|------|----------|----------------|-------|----------|---|------|
| | I SERIES 1.8 | 11-00→06-02 | 25,4 | KASKO | 4937-G | | | | |
| | I SERIES 1.8 | 11-00→06-02 | 57 | KPW | 4733-G | 11410 | P-574603 | 1 | 46,1 |
| | II SERIES (FJ) | 07-02→ | 57 | KASKO | 4916-G | 11411 | P-574603 | 1 | 46,1 |
| | III SERIES 2.0 CRDI - CVVT | 09-06→ | 60 | KASKO | 6121-G | 11460 | P-604602 | 1 | 46 |
| | II - III SERIES | 07-02→ | 9 | KASKO | 30009-G | | | | |
| | I SERIES | 11-00→07-02 | 11 | SUMITOMO | 30146-G | | | | |
| | I SERIES 1.8 | 11-00→07-02 | 34 | KPW | 4371-G | 10675 | P-344101 | 1 | 41 |
| | | | | | | 11569 | K-344101 | 1 | 41 |
| | I - II SERIES | 11-00→ | 38 | KASKO | 4912-G | 11127 | P-384102 | 1 | 41 |
| | | | | | | 11645 | K-384102 | 1 | 41 |
| | III SERIES (UN) | 09-06→ | 38 | KASKO | 6243-G | 11638 | P-384704 | 1 | 47 |
| | III SERIES | 05-06→ | 10 | KASKO | 30020-G | | | | |

CARNIVAL

| | | | | | | | | | |
|--|---------------------------|-------------|------|--------|----------------|-------|----------|---|------|
| | II SERIES | 10-01→ | 25,4 | SEIKEN | 4937-G | | | | |
| | ALL TYPES | 01-01→ | 46 | KASKO | 4752-G | | | | |
| | ALL TYPES | 01-01→ | 46 | KASKO | 6003-G | 10818 | P-464601 | 2 | 46,5 |
| | III SERIES 2.7 - 2.9 CRDI | 06-06→ | 51 | KASKO | 6147-G | 11351 | P-514601 | 2 | 46 |
| | I SERIES | 00-98→11-99 | 66 | KASKO | 4295-G | 10996 | P-665201 | 1 | 52 |
| | 2.5V6 - 2.9TD | 00-99→00-01 | 66 | KASKO | 4892-G | | | | |
| | 2.5V6 - 2.9 TD | 00-99→00-01 | 66 | KASKO | 6099-G | | | | |
| | I SERIES | 08-99→10-01 | 14 | KASKO | 30103-G | | | | |
| | III SERIES 2.7 - 2.9 | 06-06→ | 43 | KASKO | 6094-G | 11730 | P-434701 | 1 | 47 |
| | III SERIES | 06-06→ | 10 | KASKO | 30020-G | | | | |

CEE'D

| | | | | | | | | | |
|--|----------------------------------|--------|----|-------|----------------|-------|----------|---|------|
| | (ED) SERIES | 11-06→ | 57 | KASKO | 6035-G | | | | |
| | (ED) SERIES | 11-06→ | 57 | KASKO | 6315-G | 11428 | P-575103 | 1 | 51,2 |
| | (ED) SERIES | 11-06→ | 9 | KASKO | 30151-G | | | | |
| | (ED) SERIES | 11-06→ | 34 | KASKO | 6154-G | 11547 | P-344705 | 1 | 47,5 |
| | (JD) SERIES (ELECTRIC HANDBRAKE) | 05-12→ | 34 | MOBIS | 6228-G | | | | |
| | (ED) SERIES | 11-06→ | 10 | KASKO | 30020-G | | | | |



Master Cylinder



Front Caliper



Front Wheel Cylinder



Clutch Master Cylinder



Front Caliper Guides



Pressure Regulating Valve



Rear Caliper



Rear Wheel Cylinder



Clutch Slave Cylinder



Rear Caliper Guides

Ø
(mm.)

VERSION



KIA

2 of 5

CERATO

| | | | | | | | | | |
|--|------------------------------------|--------|------|-------|----------------|-------|----------|---|------|
| | 1.5 - 2.0 - CRDI | 04-04→ | 23,8 | MANDO | 4904-G | | | | |
| | ALL TYPES | 04-04→ | 57 | MANDO | 4829-G | 11425 | P-575103 | 1 | 51,2 |
| | ALL TYPES EXCEPT 1.6 (105HP) - 2.0 | 04-04→ | 9,9 | MANDO | 30061-G | | | | |
| | 1.6 (105HP) - 2.0 | 04-04→ | 10 | MANDO | 30076-G | | | | |
| | ALL TYPES | 04-04→ | 34 | MANDO | 3539-G | 11051 | P-344801 | 1 | 48 |
| | | | | | | 11560 | K-344801 | 1 | 48 |
| | ALL TYPES | 04-04→ | 34 | MANDO | 6017-G | | | | |
| | ALL TYPES | 04-04→ | 10 | MANDO | 30012-G | | | | |

CLARUS

| | | | | | | | | | |
|--|-----------|--------|------|----------|----------------|-------|----------|---|------|
| | ALL TYPES | 07-96→ | 23,8 | | 4796-G | | | | |
| | ALL TYPES | 07-96→ | 57 | ATE | 3391-G | 11430 | P-575403 | 1 | 54 |
| | ALL TYPES | 07-96→ | 57 | KPW | 4733-G | 11410 | P-574603 | 1 | 46,1 |
| | ALL TYPES | 07-96→ | 57 | KASKO | 4916-G | 11411 | P-574603 | 1 | 46,1 |
| | ALL TYPES | 07-96→ | 11 | SUMITOMO | 30146-G | | | | |
| | ALL TYPES | 07-96→ | 19 | | 4254-G | | | | |
| | ALL TYPES | 07-96→ | 34 | KPW | 4371-G | 11540 | P-344102 | 1 | 41 |

JOICE

| | | | | | | | | | |
|--|-----|--------|------|-------|----------------|-------|----------|---|----|
| | 2.0 | 02-00→ | 25,4 | MANDO | 4959-G | | | | |
| | 2.0 | 02-00→ | 54 | MANDO | 3565-G | 10891 | P-545104 | 1 | 51 |
| | 2.0 | 02-00→ | 34 | MANDO | 4693-G | 10709 | P-344602 | 1 | 46 |
| | 2.0 | 02-00→ | 8 | MANDO | 30149-G | | | | |

K2500 - K2700

| | | | | | | | | | |
|--|-------------|--------|----|----------|---------------|-------|----------|---|----|
| | 2.5D - 2.7D | 10-99→ | 60 | SUMITOMO | 4506-G | 10984 | P-604602 | 1 | 46 |
|--|-------------|--------|----|----------|---------------|-------|----------|---|----|

MAGENTIS

| | | | | | | | | | |
|--|---------------------|--------|------|-------|----------------|-------|----------|---|------|
| | (GD) 2.0 - 2.5V6 | 05-01→ | 25,4 | MANDO | 4958-G | | | | |
| | (GD) 2.0 - 2.5V6 | 05-01→ | 57 | MANDO | 4305-G | 10943 | P-575103 | 1 | 51,2 |
| | (GE) ALL TYPES | 10-05→ | 57 | MANDO | 4829-G | 11425 | P-575103 | 1 | 51,2 |
| | (GD - GE) ALL TYPES | 05-01→ | 10 | MANDO | 30012-G | | | | |
| | (GD - GE) ALL TYPES | 05-01→ | 34 | MANDO | 4693-G | 10709 | P-344602 | 1 | 46 |
| | (GD - GE) ALL TYPES | 05-01→ | 8 | MANDO | 30149-G | | | | |

OPIRUS

| | | | | | | | | | |
|--|-----------|--------|----|-------|----------------|-------|----------|---|------|
| | 3.8 V6 | 10-06→ | 60 | MANDO | 4910-G | 10989 | P-605101 | 1 | 51,5 |
| | ALL TYPES | 09-03→ | 10 | MANDO | 30012-G | | | | |
| | 3.8 V6 | 10-06→ | 34 | MANDO | 4693-G | 10709 | P-344602 | 1 | 46 |
| | ALL TYPES | 09-03→ | 8 | MANDO | 30149-G | | | | |

OPTIMA

| | | | | | | | | | |
|--|-----------|--------|-----|-------|----------------|--|--|--|--|
| | ALL TYPES | 03-12→ | 9,9 | MANDO | 30061-G | | | | |
|--|-----------|--------|-----|-------|----------------|--|--|--|--|



Master Cylinder



Front Caliper



Front Wheel Cylinder



Clutch Master Cylinder



Front Caliper Guides



Pressure Regulating Valve



Rear Caliper



Rear Wheel Cylinder



Clutch Slave Cylinder



Rear Caliper Guides



∅
(mm.)

VERSION



KIA

3 of 5

PICANTO

| | | | | | | | | | |
|--|----------------|--------|----|-------|----------------|-------|----------|---|------|
| | I SERIES | 04-04→ | 51 | KASKO | 4883-G | 11352 | P-514401 | 1 | 44,5 |
| | II SERIES | 05-11→ | 51 | MOBIS | 6298-G | 11360 | P-514601 | 1 | 46 |
| | II SERIES | 05-11→ | 16 | MOBIS | 30108-G | | | | |
| | I SERIES | 04-04→ | 16 | KASKO | 30113-G | | | | |
| | I SERIES | 04-04→ | 34 | KASKO | 4874-G | 11539 | P-344201 | 1 | 42,8 |
| | I SERIES | | | | | 11047 | P-344201 | 1 | 42,8 |
| | I SERIES (ABS) | | | | | 11568 | K-344201 | 1 | 42,8 |
| | II SERIES | 05-11→ | 34 | MOBIS | 6229-G | 11557 | P-344706 | 1 | 47,2 |
| | I SERIES | | | | | 11067 | P-344706 | 1 | 47,2 |
| | I SERIES | 04-04→ | 10 | KASKO | 30018-G | | | | |

PREGIO

| | | | | | | | | | |
|--|------------|--------|----|-------|----------------|-------|----------|---|------|
| | 2.5 - 2.7D | 01-97→ | 46 | KASKO | 4752-G | | | | |
| | 2.5 - 2.7D | 01-97→ | 46 | KASKO | 6003-G | 10818 | P-464601 | 2 | 46,5 |
| | 2.5 - 2.7D | 01-97→ | 10 | MANDO | 30012-G | | | | |

PRIDE

| | | | | | | | | | |
|--|-----------|--------|------|----------|----------------|-------|----------|---|----|
| | ALL TYPES | | 19 | | 3770-G | | | | |
| | ALL TYPES | 01-90→ | 48 | SUMITOMO | 4385-G | 10827 | P-484502 | 1 | 45 |
| | ALL TYPES | 01-90→ | 20 | SUMITOMO | 30119-G | | | | |
| | ALL TYPES | 01-90→ | 15,9 | | 3562-G | | | | |
| | ALL TYPES | 05-94→ | 15,9 | | 4323-G | | | | |

RETONA

| | | | | | | | | | |
|--|-----------|--------|------|----------|---------------|-------|----------|---|------|
| | ALL TYPES | 06-99→ | 23,8 | | 4559-G | | | | |
| | ALL TYPES | 06-99→ | 57 | SUMITOMO | 4730-G | | | | |
| | ALL TYPES | 06-99→ | 57 | KPW | 6016-G | 11412 | P-574603 | 1 | 46,1 |
| | ALL TYPES | 06-99→ | 15,9 | | 4147-G | | | | |
| | ALL TYPES | 06-99→ | 19 | | 4226-G | | | | |
| | ALL TYPES | 06-99→ | 19 | | 4376-G | | | | |



Master Cylinder



Front Caliper



Front Wheel Cylinder



Clutch Master Cylinder



Front Caliper Guides



Pressure Regulating Valve



Rear Caliper



Rear Wheel Cylinder



Clutch Slave Cylinder



Rear Caliper Guides

Ø
(mm.)

VERSION



KIA

4 of 5

RIO

| | | | | | | | | | |
|--|---------------------|--------|------|-------------|----------------|-------|----------|---|------|
| | I SERIES | 08-00→ | 22,2 | SEIKEN | 4790-G | | | | |
| | II SERIES | 03-05→ | 48 | | 6365-G | | | | |
| | I SERIES | 08-00→ | 51 | KPW | 4284-G | 10858 | P-514503 | 1 | 45 |
| | I SERIES | 08-00→ | 51 | KASKO - KPW | 6005-G | | | | |
| | I SERIES | 08-00→ | 51 | KASKO | 6293-G | 10874 | P-514503 | 1 | 45 |
| | I SERIES | 08-00→ | 54 | KASKO | 4827-G | 11389 | P-544603 | 1 | 46 |
| | I SERIES | 08-00→ | 54 | KASKO | 6010-G | | | | |
| | II SERIES | 03-05→ | 54 | KASKO | 6056-G | 11390 | P-544703 | 1 | 47,7 |
| | III SERIES | 09-11→ | 54 | MANDO | 6070-G | 10929 | P-545104 | 1 | 51 |
| | II SERIES | 03-05→ | 9 | KASKO | 30008-G | | | | |
| | III SERIES | 09-11→ | 9,9 | MANDO | 30061-G | | | | |
| | I SERIES | 08-00→ | 11 | SUMITOMO | 30146-G | | | | |
| | I SERIES | 08-00→ | 17,5 | | 3804-G | | | | |
| | II SERIES 1.5 - 1.6 | 03-05→ | 30,9 | KASKO | 4974-G | | | | |
| | II SERIES 1.5 - 1.6 | 03-05→ | 30,9 | KASKO | 6062-G | 11031 | P-314701 | 1 | 47,5 |
| | III SERIES | 09-11→ | 34 | MANDO | 6374-G | 11551 | P-344707 | 1 | 47 |
| | III SERIES | 09-11→ | 8 | MANDO | 30128-G | | | | |
| | II SERIES | 03-05→ | 10 | KASKO | 30020-G | | | | |

SEPHIA

| | | | | | | | | | |
|--|------------------|-------------|------|--------|----------------|-------|----------|---|------|
| | (FA) SERIES | 01-95→ | 22,2 | SEIKEN | 4790-G | | | | |
| | (FA - FB) SERIES | 01-95→ | 54 | ATE | 3073-G | 11383 | P-545403 | 1 | 54 |
| | (FA - FB) SERIES | 01-95→ | 12 | ATE | 30023-G | | | | |
| | (FB) SERIES | 03-96→ | 19 | | 4254-G | | | | |
| | (FA) SERIES | 01-95→05-00 | 33 | ATE | 4282-G | 11536 | P-332801 | 2 | 28,2 |
| | (FB) SERIES | 03-96→ | 34 | KPW | 4371-G | 10675 | P-344101 | 1 | 41 |
| | | | | | | 11569 | K-344101 | 1 | 41 |
| | (FB) SERIES | 03-96→ | 15,9 | | 4147-G | | | | |
| | (FA) SERIES | 01-95→ | 19 | | 4226-G | | | | |
| | (FA) SERIES | 01-95→ | 19 | | 4376-G | | | | |

SHUMA

| | | | | | | | | | |
|--|---------------|-------------|------|--------|---------------|-------|----------|---|------|
| | II SERIES | 12-01→05-04 | 22,2 | SEIKEN | 4790-G | | | | |
| | I SERIES | 10-97→12-01 | 54 | ATE | 3073-G | 11383 | P-545403 | 1 | 54 |
| | I - II SERIES | 10-97→05-04 | 54 | KASKO | 4827-G | 11389 | P-544603 | 1 | 46 |
| | I - II SERIES | 10-97→05-04 | 54 | KASKO | 6010-G | | | | |
| | II SERIES | 12-01→05-04 | 17,5 | | 3804-G | | | | |
| | I SERIES | 10-97→12-01 | 19 | | 4254-G | | | | |
| | I SERIES | 10-97→12-01 | 33 | ATE | 4282-G | 11536 | P-332801 | 2 | 28,2 |
| | I - II SERIES | 10-97→08-04 | 34 | KPW | 4371-G | 10675 | P-344101 | 1 | 41 |
| | | | | | | 11569 | K-344101 | 1 | 41 |
| | I SERIES | 10-97→12-01 | 15,9 | | 4147-G | | | | |
| | I SERIES | 10-97→12-01 | 19 | | 4226-G | | | | |
| | I SERIES | 10-97→12-01 | 19 | | 4376-G | | | | |



Master Cylinder



Front Caliper



Front Wheel Cylinder



Clutch Master Cylinder



Front Caliper Guides



Pressure Regulating Valve



Rear Caliper



Rear Wheel Cylinder



Clutch Slave Cylinder



Rear Caliper Guides



∅
(mm.)

VERSION



KIA

5 of 5

SORENTO

| | | | | | | | | | |
|--|-------------------------------|--------|------|-------|----------------|-------|----------|---|------|
| | I SERIES | 08-02→ | 27 | | 4802-G | | | | |
| | II SERIES | 11-09→ | 45 | MANDO | 6066-G | 10815 | P-454902 | 1 | 49 |
| | I SERIES | 08-02→ | 46 | KASKO | 4808-G | 10816 | P-464601 | 2 | 46,5 |
| | I SERIES (3.3V6 2.5CRDI125KW) | 12-06→ | 46 | KASKO | 6280-G | 11784 | P-464701 | 2 | 47 |
| | II SERIES | 11-09→ | 9,9 | MANDO | 30061-G | | | | |
| | I SERIES | 08-02→ | 10 | KASKO | 30065-G | | | | |
| | I SERIES | 08-02→ | 43 | KASKO | 4807-G | 11731 | P-434701 | 1 | 47 |
| | II SERIES | 11-09→ | 43 | MANDO | 6259-G | 11737 | P-434901 | 1 | 48,9 |
| | II SERIES | 11-09→ | 8 | MANDO | 30048-G | | | | |
| | I SERIES | 08-02→ | 10 | KASKO | 30065-G | | | | |
| | I SERIES | 08-02→ | 15,9 | | 4908-G | | | | |

SOUL

| | | | | | | | | | |
|--|-----------|--------|-----|-------|----------------|-------|----------|---|------|
| | ALL TYPES | 02-09→ | 57 | MANDO | 4829-G | 11425 | P-575103 | 1 | 51,2 |
| | ALL TYPES | 02-09→ | 9,9 | MANDO | 30061-G | | | | |
| | ALL TYPES | 02-09→ | 34 | MANDO | 6224-G | 11056 | P-344602 | 1 | 46 |

SPORTAGE

| | | | | | | | | | |
|--|-----------------|-------------|------|--------------|----------------|-------|----------|---|------|
| | I SERIES (-ABS) | 10-99→08-03 | 23,8 | | 4531-G | | | | |
| | I SERIES | 01-94→ | 23,8 | | 4559-G | | | | |
| | I SERIES (ABS) | 01-94→ | 25,4 | | 4526-G | | | | |
| | I SERIES | 04-94→08-03 | 54 | KELSEY-HAYES | 6054-G | 11372 | P-545204 | 1 | 52 |
| | I SERIES | 10-00→ | 57 | SUMITOMO | 4730-G | | | | |
| | I SERIES | 10-00→ | 57 | KPW | 6016-G | 11412 | P-574603 | 1 | 46,1 |
| | II SERIES | 09-04→ | 60 | MANDO | 4910-G | 10989 | P-605101 | 1 | 51,5 |
| | III SERIES | 07-10→ | 10 | MANDO | 30084-G | | | | |
| | I SERIES | 04-94→08-03 | 14 | KELSEY-HAYES | 30103-G | | | | |
| | I SERIES | 04-94→ | 20,6 | | 4255-G | | | | |
| | II SERIES | 09-04→ | 34 | MANDO | 4693-G | 10709 | P-344602 | 1 | 46 |
| | III SERIES | 07-10→ | 34 | KASKO | 6154-G | 11547 | P-344705 | 1 | 47,5 |
| | II SERIES | 09-04→ | 8 | MANDO | 30149-G | | | | |
| | ALL TYPES | 07-10→ | 10 | KASKO | 30145-G | | | | |
| | I SERIES | 04-94→08-03 | 19 | | 4226-G | | | | |
| | I SERIES | 04-94→08-03 | 19 | | 4376-G | | | | |

VENGA

| | | | | | | | | | |
|--|-----------|--------|----|-------|----------------|-------|----------|---|------|
| | ALL TYPES | 02-10→ | 57 | LUCAS | 6063-G | 10938 | P-575401 | 1 | 54,8 |
| | ALL TYPES | 02-10→ | 10 | LUCAS | 30041-G | | | | |
| | ALL TYPES | 02-10→ | 34 | TRW | 6007-G | 10677 | P-334601 | 1 | 46,8 |
| | | | | | | 11563 | K-334601 | 1 | 46,8 |



Master Cylinder



Front Caliper



Front Wheel Cylinder



Clutch Master Cylinder



Front Caliper Guides



Pressure Regulating Valve



Rear Caliper



Rear Wheel Cylinder



Clutch Slave Cylinder



Rear Caliper Guides

Ø
(mm.)

VERSION



LADA

1 of 2

110 - 111 - 112

| | | | | | |
|--|----------------------------|--------|------|----------------|---------------|
| | ALL TYPES (FOR TWO WHEELS) | 01-95→ | 20,6 | BEDNIX - BOSCH | 6346-G |
| | ALL TYPES | 01-95→ | 20,6 | BEDNIX - BOSCH | 6347-G |

1200 - 1300 - 1500 - 1600

| | | | | | | | | | |
|--|----------------------------|-------------|------|----------------|---------------|-------|----------|---|----|
| | ALL TYPES | 01-73→01-87 | 48 | LUCAS | 2643-G | 11809 | P-483301 | 2 | 33 |
| | ALL TYPES (FOR TWO WHEELS) | →10-86 | 20,6 | BEDNIX - BOSCH | 6346-G | | | | |
| | ALL TYPES | →10-86 | 20,6 | BEDNIX - BOSCH | 6347-G | | | | |

2101 - 2102 - 2103 - 2104 - 2105 - 2106

| | | | | | | | | | |
|--|-------------------|--|------|----------------|---------------|-------|----------|---|----|
| | ALL TYPES | | 19 | FIAT | 2772-G | | | | |
| | ALL TYPES | | 19 | BEDNIX - BOSCH | 3042-G | | | | |
| | ALL TYPES | | 19 | FIAT | 6076-G | | | | |
| | ALL TYPES (RUSIA) | | 19 | FIAT | 6191-G | | | | |
| | ALL TYPES | | 48 | LUCAS | 2643-G | 11809 | P-483301 | 2 | 33 |
| | ALL TYPES | | 48 | | 3442-G | 10839 | P-483301 | 2 | 33 |
| | ALL TYPES | | 19 | BEDNIX - BOSCH | 2605-G | | | | |
| | ALL TYPES | | 19 | | 3138-G | | | | |
| | ALL TYPES | | 20,6 | | 3382-G | | | | |
| | ALL TYPES | | 19 | | 2548-G | | | | |
| | ALL TYPES | | 19 | BEDNIX - BOSCH | 2776-G | | | | |
| | ALL TYPES | | 13 | | 3064-G | | | | |

KALINA

| | | | | | |
|--|----------------------------|--------|------|----------------|---------------|
| | ALL TYPES (FOR TWO WHEELS) | 10-04→ | 20,6 | BEDNIX - BOSCH | 6346-G |
| | ALL TYPES | 10-04→ | 20,6 | BEDNIX - BOSCH | 6347-G |

NATACHA

| | | | | | |
|--|-----------|--|------|--|---------------|
| | ALL TYPES | | 20,6 | | 3382-G |
|--|-----------|--|------|--|---------------|

NIVA (2121)

| | | | | | | | | | |
|--|----------------------------|--------|------|----------------|---------------|-------|----------|---|----|
| | ALL TYPES | | 19 | FIAT | 2772-G | | | | |
| | ALL TYPES | | 19 | FIAT | 6076-G | | | | |
| | ALL TYPES (RUSIA) | | 19 | FIAT | 6191-G | | | | |
| | ALL TYPES | | 30 | | 3430-G | 11005 | P-305101 | 3 | 51 |
| | ALL TYPES | | 19 | BEDNIX - BOSCH | 2605-G | | | | |
| | ALL TYPES | | 19 | | 3138-G | | | | |
| | ALL TYPES | | 20,6 | | 3382-G | | | | |
| | ALL TYPES (FOR TWO WHEELS) | 06-96→ | 20,6 | BEDNIX - BOSCH | 6346-G | | | | |
| | ALL TYPES | 06-96→ | 20,6 | BEDNIX - BOSCH | 6347-G | | | | |
| | ALL TYPES | | 19 | | 2548-G | | | | |
| | ALL TYPES | | 19 | BEDNIX - BOSCH | 2776-G | | | | |
| | ALL TYPES | | 13 | | 3064-G | | | | |

NIVA (2123)

| | | | | | |
|--|----------------------------|--------|------|----------------|---------------|
| | ALL TYPES (FOR TWO WHEELS) | 06-96→ | 20,6 | BEDNIX - BOSCH | 6346-G |
| | ALL TYPES | 06-96→ | 20,6 | BEDNIX - BOSCH | 6347-G |



Master Cylinder



Front Caliper



Front Wheel Cylinder



Clutch Master Cylinder



Front Caliper Guides



Pressure Regulating Valve



Rear Caliper



Rear Wheel Cylinder



Clutch Slave Cylinder



Rear Caliper Guides



∅
(mm.)

VERSION



LADA

2 of 2

NOVA

| | | | | | | | | | |
|--|----------------------------|--------|------|----------------|---------------|-------|----------|---|----|
| | SEDAN | 01-81→ | 48 | LUCAS | 2643-G | 11809 | P-483301 | 2 | 33 |
| | ALL TYPES | | 20,6 | | 3382-G | | | | |
| | ALL TYPES (FOR TWO WHEELS) | 09-81→ | 20,6 | BEDNIX - BOSCH | 6346-G | | | | |
| | ALL TYPES | 09-81→ | 20,6 | BEDNIX - BOSCH | 6347-G | | | | |

RIVA

| | | | | | | | | | |
|--|-----------|--------|----|-------|---------------|-------|----------|---|----|
| | ALL TYPES | 01-83→ | 48 | LUCAS | 2643-G | 11809 | P-483301 | 2 | 33 |
|--|-----------|--------|----|-------|---------------|-------|----------|---|----|

SAMARA (2108 - 2109) - FORMA (21099)

| | | | | | | | | | |
|--|----------------------------|--------|------|----------------|----------------|-------|----------|---|----|
| | ALL TYPES | | 20,6 | | 3443-G | | | | |
| | ALL TYPES | 05-89→ | 48 | | 3359-G | 10649 | P-484905 | 1 | 49 |
| | 1500 | 01-88→ | 8 | LUCAS | 30003-G | | | | |
| | ALL TYPES | | 20,6 | | 3382-G | | | | |
| | ALL TYPES (FOR TWO WHEELS) | 07-91→ | 20,6 | BEDNIX - BOSCH | 6346-G | | | | |
| | ALL TYPES | 07-91→ | 20,6 | BEDNIX - BOSCH | 6347-G | | | | |



Master Cylinder



Front Caliper



Front Wheel Cylinder



Clutch Master Cylinder



Front Caliper Guides



Pressure Regulating Valve



Rear Caliper



Rear Wheel Cylinder



Clutch Slave Cylinder



Rear Caliper Guides

Ø
(mm.)

VERSION



LANCIA

1 of 4

BETA - TREVI

| | | | | | | | | |
|--|-----------------|-------------|------|----------------|---------------|-------|----------|--------|
| | ALL TYPES | | 22,2 | | 3383-G | | | |
| | BETA | 01-73→01-84 | 36 | BEDNIX - BOSCH | 3319-G | 10723 | P-364502 | 1 45,5 |
| | BETA MONTECARLO | 09-75→05-81 | 38 | BEDNIX - BOSCH | 3018-G | | | |

DEDRA

| | | | | | | | | |
|--|-----------------------------------|-------------|------|----------------|----------------|-------|----------|--------|
| | ALL TYPES (-ABS) | 01-89→ | 20,6 | BEDNIX - BOSCH | 3358-G | | | |
| | ALL TYPES | 01-95→ | 22,2 | BEDNIX - BOSCH | 3583-G | | | |
| | ALL TYPES (DISC 10,9MM) | 01-90→ | 48 | LUCAS | 3267-G | 10536 | P-485102 | 1 51 |
| | ALL TYPES (DISC 12MM) | 04-89→07-99 | | | | 10819 | P-484901 | 1 49,7 |
| | 1.9 TDS (DISC 12MM) | 04-89→ | 54 | LUCAS | 3220-G | 10567 | P-545103 | 1 51 |
| | 2.0 TURBO - INTEGRALE (DISC 22MM) | 04-89→ | 54 | LUCAS | 4982-G | 10918 | P-545301 | 1 53,7 |
| | 1.6IE | | 19 | BEDNIX - BOSCH | 3376-G | | | |
| | ALL TYPES (-ABS) | 09-89→04-99 | 34 | BEDNIX - BOSCH | 3258-G | 11549 | P-344501 | 1 45,5 |
| | ALL TYPES (ABS) | 01-89→ | 34 | LUCAS | 3384-G | 10514 | P-334601 | 1 46,8 |
| | | | | | | 11562 | K-334601 | 1 46,8 |
| | 835 | 01-89→ | 8 | LUCAS | 30001-G | | | |
| | 2.0iE TURBO HF | 01-90→ | 25,4 | BEDNIX - BOSCH | 3225-G | | | |

DELTA - PRISMA

| | | | | | | | | |
|--|-------------------------|-------------|------|----------------|----------------|-------|----------|--------|
| | ALL TYPES | 01-70→01-93 | 19 | FIAT | 3137-G | | | |
| | DELTA | 01-93→ | 22,2 | BEDNIX - BOSCH | 3583-G | | | |
| | 1.1 - 1.3 - 1.5 | 01-79→01-92 | 48 | LUCAS | 3077-G | 11811 | P-484806 | 1 48 |
| | ALL TYPES | 01-83→ | 48 | LUCAS | 3267-G | 10536 | P-485102 | 1 51 |
| | I SERIES DELTA | 01-86→01-94 | 54 | LUCAS | 3220-G | 10570 | P-545301 | 1 53,7 |
| | III SERIES | 09-08→ | 10 | BOSCH | 30014-G | | | |
| | ALL TYPES | 01-79→01-93 | 17,5 | BEDNIX - BOSCH | 3045-G | | | |
| | ALL TYPES | 01-79→01-93 | 17,5 | BEDNIX - BOSCH | 3139-G | | | |
| | ALL TYPES | 01-86→01-93 | 19 | BEDNIX - BOSCH | 2605-G | | | |
| | ALL TYPES | 01-93→ | 20,6 | BEDNIX - BOSCH | 3581-G | | | |
| | ALL TYPES | 11-82→08-96 | 34 | BEDNIX - BOSCH | 3258-G | 11549 | P-344501 | 1 45,5 |
| | ALL TYPES | 01-83→08-99 | 34 | LUCAS | 3384-G | 10514 | P-334601 | 1 46,8 |
| | | | | | | 11562 | K-334601 | 1 46,8 |
| | II SERIES DELTA | 06-93→08-99 | 8 | LUCAS | 30001-G | | | |
| | 2.0 16V | 06-93→09-99 | 8 | LUCAS | 30004-G | | | |
| | III SERIES DELTA | 09-08→ | 10 | BOSCH | 30057-G | | | |
| | ALL TYPES | 01-93→ | 19 | BEDNIX - BOSCH | 3644-G | | | |
| | II SERIES DELTA | 06-93→08-99 | 25,4 | BEDNIX - BOSCH | 3225-G | | | |
| | 2.0 HF INTEGRALE 8V-16V | | | | | | | |



Master Cylinder



Front Caliper



Front Wheel Cylinder



Clutch Master Cylinder



Front Caliper Guides



Pressure Regulating Valve



Rear Caliper



Rear Wheel Cylinder



Clutch Slave Cylinder



Rear Caliper Guides

Ø
(mm.)

VERSION

**LANCIA**

2 of 4

KAPPA

| | | | | | | | | | |
|--|-----------------|-------------|------|----------------|----------------|-------|----------|---|------|
| | ALL TYPES | 01-96→01-00 | 23,8 | LUCAS | 3467-G | | | | |
| | COUPE 2.0 - 2.3 | 01-96→01-01 | 25,4 | LUCAS | 4570-G | | | | |
| | ALL TYPES | | 54 | LUCAS | 3649-G | 10571 | P-545301 | 1 | 53,7 |
| | ALL TYPES | 01-96→01-01 | 57 | ATE | 3391-G | 10930 | P-575502 | 1 | 55,5 |
| | ALL TYPES | 08-94→10-01 | 57 | LUCAS | 3481-G | | | | |
| | ALL TYPES | 01-96→01-01 | 57 | ATE | 4983-G | | | | |
| | ALL TYPES | 01-94→ | 38 | LUCAS | 4442-G | 10520 | P-385101 | 1 | 51 |
| | | | | | | 11651 | K-385101 | 1 | 51 |
| | ALL TYPES | 10-94→03-01 | 8 | LUCAS | 30004-G | | | | |
| | ALL TYPES | 08-99→10-01 | 25,4 | BEDNIX - BOSCH | 3225-G | | | | |
| | ALL TYPES | 01-95→01-91 | 25,4 | BOSCH | 4242-G | | | | |

LYBRA

| | | | | | | | | | |
|--|-------------------|-------------|------|----------------|----------------|-------|----------|---|------|
| | 1.9 JTD - 2.4 JTD | 01-02→ | 54 | ATE | 4318-G | 10574 | P-545501 | 1 | 55,5 |
| | 1.9 JTD | 01-02→ | 54 | ATE | 6033-G | | | | |
| | ALL TYPES | 07-99→ | 38 | LUCAS | 4442-G | 10520 | P-385101 | 1 | 51 |
| | | | | | | 11651 | K-385101 | 1 | 51 |
| | ALL TYPES | 07-99→ | 10 | LUCAS | 30041-G | | | | |
| | ALL TYPES | 07-99→05-01 | 25,4 | BEDNIX - BOSCH | 3225-G | | | | |
| | 1.9 JTD | 01-99→ | 25,4 | BOSCH | 4242-G | | | | |

MUSA

| | | | | | | | | | |
|--|-----------------|--------|------|----------------|----------------|--|--|--|--|
| | ALL TYPES (EPS) | 01-04→ | 23,8 | BEDNIX - BOSCH | 4681-G | | | | |
| | ALL TYPES | 01-04→ | 10 | BOSCH | 30057-G | | | | |
| | ALL TYPES | 07-08→ | 10 | LUCAS | 30041-G | | | | |
| | 1.3 - 1.4 | 01-04→ | 15,9 | AP LOCKHEED | 4976-G | | | | |

PHEDRA

| | | | | | | | | | |
|--|--------------------------|--------|------|-------|----------------|-------|----------|---|----|
| | 2.0 JTD - 2.2 JTD | 09-02→ | 22,2 | BOSCH | 4678-G | | | | |
| | 2.2 JTD - 2.2 D MULTIJET | 09-02→ | 40 | LUCAS | 4755-G | 10608 | P-455301 | 1 | 53 |
| | | | | | | | P-405301 | 1 | 53 |
| | ALL TYPES | 09-02→ | 60 | LUCAS | 4860-G | 10988 | P-605301 | 1 | 53 |
| | ALL TYPES | 03-08→ | 10 | LUCAS | 30041-G | | | | |
| | ALL TYPES | 09-02→ | 10 | LUCAS | 30078-G | | | | |
| | ALL TYPES | 09-02→ | 38 | LUCAS | 4442-G | 10520 | P-385101 | 1 | 51 |
| | | | | | | 11651 | K-385101 | 1 | 51 |
| | JTD - 2.0 (PLASTIC BODY) | 09-02→ | 19 | FAG | 4849-G | | | | |
| | 2.0 | 09-02→ | 19 | FAG | 4819-G | | | | |
| | ALL TYPES | 09-02→ | 23,8 | FAG | 4841-G | | | | |



Master Cylinder



Front Caliper



Front Wheel Cylinder



Clutch Master Cylinder



Front Caliper Guides



Pressure Regulating Valve



Rear Caliper



Rear Wheel Cylinder



Clutch Slave Cylinder



Rear Caliper Guides

Ø
(mm.)

VERSION



LANCIA

3 of 4

THEMA - GAMMA

| | | | | | | | | | |
|--|------------------------|-------------|------|----------------|---------------|-------|----------|---|------|
| | ALL TYPES | | 22,2 | BEDNIX - BOSCH | 3189-G | | | | |
| | ALL TYPES THERMA (ABS) | 11-84→01-94 | 54 | LUCAS | 3220-G | 10570 | P-545301 | 1 | 53,7 |
| | THERMA 2.0 - 2.5TD | | | | | 10567 | P-545103 | 1 | 51 |
| | ALL TYPES (ABS) | 01-84→01-94 | | | | 10563 | P-544901 | 1 | 49,8 |
| | ALL TYPES | 01-84→ | 54 | LUCAS | 4982-G | 10918 | P-545301 | 1 | 53,7 |
| | ALL TYPES | 01-85→01-92 | 36 | LUCAS | 3257-G | 10518 | P-364801 | 1 | 48 |
| | ALL TYPES | →01-88 | 36 | BEDNIX - BOSCH | 3319-G | 10723 | P-364502 | 1 | 45,5 |
| | GAMMA COUPE 2.5 | 01-81→01-85 | 36 | LUCAS | 4781-G | | | | |
| | ALL TYPES | 10-87→07-94 | 38 | LUCAS | 3247-G | 10521 | P-385101 | 1 | 51 |
| | | | | | | 11652 | K-385101 | 1 | 51 |
| | ALL TYPES | | 19 | BEDNIX - BOSCH | 3357-G | | | | |
| | ALL TYPES | | 25,4 | BEDNIX - BOSCH | 3225-G | | | | |

THESIS

| | | | | | | | | | |
|--|--------------------------------|--------|----|-------|----------------|-------|----------|---|----|
| | ALL TYPES | 02-02→ | 60 | LUCAS | 4860-G | 10988 | P-605301 | 1 | 53 |
| | ALL TYPES | 02-02→ | 10 | LUCAS | 30078-G | | | | |
| | ALL TYPES (ELECTRIC HANDBRAKE) | 02-02→ | 38 | TRW | 6188-G | 11629 | P-385202 | 1 | 52 |
| | ALL TYPES | 02-02→ | 10 | TRW | 30041-G | | | | |

VOYAGER LIMUSINA

| | | | | | | | | | |
|--|-----------|--------|----|--------|----------------|-------|----------|---|------|
| | ALL TYPES | 09-11→ | 8 | LUCAS | 30004-G | | | | |
| | 2.8 CRD | 09-11→ | 43 | VARGAS | 6077-G | 10794 | P-425102 | 1 | 51,3 |
| | | | | | | 11751 | K-425102 | 1 | 51,3 |
| | 2.8 | 09-11→ | 43 | VARGAS | 6265-G | | | | |

Y10 - A112 - FIRE LX

| | | | | | | | | | |
|--|-------------------|-------------|----|----------------|----------------|-------|----------|---|------|
| | ALL TYPES | | 19 | FIAT | 3137-G | | | | |
| | ALL TYPES | | 19 | ATE | 3324-G | | | | |
| | Y 10 - 1.0 ABARTH | 03-78→02-84 | 48 | BEDNIX - BOSCH | 2675-G | 10834 | P-485003 | 1 | 50 |
| | A 112 | | 48 | BEDNIX - BOSCH | 2679-G | 10836 | P-485003 | 1 | 50 |
| | 1.2 (SOFT BOOT) | 03-96→ | 48 | ATE | 3130-G | 10556 | P-485201 | 1 | 52,7 |
| | Y 10 | 03-85→ | 48 | LUCAS | 3267-G | 10819 | P-484901 | 1 | 49,7 |
| | 1.2 | 03-96→ | 48 | BEDNIX - BOSCH | 4288-G | 10543 | P-484701 | 1 | 47 |
| | 1.2 | 03-96→ | 48 | ATE | 6173-G | | | | |
| | Y TYPE (-ABS) | 03-78→02-84 | 16 | BEDNIX - BOSCH | 30112-G | | | | |
| | ALL TYPES | | 19 | BEDNIX - BOSCH | 2605-G | | | | |



Master Cylinder



Front Caliper



Front Wheel Cylinder



Clutch Master Cylinder



Front Caliper Guides



Pressure Regulating Valve



Rear Caliper



Rear Wheel Cylinder



Clutch Slave Cylinder



Rear Caliper Guides



∅
(mm.)

VERSION



LANCIA

4 of 4

YPSILON

| | | | | | | | | | |
|--|--------------------------|-------------|------|----------------|----------------|-------|----------|---|------|
| | ALL TYPES | | 20,6 | BEDNIX - BOSCH | 3358-G | | | | |
| | ALL TYPES (HARD BOOT) | | 48 | BEDNIX - BOSCH | 4300-G | | | | |
| | ALL TYPES | 10-03→ | 48 | LUCAS | 4717-G | 10558 | P-485302 | 1 | 53,6 |
| | 1.2 | 08-10→ | 54 | ATE | 4318-G | 11378 | P-545003 | 1 | 50,5 |
| | 1.3JTDM | 10-03→05-06 | 54 | BOSCH | 4632-G | 10911 | P-545102 | 1 | 51,5 |
| | ALL TYPES | 10-03→ | 54 | LUCAS | 4726-G | 10915 | P-544901 | 1 | 49,8 |
| | ALL TYPES | 10-03→12-11 | 8,4 | LUCAS | 30046-G | | | | |
| | ALL TYPES | | 20,6 | BEDNIX - BOSCH | 3581-G | | | | |
| | ALL TYPES | 10-03→ | 20,6 | AP LOCKHEED | 4247-G | | | | |
| | (843) SERIES (DISC 11MM) | 10-03→ | 34 | LUCAS | 4695-G | 10516 | P-334601 | 1 | 46,8 |
| | | | | | | 11564 | K-334601 | 1 | 46,8 |
| | 1.2 | 10-03→ | 15,9 | AP LOCKHEED | 4976-G | | | | |
| | ALL TYPES | | 20,6 | VALEO | 4867-G | | | | |

ZETA

| | | | | | | | | | |
|--|--------------------|-------------|------|----------------|----------------|-------|----------|---|------|
| | ALL TYPES | | 23,8 | BEDNIX - BOSCH | 3402-G | | | | |
| | ALL TYPES | 05-95→09-99 | 57 | LUCAS | 3481-G | 10580 | P-575401 | 1 | 54,8 |
| | ALL TYPES | 05-95→09-99 | 57 | BEDNIX - BOSCH | 3586-G | 10583 | P-575101 | 1 | 51,7 |
| | ALL TYPES | 05-95→09-99 | 10 | LUCAS | 30041-G | | | | |
| | (220) SERIES | 05-95→09-02 | 36 | ATE | 3483-G | 10725 | P-364803 | 1 | 48 |
| | ALL TYPES | 05-95→ | 12 | ATE | 30023-G | | | | |
| | JTD (PLASTIC BODY) | 09-99→09-02 | 19 | FAG | 4849-G | | | | |
| | ALL TYPES | 09-99→09-02 | 23,8 | FAG | 4841-G | | | | |



Master Cylinder



Front Caliper



Front Wheel Cylinder



Clutch Master Cylinder



Front Caliper Guides



Pressure Regulating Valve



Rear Caliper



Rear Wheel Cylinder



Clutch Slave Cylinder



Rear Caliper Guides

Ø
(mm.)

VERSION

**LAND ROVER**

1 of 3

88 - 109

| | | | | | | | | | |
|--|--|-------------|------|-------|----------------|--|--|--|--|
| | II SERIES 88 (SIMPLE CIRCUIT) | 01-59→01-69 | 19 | LUCAS | 2517-G | | | | |
| | II - III SERIES 88 (SIMPLE CIRCUIT) | 01-69→01-77 | 22,2 | LUCAS | 4614-G | | | | |
| | III SERIES 88 (DOBLE CIRCUIT) | 01-77→01-82 | 23,8 | LUCAS | 3182-G | | | | |
| | 109 II A - III SERIES (SIMPLE CIRCUIT) | 01-68→01-81 | 25,4 | LUCAS | 10190-G | | | | |
| | II SERIES A 109 (SIMPLE CIRCUIT) | 01-60→01-69 | 25,4 | LUCAS | 10191-G | | | | |
| | III SERIES 88-109 (DOBLE CIRCUIT) | 01-77→01-84 | 27 | LUCAS | 3123-G | | | | |
| | O-RING (FOR TWO WHEELS) | | 28,6 | LUCAS | 10186-G | | | | |
| | 109 2.25 (RUBBER CUP/SEAL TYPE) | 01-62→01-84 | 28,6 | LUCAS | 2598-G | | | | |
| | 109 2.25 (RUBBER SEAL TYPE) | 01-62→01-84 | 28,6 | LUCAS | 3002-G | | | | |
| | 109 2.6 - V8 | 01-68→01-84 | 28,6 | LUCAS | 3141-G | | | | |
| | 88 | 01-59→01-84 | 31,8 | LUCAS | 2574-G | | | | |
| | 88 | 01-59→01-84 | 25,4 | LUCAS | 2573-G | | | | |
| | ALL TYPES | 01-59→01-84 | 19 | LUCAS | 2530-G | | | | |
| | ALL TYPES | 01-59→01-84 | 22,2 | LUCAS | 2705-G | | | | |

90 - 110

| | | | | | | | | | |
|--|------------------|-------------|------|-------------|---------------|-------|----------|---|------|
| | 90 | 09-83→07-90 | 23,8 | LUCAS | 3182-G | | | | |
| | 110 | 09-83→07-90 | 25,4 | LUCAS | 3279-G | | | | |
| | ALL TYPES | 09-83→07-90 | 41 | AP LOCKHEED | 3569-G | 10524 | P-413401 | 4 | 34,2 |
| | ALL TYPES | 09-83→07-90 | 46 | AP LOCKHEED | 3403-G | 10633 | P-463001 | 4 | 30,7 |
| | 90 | 09-83→07-90 | 25,4 | LUCAS | 3685-G | | | | |
| | 110 | 09-83→07-90 | 27 | LUCAS | 3572-G | | | | |
| | 110 | 01-89→ | 42 | | 3665-G | | | | |
| | ALL TYPES | 09-83→07-90 | 19 | LUCAS | 2530-G | | | | |
| | EXCEPT V8 ENGINE | 09-83→07-90 | 22,2 | LUCAS | 2705-G | | | | |
| | V8 ENGINE | 09-83→07-90 | 25,4 | AP LOCKHEED | 3574-G | | | | |

DEFENDER

| | | | | | | | | | |
|--|--------------------------|--------|------|-------------|---------------|-------|----------|---|------|
| | ALL TYPES (COMPACT TYPE) | 09-90→ | 25,4 | LUCAS | 3570-G | | | | |
| | ALL TYPES | 09-90→ | 41 | AP LOCKHEED | 3569-G | 10524 | P-413401 | 4 | 34,2 |
| | ALL TYPES | 09-90→ | 46 | AP LOCKHEED | 3403-G | 10633 | P-463001 | 4 | 30,7 |
| | ALL TYPES | 09-90→ | 42 | AP LOCKHEED | 3190-G | 10768 | P-412801 | 2 | 28,4 |
| | ALL TYPES | 09-90→ | 46 | AP LOCKHEED | 4464-G | 10634 | P-463001 | 2 | 30,7 |
| | EXCEPT V8 ENGINE | 09-90→ | 22,2 | LUCAS | 2705-G | | | | |
| | ALL TYPES | 09-90→ | 22,2 | AP LOCKHEED | 3567-G | | | | |
| | V8 ENGINE | 09-90→ | 25,4 | AP LOCKHEED | 3574-G | | | | |



Master Cylinder



Front Caliper



Front Wheel Cylinder



Clutch Master Cylinder



Front Caliper Guides



Pressure Regulating Valve



Rear Caliper



Rear Wheel Cylinder



Clutch Slave Cylinder



Rear Caliper Guides

Ø
(mm.)

VERSION



LAND ROVER

2 of 3

DISCOVERY

| | | | | | | | | | |
|--|-------------------------|-------------|------|-------------|----------------|-------|----------|---|------|
| | I SERIES (COMPACT TYPE) | 10-89→10-98 | 25,4 | LUCAS | 3570-G | | | | |
| | I SERIES | 10-89→10-98 | 41 | AP LOCKHEED | 3569-G | 10524 | P-413401 | 4 | 34,2 |
| | II SERIES | 11-98→06-04 | 45 | LUCAS | 4714-G | 10701 | P-455301 | 2 | 53 |
| | II - III - IV SERIES | 11-98→ | 48 | LUCAS | 4722-G | 10833 | P-485302 | 2 | 53,6 |
| | III - IV SERIES | 07-04→ | 10 | LUCAS | 30041-G | | | | |
| | II SERIES | 11-98→06-04 | 10 | LUCAS | 30066-G | | | | |
| | I SERIES | 10-89→10-98 | 42 | AP LOCKHEED | 3190-G | 10768 | P-412801 | 2 | 28,4 |
| | II SERIES | 11-98→06-04 | 45 | LUCAS | 3673-G | 10702 | P-454801 | 1 | 48 |
| | III SERIES | 07-04→09-09 | 45 | LUCAS | 4997-G | 10808 | P-454801 | 1 | 48 |
| | III - IV SERIES | 07-04→ | 8,4 | LUCAS | 30046-G | | | | |
| | II SERIES | 11-98→06-04 | 10 | LUCAS | 30013-G | | | | |
| | I SERIES | 07-94→10-98 | 22,2 | AP LOCKHEED | 3233-G | | | | |

FREELANDER

| | | | | | | | | | |
|--|-------------------------------------|-------------|------|-------|----------------|-------|----------|---|------|
| | 1.8i - 2.0DI | 02-98→11-00 | 23,8 | | 6073-G | | | | |
| | 2.0 TD 4 - 2.5V6 | 11-00→ | 25,4 | LUCAS | 6129-G | | | | |
| | ALL TYPES | | 54 | LUCAS | 3220-G | | | | |
| | (LN) ALL TYPES (DISC 14MM) | →11-00 | 57 | LUCAS | 3839-G | 10585 | P-575001 | 1 | 49,8 |
| | SOF TOP 1.8i - 2.0DI (DISC 14MM) | 02-98→ | | | | | P-575001 | 1 | 49,8 |
| | SOF TOP 1.8i - 2.0DI (DISC 21MM) | 02-98→ | 57 | LUCAS | 4754-G | 10586 | P-575001 | 1 | 49,8 |
| | (LN) ALL TYPES (DISC 21MM) | 11-00→ | | | | | P-575001 | 1 | 49,8 |
| | ALL TYPES | 10-06→ | 60 | ATE | 4565-G | 10963 | P-605502 | 1 | 55,5 |
| | ALL TYPES | 02-98→11-00 | 10 | LUCAS | 30066-G | | | | |
| | 2 (FA) | 01-07→ | 12 | ATE | 30023-G | | | | |
| | ALL TYPES | | 20,6 | LUCAS | 3031-G | | | | |
| | ALL TYPES | 10-06→ | 36 | TRW | 4290-G | 11609 | P-365301 | 1 | 53,5 |
| | SERIES FA 3.2 (-ELECTRIC HANDBRAKE) | 10-06→ | 38 | LUCAS | 6043-G | 10736 | P-385301 | 1 | 53,6 |
| | II SERIES | 01-06→ | 8,4 | TRW | 30046-G | | | | |
| | 2 (FA) | 01-07→ | 12 | ATE | 30023-G | | | | |



Master Cylinder



Front Caliper



Front Wheel Cylinder



Clutch Master Cylinder



Front Caliper Guides



Pressure Regulating Valve



Rear Caliper



Rear Wheel Cylinder



Clutch Slave Cylinder



Rear Caliper Guides

Ø
(mm.)

VERSION



LAND ROVER

3 of 3

RANGE ROVER

| | | | | | | | | | |
|--|--------------------------------|-------------|------|-------------|----------------|-------|----------|---|------|
| | 3.5 V8 | 01-70→06-81 | 23,8 | AP LOCKHEED | 3353-G | | | | |
| | 3.5 V8 | 07-81→06-85 | 23,8 | AP LOCKHEED | 6362-G | | | | |
| | I SERIES (COMPACT TYPE) | 01-89→07-94 | 25,4 | LUCAS | 3570-G | | | | |
| | IV SERIES 4.4 TD | 08-12→ | 36 | BREMBO | 6234-G | 11606 | P-403005 | 2 | 30 |
| | | | | | | | P-383005 | 2 | 30 |
| | | | | | | | P-363005 | 2 | 30 |
| | I SERIES | 07-70→07-94 | 41 | AP LOCKHEED | 3569-G | 10524 | P-413401 | 4 | 34,2 |
| | III SERIES | 03-02→08-12 | 46 | BREMBO | 6140-G | 10999 | P-463201 | 4 | 32 |
| | II - III - IV SERIES | 07-94→ | 48 | LUCAS | 4722-G | 10833 | P-485302 | 2 | 53,6 |
| | III SERIES | 03-02→08-12 | 60 | ATE | 6039-G | 10975 | P-605303 | 1 | 53 |
| | II SERIES | 07-94→03-02 | 10 | LUCAS | 30066-G | | | | |
| | ALL TYPES | 03-02→08-12 | 10 | LUCAS | 30152-G | | | | |
| | I SERIES | 07-70→07-94 | 42 | AP LOCKHEED | 3190-G | 10768 | P-412801 | 2 | 28,4 |
| | III SERIES | 03-02→08-12 | 42 | ATE | 4777-G | 10771 | P-425201 | 1 | 52 |
| | IV SERIES (ELECTRIC HANDBRAKE) | 08-12→ | 43 | TRW | 6127-G | 11736 | P-435201 | 1 | 52 |
| | II SERIES | 07-94→03-02 | 45 | LUCAS | 3673-G | 10702 | P-454801 | 1 | 48 |
| | III SERIES | 03-02→08-12 | 45 | LUCAS | 4997-G | 10808 | P-454801 | 1 | 48 |
| | III - IV SERIES | 03-02→ | 8,4 | LUCAS | 30046-G | | | | |
| | II SERIES | 07-94→03-02 | 10 | LUCAS | 30013-G | | | | |
| | I SERIES | →01-81 | 17,5 | AP LOCKHEED | 2712-G | | | | |
| | I SERIES | 01-81→ | 17,5 | AP LOCKHEED | 3250-G | | | | |
| | I SERIES (LEVEL WARNING) | 01-81→ | 17,5 | AP LOCKHEED | 4362-G | | | | |
| | I SERIES | 01-81→01-90 | 22,2 | AP LOCKHEED | 3233-G | | | | |
| | I - II SERIES | 01-90→ | 22,2 | AP LOCKHEED | 3567-G | | | | |

RANGE ROVER EVOQUE

| | | | | | | | | | |
|--|--------------------------------|--------|-----|-----|----------------|-------|----------|---|----|
| | ALL TYPES (ELECTRIC HANDBRAKE) | 06-11→ | 34 | TRW | 6225-G | 11573 | P-345201 | 1 | 52 |
| | ALL TYPES | 06-11→ | 8,4 | TRW | 30046-G | | | | |

RANGE ROVER SPORT

| | | | | | | | | | |
|--|--------------------------------|-------------|-----|--------|----------------|-------|----------|---|------|
| | II SERIES 5.0 | 04-13→ | 36 | BREMBO | 6234-G | 11606 | P-403005 | 2 | 30 |
| | | | | | | | P-383005 | 2 | 30 |
| | | | | | | | P-363005 | 2 | 30 |
| | I SERIES | 02-05→ | 46 | BREMBO | 6140-G | 10999 | P-463201 | 4 | 32 |
| | I SERIES | 02-05→ | 48 | LUCAS | 4722-G | 10833 | P-485302 | 2 | 53,6 |
| | I SERIES | 02-05→ | 10 | LUCAS | 30041-G | | | | |
| | I SERIES 3.0D | 09-09→03-13 | 10 | LUCAS | 30152-G | | | | |
| | II SERIES (ELECTRIC HANDBRAKE) | 04-13→ | 43 | TRW | 6127-G | 11736 | P-435201 | 1 | 52 |
| | I SERIES | 02-05→ | 45 | LUCAS | 4997-G | 10808 | P-454801 | 1 | 48 |
| | I SERIES | 02-05→ | 8,4 | LUCAS | 30046-G | | | | |



Master Cylinder



Front Caliper



Front Wheel Cylinder



Clutch Master Cylinder



Front Caliper Guides



Pressure Regulating Valve



Rear Caliper



Rear Wheel Cylinder



Clutch Slave Cylinder



Rear Caliper Guides

Ø
(mm.)

VERSION



LEXUS

1 of 2

CT200H

| | | | | | | | | | |
|--|-----------|--------|----|----------|----------------|-------|----------|---|----|
| | ALL TYPES | 12-10→ | 57 | SUMITOMO | 6311-G | 11433 | P-574401 | 1 | 44 |
| | ALL TYPES | 12-10→ | 11 | SUMITOMO | 30164-G | | | | |

ES

| | | | | | | | | | |
|--|-------------------|-------------|----|---------|----------------|-------|----------|---|----|
| | I - II SERIES 300 | 09-89→12-96 | 43 | AKEBONO | 4548-G | 11733 | P-435001 | 2 | 50 |
| | V SERIES | 05-06→06-12 | 63 | ADVICS | 6334-G | 11478 | P-634901 | 1 | 49 |
| | III SERIES 300 | 10-96→07-01 | 10 | AKEBONO | 30159-G | | | | |
| | V SERIES | 05-06→06-12 | 11 | ADVICS | 30164-G | | | | |
| | I - II SERIES 300 | 09-89→12-96 | 35 | AISIN | 4436-G | 11580 | P-354504 | 1 | 45 |
| | I - II SERIES 300 | 09-89→12-96 | 40 | AISIN | 4704-G | 11680 | P-404601 | 1 | 46 |
| | V SERIES | 05-06→06-12 | 8 | ADVICS | 30150-G | | | | |
| | III SERIES 300 | 10-96→07-01 | 13 | AISIN | 30165-G | | | | |

GS

| | | | | | | | | | |
|--|------------|-------------|----|----------|---------------|-------|----------|---|------|
| | III SERIES | 04-05→11-11 | 43 | ADVICS | 4936-G | 11734 | P-433101 | 4 | 31 |
| | I SERIES | 03-93→08-97 | 45 | AISIN | 4620-G | 10805 | P-445001 | 2 | 50,8 |
| | II SERIES | 08-97→03-05 | | | | | P-445001 | 2 | 50,8 |
| | I SERIES | 03-93→08-97 | 40 | AISIN | 4704-G | 11680 | P-404601 | 1 | 46 |
| | II SERIES | 08-97→03-05 | 40 | AISIN | 4933-G | 10765 | P-403203 | 2 | 32,9 |
| | I SERIES | 03-93→08-97 | 43 | SUMITOMO | 4709-G | 11729 | P-434601 | 1 | 46 |
| | III SERIES | 04-05→11-11 | 43 | ADVICS | 6269-G | 11744 | P-434804 | 1 | 48 |
| | III SERIES | 04-05→11-11 | 44 | ADVICS | 4945-G | 11757 | P-444801 | 1 | 48 |

HS

| | | | | | | | | | |
|--|------|--------|----|--------|----------------|--|--|--|--|
| | 250H | 07-09→ | 11 | ADVICS | 30164-G | | | | |
|--|------|--------|----|--------|----------------|--|--|--|--|

IS

| | | | | | | | | | |
|--|------------|-------------|----|--------|----------------|-------|----------|---|------|
| | III SERIES | 04-13→ | 43 | ADVICS | 4936-G | 11734 | P-433101 | 4 | 31 |
| | II SERIES | 08-05→ | 45 | AISIN | 4620-G | 10805 | P-445001 | 2 | 50,8 |
| | 250 - 300H | 04-13→ | 60 | ADVICS | 6371-G | 11836 | P-604902 | 1 | 49 |
| | 250 - 300H | 04-13→ | 10 | ADVICS | 30158-G | | | | |
| | I SERIES | 01-99→07-05 | 40 | AISIN | 4933-G | 10765 | P-403203 | 2 | 32,9 |
| | II SERIES | 08-05→ | 43 | AISIN | 6268-G | | | | |
| | II SERIES | 08-05→ | 43 | ADVICS | 6269-G | 11744 | P-434804 | 1 | 48 |
| | II SERIES | 08-05→ | 44 | ADVICS | 4945-G | 11757 | P-444801 | 1 | 48 |

LS

| | | | | | | | | | |
|--|-------|-------------|----|----------|---------------|-------|----------|---|------|
| | LS400 | 12-94→10-00 | 43 | SUMITOMO | 3838-G | 11248 | P-433101 | 4 | 31 |
| | LS430 | 11-00→08-06 | 43 | ADVICS | 4936-G | 11734 | P-433101 | 4 | 31 |
| | LS400 | 10-89→12-94 | 45 | AISIN | 4620-G | 10805 | P-445001 | 2 | 50,8 |
| | LS400 | 12-94→10-00 | 38 | AISIN | 4702-G | 10738 | P-384601 | 1 | 46,8 |
| | | | | | | 11649 | K-384601 | 1 | 46,8 |
| | LS400 | 07-97→ | 40 | AISIN | 11500 | 11500 | P-404601 | 1 | 46 |
| | LS400 | 10-89→12-94 | 43 | AISIN | 4709-G | 11729 | P-434601 | 1 | 46 |
| | LS430 | 11-00→08-06 | 43 | SUMITOMO | 4934-G | 11735 | P-433101 | 2 | 31 |



Master Cylinder



Front Caliper



Front Wheel Cylinder



Clutch Master Cylinder



Front Caliper Guides



Pressure Regulating Valve



Rear Caliper



Rear Wheel Cylinder



Clutch Slave Cylinder



Rear Caliper Guides



∅
(mm.)

VERSION



LEXUS

2 of 2

LX

| | | | | | | | | | |
|--|-----|--------|----|----------|---------------|-------|----------|---|------|
| | 470 | 01-98→ | 43 | SUMITOMO | 6106-G | 11742 | P-483102 | 2 | 31,5 |
| | | | | | | | P-433103 | 2 | 31,5 |
| | 470 | 01-98→ | 45 | SUMITOMO | 4712-G | 10802 | P-513101 | 2 | 31,5 |
| | | | | | | | P-453102 | 2 | 31,5 |
| | 570 | 11-07→ | 45 | SUMITOMO | 6105-G | 11297 | P-455304 | 1 | 53 |

RX

| | | | | | | | | | |
|--|----------------|-------------|----|---------|----------------|-------|----------|---|------|
| | 300 | 07-00→02-03 | 60 | AKEBONO | 4734-G | 10966 | P-604804 | 1 | 48 |
| | 300 - 350 400H | 04-03→ | 63 | AKEBONO | 6335-G | 11480 | P-634801 | 1 | 48 |
| | 300 | 07-00→02-03 | 10 | AKEBONO | 30159-G | | | | |
| | 300 | 07-00→02-03 | 40 | AISIN | 4938-G | 11672 | P-404501 | 1 | 45 |
| | 400h MCU | 09-04→ | 42 | AKEBONO | 6053-G | 11221 | P-414501 | 1 | 45,8 |
| | 300 | 07-00→02-03 | 13 | AISIN | 30165-G | | | | |



Master Cylinder



Front Caliper



Front Wheel Cylinder



Clutch Master Cylinder



Front Caliper Guides



Pressure Regulating Valve



Rear Caliper



Rear Wheel Cylinder



Clutch Slave Cylinder



Rear Caliper Guides



∅
(mm.)

VERSION



MAN

1 of 1

11 → 34 SERIES

| | | | | |
|--|------------------------------|------|-----|---------|
| | ALL TYPES | 31,8 | ATE | 2542-GV |
| | ALL TYPES | 23,8 | FAG | 3963-G |
| | ALL TYPES (RUBBER SEAL TYPE) | 25,4 | FAG | 3293-G |
| | ALL TYPES (RUBBER CUP TYPE) | 25,4 | FAG | 3304-G |
| | ALL TYPES | 27 | FAG | 3294-G |
| | ALL TYPES | 31,8 | FAG | 3964-G |
| | ALL TYPES | 28,6 | FAG | 3305-G |

400 - 2.000 SERIES

| | | | | |
|--|-----------|------|-----|---------|
| | ALL TYPES | 31,8 | ATE | 2542-GV |
| | ALL TYPES | 41,3 | | 3292-G |
| | ALL TYPES | 25,4 | ATE | 4535-G |

6 → 10 SERIES

| | | | | |
|--|-----------|------|-----|---------|
| | ALL TYPES | 31,8 | ATE | 2542-GV |
| | ALL TYPES | 31,8 | FAG | 3962-G |
| | ALL TYPES | 38,1 | FAG | 3306-G |
| | ALL TYPES | 41,3 | FAG | 3292-G |
| | ALL TYPES | 38,1 | FAG | 3306-G |
| | ALL TYPES | 41,3 | FAG | 3292-G |
| | ALL TYPES | 19 | FAG | 3290-G |
| | ALL TYPES | 25,4 | FAG | 3291-G |

M90

| | | | | | |
|--|-----------|-------------|------|-----|--------|
| | ALL TYPES | 08-88→06-96 | 28,6 | FAG | 3305-G |
|--|-----------|-------------|------|-----|--------|



Master Cylinder



Front Caliper



Front Wheel Cylinder



Clutch Master Cylinder



Front Caliper Guides



Pressure Regulating Valve



Rear Caliper



Rear Wheel Cylinder



Clutch Slave Cylinder



Rear Caliper Guides

Ø
(mm.)

VERSION



MAZDA

1 of 8

1.3 - 1.6 - 1.8

| | | | | | | | | | |
|--|-----------------------|-------------|------|----------|---------------|--|--|--|--|
| | 1.6 | 01-70→01-77 | 22,2 | | 4100-G | | | | |
| | 1800D - BG 323 (LHD) | 01-90→ | 22,2 | | 4587-G | | | | |
| | 1.3 - 1.6BG 323 (LHD) | | | | | | | | |
| | ALL TYPES | | | | | | | | |
| | 1.3 (2 PISTONS) | 01-70→01-76 | 48 | SUMITOMO | 2643-G | | | | |

121

| | | | | | | | | | |
|--|----------------------------------|-------------|------|----------------|----------------|-------|----------|---|------|
| | TYPE I | 01-88→01-91 | 19 | | 3770-G | | | | |
| | TYPE III | 03-96→ | 22,2 | LUCAS | 3411-G | | | | |
| | TYPE I | 01-88→01-91 | 22,2 | | 4100-G | | | | |
| | TYPE III | 03-96→ | 48 | ATE | 3130-G | 10535 | P-485101 | 1 | 51 |
| | TYPE I DA | 01-88→01-91 | 48 | SUMITOMO | 4385-G | 10827 | P-484502 | 1 | 45 |
| | TYPE III | 03-96→ | 48 | ATE | 6173-G | | | | |
| | TYPE II DB | 11-90→03-96 | 51 | SUMITOMO | 4284-G | 10858 | P-514503 | 1 | 45 |
| | TYPE II DB | 11-90→03-96 | 51 | SUMITOMO | 6005-G | | | | |
| | TYPE III (SOFT CALIPER BOOT) | 03-96→ | 54 | ATE | 3073-G | 10566 | P-545101 | 1 | 51 |
| | TYPE III (HARD BOOT) (DISC 22MM) | 03-96→ | 54 | ATE | 4318-G | 10890 | P-545502 | 1 | 55,5 |
| | TYPE III (HARD BOOT) | 03-96→ | 54 | ATE | 6033-G | | | | |
| | TYPE III | 03-96→ | 12 | ATE | 30023-G | | | | |
| | TYPE I | 01-88→01-91 | 20 | SUMITOMO | 30119-G | | | | |
| | TYPE I | 01-88→01-91 | 15,9 | | 3562-G | | | | |
| | TYPE III | 03-96→ | 17,5 | LUCAS | 3591-G | | | | |
| | TYPE III | 03-96→ | 19 | LUCAS | 3071-G | | | | |
| | TYPE III | 03-96→ | 22,2 | BEDNIX - BOSCH | 3410-G | | | | |

2

| | | | | | | | | | |
|--|-----------|--------|----|-----|----------------|-------|----------|---|------|
| | I SERIES | 04-03→ | 54 | ATE | 4318-G | 10890 | P-545502 | 1 | 55,5 |
| | I SERIES | 04-03→ | 54 | ATE | 6033-G | | | | |
| | II SERIES | 10-07→ | 54 | TRW | 6303-G | 11374 | P-544904 | 1 | 49 |
| | II SERIES | 10-07→ | 10 | TRW | 30129-G | | | | |
| | I SERIES | 04-03→ | 12 | ATE | 30023-G | | | | |
| | I SERIES | 04-03→ | 12 | ATE | 30023-G | | | | |

3

| | | | | | | | | | |
|--|-------------|-------------|------|-----|----------------|-------|----------|---|------|
| | I SERIES BK | 10-03→12-09 | 25,4 | ATE | 4960-G | | | | |
| | I SERIES BK | 10-03→12-09 | 57 | ATE | 4768-G | 10589 | P-575504 | 1 | 55,4 |
| | I SERIES BK | 10-03→12-09 | 12 | ATE | 30023-G | | | | |
| | I SERIES BK | 10-03→12-09 | 38 | ATE | 4797-G | 10667 | P-384902 | 1 | 49,7 |
| | I SERIES BK | 10-03→ | 12 | ATE | 30023-G | 11646 | K-384902 | 1 | 49,7 |



Master Cylinder



Front Caliper



Front Wheel Cylinder



Clutch Master Cylinder



Front Caliper Guides



Pressure Regulating Valve



Rear Caliper



Rear Wheel Cylinder



Clutch Slave Cylinder



Rear Caliper Guides

Ø
(mm.)

VERSION



MAZDA

2 of 8

323 (BA SERIE) 05-94→01-01

| | | | | | | | | | |
|--|---------------------------------|-------------|------|----------|----------------|-------|----------|---|------|
| | ALL TYPES (ABS) | 05-94→01-01 | 23,8 | | 4796-G | | | | |
| | ALL TYPES EXCEPT 2000 - P TYPE | 05-94→01-01 | 54 | SUMITOMO | 3823-G | 10650 | P-544401 | 1 | 44,5 |
| | P TYPES | 05-94→01-01 | 54 | SUMITOMO | 4488-G | 10881 | P-544902 | 1 | 49 |
| | ALL TYPES EXCEPT 2000 - P TYPES | 05-94→01-01 | 54 | SUMITOMO | 4985-G | | | | |
| | 2000 DOHC | 08-94→ | 57 | SUMITOMO | 4490-G | 10944 | P-574901 | 1 | 49 |
| | ALL TYPES | 05-94→01-01 | 30 | NABCO | 3825-G | 10600 | P-304501 | 1 | 45,5 |
| | | | | | | 11519 | K-304501 | 1 | 45,5 |
| | ALL TYPES | 05-94→01-01 | 12 | NABCO | 30024-G | | | | |

323 (BD SERIE) 06-80→10-89

| | | | | | | | | | |
|--|-----------|-------------|------|---------|----------------|-------|----------|---|----|
| | ALL TYPES | 06-80→10-89 | 20,6 | | 4107-G | | | | |
| | ALL TYPES | 06-80→10-89 | 54 | AKEBONO | 4613-G | 10887 | P-544601 | 1 | 46 |
| | ALL TYPES | 06-80→10-89 | 7 | AKEBONO | 30042-G | | | | |
| | ALL TYPES | 06-80→10-89 | 17,5 | | 3803-G | | | | |

323 (BF - BW SERIES) 08-85→10-98

| | | | | | | | | | |
|--|-----------|-------------|------|----------|----------------|-------|----------|---|------|
| | BF TYPES | 08-85→10-98 | 22,2 | | 3771-G | | | | |
| | ALL TYPES | 08-85→10-98 | 51 | SUMITOMO | 3822-G | 10864 | P-514503 | 1 | 45 |
| | ALL TYPES | 08-85→10-98 | 16 | SUMITOMO | 30111-G | | | | |
| | BW TYPES | 08-85→10-98 | 17,5 | | 3804-G | | | | |
| | BF TYPES | 08-85→10-98 | 17,5 | | 4182-G | | | | |
| | ALL TYPES | 08-85→10-98 | 30 | AKEBONO | 4277-G | 10636 | P-304101 | 1 | 41,6 |
| | | | | | | 11510 | K-304101 | 1 | 41,6 |
| | ALL TYPES | 08-85→10-98 | 15,9 | | 3774-G | | | | |
| | ALL TYPES | 08-85→10-98 | 19 | | 3807-G | | | | |

323 (BG SERIES) 04-87→09-00

| | | | | | | | | | |
|--|----------------------------|-------------|------|----------|----------------|-------|----------|---|------|
| | ALL TYPES | 04-87→09-00 | 22,2 | | 10200 | | | | |
| | ALL TYPES | 04-87→09-00 | 22,2 | | 4356-G | | | | |
| | ALL TYPES EXCEPT 1.8 TURBO | 04-87→09-00 | 54 | SUMITOMO | 3823-G | 10650 | P-544401 | 1 | 44,5 |
| | ALL TYPES EXCEPT 1.8 TURBO | 04-87→09-00 | 54 | SUMITOMO | 4985-G | | | | |
| | 1.8TURBO | 04-87→09-00 | 57 | SUMITOMO | 4894-G | 10648 | P-574901 | 1 | 49 |
| | ALL TYPES | 04-87→09-00 | 17,5 | | 3804-G | | | | |
| | ALL TYPES EXCEPT 1.8 TURBO | 04-87→09-00 | 30 | NABCO | 3825-G | 10600 | P-304501 | 1 | 45,5 |
| | | | | | | 11519 | K-304501 | 1 | 45,5 |
| | 1.8TURBO | 04-87→09-00 | 35 | AKEBONO | 4696-G | 11576 | P-353901 | 1 | 39,5 |
| | | | | | | 11584 | K-353901 | 1 | 39,5 |
| | ALL TYPES EXCEPT 1.8 TURBO | 04-87→09-00 | 12 | NABCO | 30024-G | | | | |



Master Cylinder



Front Caliper



Front Wheel Cylinder



Clutch Master Cylinder



Front Caliper Guides



Pressure Regulating Valve



Rear Caliper



Rear Wheel Cylinder



Clutch Slave Cylinder



Rear Caliper Guides

Ø
(mm.)

VERSION



MAZDA

3 of 8

323 (BJ SERIES) 05-98→05-04

| | | | | | | | | | |
|--|-----------------------|-------------|-------|----------|----------------|-------|----------|---|------|
| | 1.6 - 1.8 - 1.9 - 2.0 | 05-98→05-04 | 22,2 | | 4607-G | | | | |
| | 1.4 - 1.5 | 05-98→05-04 | 22,2 | SEIKEN | 4790-G | | | | |
| | 1.4 - 1.5 | 05-98→05-04 | 54 | SUMITOMO | 4488-G | 10881 | P-544902 | 1 | 49 |
| | 1.6 - 1.8 - 1.9 - 2.0 | 05-98→05-04 | 57 | SHINTEC | 3842-G | | | | |
| | 1.6 - 1.8 - 1.9 - 2.0 | 05-98→05-04 | 57 | SHINTEC | 4852-G | 10632 | P-574601 | 1 | 46,5 |
| | 1.4 - 1.5 | 05-98→05-04 | 10 | SUMITOMO | 30064-G | | | | |
| | 1.6 - 1.8 - 1.9 - 2.0 | 05-98→05-04 | 14 | SHINTEC | 30028-G | | | | |
| | ALL TYPES | 05-98→05-04 | 35 | AKEBONO | 4624-G | 10637 | P-354001 | 1 | 40 |
| | | | | | | 11588 | K-354001 | 1 | 40 |
| | ALL TYPES | 05-98→05-04 | 13 | AKEBONO | 30027-G | | | | |
| | ALL TYPES | 05-98→05-04 | 15,9 | | 4493-G | | | | |
| | ALL TYPES | 05-98→05-04 | 19 | | 4817-G | | | | |
| | ALL TYPES | 05-98→05-04 | 19,05 | | 6358-G | | | | |

323 (FA SERIES) 01-77→05-86

| | | | | | | | | | |
|--|-----------|-------------|------|---------|---------------|-------|----------|---|----|
| | ALL TYPES | 01-77→05-86 | 20,6 | | 4107-G | | | | |
| | ALL TYPES | 01-77→05-86 | 51 | AKEBONO | 6295-G | 11356 | P-514506 | 1 | 45 |
| | ALL TYPES | 01-77→05-86 | 19 | | 4187-G | | | | |

5

| | | | | | | | | | |
|--|----------|--------|----|-----|----------------|-------|----------|---|------|
| | I SERIES | 02-05→ | 57 | ATE | 4768-G | 10589 | P-575504 | 1 | 55,4 |
| | I SERIES | 02-05→ | 12 | ATE | 30023-G | | | | |
| | I SERIES | 02-05→ | 38 | ATE | 4797-G | 10667 | P-384902 | 1 | 49,7 |
| | | | | | | 11646 | K-384902 | 1 | 49,7 |
| | I SERIES | 02-05→ | 12 | ATE | 30023-G | | | | |

6

| | | | | | | | | | |
|--|--------------------------------|-------------|-------|-----------|----------------|-------|----------|---|------|
| | I SERIES (GG - GY) | 06-02→12-08 | 20,6 | SEIKEN | 4924-G | | | | |
| | I SERIES (GY) | 06-02→12-08 | 57 | NABCO | 3842-G | | | | |
| | I SERIES (GG - GY) (18" WHEEL) | 06-02→12-08 | 57 | ATE | 4768-G | 10589 | P-575504 | 1 | 55,4 |
| | I SERIES (GY) (DISC 25MM) | 06-02→12-08 | 57 | NABCO | 4852-G | 10937 | P-575203 | 1 | 52,2 |
| | I SERIES (GG) (DISC 24MM) | | | | | 11420 | P-574604 | 1 | 46 |
| | II SERIES (GH) | 08-07→ | 57 | MAZDA | 6312-G | 11424 | P-575204 | 1 | 52,5 |
| | III SERIES (GJ - GH) | 12-12→ | 57 | AKEBONO | 6381-G | | | | |
| | II SERIES (GH) | 08-07→ | 10 | MAZDA | 30139-G | | | | |
| | III SERIES (GJ - GH) | 12-12→ | 11 | AKEBONO | 30164-G | | | | |
| | I SERIES (GG - GY) | 06-02→12-08 | 14 | NISSHINBO | 30028-G | | | | |
| | I SERIES (GY) | 06-02→12-08 | 34 | TOKICO | 3539-G | 10515 | P-334601 | 1 | 46,8 |
| | | | | | | 11566 | K-334601 | 1 | 46,8 |
| | I - II SERIES (GG - GY - GH) | 06-02→ | 35 | AKEBONO | 4826-G | 10731 | P-354501 | 1 | 45 |
| | | | | | | 11590 | K-354501 | 1 | 45 |
| | III SERIES (GJ - GH) | 12-12→ | 38 | AKEBONO | 6376-G | | | | |
| | I - II SERIES (GG - GH) | 06-02→ | 9 | AKEBONO | 30010-G | | | | |
| | III SERIES (GJ - GH) | 12-12→ | 10 | AKEBONO | 30156-G | | | | |
| | I SERIES (GG - GY) | 06-02→12-08 | 15,9 | SEIKEN | 6351-G | | | | |
| | I SERIES (GG - GY) | 06-02→12-08 | 19 | | 4817-G | | | | |
| | I SERIES (GG - GY) | 06-02→12-08 | 19,05 | | 6358-G | | | | |



Master Cylinder



Front Caliper



Front Wheel Cylinder



Clutch Master Cylinder



Front Caliper Guides



Pressure Regulating Valve



Rear Caliper



Rear Wheel Cylinder



Clutch Slave Cylinder



Rear Caliper Guides

Ø
(mm.)

VERSION

**MAZDA**

5 of 8

929

| | | | | | | | | | |
|--|---|-------------|------|----------|---------------|-------|----------|---|------|
| | I SEREIS (LA) (RHD) | 02-81→07-86 | 22,2 | | 3771-G | | | | |
| | I SERIES (LA) | 05-79→07-86 | 22,2 | | 3773-G | | | | |
| | II SERIES (HB - HV) (RHD) | 05-82→07-87 | 22,2 | | 3990-G | | | | |
| | I SERIES (LA) (RHD) | 05-79→01-81 | 22,2 | | 4100-G | | | | |
| | III SERIES (HC) (RHD) | 05-87→ | 22,2 | SEIKEN | 4406-G | | | | |
| | I - II SERIES (LA - HB - HV) (LA - HV) | 05-79→12-87 | 54 | AKEBONO | 4274-G | 10906 | P-544501 | 1 | 45 |
| | I - II SERIES (LA - HB - HV) (FOR TWO WHEELS) | 05-79→12-87 | 54 | AKEBONO | 4419-G | | | | |
| | II SERIES (HB) | 05-82→07-87 | 54 | AKEBONO | 4486-G | 11396 | P-544302 | 1 | 43 |
| | I SERIES (LA) | 05-79→07-86 | 54 | AKEBONO | 4508-G | | | | |
| | III SERIES (HC) | 05-87→06-91 | 54 | SUMITOMO | 4725-G | 11388 | P-544603 | 1 | 46 |
| | I SERIES (LA) | 01-79→01-81 | 17,5 | | 4514-G | | | | |
| | I SERIES (LA) | 02-85→07-86 | 22,2 | | 4188-G | | | | |
| | II SERIES (HB - HV) | 05-82→12-87 | 35 | AKEBONO | 4276-G | 11577 | P-353901 | 1 | 39,5 |
| | | | | | | 11585 | K-353901 | 1 | 39,5 |
| | III SERIES (HC) | 05-87→06-91 | 38 | AKEBONO | 4443-G | | | | |
| | II SERIES (HB - HV) | 05-82→12-87 | 15,9 | | 3739-G | | | | |
| | III SERIES (HC) | 06-87→06-91 | 15,9 | | 3774-G | | | | |
| | ALL TYPES | | 19 | | 3807-G | | | | |

B SERIES

| | | | | | | | | | |
|--|-----------------------------|-------------|------|---------|----------------|-------|----------|---|------|
| | II SERIES (SIMPLE CIRCUIT) | 01-71→01-77 | 19 | | 3959-G | | | | |
| | III SERIES (RHD) | 01-77→01-81 | 19 | | 4410-G | | | | |
| | III SERIES | 01-82→01-84 | 20,6 | | 4107-G | | | | |
| | IV SERIES | 01-85→ | 22,2 | | 3771-G | | | | |
| | II - III SERIES | 01-71→01-81 | 25,4 | | 4190-G | | | | |
| | IV SERIES | 02-96→06-99 | 43 | AKEBONO | 4460-G | 10695 | P-434801 | 2 | 48 |
| | IV - V SERIES | 01-95→ | 46 | | 6281-G | | | | |
| | III SERIES | 01-77→09-81 | 54 | AKEBONO | 3577-G | | | | |
| | III SERIES | 01-81→07-85 | 54 | AKEBONO | 3714-G | | | | |
| | IV SERIES | 01-85→06-99 | 54 | AKEBONO | 3824-G | 11394 | P-544501 | 1 | 45 |
| | III SERIES | 01-81→07-85 | 54 | AKEBONO | 4274-G | 10906 | P-544501 | 1 | 45 |
| | III SERIES (FOR TWO WHEELS) | 01-81→07-85 | 54 | AKEBONO | 4419-G | | | | |
| | V SERIES (SOFT BOOT) | 06-99→ | 60 | | 4599-G | | | | |
| | V SERIES | 06-99→ | 60 | PBR | 6022-G | 10968 | P-604805 | 1 | 48,3 |
| | IV SERIES | 01-85→06-99 | 15 | AKEBONO | 30132-G | | | | |
| | III SERIES | 01-77→07-85 | 20,6 | | 4421-G | | | | |
| | II - III SERIES | 01-71→07-85 | 15,9 | | 3739-G | | | | |
| | IV SERIES | 02-86→06-99 | 15,9 | | 3774-G | | | | |
| | III SERIES | 01-77→07-85 | 19 | | 3807-G | | | | |

BT-50

| | | | | | | | | | |
|--|-----------|--------|----|--------|---------------|-------|----------|---|------|
| | ALL TYPES | 08-06→ | 43 | TOKICO | 3900-G | 10781 | P-434802 | 2 | 48 |
| | 2.5 CD | 08-06→ | 60 | PBR | 6022-G | 10968 | P-604805 | 1 | 48,3 |

CX-5

| | | | | | | | | | |
|--|-----------|--------|----|---------|---------------|-------|----------|---|------|
| | ALL TYPES | 11-11→ | 38 | AKEBONO | 6375-G | 11841 | P-384601 | 1 | 46,8 |
| | | | | | | 11842 | K-384601 | 1 | 46,8 |



Master Cylinder



Front Caliper



Front Wheel Cylinder



Clutch Master Cylinder



Front Caliper Guides



Pressure Regulating Valve



Rear Caliper



Rear Wheel Cylinder



Clutch Slave Cylinder



Rear Caliper Guides

Ø
(mm.)

VERSION



MAZDA

6 of 8

CX-7

| | | | | | | | | | |
|--|----------------|--------|----|----------|----------------|-------|----------|---|----|
| | MZR DISI TURBO | 10-07→ | 45 | SUMITOMO | 4762-G | 11296 | P-455304 | 2 | 53 |
| | MZR DISI TURBO | 06-06→ | 11 | SUMITOMO | 30147-G | | | | |
| | MZR DISI TURBO | 10-07→ | 43 | KASKO | 6089-G | 10793 | P-434802 | 1 | 48 |
| | MZR DISI TURBO | 10-07→ | 9 | KASKO | 30008-G | | | | |

CX-9

| | | | | | | | | | |
|--|-----|--------|----|----------|----------------|-------|----------|---|----|
| | 3.7 | 01-07→ | 45 | SUMITOMO | 4762-G | 11296 | P-455304 | 2 | 53 |
| | 3.7 | 01-07→ | 11 | SUMITOMO | 30147-G | | | | |
| | 3.7 | 01-07→ | 43 | KASKO | 6089-G | 10793 | P-434802 | 1 | 48 |
| | 3.7 | 01-07→ | 9 | KASKO | 30008-G | | | | |

DEMIO

| | | | | | | | | | |
|--|------------------|--------|------|----------|----------------|-------|----------|---|----|
| | ALL TYPES (-ABS) | 08-98→ | 22,2 | | 4356-G | | | | |
| | ALL TYPES | 08-98→ | 23,8 | | 4533-G | | | | |
| | ALL TYPES | 08-98→ | 51 | SUMITOMO | 4284-G | 10858 | P-514503 | 1 | 45 |
| | ALL TYPES | 08-98→ | 51 | SUMITOMO | 6005-G | | | | |
| | ALL TYPES | 08-98→ | 16 | SUMITOMO | 30108-G | | | | |
| | ALL TYPES (-ABS) | 08-98→ | 15,9 | | 3562-G | | | | |

E1 - E2 (VAN - WAGON - PICK-UP)

| | | | | | | | | | |
|--|-------------------------|-------------|------|-------------|----------------|-------|----------|---|------|
| | II SERIES | 01-78→01-83 | 20,6 | | 4107-G | | | | |
| | III SERIES | 01-84→ | 22,2 | | 3990-G | | | | |
| | III SERIES | 01-84→ | 28,6 | | 4221-G | | | | |
| | IV SERIES E2200 D | 01-99→ | 43 | AP LOCKHEED | 6260-G | 11252 | P-434901 | 2 | 48,9 |
| | III SERIES | 01-84→ | 60 | SUMITOMO | 4506-G | 10984 | P-604602 | 1 | 46 |
| | IV SERIES E2000 - E2200 | 08-06→ | 11 | SUMITOMO | 30147-G | | | | |
| | ALL TYPES | | 17,5 | | 4216-G | | | | |
| | III SERIES | 01-84→ | 19 | | 4737-G | | | | |
| | IV SERIES SR2 TYPES | 05-85→05-03 | 15,9 | | 3774-G | | | | |
| | II - III SERIES | 01-81→ | 19 | | 3807-G | | | | |

E2 - E3 - T (TRUCKS)

| | | | | | | | | | |
|--|--|-------------|------|----------|----------------|-------|----------|---|----|
| | II SERIES (SIMPLE CIRCUIT) | 01-81→ | 25,4 | | 4527-G | | | | |
| | I SERIES (SIMPLE CIRCUIT) | 01-71→01-80 | 25,4 | | 4530-G | | | | |
| | I SERIES E 2.0 - E 3.0 (2 TON) | 01-77→01-80 | 28,6 | | 4192-G | | | | |
| | II SERIES (T) (TWIN REAR WHEELS) | 01-81→ | 28,6 | | 4221-G | | | | |
| | II SERIES (T) (SINGLE REAR WHEEL) | 01-81→ | 28,6 | | 4222-G | | | | |
| | II - III - IV SERIES | 01-84→05-03 | 60 | SUMITOMO | 4506-G | 10984 | P-604602 | 1 | 46 |
| | VI SERIES E2000 - E2200 | 08-06→ | 11 | SUMITOMO | 30147-G | | | | |
| | I SERIES E 2.0 - E 3.0 - (2 TON) | 01-77→01-80 | 23,8 | | 4193-G | | | | |
| | I SERIES E 2.0 - E 3.0 (2 TON) (DUAL WHEELS) | 01-77→01-80 | 25,4 | | 4194-G | | | | |
| | II SERIES (T) (DUAL WHEELS) | 01-81→ | 25,4 | | 4228-G | | | | |
| | I SERIES E 2.0 - E 3.0 | 01-77→01-80 | 15,9 | | 3739-G | | | | |
| | II SERIES | 01-81→ | 15,9 | | 3774-G | | | | |
| | II SERIES (T) | 01-81→01-84 | 17,5 | | 4229-G | | | | |
| | I SERIES E2.0 - E3.0 | 01-77→01-80 | | | | | | | |
| | II SERIES (T) | 01-84→ | 19 | | 4226-G | | | | |
| | II SERIES (T) | 01-84→ | 19 | | 4376-G | | | | |



Master Cylinder



Front Caliper



Front Wheel Cylinder



Clutch Master Cylinder



Front Caliper Guides



Pressure Regulating Valve



Rear Caliper



Rear Wheel Cylinder



Clutch Slave Cylinder



Rear Caliper Guides

Ø
(mm.)

VERSION

**MAZDA**

7 of 8

FAMILIA

| | | | | | | | |
|--|------------------------------|--------|------|--|--|--|---------------|
| | BD1031 - 1051 (EXCEPT TURBO) | 05-80→ | 20,6 | | | | 4651-G |
| | ALL TYPES | 01-87→ | 22,2 | | | | 4587-G |

LASER

| | | | | | | | |
|--|----------------------|--------|------|--|--|--|---------------|
| | BE5PF (EXCEPT TURBO) | 09-82→ | 20,6 | | | | 4651-G |
| | E-BFTPF | 01-87→ | 22,2 | | | | 4587-G |

MPV

| | | | | | | | | |
|--|--------------------------------------|-------------|------|----------|--------------|-------|---------------|----------------|
| | II SERIES | 08-99→02-06 | 11 | SUMITOMO | | | | 30147-G |
| | II SERIES 2.0 DIESEL TURBO - 2.3 16V | 06-02→02-06 | 38 | SUMITOMO | 11499 | 11499 | P-385203 | 1 52,5 |
| | I - II SERIES | 03-95→07-02 | 15,9 | | | | 3774-G | |

MX3

| | | | | | | | | |
|--|-----------|--------|------|----------|----------------|-------|---------------|--------|
| | ALL TYPES | 07-91→ | 22,2 | | | | 4356-G | |
| | ALL TYPES | 07-91→ | 54 | SUMITOMO | 3823-G | 10650 | P-544401 | 1 44,5 |
| | ALL TYPES | 07-91→ | 54 | SUMITOMO | 4985-G | | | |
| | ALL TYPES | 07-91→ | 16 | SUMITOMO | 30111-G | | | |
| | ALL TYPES | 07-91→ | 30 | AKEBONO | 6027-G | 11011 | P-304001 | 1 40 |
| | | | | | | 11516 | K-304001 | 1 40 |

MX5

| | | | | | | | | | |
|--|--------------------------|-------------|------|-----------|----------------|-------|---------------|----------|--------|
| | (NA) 1.6 - 1.6i | 09-89→ | 22,2 | | | | 4356-G | | |
| | (NA) SERIES | 09-89→04-98 | 51 | SUMITOMO | 4639-G | 10853 | P-514601 | 1 46 | |
| | (NB) SERIES (DISC 255MM) | 01-98→10-05 | | | | | P-514601 | 1 46 | |
| | (NC) SERIES | 03-05→ | 54 | SUMITOMO | 4488-G | 10881 | P-544902 | 1 49 | |
| | (NB) SERIES (DISC 27MM) | 01-98→10-05 | | | | | P-544902 | 1 49 | |
| | (NB) SERIES (DISC 251MM) | 01-98→10-05 | 32 | NISSHINBO | 4528-G | 10707 | P-324501 | 1 45,5 | |
| | (NA) SERIES | 09-89→04-98 | | | | | P-324501 | 1 45,5 | |
| | | | | | | | 11533 | K-324501 | 1 45,5 |
| | (NB) SERIES (DISC 251MM) | 01-98→10-05 | | | | | K-324501 | 1 45,5 | |
| | (NB) SERIES (DISC 276MM) | 08-00→10-05 | 35 | NISSHINBO | 4988-G | 11583 | P-354505 | 1 45,5 | |
| | | | | | | | 11593 | K-354505 | 1 45,5 |
| | (NC) SERIES | 03-05→ | 38 | NISSIN | 4445-G | 10638 | P-384701 | 1 47,2 | |
| | | | | | | | 11644 | K-384701 | 1 47,2 |
| | (NA) SERIES | 09-89→04-98 | 12 | NISSHINBO | 30024-G | | | | |

MX6

| | | | | | | | | | |
|--|-----------------------|--------|------|-----------|----------------|-------|---------------|----------|--------|
| | (GE) SERIES | 07-91→ | 23,8 | | | | 4796-G | | |
| | (GE) SERIES 2.0 - 2.5 | 07-91→ | 57 | SHINTEC | 3842-G | | | | |
| | (GE) SERIES 2.0 - 2.5 | 07-91→ | 57 | SHINTEC | 4852-G | 10632 | P-574601 | 1 46,5 | |
| | (GE) SERIES | 07-91→ | 14 | SHINTEC | 30028-G | | | | |
| | (GE) SERIES | 07-91→ | 30 | NISSHINBO | 3825-G | 10600 | P-304501 | 1 45,5 | |
| | | | | | | | 11519 | K-304501 | 1 45,5 |
| | (GE) SERIES | 07-91→ | 12 | NISSHINBO | 30024-G | | | | |
| | (GD - GE) SERIES | 10-81→ | 15,9 | | | | 3774-G | | |



Master Cylinder



Front Caliper



Front Wheel Cylinder



Clutch Master Cylinder



Front Caliper Guides



Pressure Regulating Valve



Rear Caliper



Rear Wheel Cylinder



Clutch Slave Cylinder



Rear Caliper Guides

Ø
(mm.)

VERSION



MAZDA

8 of 8

PREMACY

| | | | | | | | | | |
|--|-----------|-------------|-------|---------|----------------|-------|----------|---|------|
| | ALL TYPES | 07-99→02-05 | 57 | SHINTEC | 3842-G | | | | |
| | ALL TYPES | 07-99→02-05 | 57 | SHINTEC | 4852-G | 10632 | P-574601 | 1 | 46,5 |
| | ALL TYPES | 07-99→02-05 | 14 | SHINTEC | 30028-G | | | | |
| | ALL TYPES | 07-99→02-05 | 35 | AKEBONO | 4624-G | 10637 | P-354001 | 1 | 40 |
| | ALL TYPES | 07-99→02-05 | 13 | AKEBONO | 30027-G | 11588 | K-354001 | 1 | 40 |
| | ALL TYPES | 07-99→02-05 | 19 | | 4817-G | | | | |
| | ALL TYPES | 07-99→02-05 | 19,05 | | 6358-G | | | | |

RX5

| | | | | | | | | | |
|--|-----------|--------|----|---------|---------------|-------|----------|---|----|
| | ALL TYPES | 01-75→ | 51 | AKEBONO | 6295-G | 11356 | P-514506 | 1 | 45 |
| | ALL TYPES | 01-75→ | 35 | AKEBONO | 4697-G | | | | |

RX7

| | | | | | | | | | |
|--|-----------------------------------|-------------|------|----------|---------------|-------|----------|---|------|
| | III SERIES | 01-92→ | 23,8 | | 4796-G | | | | |
| | II SERIES (4 PISTONS) | 11-85→01-92 | 36 | SUMITOMO | 4700-G | 11605 | P-363003 | 4 | 30 |
| | I SERIES | 01-78→ | 51 | AKEBONO | 6295-G | 11356 | P-514506 | 1 | 45 |
| | I - II SERIES (DISC 20MM) | 01-81→01-92 | 35 | AKEBONO | 4696-G | 11576 | P-353901 | 1 | 39,5 |
| | | | | | | 11584 | K-353901 | 1 | 39,5 |
| | I SERIES (DISC 10MM) | 01-81→03-84 | 35 | AKEBONO | 4699-G | 11578 | P-353901 | 1 | 39,5 |
| | | | | | | 11586 | K-353901 | 1 | 39,5 |
| | WANKEL TWIN TURBO III (DISC 20MM) | 01-92→ | 35 | AKEBONO | 6064-G | 10719 | P-354001 | 1 | 40 |
| | | | | | | 11589 | K-354001 | 1 | 40 |
| | I - II - III SERIES | 01-79→ | 15,9 | | 3774-G | | | | |

RX8

| | | | | | | | | | |
|--|--------------|--------|-------|----------|----------------|-------|----------|---|------|
| | 2.6 | 10-03→ | 54 | SUMITOMO | 6092-G | 10928 | P-545001 | 1 | 50,5 |
| | 2.6 | 10-03→ | 43 | TOKICO | 4459-G | 10528 | P-424601 | 1 | 46,8 |
| | | | | | | 11746 | K-424601 | 1 | 46,8 |
| | 2.6 | 10-03→ | 10 | TOKICO | 30013-G | | | | |
| | 2.6 - WANKEL | 10-03→ | 19 | | 4817-G | | | | |
| | 2.6 - WANKEL | 10-03→ | 19,05 | | 6358-G | | | | |

TRIBUTE

| | | | | | | | | | |
|--|---------------------|-------------|----|-----|---------------|-------|----------|---|------|
| | 2.0 - 3.0 | 01-01→12-03 | 60 | ATE | 3133-G | | | | |
| | 2.3 AWD - 3.0V6 AWD | 04-04→ | 66 | ATE | 6338-G | 11838 | P-665501 | 1 | 55,5 |
| | 2.3 - 3.0 | 12-03→ | 40 | ATE | 4510-G | 11674 | P-405501 | 1 | 55 |

XEDOS

| | | | | | | | | | |
|--|--------|--------|------|-----------|----------------|-------|----------|---|------|
| | 6 (CA) | 01-92→ | 23,8 | | 4796-G | | | | |
| | 9 TA | 01-92→ | 43 | AKEBONO | 4460-G | 10695 | P-434801 | 2 | 48 |
| | 6 (CA) | 01-92→ | 57 | SHINTEC | 3842-G | | | | |
| | 6 (CA) | 01-92→ | 57 | SHINTEC | 4852-G | 10632 | P-574601 | 1 | 46,5 |
| | 6 (CA) | 01-92→ | 14 | AKEBONO | 30028-G | | | | |
| | 6 (CA) | 01-92→ | 30 | NISSHINBO | 3825-G | 10600 | P-304501 | 1 | 45,5 |
| | | | | | | 11519 | K-304501 | 1 | 45,5 |
| | 9 TA | 01-92→ | 35 | AKEBONO | 4437-G | 11575 | P-354601 | 1 | 46 |
| | 6 (CA) | 01-92→ | 12 | NISSHINBO | 30024-G | | | | |
| | 6 (CA) | 01-92→ | 15,9 | | 3774-G | | | | |



Master Cylinder



Front Caliper



Front Wheel Cylinder



Clutch Master Cylinder



Front Caliper Guides



Pressure Regulating Valve



Rear Caliper



Rear Wheel Cylinder



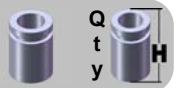
Clutch Slave Cylinder



Rear Caliper Guides

Ø
(mm.)

VERSION

**MERCEDES**

1 of 19

123 - 200 - 300 (W123 SERIES) 76→86

| | | | | | | | | | |
|--|----------------------|-------------|------|----------------|---------------|-------|----------|---|------|
| | ALL TYPES | | 19 | ATE | 3445-G | | | | |
| | ALL TYPES | | 19 | BEDNIX - BOSCH | 3454-G | | | | |
| | ALL TYPES | | 19 | LUCAS | 3455-G | | | | |
| | ALL TYPES | →08-85 | 19 | ATE | 4673-G | | | | |
| | ALL TYPES | 08-79→09-85 | 60 | ATE | 3447-G | 10972 | P-603101 | 2 | 31 |
| | | 01-76→07-79 | | | | 10971 | P-602901 | 2 | 29,5 |
| | ALL TYPES | | 60 | BEDNIX - BOSCH | 3456-G | 10970 | P-603002 | 2 | 30,8 |
| | ALL TYPES | | 38 | BEDNIX - BOSCH | 3371-G | 10740 | P-383102 | 2 | 31,7 |
| | ALL TYPES | | 38 | GIRLING | 3451-G | 11635 | P-382905 | 2 | 29 |
| | (EXCEPT T - Te - TD) | | | ATE - LUCAS | | 10603 | P-382901 | 2 | 29,9 |
| | 300 TD | 08-81→07-85 | 42 | ATE | 3370-G | 10777 | P-422901 | 2 | 29,5 |
| | T - Te - TD | | 42 | ATE | 3450-G | | | | |
| | ALL TYPES | | 19 | FAG | 10298 | | | | |
| | ALL TYPES | 01-76→ | 19 | FAG | 3207-G | | | | |
| | ALL TYPES | 03-79→12-85 | 19 | FAG | 3452-G | | | | |
| | ALL TYPES | | 23,8 | ATE | 3460-G | | | | |
| | ALL TYPES | 01-76→ | 23,8 | FAG | 3461-G | | | | |

124 - 200 - 500 (W124 SERIES) 85→06-93

| | | | | | | | | | |
|--|---|-------------|------|----------------|----------------|-------|----------|---|------|
| | ALL TYPES (-ABS) | | 19 | ATE | 3445-G | | | | |
| | 300 E24 - CE24 - TE24 (4 PISTONS 38-42MM) | 01-90→06-93 | 38 | ATE | 4449-G | 10750 | P-423001 | 2 | 30,8 |
| | | | | | | | P-383002 | 2 | 30,8 |
| | EXCEPT 24V | | 54 | ATE - LUCAS | 3220-G | 10570 | P-545301 | 1 | 53,7 |
| | 500E (2 PISTONS) | 01-91→06-93 | 57 | ATE | 3668-G | | | | |
| | ALL TYPES | | 8 | LUCAS | 30003-G | | | | |
| | ALL TYPES (SOFT CALIPER BOOT) | | 35 | ATE | 3449-G | 10630 | P-352801 | 2 | 28,5 |
| | ALL TYPES | | | BEDNIX - BOSCH | | 10646 | P-352601 | 2 | 26,6 |
| | ALL TYPES | | 38 | ATE - LUCAS | 3451-G | 10666 | P-382802 | 2 | 28,5 |
| | SEDAN | 12-84→06-93 | 19 | FAG | 11839 | | | | |
| | ALL TYPES | | 19 | FAG | 3452-G | | | | |
| | ALL TYPES | | 23,8 | FAG | 3461-G | | | | |

190 (W201) 10-82→08-93

| | | | | | | | | | |
|--|-------------------------------|-------------|------|----------------|----------------|-------|----------|---|------|
| | ALL TYPES | | 17,5 | BEDNIX - BOSCH | 3444-G | | | | |
| | ALL TYPES (-ABS) | | 19 | ATE | 3445-G | | | | |
| | ALL TYPES | | 19 | LUCAS | 4674-G | | | | |
| | 190E 2.5 16V | 01-89→01-94 | 38 | ATE | 4449-G | 11622 | P-423002 | 2 | 30,2 |
| | | | | | | | P-383003 | 2 | 30,2 |
| | ALL TYPES | | 54 | LUCAS | 3220-G | 10563 | P-544901 | 1 | 49,8 |
| | ALL TYPES | | 8 | LUCAS | 30003-G | | | | |
| | ALL TYPES (SOFT CALIPER BOOT) | | 35 | ATE - BENDIX | 3449-G | 10630 | P-352801 | 2 | 28,5 |
| | ALL TYPES | | | | | 10646 | P-352601 | 2 | 26,6 |
| | E EVOLUTION II 2.5 | 05-90→08-93 | 38 | ATE | 3451-G | 10603 | P-382901 | 2 | 29,9 |
| | ALL TYPES | 10-82→08-93 | 19 | FAG | 11839 | | | | |
| | ALL TYPES | | 19 | FAG | 3452-G | | | | |
| | ALL TYPES | | 23,8 | FAG | 3461-G | | | | |



Master Cylinder



Front Caliper



Front Wheel Cylinder



Clutch Master Cylinder



Front Caliper Guides



Pressure Regulating Valve



Rear Caliper



Rear Wheel Cylinder



Clutch Slave Cylinder



Rear Caliper Guides

Ø
(mm.)

VERSION

**MERCEDES**

2 of 19

8 (W114) 68→02-77

| | | | | | | | | | |
|--|-----------------|-------------|------|----------------|---------------|-------|----------|---|------|
| | ALL TYPES | | 23,8 | ATE | 3176-G | | | | |
| | EXCEPT 240D 3.0 | | 57 | ATE | 3446-G | 10940 | P-573001 | 2 | 30 |
| | ALL TYPES | | 57 | BEDNIX - BOSCH | 3448-G | 11413 | P-573101 | 2 | 31 |
| | ALL TYPES | | 60 | ATE | 3447-G | 10971 | P-602901 | 2 | 29,5 |
| | 230 - 250 - 280 | 01-68→01-76 | 38 | BEDNIX - BOSCH | 3371-G | 10740 | P-383102 | 2 | 31,7 |
| | ALL TYPES | | 38 | GIRLING | 3451-G | 11635 | P-382905 | 2 | 29 |
| | | | | ATE - LUCAS | | 10603 | P-382901 | 2 | 29,9 |
| | ALL TYPES | | 19 | FAG | 10298 | | | | |
| | ALL TYPES | | 19 | ATE - FAG | 3173-G | | | | |
| | ALL TYPES | | 19 | FAG | 3207-G | | | | |
| | LAST SERIES | | 19 | ATE | 3453-G | | | | |
| | ALL TYPES | 01-68→ | 23,8 | FAG | 3172-G | | | | |
| | ALL TYPES | 01-68→ | 23,8 | ATE | 3460-G | | | | |

8 (W115) 68→2-77

| | | | | | | | | | |
|--|-----------------------|-------------|------|----------------|---------------|-------|----------|---|------|
| | ALL TYPES | | 23,8 | ATE | 3176-G | | | | |
| | EXCEPT 240D 3.0 | | 57 | ATE | 3446-G | 10940 | P-573001 | 2 | 30 |
| | ALL TYPES | | 57 | BEDNIX - BOSCH | 3448-G | 11413 | P-573101 | 2 | 31 |
| | ALL TYPES | | 60 | ATE | 3447-G | 10971 | P-602901 | 2 | 29,5 |
| | 200 - 220 - 230 - 240 | 01-68→01-77 | 38 | BEDNIX - BOSCH | 3371-G | 10740 | P-383102 | 2 | 31,7 |
| | ALL TYPES | | 38 | ATE - LUCAS | 3451-G | 11635 | P-382905 | 2 | 29 |
| | | | | ATE | | 10603 | P-382901 | 2 | 29,9 |
| | ALL TYPES | | 19 | FAG | 10298 | | | | |
| | ALL TYPES | | 19 | ATE - FAG | 3173-G | | | | |
| | ALL TYPES | | 19 | FAG | 3207-G | | | | |
| | LAST SERIES | | 19 | ATE | 3453-G | | | | |
| | ALL TYPES | 01-68→ | 23,8 | FAG | 3172-G | | | | |
| | ALL TYPES | | 23,8 | ATE | 3460-G | | | | |

A-CLASS (W168) 07-97→08-04

| | | | | | | | | | |
|--|--------------------|--|------|-------|----------------|-------|----------|---|------|
| | ALL TYPES (-EPS) | | 22,2 | LUCAS | 4791-G | | | | |
| | ALL TYPES (EPS) | | 22,2 | LUCAS | 4832-G | | | | |
| | ALL TYPES | | 54 | LUCAS | 4484-G | 10565 | P-544901 | 1 | 49,8 |
| | ALL TYPES (BA4) | | 57 | LUCAS | 3839-G | 10585 | P-575001 | 1 | 49,8 |
| | ALL TYPES | | 10 | LUCAS | 30017-G | | | | |
| | A160 - A170 - A190 | | 28 | LUCAS | 4953-G | 10705 | P-284701 | 1 | 47,5 |
| | ALL TYPES | | 10 | LUCAS | 30016-G | | | | |

A-CLASS (W169) 09-04→

| | | | | | | | | | |
|--|------------------------------|--|----|-------|----------------|-------|----------|---|------|
| | ALL TYPES EXCEPT A150 - A160 | | 57 | LUCAS | 6063-G | 10938 | P-575401 | 1 | 54,8 |
| | A150 - A160 | | | | | 10935 | P-575302 | 1 | 53,6 |
| | ALL TYPES | | 10 | LUCAS | 30041-G | | | | |
| | ALL TYPES | | 30 | TRW | 6097-G | 11006 | P-304702 | 1 | 47,5 |
| | ALL TYPES | | 10 | TRW | 30016-G | | | | |

A-CLASS (W176) 06-12→

| | | | | | | | | | |
|--|---------------------------|--------|----|-----|---------------|-------|----------|---|----|
| | ALL TYPES | 06-12→ | 60 | TRW | 6178-G | 11462 | P-605301 | 1 | 53 |
| | A180 (ELECTRIC HANDBRAKE) | 06-12→ | 34 | TRW | 6225-G | 11573 | P-345201 | 1 | 52 |



Master Cylinder



Front Caliper



Front Wheel Cylinder



Clutch Master Cylinder



Front Caliper Guides



Pressure Regulating Valve



Rear Caliper



Rear Wheel Cylinder



Clutch Slave Cylinder



Rear Caliper Guides

Ø
(mm.)

VERSION

**MERCEDES****3 of 19****B-CLASS (W245) 03-05→**

| | | | | | | | | |
|--|-----------|----|-------|----------------|-------|----------|---|------|
| | ALL TYPES | 57 | LUCAS | 6063-G | 10938 | P-575401 | 1 | 54,8 |
| | ALL TYPES | 10 | LUCAS | 30041-G | | | | |
| | ALL TYPES | 30 | TRW | 6097-G | 11006 | P-304702 | 1 | 47,5 |
| | ALL TYPES | 10 | TRW | 30016-G | | | | |

B-CLASS (W246) 11-11→

| | | | | | | | | | |
|--|------|--------|----|-----|---------------|-------|----------|---|----|
| | B180 | 11-11→ | 60 | TRW | 6178-G | 11462 | P-605301 | 1 | 53 |
|--|------|--------|----|-----|---------------|-------|----------|---|----|

CABRIOLET (A124) 9-91→6-93

| | | | | | | | | |
|--|-------------------------------|-------------|-------|----------------|--------------|----------|---|------|
| | ALL TYPES | 19 | ATE | 3445-G | | | | |
| | ALL TYPES (4 PISTONS 38-42MM) | 38 | ATE | 4449-G | | | | |
| | ALL TYPES | 8 | LUCAS | 30003-G | | | | |
| | ALL TYPES | 38 | ATE | 3451-G | 10666 | P-382802 | 2 | 28,5 |
| | ALL TYPES | 04-92→06-93 | 19 | FAG | 11839 | | | |
| | ALL TYPES | 19 | FAG | 3452-G | | | | |

CABRIOLET HECKFLOSSE (W110-W111) 59→72

| | | | | | | | | | |
|--|--------------------|-------------|------|----------------|----------------|-------|----------|---|------|
| | ALL TYPES | 01-65→ | 23,8 | ATE - FAG | 3176-G | | | | |
| | ALL TYPES | | 57 | ATE | 3446-G | 10940 | P-573001 | 2 | 30 |
| | ALL TYPES | 01-60→01-68 | 19 | ATE | 4738-G | | | | |
| | ALL TYPES | | 23,8 | BEDNIX - BOSCH | 10173-G | | | | |
| | 280 SE (2 PISTONS) | 01-69→12-71 | 35 | ATE | 3256-G | | | | |
| | 250SE - 280SE | 01-65→12-71 | 42 | ATE | 3370-G | 10777 | P-422901 | 2 | 29,5 |
| | ALL TYPES | | 42 | ATE | 3450-G | | | | |
| | ALL TYPES | | 19 | FAG | 3204-G | | | | |
| | ALL TYPES | | 19 | ATE | 3453-G | | | | |
| | ALL TYPES | | 20,6 | FAG | 3208-G | | | | |
| | ALL TYPES | | 23,8 | ATE | 3460-G | | | | |

C-CLASS (S202-S203) 6-96→

| | | | | | | | | | |
|--|------------------------------|-------------|--------|----------------|---------------|----------|----------|------|------|
| | (S203) C30 - C32 - C55 - AMG | 40 | BREMBO | 4887-G | 10764 | P-443201 | 2 | 32 | |
| | | | | | | P-403202 | 2 | 32 | |
| | ALL TYPES | 57 | LUCAS | 6063-G | 10938 | P-575401 | 1 | 54,8 | |
| | ALL TYPES | 57 | BREMBO | 6319-G | 11445 | P-573102 | 2 | 31 | |
| | (S202) SERIES | 8 | LUCAS | 30003-G | | | | | |
| | ALL TYPES | 10 | LUCAS | 30078-G | | | | | |
| | ALL TYPES (HARD BOOT) | 36 | ATE | 4382-G | 10726 | P-363001 | 2 | 30,6 | |
| | WAGON 43 AMG | 06-96→03-01 | 36 | ATE | 4900-G | 10732 | P-362902 | 2 | 29,6 |
| | ALL TYPES | 06-96→03-01 | 38 | ATE | 3451-G | 10666 | P-382802 | 2 | 28,5 |
| | (S203) SERIES | 42 | ATE | 4646-G | 11229 | P-423003 | 2 | 30 | |
| | | | | | 11710 | P-423003 | 2 | 30 | |



Master Cylinder



Front Caliper



Front Wheel Cylinder



Clutch Master Cylinder



Front Caliper Guides



Pressure Regulating Valve



Rear Caliper



Rear Wheel Cylinder



Clutch Slave Cylinder



Rear Caliper Guides

Ø
(mm.)

VERSION

**MERCEDES**

4 of 19

C-CLASS (T202) 6-96→3-01

| | | | | | | | | | |
|--|-------------------------------|--|------|----------------|---------------|-------|----------|---|------|
| | ALL TYPES | | 17,5 | BEDNIX - BOSCH | 3444-G | | | | |
| | ALL TYPES | | 19 | ATE | 3445-G | | | | |
| | C180 - 200 - 220D - 230 - 240 | | 54 | LUCAS | 3220-G | 10570 | P-545301 | 1 | 53,7 |
| | C250 TD | | 57 | ATE | 3391-G | 11427 | P-575701 | 1 | 57,5 |
| | C250 TD | | 57 | ATE | 4983-G | | | | |
| | ALL TYPES | | 19 | FAG | 3452-G | | | | |
| | ALL TYPES | | 23,8 | FAG | 3461-G | | | | |

C-CLASS (W202) 3-93→5-00

| | | | | | | | | | |
|--|---|-------------|------|----------------|----------------|-------|----------|---|------|
| | ALL TYPES | 03-93→05-00 | 17,5 | BEDNIX - BOSCH | 3444-G | | | | |
| | ALL TYPES | 03-93→05-00 | 19 | ATE | 3445-G | | | | |
| | C36 AMG - 280 | 03-93→05-00 | 38 | ATE | 4449-G | 11623 | P-423201 | 2 | 32,7 |
| | | | | | | | P-383201 | 2 | 32,7 |
| | ALL TYPES | 08-95→05-00 | 54 | LUCAS | 3220-G | 10570 | P-545301 | 1 | 53,7 |
| | ALL TYPES | 03-93→08-95 | 54 | LUCAS | 3458-G | 10904 | P-545401 | 1 | 54,3 |
| | ALL TYPES | 03-93→05-00 | 57 | ATE | 3391-G | 11427 | P-575701 | 1 | 57,5 |
| | ALL TYPES | 03-93→05-00 | 57 | ATE | 4983-G | | | | |
| | ALL TYPES | 03-93→05-00 | 8 | LUCAS | 30003-G | | | | |
| | ALL TYPES | 03-93→05-00 | 12 | ATE | 30023-G | | | | |
| | ALL TYPES | 03-93→05-00 | 35 | ATE | 6065-G | 10722 | P-353001 | 2 | 30,1 |
| | ALL TYPES (CH,487840/F576241→)(HARD BOOT) | 03-93→05-00 | 36 | ATE | 4382-G | 10726 | P-363001 | 2 | 30,6 |
| | C36 AMG | 03-93→05-00 | 36 | ATE | 4900-G | 10732 | P-362902 | 2 | 29,6 |
| | ALL TYPES | 03-93→05-00 | 38 | ATE | 3451-G | 10666 | P-382802 | 2 | 28,5 |
| | ALL TYPES | 03-93→05-00 | 12 | ATE | 30023-G | | | | |
| | ALL TYPES | 03-93→05-00 | 19 | FAG | 11839 | | | | |
| | ALL TYPES | 03-93→05-00 | 19 | FAG | 3452-G | | | | |
| | ALL TYPES | 03-93→05-00 | 23,8 | FAG | 3461-G | | | | |

C-CLASS (W203) 5-00→

| | | | | | | | | | |
|--|-----------------------|-------------|------|--------|----------------|-------|----------|---|------|
| | ALL TYPES | 03-01→08-07 | 20,6 | | 6198-G | | | | |
| | | 05-00→02-07 | | | | | | | |
| | C30 - C32 - C55 - AMG | | 40 | BREMBO | 4887-G | 10764 | P-443201 | 2 | 32 |
| | | | | | | | P-403202 | 2 | 32 |
| | ALL TYPES | | 57 | LUCAS | 6063-G | 10938 | P-575401 | 1 | 54,8 |
| | ALL TYPES | | 57 | BREMBO | 6319-G | 11445 | P-573102 | 2 | 31 |
| | ALL TYPES | | 10 | LUCAS | 30078-G | | | | |
| | ALL TYPES (HARD BOOT) | | 36 | ATE | 4382-G | 10726 | P-363001 | 2 | 30,6 |
| | ALL TYPES | 01-03→ | 42 | ATE | 4646-G | 11710 | P-423003 | 2 | 30 |
| | | | | | | 11229 | P-423003 | 2 | 30 |



Master Cylinder



Front Caliper



Front Wheel Cylinder



Clutch Master Cylinder



Front Caliper Guides



Pressure Regulating Valve



Rear Caliper



Rear Wheel Cylinder



Clutch Slave Cylinder



Rear Caliper Guides

Ø
(mm.)

VERSION

**MERCEDES**

5 of 19

C-CLASS (W204-S204) 1-07→

| | | | | | | | | | |
|--|---------------------------------|--------|----|-----|----------------|-------|----------|---|------|
| | 180 - 200 - 230 - 250 - 280 | 01-07→ | 60 | TRW | 6178-G | 11474 | P-605503 | 1 | 55 |
| | 280 (SPORT PACKAGE) - 320 - 350 | | | | | 11466 | P-605304 | 1 | 53,5 |
| | ALL TYPES | 01-07→ | 10 | TRW | 30041-G | | | | |
| | ALL TYPES | | 12 | ATE | 30023-G | | | | |
| | ALL TYPES (-SPORT PACKAGE) | 01-11→ | 14 | TRW | 30103-G | | | | |
| | 180 - 200 - 230 - 280 | 01-07→ | 38 | ATE | 6238-G | 11633 | P-385003 | 1 | 50,5 |
| | 250 - 300 - 320 - 350 | 01-07→ | 40 | ATE | 4510-G | 11677 | P-405001 | 1 | 50,5 |
| | ALL TYPES | | 12 | ATE | 30023-G | | | | |

C-CLASS COUPE (C204) 06-11→

| | | | | | | | | | |
|--|------------------------|-------------|----|-----|----------------|-------|----------|---|------|
| | C 350 (-SPORT PACKAGE) | 06-11→01-04 | 14 | TRW | 30103-G | | | | |
| | 180 - 200 - 220 - 250 | 06-11→ | 38 | ATE | 6238-G | 11633 | P-385003 | 1 | 50,5 |

C-CLASS COUPE (CL203) 03-01→

| | | | | | | | | | |
|--|-----------------------|--|------|--------|----------------|-------|----------|---|------|
| | ALL TYPES | | 20,6 | | 6198-G | | | | |
| | C30 - C32 - C55 - AMG | | 40 | BREMBO | 4887-G | 10764 | P-443201 | 2 | 32 |
| | | | | | | | P-403202 | 2 | 32 |
| | ALL TYPES | | 57 | LUCAS | 6063-G | 10938 | P-575401 | 1 | 54,8 |
| | ALL TYPES | | 10 | LUCAS | 30078-G | | | | |
| | ALL TYPES | | 36 | ATE | 4382-G | 10726 | P-363001 | 2 | 30,6 |
| | ALL TYPES | | 42 | ATE | 4646-G | 11229 | P-423003 | 2 | 30 |
| | | | | | | 11710 | P-423003 | 2 | 30 |

CLC-CLASS (203) 5-08→

| | | | | | | | | | |
|--|-----------|--|----|--------|----------------|-------|----------|---|------|
| | 350 | | 57 | BREMBO | 6319-G | 11445 | P-573102 | 2 | 31 |
| | ALL TYPES | | 10 | LUCAS | 30078-G | | | | |
| | ALL TYPES | | 36 | ATE | 4382-G | 10726 | P-363001 | 2 | 30,6 |
| | 350 | | 40 | ATE | 4510-G | 11677 | P-405001 | 1 | 50,5 |

CLK (A208-A209) 3-98→

| | | | | | | | | | |
|--|------------------------------------|-------------|------|--------|----------------|-------|----------|---|------|
| | (A208)200 - KOMPRESSOR | 01-98→01-02 | 19 | ATE | 3445-G | | | | |
| | (A209) 200CGI - 200 KOMPRESSOR | 02-03→03-10 | 20,6 | | 6198-G | | | | |
| | (A208) 430 | | 38 | ATE | 4449-G | 11623 | P-423201 | 2 | 32,7 |
| | | | | | | | P-383201 | 2 | 32,7 |
| | (A209) 200 - 280 - 350 | | 57 | BREMBO | 6319-G | 11445 | P-573102 | 2 | 31 |
| | (A209) SERIES | | 10 | LUCAS | 30078-G | | | | |
| | (A208) SERIES | | 12 | ATE | 30023-G | | | | |
| | (A208) E320 - E420 | 03-98→03-02 | 35 | ATE | 3256-G | 10729 | P-362902 | 2 | 29,6 |
| | (A208) 200 - 230 - 320 KOMPRESSOR | 03-98→03-02 | 36 | ATE | 4900-G | 10732 | P-362902 | 2 | 29,6 |
| | 430 | | 42 | ATE | 4456-G | 11709 | P-423003 | 2 | 30 |
| | (A208) SERIES | | 12 | ATE | 30023-G | | | | |
| | ALL TYPES | 03-98→03-02 | 19 | FAG | 11839 | | | | |
| | (A208 - C208) 200 - 230 KOMPRESSOR | | 19 | FAG | 3452-G | | | | |
| | (A208 - C208) 200 - 230 KOMPRESSOR | | 23,8 | FAG | 3461-G | | | | |



Master Cylinder



Front Caliper



Front Wheel Cylinder



Clutch Master Cylinder



Front Caliper Guides



Pressure Regulating Valve



Rear Caliper



Rear Wheel Cylinder



Clutch Slave Cylinder



Rear Caliper Guides

Ø
(mm.)

VERSION



MERCEDES

6 of 19

CLK (C208-C209) 6-97→

| | | | | | | | | | |
|--|---|-------------|------|--------|----------------|-------|----------|---|------|
| | (C209) 200CGI - 200 KOMPRESSOR - 270CDI | 09-02→05-09 | 20,6 | | 6198-G | | | | |
| | (C208) 430 | | 38 | ATE | 4449-G | 11623 | P-423201 | 2 | 32,7 |
| | | | | | | | P-383201 | 2 | 32,7 |
| | (C209) 320CDI - 350 - 500 | 01-05→ | 40 | BREMBO | 4887-G | 10764 | P-443201 | 2 | 32 |
| | | | | | | | P-403202 | 2 | 32 |
| | (C208) 430 | | 44 | ATE | 6272-G | 11760 | P-445601 | 2 | 56 |
| | (C208) 200 - 230 - 320 | | 57 | ATE | 3391-G | 11427 | P-575701 | 1 | 57,5 |
| | (C208) 200 - 230 - 320 | | 57 | ATE | 4983-G | | | | |
| | (C209) SERIES | 10-02→ | 57 | LUCAS | 6063-G | 10938 | P-575401 | 1 | 54,8 |
| | (C209) 200 - 220 - 270 - 280 - 320 - 350 (DISC 330X28M) | | 57 | BREMBO | 6319-G | 11445 | P-573102 | 2 | 31 |
| | (C209) SERIES | | 10 | LUCAS | 30078-G | | | | |
| | (C208) SERIES | | 12 | ATE | 30023-G | | | | |
| | (C208) SERIES | 06-97→06-02 | 35 | ATE | 3256-G | 10729 | P-362902 | 2 | 29,6 |
| | ALL TYPES | | 36 | ATE | 4382-G | 10726 | P-363001 | 2 | 30,6 |
| | (C208) 320 - 430 | 06-97→06-02 | 36 | ATE | 4900-G | 10732 | P-362902 | 2 | 29,6 |
| | (C208) 200 - 230 | 03-98→03-02 | 38 | ATE | 3451-G | 10666 | P-382802 | 2 | 28,5 |
| | (C208) 430 - 55AMG | 06-97→06-02 | 42 | ATE | 4456-G | 11709 | P-423003 | 2 | 30 |
| | (C209) (DISC 300X22MM) | | 42 | ATE | 4646-G | 11229 | P-423003 | 2 | 30 |
| | | | | | | 11710 | P-423003 | 2 | 30 |
| | ALL TYPES (2 PISTONS) | | 46 | ATE | 4647-G | | | | |
| | ALL TYPES | 06-97→06-02 | 19 | FAG | 11839 | | | | |

CLS (C218) 01-11→

| | | | | | | | | | |
|--|-----------|--------|----|--------|----------------|-------|----------|---|----|
| | ALL TYPES | 09-11→ | 44 | BREMBO | 4992-G | 11278 | P-443202 | 4 | 32 |
| | ALL TYPES | 09-11→ | 14 | TRW | 30103-G | | | | |

CLS (C219) 10-04→

| | | | | | | | | | |
|--|-------------------|--|----|--------|----------------|-------|----------|---|----|
| | ALL TYPES | | 40 | BREMBO | 4887-G | 10764 | P-443201 | 2 | 32 |
| | | | | | | | P-403202 | 2 | 32 |
| | 320 3.0 CDI - 500 | | 44 | BREMBO | 4992-G | 11278 | P-443202 | 4 | 32 |
| | ALL TYPES | | 12 | ATE | 30023-G | | | | |
| | ALL TYPES | | 42 | ATE | 4623-G | 11701 | P-425104 | 1 | 51 |
| | ALL TYPES | | 12 | ATE | 30023-G | | | | |

COUPE (C123) 3-77→12-85

| | | | | | | | | | |
|--|-----------|-------------|----|----------------|---------------|-------|----------|---|------|
| | ALL TYPES | | 60 | ATE | 3447-G | 10972 | P-603101 | 2 | 31 |
| | | | | | | 10971 | P-602901 | 2 | 29,5 |
| | ALL TYPES | | 60 | BEDNIX - BOSCH | 3456-G | 10970 | P-603002 | 2 | 30,8 |
| | 230 - 280 | | 38 | BEDNIX - BOSCH | 3371-G | 10740 | P-383102 | 2 | 31,7 |
| | ALL TYPES | | 38 | ATE - LUCAS | 3451-G | 10603 | P-382901 | 2 | 29,9 |
| | 300C - TD | 09-82→07-85 | 42 | ATE | 3370-G | 10777 | P-422901 | 2 | 29,5 |
| | ALL TYPES | | 19 | FAG | 10298 | | | | |



Master Cylinder



Front Caliper



Front Wheel Cylinder



Clutch Master Cylinder



Front Caliper Guides



Pressure Regulating Valve



Rear Caliper



Rear Wheel Cylinder



Clutch Slave Cylinder



Rear Caliper Guides

Ø
(mm.)

VERSION



MERCEDES

7 of 19

COUPE (C124) 3-87→5-93

| | | | | | | | | | |
|--|-----------------|-------------|----|-------|----------------|-------|----------|---|------|
| | ALL TYPES | | 54 | LUCAS | 3220-G | 10570 | P-545301 | 1 | 53,7 |
| | 220 - 230 - 300 | 03-87→05-93 | 8 | LUCAS | 30001-G | | | | |
| | ALL TYPES | | 35 | ATE | 3449-G | 10630 | P-352801 | 2 | 28,5 |
| | ALL TYPES | | 38 | ATE | 3451-G | 10666 | P-382802 | 2 | 28,5 |
| | ALL TYPES | 03-87→05-93 | 19 | FAG | 11839 | | | | |

COUPE (W111) 1-61→12-71

| | | | | | | | | | |
|--|-----------------------|-------------|------|-----|---------------|-------|----------|---|------|
| | ALL TYPES | | 23,8 | ATE | 3176-G | | | | |
| | ALL TYPES | | 57 | ATE | 3446-G | 10940 | P-573001 | 2 | 30 |
| | ALL TYPES (2 PISTONS) | 01-67→12-71 | 35 | ATE | 3256-G | | | | |
| | ALL TYPES | | 42 | ATE | 3370-G | 10777 | P-422901 | 2 | 29,5 |
| | ALL TYPES | | 19 | ATE | 3453-G | | | | |
| | ALL TYPES | | 20,6 | FAG | 3208-G | | | | |
| | ALL TYPES | | 23,8 | ATE | 3460-G | | | | |

E-CLASS (C124-A124) 5-93→3-98

| | | | | | | | | | |
|--|-------------------------------|-------------|----|-------|----------------|-------|----------|---|------|
| | ALL TYPES (4 PISTONS 38-42MM) | | 38 | ATE | 4449-G | | | | |
| | 200 - 220 | 06-93→03-98 | 8 | LUCAS | 30001-G | | | | |
| | ALL TYPES | | 8 | LUCAS | 30003-G | | | | |
| | ALL TYPES | 06-93→06-97 | 35 | ATE | 3449-G | 10630 | P-352801 | 2 | 28,5 |
| | ALL TYPES | | 38 | ATE | 3451-G | 10666 | P-382802 | 2 | 28,5 |

E-CLASS (W124-S124) 6-93→6-96

| | | | | | | | | | |
|--|-----------------------------------|-------------|------|----------------|----------------|-------|----------|---|------|
| | ALL TYPES (-ABS) | | 19 | ATE | 3445-G | | | | |
| | 500E | | 38 | ATE | 4449-G | 11622 | P-423002 | 2 | 30,2 |
| | ALL TYPES EXCEPT 500E | | | | | 10750 | P-423001 | 2 | 30,8 |
| | 500E | | | | | 11622 | P-383003 | 2 | 30,2 |
| | ALL TYPES EXCEPT 500E | | | | | 10750 | P-383002 | 2 | 30,8 |
| | ALL TYPES | | 54 | ATE - LUCAS | 3220-G | 10570 | P-545301 | 1 | 53,7 |
| | E400 - E500 - E60 AMG (2 PISTONS) | 06-93→06-95 | 57 | ATE | 3668-G | | | | |
| | 220 - 230 - 250 - 260 - 280 - 300 | 06-93→06-95 | 8 | LUCAS | 30001-G | | | | |
| | ALL TYPES | | 8 | LUCAS | 30003-G | | | | |
| | ALL TYPES | | 35 | ATE | 3449-G | 10630 | P-352801 | 2 | 28,5 |
| | | | | BEDNIX - BOSCH | | 10646 | P-352601 | 2 | 26,6 |
| | ALL TYPES | | 38 | ATE | 3451-G | 10666 | P-382802 | 2 | 28,5 |
| | E320T (HARD BOOT) | | 42 | ATE | 6253-G | 11703 | P-422903 | 2 | 29,5 |
| | ALL TYPES | 06-93→06-95 | 19 | FAG | 11839 | | | | |
| | ALL TYPES | | 23,8 | FAG | 3461-G | | | | |



Master Cylinder



Front Caliper



Front Wheel Cylinder



Clutch Master Cylinder



Front Caliper Guides



Pressure Regulating Valve



Rear Caliper



Rear Wheel Cylinder



Clutch Slave Cylinder



Rear Caliper Guides

Ø
(mm.)

VERSION

**MERCEDES**

8 of 19

E-CLASS (W210-S210-T210) 6-95→3-03

| | | | | | | | | | |
|--|--|-------------|------|----------------|----------------|-------|----------|--------|--|
| | E200-300 (W210) | | 19 | ATE | 4672-G | | | | |
| | ALL TYPES | | 38 | ATE | 4449-G | 11623 | P-423201 | 2 32,7 | |
| | | | | | | | P-383201 | 2 32,7 | |
| | ALL TYPES | | 57 | ATE | 3391-G | 11427 | P-575701 | 1 57,5 | |
| | ALL TYPES | | 57 | ATE | 4983-G | | | | |
| | ALL TYPES | | 12 | ATE | 30023-G | | | | |
| | ALL TYPES (HARD BOOT) | 06-95→03-02 | 35 | ATE | 3256-G | 10729 | P-362902 | 2 29,6 | |
| | E280 - E320 - E420 (SOFT CALIPER BOOT) | | 35 | BEDNIX - BOSCH | 3449-G | 10730 | P-363001 | 2 30,6 | |
| | E200-E270 (HARD BOOT) | | 36 | ATE | 4382-G | 10726 | P-363001 | 2 30,6 | |
| | E280 - E430 (→CH.A379346) | | 36 | ATE | 4900-G | 10732 | P-362902 | 2 29,6 | |
| | ALL TYPES | | 38 | ATE | 3451-G | 10666 | P-382802 | 2 28,5 | |
| | E230 - E250D - E290TD | | 40 | ATE | 3513-G | 10758 | P-402901 | 2 29 | |
| | 430 | | 42 | ATE | 4456-G | 11709 | P-423003 | 2 30 | |
| | 430 - 55 AMG | | 46 | BEDNIX - BOSCH | 4465-G | 11781 | P-463002 | 2 30 | |
| | ALL TYPES | | 46 | ATE | 4647-G | 11778 | P-462901 | 2 29,1 | |
| | ALL TYPES | | 19 | FAG | 3452-G | | | | |
| | ALL TYPES | | 23,8 | FAG | 3461-G | | | | |

E-CLASS (W211-S211) 3-02→

| | | | | | | | | | |
|--|-----------------------|--------|----|--------|----------------|-------|----------|--------|--|
| | ALL TYPES | | 40 | BREMBO | 4887-G | 10764 | P-443201 | 2 32 | |
| | | | | | | | P-403202 | 2 32 | |
| | E420 - E500 | 01-06→ | 44 | BREMBO | 4992-G | 11278 | P-443202 | 4 32 | |
| | 4-MATIC - 500 | | 44 | ATE | 6151-G | 10998 | P-445501 | 2 55,5 | |
| | 350 - 500 (→CH.39212) | | 44 | ATE | 6272-G | 11760 | P-445601 | 2 56 | |
| | ALL TYPES | | 60 | BOSCH | 4968-G | 10993 | P-605701 | 1 57,4 | |
| | 350 4-MATIC | 03-05→ | 60 | ATE | 6039-G | 10991 | P-605801 | 1 58 | |
| | ALL TYPES | | 12 | ATE | 30023-G | | | | |
| | ALL TYPES | | 42 | ATE | 4623-G | 11701 | P-425104 | 1 51 | |
| | ALL TYPES | | 12 | ATE | 30023-G | | | | |

E-CLASS (W212-S212) 01-09→

| | | | | | | | | | |
|--|----------------------------|--------|----|--------|----------------|-------|----------|------|--|
| | ALL TYPES | 11-09→ | 44 | BREMBO | 4992-G | 11278 | P-443202 | 4 32 | |
| | ALL TYPES | | 60 | TRW | 6178-G | 11474 | P-605503 | 1 55 | |
| | ALL TYPES | 11-09→ | 10 | TRW | 30041-G | | | | |
| | ALL TYPES (-SPORT PACKAGE) | 01-11→ | 14 | TRW | 30103-G | | | | |
| | ALL TYPES | 11-09→ | 42 | ATE | 4623-G | 11701 | P-425104 | 1 51 | |

E-CLASS CABRIO (A207)

| | | | | | | | | | |
|--|----------------------------|--------|----|-----|----------------|-------|----------|--------|--|
| | ALL TYPES | | 60 | TRW | 6178-G | 11474 | P-605503 | 1 55 | |
| | ALL TYPES | 01-10→ | 10 | TRW | 30041-G | | | | |
| | ALL TYPES (-SPORT PACKAGE) | 01-10→ | 14 | TRW | 30103-G | | | | |
| | 200 - 220 - 250 | 01-10→ | 38 | ATE | 6238-G | 11633 | P-385003 | 1 50,5 | |

E-CLASS COUPE (C207) 01-09→

| | | | | | | | | | |
|--|----------------------------|--------|----|-----|----------------|-------|----------|--------|--|
| | ALL TYPES | | 60 | TRW | 6178-G | 11474 | P-605503 | 1 55 | |
| | ALL TYPES | 01-09→ | 10 | TRW | 30041-G | | | | |
| | ALL TYPES (-SPORT PACKAGE) | 01-11→ | 14 | TRW | 30103-G | | | | |
| | 200 - 220 - 250 | 01-09→ | 38 | ATE | 6238-G | 11633 | P-385003 | 1 50,5 | |



Master Cylinder



Front Caliper



Front Wheel Cylinder



Clutch Master Cylinder



Front Caliper Guides



Pressure Regulating Valve



Rear Caliper



Rear Wheel Cylinder



Clutch Slave Cylinder



Rear Caliper Guides

Ø
(mm.)

VERSION

**MERCEDES**

9 of 19

G-CLASS (W460-461-463) 79→

| | | | | | | | | | |
|--|-----------------|--------|------|--------|----------------|-------|----------|---|------|
| | ALL TYPES | | 25,4 | | 4542-G | | | | |
| | ALL TYPES | | 25,4 | ATE | 4687-G | | | | |
| | ALL TYPES | 01-79→ | 44 | PERROT | 3459-G | 11765 | P-443502 | 4 | 35 |
| | ALL TYPES | 01-79→ | 44 | ATE | 4461-G | 10797 | P-443701 | 4 | 37 |
| | G 65 AMG (W463) | 05-12→ | 44 | ATE | 6151-G | 10998 | P-445501 | 2 | 55,5 |
| | ALL TYPES (USA) | 01-13→ | 48 | | 11503 | 11503 | P-485505 | 2 | 55,5 |
| | G 65 AMG (W463) | 05-12→ | 42 | ATE | 4623-G | 11715 | P-425501 | 1 | 55,5 |
| | (W463) SERIES | | 16 | BOSCH | 30109-G | | | | |
| | ALL TYPES | | 23,8 | FAG | 3172-G | | | | |
| | ALL TYPES | | 23,8 | ATE | 3460-G | | | | |
| | 250 GD | 01-87→ | 23,8 | FAG | 3461-G | | | | |

GLA (X156) 12-13→

| | | | | | | | | | |
|--|-----------|--|----|-----|---------------|-------|----------|---|----|
| | ALL TYPES | | 60 | TRW | 6178-G | 11474 | P-605503 | 1 | 55 |
|--|-----------|--|----|-----|---------------|-------|----------|---|----|

GL-CLASS (X164) 9-06→

| | | | | | | | | | |
|--|-----------|--------|----|-----|----------------|-------|----------|---|------|
| | 4-MATIC | | 44 | ATE | 6151-G | 10998 | P-445501 | 2 | 55,5 |
| | ALL TYPES | 09-06→ | 16 | ATE | 30148-G | | | | |
| | ALL TYPES | | 42 | ATE | 4623-G | 11715 | P-425501 | 1 | 55,5 |

GLK - CLASS (X204) 6-08→

| | | | | | | | | | |
|--|-----------|--------|----|-------|----------------|-------|----------|---|------|
| | ALL TYPES | 06-08→ | 44 | BOSCH | 6275-G | | | | |
| | ALL TYPES | 06-08→ | 12 | BOSCH | 30096-G | | | | |
| | ALL TYPES | | 42 | ATE | 4623-G | 11700 | P-425002 | 1 | 50,5 |

KOMBI T MODEL (S123) 9-77→12-85

| | | | | | | | | | |
|--|-----------|-------------|----|----------------|---------------|-------|----------|---|------|
| | ALL TYPES | 03-80→ | 60 | ATE | 3447-G | 10972 | P-603101 | 2 | 31 |
| | | 09-77→03-80 | | | | 10971 | P-602901 | 2 | 29,5 |
| | ALL TYPES | | 60 | BEDNIX - BOSCH | 3456-G | 10970 | P-603002 | 2 | 30,8 |
| | ALL TYPES | | 42 | ATE | 3370-G | 10777 | P-422901 | 2 | 29,5 |

KOMBI T MODEL (S124) 9-85→06-93

| | | | | | | | | | |
|--|-------------------------------|-------------|------|-------|----------------|-------|----------|---|------|
| | ALL TYPES | | 19 | ATE | 3445-G | | | | |
| | ALL TYPES (4 PISTONS 38-42MM) | | 38 | ATE | 4449-G | | | | |
| | ALL TYPES | | 54 | LUCAS | 3220-G | 10570 | P-545301 | 1 | 53,7 |
| | 200 - 220 - 250 - 280 - 300 | 09-85→07-93 | 8 | LUCAS | 30001-G | | | | |
| | ALL TYPES | | 8 | LUCAS | 30003-G | | | | |
| | ALL TYPES | | 38 | ATE | 3451-G | 10666 | P-382802 | 2 | 28,5 |
| | 300TE-24 (HARD BOOT) | | 42 | ATE | 6253-G | 11703 | P-422903 | 2 | 29,5 |
| | ALL TYPES | 09-85→07-93 | 19 | FAG | 11839 | | | | |
| | ALL TYPES | | 19 | FAG | 3452-G | | | | |
| | ALL TYPES | | 23,8 | FAG | 3461-G | | | | |

L206DG - L207 (BM605-606-607-608)

| | | | | | | | | | |
|--|--------------------|--|------|----------------|---------------|--|--|--|--|
| | ALL TYPES (-SERVO) | | 22,2 | ATE | 3117-G | | | | |
| | BM606 - BM608 | | 22,2 | BEDNIX - BOSCH | 2602-G | | | | |
| | BM605 - BM608 | | 25,4 | ATE | 4535-G | | | | |



Master Cylinder



Front Caliper



Front Wheel Cylinder



Clutch Master Cylinder



Front Caliper Guides



Pressure Regulating Valve



Rear Caliper



Rear Wheel Cylinder



Clutch Slave Cylinder



Rear Caliper Guides

Ø
(mm.)

VERSION

**MERCEDES**

10 of 19

LP 9-63→12-84

| | | | | | | | | | |
|--|--------------|-------------|------|-----|---------------|--|--|--|--|
| | ALL TYPES | | 19 | FAG | 10298 | | | | |
| | LP - LPL 709 | 01-80→01-85 | 28,6 | FAG | 4742-G | | | | |

MB 100 (631) 81→97

| | | | | | | | | | |
|--|----------------------|-------------|------|----------------|---------------|-------|----------|---|------|
| | MBN (COMPACT TYPE) | 01-86→01-91 | 23,8 | LUCAS | 3328-G | | | | |
| | MB | 01-80→01-86 | 25,4 | LUCAS | 3034-G | | | | |
| | MBN D (COMPACT TYPE) | 01-86→01-91 | 25,4 | LUCAS | 3327-G | | | | |
| | ALL TYPES | | 48 | BEDNIX - BOSCH | 3129-G | 10651 | P-484501 | 2 | 45 |
| | ALL TYPES | | 52 | BEDNIX - BOSCH | 3058-G | 10876 | P-525001 | 2 | 50,2 |
| | ALL TYPES | | 25,4 | LUCAS | 3055-G | | | | |
| | ALL TYPES | 02-88→02-96 | 19 | FAG | 11839 | | | | |

M-CLASS (166) ML 06-11→

| | | | | | | | | | |
|--|-------------------------|--------|----|--------------|----------------|-------|----------|---|------|
| | 320 - 430 - 63 (USA) | 01-12→ | 48 | | 11503 | 11503 | P-485505 | 2 | 55,5 |
| | 250 CDI BlueTEC 4-MATIC | 06-11→ | 14 | KELSEY-HAYES | 30103-G | | | | |
| | 250 CDI BlueTEC 4-MATIC | 06-11→ | 44 | KELSEY-HAYES | 6055-G | 11758 | P-444701 | 1 | 47,5 |
| | ALL TYPES | 06-11→ | 10 | LUCAS | 30041-G | | | | |
| | 250 CDI BlueTEC 4-MATIC | 06-11→ | 14 | KELSEY-HAYES | 30103-G | | | | |

M-CLASS (W163) 2-98→6-05

| | | | | | | | | | |
|--|--------------------------|-------------|------|--------------|----------------|-------|----------|---|------|
| | ALL TYPES | | 25,4 | ATE | 4830-G | | | | |
| | ALL TYPES | | 40 | BREMBO | 4887-G | 10764 | P-443201 | 2 | 32 |
| | | | | | | | P-403202 | 2 | 32 |
| | ML 230 - 270 - 320 - 430 | 02-98→06-05 | 60 | KELSEY-HAYES | 4296-G | 11453 | P-605103 | 1 | 51 |
| | ML 350 | 08-02→06-05 | 60 | KELSEY-HAYES | 6153-G | 11454 | P-605103 | 1 | 51 |
| | ML 230 - 270 - 320 - 430 | 02-98→06-05 | 14 | KELSEY-HAYES | 30103-G | | | | |
| | ALL TYPES | 02-98→06-05 | 40 | BREMBO | 4882-G | 10763 | P-403002 | 2 | 30,2 |
| | ALL TYPES | 02-98→06-05 | 44 | KELSEY-HAYES | 6055-G | 11758 | P-444701 | 1 | 47,5 |
| | ALL TYPES | 02-98→06-05 | 14 | KELSEY-HAYES | 30103-G | | | | |
| | ML 230 - 270 - 320 - 430 | 02-98→06-05 | 19 | FAG | 11839 | | | | |

M-CLASS (W164) 7-05→

| | | | | | | | | | |
|--|-------------------|--|----|-------|----------------|-------|----------|---|------|
| | ALL TYPES 4-MATIC | | 44 | ATE | 6151-G | 10998 | P-445501 | 2 | 55,5 |
| | ALL TYPES | | 60 | BOSCH | 4948-G | | | | |
| | ALL TYPES | | 12 | ATE | 30023-G | | | | |
| | 280 - 320 - 350 | | 40 | ATE | 4510-G | 11674 | P-405501 | 1 | 55 |
| | ALL TYPES | | 42 | ATE | 4623-G | 11715 | P-425501 | 1 | 55,5 |
| | ALL TYPES | | 12 | ATE | 30023-G | | | | |

N-1000 - N-1300

| | | | | | | | | | |
|--|---------------------------|--------|------|--|----------------|--|--|--|--|
| | D.K.W. F-1000 | →01-69 | 25,4 | | 2703-GV | | | | |
| | ALL TYPES | 01-69→ | 27 | | 3008-G | | | | |
| | ALL TYPES | | 27 | | 2608-G | | | | |
| | DKW F-1000 L | 01-69→ | 15,9 | | 3124-G | | | | |
| | DKW F-1000L (2ND VERSION) | | 17,5 | | 4895-G | | | | |
| | ALL TYPES | | 19 | | 2607-G | | | | |
| | ALL TYPES | | 19 | | 2704-G | | | | |



Master Cylinder



Front Caliper



Front Wheel Cylinder



Clutch Master Cylinder



Front Caliper Guides



Pressure Regulating Valve



Rear Caliper



Rear Wheel Cylinder



Clutch Slave Cylinder



Rear Caliper Guides

∅
(mm.)

VERSION

**MERCEDES**

11 of 19

NG 8-73→9-96

| | | | | | | | | |
|--|-----------|--|------|-----|---------------|--|--|--|
| | ALL TYPES | | 23,8 | FAG | 10299 | | | |
| | ALL TYPES | | 23,8 | FAG | 4818-G | | | |
| | ALL TYPES | | 38,1 | FAG | 4650-G | | | |

O 303 - 307 (SERIES 4) - 73→9-92

| | | | | | | | | |
|--|-----------|--|------|-----|---------------|--|--|--|
| | ALL TYPES | | 23,8 | FAG | 10299 | | | |
| | ALL TYPES | | 38,1 | FAG | 4650-G | | | |

PAGODE (W113) 63→72

| | | | | | | | | |
|--|-----------|-------------|------|----------------|---------------|-------|----------|--------|
| | ALL TYPES | | 23,8 | ATE - FAG | 3176-G | | | |
| | ALL TYPES | | 57 | ATE | 3446-G | 10940 | P-573001 | 2 30 |
| | 280 SL | | 57 | BEDNIX - BOSCH | 3448-G | 11413 | P-573101 | 2 31 |
| | 230 SL | | 19 | ATE | 4738-G | | | |
| | 280 SL | 01-68→03-71 | 38 | BEDNIX - BOSCH | 3371-G | 10740 | P-383102 | 2 31,7 |
| | 280 SL | | 38 | GIRLING | 3451-G | 11635 | P-382905 | 2 29 |
| | | | | ATE - LUCAS | | 10603 | P-382901 | 2 29,9 |
| | 250SL | | 42 | ATE | 3370-G | 10777 | P-422901 | 2 29,5 |

R-CLASS (W251-V251) 1-06→

| | | | | | | | | |
|--|-----------|--|----|-----|----------------|-------|----------|--------|
| | 4-MATIC | | 44 | ATE | 6151-G | 10998 | P-445501 | 2 55,5 |
| | ALL TYPES | | 12 | ATE | 30023-G | | | |
| | ALL TYPES | | 42 | ATE | 4623-G | 11715 | P-425501 | 1 55,5 |
| | ALL TYPES | | 12 | ATE | 30023-G | | | |

S-CLASS (C140) 9-92→2-99

| | | | | | | | | |
|--|-----------------------------|--------|----|-------|---------------|-------|----------|--------|
| | ALL TYPES | 06-97→ | 40 | LUCAS | 4451-G | 10760 | P-443501 | 2 35,2 |
| | | | | | | | P-403501 | 2 35,2 |
| | 420 - 500 - 600 (2 PISTONS) | | 57 | ATE | 3668-G | | | |
| | ALL TYPES | | 46 | ATE | 4647-G | 11778 | P-462901 | 2 29,1 |

S-CLASS (C215-C216) 3-99→

| | | | | | | | | |
|--|-------------------|--------|----|--------|----------------|-------|----------|--------|
| | CL500 5.5 (C216) | 08-06→ | 44 | BREMBO | 4992-G | 11278 | P-443202 | 4 32 |
| | ALL TYPES | | 12 | ATE | 30023-G | | | |
| | CL 500 5.5 (C216) | 08-06→ | 42 | ATE | 4623-G | 11701 | P-425104 | 1 51 |
| | CL 500 | | 42 | ATE | 4646-G | 11718 | P-422904 | 2 29,5 |
| | ALL TYPES | | 12 | ATE | 30023-G | | | |

S-CLASS (W108-W109) 1-66→8-72

| | | | | | | | | |
|--|------------------------------|-------------|------|-----|---------------|-------|----------|--------|
| | ALL TYPES | | 23,8 | ATE | 3176-G | | | |
| | ALL TYPES | | 57 | ATE | 3446-G | 10940 | P-573001 | 2 30 |
| | 280 S - SE - SEL (HARD BOOT) | 10-67→08-72 | 35 | ATE | 3256-G | 10729 | P-362902 | 2 29,6 |
| | 250 - 280 | →08-72 | 42 | ATE | 3370-G | 10777 | P-422901 | 2 29,5 |
| | ALL TYPES | | 42 | ATE | 3450-G | | | |
| | ALL TYPES | | 19 | ATE | 3453-G | | | |
| | ALL TYPES | | 23,8 | ATE | 3460-G | | | |



Master Cylinder



Front Caliper



Front Wheel Cylinder



Clutch Master Cylinder



Front Caliper Guides



Pressure Regulating Valve



Rear Caliper



Rear Wheel Cylinder



Clutch Slave Cylinder



Rear Caliper Guides



∅
(mm.)

VERSION



MERCEDES

12 of 19

S-CLASS (W116) 8-72→7-80

| | | | | | | | | | |
|--|---------------------------|-------------|------|----------------|---------------|-------|----------|---|------|
| | ALL TYPES | | 19 | ATE | 3445-G | | | | |
| | ALL TYPES | | 19 | BEDNIX - BOSCH | 3454-G | | | | |
| | ALL TYPES | | 23,8 | ATE | 3176-G | | | | |
| | ALL TYPES | | 60 | ATE | 3447-G | 10971 | P-602901 | 2 | 29,5 |
| | ALL TYPES | | 60 | BEDNIX - BOSCH | 3456-G | 10970 | P-603002 | 2 | 30,8 |
| | 280 - 350 - | | 38 | BEDNIX - BOSCH | 3371-G | 10740 | P-383102 | 2 | 31,7 |
| | ALL TYPES | | 38 | GIRLING | 3451-G | 11635 | P-382905 | 2 | 29 |
| | | | | ATE - LUCAS | | 10603 | P-382901 | 2 | 29,9 |
| | ALL TYPES | | 19 | FAG | 10298 | | | | |
| | ALL TYPES | →01-74 | 19 | ATE - FAG | 3173-G | | | | |
| | ALL TYPES | 01-74→ | 19 | FAG | 3204-G | | | | |
| | ALL TYPES | 01-68→01-74 | 19 | FAG | 3207-G | | | | |
| | ALL TYPES | 01-74→ | 19 | ATE | 3453-G | | | | |
| | ALL TYPES | 01-72→01-74 | 23,8 | FAG | 3172-G | | | | |
| | ALL TYPES | | 23,8 | ATE | 3460-G | | | | |
| | SE - SEL (CH.011569 → 85) | | 23,8 | FAG | 3461-G | | | | |

S-CLASS (W126) 10-79→6-91

| | | | | | | | | | |
|--|-----------------------|-------------|------|----------------|---------------|-------|----------|---|------|
| | ALL TYPES | 01-79→01-83 | 19 | ATE | 3445-G | | | | |
| | ALL TYPES | 01-79→01-83 | 19 | BEDNIX - BOSCH | 3454-G | | | | |
| | 280 - 380 - 500 | →08-85 | 19 | ATE | 4673-G | | | | |
| | ALL TYPES | | 19 | LUCAS | 4674-G | | | | |
| | ALL TYPES | | 57 | BEDNIX - BOSCH | 3448-G | 11413 | P-573101 | 2 | 31 |
| | ALL TYPES | | 57 | ATE | 4761-G | 10952 | P-573002 | 2 | 30,5 |
| | ALL TYPES | →01-85 | 60 | ATE | 3447-G | 10972 | P-603101 | 2 | 31 |
| | ALL TYPES | | 60 | BEDNIX - BOSCH | 3456-G | 10970 | P-603002 | 2 | 30,8 |
| | 260 - 280 - 300 - 380 | | 38 | BEDNIX - BOSCH | 3371-G | 10740 | P-383102 | 2 | 31,7 |
| | ALL TYPES | | 38 | GIRLING | 3451-G | 11635 | P-382905 | 2 | 29 |
| | | | | ATE - LUCAS | | 10603 | P-382901 | 2 | 29,9 |
| | 420 - 500 - 560 | 10-85→06-91 | 38 | BEDNIX - BOSCH | 3457-G | 10744 | P-383102 | 2 | 31,7 |
| | ALL TYPES | | 19 | FAG | 10298 | | | | |
| | ALL TYPES | →01-83 | 19 | FAG | 3207-G | | | | |
| | ALL TYPES | 01-83→ | 19 | FAG | 3452-G | | | | |
| | ALL TYPES | →08-85 | 23,8 | FAG | 3172-G | | | | |
| | ALL TYPES | | 23,8 | ATE | 3460-G | | | | |
| | ALL TYPES | 01-83→ | 23,8 | FAG | 3461-G | | | | |



Master Cylinder



Front Caliper



Front Wheel Cylinder



Clutch Master Cylinder



Front Caliper Guides



Pressure Regulating Valve



Rear Caliper



Rear Wheel Cylinder



Clutch Slave Cylinder



Rear Caliper Guides

Ø
(mm.)

VERSION

**MERCEDES****13 of 19****S-CLASS (W140) 2-91→10-98**

| | | | | | | | | | |
|--|-----------------------|-------------|------|----------------|---------------|-------|----------|---|------|
| | ALL TYPES | | 19 | LUCAS | 4674-G | | | | |
| | ALL TYPES | | 40 | LUCAS | 4451-G | 10760 | P-443501 | 2 | 35,2 |
| | | | | | | | P-403501 | 2 | 35,2 |
| | ALL TYPES | | 57 | BEDNIX - BOSCH | 3448-G | 11413 | P-573101 | 2 | 31 |
| | ALL TYPES (2 PISTONS) | 02-91→10-98 | 57 | ATE | 3668-G | | | | |
| | ALL TYPES | | 38 | ATE | 3451-G | 10603 | P-382901 | 2 | 29,9 |
| | ALL TYPES | | 40 | ATE | 3513-G | 10758 | P-402901 | 2 | 29 |
| | 420 - 500 - 600 | | 46 | BEDNIX - BOSCH | 4465-G | 11781 | P-463002 | 2 | 30 |
| | ALL TYPES | | 46 | ATE | 4647-G | 11778 | P-462901 | 2 | 29,1 |
| | ALL TYPES | 03-91→10-98 | 19 | FAG | 11839 | | | | |
| | ALL TYPES | | 19 | FAG | 3452-G | | | | |
| | ALL TYPES | | 23,8 | FAG | 3461-G | | | | |

S-CLASS (W220) 10-98→08-05

| | | | | | | | | | |
|--|-----------------------|--------|----|--------|----------------|-------|----------|---|------|
| | ALL TYPES | | 40 | BREMBO | 4887-G | 10764 | P-443201 | 2 | 32 |
| | | | | | | | P-403202 | 2 | 32 |
| | 430 - 500 (→CH.39212) | | 44 | ATE | 6272-G | 11760 | P-445601 | 2 | 56 |
| | S 350 4-MATIC | | 60 | ATE | 6039-G | 10991 | P-605801 | 1 | 58 |
| | ALL TYPES | | 12 | ATE | 30023-G | | | | |
| | ALL TYPES | 10-02→ | 42 | ATE | 4623-G | 11701 | P-425104 | 1 | 51 |
| | ALL TYPES | | 42 | ATE | 4646-G | 11718 | P-422904 | 2 | 29,5 |
| | ALL TYPES | | 12 | ATE | 30023-G | | | | |

S-CLASS (W221) 10-05→

| | | | | | | | | | |
|--|-----------|--|----|--------|----------------|-------|----------|---|----|
| | ALL TYPES | | 44 | BREMBO | 4992-G | 11278 | P-443202 | 4 | 32 |
| | ALL TYPES | | 12 | ATE | 30023-G | | | | |
| | ALL TYPES | | 42 | ATE | 4623-G | 11701 | P-425104 | 1 | 51 |
| | ALL TYPES | | 12 | ATE | 30023-G | | | | |

S-CLASS COUPE (C126) 10-81→6-91

| | | | | | | | | | |
|--|-------------------|-------------|----|----------------|---------------|-------|----------|---|------|
| | 380 - 500 | →08-85 | 19 | ATE | 4673-G | | | | |
| | 420 | | 57 | BEDNIX - BOSCH | 3448-G | 11413 | P-573101 | 2 | 31 |
| | ALL TYPES | | 57 | ATE | 4761-G | 10952 | P-573002 | 2 | 30,5 |
| | 380 SEC - 500 SEC | 06-81→07-85 | 60 | LUCAS | 3135-G | 11477 | P-605306 | 1 | 53 |
| | ALL TYPES | | 38 | LUCAS | 3451-G | 10666 | P-382802 | 2 | 28,5 |
| | 420 - 500 - 560 | 10-85→06-91 | 38 | BEDNIX - BOSCH | 3457-G | 10744 | P-383102 | 2 | 31,7 |

SK 7-87→9-96

| | | | | | | | | | |
|--|-----------|--|------|-----|---------------|--|--|--|--|
| | ALL TYPES | | 23,8 | FAG | 10299 | | | | |
| | ALL TYPES | | 23,8 | FAG | 4818-G | | | | |
| | SK3235 | | 38,1 | FAG | 4650-G | | | | |



Master Cylinder



Front Caliper



Front Wheel Cylinder



Clutch Master Cylinder



Front Caliper Guides



Pressure Regulating Valve



Rear Caliper



Rear Wheel Cylinder



Clutch Slave Cylinder



Rear Caliper Guides

Ø
(mm.)

VERSION

**MERCEDES**

14 of 19

SL (R107) 5-71→9-89

| | | | | | | | | | |
|--|-------------------------------|-------------|------|----------------|---------------|-------|----------|---|------|
| | ALL TYPES | | 19 | BEDNIX - BOSCH | 3454-G | | | | |
| | 280 - 380 - 500 | 01-80→01-86 | 19 | ATE | 4673-G | | | | |
| | ALL TYPES | | 19 | LUCAS | 4674-G | | | | |
| | ALL TYPES | | 23,8 | ATE | 3176-G | | | | |
| | ALL TYPES (4 PISTONS) | 01-85→01-89 | 40 | ATE | 3396-G | | | | |
| | ALL TYPES | | 57 | ATE | 3446-G | 10940 | P-573001 | 2 | 30 |
| | ALL TYPES | 02-80→ | 60 | ATE | 3447-G | 10972 | P-603101 | 2 | 31 |
| | | 05-71→07-85 | | | | 10971 | P-602901 | 2 | 29,5 |
| | ALL TYPES | | 60 | BEDNIX - BOSCH | 3456-G | 10970 | P-603002 | 2 | 30,8 |
| | ALL TYPES | | 38 | BEDNIX - BOSCH | 3371-G | 10740 | P-383102 | 2 | 31,7 |
| | ALL TYPES | | 38 | GIRLING | 3451-G | 11635 | P-382905 | 2 | 29 |
| | | | | ATE - LUCAS | | 10603 | P-382901 | 2 | 29,9 |
| | ALL TYPES | | 19 | FAG | 10298 | | | | |
| | ALL TYPES (→ CH.011427) | | 19 | FAG | 3204-G | | | | |
| | ALL TYPES (CH.011428 → 89) | | 19 | FAG | 3452-G | | | | |
| | ALL TYPES (→CH.011427) | | 19 | ATE | 3453-G | | | | |
| | 280 SL - SLC (74→CH.011568) | | 23,8 | ATE | 3460-G | | | | |
| | 280 SL - SLC (CH.011569 → 85) | | 23,8 | FAG | 3461-G | | | | |
| | ALL TYPES | 01-85→ | | | | | | | |

SL (R129) 3-89→10-01

| | | | | | | | | | |
|--|--------------------------------|-------------|------|-------------|---------------|-------|----------|---|------|
| | ALL TYPES | | 19 | LUCAS | 4674-G | | | | |
| | ALL TYPES | | 38 | ATE | 4449-G | 11622 | P-423002 | 2 | 30,2 |
| | | | | | | | P-383003 | 2 | 30,2 |
| | ALL TYPES | 03-89→10-01 | 40 | LUCAS | 4451-G | 10760 | P-443501 | 2 | 35,2 |
| | | | | | | | P-403501 | 2 | 35,2 |
| | ALL TYPES (2 PISTONS) | | 57 | ATE | 3668-G | | | | |
| | ALL TYPES | | 36 | ATE | 4900-G | 10732 | P-362902 | 2 | 29,6 |
| | ALL TYPES | | 38 | ATE - LUCAS | 3451-G | 10666 | P-382802 | 2 | 28,5 |
| | 600 | 06-92→ | 42 | ATE | 4456-G | 11709 | P-423003 | 2 | 30 |
| | ALL TYPES | | 46 | ATE | 4647-G | 11778 | P-462901 | 2 | 29,1 |
| | 280 - 300 SL - 300 SL-24 - 320 | 03-89→10-01 | 19 | FAG | 11839 | | | | |
| | ALL TYPES | | 19 | FAG | 3452-G | | | | |
| | ALL TYPES | | 23,8 | FAG | 3461-G | | | | |

SL COUPE (C107) 01-72→9-81

| | | | | | | | | | |
|--|-----------|--|----|----------------|---------------|-------|----------|---|------|
| | ALL TYPES | | 60 | ATE | 3447-G | 10972 | P-603101 | 2 | 31 |
| | | | | | | 10971 | P-602901 | 2 | 29,5 |
| | ALL TYPES | | 60 | BEDNIX - BOSCH | 3456-G | 10970 | P-603002 | 2 | 30,8 |
| | ALL TYPES | | 38 | BEDNIX - BOSCH | 3371-G | 10740 | P-383102 | 2 | 31,7 |
| | ALL TYPES | | 38 | ATE | 3451-G | 10603 | P-382901 | 2 | 29,9 |
| | ALL TYPES | | 19 | FAG | 10298 | | | | |



Master Cylinder



Front Caliper



Front Wheel Cylinder



Clutch Master Cylinder



Front Caliper Guides



Pressure Regulating Valve



Rear Caliper



Rear Wheel Cylinder



Clutch Slave Cylinder



Rear Caliper Guides



∅
(mm.)

VERSION



MERCEDES

15 of 19

SLK (R170) 4-96→4-04

| | | | | | | | | |
|--|----------------------|-------------|------|----------------|---------------|----------|---|------|
| | 200 - 230 KOMPRESSOR | 19 | ATE | 3445-G | | | | |
| | 32 AMG KOMPRESSOR | 44 | ATE | 6272-G | 11760 | P-445601 | 2 | 56 |
| | ALL TYPES | 57 | ATE | 3391-G | 11427 | P-575701 | 1 | 57,5 |
| | ALL TYPES | 57 | ATE | 4983-G | | | | |
| | ALL TYPES | 12 | ATE | 30023-G | | | | |
| | ALL TYPES | 36 | ATE | 4382-G | 10726 | P-363001 | 2 | 30,6 |
| | ALL TYPES | 38 | ATE | 3451-G | 10666 | P-382802 | 2 | 28,5 |
| | 32 AMG KOMPRESSOR | 42 | ATE | 4456-G | 11709 | P-423003 | 2 | 30 |
| | ALL TYPES | 09-96→04-04 | 19 | FAG | 11839 | | | |
| | ALL TYPES | | 19 | FAG | 3452-G | | | |
| | 200 - 230 KOMPRESSOR | 01-96→01-00 | 23,8 | FAG | 3461-G | | | |

SLK (R171) 3-04→

| | | | | | | | | |
|--|---------------------|----|--------|----------------|-------|----------|---|------|
| | ALL TYPES EXCEPT 55 | 57 | BREMBO | 6319-G | 11445 | P-573102 | 2 | 31 |
| | ALL TYPES | 10 | LUCAS | 30078-G | | | | |
| | ALL TYPES EXCEPT 55 | 36 | ATE | 4382-G | 10726 | P-363001 | 2 | 30,6 |

SLK (R172) 02-11→

| | | | | | | | | |
|--|----------------------------|----|-----|----------------|-------|----------|---|----|
| | ALL TYPES | 60 | TRW | 6178-G | 11474 | P-605503 | 1 | 55 |
| | ALL TYPES (-SPORT PACKAGE) | 14 | TRW | 30103-G | | | | |

SPRINTER (906) 06→

| | | | | | | | | | |
|--|-------------|--------|----|--------|----------------|-------|----------|---|------|
| | 200 - 300 | 06-06→ | 48 | BREMBO | 6052-G | 11000 | P-485901 | 2 | 59,5 |
| | 500 | 06-06→ | 52 | BREMBO | 4947-G | 11362 | P-526001 | 2 | 60,5 |
| | ALL TYPES | 06-06→ | 18 | BREMBO | 30032-G | | | | |
| | 3 - 3.5 - 5 | 06-06→ | 18 | BREMBO | 30035-G | | | | |
| | 500 | 06-06→ | 48 | BOSCH | 6156-G | 11806 | P-486001 | 2 | 60,5 |
| | 200 - 300 | 06-06→ | 51 | BOSCH | 6084-G | 11814 | P-516001 | 1 | 60,5 |
| | ALL TYPES | 06-06→ | 10 | BOSCH | 30057-G | | | | |
| | ALL TYPES | 06-06→ | 12 | BOSCH | 30093-G | | | | |



Master Cylinder



Front Caliper



Front Wheel Cylinder



Clutch Master Cylinder



Front Caliper Guides



Pressure Regulating Valve



Rear Caliper



Rear Wheel Cylinder



Clutch Slave Cylinder



Rear Caliper Guides

Ø
(mm.)

VERSION



MERCEDES

16 of 19

SPRINTER (BM901-902-903-904-905) 95→06

| | | | | | | | | | |
|--|---------------------------|-------------|------|----------------|----------------|-------|----------|---|------|
| | ALL TYPES (-ABS) | | 23,8 | BEDNIX - BOSCH | 3402-G | | | | |
| | ALL TYPES 904 (HARD BOOT) | 02-95→ | 44 | PERROT | 4573-G | | | | |
| | ALL TYPES 904 (SOFT BOOT) | 02-95→ | 44 | PERROT | 4710-G | 10613 | P-446301 | 2 | 63 |
| | 400 SERIES (SOFT BOOT) | 02-95→05-06 | 44 | PERROT | 4991-G | 10799 | P-446301 | 2 | 63 |
| | ALL TYPES | | 45 | BOSCH | 4713-G | 10804 | P-455601 | 2 | 56,3 |
| | ALL TYPES | | 60 | ATE | 3133-G | 10594 | P-605801 | 1 | 58 |
| | ALL TYPES (SOFT BOOT) | | 60 | BOSCH | 4309-G | 10593 | P-605601 | 1 | 56,7 |
| | ALL TYPES | | 60 | BOSCH | 4984-G | | | | |
| | (904) 410 - 412 (4WS) | 02-95→05-06 | 9 | BOSCH | 30138-G | | | | |
| | ALL TYPES (2 PISTONS) | 02-95→05-06 | 10 | BOSCH | 30070-G | | | | |
| | ALL TYPES | | 12 | ATE | 30023-G | | | | |
| | (BM905) 616CDI | 01-03→ | 18 | BREMBO | 30032-G | | | | |
| | ALL TYPES 904 (HARD BOOT) | 02-95→ | 44 | PERROT | 4573-G | | | | |
| | ALL TYPES 904 (SOFT BOOT) | 02-95→ | 44 | PERROT | 4710-G | 10613 | P-446301 | 2 | 63 |
| | ALL TYPES | | 45 | ATE | 4329-G | 10813 | P-455302 | 1 | 53,1 |
| | ALL TYPES | | 52 | ATE | 4330-G | 10880 | P-525302 | 1 | 54,2 |
| | ALL TYPES | 02-95→ | 52 | BOSCH | 4546-G | 10561 | P-525301 | 1 | 53,7 |
| | ALL TYPES | | 12 | ATE | 30023-G | | | | |
| | ALL TYPES (DISC 272MM) | | 16 | BOSCH | 30109-G | | | | |
| | ALL TYPES | | 19 | FAG | 4141-G | | | | |
| | ALL TYPES | | 22,2 | FAG | 4249-G | | | | |

T1 (BM601 - BM602) 5-77→

| | | | | | | | | | |
|--|-----------|--------|------|--------|---------------|-------|----------|---|------|
| | ALL TYPES | | 23,8 | ATE | 4680-G | | | | |
| | ALL TYPES | | 25,4 | | 4542-G | | | | |
| | ALL TYPES | | 25,4 | ATE | 4687-G | | | | |
| | ALL TYPES | 01-77→ | 44 | PERROT | 3459-G | 10796 | P-443401 | 4 | 34,6 |
| | ALL TYPES | 01-80→ | 44 | ATE | 4461-G | 10797 | P-443701 | 4 | 37 |
| | ALL TYPES | | 15,9 | FAG | 4736-G | | | | |
| | ALL TYPES | 01-77→ | 19 | FAG | 4494-G | | | | |
| | ALL TYPES | | 23,8 | FAG | 3172-G | | | | |
| | ALL TYPES | | 23,8 | ATE | 3460-G | | | | |

T1-TN (BM611) 6-81→

| | | | | | | | | | |
|--|-----------------------|-------------|------|----------------|---------------|-------|----------|---|------|
| | ALL TYPES | | 27 | ATE | 4803-G | | | | |
| | 407 - 408 - 409 - 410 | 07-81→06-95 | 38,1 | FAG | 3634-G | | | | |
| | ALL TYPES | 01-81→ | 44 | PERROT | 3459-G | 10796 | P-443401 | 4 | 34,6 |
| | ALL TYPES | 01-81→ | 44 | ATE | 4461-G | 10797 | P-443701 | 4 | 37 |
| | ALL TYPES | 01-81→01-95 | 22,2 | BEDNIX - BOSCH | 3074-G | | | | |
| | ALL TYPES | | 22,2 | FAG | 4740-G | | | | |
| | ALL TYPES | | 19 | FAG | 4741-G | | | | |
| | ALL TYPES | | 23,8 | FAG | 3172-G | | | | |
| | ALL TYPES | | 23,8 | ATE | 3460-G | | | | |



Master Cylinder



Front Caliper



Front Wheel Cylinder



Clutch Master Cylinder



Front Caliper Guides



Pressure Regulating Valve



Rear Caliper



Rear Wheel Cylinder



Clutch Slave Cylinder



Rear Caliper Guides

Ø
(mm.)

VERSION

**MERCEDES**

17 of 19

T2-L (BM309-310) 1-68→12-88

| | | | | | | | | | |
|--|----------------------------|-------------|------|----------------|----------------|--|--|--|--|
| | ALL TYPES | | 22,2 | ATE | 3117-G | | | | |
| | ALL TYPES | | 22,2 | FAG | 3971-G | | | | |
| | ALL TYPES (SIMPLE CIRCUIT) | 01-70→ | 22,2 | ATE | 4405-G | | | | |
| | L608D - L613D | 01-70→01-88 | 25,4 | ATE | 4532-G | | | | |
| | 608D | | 25,4 | ATE | 4688-G | | | | |
| | ALL TYPES | 01-70→01-88 | 28,6 | FAG | 4801-G | | | | |
| | ALL TYPES | | 22,2 | | 2664-G | | | | |
| | ALL TYPES | | 23,8 | BEDNIX - BOSCH | 10173-G | | | | |
| | ALL TYPES | | 22,2 | | 2664-G | | | | |
| | L608D | | 23,8 | BEDNIX - BOSCH | 10173-G | | | | |
| | ALL TYPES | | 19 | FAG | 10298 | | | | |
| | L508D - L608D | | 19 | TAVISA | 2762-G | | | | |
| | ALL TYPES | | 19 | FAG | 3207-G | | | | |
| | ALL TYPES | | 19 | ATE | 3453-G | | | | |
| | ALL TYPES | | 23,8 | FAG | 3172-G | | | | |
| | ALL TYPES | | 23,8 | ATE | 3460-G | | | | |
| | ALL TYPES | 01-68→01-88 | 28,6 | FAG | 4742-G | | | | |

T2-LN1 (BM667-668-669-670) 3-86→

| | | | | | | | | | |
|--|------------------------------------|-------------|-------|---------|---------------|-------|----------|---|------|
| | (BM667) L508D - G (SIMPLE CIRCUIT) | 01-70→ | 22,2 | ATE | 4405-G | | | | |
| | (BM667) | | 23,8 | ATE | 4680-G | | | | |
| | (BM668 - BM669) (FOR REAR AXLE) | | 27 | FAG | 4804-G | | | | |
| | (BM668) 609D (-ABS) | | 30 | ATE | 4800-G | | | | |
| | (BM668 - BM669 - BM670) | | 33,34 | FAG | 4798-G | | | | |
| | 508D | 03-89→10-94 | 38,1 | FAG | 3634-G | | | | |
| | ALL TYPES | 01-86→ | 44 | ATE | 4461-G | 10797 | P-443701 | 4 | 37 |
| | ALL TYPES | 01-86→ | 60 | GIRLING | 4498-G | 10964 | P-606301 | 2 | 63,3 |
| | ALL TYPES | 01-86→ | 60 | ATE | 4507-G | | | | |
| | ALL TYPES | 01-86→ | 60 | ATE | 6080-G | 10992 | P-606701 | 2 | 67,3 |
| | (BM668 - BM669 - BM670) | | 31,8 | ATE | 4813-G | | | | |
| | ALL TYPES | 01-86→ | 60 | TRW | 4310-G | 11459 | P-606302 | 1 | 63,3 |
| | | | | | | | P-606301 | 1 | 63,3 |
| | ALL TYPES | | 19 | FAG | 4816-G | | | | |
| | (BM670) | 01-96→ | 25,4 | FAG | 4787-G | | | | |

UNIMOG 01-66→

| | | | | | | | | | |
|--|---|-------------|------|-----|---------------|-------|----------|---|----|
| | ALL TYPES (FOR REAR AXLE) | 01-88→ | 27 | FAG | 4804-G | | | | |
| | U800 - U900 | 01-77→03-90 | 60 | ATE | 3447-G | 10972 | P-603101 | 2 | 31 |
| | BM403 - 406 - 413 - 416 - 424 (2 PISTONS) | 01-73→ | | | | | | | |
| | U SERIES | 01-77→ | 60 | ATE | 3507-G | | | | |
| | U SERIES | 01-77→ | 60 | ATE | 4272-G | | | | |
| | BM403 - 406 - 413 - 416 - 424 (2 PISTONS) | 01-73→ | 54 | ATE | 3041-G | | | | |
| | U SERIES (2 PISTONS) | 01-77→ | 54 | ATE | 6024-G | | | | |
| | U SERIES | 01-77→09-88 | 23,8 | FAG | 10299 | | | | |



Master Cylinder



Front Caliper



Front Wheel Cylinder



Clutch Master Cylinder



Front Caliper Guides



Pressure Regulating Valve



Rear Caliper



Rear Wheel Cylinder



Clutch Slave Cylinder



Rear Caliper Guides



∅
(mm.)

VERSION



MERCEDES

18 of 19

VANEO (414) 2-02→

| | | | | | | | | |
|--|-----------|----|-------|----------------|-------|----------|---|------|
| | ALL TYPES | 57 | LUCAS | 6063-G | 10938 | P-575401 | 1 | 54,8 |
| | ALL TYPES | 10 | LUCAS | 30078-G | | | | |
| | ALL TYPES | 30 | LUCAS | 6097-G | 11006 | P-304702 | 1 | 47,5 |
| | ALL TYPES | 10 | LUCAS | 30016-G | | | | |

VARIO 9-96→

| | | | | | | | | |
|--|------------------------|--------|----|-----|---------------|-------|----------|--------|
| | 810 DT (FOR REAR AXLE) | 09-96→ | 27 | FAG | 4804-G | | | |
| | ALL TYPES | 09-96→ | 60 | TRW | 4498-G | 10964 | P-606301 | 2 63,3 |
| | ALL TYPES | 09-96→ | 60 | ATE | 6080-G | 10992 | P-606701 | 2 67,3 |
| | ALL TYPES | 09-96→ | 60 | TRW | 4310-G | 11459 | P-606302 | 1 63,3 |
| | ALL TYPES | 09-96→ | 19 | FAG | 4816-G | | P-606301 | 1 63,3 |

V-CLASS (BM638-2) 2-96→7-03

| | | | | | | | | |
|--|-------------------------------|--|------|----------------|----------------|-------|----------|--------|
| | ALL TYPES (-ABS) | | 23,8 | BEDNIX - BOSCH | 3402-G | | | |
| | ALL TYPES | | 60 | ATE | 3133-G | 10594 | P-605801 | 1 58 |
| | ALL TYPES (SOFT CALIPER BOOT) | | 60 | BOSCH | 4309-G | 10593 | P-605601 | 1 56,7 |
| | ALL TYPES (HARD BOOT) | | 60 | BOSCH | 4743-G | 10595 | P-605601 | 1 56,7 |
| | ALL TYPES | | 60 | BOSCH | 4984-G | | | |
| | ALL TYPES | | 12 | ATE | 30023-G | | | |
| | ALL TYPES | | 16 | BOSCH | 30109-G | | | |
| | ALL TYPES | | 33 | ATE | 3518-G | 10642 | P-334901 | 1 49 |
| | (BM638) | | 33 | BOSCH | 4756-G | 10513 | P-335001 | 1 50,2 |
| | ALL TYPES | | 33 | ATE | 6006-G | | | |
| | ALL TYPES | | 22 | BOSCH | 30124-G | | | |
| | ALL TYPES | | 19 | FAG | 4141-G | | | |
| | ALL TYPES | | 22,2 | FAG | 4249-G | | | |

VIANO (W639) 9-03→

| | | | | | | | | |
|--|-----------|--|----|--------|----------------|-------|----------|--------|
| | ALL TYPES | | 48 | BOSCH | 4996-G | 10823 | P-486001 | 2 60,5 |
| | ALL TYPES | | 16 | BOSCH | 30109-G | | | |
| | ALL TYPES | | 18 | BREMBO | 30032-G | | | |
| | ALL TYPES | | 38 | BOSCH | 4978-G | 10748 | P-385201 | 1 52,5 |
| | ALL TYPES | | 10 | BOSCH | 30057-G | | | |



Master Cylinder



Front Caliper



Front Wheel Cylinder



Clutch Master Cylinder



Front Caliper Guides



Pressure Regulating Valve



Rear Caliper



Rear Wheel Cylinder



Clutch Slave Cylinder



Rear Caliper Guides



∅
(mm.)

VERSION



MERCEDES

19 of 19

VITO (BM638) 02-96→7-03

| | | | | | | | | | |
|--|-------------------------------|--|------|----------------|----------------|-------|----------|---|------|
| | ALL TYPES (-ABS) | | 23,8 | BEDNIX - BOSCH | 3402-G | | | | |
| | ALL TYPES | | 60 | ATE | 3133-G | 10594 | P-605801 | 1 | 58 |
| | ALL TYPES (SOFT CALIPER BOOT) | | 60 | BOSCH | 4309-G | 10593 | P-605601 | 1 | 56,7 |
| | ALL TYPES (HARD BOOT) | | 60 | BOSCH | 4743-G | 10595 | P-605601 | 1 | 56,7 |
| | ALL TYPES | | 60 | BOSCH | 4984-G | | | | |
| | ALL TYPES | | 12 | ATE | 30023-G | | | | |
| | ALL TYPES | | 16 | BOSCH | 30109-G | | | | |
| | ALL TYPES | | 24 | ATE | 4331-G | | | | |
| | ALL TYPES | | 33 | ATE | 3518-G | 10642 | P-334901 | 1 | 49 |
| | (BM638) | | 33 | BOSCH | 4756-G | 10513 | P-335001 | 1 | 50,2 |
| | ALL TYPES | | 33 | ATE | 6006-G | | | | |
| | ALL TYPES | | 12 | ATE | 30023-G | | | | |
| | ALL TYPES | | 22 | BOSCH | 30124-G | | | | |
| | ALL TYPES | | 22 | ATE | 30125-G | | | | |
| | ALL TYPES | | 19 | FAG | 4141-G | | | | |
| | ALL TYPES | | 22,2 | FAG | 4249-G | | | | |

VITO (W639) 9-03→

| | | | | | | | | | |
|--|-----------|--------|----|--------|----------------|-------|----------|---|------|
| | ALL TYPES | 09-03→ | 48 | BOSCH | 4996-G | 10823 | P-486001 | 2 | 60,5 |
| | ALL TYPES | 09-03→ | 48 | BREMBO | 6052-G | 11000 | P-485901 | 2 | 59,5 |
| | ALL TYPES | 09-03→ | 60 | BOSCH | 4984-G | | | | |
| | ALL TYPES | 09-03→ | 16 | BOSCH | 30109-G | | | | |
| | ALL TYPES | 03-06→ | 18 | BREMBO | 30032-G | | | | |
| | ALL TYPES | 09-03→ | 18 | BREMBO | 30035-G | | | | |
| | ALL TYPES | 09-03→ | 38 | BOSCH | 4978-G | 10748 | P-385201 | 1 | 52,5 |
| | ALL TYPES | 09-03→ | 10 | BOSCH | 30057-G | | | | |



Master Cylinder



Front Caliper



Front Wheel Cylinder



Clutch Master Cylinder



Front Caliper Guides



Pressure Regulating Valve



Rear Caliper



Rear Wheel Cylinder



Clutch Slave Cylinder



Rear Caliper Guides



∅
(mm.)

VERSION



MINI

1 of 1

MINI (R50 - R53)

| | | | | | | | | | |
|--|-----------------------|-------------|-----|-------|----------------|-------|----------|---|------|
| | ALL TYPES (HARD BOOT) | 06-01→ | 48 | ATE | 4776-G | 10820 | P-485502 | 1 | 55,5 |
| | ALL TYPES | 06-01→ | 54 | LUCAS | 3649-G | 10669 | P-544901 | 1 | 49,8 |
| | ALL TYPES | 06-01→ | 8,4 | LUCAS | 30046-G | | | | |
| | ALL TYPES | 06-01→11-06 | 12 | ATE | 30023-G | | | | |
| | ALL TYPES | 06-01→ | 34 | ATE | 4822-G | 10710 | P-345001 | 1 | 49,7 |
| | ALL TYPES | | | | | 11571 | K-345001 | 1 | 49,7 |
| | ALL TYPES | 06-01→11-06 | 12 | ATE | 30023-G | | | | |

MINI (R56)

| | | | | | | | | | |
|--|---------------|--------|-----|-------|----------------|-------|----------|---|----|
| | ALL TYPES | | 8,4 | LUCAS | 30046-G | | | | |
| | 1.4 - 1.6 - D | 11-06→ | 36 | LUCAS | 4753-G | 11595 | P-364805 | 1 | 48 |
| | | | | | | 11602 | K-364805 | 1 | 48 |

MINI CABRIO (R52)

| | | | | | | | | | |
|--|-----------|--|-----|-------|----------------|--|--|--|--|
| | ALL TYPES | | 8,4 | LUCAS | 30046-G | | | | |
|--|-----------|--|-----|-------|----------------|--|--|--|--|

MINI CLUBMAN (R55)

| | | | | | | | | | |
|--|-----------|--|-----|-------|----------------|--|--|--|--|
| | ALL TYPES | | 8,4 | LUCAS | 30046-G | | | | |
|--|-----------|--|-----|-------|----------------|--|--|--|--|



Master Cylinder



Front Caliper



Front Wheel Cylinder



Clutch Master Cylinder



Front Caliper Guides



Pressure Regulating Valve



Rear Caliper



Rear Wheel Cylinder



Clutch Slave Cylinder



Rear Caliper Guides



∅
(mm.)

VERSION



MITSUBISHI

1 of 14

3.0GT

| | | | | | | | | | |
|--|--------------|-------------|----|----------|---------------|-------|----------|---|------|
| | 3.0i 24V 4x4 | 06-92→08-99 | 38 | SUMITOMO | 4605-G | 10734 | P-383101 | 2 | 31,4 |
| | ALL TYPES | 06-92→ | 40 | SUMITOMO | 4619-G | 11664 | P-422801 | 2 | 29 |
| | | | | | | | P-402903 | 2 | 29 |

ASX

| | | | | | | | | | |
|--|-----------|--------|----|---------|----------------|-------|----------|---|------|
| | ALL TYPES | 05-10→ | 10 | AKEBONO | 30085-G | | | | |
| | ALL TYPES | 05-10→ | 35 | AKEBONO | 6230-G | 11093 | P-354502 | 1 | 45,8 |
| | ALL TYPES | 05-10→ | 10 | AKEBONO | 30074-G | | | | |

CANTER

| | | | | | | | | | |
|--|--------------------------|-------------|-------|---------|---------------|--|--|--|--|
| | ALL TYPES | 01-86→ | 25,4 | | 3993-G | | | | |
| | FC211 - FC212 | 01-79→01-82 | 28,6 | | 4345-G | | | | |
| | ALL TYPES | 01-83→ | 28,6 | AKEBONO | 4551-G | | | | |
| | 35 | 07-98→ | 30 | | 6135-G | | | | |
| | 2.8D - 2.8TDI - 3.9TDI | 10-96→07-01 | 31,75 | | 6189-G | | | | |
| | 2 TON - 3 TON (NO RIVET) | 01-79→ | 31,8 | | 4205-G | | | | |
| | ALL TYPES (RIVET) | 01-81→ | 31,8 | | 4225-G | | | | |
| | 2.7 TRUCK (FB300) | 01-86→01-95 | 22,2 | AKEBONO | 4602-G | | | | |
| | ALL TYPES | 01-86→ | 25,4 | | 4236-G | | | | |
| | 2 TON - 3 TON (NO RIVET) | 01-79→ | 28,6 | | 4224-G | | | | |
| | ALL TYPES (RIVET) | 01-81→ | 28,6 | | 4227-G | | | | |
| | ALL TYPES | 01-83→01-91 | 15,9 | | 3724-G | | | | |
| | ALL TYPES | | 22,2 | | 4114-G | | | | |
| | ALL TYPES | 01-83→01-87 | 15,9 | | 3890-G | | | | |
| | ALL TYPES | 07-86→ | 15,9 | | 4231-G | | | | |
| | ALL TYPES | 01-91→01-95 | 22,2 | | 3891-G | | | | |

CARISMA

| | | | | | | | | | |
|--|-----------------------------|-------------|------|---------|----------------|-------|----------|---|------|
| | ALL TYPES | 07-95→ | 24 | MANDO | 6206-G | | | | |
| | ALL TYPES | 07-95→06-06 | 54 | LUCAS | 4481-G | 10564 | P-544901 | 1 | 49,8 |
| | ALL TYPES (SOLID DISC) | 07-95→06-06 | 10 | LUCAS | 30017-G | | | | |
| | ALL TYPES (VENTILATED DISC) | 07-95→06-06 | 10 | LUCAS | 30078-G | | | | |
| | ALL TYPES | 07-95→ | 35 | AKEBONO | 3576-G | 11089 | P-354503 | 1 | 45 |
| | | | | | | 11587 | K-354503 | 1 | 45 |
| | ALL TYPES | 07-95→ | 38 | LUCAS | 4442-G | 10520 | P-385101 | 1 | 51 |
| | | | | | | 11651 | K-385101 | 1 | 51 |
| | ALL TYPES | 07-95→06-06 | 8 | LUCAS | 30004-G | | | | |
| | ALL TYPES | 07-95→06-06 | 13 | AKEBONO | 30027-G | | | | |
| | ALL TYPES | 01-96→ | 15,9 | NABCO | 4403-G | | | | |
| | ALL TYPES | 01-95→ | 20,6 | | 3529-G | | | | |

CELESTE

| | | | | | | | | | |
|--|-------------|-------------|----|----------|---------------|-------|----------|---|----|
| | (A7) SERIES | 01-77→06-81 | 51 | SUMITOMO | 4595-G | 10871 | P-514505 | 1 | 45 |
|--|-------------|-------------|----|----------|---------------|-------|----------|---|----|



Master Cylinder



Front Caliper



Front Wheel Cylinder



Clutch Master Cylinder



Front Caliper Guides



Pressure Regulating Valve



Rear Caliper



Rear Wheel Cylinder



Clutch Slave Cylinder



Rear Caliper Guides

Ø
(mm.)

VERSION



MITSUBISHI

2 of 14

CENTURA

| | | | | | | | | | |
|--|-----------------------|-------------|------|-------------|---------------|--|--|--|--|
| | GF16 (SIMPLE CIRCUIT) | 01-75→01-77 | 19 | AP LOCKHEED | 4659-G | | | | |
| | GF16 | 04-75→06-76 | 48 | | 3677-G | | | | |
| | ALL TYPES | 04-75→00-78 | 60 | | 6331-G | | | | |
| | GF16 | 04-75→06-76 | 22,2 | | 2602-G | | | | |
| | 4CYLINDER | | 28,6 | | 3024-G | | | | |

COLT

| | | | | | | | | | |
|--|---------------------------------|-------------|------|----------|----------------|-------|----------|---|------|
| | IV - V SERIES (RHD) | 01-92→ | 20,6 | | 3717-G | | | | |
| | II - III SERIES | 10-82→05-92 | 20,6 | | 3718-G | | | | |
| | I SERIES | 12-78→01-84 | 20,6 | | 3729-G | | | | |
| | II - III SERIES | 10-82→05-92 | 22,2 | NABCO | 3721-G | | | | |
| | II - III SERIES | 01-84→ | 23,8 | NABCO | 3558-G | | | | |
| | II - III SERIES 1.2 - 1.3 - 1.5 | 10-82→05-92 | 51 | SUMITOMO | 4478-G | 10857 | P-514601 | 1 | 46 |
| | III SERIES | 11-83→05-92 | 51 | NISSIN | 4479-G | 11348 | P-514601 | 1 | 46 |
| | III - IV SERIES 1.5 (REAR DRUM) | 11-83→04-96 | 51 | SUMITOMO | 4480-G | 10855 | P-514601 | 1 | 46 |
| | I SERIES | 12-78→03-84 | 51 | SUMITOMO | 4595-G | 10871 | P-514505 | 1 | 45 |
| | VI SERIES | 06-04→ | 54 | AKEBONO | 3731-G | 10672 | P-544901 | 1 | 49,8 |
| | II - III SERIES | 10-82→05-92 | | | | | | | |
| | VI SERIES 1.5 CZT | 06-04→ | 54 | LUCAS | 4481-G | 10564 | P-544901 | 1 | 49,8 |
| | III - IV SERIES 1.8 | 11-83→04-96 | 54 | AKEBONO | 4501-G | 10893 | P-544701 | 1 | 47,5 |
| | III - IV - V SERIES | 11-83→09-03 | 54 | SUMITOMO | 4503-G | 10882 | P-544902 | 1 | 49 |
| | VI - VII SERIES | 06-04→ | 54 | LUCAS | 4726-G | 10915 | P-544901 | 1 | 49,8 |
| | III - IV - V SERIES | 11-83→09-03 | 54 | SUMITOMO | 6081-G | | | | |
| | III SERIES C58A | 11-83→05-92 | 60 | AKEBONO | 4286-G | | | | |
| | IV - V SERIES | 03-92→09-03 | 9 | SUMITOMO | 30053-G | | | | |
| | VI SERIES (SOLID DISC) | 06-04→ | 10 | LUCAS | 30017-G | | | | |
| | VI SERIES (VENTILATED DISC) | 06-04→ | 10 | LUCAS | 30078-G | | | | |
| | III - IV SERIES GTI 16V | 11-83→04-96 | 10 | AKEBONO | 30080-G | | | | |
| | III SERIES | 11-83→05-92 | 13 | SUMITOMO | 30099-G | | | | |
| | I SERIES | 12-78→03-84 | 15,9 | | 10217-G | | | | |
| | IV SERIES | 05-92→ | 17,5 | | 3804-G | | | | |
| | I - II - III SERIES | 12-78→05-92 | 19 | | 10235-G | | | | |
| | III - IV - V SERIES | 11-83→09-03 | 30 | AKEBONO | 3732-G | 11013 | P-304503 | 1 | 45 |
| | | | | | | 11509 | K-304503 | 1 | 45 |
| | VI SERIES | 06-04→ | 34 | LUCAS | 4695-G | 10516 | P-334601 | 1 | 46,8 |
| | | | | | | 11564 | K-334601 | 1 | 46,8 |
| | VI - VII SERIES (DISC 9MM) | 06-04→ | 34 | TRW | 6007-G | 10713 | P-344801 | 1 | 48 |
| | | | | | | 11561 | K-344801 | 1 | 48 |
| | III SERIES 1.6 - 1.8 16V (+ABS) | 11-83→05-92 | 35 | AKEBONO | 3576-G | 11089 | P-354503 | 1 | 45 |
| | III SERIES 1.6 - 1.8 16V (ABS) | | | | | 11587 | K-354503 | 1 | 45 |
| | VI - VII SERIES | 06-04→ | 8,4 | LUCAS | 30046-G | | | | |
| | III - IV - V SERIES | 11-83→09-03 | 13 | AKEBONO | 30027-G | | | | |
| | ALL TYPES | | 15,9 | NABCO | 3170-G | | | | |
| | III SERIES | 04-88→05-92 | 15,9 | | 4590-G | | | | |
| | ALL TYPES | | 19 | | 3575-G | | | | |
| | ALL TYPES | | 20,6 | | 3529-G | | | | |



Master Cylinder



Front Caliper



Front Wheel Cylinder



Clutch Master Cylinder



Front Caliper Guides



Pressure Regulating Valve



Rear Caliper



Rear Wheel Cylinder



Clutch Slave Cylinder



Rear Caliper Guides

Ø
(mm.)

VERSION

**MITSUBISHI**

3 of 14

DELICA

| | | | | | | | | |
|--|-----------|-------------|------|--|---------------|--|--|--|
| | ALL TYPES | 01-76→01-79 | 23,8 | | 4558-G | | | |
| | ALL TYPES | 01-71→01-79 | 28,6 | | 4232-G | | | |
| | ALL TYPES | 01-75→01-79 | 19 | | 3725-G | | | |
| | ALL TYPES | 01-71→12-74 | 20,6 | | 4191-G | | | |

ECLIPSE

| | | | | | | | | |
|--|------------------------|-------------|----|---------|----------------|-------|----------|--------|
| | I SERIES (D27A) 4WD | 12-89→03-94 | 42 | AKEBONO | 4454-G | 10660 | P-414501 | 2 45,8 |
| | I SERIES (D21A - D22A) | 12-89→03-94 | 54 | AKEBONO | 4501-G | 10893 | P-544701 | 1 47,5 |
| | I SERIES (D22A) | 12-89→03-94 | 60 | AKEBONO | 4286-G | 10959 | P-604802 | 1 48,9 |
| | II SERIES (D32A) | 08-95→04-99 | | | | | P-604802 | 1 48,9 |
| | II SERIES | 08-95→04-99 | 10 | AKEBONO | 30080-G | | | |
| | I SERIES | 12-89→03-94 | 11 | AKEBONO | 30087-G | | | |
| | I SERIES | 12-89→ | 30 | AKEBONO | 3732-G | 11013 | P-304503 | 1 45 |
| | | | | | | 11509 | K-304503 | 1 45 |
| | I SERIES (+ABS) | 12-89→08-95 | 35 | AKEBONO | 3576-G | 11089 | P-354503 | 1 45 |
| | | | | | | 11587 | K-354503 | 1 45 |
| | II SERIES | 08-95→ | 35 | AKEBONO | 4435-G | 10717 | P-354502 | 1 45,8 |
| | I SERIES 2.0 4x4 | 12-89→08-95 | 13 | AKEBONO | 30027-G | | | |

ETERNA

| | | | | | | | | |
|--|-----------|-------------|------|---------|---------------|--|--|--|
| | ALL TYPES | 01-91→01-93 | 23,8 | NABCO | 3558-G | | | |
| | ALL TYPES | 01-91→01-93 | 60 | AKEBONO | 4286-G | | | |
| | ALL TYPES | 01-91→ | 35 | AKEBONO | 3576-G | | | |
| | ALL TYPES | 01-91→01-93 | 15,9 | NABCO | 3170-G | | | |
| | ALL TYPES | 01-91→01-93 | 20,6 | | 3529-G | | | |

GALANT (I SERIES) 01-77→08-80

| | | | | | | | | |
|--|-----------|-------------|------|----------|---------------|-------|----------|------|
| | ALL TYPES | 01-77→08-80 | 19 | | 4397-G | | | |
| | ALL TYPES | 01-77→08-80 | 20,6 | | 4616-G | | | |
| | ALL TYPES | 01-77→08-80 | 23,8 | NABCO | 3912-G | | | |
| | ALL TYPES | 01-77→08-80 | 48 | SUMITOMO | 3356-G | 11794 | P-482901 | 2 29 |
| | ALL TYPES | 01-77→08-80 | 51 | SUMITOMO | 4595-G | 10871 | P-514505 | 1 45 |
| | ALL TYPES | 01-77→08-80 | 54 | AKEBONO | 3577-G | | | |
| | ALL TYPES | 01-77→08-80 | 35 | AKEBONO | 4698-G | | | |

GALANT (II SERIES) 09-80→05-84

| | | | | | | | | |
|--|-------------------|-------------|------|----------|----------------|-------|----------|------|
| | ALL TYPES | 09-80→05-84 | 22,2 | | 3980-G | | | |
| | 1.6 - VAN | 09-80→05-84 | 51 | SUMITOMO | 4474-G | 10854 | P-514601 | 1 46 |
| | ALL TYPES | 09-80→05-84 | 54 | AKEBONO | 3577-G | | | |
| | 2000 TURBO | 05-82→05-84 | 57 | SUMITOMO | 4490-G | 11416 | P-574602 | 1 46 |
| | ALL TYPES | 09-80→05-84 | 20,6 | | 10234-G | | | |
| | 2000 - 2300D - TD | 09-80→05-84 | 38 | | 4441-G | | | |
| | 2000 TURBO | 05-82→05-84 | 41 | AKEBONO | 4496-G | 11699 | P-414101 | 1 41 |



Master Cylinder



Front Caliper



Front Wheel Cylinder



Clutch Master Cylinder



Front Caliper Guides



Pressure Regulating Valve



Rear Caliper



Rear Wheel Cylinder



Clutch Slave Cylinder



Rear Caliper Guides



∅
(mm.)

VERSION



MITSUBISHI

4 of 14

GALANT (III SERIES) 10-83→04-90

| | | | | | | | | | |
|--|-----------------------|-------------|------|---------|----------------|-------|----------|---|----|
| | ALL TYPES | 06-84→04-90 | 22,2 | NABCO | 3721-G | | | | |
| | ALL TYPES | 06-84→04-90 | 23,8 | NABCO | 3558-G | | | | |
| | ALL TYPES | 06-84→04-90 | 54 | AKEBONO | 3731-G | | | | |
| | ALL TYPES | 06-84→04-90 | 17,5 | | 3804-G | | | | |
| | ALL TYPES | 06-84→04-90 | 19 | | 10235-G | | | | |
| | ALL TYPES | 06-84→04-90 | 30 | AKEBONO | 3732-G | 11013 | P-304503 | 1 | 45 |
| | | | | | | 11509 | K-304503 | 1 | 45 |
| | 2.0 - 2.4 (14" WHEEL) | 06-84→04-90 | 30 | AKEBONO | 4625-G | 11008 | P-304503 | 1 | 45 |
| | | | | | | 11507 | K-304503 | 1 | 45 |
| | ALL TYPES | 06-84→04-90 | 13 | AKEBONO | 30027-G | | | | |
| | ALL TYPES | 06-84→04-90 | 19 | | 3575-G | | | | |

GALANT (IV SERIES) 11-87→03-93

| | | | | | | | | | |
|--|------------------------|-------------|------|----------|----------------|-------|----------|---|------|
| | ALL TYPES | 11-87→10-92 | 22,2 | NABCO | 3721-G | | | | |
| | 2.0 (E33A) | 04-89→10-92 | 22,2 | | 4350-G | | | | |
| | ALL TYPES | 11-87→10-92 | 23,8 | NABCO | 3558-G | | | | |
| | 1800 - 2000 | 05-90→10-92 | 42 | AKEBONO | 4454-G | 10660 | P-414501 | 2 | 45,8 |
| | ALL TYPES | 11-87→05-90 | 54 | AKEBONO | 3731-G | | | | |
| | 1800 - 2000 | 05-90→10-92 | 54 | AKEBONO | 4501-G | 10893 | P-544701 | 1 | 47,5 |
| | 1600 | 05-90→10-92 | 54 | SUMITOMO | 4503-G | 10882 | P-544902 | 1 | 49 |
| | 1600 | 05-90→10-92 | 54 | SUMITOMO | 6081-G | | | | |
| | ALL TYPES | 11-87→10-92 | 60 | AKEBONO | 4286-G | 10959 | P-604802 | 1 | 48,9 |
| | ALL TYPES | 05-90→10-04 | 10 | AKEBONO | 30080-G | | | | |
| | ALL TYPES | 11-87→05-90 | 11 | AKEBONO | 30087-G | | | | |
| | ALL TYPES | 11-87→10-92 | 17,5 | | 3804-G | | | | |
| | ALL TYPES | 11-87→10-92 | 30 | AKEBONO | 3732-G | 11013 | P-304503 | 1 | 45 |
| | | | | | | 11509 | K-304503 | 1 | 45 |
| | ALL TYPES 4WD | 06-88→12-92 | 35 | AKEBONO | 3576-G | 11089 | P-354503 | 1 | 45 |
| | ALL TYPES (-HANDBRAKE) | 11-88→12-92 | | | | 10715 | P-354502 | 1 | 45,8 |
| | ALL TYPES 4WD | 06-88→12-92 | | | | 11587 | K-354503 | 1 | 45 |
| | ALL TYPES | 11-87→10-92 | 13 | AKEBONO | 30027-G | | | | |
| | ALL TYPES | 11-87→10-92 | 19 | | 3575-G | | | | |
| | ALL TYPES | 11-87→10-92 | 20,6 | | 3529-G | | | | |

GALANT (V SERIES) 11-92→10-96

| | | | | | | | | | |
|--|---------------------------|-------------|------|---------|----------------|-------|----------|---|------|
| | ALL TYPES | 11-92→09-96 | 43 | AKEBONO | 3559-G | 10671 | P-434501 | 2 | 44,8 |
| | 1800 - 2000 DIESEL (-ABS) | 11-92→08-96 | 54 | AKEBONO | 4501-G | 10893 | P-544701 | 1 | 47,5 |
| | 1800 - 2000 DIESEL (ABS) | 11-92→08-96 | 60 | AKEBONO | 4286-G | 10959 | P-604802 | 1 | 48,9 |
| | 2000 4WD | 11-92→10-96 | | | | | P-604802 | 1 | 48,9 |
| | ALL TYPES | 11-92→10-96 | 10 | AKEBONO | 30080-G | | | | |
| | ALL TYPES | 11-92→08-96 | 35 | AKEBONO | 4435-G | 10717 | P-354502 | 1 | 45,8 |
| | 2.0 - 2.5 4WD | 11-92→08-96 | 38 | AKEBONO | 4307-G | 11128 | P-384602 | 1 | 46 |
| | ALL TYPES | 11-92→08-96 | 8 | AKEBONO | 30005-G | | | | |
| | ALL TYPES | 11-92→08-96 | 15,9 | NABCO | 3170-G | | | | |
| | ALL TYPES | 11-92→08-96 | 19 | | 3575-G | | | | |
| | ALL TYPES | 11-92→08-96 | 20,6 | | 3529-G | | | | |



Master Cylinder



Front Caliper



Front Wheel Cylinder



Clutch Master Cylinder



Front Caliper Guides



Pressure Regulating Valve



Rear Caliper



Rear Wheel Cylinder



Clutch Slave Cylinder



Rear Caliper Guides

Ø
(mm.)

VERSION



MITSUBISHI

5 of 14

GALANT (VI SERIES) 09-96→10-04

| | | | | | | | | | |
|--|-----------|-------------|----|---------|----------------|-------|----------|---|------|
| | ALL TYPES | 09-96→10-04 | 43 | AKEBONO | 3559-G | 10671 | P-434501 | 2 | 44,8 |
| | ALL TYPES | 09-96→02-00 | 60 | AKEBONO | 4286-G | 10959 | P-604802 | 1 | 48,9 |
| | ALL TYPES | 03-00→05-03 | 60 | AKEBONO | 4760-G | 10967 | P-604804 | 1 | 48 |
| | ALL TYPES | 09-96→10-04 | 10 | AKEBONO | 30080-G | | | | |
| | ALL TYPES | 09-96→10-04 | 35 | AKEBONO | 4435-G | 10717 | P-354502 | 1 | 45,8 |
| | ALL TYPES | 09-96→10-04 | 8 | AKEBONO | 30005-G | | | | |

GALLOPER

| | | | | | | | | | |
|--|--------------------------|--------|----|----------|---------------|-------|----------|---|------|
| | II SERIES | 02-99→ | 43 | AKEBONO | 3559-G | 10671 | P-434501 | 2 | 44,8 |
| | II SERIES 2.5 TD - 3.0V6 | 02-99→ | 57 | MANDO | 4305-G | 10943 | P-575103 | 1 | 51,2 |
| | ALL TYPES 2.5TD | 02-99→ | 43 | SUMITOMO | 4951-G | 11727 | P-434503 | 1 | 45 |

GRANDIS

| | | | | | | | | | |
|--|-----------|--------|----|----------|----------------|-------|----------|---|----|
| | ALL TYPES | 04-04→ | 45 | SUMITOMO | 4762-G | 10814 | P-454601 | 2 | 46 |
| | ALL TYPES | 04-04→ | 11 | SUMITOMO | 30147-G | | | | |
| | ALL TYPES | 04-04→ | 38 | AKEBONO | 4917-G | 11129 | P-384602 | 1 | 46 |
| | ALL TYPES | 04-04→ | 10 | AKEBONO | 30074-G | | | | |

i

| | | | | | | | | | |
|--|-----------|--------|----|--------|---------------|-------|----------|---|------|
| | ALL TYPES | 07-09→ | 51 | TOKICO | 6067-G | 11815 | P-514402 | 1 | 44,8 |
|--|-----------|--------|----|--------|---------------|-------|----------|---|------|

L200

| | | | | | | | | | |
|--|-------------------------|-------------|------|---------|----------------|-------|----------|---|------|
| | I SERIES | 01-78→10-86 | 20,6 | | 3729-G | | | | |
| | II - III SERIES | 10-86→ | 22,2 | | 3720-G | | | | |
| | I SERIES | 01-78→10-86 | 22,2 | | 3980-G | | | | |
| | I - II - III SERIES | 01-78→ | 23,8 | NABCO | 3558-G | | | | |
| | III SERIES (ABS) | 05-00→11-05 | 43 | AKEBONO | 3559-G | 10671 | P-434501 | 2 | 44,8 |
| | III SERIES 2.5 TD (ABS) | 08-01→11-05 | 43 | TOKICO | 3900-G | 10781 | P-434802 | 2 | 48 |
| | I SERIES | 01-78→10-86 | 54 | AKEBONO | 3577-G | 11406 | P-544704 | 1 | 47,5 |
| | II SERIES | 10-86→ | 57 | AKEBONO | 4575-G | 10947 | P-574801 | 1 | 48,3 |
| | II SERIES | 10-86→ | 57 | AKEBONO | 6068-G | | | | |
| | III SERIES 2.0 - 2.5 TD | 06-96→11-05 | 60 | AKEBONO | 4286-G | 10959 | P-604802 | 1 | 48,9 |
| | III SERIES (-ABS) | 05-00→11-05 | 61 | TOKICO | 6333-G | 11464 | P-605001 | 1 | 50 |
| | IV SERIES | 01-06→ | | | | | P-605001 | 1 | 50 |
| | III SERIES | 06-96→ | 10 | AKEBONO | 30080-G | | | | |
| | IV SERIES | 01-06→ | 10 | TOKICO | 30136-G | | | | |
| | III SERIES | 06-96→ | 11 | AKEBONO | 30087-G | | | | |
| | I SERIES 1.6 - 2.0 | 01-78→10-86 | 19 | | 3725-G | | | | |
| | I SERIES DIESEL | 01-78→10-86 | 20,6 | | 10234-G | | | | |
| | II - III SERIES 4WD | 01-86→11-05 | 22,2 | | 3727-G | | | | |
| | IV SERIES | 01-06→ | 22,2 | | 6158-G | | | | |
| | II - III SERIES 2WD | 01-86→11-05 | 23,8 | | 3728-G | | | | |
| | III SERIES | 08-01→11-05 | 23,8 | | 4539-G | | | | |
| | ALL TYPES | | 15,9 | NABCO | 3170-G | | | | |
| | ALL TYPES | | 19 | | 3575-G | | | | |



Master Cylinder



Front Caliper



Front Wheel Cylinder



Clutch Master Cylinder



Front Caliper Guides



Pressure Regulating Valve



Rear Caliper



Rear Wheel Cylinder



Clutch Slave Cylinder



Rear Caliper Guides



∅
(mm.)

VERSION



MITSUBISHI

6 of 14

L300

| | | | | | | | | | |
|--|-----------------------|--------|------|----------|----------------|-------|----------|---|------|
| | ALL TYPES | 01-83→ | 22,2 | | 3719-G | | | | |
| | ALL TYPES | 01-83→ | 23,8 | | 4360-G | | | | |
| | ALL TYPES | →01-87 | 28,6 | | 4232-G | | | | |
| | ALL TYPES | 01-87→ | 28,6 | AKEBONO | 4603-G | | | | |
| | ALL TYPES | 11-84→ | 54 | AKEBONO | 3577-G | 11406 | P-544704 | 1 | 47,5 |
| | ALL TYPES (13" WHEEL) | 01-81→ | 54 | SUMITOMO | 4583-G | | | | |
| | ALL TYPES | 01-87→ | 57 | AKEBONO | 4575-G | 10947 | P-574801 | 1 | 48,3 |
| | ALL TYPES | 01-87→ | 57 | AKEBONO | 6068-G | | | | |
| | ALL TYPES | | 17,5 | | 4208-G | | | | |
| | ALL TYPES | | 20,6 | | 10276-G | | | | |
| | ALL TYPES | | 22,2 | | 3727-G | | | | |
| | ALL TYPES | | 15,9 | | 3724-G | | | | |
| | ALL TYPES | | 19 | | 3575-G | | | | |

L400

| | | | | | | | | | |
|--|-----------|--------|----|---------|----------------|-------|----------|---|------|
| | ALL TYPES | 01-95→ | 43 | AKEBONO | 3559-G | 10671 | P-434501 | 2 | 44,8 |
| | ALL TYPES | 01-95→ | 60 | AKEBONO | 4286-G | 10959 | P-604802 | 1 | 48,9 |
| | ALL TYPES | 01-95→ | 10 | AKEBONO | 30080-G | | | | |
| | ALL TYPES | 01-95→ | 11 | AKEBONO | 30087-G | | | | |
| | 2000 4WD | 01-95→ | 38 | AKEBONO | 4307-G | 11128 | P-384602 | 1 | 46 |
| | ALL TYPES | 01-95→ | 13 | AKEBONO | 30027-G | | | | |

LANCER (I SERIES A17) 09-79→02-83

| | | | | | | | | | |
|--|------------|-------------|------|----------|----------------|-------|----------|---|----|
| | LA SEDAN | 01-74→01-77 | 19 | | 4397-G | | | | |
| | ALL TYPES | 01-80→01-83 | 20,6 | | 3729-G | | | | |
| | 1.2 - 1.4 | 01-75→01-79 | 23,8 | NABCO | 3912-G | | | | |
| | ALL TYPES | 01-79→02-83 | 51 | SUMITOMO | 4474-G | 10854 | P-514601 | 1 | 46 |
| | ALL TYPES | 01-75→08-79 | 51 | SUMITOMO | 4595-G | 10871 | P-514505 | 1 | 45 |
| | I SERIES | 09-79→02-83 | 20,6 | | 10234-G | | | | |
| | 1600 | 09-79→02-83 | 38 | AKEBONO | 4441-G | | | | |
| | 2000 TURBO | 03-81→02-83 | 41 | AKEBONO | 4496-G | 11699 | P-414101 | 1 | 41 |

LANCER (II SERIES A17) 03-83→09-86

| | | | | | | | | | |
|--|-------------|-------------|------|----------|----------------|-------|----------|---|----|
| | ALL TYPES | 03-83→09-86 | 20,6 | | 3718-G | | | | |
| | 2.000 TURBO | 03-83→09-86 | 57 | SUMITOMO | 4490-G | 11416 | P-574602 | 1 | 46 |
| | ALL TYPES | 03-83→09-86 | 15,9 | | 10217-G | | | | |



Master Cylinder



Front Caliper



Front Wheel Cylinder



Clutch Master Cylinder



Front Caliper Guides



Pressure Regulating Valve



Rear Caliper



Rear Wheel Cylinder



Clutch Slave Cylinder



Rear Caliper Guides

Ø
(mm.)

VERSION



MITSUBISHI

7 of 14

LANCER (III SERIES C1-C3) 11-83→06-92

| | | | | | | | | | |
|--|-----------------------|-------------|------|----------|----------------|-------|----------|---|----|
| | ALL TYPES | 01-84→06-92 | 20,6 | | 3718-G | | | | |
| | ALL TYPES | 01-84→06-92 | 22,2 | NABCO | 3721-G | | | | |
| | ALL TYPES | 01-84→06-92 | 23,8 | NABCO | 3558-G | | | | |
| | 1.2 - 1.5 | 07-85→05-90 | 51 | SUMITOMO | 4478-G | 10857 | P-514601 | 1 | 46 |
| | 1.2 - 1.5 (REAR DRUM) | 06-90→03-92 | 51 | SUMITOMO | 4480-G | 10855 | P-514601 | 1 | 46 |
| | 1500 SPECIAL BRAKES | 03-88→05-90 | 54 | AKEBONO | 3731-G | 10905 | P-544501 | 1 | 45 |
| | 1500 SPECIAL BRAKES | 06-90→03-92 | 54 | SUMITOMO | 4503-G | 10882 | P-544902 | 1 | 49 |
| | 1800 | | | | | | P-544902 | 1 | 49 |
| | 1800 | 06-90→03-92 | 54 | SUMITOMO | 6081-G | | | | |
| | 1500 SPECIAL BRAKES | | | | | | | | |
| | 1800 | 06-90→03-92 | 9 | SUMITOMO | 30053-G | | | | |
| | STATION WAGON | 09-85→06-92 | 13 | SUMITOMO | 30099-G | | | | |
| | STATION WAGON | 09-85→06-92 | 20,6 | | 10276-G | | | | |
| | ALL TYPES | 11-83→04-88 | 20,6 | | 4189-G | | | | |
| | ALL TYPES | 01-84→06-92 | 13 | AKEBONO | 30027-G | | | | |
| | 1.5 - DIESEL (LHD) | 01-84→01-88 | 15,9 | NABCO | 3170-G | | | | |

LANCER (IV SERIES C6-C7) 04-88→05-94

| | | | | | | | | | |
|--|--------------|-------------|------|----------|----------------|-------|----------|---|----|
| | ALL TYPES | 04-88→05-94 | 20,6 | | 3718-G | | | | |
| | ALL TYPES | 04-88→05-94 | 22,2 | NABCO | 3721-G | | | | |
| | 1.5 | 05-89→05-92 | 22,2 | | 4350-G | | | | |
| | C68 A | 11-89→05-92 | 23,8 | NABCO | 3558-G | | | | |
| | ALL TYPES | 04-88→05-94 | 54 | SUMITOMO | 4503-G | 10882 | P-544902 | 1 | 49 |
| | ALL TYPES | 04-88→05-94 | 54 | SUMITOMO | 6081-G | | | | |
| | ALL TYPES | 04-88→05-94 | 9 | SUMITOMO | 30053-G | | | | |
| | ALL TYPES | 11-89→12-93 | 10 | AKEBONO | 30080-G | | | | |
| | DIESEL | 04-88→05-92 | 17,5 | | 3804-G | | | | |
| | ALL TYPES | 04-88→05-94 | 30 | AKEBONO | 3732-G | 11013 | P-304503 | 1 | 45 |
| | | | | | | 11509 | K-304503 | 1 | 45 |
| | ALL TYPES | 04-88→ | 35 | AKEBONO | 3576-G | 11089 | P-354503 | 1 | 45 |
| | | | | | | 11587 | K-354503 | 1 | 45 |
| | ALL TYPES | 06-88→05-94 | 13 | AKEBONO | 30027-G | | | | |
| | DIESEL (LHD) | 04-88→05-92 | 15,9 | NABCO | 3170-G | | | | |
| | ALL TYPES | 04-88→05-94 | 15,9 | | 4590-G | | | | |
| | ALL TYPES | 04-88→05-94 | 20,6 | | 3529-G | | | | |

LANCER (V SERIES CB-CD) 06-92→09-00

| | | | | | | | | | |
|--|-----------------|--------|------|----------|----------------|-------|----------|---|------|
| | 1.3 - 1.5 (RHD) | 06-92→ | 20,6 | | 3717-G | | | | |
| | ALL TYPES 4WD | | 54 | AKEBONO | 4501-G | 10893 | P-544701 | 1 | 47,5 |
| | ALL TYPES 2WD | | 54 | SUMITOMO | 4503-G | 10882 | P-544902 | 1 | 49 |
| | ALL TYPES 2WD | | 54 | SUMITOMO | 6081-G | | | | |
| | ALL TYPES | | 9 | SUMITOMO | 30053-G | | | | |
| | ALL TYPES | 06-92→ | 30 | AKEBONO | 3732-G | 11013 | P-304503 | 1 | 45 |
| | | | | | | 11509 | K-304503 | 1 | 45 |
| | ALL TYPES | 06-92→ | 35 | AKEBONO | 3576-G | 11587 | K-354503 | 1 | 45 |
| | ALL TYPES | 06-92→ | 13 | AKEBONO | 30027-G | | | | |
| | ALL TYPES | 06-92→ | 15,9 | NABCO | 3170-G | | | | |
| | ALL TYPES | 06-92→ | 20,6 | | 3529-G | | | | |



Master Cylinder



Front Caliper



Front Wheel Cylinder



Clutch Master Cylinder



Front Caliper Guides



Pressure Regulating Valve



Rear Caliper



Rear Wheel Cylinder



Clutch Slave Cylinder



Rear Caliper Guides



∅
(mm.)

VERSION



MITSUBISHI

8 of 14

LANCER (VI SERIES CS-CT) 12-00→03-11

| | | | | | | | | | |
|--|-----------------|-------------|-----|----------|----------------|-------|----------|---|------|
| | EVO (4 PISTONS) | 03-04→ | 40 | BREMBO | 6245-G | | | | |
| | EVO (2 PISTONS) | 08-96→08-03 | 43 | AKEBONO | 3559-G | 10671 | P-434501 | 2 | 44,8 |
| | ALL TYPES | 12-95→ | 60 | AKEBONO | 4760-G | 10967 | P-604804 | 1 | 48 |
| | ALL TYPES | 12-95→08-03 | 9 | SUMITOMO | 30053-G | | | | |
| | ALL TYPES | 09-03→ | 9,8 | AKEBONO | 30039-G | | | | |
| | ALL TYPES | 09-03→ | 38 | AKEBONO | 4917-G | 11129 | P-384602 | 1 | 46 |
| | ALL TYPES | 09-03→ | 10 | AKEBONO | 30074-G | | | | |

LANCER (VII SERIES CX-CY-CZ) 03-07→

| | | | | | | | | | |
|--|--------------------------------|--------|----|---------|---------------|-------|----------|---|------|
| | 2000 GASOLINE | 01-08→ | 43 | AKEBONO | 3559-G | 10671 | P-434501 | 2 | 44,8 |
| | ALL TYPES EXCEPT 2000 GASOLINE | 01-08→ | 57 | AKEBONO | 6317-G | 11438 | P-574802 | 1 | 48 |
| | ALL TYPES | 01-08→ | 35 | AKEBONO | 6230-G | 11093 | P-354502 | 1 | 45,8 |
| | SPORTBACK 2.0 RALLIART (4WD) | 01-08→ | 38 | AKEBONO | 4917-G | 11129 | P-384602 | 1 | 46 |

MIRAGE

| | | | | | | | | | |
|--|-----|-------------|------|--|---------------|--|--|--|--|
| | 1.6 | 01-92→01-01 | 22,2 | | 4350-G | | | | |
|--|-----|-------------|------|--|---------------|--|--|--|--|



Master Cylinder



Front Caliper



Front Wheel Cylinder



Clutch Master Cylinder



Front Caliper Guides



Pressure Regulating Valve



Rear Caliper



Rear Wheel Cylinder



Clutch Slave Cylinder



Rear Caliper Guides



∅
(mm.)

VERSION



MITSUBISHI

9 of 14

MONTERO

| | | | | | | | | | |
|--|----------------------|-------------|------|----------|----------------|-------|----------|---|------|
| | I SERIES | 01-83→12-91 | 22,2 | NABCO | 3720-G | | | | |
| | I SERIES | 01-83→ | 22,2 | NABCO | 3721-G | | | | |
| | I - II SERIES | 01-83→ | 23,8 | NABCO | 3558-G | | | | |
| | II SERIES | 12-90→ | 23,8 | | 3723-G | | | | |
| | II SERIES | 12-90→04-00 | 43 | AKEBONO | 3559-G | 10671 | P-434501 | 2 | 44,8 |
| | CLASSIC | 07-02→ | | | | | P-434501 | 2 | 44,8 |
| | SPORT | 11-97→ | | | | | P-434501 | 2 | 44,8 |
| | I SERIES | 01-83→12-91 | 45 | SUMITOMO | 4762-G | 10814 | P-454601 | 2 | 46 |
| | III - IV SERIES | 04-00→ | | | | | P-454601 | 2 | 46 |
| | IV SERIES | 02-07→ | 45 | SUMITOMO | 6004-G | 10812 | P-453102 | 4 | 31,5 |
| | I SERIES | 01-83→01-87 | 54 | AKEBONO | 3577-G | 11406 | P-544704 | 1 | 47,5 |
| | I SERIES | 01-87→12-91 | 57 | AKEBONO | 4575-G | 10947 | P-574801 | 1 | 48,3 |
| | iO SERIES | 09-99→07-06 | 57 | SUMITOMO | 4969-G | 11417 | P-574602 | 1 | 46 |
| | I SERIES | 01-87→12-91 | 57 | AKEBONO | 6068-G | | | | |
| | II SERIES | 12-95→04-00 | 60 | AKEBONO | 4286-G | 10959 | P-604802 | 1 | 48,9 |
| | II SERIES | 12-90→12-95 | 60 | AKEBONO | 4497-G | 10986 | P-604802 | 1 | 48,9 |
| | iO SERIES | 09-99→07-06 | 10 | SUMITOMO | 30064-G | | | | |
| | I SERIES | 01-83→12-91 | 10 | AKEBONO | 30080-G | | | | |
| | IV SERIES | 02-07→ | 10 | TOKICO | 30136-G | | | | |
| | II SERIES | 12-90→ | 11 | AKEBONO | 30087-G | | | | |
| | III - IV SERIES | 01-99→ | 11 | SUMITOMO | 30147-G | | | | |
| | I SERIES | 01-83→01-85 | 20,6 | | 10234-G | | | | |
| | I SERIES | 01-85→01-87 | 20,6 | | 10276-G | | | | |
| | I SERIES | 01-87→12-91 | 22,2 | | 3727-G | | | | |
| | II SERIES | 12-90→ | 23,8 | | 3728-G | | | | |
| | iO SERIES | 09-99→07-06 | 35 | AKEBONO | 4435-G | 10717 | P-354502 | 1 | 45,8 |
| | I SERIES (HANDBRAKE) | 01-82→01-91 | 38 | AKEBONO | 6119-G | 10946 | P-384103 | 1 | 40,8 |
| | CLASSIC | 07-02→ | 43 | AKEBONO | 4278-G | 10693 | P-434801 | 1 | 48 |
| | II SERIES | 12-90→04-00 | | | | | P-434801 | 1 | 48 |
| | SPORT | 11-97→ | 43 | SUMITOMO | 4951-G | 11727 | P-434503 | 1 | 45 |
| | III - IV SERIES | 04-00→ | 45 | AKEBONO | 4773-G | 10806 | P-444501 | 1 | 45,8 |
| | IV SERIES | 02-07→ | 48 | SUMITOMO | 4468-G | 10655 | P-484803 | 1 | 48,5 |
| | II SERIES | 12-90→04-00 | 8 | AKEBONO | 30005-G | | | | |
| | iO SERIES | 09-99→07-06 | | | | | | | |
| | SPORT | 11-97→ | 9 | AKEBONO | 30010-G | | | | |
| | III - IV SERIES | 04-00→ | | | | | | | |
| | I SERIES | 01-82→12-91 | 13 | AKEBONO | 30027-G | | | | |
| | I - II SERIES | 01-83→ | 15,9 | NABCO | 3170-G | | | | |
| | I - II SERIES | 01-83→ | 19 | | 3575-G | | | | |

NIMBUS

| | | | | | | | | | |
|--|------------------------|-------------|------|--|---------------|--|--|--|--|
| | UA - UB - UC 1.8 - 2.0 | 01-84→01-92 | 22,2 | | 4350-G | | | | |
|--|------------------------|-------------|------|--|---------------|--|--|--|--|



Master Cylinder



Front Caliper



Front Wheel Cylinder



Clutch Master Cylinder



Front Caliper Guides



Pressure Regulating Valve



Rear Caliper



Rear Wheel Cylinder



Clutch Slave Cylinder



Rear Caliper Guides



∅
(mm.)

VERSION



mitsubishi

10 of 14

OUTLANDER

| | | | | | | | | | |
|--|-----------|--------|----|---------|----------------|-------|----------|---|------|
| | ALL TYPES | 02-03→ | 43 | AKEBONO | 3559-G | 10671 | P-434501 | 2 | 44,8 |
| | ALL TYPES | 06-07→ | 57 | AKEBONO | 6317-G | 11438 | P-574802 | 1 | 48 |
| | ALL TYPES | 02-03→ | 11 | AKEBONO | 30087-G | | | | |
| | ALL TYPES | 11-06→ | 35 | AKEBONO | 6230-G | 11093 | P-354502 | 1 | 45,8 |
| | ALL TYPES | 02-03→ | 38 | AKEBONO | 4917-G | 11129 | P-384602 | 1 | 46 |
| | ALL TYPES | 02-03→ | 10 | AKEBONO | 30074-G | | | | |



Master Cylinder



Front Caliper



Front Wheel Cylinder



Clutch Master Cylinder



Front Caliper Guides



Pressure Regulating Valve



Rear Caliper



Rear Wheel Cylinder



Clutch Slave Cylinder



Rear Caliper Guides



∅
(mm.)

VERSION



MITSUBISHI

11 of 14

PAJERO

| | | | | | | | | | |
|--|-----------------------|-------------|------|----------|----------------|-------|----------|---|------|
| | I SERIES | 01-83→12-91 | 22,2 | NABCO | 3720-G | | | | |
| | I SERIES | 01-83→ | 22,2 | NABCO | 3721-G | | | | |
| | I - II SERIES | 01-83→ | 23,8 | NABCO | 3558-G | | | | |
| | II SERIES | 12-90→ | 23,8 | | 3723-G | | | | |
| | CLASSIC | 07-02→ | 43 | AKEBONO | 3559-G | 10671 | P-434501 | 2 | 44,8 |
| | II SERIES | 12-90→04-00 | | | | | P-434501 | 2 | 44,8 |
| | SPORT | 11-97→ | | | | | P-434501 | 2 | 44,8 |
| | III - IV SERIES | 04-00→ | 45 | SUMITOMO | 4762-G | 10814 | P-454601 | 2 | 46 |
| | I SERIES | 01-83→12-91 | | | | | P-454601 | 2 | 46 |
| | IV SERIES | 02-07→ | 45 | SUMITOMO | 6004-G | 10812 | P-453102 | 4 | 31,5 |
| | I SERIES | 01-83→12-91 | 54 | AKEBONO | 3577-G | 11406 | P-544704 | 1 | 47,5 |
| | I SERIES | 01-87→12-91 | 57 | AKEBONO | 4575-G | 10947 | P-574801 | 1 | 48,3 |
| | MINI SERIES | 09-99→07-06 | 57 | SUMITOMO | 4969-G | 11417 | P-574602 | 1 | 46 |
| | I SERIES | 01-87→12-91 | 57 | AKEBONO | 6068-G | | | | |
| | II SERIES | 12-95→04-00 | 60 | AKEBONO | 4286-G | 10959 | P-604802 | 1 | 48,9 |
| | II SERIES | 12-90→12-95 | 60 | AKEBONO | 4497-G | 10986 | P-604802 | 1 | 48,9 |
| | MINI SERIES | 09-99→07-06 | 10 | SUMITOMO | 30064-G | | | | |
| | I SERIES | 01-83→12-91 | 10 | AKEBONO | 30080-G | | | | |
| | IV SERIES | 02-07→ | 10 | TOKICO | 30136-G | | | | |
| | II SERIES | 12-90→ | 11 | AKEBONO | 30087-G | | | | |
| | ALL TYPES | 11-98→ | | | | | | | |
| | I SERIES | 01-83→01-85 | 20,6 | | 10234-G | | | | |
| | I SERIES | 01-85→01-87 | 20,6 | | 10276-G | | | | |
| | I SERIES | 01-87→12-91 | 22,2 | | 3727-G | | | | |
| | II SERIES | 12-90→ | 23,8 | | 3728-G | | | | |
| | MINI SERIES | 09-99→07-06 | 35 | AKEBONO | 4435-G | 10717 | P-354502 | 1 | 45,8 |
| | SPORT USA (HANDBRAKE) | 11-98→ | 38 | AKEBONO | 6119-G | 10946 | P-384103 | 1 | 40,8 |
| | I SERIES (HANDBRAKE) | 01-82→01-91 | | | | | P-384103 | 1 | 40,8 |
| | CLASSIC | 07-02→ | 43 | AKEBONO | 4278-G | 10693 | P-434801 | 1 | 48 |
| | II SERIES | 12-90→04-00 | | | | | P-434801 | 1 | 48 |
| | SPORT | 11-97→ | 43 | SUMITOMO | 4951-G | 11727 | P-434503 | 1 | 45 |
| | III - IV SERIES | 04-00→ | 45 | AKEBONO | 4773-G | 10806 | P-444501 | 1 | 45,8 |
| | IV SERIES | 02-07→ | 48 | SUMITOMO | 4468-G | 10655 | P-484803 | 1 | 48,5 |
| | MINI SERIES | 09-99→07-06 | 8 | AKEBONO | 30005-G | | | | |
| | II SERIES | 12-90→04-00 | | | | | | | |
| | SPORT | 11-97→ | 9 | AKEBONO | 30010-G | | | | |
| | III - IV SERIES | 04-00→ | | | | | | | |
| | I SERIES | 01-82→12-91 | 13 | AKEBONO | 30027-G | | | | |
| | I - II SERIES | 01-83→ | 15,9 | NABCO | 3170-G | | | | |
| | I - II SERIES | 01-83→ | 19 | | 3575-G | | | | |



Master Cylinder



Front Caliper



Front Wheel Cylinder



Clutch Master Cylinder



Front Caliper Guides



Pressure Regulating Valve



Rear Caliper



Rear Wheel Cylinder



Clutch Slave Cylinder



Rear Caliper Guides

Ø
(mm.)

VERSION

**MITSUBISHI**

12 of 14

ROSA

| | | | | | | | | | |
|--|-------------|-------------|------|---------|---------------|--|--|--|--|
| | ALL TYPES | 01-86→ | 28,6 | AKEBONO | 4551-G | | | | |
| | 3600 - 3900 | 00-95→00-97 | 30 | | 6135-G | | | | |
| | ALL TYPES | 01-86→ | 31,8 | | 4225-G | | | | |
| | ALL TYPES | 01-86→ | 28,6 | | 4227-G | | | | |
| | 3.3D | 01-86→ | 15,9 | | 3724-G | | | | |
| | 3.9D | 01-91→ | 22,2 | | 4114-G | | | | |
| | 3.3D | 01-86→01-87 | 15,9 | | 3890-G | | | | |
| | 3.3D | 01-87→ | 15,9 | | 4231-G | | | | |
| | 3.9D | 01-91→01-96 | 22,2 | | 3891-G | | | | |

SANTAMO

| | | | | | | | | | |
|--|------------------------------|--------|----|-------|---------------|-------|----------|---|------|
| | ALL TYPES | 05-99→ | 43 | MANDO | 3604-G | 10785 | P-434901 | 2 | 48,9 |
| | ALL TYPES (VENTILATED DISCS) | 05-99→ | 34 | MANDO | 4693-G | 10709 | P-344602 | 1 | 46 |
| | ALL TYPES (HARD BOOT) | 05-99→ | 38 | MANDO | 4358-G | 10735 | P-384903 | 1 | 49,4 |

SAPPORO

| | | | | | | | | | |
|--|----------------|-------------|------|----------|----------------|-------|----------|---|------|
| | I SERIES | 04-78→07-80 | 19 | | 4397-G | | | | |
| | III SERIES | 06-87→08-90 | 23,8 | NABCO | 3558-G | | | | |
| | I SERIES | 04-78→07-80 | 51 | AKEBONO | 3834-G | | | | |
| | II SERIES | 08-80→09-84 | 51 | SUMITOMO | 4474-G | 10854 | P-514601 | 1 | 46 |
| | II SERIES | 08-80→09-84 | 54 | AKEBONO | 3577-G | | | | |
| | II SERIES | 08-80→09-84 | 57 | SUMITOMO | 4490-G | 11416 | P-574602 | 1 | 46 |
| | III SERIES | 06-87→08-90 | 60 | AKEBONO | 4497-G | 10985 | P-604601 | 1 | 46,6 |
| | III SERIES 2.4 | 06-87→07-90 | 17,5 | | 3804-G | | | | |
| | II SERIES | 08-80→09-84 | 20,6 | | 10234-G | | | | |
| | III SERIES | 06-87→08-90 | 35 | AKEBONO | 3576-G | 10715 | P-354502 | 1 | 45,8 |
| | I SERIES | 04-78→07-80 | 35 | AKEBONO | 4698-G | | | | |
| | II SERIES | 08-80→09-84 | 38 | | 4441-G | | | | |
| | II SERIES | 08-80→09-84 | 41 | AKEBONO | 4496-G | 11699 | P-414101 | 1 | 41 |
| | III SERIES | 06-87→08-90 | 13 | AKEBONO | 30027-G | | | | |
| | III SERIES 2.4 | 06-87→08-90 | 19 | | 3575-G | | | | |

SHOGUN

| | | | | | | | | | |
|--|--------------------|--------|----|----------|---------------|-------|----------|---|----|
| | 2.0 DI-D - 3.5 GDI | 09-99→ | 45 | SUMITOMO | 4762-G | 10814 | P-454601 | 2 | 46 |
| | SPORT | 09-03→ | 43 | SUMITOMO | 4951-G | 11727 | P-434503 | 1 | 45 |

SIGMA

| | | | | | | | | | |
|--|--------------------|-------------|----|---------|----------------|-------|----------|---|------|
| | ALL TYPES | 12-90→07-96 | 43 | AKEBONO | 3559-G | 10671 | P-434501 | 2 | 44,8 |
| | ALL TYPES | 12-90→07-96 | 11 | AKEBONO | 30087-G | | | | |
| | 3.0 V6 (SOFT BOOT) | 12-90→07-96 | 35 | AKEBONO | 3576-G | 10715 | P-354502 | 1 | 45,8 |
| | ALL TYPES | 12-90→07-96 | 8 | AKEBONO | 30005-G | | | | |
| | ALL TYPES | 12-90→07-96 | 13 | AKEBONO | 30027-G | | | | |

SPACE GEAR

| | | | | | | | | | |
|--|-----------|--------|----|---------|---------------|-------|----------|---|------|
| | ALL TYPES | 01-95→ | 43 | AKEBONO | 3559-G | 10671 | P-434501 | 2 | 44,8 |
| | ALL TYPES | 01-95→ | 60 | AKEBONO | 4286-G | 10959 | P-604802 | 1 | 48,9 |
| | ALL TYPES | 01-95→ | 38 | AKEBONO | 4307-G | 11128 | P-384602 | 1 | 46 |



Master Cylinder



Front Caliper



Front Wheel Cylinder



Clutch Master Cylinder



Front Caliper Guides



Pressure Regulating Valve



Rear Caliper



Rear Wheel Cylinder



Clutch Slave Cylinder



Rear Caliper Guides

Ø
(mm.)

VERSION

**MITSUBISHI****13 of 14****SPACE RUNNER**

| | | | | | | | | | |
|--|------------------|-------------|------|---------|----------------|-------|----------|---|------|
| | II SERIES | 05-99→04-00 | 43 | AKEBONO | 3559-G | 10671 | P-434501 | 2 | 44,8 |
| | I SERIES | 06-91→05-99 | 54 | AKEBONO | 4501-G | 10893 | P-544701 | 1 | 47,5 |
| | II SERIES | 05-00→08-02 | 60 | AKEBONO | 4760-G | 10967 | P-604804 | 1 | 48 |
| | II SERIES | 05-99→08-02 | 11 | AKEBONO | 30087-G | | | | |
| | I SERIES | 06-91→05-99 | 35 | AKEBONO | 4435-G | 10717 | P-354502 | 1 | 45,8 |
| | I SERIES | 06-91→05-99 | 8 | AKEBONO | 30005-G | | | | |
| | I SERIES 2.0 16V | 06-97→05-99 | 13 | AKEBONO | 30027-G | | | | |
| | II SERIES | 05-99→ | 15,9 | NABCO | 6116-G | | | | |

SPACE STAR

| | | | | | | | | | |
|--|-----------------------------|--------|----|----------------|----------------|-------|----------|---|------|
| | ALL TYPES | 06-98→ | 24 | BEDNIX - BOSCH | 6203-G | | | | |
| | ALL TYPES | 06-98→ | 54 | LUCAS | 4481-G | 10564 | P-544901 | 1 | 49,8 |
| | ALL TYPES (SOLID DISC) | 06-98→ | 10 | LUCAS | 30017-G | | | | |
| | ALL TYPES (VENTILATED DISC) | 06-98→ | 10 | LUCAS | 30078-G | | | | |
| | ALL TYPES | 06-98→ | 38 | LUCAS | 4442-G | 10520 | P-385101 | 1 | 51 |
| | ALL TYPES | 06-98→ | 8 | LUCAS | 30004-G | 11651 | K-385101 | 1 | 51 |
| | ALL TYPES | 06-98→ | 19 | FAG | 4907-G | | | | |

SPACE WAGON

| | | | | | | | | | |
|--|-----------------|-------------|------|---------|----------------|-------|----------|---|------|
| | I SERIES | 01-84→01-92 | 22,2 | NABCO | 3721-G | | | | |
| | I - II SERIES | 01-84→11-98 | 23,8 | NABCO | 3558-G | | | | |
| | III SERIES | 11-97→12-04 | 43 | AKEBONO | 3559-G | 10671 | P-434501 | 2 | 44,8 |
| | I SERIES | 01-84→01-92 | 54 | AKEBONO | 3731-G | 10905 | P-544501 | 1 | 45 |
| | II - III SERIES | 05-91→12-04 | 54 | AKEBONO | 4501-G | 10893 | P-544701 | 1 | 47,5 |
| | II - III SERIES | 05-91→12-04 | 60 | AKEBONO | 4286-G | 10959 | P-604802 | 1 | 48,9 |
| | III SERIES | 11-97→12-04 | 11 | AKEBONO | 30087-G | | | | |
| | ALL TYPES | | 17,5 | | 3804-G | | | | |
| | ALL TYPES | | 19 | | 10235-G | | | | |
| | ALL TYPES | | 20,6 | | 4189-G | | | | |
| | II SERIES | 05-91→11-98 | 35 | AKEBONO | 4435-G | 10717 | P-354502 | 1 | 45,8 |
| | III SERIES | 11-97→12-04 | 38 | AKEBONO | 4307-G | 11128 | P-384602 | 1 | 46 |
| | II SERIES | 10-91→11-98 | 8 | AKEBONO | 30005-G | | | | |
| | I SERIES | 01-84→01-92 | 13 | AKEBONO | 30027-G | | | | |
| | ALL TYPES | | 15,9 | NABCO | 3170-G | | | | |
| | ALL TYPES | | 19 | | 3575-G | | | | |
| | ALL TYPES | | 20,6 | | 3529-G | | | | |

STARION

| | | | | | | | | | |
|--|---------------|--------|----|----------|---------------|-------|----------|---|----|
| | 2.000 - 2.600 | 01-82→ | 57 | SUMITOMO | 4490-G | 11416 | P-574602 | 1 | 46 |
| | 2.000 - 2.600 | 01-82→ | 41 | AKEBONO | 4496-G | 11699 | P-414101 | 1 | 41 |



Master Cylinder



Front Caliper



Front Wheel Cylinder



Clutch Master Cylinder



Front Caliper Guides



Pressure Regulating Valve



Rear Caliper



Rear Wheel Cylinder



Clutch Slave Cylinder



Rear Caliper Guides



∅
(mm.)

VERSION



MITSUBISHI

14 of 14

TREDIA - CORDIA

| | | | | | | | | | | |
|--|-----------------------|-------------|------|----------------|--|--|--|-------|----------|----------------|
| | ALL TYPES | 01-83→01-87 | 20,6 | | | | | | | 3718-G |
| | EXCEPT TURBO | 01-83→01-87 | 22,2 | NABCO | | | | | | 3721-G |
| | CORDIA AA - AB - AC | 01-83→ | 22,2 | | | | | | | 4350-G |
| | TURBO | 01-83→01-87 | 23,8 | NABCO | | | | | | 3558-G |
| | ALL TYPES | 09-82→03-88 | 51 | AKEBONO | | | | | | 6110-G |
| | ALL TYPES | 09-82→03-88 | 54 | AKEBONO | | | | 10905 | P-544501 | 1 45 |
| | 1.8 2WD | 08-84→12-86 | 17,5 | | | | | | | 3804-G |
| | CORDIA AA (HATCHBACK) | 01-83→06-84 | 17,5 | | | | | | | 6343-G |
| | ALL TYPES | | 19 | | | | | | | 10235-G |
| | 4WD | | 19 | NABCO - TOKICO | | | | | | 3734-G |
| | ALL TYPES | 09-82→03-88 | 13 | AKEBONO | | | | | | 30027-G |
| | 1.8TURBO - 4WD - 2.0 | | 15,9 | NABCO | | | | | | 3170-G |
| | ALL TYPES | | 19 | | | | | | | 3575-G |

VALIANT

| | | | | | | | | | | |
|--|-----------|-------------|----|--|--|--|--|--|--|---------------|
| | ALL TYPES | 03-77→12-80 | 63 | | | | | | | 6372-G |
|--|-----------|-------------|----|--|--|--|--|--|--|---------------|



Master Cylinder



Front Caliper



Front Wheel Cylinder



Clutch Master Cylinder



Front Caliper Guides



Pressure Regulating Valve



Rear Caliper



Rear Wheel Cylinder



Clutch Slave Cylinder



Rear Caliper Guides



∅
(mm.)

VERSION



NISSAN - DATSUN

1 of 23

140 2TON TRUCK

| | | | | | |
|--|-----------------------------------|-------------|------|----------|---------|
| | ALL TYPES (DOBLE CIRCUIT) (SERVO) | 01-73→01-78 | 22,2 | TOKICO | 3758-G |
| | ALL TYPES (DOBLE CIRCUIT) (SERVO) | 01-73→01-78 | 22,2 | NABCO | 3933-G |
| | ALL TYPES | 01-78→ | 25,4 | NABCO | 3260-G |
| | ALL TYPES | 01-78→ | 28,6 | NABCO | 3788-G |
| | MS5# - RS-M7# - RSM8# (2 PISTONS) | 01-67→01-69 | 54 | SUMITOMO | 3041-G |
| | ALL TYPES | 01-78→ | 27 | NABCO | 3789-G |
| | ALL TYPES | 01-84→ | 15,9 | NABCO | 3155-G |
| | ALL TYPES | 01-70→01-83 | 15,9 | | 3924-G |
| | 2.4 | 01-84→ | 17,5 | NABCO | 3380-G |
| | ALL TYPES | 01-70→ | 19 | NABCO | 10227-G |

160B - 180B - 200B

| | | | | | |
|--|-------------------------|-------------|------|--------|--------|
| | COMERCIAL B | | 17,5 | NABCO | 4408-G |
| | 160B - 180B (LHD) | | 19 | NABCO | 4409-G |
| | 200B | 01-77→01-81 | 20,6 | TOKICO | 4354-G |
| | B110-210-211 - B SERIES | | 20,6 | | 4869-G |

200SX

| | | | | | | | | | |
|--|-----------------|-------------|------|----------|---------|-------|----------|---|------|
| | S13 (-ABS) | 07-88→12-95 | 22,2 | NABCO | 3531-G | | | | |
| | (S14) 2.0TURBO | 10-93→12-99 | 40 | SUMITOMO | 4450-G | 10759 | P-402902 | 4 | 29,3 |
| | ALL TYPES (USA) | 11-76→00-79 | 51 | TOKICO | 6294-G | | | | |
| | S110 (USA) | 01-79→01-83 | 54 | | 3041-G | | | | |
| | (S13) 1.8 | 07-88→12-95 | 57 | NISSAN | 4305-G | 10943 | P-575103 | 1 | 51,2 |
| | (S13) 1.8TURBO | 07-88→12-95 | 10 | NISSAN | 30012-G | | | | |
| | S13 | 07-88→12-95 | 35 | AKEBONO | 4622-G | 11574 | P-354601 | 1 | 46 |
| | S14 (USA) | 07-81→08-88 | 38 | TOKICO | 3683-G | | | | |
| | ALL TYPES (USA) | 06-79→06-81 | 40 | TOKICO | 6109-G | | | | |
| | S13 | 07-88→12-95 | 15,9 | NABCO | 3155-G | | | | |
| | S14 | 10-93→12-99 | 15,9 | NABCO | 3605-G | | | | |
| | S13 | 07-88→12-95 | 19 | NABCO | 3431-G | | | | |
| | S13 - S14 | 07-88→12-99 | 19 | NABCO | 4378-G | | | | |

280ZX

| | | | | | | | | | |
|--|-----------|-------------|----|--------|--------|-------|----------|---|------|
| | ALL TYPES | 09-78→02-84 | 43 | TOKICO | 4459-G | 10528 | P-424601 | 1 | 46,8 |
| | | | | | | 11746 | K-424601 | 1 | 46,8 |
| | ALL TYPES | 09-78→02-84 | 43 | NISSAN | 6261-G | | | | |



Master Cylinder



Front Caliper



Front Wheel Cylinder



Clutch Master Cylinder



Front Caliper Guides



Pressure Regulating Valve



Rear Caliper



Rear Wheel Cylinder



Clutch Slave Cylinder



Rear Caliper Guides

Ø
(mm.)

VERSION



NISSAN - DATSUN

2 of 23

300ZX

| | | | | | | | | | |
|--|----------------------|-------------|------|----------------|----------------|-------|----------|---|------|
| | (Z31) 3.0 | 01-84→12-88 | 23,8 | NABCO | 3259-G | | | | |
| | (Z31) 3.0 TURBO -ABS | 01-84→10-90 | 25,4 | NABCO - TOKICO | 3260-G | | | | |
| | (Z32) 3.0 TWIN ABS | 09-89→12-97 | 27 | NABCO - TOKICO | 3616-G | | | | |
| | (Z32) | 09-89→12-97 | 40 | SUMITOMO | 4450-G | 10759 | P-402902 | 4 | 29,3 |
| | (Z31) | 01-84→10-90 | 43 | NISSAN | 4511-G | 10783 | P-434901 | 2 | 48,9 |
| | (Z31) | 01-84→10-90 | 61 | SUMITOMO | 3168-G | 10977 | P-605001 | 1 | 50 |
| | (Z32) | 09-89→12-97 | 38 | AKEBONO | 4447-G | 11628 | P-383202 | 2 | 32,5 |
| | (Z31) | 01-84→10-90 | 43 | TOKICO | 4459-G | 10528 | P-424601 | 1 | 46,8 |
| | | | | | | 11746 | K-424601 | 1 | 46,8 |
| | (Z31) 3.0 | 01-84→12-88 | 15,9 | NABCO | 3155-G | | | | |
| | (Z31) 3.0 TURBO | 01-84→10-90 | 15,9 | NABCO | 3621-G | | | | |
| | (Z31) 3.0 TURBO | 01-84→10-90 | 17,5 | NABCO | 3380-G | | | | |
| | (Z31) 3.0 | 01-84→12-88 | 19 | NABCO | 10227-G | | | | |
| | (Z32) | 09-89→12-97 | 19 | NABCO | 3431-G | | | | |
| | (Z32) | 09-89→12-97 | 19 | NABCO | 4378-G | | | | |

350Z

| | | | | | | | | | |
|--|-----------|--------|----|---------|---------------|-------|----------|---|----|
| | ALL TYPES | 10-02→ | 38 | BREMBO | 6237-G | 11636 | P-443202 | 2 | 32 |
| | | | | | | | P-383203 | 2 | 32 |
| | ALL TYPES | 10-02→ | 40 | BREMBO | 4882-G | 11669 | P-402904 | 2 | 29 |
| | ALL TYPES | 10-02→ | 43 | AKEBONO | 6075-G | | | | |

370Z

| | | | | | | | | | |
|--|-------------------------------|--------|----|--------|---------------|--|--|--|--|
| | ALL TYPES (4 PISTONS 42-46MM) | 06-09→ | 43 | SEIKEN | 6267-G | | | | |
| | ALL TYPES (2 PISTONS) | 06-09→ | 43 | NISSAN | 6266-G | | | | |

A10

| | | | | | | | | | |
|--|------------------------|-------------|------|---------|----------------|-------|----------|---|----|
| | ALL TYPES (FRONT DRUM) | 01-78→01-81 | 19 | TOKICO | 3928-G | | | | |
| | ALL TYPES (FRONT DRUM) | 01-78→01-81 | 19 | NABCO | 3936-G | | | | |
| | ALL TYPES (FRONT DISC) | 01-78→01-81 | 20,6 | NABCO | 3937-G | | | | |
| | ALL TYPES | 01-78→01-81 | 22,2 | | 2584-G | | | | |
| | ALL TYPES | 01-78→01-81 | 51 | AKEBONO | 3847-G | 10851 | P-513901 | 1 | 39 |
| | ALL TYPES | 01-78→01-81 | 20,6 | NABCO | 3185-G | | | | |
| | ALL TYPES | 01-78→01-81 | 20,6 | TOKICO | 3379-G | | | | |
| | ALL TYPES | 01-78→01-81 | 15,9 | NABCO | 3155-G | | | | |
| | ALL TYPES | 01-78→01-81 | 17,5 | NABCO | 3380-G | | | | |
| | ALL TYPES (RHD) | 01-78→01-81 | 19 | NABCO | 10227-G | | | | |



Master Cylinder



Front Caliper



Front Wheel Cylinder



Clutch Master Cylinder



Front Caliper Guides



Pressure Regulating Valve



Rear Caliper



Rear Wheel Cylinder



Clutch Slave Cylinder



Rear Caliper Guides

Ø
(mm.)

VERSION

**NISSAN - DATSUN****3 of 23****ALMERA**

| | | | | | | | | | |
|--|------------------------------|-------------|------|----------------|----------------|-------|----------|---|------|
| | I SERIES (N15) | 07-95→07-00 | 22,2 | NABCO - TOKICO | 3593-G | | | | |
| | I SERIES (N15) | 07-95→07-00 | 23,8 | NABCO | 3629-G | | | | |
| | I SERIES (N15) | 07-95→07-00 | 54 | NISSAN | 3565-G | 10628 | P-544904 | 1 | 49 |
| | I SERIES (N15) 2.0 GTI | 07-95→07-00 | 54 | AKEBONO | 3595-G | 11382 | P-544201 | 1 | 42,5 |
| | I SERIES (N15) (ABS) | 07-95→07-00 | 54 | TOKICO | 3597-G | 10921 | P-544904 | 1 | 49 |
| | II SERIES (B10RS) | 01-00→08-11 | 54 | | 6070-G | 11827 | P-544905 | 1 | 49 |
| | II SERIES (N16) (BA4) | 01-00→08-11 | 57 | LUCAS | 3839-G | 10585 | P-575001 | 1 | 49,8 |
| | TINO (V10) | 08-00→03-06 | 57 | LUCAS | 4754-G | 10586 | P-575001 | 1 | 49,8 |
| | I SERIES (N15) | 07-95→07-00 | 8 | NISSAN | 30047-G | | | | |
| | II SERIES - TINO (V10) | 01-00→08-11 | 10 | LUCAS | 30078-G | | | | |
| | TINO (V10) | 08-00→03-06 | 10 | TRW | 30143-G | | | | |
| | I SERIES (N15) | 07-95→07-00 | 15,9 | TOKICO | 3599-G | | | | |
| | I SERIES (N15) | 07-95→07-00 | 15,9 | NABCO | 3600-G | | | | |
| | II SERIES (N16) | 01-00→08-11 | 17,5 | | 3810-G | | | | |
| | I SERIES (N15) (ABS) | 07-95→07-00 | 30 | NISSAN | 3590-G | 10682 | P-304601 | 1 | 46,7 |
| | | | | | | 11515 | K-304601 | 1 | 46,7 |
| | I - II SERIES (N15 - N16) | 07-95→08-11 | 34 | LUCAS | 3539-G | 11051 | P-344801 | 1 | 48 |
| | | | | | | 11560 | K-344801 | 1 | 48 |
| | II SERIES (N16) | 01-00→08-11 | 34 | TRW | 6007-G | 10677 | P-334601 | 1 | 46,8 |
| | | | | | | 11563 | K-334601 | 1 | 46,8 |
| | II SERIES (N16) | 01-00→08-11 | 34 | TRW | 6008-G | | | | |
| | I SERIES (N15) | 07-95→07-00 | 34 | LUCAS | 6017-G | | | | |
| | II SERIES - TINO (V10) | 01-00→08-11 | 38 | LUCAS | 3540-G | 10522 | P-385101 | 1 | 51 |
| | | | | | | 11653 | K-385101 | 1 | 51 |
| | II SERIES - TINO (V10) | 01-00→08-11 | 38 | LUCAS | 3683-G | 10605 | P-384601 | 1 | 46,8 |
| | II SERIES - TINO (V10) (ABS) | | | | | 11648 | K-384601 | 1 | 46,8 |
| | I SERIES (N15) | 07-95→07-00 | 10 | NISSAN | 30012-G | | | | |
| | II SERIES - TINO (V10) | 01-00→08-11 | 10 | LUCAS | 30013-G | | | | |
| | I SERIES (N15) | 07-95→07-00 | 15,9 | NABCO | 4125-G | | | | |
| | II SERIES (N16) | 01-00→08-11 | 15,9 | NABCO | 4942-G | | | | |
| | I SERIES (N15) 2.0D | 07-95→07-00 | 17,5 | NABCO | 3607-G | | | | |

ARMADA

| | | | | | | | | | |
|--|----------------|-------------|----|--------|---------------|-------|----------|---|------|
| | ALL TYPES TA60 | 08-03→03-06 | 51 | NISSAN | 6366-G | 11819 | P-515201 | 2 | 52,5 |
| | ALL TYPES TA60 | 08-06→ | 51 | NISSAN | 6368-G | 11820 | P-515501 | 2 | 55 |



Master Cylinder



Front Caliper



Front Wheel Cylinder



Clutch Master Cylinder



Front Caliper Guides



Pressure Regulating Valve



Rear Caliper



Rear Wheel Cylinder



Clutch Slave Cylinder



Rear Caliper Guides

Ø
(mm.)

VERSION



NISSAN - DATSUN

4 of 23

BLUEBIRD

| | | | | | | | | | |
|--|-------------------------------|-------------|------|---------------------|----------------|-------|----------|---|------|
| | (U11 - T12) | 11-83→12-90 | 20,6 | NABCO | 3528-G | | | | |
| | (B610) | 04-72→01-80 | 20,6 | TOKICO | 6194-G | | | | |
| | (U13 - U14) | 11-91→12-97 | 22,2 | NABCO | 3531-G | | | | |
| | (910) | 01-80→06-86 | 22,2 | TOKICO | 3758-G | | | | |
| | (U12) SPECIAL | 01-87→12-92 | 23,8 | NABCO | 3558-G | | | | |
| | (U12) (RHD) | 01-87→12-92 | 23,8 | NABCO | 3631-G | | | | |
| | (U11) | 11-82→05-90 | 23,8 | NABCO | 3922-G | | | | |
| | (910) | 01-80→06-86 | 23,8 | NABCO | 3912-G | | | | |
| | (510 - 610) | 01-67→01-80 | 51 | AKEBONO | 3847-G | 10851 | P-513901 | 1 | 39 |
| | (610) | 04-72→01-80 | 51 | NISSAN | 3867-G | | | | |
| | (B610) | 04-72→01-80 | 51 | TOKICO | 6294-G | | | | |
| | (B610 - 810) (2 PISTONS) | 04-72→01-80 | 54 | | 3041-G | | | | |
| | (910) | 01-80→12-83 | 54 | LUCAS - AP LOCKHEED | 3846-G | | | | |
| | (910) 1.8 - 2.0D | 01-80→12-83 | 54 | NISSAN | 4262-G | | | | |
| | (910) 1.8 - 2.0D | 01-80→12-83 | 54 | NISSAN | 6112-G | 11380 | P-544201 | 1 | 42,5 |
| | (U12 - U13) | 12-85→12-97 | 57 | LUCAS | 3839-G | | | | |
| | (U11 - T12 - T72) | 11-83→12-90 | 61 | TOKICO | 3168-G | 10977 | P-605001 | 1 | 50 |
| | (G11) | 09-05→ | 8 | NISSAN | 30137-G | | | | |
| | (U11) | 11-83→12-90 | 12 | TOKICO | 30088-G | | | | |
| | (910 - U11 - U12 - T72) | 01-80→12-90 | 15,9 | NABCO - TOKICO | 10217-G | | | | |
| | (910 - U11 - U12 - T72) | 01-80→12-90 | 17,5 | NABCO - TOKICO | 3342-G | | | | |
| | (910 - U11 - U12 - T72) | 01-80→12-90 | 19 | NABCO - TOKICO | 3734-G | | | | |
| | (910 - U11 - U12 - T72) | 01-80→12-90 | 20,6 | NABCO | 3185-G | | | | |
| | (910 - U11 - U12 - T72) | 01-80→12-90 | 20,6 | TOKICO | 3379-G | | | | |
| | (910 - U11 - U12 - T72) | 01-80→12-90 | 22,2 | TOKICO | 3169-G | | | | |
| | (910 - U11 - U12 - T72) | 01-80→12-90 | 22,2 | NABCO | 4218-G | | | | |
| | (U11 - U12 - T72) | 11-83→12-90 | 38 | TOKICO | 3683-G | 10605 | P-384601 | 1 | 46,8 |
| | (U11 - U12 - T72) (ABS) | | | | | 11648 | K-384601 | 1 | 46,8 |
| | (U11) 1.8TURBO | 01-84→12-90 | 10 | NISSAN | 30012-G | | | | |
| | (910) 1.6 - 1.8 - 2.0D - 2.0i | 01-80→12-83 | 10 | LUCAS | 30013-G | | | | |
| | (910 - U11 - U12 - T72) | 01-80→12-90 | 15,9 | NABCO | 3155-G | | | | |
| | (910 - U11 - U12 - T72) | 11-83→12-90 | 15,9 | TOKICO | 3923-G | | | | |
| | (U11 - U12 - T72) | 04-84→12-90 | 19 | NABCO | 10227-G | | | | |
| | (B610 - 810 - 910) | 01-76→09-83 | 19 | | 4376-G | | | | |
| | (U13) | 01-94→01-95 | 19 | NABCO | 4378-G | | | | |



Master Cylinder



Front Caliper



Front Wheel Cylinder



Clutch Master Cylinder



Front Caliper Guides



Pressure Regulating Valve



Rear Caliper



Rear Wheel Cylinder



Clutch Slave Cylinder



Rear Caliper Guides



∅
(mm.)

VERSION



NISSAN - DATSUN

5 of 23

C120

| | | | | | |
|--|-----------|-------------|------|--------|----------------|
| | ALL TYPES | 01-79→01-83 | 22,2 | NABCO | 3933-G |
| | ALL TYPES | →01-83 | 23,8 | | 3912-G |
| | ALL TYPES | | 19 | | 3734-G |
| | ALL TYPES | | 20,6 | NABCO | 3185-G |
| | ALL TYPES | | 20,6 | TOKICO | 3379-G |
| | 2.0 (RHD) | | 22,2 | TOKICO | 3169-G |
| | 2.0 (RHD) | | 22,2 | NABCO | 4218-G |
| | ALL TYPES | | 23,8 | | 4539-G |
| | ALL TYPES | 01-79→01-87 | 15,9 | NABCO | 3170-G |
| | ALL TYPES | 01-79→01-87 | 17,5 | NABCO | 3380-G |
| | ALL TYPES | 01-79→01-87 | 19 | NABCO | 10227-G |



Master Cylinder



Front Caliper



Front Wheel Cylinder



Clutch Master Cylinder



Front Caliper Guides



Pressure Regulating Valve



Rear Caliper



Rear Wheel Cylinder



Clutch Slave Cylinder



Rear Caliper Guides



∅
(mm.)

VERSION



NISSAN - DATSUN

6 of 23

CABSTAR - ATLAS

| | | | | | | | | | |
|--|--------------------------------|-------------|------|----------------|----------------|-------|------------|---|------|
| | (F22) | | 23,8 | | 3761-G | | | | |
| | (F22) | | 25,4 | | 3762-G | | | | |
| | E SERIES (TL0) | 10-98→10-06 | 27 | NABCO - TOKICO | 3616-G | | | | |
| | (F22 - H40) | | 28,6 | NABCO | 3788-G | | | | |
| | E SERIES (TL0) | 10-98→05-01 | 48 | BEDNIX - BOSCH | 3129-G | 10551 | P-485002 | 2 | 50,5 |
| | E SERIES (TL0) | 05-01→09-06 | 48 | BOSCH | 4718-G | 10550 | P-485001 | 2 | 50 |
| | ALL TYPES EXCEPT F24M 45 | 10-06→ | 48 | BREMBO | 6052-G | 11000 | P-485901 | 2 | 59,5 |
| | E SERIES (TL0) | 05-01→09-06 | 52 | BEDNIX - BOSCH | 3058-G | 10876 | P-525001 | 2 | 50,2 |
| | (F24M) 45 | 10-06→ | 52 | BREMBO | 4947-G | 11362 | P-526001 | 2 | 60,5 |
| | (F22) 1TON | 12-81→09-92 | 61 | | 3168-G | 10977 | P-605001 | 1 | 50 |
| | (F22) 1,5TON - (F23) ALL TYPES | 12-81→ | 68 | ATE - LUCAS | 3153-G | 10597 | P-684901 | 1 | 49,5 |
| | (F22 - F23) ALL TYPES | 01-82→09-11 | 14 | NISSAN | 30166-G | | | | |
| | ALL TYPES | 10-06→ | 18 | BREMBO | 30032-G | | | | |
| | CABSTAR | 10-06→ | 18 | BREMBO | 30035-G | | | | |
| | ALL TYPES | 01-87→ | 15,9 | NABCO - TOKICO | 3792-G | | | | |
| | ALL TYPES | 01-82→01-87 | 15,9 | NABCO - TOKICO | 3911-G | | | | |
| | ALL TYPES | 01-85→01-88 | 17,5 | NABCO | 3783-G | | | | |
| | ALL TYPES | 01-82→01-84 | 17,5 | NABCO - TOKICO | 3793-G | | | | |
| | ALL TYPES | 12-81→09-92 | 19 | NABCO | 3913-G | | | | |
| | (H40) | | 23,8 | | 3920-G | | | | |
| | (H40) | | 27 | | 3789-G | | | | |
| | ALL TYPES | 09-06→ | 44 | BREMBO | 4920-G | 10700 | P-446101 | 2 | 61 |
| | CABSTAR 28.11 - 35.13 - 35.15 | 01-06→ | 46 | BREMBO | 6126-G | 11779 | P-466601 | 1 | 66 |
| | | | | | | 11787 | K-466601-R | 1 | 66 |
| | | | | | | 11786 | K-466601-L | 1 | 66 |
| | CABSTAR 28.11 - 35.13 - 35.15 | 01-06→ | 18 | BREMBO | 30034-G | | | | |
| | (F22 - H40) | 01-87→01-90 | 15,9 | NABCO | 3170-G | | | | |
| | (H40) (SERVO) | 01-90→ | 15,9 | | 3621-G | | | | |
| | (F23 - H41) | 01-93→01-95 | 15,9 | NABCO | 4125-G | | | | |
| | (F22 - F23 - H40) | →01-95 | 17,5 | NABCO | 3380-G | | | | |
| | (F23) | 10-98→ | 17,5 | NABCO | 3607-G | | | | |
| | (F22 - H40) | →01-89 | 19 | NABCO | 10227-G | | | | |
| | (F22 - H40) | 01-91→ | 19 | NABCO | 3431-G | | | | |
| | (F23) | 01-93→01-95 | 19 | NABCO | 4378-G | | | | |
| | (F23) | 01-95→ | 19 | NABCO | 4379-G | | | | |



Master Cylinder



Front Caliper



Front Wheel Cylinder



Clutch Master Cylinder



Front Caliper Guides



Pressure Regulating Valve



Rear Caliper



Rear Wheel Cylinder



Clutch Slave Cylinder



Rear Caliper Guides

Ø
(mm.)

VERSION



NISSAN - DATSUN

7 of 23

CEDRIC

| | | | | | | | | | |
|--|------------------------------|-------------|------|----------------|----------------|-------|----------|---|----|
| | Y 31 - SY31 | | 25,4 | NABCO - TOKICO | 3260-G | | | | |
| | ALL TYPES | | 25,4 | NABCO - TOKICO | 3914-G | | | | |
| | ALL TYPES (2 PISTONS) | | 43 | NISSAN | 3900-G | | | | |
| | 230 - 330 - 430 | 01-71→01-83 | 54 | SUMITOMO | 3041-G | | | | |
| | ALL TYPES | | 61 | | 3168-G | 10977 | P-605001 | 1 | 50 |
| | ALL TYPES | | 20,6 | NABCO | 3185-G | | | | |
| | ALL TYPES | 01-79→01-86 | 43 | NISSAN | 4578-G | | | | |
| | ALL TYPES | | 15,9 | NABCO | 3155-G | | | | |
| | Y 30 3.0 | 01-94→01-95 | 15,9 | NABCO | 3605-G | | | | |
| | Y 30 - SY31 | | 17,5 | NABCO | 3380-G | | | | |
| | Y 30 | | 19 | NABCO | 10227-G | | | | |
| | SY31 - Y31 | | 19 | NABCO | 3431-G | | | | |
| | 330 - 331 - 332 - 430 - HY30 | 01-75→ | 19 | | 4376-G | | | | |
| | QJY31 | 01-91→ | 19 | NABCO | 4377-G | | | | |
| | SY31 | 01-94→01-95 | 19 | NABCO | 4378-G | | | | |

CHERRY

| | | | | | | | | | |
|--|----------------|-------------|------|----------------|----------------|-------|----------|---|------|
| | N10 | | 17,5 | NABCO | 3938-G | | | | |
| | N12 | | 19 | NABCO - TOKICO | 3929-G | | | | |
| | N12 | | 20,6 | ATE | 3505-G | | | | |
| | N10 | | 20,6 | | 3930-G | | | | |
| | N12 | 01-82→01-86 | 48 | TOKICO | 3343-G | 10657 | P-484803 | 1 | 48,5 |
| | N10 | 08-78→01-83 | 48 | TOKICO | 3836-G | 10617 | P-482902 | 1 | 29 |
| | | | | | | | P-482901 | 1 | 29 |
| | E10 | 01-70→01-75 | 48 | AKEBONO | 4785-G | | | | |
| | N12 (EUROPE) | 01-82→01-87 | 51 | AKEBONO | 4475-G | 11817 | P-514202 | 1 | 42,5 |
| | N12 | 01-82→01-87 | 8 | AKEBONO | 30047-G | | | | |
| | N10 | | 15,9 | NABCO - TOKICO | 10217-G | | | | |
| | N12 EXCEPT 1.6 | 05-82→12-86 | 19 | NABCO - TOKICO | 3919-G | | | | |
| | N10 | | 15,9 | NABCO | 3155-G | | | | |
| | N10 | | 19 | NABCO | 3431-G | | | | |

CIVILIAN - CAVALIER - CLIPPER

| | | | | | | | | | |
|--|---------------------------|-------------|------|--------|----------------|--|--|--|--|
| | ALL TYPES | 01-77→01-78 | 25,4 | TOKICO | 3994-G | | | | |
| | ALL TYPES | 01-78→01-80 | 25,4 | TOKICO | 3995-G | | | | |
| | ALL TYPES | 01-80→01-82 | 25,4 | TOKICO | 3996-G | | | | |
| | ALL TYPES (TWIN WHEELS) | 01-78→01-82 | 28,6 | NABCO | 3788-G | | | | |
| | CIVILIAN | | | | | | | | |
| | ALL TYPES | 01-77→01-78 | 28,6 | NABCO | 6350-G | | | | |
| | CIVILIAN | | 23,8 | | 3920-G | | | | |
| | TRUCK (SINGLE WHEEL) | 01-78→01-82 | | NABCO | | | | | |
| | TRUCK - BUS (TWIN WHEELS) | 01-78→01-82 | 27 | | 3789-G | | | | |
| | CIVILIAN | | | | | | | | |
| | ALL TYPES | 01-77→01-02 | 15,9 | NABCO | 3170-G | | | | |
| | ALL TYPES | 01-78→01-82 | 17,5 | NABCO | 3380-G | | | | |
| | ALL TYPES | 01-77→01-78 | 19 | NABCO | 10227-G | | | | |
| | CIVILIAN 3.5D - 4.2D | 01-94→01-96 | 19 | NABCO | 4378-G | | | | |
| | CIVILIAN 3.5D | 01-96→ | 19 | NABCO | 4379-G | | | | |



Master Cylinder



Front Caliper



Front Wheel Cylinder



Clutch Master Cylinder



Front Caliper Guides



Pressure Regulating Valve



Rear Caliper



Rear Wheel Cylinder



Clutch Slave Cylinder



Rear Caliper Guides



∅
(mm.)

VERSION



NISSAN - DATSUN

8 of 23

CK80 5.600 DIESEL TRUCK

| | | | | | |
|--|-----------|--------|------|--|---------------|
| | ALL TYPES | 01-82→ | 15,9 | | 3924-G |
|--|-----------|--------|------|--|---------------|

CUBE

| | | | | | | | | | |
|--|--------------|--------|-----|---------|----------------|-------|----------|---|------|
| | ALL TYPES | 08-09→ | 57 | NISSAN | 6318-G | 11431 | P-575103 | 1 | 51,2 |
| | ALL TYPES | 08-09→ | 10 | NISSAN | 30129-G | | | | |
| | (Z12) SERIES | 09-07→ | 35 | AKEBONO | 6111-G | 10721 | P-354502 | 1 | 45,8 |
| | (Z12) SERIES | 09-07→ | 8,2 | AKEBONO | 30040-G | | | | |

D50

| | | | | | |
|--|-------------------|--------|---|--------|----------------|
| | (VN10C) ALL TYPES | 03-12→ | 8 | NISSAN | 30137-G |
|--|-------------------|--------|---|--------|----------------|

DATSUN 100 - 2.200D SERIES

| | | | | | |
|--|---------------------------------------|-------------|------|---------------------|----------------|
| | B-120 - PICK-UP - B110 - KB | | 17,5 | NABCO | 4408-G |
| | ALL TYPES (FRONT DISC) | 01-78→01-82 | 20,6 | TOKICO | 6194-G |
| | 2.2 D | | 22,2 | TOKICO | 3758-G |
| | 1.2 - 1.3 - 120 - G | 01-66→ | 20,6 | | 10223-G |
| | 100 - A | 01-70→01-77 | 22,2 | | 10222-G |
| | 160B - 180B | 01-66→01-74 | 22,2 | | 2584-G |
| | 200B | 01-79→01-81 | 54 | LUCAS - AP LOCKHEED | 3846-G |
| | 1.0 - 1.2 | 01-66→01-74 | 17,5 | | 10228-G |
| | 2.2 D | 01-65→01-70 | 19 | | 10231-G |
| | 160B - 180B | 01-66→01-74 | 20,6 | | 10225-G |
| | 100 - A | 01-70→01-77 | 22,2 | | 10222-G |
| | ALL TYPES (O-RING TYPE 30611-N4025) | | 15,9 | NABCO | 3155-G |
| | ALL TYPES (O-RING TYPE 30611-N0125) | | 15,9 | NABCO | 3170-G |
| | ALL TYPES (O-RING TYPE 30611-10625/6) | | 15,9 | | 3924-G |
| | 2.2 D | 01-65→01-70 | 15,9 | | 10232-G |
| | ALL TYPES | | 17,5 | NABCO | 3380-G |
| | ALL TYPES | | 19 | NABCO | 3431-G |

E 20

| | | | | | |
|--|-----------------|-------------|------|----------------|----------------|
| | ALL TYPES | 01-73→01-80 | 22,2 | NABCO | 3933-G |
| | ALL TYPES | 01-73→01-80 | 25,4 | NABCO - TOKICO | 3914-G |
| | ALL TYPES (RHD) | 01-73→01-78 | 25,4 | | 4202-G |
| | ALL TYPES | 01-73→01-80 | 15,9 | | 4203-G |
| | ALL TYPES (RHD) | 01-75→01-78 | 19 | NABCO | 3917-G |
| | ALL TYPES | 01-73→01-80 | 15,9 | NABCO | 3170-G |
| | ALL TYPES | 01-73→01-80 | 19 | NABCO | 10227-G |

EBRO D - E SERIES

| | | | | | |
|--|---------------------------|--|------|--------|---------------|
| | E35 - 60 - 70 - 90 SERIES | | 38,1 | TAVISA | 3009-G |
| | SERIES E35 - 60 - 70 - 90 | | 38,1 | LUCAS | 3025-G |
| | ALL TYPES | | 34,9 | TAVISA | 2614-G |
| | D600 | | 38,1 | | 2613-G |
| | ALL TYPES | | 34,9 | TAVISA | 2614-G |
| | D600 | | 38,1 | | 2613-G |



Master Cylinder



Front Caliper



Front Wheel Cylinder



Clutch Master Cylinder



Front Caliper Guides



Pressure Regulating Valve



Rear Caliper



Rear Wheel Cylinder



Clutch Slave Cylinder



Rear Caliper Guides

Ø
(mm.)

VERSION

**NISSAN - DATSUN**

9 of 23

EBRO F-260 - F-275

| | | | | |
|--|-----------|------|--------|---------------|
| | ALL TYPES | 25,4 | LUCAS | 3034-G |
| | ALL TYPES | 25,4 | TAVISA | 3003-G |
| | ALL TYPES | 19 | TAVISA | 3004-G |

EBRO F-L-M SERIRS NISSAN L-M SERIES

| | | | | |
|--|--------------------------|------|----------------|---------------|
| | F-350 - L-35 - 45 | 25,4 | LUCAS | 3082-G |
| | L60 - L80 | 28,6 | BEDNIX - BOSCH | 3090-G |
| | L-35.08-09 - L-45.08-.09 | 25,4 | BEDNIX - BOSCH | 3303-G |
| | ALL TYPES | 22,2 | BEDNIX - BOSCH | 3087-G |
| | ALL TYPES | 28,6 | BEDNIX - BOSCH | 3088-G |

EBRO L-60 - L-80

| | | | | |
|--|-----------|------|--------|---------------|
| | ALL TYPES | 22,2 | TAVISA | 3086-G |
| | ALL TYPES | 15,9 | FAG | 4571-G |

EBRO M-100 - M-125

| | | | | |
|--|------------------------------------|------|----------------|---------------|
| | M 100 (UPPER & LOWER POSITION) | 38,1 | BEDNIX - BOSCH | 3094-G |
| | M 125 (UPPER & LOWER POSITION) | 44,4 | BEDNIX - BOSCH | 3096-G |
| | M 100 (UPPER POSITION) | 38,1 | BEDNIX - BOSCH | 3094-G |
| | ALL TYPES (UPPER & LOWER POSITION) | 44,4 | BEDNIX - BOSCH | 3095-G |
| | M 125 (UPPER POSITION) | 44,4 | BEDNIX - BOSCH | 3096-G |
| | ALL TYPES | 22,2 | BEDNIX - BOSCH | 3087-G |
| | ALL TYPES | 28,6 | BEDNIX - BOSCH | 3088-G |

EBRO SERIE PESADA

| | | | | |
|--|-----------|------|--|---------------|
| | ALL TYPES | 22,2 | | 3028-G |
|--|-----------|------|--|---------------|

ECO

| | | | | | |
|--|-------------------|-------------|------|----------------|---------------|
| | T-100 | →01-96 | 27 | LUCAS | 3626-G |
| | T-100 (2 PISTONS) | 01-80→01-97 | 52 | BEDNIX - BOSCH | 3058-G |
| | ALL TYPES | | 25,4 | BEDNIX - BOSCH | 3303-G |
| | ALL TYPES | | 15,9 | FAG | 3627-G |
| | ALL TYPES | | 20,6 | FAG | 3625-G |
| | ALL TYPES | | 19 | FAG | 3624-G |

F 10

| | | | | | |
|--|-----------|-------------|------|--------|----------------|
| | ALL TYPES | 01-75→01-79 | 17,5 | NABCO | 3938-G |
| | ALL TYPES | 01-75→01-79 | 17,5 | TOKICO | 4554-G |
| | ALL TYPES | 01-76→01-79 | 15,9 | NABCO | 3155-G |
| | ALL TYPES | 01-75→01-76 | 15,9 | NABCO | 3170-G |
| | ALL TYPES | 01-75→01-79 | 19 | NABCO | 10227-G |

F-350 - L-35 - L-60

| | | | | |
|--|-----------|------|--------|---------------|
| | ALL TYPES | 22,2 | TAVISA | 3086-G |
| | ALL TYPES | 28,6 | | 3084-G |



Master Cylinder



Front Caliper



Front Wheel Cylinder



Clutch Master Cylinder



Front Caliper Guides



Pressure Regulating Valve



Rear Caliper



Rear Wheel Cylinder



Clutch Slave Cylinder



Rear Caliper Guides

Ø
(mm.)

VERSION

**NISSAN - DATSUN**

10 of 23

FAIRLADY

| | | | | | | | | | |
|--|--------------------------------|-------------|----|----------------|---------------|-------|----------|---|------|
| | (Z31) | 01-84→12-89 | 43 | TOKICO | 4511-G | 10783 | P-434901 | 2 | 48,9 |
| | FAIRLADY 240 Z - 260 Z - 280 Z | 10-70→12-78 | 54 | SUMITOMO | 3041-G | | | | |
| | (Z31) | 01-84→12-89 | 61 | NABCO - TOKICO | 3168-G | | | | |
| | FAIRLADY 280 Z - (Z31) | 07-78→12-89 | 43 | TOKICO | 4459-G | 10528 | P-424601 | 1 | 46,8 |
| | | | | | | 11746 | K-424601 | 1 | 46,8 |

GT - R

| | | | | | | | | | |
|--|-----------|--------|----|--------|---------------|--|--|--|--|
| | ALL TYPES | 12-08→ | 30 | BREMBO | 6219-G | | | | |
|--|-----------|--------|----|--------|---------------|--|--|--|--|

INTERSTART

| | | | | | | | | | |
|--|-----------|--------|----|-------|----------------|-------|------------|---|----|
| | ALL TYPES | 07-02→ | 45 | BOSCH | 4664-G | 10811 | P-455101 | 2 | 51 |
| | ALL TYPES | 07-02→ | 20 | BOSCH | 30118-G | | | | |
| | ALL TYPES | 07-02→ | 42 | BOSCH | 4662-G | 10772 | P-425103 | 1 | 51 |
| | | | | | | 11720 | K-425103-R | 1 | 51 |
| | | | | | | 11719 | K-425103-L | 1 | 51 |
| | ALL TYPES | 07-02→ | 10 | BOSCH | 30014-G | | | | |

JEEP COMANDO

| | | | | | | | | | |
|--|-----------|--|------|-------|---------------|--|--|--|--|
| | ALL TYPES | | 25,4 | LUCAS | 3034-G | | | | |
|--|-----------|--|------|-------|---------------|--|--|--|--|

JUKE

| | | | | | | | | | |
|--|----------------------------|--------|----|---------|----------------|-------|----------|---|------|
| | 1.5 - 1.6 | 06-10→ | 57 | NISSAN | 4305-G | 10943 | P-575103 | 1 | 51,2 |
| | ALL TYPES EXCEPT 1.5 - 1.6 | 06-10→ | 57 | NISSAN | 6318-G | 11431 | P-575103 | 1 | 51,2 |
| | ALL TYPES EXCEPT 1.5 - 1.6 | 06-10→ | 10 | NISSAN | 30129-G | | | | |
| | ALL TYPES | 06-10→ | 35 | AKEBONO | 6111-G | 10721 | P-354502 | 1 | 45,8 |

JUNIOR

| | | | | | | | | | |
|--|-----------------------------------|-------------|------|-------|---------------|--|--|--|--|
| | 2.000 - DIESEL 140 - Q140 (SERVO) | 01-73→01-78 | 22,2 | NABCO | 3531-G | | | | |
|--|-----------------------------------|-------------|------|-------|---------------|--|--|--|--|

KING CAB

| | | | | | | | | | |
|--|---|--------|----|--------|----------------|-------|----------|---|----|
| | D22 | 02-98→ | 43 | NISSAN | 3900-G | 10781 | P-434802 | 2 | 48 |
| | 2.4 i 4WD - 2.5 DI - 2.5 DI 4WD (16" WHEEL) | 01-01→ | 46 | NISSAN | 4715-G | 11780 | P-465101 | 2 | 51 |
| | (LCD22) ALL TYPES | 01-08→ | 11 | NISSAN | 30162-G | | | | |

KUBISTAR

| | | | | | | | | | |
|--|------------------|--------|------|----------------|----------------|-------|----------|---|------|
| | ALL TYPES (-ABS) | 08-03→ | 22,2 | BEDNIX - BOSCH | 4143-G | | | | |
| | ALL TYPES (-ABS) | 08-03→ | 54 | BOSCH | 3639-G | 10578 | P-545001 | 1 | 50,5 |
| | ALL TYPES (ABS) | 08-03→ | 54 | BOSCH | 4632-G | 10568 | P-545201 | 1 | 52,5 |
| | ALL TYPES | 08-03→ | 7 | BOSCH | 30000-G | | | | |
| | ALL TYPES | 08-03→ | 22,2 | BOSCH | 4940-G | | | | |

L-110.14 - L-125.14 - L-130.17

| | | | | | | | | | |
|--|-----------|--|------|----------------|---------------|--|--|--|--|
| | ALL TYPES | | 22,2 | BEDNIX - BOSCH | 3087-G | | | | |
| | ALL TYPES | | 28,6 | BEDNIX - BOSCH | 3088-G | | | | |

L60.09 - L80.09 - 14 - M110 - M125.14

| | | | | | | | | | |
|--|-----------|--|-------|----------------|---------------|--|--|--|--|
| | ALL TYPES | | 44,45 | | 3295-G | | | | |
| | ALL TYPES | | 41,3 | BEDNIX - BOSCH | 3296-G | | | | |
| | ALL TYPES | | 15,9 | FAG | 4571-G | | | | |



Master Cylinder



Front Caliper



Front Wheel Cylinder



Clutch Master Cylinder



Front Caliper Guides



Pressure Regulating Valve



Rear Caliper



Rear Wheel Cylinder



Clutch Slave Cylinder



Rear Caliper Guides

Ø
(mm.)

VERSION



NISSAN - DATSUN

11 of 23

LAUREL

| | | | | | | | | | |
|--|----------------------------|-------------|------|----------------|----------------|-------|----------|---|------|
| | C31 | 01-81→12-85 | 22,2 | NABCO - TOKICO | 3758-G | | | | |
| | C32 | 11-84→12-89 | 25,4 | NABCO - TOKICO | 3260-G | | | | |
| | C30 | 01-68→01-72 | 51 | AKEBONO | 3847-G | 10851 | P-513901 | 1 | 39 |
| | ALL TYPES | 01-72→08-73 | 51 | TOKICO | 6294-G | | | | |
| | C130 - C230 - LI20A - LI26 | 01-73→01-80 | 54 | SUMITOMO | 3041-G | | | | |
| | C31 | 01-81→12-85 | 54 | TOKICO | 3597-G | | | | |
| | C31 | 01-81→12-85 | 54 | | 3901-G | 11381 | P-544201 | 1 | 42,5 |
| | C31 | 01-81→12-85 | 57 | LUCAS | 3839-G | | | | |
| | C32 | 11-84→12-89 | 61 | TOKICO | 3168-G | 10977 | P-605001 | 1 | 50 |
| | ALL TYPES | 01-85→08-90 | 12 | TOKICO | 30088-G | | | | |
| | C31 | 01-81→12-85 | 20,6 | NABCO | 3185-G | | | | |
| | C31 - C32 | 01-81→12-89 | 22,2 | TOKICO | 3169-G | | | | |
| | C32 | 11-84→12-89 | 22,2 | NABCO | 3908-G | | | | |
| | C31 - C32 | 01-81→12-89 | 22,2 | NABCO | 4218-G | | | | |
| | C32 | 11-84→12-89 | 43 | AKEBONO | 4626-G | 10696 | P-434501 | 1 | 44,8 |
| | C31 - C32 | 01-81→12-89 | 15,9 | NABCO | 3155-G | | | | |
| | C32 87→ - A31 89→ | | 17,5 | NABCO | 3380-G | | | | |
| | C31 - C32 | 01-81→12-89 | 19 | NABCO | 10227-G | | | | |
| | C32 3.0 | 11-84→12-89 | 19 | NABCO | 3431-G | | | | |

LEAF

| | | | | | | | | | |
|--|-----------|-------------|----|--------|----------------|-------|----------|---|------|
| | ALL TYPES | 02-13→05-14 | 45 | NISSAN | 6150-G | 11768 | P-455102 | 2 | 51 |
| | ALL TYPES | 05-14→ | 57 | NISSAN | 6318-G | 11431 | P-575103 | 1 | 51,2 |
| | ALL TYPES | 11-10→ | 11 | NISSAN | 30162-G | | | | |

LIVINA

| | | | | | | | | | |
|--|--|--------|---|--------|----------------|--|--|--|--|
| | (L10P - L10H - NL10Z - L10Z) ALL TYPES | 03-08→ | 8 | NISSAN | 30137-G | | | | |
|--|--|--------|---|--------|----------------|--|--|--|--|

MARCH

| | | | | | | | | | |
|--|-------------------------|--------|---|--------|----------------|--|--|--|--|
| | (K13Z - K13W) ALL TYPES | 07-10→ | 8 | NISSAN | 30137-G | | | | |
|--|-------------------------|--------|---|--------|----------------|--|--|--|--|



Master Cylinder



Front Caliper



Front Wheel Cylinder



Clutch Master Cylinder



Front Caliper Guides



Pressure Regulating Valve



Rear Caliper



Rear Wheel Cylinder



Clutch Slave Cylinder



Rear Caliper Guides



Ø
(mm.)

VERSION



NISSAN - DATSUN

12 of 23

MAXIMA

| | | | | | | | | | |
|--|--|-------------|------|-----------------|----------------|-------|----------|---|------|
| | (J30) SERIES (-ABS) | 10-88→02-95 | 23,8 | NABCO | 3558-G | | | | |
| | (J30) SERIES (ABS) | 10-88→02-95 | 25,4 | NABCO | 3614-G | | | | |
| | (J30) SERIES - QX (A32) SERIES (2 PISTONS) | 10-88→ | 40 | NISSAN - TOKICO | 4598-G | 11690 | P-405002 | 2 | 50,5 |
| | QX (A33) SERIES | 12-99→11-03 | 43 | NISSAN | 3900-G | 10781 | P-434802 | 2 | 48 |
| | (J30) - QX (A32) SERIES | 10-88→08-00 | 57 | LUCAS | 3839-G | 10585 | P-575001 | 1 | 49,8 |
| | (J30) - QX (A32) SERIES | 10-88→08-00 | 57 | NISSAN | 4305-G | 10943 | P-575103 | 1 | 51,2 |
| | (U11) SERIES (USA) | 09-84→12-88 | 61 | TOKICO | 3168-G | 10977 | P-605001 | 1 | 50 |
| | (J30) SERIES | 10-88→02-95 | 10 | NISSAN | 30012-G | | | | |
| | QX (A33) SERIES | 12-99→11-03 | 10 | AKEBONO | 30016-G | | | | |
| | (J30) - QX (A32) SERIES | 10-88→08-00 | 34 | LUCAS | 3539-G | 11051 | P-344801 | 1 | 48 |
| | | | | | | 11560 | K-344801 | 1 | 48 |
| | (J30) - QX (A32) SERIES | 10-88→08-00 | 34 | LUCAS | 6017-G | | | | |
| | QX (A33) SERIES | 03-00→11-03 | 38 | NISSAN | 3683-G | 10605 | P-384601 | 1 | 46,8 |
| | QX (A33) SERIES (ABS) | | | | | 11648 | K-384601 | 1 | 46,8 |
| | (G910) SERIES (USA) | 09-80→12-84 | 43 | NISSAN | 6261-G | | | | |
| | QX (A32) SERIES | 02-95→08-00 | 10 | LUCAS | 30012-G | | | | |
| | (J30) SERIES | 10-88→01-91 | 15,9 | NABCO | 3155-G | | | | |
| | (J30) SERIES | 01-91→02-95 | 15,9 | NABCO | 3605-G | | | | |
| | QX (A32) SERIES | 02-95→08-00 | 15,9 | NABCO | 3612-G | | | | |
| | (J30) SERIES | 10-88→02-95 | 19 | NABCO | 3431-G | | | | |
| | QX (A32) SERIES | 02-95→08-00 | 19 | NABCO | 4378-G | | | | |
| | QX (A32) SERIES | 02-95→08-00 | 19 | NABCO | 4379-G | | | | |

MICRA

| | | | | | | | | | |
|--|--------------|-------------|------|----------------|----------------|-------|----------|---|------|
| | K10 | 12-82→07-92 | 17,5 | TOKICO | 3931-G | | | | |
| | K11 (EUROPE) | 01-92→02-03 | 19 | LUCAS | 3588-G | | | | |
| | K10 (EUROPE) | 12-82→07-92 | 19 | NABCO - TOKICO | 3929-G | | | | |
| | K10 | 12-82→07-92 | 45 | TOKICO | 3898-G | 10810 | P-454502 | 1 | 45,5 |
| | K11 | 01-92→02-03 | 48 | LUCAS | 3589-G | 10557 | P-484901 | 1 | 49,7 |
| | ALL TYPES | 01-03→ | 54 | LUCAS | 3649-G | 10571 | P-545301 | 1 | 53,7 |
| | K12 - K13 | 01-03→ | 8,4 | LUCAS | 30046-G | | | | |
| | K11 | 01-92→02-03 | 10 | LUCAS | 30012-G | | | | |
| | K10 | 12-82→07-92 | 16 | TOKICO | 30110-G | | | | |
| | K10 | 12-82→07-92 | 14,3 | NABCO | 4241-G | | | | |
| | K10 (EUROPE) | 12-82→07-92 | 15,9 | NABCO | 4178-G | | | | |
| | K11 | 01-92→02-03 | 17,5 | LUCAS | 3591-G | | | | |
| | K12 | 01-03→06-10 | 19 | | 4863-G | | | | |
| | K11 (ABS) | 01-92→02-03 | 30 | LUCAS | 3590-G | 10682 | P-304601 | 1 | 46,7 |
| | | | | | | 11515 | K-304601 | 1 | 46,7 |
| | K11 | 01-92→02-03 | 10 | LUCAS | 30013-G | | | | |

MURANO

| | | | | | | | | | |
|--|--------------------|--------|----|---------|----------------|-------|----------|---|----|
| | (Z50) SERIES | 08-03→ | 45 | NISSAN | 6150-G | 11768 | P-455102 | 2 | 51 |
| | (Z50) SERIES 3.5V6 | 00-05→ | 64 | | 6337-G | | | | |
| | (Z50 - Z51) SERIES | 08-03→ | 11 | NISSAN | 30162-G | | | | |
| | (Z50) SERIES | 08-03→ | 43 | AKEBONO | 6075-G | 11732 | P-434504 | 1 | 45 |
| | (Z51) SERIES | 11-07→ | 43 | AKEBONO | 6187-G | 11259 | P-434505 | 1 | 45 |



Master Cylinder



Front Caliper



Front Wheel Cylinder



Clutch Master Cylinder



Front Caliper Guides



Pressure Regulating Valve



Rear Caliper



Rear Wheel Cylinder



Clutch Slave Cylinder



Rear Caliper Guides

∅
(mm.)

VERSION

**NISSAN - DATSUN****13 of 23****NAVARA**

| | | | | | | | | | |
|--|----------------------------------|--------|------|--------|----------------|-------|----------|---|------|
| | (D40) SERIES 2.5 dCi | 10-04→ | 25,4 | ATE | 6118-G | | | | |
| | (D40) SERIES 2.5 dCi | 10-04→ | 25,4 | TOKICO | 6208-G | | | | |
| | (D40) SERIES 2.5 dCi (17" WHEEL) | 10-04→ | 45 | NISSAN | 6150-G | 11768 | P-455102 | 2 | 51 |
| | (D40) SERIES 2.5 dCi (16" WHEEL) | 10-04→ | 46 | NISSAN | 4715-G | 11780 | P-465101 | 2 | 51 |
| | (D40) SERIES | 10-04→ | 11 | NISSAN | 30162-G | | | | |
| | (D40) SERIES 2.5 dCi | 10-04→ | 38 | NISSAN | 6124-G | 11624 | P-385105 | 1 | 51,5 |
| | (D40) SERIES | 10-04→ | 15,9 | NABCO | 4942-G | | | | |

NOTE

| | | | | | | | | | |
|--|-----------|--------|-----|-------|----------------|-------|----------|---|------|
| | ALL TYPES | 03-06→ | 54 | LUCAS | 3649-G | 10571 | P-545301 | 1 | 53,7 |
| | ALL TYPES | 03-06→ | 8,4 | LUCAS | 30046-G | | | | |

NV200

| | | | | | | | | | |
|--|-----------------|--------|----|--------|----------------|-------|----------|---|----|
| | 1.5dCi - 1.6 | 02-10→ | 61 | TOKICO | 6333-G | 11464 | P-605001 | 1 | 50 |
| | (M20) ALL TYPES | 02-10→ | 10 | NISSAN | 30144-G | | | | |

NV400

| | | | | | | | | | |
|--|--------------------------------|--------|----|--------|----------------|-------|----------|---|------|
| | ALL TYPES | 11-11→ | 48 | BREMBO | 6288-G | 11793 | P-485506 | 2 | 55,5 |
| | ALL TYPES | 11-11→ | 18 | BREMBO | 30117-G | | | | |
| | ALL TYPES - SINGLE REAR WHEELS | 11-11→ | 48 | BREMBO | 6149-G | 11795 | P-485303 | 1 | 53,5 |
| | | | | | | 11843 | K-485303 | 1 | 53,5 |
| | ALL TYPES - TWIN REAR WHEELS | 11-11→ | 60 | BREMBO | 6327-G | 11473 | P-605401 | 1 | 54 |
| | | | | | | 11845 | K-605401 | 1 | 54 |
| | ALL TYPES (SINGLE REAR WHEELS) | 11-11→ | 18 | BREMBO | 30117-G | | | | |

PATHFINDER

| | | | | | | | | | |
|--|----------------------------------|-------------|------|---------|----------------|-------|----------|---|------|
| | (R51) SERIES 2.5 dCi (17" WHEEL) | 01-05→12-12 | 45 | NISSAN | 6150-G | 11768 | P-455102 | 2 | 51 |
| | (R51) SEREIS 2.5 dCi (16" WHEEL) | 01-05→12-12 | 46 | NISSAN | 4715-G | 11780 | P-465101 | 2 | 51 |
| | (R50) SERIES 3.5V6 | 01-04→01-05 | 51 | NISSAN | 6366-G | 11819 | P-515201 | 2 | 52,5 |
| | (R50) SERIES | 09-97→01-05 | 9,8 | AKEBONO | 30039-G | | | | |
| | (R51) SERIES | 01-05→12-12 | 11 | NISSAN | 30162-G | | | | |
| | (R51) 2.5 dCi - 4.0 | 01-05→ | 38 | NISSAN | 6124-G | 11624 | P-385105 | 1 | 51,5 |
| | (R51) 2.5 dCi - 4.0 | 01-05→ | 10 | NISSAN | 30144-G | | | | |
| | (R51) SERIES | 01-05→ | 15,9 | NABCO | 4942-G | | | | |



Master Cylinder



Front Caliper



Front Wheel Cylinder



Clutch Master Cylinder



Front Caliper Guides



Pressure Regulating Valve



Rear Caliper



Rear Wheel Cylinder



Clutch Slave Cylinder



Rear Caliper Guides



Ø
(mm.)

VERSION



NISSAN - DATSUN

14 of 23

PATROL

| | | | | | | | | | |
|--|---------------------------------|-------------|------|----------------|----------------|-------|----------|---|------|
| | III SERIES (160) (FRONT DRUM) | 11-79→12-97 | 22,2 | NABCO | 3531-G | | | | |
| | III SERIES (160) FRONT DRUM | 11-79→12-97 | 22,2 | NABCO - TOKICO | 3758-G | | | | |
| | III SERIES (160) (FRONT DISC) | 11-79→12-97 | 23,8 | LUCAS | 3182-G | | | | |
| | III SERIES (160) (FRONT DISC) | 11-79→12-97 | 23,8 | NABCO | 3259-G | | | | |
| | IV SERIES (Y60) MD 27-28 ENGINE | 08-87→02-98 | 25,4 | NABCO - TOKICO | 3260-G | | | | |
| | IV SERIES (Y60) | 08-87→02-98 | 25,4 | NABCO | 3617-G | | | | |
| | II SERIES (60) | 01-76→12-80 | 25,4 | TOKICO | 3994-G | | | | |
| | IV SERIES (Y60) (REAR DISC) | 08-87→02-98 | 27 | TOKICO | 3616-G | | | | |
| | IV SERIES (Y60) | 08-87→02-98 | 48 | SUMITOMO | 3618-G | 10828 | P-485202 | 2 | 52,8 |
| | V SERIES (Y61) 2.8 TD - 3.0TD | 06-97→ | 48 | NISSAN | 4719-G | 10829 | P-485202 | 2 | 52,8 |
| | V SERIES (Y61) TB48DE TYPE | 06-97→ | 51 | NISSAN | 6367-G | 11818 | P-515301 | 2 | 53 |
| | III - IV SERIES (160 - Y60) | 11-79→02-98 | 68 | NISSAN - LUCAS | 3153-G | 10597 | P-684901 | 1 | 49,5 |
| | IV SERIES (Y60) RD28T TYPE | 08-87→02-98 | 14 | NISSAN | 30166-G | | | | |
| | III SERIES (160) | 11-79→12-97 | | | | | | | |
| | V SERIES (Y61) | 06-97→ | 14 | NISSAN | 30167-G | | | | |
| | III SERIES (160 - 260) | 11-79→04-98 | 19 | NABCO | 3913-G | | | | |
| | III SERIES (160) | 11-79→12-97 | 22,2 | NABCO | 3154-G | | | | |
| | IV SERIES (Y60) | 08-87→02-98 | 25,4 | NABCO | 3619-G | | | | |
| | V SERIES (Y61) 2.8TD - 3.0TDI | 06-97→ | 48 | NISSAN | 3589-G | 10653 | P-484803 | 1 | 48,5 |
| | IV SERIES (Y60) | 08-87→02-98 | 51 | AKEBONO | 3620-G | 10866 | P-514802 | 1 | 48 |
| | IV SERIES (Y60) | 08-87→02-98 | 51 | AKEBONO | 4747-G | 11357 | P-514802 | 1 | 48 |
| | IV SERIES (Y60) | 08-87→02-98 | 51 | AKEBONO | 6036-G | | | | |
| | V SERIES (Y61) TB48DE TYPE | 06-97→ | 51 | TOKICO | 6379-G | 11844 | P-515301 | 1 | 53 |
| | V SERIES (Y61) WAGON | 06-97→ | 10 | NISSAN | 30016-G | | | | |
| | VI SERIES (Y62) VK56VD TYPE | 04-10→ | 10 | NISSAN | 30129-G | | | | |
| | IV SERIES (Y60) | 08-87→02-98 | 13 | AKEBONO | 30131-G | | | | |
| | III SERIES (160) | 11-79→12-97 | 15,9 | NABCO | 3155-G | | | | |
| | IV SERIES (Y60) | 08-87→02-98 | | | | | | | |
| | IV SERIES (Y60) | 01-92→ | 15,9 | NABCO | 3605-G | | | | |
| | IV SERIES (Y60) (SERVO) | 08-87→02-98 | 15,9 | | 3621-G | | | | |
| | IV SERIES (Y60) 6 CYLINDER | 08-87→02-98 | 15,9 | NABCO | 4396-G | | | | |
| | III SERIES (160) | 11-79→12-97 | 19 | NABCO | 10227-G | | | | |
| | III SERIES (260) | 08-87→04-98 | 19 | LUCAS | 3156-G | | | | |
| | IV SERIES (Y60) 2.8 | 08-87→02-98 | 19 | NABCO | 3431-G | | | | |
| | IV SERIES (Y60) | 01-91→01-95 | 19 | NABCO | 4377-G | | | | |
| | IV SERIES (Y60) | 02-88→ | 19 | NABCO | 4378-G | | | | |
| | IV SERIES (Y60) | 01-95→ | 19 | NABCO | 4379-G | | | | |



Master Cylinder



Front Caliper



Front Wheel Cylinder



Clutch Master Cylinder



Front Caliper Guides



Pressure Regulating Valve



Rear Caliper



Rear Wheel Cylinder



Clutch Slave Cylinder



Rear Caliper Guides

Ø
(mm.)

VERSION



NISSAN - DATSUN

15 of 23

PICK-UP

| | | | | | | | | | |
|--|--------------------------------|-------------|------|----------------|----------------|-------|----------|---|------|
| | (620) SERIES | 01-72→12-79 | 17,5 | NABCO | 3938-G | | | | |
| | (620) SERIES | 01-72→12-79 | 17,5 | TOKICO | 4554-G | | | | |
| | (620) SERIES | 01-72→12-79 | 19 | TOKICO | 3926-G | | | | |
| | (620) SERIES | 01-72→12-79 | 19 | NABCO | 4409-G | | | | |
| | (620) SERIES 1500 (SERVO) | 01-78→12-79 | 22,2 | NABCO | 3531-G | | | | |
| | (620 - 720) SERIES | 01-72→03-86 | 22,2 | TOKICO | 3758-G | | | | |
| | (720) SERIES | 01-80→03-86 | 22,2 | TOKICO | 3932-G | | | | |
| | (620) SERIES | 01-72→12-79 | 22,2 | NABCO | 3933-G | | | | |
| | (720) SERIES | 01-80→03-86 | 23,8 | | 3756-G | | | | |
| | (620) SERIES | 01-72→01-73 | 19 | | 10231-G | | | | |
| | (620) SERIES | 01-73→12-79 | 19 | | 4611-G | | | | |
| | (620 - 720) SERIES | 01-72→12-79 | 25,4 | NABCO - TOKICO | 3914-G | | | | |
| | (D21) SERIES | 09-85→02-98 | 43 | NISSAN | 3900-G | 11741 | P-434805 | 2 | 48 |
| | (D21) SERIES (KA24E) (4WD) | 04-92→02-98 | | | | 10781 | P-434802 | 2 | 48 |
| | (D21) SERIES (4WD) | 09-85→02-98 | | | | 11712 | P-424801 | 2 | 48,9 |
| | (D22) SERIES (16" WHEEL) | 01-97→ | 46 | NISSAN | 4715-G | 11780 | P-465101 | 2 | 51 |
| | (620 - 720) SERIES (2 PISTONS) | 01-72→03-86 | 54 | | 3041-G | | | | |
| | (D21) SERIES | 09-85→02-98 | 61 | NISSAN | 3168-G | 10977 | P-605001 | 1 | 50 |
| | (D22) SERIES | 01-97→ | 10 | NISSAN | 30012-G | | | | |
| | (720 - D21) SERIES | 01-80→02-98 | 12 | TOKICO | 30088-G | | | | |
| | (720) SERIES | 01-80→03-86 | 14,3 | NABCO | 6340-G | | | | |
| | (D21) SERIES 4WD | 09-82→02-98 | 15,9 | NABCO - TOKICO | 3792-G | | | | |
| | (720) SERIES | 01-80→03-86 | 15,9 | NABCO - TOKICO | 3911-G | | | | |
| | (720) SERIES | 01-80→03-86 | 15,9 | TOKICO | 3916-G | | | | |
| | (D21) SERIES | 09-85→02-98 | 17,5 | NABCO | 3783-G | | | | |
| | (D21) SERIES | 09-85→02-98 | 17,5 | TOKICO | 3790-G | | | | |
| | (D21) SERIES | 00-85→02-98 | 19 | TOKICO | 3787-G | | | | |
| | (D21) SERIES | 09-85→02-98 | 19 | NABCO | 3791-G | | | | |
| | (720) SERIES | 01-80→03-86 | 19 | TOKICO | 3915-G | | | | |
| | (620) SERIES | 01-72→12-79 | 19 | | 3917-G | | | | |
| | (720) SERIES | 01-80→03-86 | 19 | NABCO - TOKICO | 4183-G | | | | |
| | (D21) SERIES | 09-85→02-98 | 23,8 | TOKICO | 4243-G | | | | |
| | (620 - 720 - D21) SERIES | 01-76→01-92 | 15,9 | NABCO | 3155-G | | | | |
| | (620) SERIES | 01-72→01-76 | 15,9 | NABCO | 3170-G | | | | |
| | (D21) SERIES | 01-92→01-96 | 15,9 | NABCO | 3605-G | | | | |
| | (D21) SERIES | 01-96→02-98 | 15,9 | NABCO | 3612-G | | | | |
| | (D21) SERIES (LHD) | 09-85→01-96 | 17,5 | NABCO | 3380-G | | | | |
| | (D21) SERIES (LHD) | 01-96→02-98 | 17,5 | NABCO | 3607-G | | | | |
| | (620 - 720) SERIES | 01-72→03-86 | 19 | NABCO | 10227-G | | | | |
| | (D21) SERIES (RHD) | 09-85→02-98 | 19 | NABCO | 3431-G | | | | |
| | (720) SERIES | 01-80→03-86 | 19 | | 4376-G | | | | |
| | (D21) SERIES | 09-85→02-98 | 19 | NABCO | 4378-G | | | | |
| | (D21) SERIES 2.5D | 01-96→02-98 | 19 | NABCO | 4379-G | | | | |

PIXO

| | | | | | | | | | |
|--|-----------|--------|----|--------|----------------|-------|----------|---|----|
| | ALL TYPES | 04-09→ | 51 | TOKICO | 6296-G | 11361 | P-515301 | 1 | 53 |
| | ALL TYPES | 04-09→ | 8 | TOKICO | 30044-G | | | | |



Master Cylinder



Front Caliper



Front Wheel Cylinder



Clutch Master Cylinder



Front Caliper Guides



Pressure Regulating Valve



Rear Caliper



Rear Wheel Cylinder



Clutch Slave Cylinder



Rear Caliper Guides



∅
(mm.)

VERSION



NISSAN - DATSUN

16 of 23

PRAIRIE

| | | | | | | | | | |
|--|-------------|-------------|------|----------------|----------------|-------|----------|---|------|
| | M 10 | 01-83→01-85 | 20,6 | ATE | 3505-G | | | | |
| | M 11 | 01-89→ | 23,8 | NABCO | 3558-G | | | | |
| | M 10 | 01-85→01-89 | 23,8 | NABCO | 3922-G | | | | |
| | M 10 | 09-82→01-89 | 51 | AKEBONO | 4475-G | 11817 | P-514202 | 1 | 42,5 |
| | M 11 | 10-88→07-94 | 57 | NISSAN | 4305-G | 10943 | P-575103 | 1 | 51,2 |
| | M 10 | 09-83→09-88 | 61 | TOKICO | 3168-G | 10977 | P-605001 | 1 | 50 |
| | M 11 | 10-88→07-94 | 10 | NISSAN | 30012-G | | | | |
| | M 10 | 09-83→09-88 | 12 | TOKICO | 30088-G | | | | |
| | M 10 | | 17,5 | NABCO - TOKICO | 3342-G | | | | |
| | M 10 - M 11 | 07-83→07-94 | 19 | NABCO - TOKICO | 3734-G | | | | |
| | M 11 | | 20,6 | NABCO | 3185-G | | | | |
| | M 11 | | 20,6 | TOKICO | 3379-G | | | | |
| | M 11 | | 22,2 | TOKICO | 3169-G | | | | |
| | M 11 | | 22,2 | NABCO | 3908-G | | | | |
| | M 11 | 01-88→01-92 | 15,9 | NABCO | 3155-G | | | | |
| | M 11 | 01-92→ | 15,9 | NABCO | 3605-G | | | | |
| | M 10 | 01-86→01-88 | 15,9 | NABCO | 3934-G | | | | |
| | M 10 | 01-86→01-88 | 19 | NABCO | 10227-G | | | | |
| | M 11 | 01-88→01-92 | 19 | NABCO | 3431-G | | | | |
| | M 11 | 01-92→ | 19 | NABCO | 4378-G | | | | |

PRESEA

| | | | | | | | | | |
|--|-----------|--|------|--------|---------------|--|--|--|--|
| | ALL TYPES | | 19 | NABCO | 6193-G | | | | |
| | ALL TYPES | | 48 | TOKICO | 3343-G | | | | |
| | ALL TYPES | | 15,9 | TOKICO | 3599-G | | | | |

PRIMASTAR

| | | | | | | | | | |
|--|-----------|--------|------|-------|----------------|-------|----------|---|----|
| | ALL TYPES | 03-01→ | 20,6 | LUCAS | 4788-G | | | | |
| | ALL TYPES | 03-01→ | 40 | LUCAS | 4755-G | 10608 | P-455301 | 1 | 53 |
| | | | | | | | P-405301 | 1 | 53 |
| | ALL TYPES | 09-06→ | 40 | TRW | 6095-G | | | | |
| | ALL TYPES | 03-01→ | 10 | LUCAS | 30078-G | | | | |
| | ALL TYPES | 03-01→ | 41 | LUCAS | 4289-G | 10610 | P-415101 | 1 | 51 |
| | | | | | | 11696 | K-415101 | 1 | 51 |
| | ALL TYPES | 03-01→ | 41 | LUCAS | 6031-G | | | | |
| | ALL TYPES | 03-01→ | 8 | LUCAS | 30004-G | | | | |



Master Cylinder



Front Caliper



Front Wheel Cylinder



Clutch Master Cylinder



Front Caliper Guides



Pressure Regulating Valve



Rear Caliper



Rear Wheel Cylinder



Clutch Slave Cylinder



Rear Caliper Guides

Ø
(mm.)

VERSION



NISSAN - DATSUN

17 of 23

PRIMERA

| | | | | | | | | | |
|--|--|-------------|------|----------------|----------------|-------|----------|---|------|
| | (P10) SERIES 1.6 - 2.0D | 06-90→03-98 | 22,2 | BEDNIX - BOSCH | 3613-G | | | | |
| | (P10) SERIES DIESEL | 01-93→ | 23,8 | BEDNIX - BOSCH | 3402-G | | | | |
| | (P10) SERIES 2.0i 4WD (-ABS) | 06-90→03-98 | 23,8 | NABCO | 3631-G | | | | |
| | (P10 - P11) SERIES (ABS) | 06-90→07-02 | 25,4 | NABCO | 3614-G | | | | |
| | (P11) SERIES | 06-96→07-02 | 25,4 | BEDNIX - BOSCH | 3992-G | | | | |
| | (P10) SERIES | 06-90→03-98 | 54 | AKEBONO | 3595-G | 11382 | P-544201 | 1 | 42,5 |
| | (P10) SERIES 1.6 - 2.0D | 06-90→03-98 | 54 | BEDNIX - BOSCH | 3940-G | 11371 | P-544402 | 1 | 44 |
| | (P10 - P11) SERIES (BA4) | 06-90→07-02 | 57 | LUCAS | 3839-G | 10585 | P-575001 | 1 | 49,8 |
| | (W10) SERIES | 07-90→03-98 | 57 | NISSAN | 4305-G | 10943 | P-575103 | 1 | 51,2 |
| | (P12) SERIES | 01-02→ | 57 | LUCAS | 4754-G | 10586 | P-575001 | 1 | 49,8 |
| | (P11 - WP11) SERIES 2.0 (16V - TD) | 09-96→07-02 | 57 | ATE | 4768-G | 11409 | P-574902 | 1 | 49,5 |
| | (P10 - P11) SERIES | 06-90→07-02 | 10 | LUCAS | 30078-G | | | | |
| | (P12) SERIES | 01-02→ | 10 | TRW | 30143-G | | | | |
| | (P11) SERIES | 01-96→01-02 | 17,5 | | 3810-G | | | | |
| | (W10) SERIES (PRESSURING REDUCING VALVE) | 01-90→ | 20,6 | TOKICO | 3379-G | | | | |
| | (P10) SERIES (PRESSURE REDUCING VALVE) | 01-90→01-96 | 20,6 | BEDNIX - BOSCH | 3553-G | | | | |
| | (P10) SERIES | 07-90→12-97 | 34 | LUCAS | 3539-G | 11051 | P-344801 | 1 | 48 |
| | (P11 - WP11) SERIES | 09-96→07-02 | | | | 10515 | P-334601 | 1 | 46,8 |
| | (P10) SERIES | 07-90→12-97 | | | | 11560 | K-344801 | 1 | 48 |
| | (P11 - WP11) SERIES | 09-96→07-02 | | | | 11566 | K-334601 | 1 | 46,8 |
| | (P10) SERIES | 01-90→06-96 | 34 | LUCAS | 6017-G | | | | |
| | (P11 - WP11) SERIES | 09-96→07-02 | 38 | TRW | 3540-G | 10522 | P-385101 | 1 | 51 |
| | | | | | | 11653 | K-385101 | 1 | 51 |
| | (W10) SERIES | 07-90→12-97 | 38 | NISSAN | 3683-G | 10605 | P-384601 | 1 | 46,8 |
| | (W10) SERIES (ABS) | | | | | 11648 | K-384601 | 1 | 46,8 |
| | (P12 - WP12) SERIES | 03-02→ | 38 | ATE | 4797-G | 10667 | P-384902 | 1 | 49,7 |
| | | | | | | 11646 | K-384902 | 1 | 49,7 |
| | (P10 - P11) SERIES | 07-90→07-02 | 10 | LUCAS | 30013-G | | | | |
| | (P11) SERIES 2.0TD | 01-97→ | 15,9 | NABCO | 3612-G | | | | |
| | (P10) SERIES | 01-90→01-96 | 15,9 | NABCO | 3981-G | | | | |
| | (P11) SERIES 2.0TD | 01-96→10-97 | 15,9 | NABCO | 4126-G | | | | |
| | (P12) SERIES | 07-02→ | 15,9 | NABCO | 4942-G | | | | |
| | (P11) SERIES | 06-96→ | 17,5 | NABCO | 3607-G | | | | |
| | (P10) SERIES | →06-96 | 19 | NABCO | 3431-G | | | | |

QASHQAI

| | | | | | | | | | |
|--|---------------------|--------|-----|---------|----------------|-------|----------|---|------|
| | (J10 - JJ10) SERIES | 02-07→ | 45 | NISSAN | 6150-G | 11768 | P-455102 | 2 | 51 |
| | (J10 - JJ10) SERIES | 02-07→ | 60 | AKEBONO | 6071-G | 10994 | P-604701 | 1 | 47 |
| | (J10 - JJ10) SERIES | 02-07→ | 10 | AKEBONO | 30153-G | | | | |
| | (J10 - JJ10) SERIES | 02-07→ | 11 | NISSAN | 30163-G | | | | |
| | (J10 - JJ10) SERIES | 02-07→ | 35 | AKEBONO | 6111-G | 10721 | P-354502 | 1 | 45,8 |
| | (J10 - JJ10) SERIES | 02-07→ | 43 | AKEBONO | 6187-G | 11259 | P-434505 | 1 | 45 |
| | (J10 - JJ10) SERIES | 02-07→ | 8,2 | AKEBONO | 30040-G | | | | |

SAFARI

| | | | | | | | | | |
|--|--|--|----|--------|---------------|-------|----------|---|----|
| | (Y61 - TY61) TB48DE TYPE (MIDDLE EAST COUNTRIE08-97→ | | 51 | NISSAN | 6367-G | 11818 | P-515301 | 2 | 53 |
| | (Y61 - TY61) TB48DE TYPE (MIDDLE EAST COUNTRIE08-97→ | | 51 | TOKICO | 6379-G | 11844 | P-515301 | 1 | 53 |



Master Cylinder



Front Caliper



Front Wheel Cylinder



Clutch Master Cylinder



Front Caliper Guides



Pressure Regulating Valve



Rear Caliper



Rear Wheel Cylinder



Clutch Slave Cylinder



Rear Caliper Guides

Ø
(mm.)

VERSION



NISSAN - DATSUN

18 of 23

SENTRA

| | | | | | | | | | |
|--|--------------------|-------------|----|---------|---------------|-------|----------|---|------|
| | (B12) (USA) | 01-86→01-91 | 48 | AKEBONO | 3344-G | | | | |
| | DIESEL B11 (USA) | 09-82→01-86 | 51 | AKEBONO | 4475-G | 11817 | P-514202 | 1 | 42,5 |
| | DIESEL & WAGON USA | 01-86→01-91 | 30 | AKEBONO | 4426-G | 11520 | P-304102 | 1 | 41 |
| | | | | | | 11521 | K-304102 | 1 | 41 |

SERENA

| | | | | | | | | | |
|--|--------------------|-------------|------|----------------|----------------|-------|----------|---|------|
| | (C23M) SERIES | 07-92→09-01 | 23,8 | LUCAS | 3602-G | | | | |
| | (C23M) SERIES | 07-92→09-01 | 43 | LUCAS | 4944-G | 10790 | P-424801 | 2 | 48,9 |
| | (C23M) DIESEL | 07-92→09-01 | 60,6 | BEDNIX - BOSCH | 3378-G | 10978 | P-604807 | 1 | 48,7 |
| | (C23M) 1.6 16V | 07-92→09-01 | 12 | TOKICO | 30088-G | | | | |
| | (C23M) SERIES | 07-92→09-01 | 23,8 | LUCAS | 3610-G | | | | |
| | (C23M) SERIES 2.0D | 07-92→09-01 | 13 | AKEBONO | 30131-G | | | | |
| | (C23M) SERIES | 07-92→09-01 | 15,9 | NABCO | 3605-G | | | | |
| | (C23M) SERIES | 07-92→09-01 | 17,5 | NABCO | 3380-G | | | | |
| | (C23M) SERIES | 07-92→02-94 | 19 | NABCO | 3431-G | | | | |
| | (C23M) SERIES | 01-94→01-96 | 19 | NABCO | 4378-G | | | | |
| | (C23M) SERIES | 01-96→09-01 | 19 | NABCO | 4379-G | | | | |

SILVIA

| | | | | | | | | | |
|--|---------------------------|-------------|----|----------|----------------|-------|----------|---|------|
| | (S110) SERIES (2 PISTONS) | 01-79→07-83 | 54 | | 3041-G | | | | |
| | (S12) 2.0GP | 06-83→12-88 | 61 | SUMITOMO | 3168-G | 10977 | P-605001 | 1 | 50 |
| | (S12) 2.0GP | 06-83→12-88 | 12 | SUMITOMO | 30088-G | | | | |
| | (S110) SERIES | 01-79→07-83 | 40 | TOKICO | 6109-G | | | | |
| | (S12) 2.0GP | 06-83→12-88 | 43 | TOKICO | 4459-G | 10528 | P-424601 | 1 | 46,8 |
| | | | | | | 11746 | K-424601 | 1 | 46,8 |

SKYLINE

| | | | | | | | | | |
|--|--------------------|-------------|------|----------------|----------------|--|--|--|--|
| | R30 (RHD) | 01-84→08-85 | 22,2 | NABCO | 3531-G | | | | |
| | R30 | | 22,2 | NABCO - TOKICO | 3758-G | | | | |
| | R31 | | 25,4 | NABCO - TOKICO | 3260-G | | | | |
| | R30 | | 51 | AKEBONO | 6299-G | | | | |
| | C10 - GC10 - C110 | 08-69→11-75 | 54 | SUMITOMO | 3041-G | | | | |
| | R30 | | 54 | NISSAN | 4262-G | | | | |
| | R30 - R31 | | 22,2 | TOKICO | 3169-G | | | | |
| | R31 | 01-86→01-89 | 22,2 | NABCO | 3908-G | | | | |
| | R30 - R31 | | 22,2 | NABCO | 4218-G | | | | |
| | R30 | | 23,8 | | 4539-G | | | | |
| | ALL TYPES | | 15,9 | NABCO | 3155-G | | | | |
| | SEDAN - HATCH BACK | 01-82→01-86 | 15,9 | NABCO | 3170-G | | | | |
| | R31 | | 17,5 | NABCO | 3380-G | | | | |
| | R30 - R31 | | 19 | NABCO | 10227-G | | | | |
| | R33 | | 19 | NABCO | 4379-G | | | | |



Master Cylinder



Front Caliper



Front Wheel Cylinder



Clutch Master Cylinder



Front Caliper Guides



Pressure Regulating Valve



Rear Caliper



Rear Wheel Cylinder



Clutch Slave Cylinder



Rear Caliper Guides



∅
(mm.)

VERSION



NISSAN - DATSUN

19 of 23

STANZA

| | | | | | | | | |
|--|---------------------|-------------|------|----------------|----------------|-------|----------|--------|
| | T11 84→86 - T12 88→ | | 20,6 | NABCO | 3528-G | | | |
| | A10 1.6 | 01-78→01-80 | 20,6 | TOKICO | 4354-G | | | |
| | T12 (GLUF STATES) | | 23,8 | NABCO | 3922-G | | | |
| | ALL TYPES | 01-81→ | 51 | AKEBONO | 4475-G | 11817 | P-514202 | 1 42,5 |
| | (T11) 1.6 - 1.8 | 01-78→12-85 | 51 | AKEBONO | 6299-G | | | |
| | T12 | 01-86→01-88 | 54 | NISSAN | 4262-G | | | |
| | T12 | | 61 | | 3168-G | | | |
| | T12 | 01-88→ | 15,9 | NABCO - TOKICO | 10217-G | | | |
| | T11 - T12 | | 17,5 | NABCO - TOKICO | 3342-G | | | |
| | T12 | | 20,6 | NABCO | 3185-G | | | |
| | T12 | | 20,6 | TOKICO | 3379-G | | | |
| | T12 | 01-88→ | 22,2 | TOKICO | 3169-G | | | |
| | T12 | 01-88→ | 22,2 | NABCO | 3908-G | | | |
| | T12 | | 15,9 | NABCO | 3155-G | | | |
| | T12 | | 15,9 | TOKICO | 3923-G | | | |
| | T12 | 01-86→01-87 | 19 | NABCO | 10227-G | | | |
| | T12 | 01-88→ | 19 | NABCO | 3431-G | | | |



Master Cylinder



Front Caliper



Front Wheel Cylinder



Clutch Master Cylinder



Front Caliper Guides



Pressure Regulating Valve



Rear Caliper



Rear Wheel Cylinder



Clutch Slave Cylinder



Rear Caliper Guides

Ø
(mm.)

VERSION



NISSAN - DATSUN

20 of 23

SUNNY - PULSAR - 100NX (B13 SERIES)

| | | | | | | | | | |
|--|--|-------------|------|----------------|----------------|-------|----------|---|------|
| | B310 | | 19 | TOKICO | 3928-G | | | | |
| | B11 - B12 - N13 | | 19 | NABCO - TOKICO | 3929-G | | | | |
| | B310 | | 19 | NABCO | 3936-G | | | | |
| | B12 | | 19 | NABCO | 6192-G | | | | |
| | B13 - N14 | | 19 | NABCO | 6193-G | | | | |
| | B11 | 01-83→01-84 | 20,6 | ATE | 3505-G | | | | |
| | B11 | 01-84→08-86 | 20,6 | NABCO | 3927-G | | | | |
| | B12 - N13 | | | | | | | | |
| | B310 | | 20,6 | NABCO | 3937-G | | | | |
| | B310 | 01-79→01-84 | 20,6 | TOKICO | 4354-G | | | | |
| | B11 | 01-84→08-86 | 20,6 | TOKICO | 4412-G | | | | |
| | Y 10 - N14 1.6i | 03-90→03-00 | 20,6 | NABCO - TOKICO | 4923-G | | | | |
| | B13 | | 22,2 | NABCO | 3531-G | | | | |
| | N14 2.0 TURBO (ABS) | 01-91→01-94 | 23,8 | NABCO | 3631-G | | | | |
| | N15 2.0 (-ABS) | 01-95→01-96 | | | | | | | |
| | B310 | | 22,2 | TOKICO | 3918-G | | | | |
| | B11 - B12 - B13 - N13 | 01-82→ | 48 | TOKICO | 3343-G | 10657 | P-484803 | 1 | 48,5 |
| | B12 DIESEL - GTI | 08-86→ | 48 | AKEBONO | 3344-G | 10832 | P-484403 | 1 | 44,5 |
| | B110 - B210 - B310 | 01-70→01-81 | 48 | TOKICO | 3836-G | 10617 | P-482902 | 1 | 29 |
| | B12 - N13 1.6 i - CA 1.6D (VENTILATED DISCS) | | 48 | | 3897-G | | | | |
| | B11 | 01-84→08-86 | 48 | AKEBONO | 4466-G | 10824 | P-484403 | 1 | 44,5 |
| | N12 | 03-82→07-90 | 48 | | 4809-G | | | | |
| | Y 10 - B12 - N13 | 01-86→03-00 | 48 | AKEBONO | 4952-G | 10831 | P-484403 | 1 | 44,5 |
| | B310 | | 51 | NISSAN | 3867-G | | | | |
| | B11 DIESEL (EUROPE) | 01-82→01-87 | 51 | AKEBONO | 4475-G | 11817 | P-514202 | 1 | 42,5 |
| | B110 | 06-70→02-82 | 51 | TOKICO | 6294-G | | | | |
| | 100 NX - SUNNY N14 | 06-90→05-95 | 54 | AKEBONO | 3595-G | 11382 | P-544201 | 1 | 42,5 |
| | 100 NX - SUNNY N14 | 06-90→05-95 | 8 | AKEBONO | 30047-G | | | | |
| | B11 - B12 - B13 - N13 | 01-82→ | | TOKICO | | | | | |
| | N16 - N17 | 12-99→ | 8 | NISSAN | 30137-G | | | | |
| | B12 DIESEL - GTI (VENTILATED DISCS) | 08-86→ | 13 | AKEBONO | 30131-G | | | | |
| | B13 - N14 | | 15,9 | TOKICO | 3599-G | | | | |
| | N14 (4WD) | | 15,9 | TOKICO | 3910-G | | | | |
| | B13 - N14 | 01-90→01-95 | 15,9 | NABCO | 4178-G | | | | |
| | B12 4WD | | 17,5 | NABCO - TOKICO | 3342-G | | | | |
| | N13 - 4WD | 01-86→01-90 | | | | | | | |
| | B12 DIESEL | | 17,5 | NABCO | 3906-G | | | | |
| | B12 DIESEL | | 17,5 | TOKICO | 3907-G | | | | |
| | N13 - 2WD | 01-86→01-90 | | | | | | | |
| | B11 - B12 - N13 | | 19 | NABCO - TOKICO | 3919-G | | | | |
| | B310 | | 20,6 | NABCO | 3185-G | | | | |
| | B310 | | 20,6 | TOKICO | 3379-G | | | | |
| | B120 | | 20,6 | | 4869-G | | | | |
| | B12 1.4 - 1.6 4WD - 2.0D | 01-84→ | 30 | AKEBONO | 4426-G | 11007 | P-304502 | 1 | 45 |
| | B12 DIESEL - GTI - N13 - N14 | 01-86→01-91 | | | | 11520 | P-304102 | 1 | 41 |
| | B12 1.4 - 1.6 4WD - 2.0D | 01-84→ | | | | 11506 | K-304502 | 1 | 45 |



Master Cylinder



Front Caliper



Front Wheel Cylinder



Clutch Master Cylinder



Front Caliper Guides



Pressure Regulating Valve



Rear Caliper



Rear Wheel Cylinder



Clutch Slave Cylinder



Rear Caliper Guides

Ø
(mm.)

VERSION

**NISSAN - DATSUN**

21 of 23

SUNNY - PULSAR - 100NX (B13 SERIES) (Continuation)

| | | | | | | | | | |
|--|------------------------------|-------------|------|---------|----------------|-------|----------|---|----|
| | B12 DIESEL - GTI - N13 - N14 | 01-86→01-91 | 30 | AKEBONO | 4426-G | 11521 | K-304102 | 1 | 41 |
| | N13 | 06-86→ | 30 | AKEBONO | 4975-G | | | | |
| | N14 2.0 | 10-90→05-95 | 34 | LUCAS | 3539-G | 11051 | P-344801 | 1 | 48 |
| | | | | | | 11560 | K-344801 | 1 | 48 |
| | N14 2.0 | 10-90→05-95 | 34 | LUCAS | 6017-G | | | | |
| | 100 NX | 10-90→05-95 | 8 | AKEBONO | 30047-G | | | | |
| | B310 | | 15,9 | NABCO | 3155-G | | | | |
| | B12 - N13 | | 15,9 | NABCO | 3934-G | | | | |
| | B14 - 2.0 TURBO N14 | 01-93→01-96 | 15,9 | NABCO | 4125-G | | | | |
| | B310 | | 17,5 | NABCO | 3380-G | | | | |
| | Y 10 VAN - B14 | 01-93→01-96 | | | | | | | |
| | B14 | 01-96→ | 17,5 | NABCO | 3607-G | | | | |
| | B12 - N13 | | 19 | NABCO | 3431-G | | | | |
| | SUNNY HB211 - GB211 | 01-76→12-77 | 19 | | 4376-G | | | | |

TEANA

| | | | | | | | | | |
|--|-----|--------|----|--------|----------------|-------|----------|---|------|
| | J32 | 07-08→ | 57 | NISSAN | 6318-G | 11431 | P-575103 | 1 | 51,2 |
| | J32 | 07-08→ | 10 | NISSAN | 30129-G | | | | |

TERRANO

| | | | | | | | | | |
|--|---------------------------------|-------------|------|----------------|----------------|-------|----------|---|------|
| | TERRANO II (R20) (COMPACT TYPE) | 10-92→ | 23,8 | LUCAS | 3328-G | | | | |
| | TERRANO II (R20) 2.4 | 10-92→ | 23,8 | LUCAS | 3602-G | | | | |
| | TERRANO I (WD21) | 07-86→02-96 | 25,4 | NABCO - TOKICO | 3260-G | | | | |
| | TERRANO II (R20) 3.0DI | 10-02→ | 25,4 | LUCAS | 6209-G | | | | |
| | TERRANO II (R20) | 05-96→ | 43 | LUCAS | 3604-G | 10611 | P-424801 | 2 | 48,9 |
| | TERRANO I (WD21) | 07-86→02-96 | 43 | NISSAN | 3900-G | 10781 | P-434802 | 2 | 48 |
| | TERRANO II (R20) | 10-92→ | 43 | LUCAS | 4944-G | 10790 | P-424801 | 2 | 48,9 |
| | TERRANO I (WD21) | 07-86→02-96 | 61 | | 3168-G | | | | |
| | TERRANO I (WD21) | 07-86→02-96 | 10 | NISSAN | 30012-G | | | | |
| | TERRANO I (WD21) | 07-86→02-96 | 15,9 | NABCO - TOKICO | 3792-G | | | | |
| | TERRANO I (WD21) | 07-86→02-96 | 20,6 | NABCO | 3185-G | | | | |
| | TERRANO I (WD21) | 07-86→02-96 | 20,6 | TOKICO | 3379-G | | | | |
| | TERRANO II (R20) | →05-96 | 22,2 | LUCAS | 3186-G | | | | |
| | TERRANO II (R20) | 01-93→10-99 | 23,8 | LUCAS | 3610-G | | | | |
| | TERRANO I (WD21) | 07-86→02-96 | 23,8 | TOKICO | 4243-G | | | | |
| | TERRANO I (WD21) 3.0 | 01-90→ | 43 | AKEBONO | 4357-G | 10692 | P-434801 | 1 | 48 |
| | TERRANO I (WD21) 3.0 | 01-90→ | 13 | AKEBONO | 30131-G | | | | |
| | TERRANO I - II (WD21 - R20) | 01-88→01-92 | 15,9 | NABCO | 3155-G | | | | |
| | TERRANO I - II (WD21 - R20) | 01-92→07-98 | 15,9 | NABCO | 3605-G | | | | |
| | TERRANO II (R20) | 01-99→ | | | | | | | |
| | TERRANO II (R20) 2.7 | 02-93→01-02 | 15,9 | NABCO | 3612-G | | | | |
| | TERRANO I - II (WD21 - R20) | 01-87→01-96 | 17,5 | NABCO | 3380-G | | | | |
| | TERRANO II (R20) | 01-96→ | 17,5 | NABCO | 3607-G | | | | |
| | TERRANO I (WD21) | | 19 | NABCO | 3431-G | | | | |
| | TERRANO I (WD21) 2.7D | 01-95→ | 19 | NABCO | 4378-G | | | | |
| | TERRANO II (R20) 2.7TDI | 01-96→ | 19 | NABCO | 4379-G | | | | |



Master Cylinder



Front Caliper



Front Wheel Cylinder



Clutch Master Cylinder



Front Caliper Guides



Pressure Regulating Valve



Rear Caliper



Rear Wheel Cylinder



Clutch Slave Cylinder



Rear Caliper Guides

Ø
(mm.)

VERSION



NISSAN - DATSUN

22 of 23

TIIDA

| | | | | | | | | |
|--|---------------------------|--------|-----|---------|----------------|-------|----------|--------|
| | (C11X) SERIES (HARD BOOT) | 07-07→ | 54 | | 6164-G | | | |
| | (C11) SERIES (ASIA) | 05-04→ | 57 | NISSAN | 6318-G | 11431 | P-575103 | 1 51,2 |
| | (C11) SERIES | 05-04→ | 8 | NISSAN | 30137-G | | | |
| | (C11X) SERIES | 07-07→ | 10 | NISSAN | 30129-G | | | |
| | (C11X) SERIES | 07-07→ | 35 | AKEBONO | 6111-G | 10721 | P-354502 | 1 45,8 |
| | (C11X) SERIES | 07-07→ | 8,2 | AKEBONO | 30040-G | | | |

TITAN

| | | | | | | | | |
|--|---------------|-------------|----|--------|---------------|-------|----------|--------|
| | ALL TYPES A60 | 10-03→04-07 | 51 | NISSAN | 6366-G | 11819 | P-515201 | 2 52,5 |
| | ALL TYPES A60 | 04-07→08-12 | 51 | NISSAN | 6368-G | 11820 | P-515501 | 2 55 |

TRADE

| | | | | | | | | |
|--|-----------|--|------|----------------|---------------|--|--|--|
| | ALL TYPES | | 25,4 | LUCAS | 3082-G | | | |
| | ALL TYPES | | 22,2 | BEDNIX - BOSCH | 3087-G | | | |

URVAN

| | | | | | | | | |
|--|------------------|-------------|------|----------------|----------------|-------|----------|--------|
| | E23 RHD | 01-83→01-86 | 22,2 | NABCO - TOKICO | 3758-G | | | |
| | E23 | | 22,2 | NABCO | 3933-G | | | |
| | E24 | | 23,8 | NABCO | 3558-G | | | |
| | E23 (RHD) | 01-83→01-86 | 23,8 | NABCO | 3756-G | | | |
| | E23 | | 23,8 | NABCO | 3939-G | | | |
| | E23 | | 25,4 | NABCO - TOKICO | 3914-G | | | |
| | E24 | | 43 | NISSAN | 3900-G | 11712 | P-424801 | 2 48,9 |
| | E23 - E24 | | 61 | NISSAN | 3168-G | 10977 | P-605001 | 1 50 |
| | E24 | | 10 | NISSAN | 30012-G | | | |
| | E23 SHORT BODY | 01-85→01-86 | 15,9 | NABCO - TOKICO | 3792-G | | | |
| | E24 | | | | | | | |
| | E23 (SHORT BODY) | 01-82→01-85 | 15,9 | NABCO | 3911-G | | | |
| | E23 (SHORT BODY) | 01-80→01-82 | 15,9 | TOKICO | 3916-G | | | |
| | E23 (LONG BODY) | 01-85→01-86 | 17,5 | NABCO | 3783-G | | | |
| | E23 (LONG BODY) | 01-85→01-86 | 17,5 | TOKICO | 3790-G | | | |
| | E23 LONG BODY | 01-82→01-85 | 17,5 | NABCO - TOKICO | 3793-G | | | |
| | E23 H20 | →01-82 | 17,5 | TOKICO | 4149-G | | | |
| | E23 DIESEL VAN | 01-85→01-86 | 19 | TOKICO | 3787-G | | | |
| | E23 DIESEL VAN | 01-85→01-86 | 19 | NABCO | 3791-G | | | |
| | E23 DIESEL | | 19 | TOKICO | 3915-G | | | |
| | E23 DIESEL VAN | 01-82→01-85 | 19 | NABCO - TOKICO | 4183-G | | | |
| | E24 | | 20,6 | NABCO | 3185-G | | | |
| | E24 | | 20,6 | TOKICO | 3379-G | | | |
| | E24 | 01-87→01-94 | 15,9 | NABCO | 3155-G | | | |
| | E23 | | 15,9 | NABCO | 3170-G | | | |
| | E24 | 01-94→01-96 | 15,9 | NABCO | 3605-G | | | |
| | E23 - E24 PETROL | →10-93 | 19 | NABCO | 10227-G | | | |
| | E24 DIESEL | →10-93 | 19 | NABCO | 3431-G | | | |
| | E24 PETROL | 10-93→ | | | | | | |
| | ALL TYPES | 01-94→01-96 | 19 | NABCO | 4378-G | | | |
| | ALL TYPES | 01-95→ | 19 | NABCO | 4379-G | | | |



Master Cylinder



Front Caliper



Front Wheel Cylinder



Clutch Master Cylinder



Front Caliper Guides



Pressure Regulating Valve



Rear Caliper



Rear Wheel Cylinder



Clutch Slave Cylinder



Rear Caliper Guides

Ø
(mm.)

VERSION



NISSAN - DATSUN

23 of 23

VANETTE

| | | | | | | | | | |
|--|--------------------------|-------------|------|----------------|----------------|-------|----------|---|------|
| | (C22) SERIES | 10-86→12-95 | 20,6 | NABCO | 3528-G | | | | |
| | (C22) SERIES | 10-86→12-95 | 22,2 | NABCO | 3531-G | | | | |
| | (C120) SERIES | 06-81→12-87 | 22,2 | | 6199-G | | | | |
| | (C120) SERIES | 06-81→12-87 | 23,8 | LUCAS | 3152-G | | | | |
| | (C22) SERIES | 10-86→12-95 | 23,8 | LUCAS | 3182-G | | | | |
| | (C22) SERIES | 10-86→12-95 | 23,8 | NABCO | 3259-G | | | | |
| | (C22) SERIES | 10-86→12-95 | 43 | NISSAN | 3900-G | 11712 | P-424801 | 2 | 48,9 |
| | (C23) SERIES | 09-94→ | 43 | LUCAS | 4944-G | 10790 | P-424801 | 2 | 48,9 |
| | (C120) SERIES | 06-81→12-87 | 51 | AKEBONO | 4475-G | 11817 | P-514202 | 1 | 42,5 |
| | (C22) SERIES | 10-86→12-95 | 60,6 | BEDNIX - BOSCH | 3378-G | 10978 | P-604807 | 1 | 48,7 |
| | (C22) SERIES | 10-86→12-95 | 61 | NABCO | 3168-G | | | | |
| | (C22) SERIES | 10-86→12-95 | 10 | NISSIN - LUCAS | 30012-G | | | | |
| | (C23) SERIES | 09-94→ | 12 | TOKICO | 30088-G | | | | |
| | (C22) SERIES MICRO BUS | 10-86→12-95 | 15,9 | NABCO - TOKICO | 10217-G | | | | |
| | (C22) SERIES | 10-86→12-95 | 17,5 | NABCO - TOKICO | 3342-G | | | | |
| | (C22) SERIES | 10-86→12-95 | 19 | NABCO - TOKICO | 3734-G | | | | |
| | (C22) SERIES (-ASBESTOS) | 10-86→12-95 | 20,6 | NABCO | 3185-G | | | | |
| | (C22) SERIES (ASBESTOS) | 10-86→12-95 | 20,6 | TOKICO | 3379-G | | | | |
| | (C22) SERIES | 10-86→12-95 | 22,2 | TOKICO | 3169-G | | | | |
| | (C23) SERIES | 09-94→ | 23,8 | LUCAS | 3610-G | | | | |
| | (C22) SERIES | →01-90 | 15,9 | NABCO | 3170-G | | | | |
| | (C22) SERIES 1.2 - 2.0 | | 17,5 | NABCO | 3380-G | | | | |
| | (C23) SERIES 2.0 | 09-95→ | 17,5 | NABCO | 3607-G | | | | |
| | (C22) SERIES | 10-86→01-90 | 19 | NABCO | 10227-G | | | | |
| | (C22) SERIES | 10-86→12-95 | 19 | LUCAS | 3156-G | | | | |
| | (C22) SERIES | 01-90→01-93 | 19 | NABCO | 3431-G | | | | |
| | (C22) SERIES | 01-93→12-95 | 19 | NABCO | 4378-G | | | | |

X-TRAIL

| | | | | | | | | | |
|--|-------------------------|-------------|------|---------|----------------|-------|----------|---|------|
| | (T30) SERIES (ABS) | 06-01→12-07 | 25,4 | BOSCH | 4935-G | | | | |
| | (T30) SERIES | 06-01→12-07 | 44 | AKEBONO | 4711-G | 10698 | P-445201 | 2 | 52,4 |
| | (T31) SERIES | 03-07→11-13 | 60 | AKEBONO | 6071-G | 10994 | P-604701 | 1 | 47 |
| | (T30) SERIES | 06-01→12-07 | 9,8 | AKEBONO | 30039-G | | | | |
| | (T31) SERIES | 03-07→11-13 | 10 | AKEBONO | 30153-G | | | | |
| | (T30) SERIES | 06-01→12-07 | 35 | AKEBONO | 4820-G | 10714 | P-354502 | 1 | 45,8 |
| | (T31) SERIES | 03-07→11-13 | 35 | AKEBONO | 6111-G | 10721 | P-354502 | 1 | 45,8 |
| | (T30) SERIES | 06-01→12-07 | 8,2 | AKEBONO | 30040-G | | | | |
| | (T30) SERIES EXCEPT 2.5 | 06-01→12-07 | 15,9 | NABCO | 4942-G | | | | |



Master Cylinder



Front Caliper



Front Wheel Cylinder



Clutch Master Cylinder



Front Caliper Guides



Pressure Regulating Valve



Rear Caliper



Rear Wheel Cylinder



Clutch Slave Cylinder



Rear Caliper Guides

Ø
(mm.)

VERSION



OPEL

1 of 11

ADMIRAL

| | | | | | | | | | |
|--|--------------------------|-------------|----|-----|---------------|-------|----------|---|------|
| | A - B SERIES (2 PISTONS) | 04-64→01-78 | 54 | ATE | 4482-G | | | | |
| | A - B SERIES | 04-64→01-78 | 42 | ATE | 3370-G | 10777 | P-422901 | 2 | 29,5 |

AGILA

| | | | | | | | | | |
|--|--|-------------|-------|-------|----------------|-------|----------|---|------|
| | A SERIES 1.0 - 1.2 - 1.3 (HARD BOOT) | 09-00→12-07 | 48 | BOSCH | 4645-G | 10544 | P-484701 | 1 | 47 |
| | A SERIES 1.0 12V - 1.2 12V (HARD BOOT) | 09-00→12-07 | 48 | BOSCH | 4667-G | 10552 | P-485002 | 1 | 50,5 |
| | B SERIES | 04-08→ | 54 | LUCAS | 3649-G | 10571 | P-545301 | 1 | 53,7 |
| | A SERIES | 09-00→12-07 | 8 | BOSCH | 30045-G | | | | |
| | B SERIES | 04-08→ | 8,4 | LUCAS | 30046-G | | | | |
| | A SERIES (CH. 3 G→) | 09-00→12-07 | 10 | BOSCH | 30015-G | | | | |
| | A SERIES | 09-00→12-07 | 15,87 | | 4861-G | | | | |

AMPERA

| | | | | | | | | | |
|--|-----------|--------|----|-----|----------------|-------|----------|---|----|
| | ALL TYPES | 11-11→ | 10 | ATE | 30140-G | | | | |
| | ALL TYPES | 11-11→ | 38 | ATE | 6241-G | 11640 | P-384805 | 1 | 48 |
| | | | | | | 11647 | K-384805 | 1 | 48 |
| | ALL TYPES | 11-11→ | 10 | ATE | 30083-G | | | | |

ANTARA

| | | | | | | | | | |
|--|-----------|--------|-----|-------|----------------|-------|----------|---|------|
| | ALL TYPES | 05-06→ | 45 | MANDO | 6066-G | 10815 | P-454902 | 1 | 49 |
| | ALL TYPES | 05-06→ | 9,9 | MANDO | 30061-G | | | | |
| | ALL TYPES | 05-06→ | 40 | MANDO | 6041-G | 10766 | P-404903 | 1 | 49,6 |

ASCONA - MANTA

| | | | | | | | | | |
|--|---------------------------------------|-------------|------|----------------|---------------|-------|----------|---|------|
| | C SERIES | 01-81→ | 20,6 | DELCO | 3112-G | | | | |
| | A SERIES | 01-70→ | 20,6 | ATE - FAG | 3157-G | | | | |
| | C SERIES 1.3 - 1.6 - DIESEL | 09-81→10-88 | 20,6 | DELCO | 3239-G | | | | |
| | C SERIES 1.3 - 1.6 - DIESEL | 09-81→10-88 | 20,6 | ATE | 3355-G | | | | |
| | B SERIES | 01-76→01-81 | 20,6 | DELCO | 3953-G | | | | |
| | B SERIES | 09-75→08-81 | 20,6 | ATE | 3958-G | | | | |
| | A - B SERIES | 10-70→08-81 | 48 | LUCAS | 2643-G | 10615 | P-482901 | 2 | 29 |
| | B - C SERIES EXCEPT 1.8 - 2.0 | 09-75→10-88 | 48 | DELCO | 3097-G | 10530 | P-484301 | 1 | 43,5 |
| | B - C SERIES | | | | | 10541 | P-484301 | 1 | 43,5 |
| | A - B SERIES | 10-70→08-81 | 48 | ATE | 3356-G | 10531 | P-484401 | 2 | 44,4 |
| | A SERIES | 10-70→08-75 | 48 | ATE | 4257-G | 10822 | P-483001 | 2 | 30 |
| | B - C SERIES | 09-75→10-88 | 48 | ATE | 4574-G | 10532 | P-484401 | 1 | 44,4 |
| | C SERIES 1.8 - 2.0 (VENTILATED DISCS) | 09-81→10-88 | 52 | DELCO | 3115-G | 10560 | P-524301 | 1 | 43,5 |
| | C SERIES 2.0 SE | 09-81→10-88 | 52 | ATE | 3332-G | 10559 | P-524801 | 1 | 48 |
| | B - C SERIES | 09-75→10-88 | 23 | DELCO | 10250 | | | | |
| | A - B SERIES | 10-70→08-81 | 15,9 | FAG | 3503-G | | | | |
| | C SERIES | 09-81→10-88 | 17,5 | ATE | 3514-G | | | | |
| | C SERIES | 09-81→10-88 | 17,5 | FAG | 4149-G | | | | |
| | C SERIES | 09-81→10-88 | 19 | FAG | 3330-G | | | | |
| | C SERIES 2.0 | 09-81→10-88 | 19 | ATE | 3516-G | | | | |
| | A - B SERIES | 10-70→08-81 | 19 | ATE | 3705-G | | | | |
| | B SERIES | 09-75→08-81 | 19 | BEDNIX - BOSCH | 4154-G | | | | |



Master Cylinder



Front Caliper



Front Wheel Cylinder



Clutch Master Cylinder



Front Caliper Guides



Pressure Regulating Valve



Rear Caliper



Rear Wheel Cylinder



Clutch Slave Cylinder



Rear Caliper Guides



∅
(mm.)

VERSION



OPEL

2 of 11

ASTRA (F SERIES)

| | | | | | | | | | |
|--|-----------------------|--------|------|-------|---------------|-------|----------|---|------|
| | ALL TYPES (-ABS) | 09-91→ | 20,6 | DELCO | 3336-G | | | | |
| | ALL TYPES (-ABS) | 09-91→ | 22,2 | ATE | 3252-G | | | | |
| | ALL TYPES (SOFT BOOT) | 09-91→ | 48 | ATE | 3130-G | 10533 | P-484801 | 1 | 48,8 |
| | ALL TYPES | 09-91→ | 52 | ATE | 3332-G | 10559 | P-524801 | 1 | 48 |
| | ALL TYPES | 09-91→ | 24 | ATE | 4331-G | | | | |
| | 1.4 - 1.6 - 1.8 | 09-91→ | 17,5 | ATE | 3514-G | | | | |
| | CC 2.0 - GSI | 09-91→ | 19 | ATE | 3516-G | | | | |
| | ALL TYPES (HARD BOOT) | 09-91→ | 35 | ATE | 3256-G | 10679 | P-352801 | 2 | 28,5 |

ASTRA (G SERIES)

| | | | | | | | | | |
|--|-----------------------|--------|------|-------|----------------|-------|----------|---|------|
| | ALL TYPES | 02-98→ | 23,8 | LUCAS | 4682-G | | | | |
| | 1.2 (HARD BOOT) | 02-98→ | 48 | ATE | 4776-G | 10844 | P-485601 | 1 | 56,7 |
| | ALL TYPES | 02-98→ | 52 | ATE | 4671-G | 10877 | P-525601 | 1 | 56,8 |
| | ALL TYPES | 02-98→ | 57 | ATE | 3391-G | 10582 | P-575501 | 1 | 55,2 |
| | ALL TYPES | 02-98→ | 57 | ATE | 4983-G | | | | |
| | ALL TYPES | 02-98→ | 24 | ATE | 4331-G | | | | |
| | ALL TYPES | 02-98→ | 34 | BOSCH | 4517-G | 10645 | P-344701 | 1 | 47 |
| | | | | | | 11570 | K-344701 | 1 | 47 |
| | ALL TYPES | 02-98→ | 34 | LUCAS | 4695-G | 10516 | P-334601 | 1 | 46,8 |
| | ALL TYPES (DISC 10MM) | | | | | 11564 | K-334601 | 1 | 46,8 |
| | ALL TYPES | 02-98→ | 36 | BOSCH | 4519-G | 10647 | P-364701 | 1 | 47 |
| | | | | | | 11604 | K-364701 | 1 | 47 |
| | ALL TYPES | 02-98→ | 36 | LUCAS | 4753-G | 11595 | P-364805 | 1 | 48 |
| | | | | | | 11602 | K-364805 | 1 | 48 |
| | ALL TYPES | 02-98→ | 38 | LUCAS | 4442-G | 10520 | P-385101 | 1 | 51 |
| | | | | | | 11651 | K-385101 | 1 | 51 |
| | ALL TYPES | 02-98→ | 38 | BOSCH | 4636-G | 10663 | P-384702 | 1 | 47 |
| | | | | | | 11655 | K-384702 | 1 | 47 |
| | ALL TYPES | 02-98→ | 7 | BOSCH | 30000-G | | | | |
| | ALL TYPES | 02-98→ | 10 | LUCAS | 30041-G | | | | |

ASTRA (H SERIES)

| | | | | | | | | | |
|--|-----------------------|--------|------|-------|----------------|-------|----------|---|------|
| | ALL TYPES | 03-04→ | 25,4 | LUCAS | 4570-G | | | | |
| | ALL TYPES | 03-04→ | 52 | ATE | 4671-G | 10877 | P-525601 | 1 | 56,8 |
| | ALL TYPES | 03-04→ | 57 | ATE | 3391-G | 10582 | P-575501 | 1 | 55,2 |
| | ALL TYPES | 03-04→ | 57 | ATE | 4983-G | | | | |
| | ALL TYPES | 03-04→ | 24 | ATE | 4331-G | | | | |
| | ALL TYPES (DISC 10MM) | 03-04→ | 34 | LUCAS | 4695-G | 10516 | P-334601 | 1 | 46,8 |
| | | | | | | 11564 | K-334601 | 1 | 46,8 |
| | ALL TYPES | 03-04→ | 36 | LUCAS | 4753-G | 11595 | P-364805 | 1 | 48 |
| | | | | | | 11602 | K-364805 | 1 | 48 |
| | ALL TYPES | 03-04→ | 38 | LUCAS | 4442-G | 10520 | P-385101 | 1 | 51 |
| | | | | | | 11651 | K-385101 | 1 | 51 |
| | ALL TYPES | 03-04→ | 10 | LUCAS | 30041-G | | | | |



Master Cylinder



Front Caliper



Front Wheel Cylinder



Clutch Master Cylinder



Front Caliper Guides



Pressure Regulating Valve



Rear Caliper



Rear Wheel Cylinder



Clutch Slave Cylinder



Rear Caliper Guides

Ø
(mm.)

VERSION



OPEL

3 of 11

ASTRA (J SERIES)

| | | | | | | | | | |
|--|----------------------------|--------|----|--------|----------------|-------|----------|---|----|
| | 2.0 GTC OPC (DISC 355MM) | 12-09→ | 40 | BREMBO | 4887-G | 11689 | P-443002 | 2 | 30 |
| | | | | | | | P-403005 | 2 | 30 |
| | ALL TYPES (DISC 30-27,6MM) | 12-09→ | 60 | ATE | 6170-G | 11463 | P-605103 | 1 | 51 |
| | ALL TYPES | 12-09→ | 60 | MANDO | 6323-G | | | | |
| | ALL TYPES | 12-09→ | 10 | ATE | 30140-G | | | | |
| | ALL TYPES | 12-09→ | 38 | ATE | 6241-G | 11640 | P-384805 | 1 | 48 |
| | | | | | | 11647 | K-384805 | 1 | 48 |
| | ALL TYPES | 12-09→ | 40 | ATE | 6247-G | 11197 | P-404803 | 1 | 48 |
| | | | | | | 11686 | K-404803 | 1 | 48 |
| | ALL TYPES | 12-09→ | 10 | ATE | 30083-G | | | | |

CALIBRA

| | | | | | | | | | |
|--|-----------------------------------|-------------|------|-------|---------------|-------|----------|---|------|
| | ALL TYPES (-ABS) | 06-90→07-97 | 20,6 | DELCO | 3336-G | | | | |
| | ALL TYPES (-ABS DISC 22,2-23,8MM) | 06-90→07-97 | 22,2 | DELCO | 3525-G | | | | |
| | 2.0 TURBO - 2.5V6 (ABS) | 06-90→07-97 | 23,8 | ATE | 3982-G | | | | |
| | 2.0 2WD | 06-90→07-97 | 52 | ATE | 3332-G | 10559 | P-524801 | 1 | 48 |
| | TURBO - V6 | 06-90→07-97 | 54 | ATE | 3073-G | 11386 | P-545302 | 1 | 53,1 |
| | 2.0 4WD | | | | | 11385 | P-544803 | 1 | 48 |
| | ALL TYPES | 06-90→07-97 | 19 | FAG | 3330-G | | | | |
| | 2.0 4WD - TURBO | 06-90→07-97 | 33 | ATE | 3419-G | 11535 | P-332801 | 2 | 28,2 |
| | ALL TYPES | 06-90→07-97 | 35 | ATE | 3256-G | 10679 | P-352801 | 2 | 28,5 |

CAMPO

| | | | | | | | | | |
|--|-----------|--------|----|---------|----------------|--|--|--|--|
| | ALL TYPES | 08-91→ | 15 | AKEBONO | 30105-G | | | | |
|--|-----------|--------|----|---------|----------------|--|--|--|--|

CASCADA - CABRIO

| | | | | | | | | | |
|--|-----------|--------|----|-----|----------------|--|--|--|--|
| | ALL TYPES | 03-13→ | 10 | ATE | 30083-G | | | | |
|--|-----------|--------|----|-----|----------------|--|--|--|--|

COMBO

| | | | | | | | | | |
|--|---|-------------|------|-------|----------------|-------|----------|---|------|
| | ALL TYPES (-ABS) | 01-94→ | 20,6 | DELCO | 3336-G | | | | |
| | ALL TYPES | 01-90→01-93 | 48 | DELCO | 3097-G | 10541 | P-484301 | 1 | 43,5 |
| | ALL TYPES | 01-94→ | 48 | ATE | 3130-G | 10533 | P-484801 | 1 | 48,8 |
| | ALL TYPES | 01-90→08-93 | 48 | ATE | 4574-G | 10532 | P-484401 | 1 | 44,4 |
| | 1.7 D (HARD BOOT) | 10-01→ | 48 | LUCAS | 4774-G | 10843 | P-485504 | 1 | 55 |
| | ALL TYPES | 01-94→ | 48 | ATE | 6173-G | | | | |
| | ALL TYPES (HARD BOOT) (PHENOLIC PISTON) | 10-01→ | 54 | LUCAS | 4765-G | 10916 | P-545503 | 1 | 55,3 |
| | 1.6 - 1.8 - 1.7D - TI | 10-01→ | 54 | LUCAS | 6011-G | | | | |
| | TOUR | 10-01→ | 57 | ATE | 3391-G | 10582 | P-575501 | 1 | 55,2 |
| | ALL TYPES | 10-01→ | 10 | LUCAS | 30016-G | | | | |
| | ALL TYPES | 01-94→ | 19 | FAG | 3330-G | | | | |
| | ALL TYPES | 07-94→10-01 | 19 | ATE | 3705-G | | | | |
| | ALL TYPES | 09-00→ | 34 | LUCAS | 4695-G | 10516 | P-334601 | 1 | 46,8 |
| | | | | | | 11564 | K-334601 | 1 | 46,8 |
| | ALL TYPES | 10-01→ | 38 | LUCAS | 4442-G | 10520 | P-385101 | 1 | 51 |
| | | | | | | 11651 | K-385101 | 1 | 51 |
| | ALL TYPES | 10-01→ | 10 | LUCAS | 30041-G | | | | |



Master Cylinder



Front Caliper



Front Wheel Cylinder



Clutch Master Cylinder



Front Caliper Guides



Pressure Regulating Valve



Rear Caliper



Rear Wheel Cylinder



Clutch Slave Cylinder



Rear Caliper Guides

Ø
(mm.)

VERSION



OPEL

4 of 11

COMMODORE

| | | | | | | | | |
|--|--------------|-------------|----|-----|---------------|-------|----------|--------|
| | B - C SERIES | 01-72→12-82 | 54 | ATE | 4482-G | | | |
| | C SERIES | 01-78→12-82 | 57 | ATE | 3446-G | 11446 | P-572901 | 2 29,5 |

CORSA (A SERIES)

| | | | | | | | | |
|--|---|-------------|------|-------|----------------|-------|----------|--------|
| | ALL TYPES | 09-82→03-93 | 19 | DELCO | 3254-G | | | |
| | ALL TYPES | 09-82→03-93 | 20,6 | DELCO | 3112-G | | | |
| | ALL TYPES | 09-82→03-93 | 20,6 | DELCO | 3239-G | | | |
| | CC (EXCEPT 1.6 GSI) | 01-82→01-94 | 48 | DELCO | 3097-G | 10530 | P-484301 | 1 43,5 |
| | ALL TYPES | 09-82→03-93 | | | | 10541 | P-484301 | 1 43,5 |
| | ALL TYPES (DISC 12,7MM) | 09-82→ | 48 | ATE | 3130-G | 10533 | P-484801 | 1 48,8 |
| | ALL TYPES (DISC 10MM) | 09-82→03-93 | 48 | ATE | 4574-G | 10532 | P-484401 | 1 44,4 |
| | ALL TYPES | 09-82→09-00 | 48 | ATE | 6173-G | | | |
| | CC 1.6 GSI | 01-88→03-93 | 52 | DELCO | 3115-G | 10560 | P-524301 | 1 43,5 |
| | ALL TYPES | 09-82→ | 23 | DELCO | 10250 | | | |
| | ALL TYPES | 09-82→ | 23 | DELCO | 10250-G | | | |
| | 1.0 S ECONOMY | 09-82→01-90 | 14,3 | FAG | 3515-G | | | |
| | 1.0S (PRESSURE REDUCING VALVE) | 09-82→ | 14,3 | LUCAS | 3704-G | | | |
| | 1.0S - 1.2S - 1.3 - 1.5 (PRESSURE REDUCING VALVE) | 02-86→07-90 | 17,5 | LUCAS | 3072-G | | | |
| | 1.6GSI - E - D - TD | 09-87→03-93 | 17,5 | ATE | 3514-G | | | |
| | ALL TYPES | 09-82→ | 17,5 | FAG | 4149-G | | | |

CORSA (B SERIES)

| | | | | | | | | |
|--|------------------|-------------|------|-------|---------------|-------|----------|--------|
| | ALL TYPES (-ABS) | 03-93→12-02 | 20,6 | DELCO | 3336-G | | | |
| | ALL TYPES | 03-93→ | 48 | ATE | 3130-G | 10533 | P-484801 | 1 48,8 |
| | ALL TYPES | 03-93→ | 48 | ATE | 6173-G | | | |
| | 1.5TD - 1.6GSI | 03-93→ | 19 | FAG | 3330-G | | | |
| | ALL TYPES | 03-93→ | 19 | ATE | 3516-G | | | |
| | WAGON | 03-93→09-00 | 19 | ATE | 3705-G | | | |

CORSA (C SERIES)

| | | | | | | | | |
|--|------------------------------------|-------------|------|-------|----------------|-------|----------|--------|
| | ALL TYPES | 01-00→ | 22,2 | BOSCH | 6102-G | | | |
| | 1.0 - 1.2 - 1.4 - 1.7D (HARD BOOT) | 09-00→12-09 | 48 | LUCAS | 4774-G | 10843 | P-485504 | 1 55 |
| | ALL TYPES | 09-00→ | 54 | LUCAS | 4765-G | 10916 | P-545503 | 1 55,3 |
| | ALL TYPES | 09-00→ | 54 | LUCAS | 6011-G | | | |
| | 1.7 CDTI | 08-03→ | 57 | ATE | 3391-G | 10582 | P-575501 | 1 55,2 |
| | ALL TYPES | 09-00→ | 10 | LUCAS | 30016-G | | | |
| | ALL TYPES | 09-00→ | 19 | FAG | 3330-G | | | |
| | ALL TYPES | 09-00→ | 34 | LUCAS | 4695-G | 10516 | P-334601 | 1 46,8 |
| | ALL TYPES (DISC 10MM) | | | | | 11564 | K-334601 | 1 46,8 |
| | ALL TYPES | 09-00→ | 10 | LUCAS | 30041-G | | | |



Master Cylinder



Front Caliper



Front Wheel Cylinder



Clutch Master Cylinder



Front Caliper Guides



Pressure Regulating Valve



Rear Caliper



Rear Wheel Cylinder



Clutch Slave Cylinder



Rear Caliper Guides

Ø
(mm.)

VERSION



OPEL

5 of 11

CORSA (D SERIES)

| | | | | | | | | | |
|--|-----------------------|--------|----|-------|----------------|-------|------------|---|------|
| | 1.0 - 1.2 - 1.3 - 1.4 | 07-06→ | 54 | BOSCH | 4632-G | 10568 | P-545201 | 1 | 52,5 |
| | 1.7 CDTI | 07-06→ | 57 | BOSCH | 4643-G | 10950 | P-575202 | 1 | 52,5 |
| | ALL TYPES | 07-06→ | 10 | BOSCH | 30014-G | | | | |
| | 1.7 CDTI | 07-06→ | 36 | BOSCH | 6083-G | | | | |
| | 1.7 CDTI | 07-06→ | 36 | BOSCH | 6184-G | 11596 | P-364901 | 1 | 49 |
| | | | | | | 11614 | K-364901-R | 1 | 49 |
| | | | | | | 11613 | K-364901-L | 1 | 49 |
| | ALL TYPES | 07-06→ | 10 | BOSCH | 30081-G | | | | |

DIPLOMAT

| | | | | | | | | | |
|--|----------|-------------|----|-----|---------------|-------|----------|---|------|
| | A SERIES | 03-65→03-69 | 57 | ATE | 3446-G | 11446 | P-572901 | 2 | 29,5 |
|--|----------|-------------|----|-----|---------------|-------|----------|---|------|

FRONTERA

| | | | | | | | | | |
|--|-------------------------|-------------|------|---------|----------------|-------|----------|---|------|
| | A SERIES (→CH.SV720102) | 03-92→10-98 | 23,8 | | 3506-G | | | | |
| | B SERIES | 10-98→ | 25,4 | | 6168-G | | | | |
| | A - B SERIES | 03-92→ | 60 | AKEBONO | 3507-G | | | | |
| | A SERIES | 03-92→10-98 | 60 | AKEBONO | 4271-G | 10980 | P-604601 | 1 | 46,6 |
| | B SERIES | 10-98→ | 60 | AKEBONO | 4272-G | 10981 | P-604601 | 1 | 46,6 |
| | B SERIES | 10-98→ | 11 | AKEBONO | 30087-G | | | | |
| | A SERIES | 03-92→10-98 | 15 | AKEBONO | 30105-G | | | | |
| | A SERIES | 03-92→10-98 | 25,4 | | 3508-G | | | | |
| | A - B SERIES | 03-92→ | 42 | AKEBONO | 4273-G | 10688 | P-414501 | 1 | 45,8 |
| | A - B SERIES | 03-92→ | 8 | AKEBONO | 30005-G | | | | |
| | A SERIES | 03-92→10-98 | 15,9 | | 3509-G | | | | |
| | B SERIES 2.2 - 2.2D | 10-98→ | 19 | | 3999-G | | | | |
| | B SERIES 2.2DTI | 09-02→ | 22,2 | | 6354-G | | | | |
| | A SERIES | 03-92→10-98 | 22,2 | | 3338-G | | | | |
| | B SERIES 2.2 - 2.2D | 10-98→ | | | | | | | |
| | B SERIES 3.2 | 10-98→ | 22,2 | | 3510-G | | | | |

GT

| | | | | | | | | | |
|--|-----------|-------------|----|---------|---------------|-------|----------|---|------|
| | 1100 | 08-67→07-70 | 45 | ATE | 4417-G | | | | |
| | 1900 | 08-67→07-73 | 48 | ATE | 3356-G | 10821 | P-483001 | 2 | 30 |
| | ALL TYPES | 09-06→ | 60 | AKEBONO | 4760-G | | | | |
| | ALL TYPES | 09-06→ | 40 | ATE | 6044-G | 10756 | P-404905 | 1 | 49,7 |
| | | | | | | 11685 | K-404905 | 1 | 49,7 |

INSIGNIA

| | | | | | | | | | |
|--|---------------------------|--------|----|--------|----------------|-------|----------|---|------|
| | 2.8 (4 PISTONS 40-44MM) | 07-09→ | 40 | BREMBO | 4887-G | 11689 | P-443002 | 2 | 30 |
| | | | | | | | P-403005 | 2 | 30 |
| | ALL TYPES (DISC 337X30MM) | 07-08→ | 42 | TRW | 6186-G | 11704 | P-425301 | 1 | 53,2 |
| | ALL TYPES | 07-08→ | 60 | MANDO | 6323-G | | | | |
| | ALL TYPES | 07-08→ | 10 | TRW | 30041-G | | | | |
| | ALL TYPES | 07-08→ | 41 | LUCAS | 4289-G | 10610 | P-415101 | 1 | 51 |
| | | | | | | 11696 | K-415101 | 1 | 51 |
| | ALL TYPES | 07-08→ | 8 | LUCAS | 30004-G | | | | |



Master Cylinder



Front Caliper



Front Wheel Cylinder



Clutch Master Cylinder



Front Caliper Guides



Pressure Regulating Valve



Rear Caliper



Rear Wheel Cylinder



Clutch Slave Cylinder



Rear Caliper Guides

Ø
(mm.)

VERSION



OPEL

6 of 11

KADETT

| | | | | | | | | | |
|--|------------------------------------|-------------|------|-----------|----------------|-------|----------|---|------|
| | B 1.1 - C 1.2 - D 1.0 | 01-67→01-81 | 19 | ATE | 3019-G | | | | |
| | B SERIES 1.1 | 01-65→01-67 | 19 | ATE | 3390-G | | | | |
| | B - D - E SERIES | 09-65→07-94 | 20,6 | DELCO | 3112-G | | | | |
| | C 1.0 - 1.2 - D 1.0 - 1.2 - 1.3 | 01-74→01-82 | 20,6 | ATE - FAG | 3157-G | | | | |
| | E SERIES →CH.J2799968 | 08-84→ | 20,6 | DELCO | 3239-G | | | | |
| | E SERIES →CH.J2799968 | 08-84→ | 20,6 | ATE | 3355-G | | | | |
| | D SERIES 1.2 - 1.3 | 01-83→01-84 | | | | | | | |
| | B - C SERIES 1.0 - 1.2 | 01-67→01-77 | 22,2 | ATE | 3117-G | | | | |
| | E SERIES CH. J2799969→ (-ABS) | 08-84→ | 22,2 | ATE | 3252-G | | | | |
| | E 1.8 - 2.0 GSI (DISC 22,2-23,8MM) | 01-85→01-92 | 22,2 | DELCO | 3525-G | | | | |
| | A - B - C - D - E SERIES | 09-62→ | 23,8 | ATE | 3696-G | | | | |
| | B SERIES | 01-67→08-73 | 44 | ATE | 4258-G | 11766 | P-443001 | 1 | 30,6 |
| | | 09-65→01-67 | | | | 11759 | P-442901 | 2 | 29,5 |
| | B SERIES | 09-65→01-67 | 45 | ATE | 4373-G | | | | |
| | B SERIES | 01-67→01-71 | 45 | ATE | 4417-G | | | | |
| | C SERIES | 08-73→07-79 | 48 | LUCAS | 2643-G | 10615 | P-482901 | 2 | 29 |
| | D (EXCEPT 1.8) - E SERIES | 08-79→07-94 | 48 | DELCO | 3097-G | 10541 | P-484301 | 1 | 43,5 |
| | | | | | | 10530 | P-484301 | 1 | 43,5 |
| | C SERIES | 08-73→07-79 | 48 | ATE | 3356-G | 10821 | P-483001 | 2 | 30 |
| | B SERIES | 01-71→08-73 | 48 | ATE | 4257-G | 10822 | P-483001 | 2 | 30 |
| | D - E SERIES | 08-79→07-94 | 48 | ATE | 4574-G | 10532 | P-484401 | 1 | 44,4 |
| | D 1.8 D - E SERIES | 02-83→07-94 | 52 | DELCO | 3115-G | 10560 | P-524301 | 1 | 43,5 |
| | E SERIES | 09-86→07-94 | 52 | ATE | 3332-G | 10559 | P-524801 | 1 | 48 |
| | D - E SERIES | 08-79→07-94 | 23 | DELCO | 10250 | | | | |
| | D - E SERIES | 08-79→07-94 | 23 | DELCO | 10250-G | | | | |
| | D - E SERIES | 08-79→07-94 | 14,3 | FAG | 3515-G | | | | |
| | E SERIES 1.2 S - 1.3 S | 08-84→07-94 | 14,3 | LUCAS | 3704-G | | | | |
| | B - C SERIES | 09-65→07-79 | 15,9 | FAG | 3503-G | | | | |
| | B - C SERIES | 09-65→07-79 | 15,9 | ATE | 3504-G | | | | |
| | D - E SERIES | 08-79→07-94 | 17,5 | FAG | 4149-G | | | | |
| | D - E SERIES | 08-79→07-94 | 19 | FAG | 3330-G | | | | |
| | B - C - D SERIES | 09-65→08-84 | 19 | ATE | 3705-G | | | | |
| | E SERIES (HARD BOOT) | 08-84→07-94 | 35 | ATE | 3256-G | 10679 | P-352801 | 2 | 28,5 |

MERIVA

| | | | | | | | | | |
|--|---------------|--------|------|-------|----------------|-------|----------|---|------|
| | ALL TYPES | 05-03→ | 23,8 | BOSCH | 6201-G | | | | |
| | 1.4 16V - 1.6 | 05-03→ | 54 | LUCAS | 4765-G | 10916 | P-545503 | 1 | 55,3 |
| | 1.4 16V - 1.6 | 05-03→ | 54 | LUCAS | 6011-G | | | | |
| | ALL TYPES | 05-03→ | 57 | ATE | 3391-G | 10582 | P-575501 | 1 | 55,2 |
| | ALL TYPES | 05-03→ | 57 | ATE | 4983-G | | | | |
| | ALL TYPES | 05-03→ | 36 | LUCAS | 4753-G | 11595 | P-364805 | 1 | 48 |
| | | | | | | 11602 | K-364805 | 1 | 48 |
| | ALL TYPES | 05-03→ | 38 | LUCAS | 4442-G | 10520 | P-385101 | 1 | 51 |
| | | | | | | 11651 | K-385101 | 1 | 51 |
| | ALL TYPES | 05-03→ | 10 | LUCAS | 30041-G | | | | |



Master Cylinder



Front Caliper



Front Wheel Cylinder



Clutch Master Cylinder



Front Caliper Guides



Pressure Regulating Valve



Rear Caliper



Rear Wheel Cylinder



Clutch Slave Cylinder



Rear Caliper Guides

Ø
(mm.)

VERSION



OPEL

7 of 11

MIDI

| | | | | | | | | | |
|--|------------|--|------|--|----------------|--|--|--|--|
| | ALL TYPES | | 22,2 | | 3339-G | | | | |
| | ALL TYPES | | 57 | | 3340-G | | | | |
| | ALL TYPES | | 22,2 | | 3333-G | | | | |
| | ALL TYPES | | 15,9 | | 10198-G | | | | |
| | 2.0 DIESEL | | 19 | | 3335-G | | | | |
| | 2.0 PETROL | | 22,2 | | 3338-G | | | | |

MOKKA

| | | | | | | | | | |
|--|-----------|--------|----|-----|----------------|-------|----------|---|----|
| | ALL TYPES | 06-12→ | 60 | ATE | 6170-G | 11463 | P-605103 | 1 | 51 |
| | ALL TYPES | 06-12→ | 10 | ATE | 30140-G | | | | |
| | ALL TYPES | 06-12→ | 38 | ATE | 6241-G | 11640 | P-384805 | 1 | 48 |
| | ALL TYPES | | | | | 11647 | K-384805 | 1 | 48 |
| | ALL TYPES | 06-12→ | 10 | ATE | 30083-G | | | | |

MONTEREY

| | | | | | | | | | |
|--|--------------|-------------|------|---------|----------------|-------|----------|---|------|
| | A - B SERIES | 09-91→ | 25,4 | | 6168-G | | | | |
| | A - B SERIES | 09-91→ | 60 | AKEBONO | 3507-G | | | | |
| | A - B SERIES | 09-91→ | 60 | AKEBONO | 4272-G | 10981 | P-604601 | 1 | 46,6 |
| | A - B SERIES | 09-91→08-99 | 11 | AKEBONO | 30087-G | | | | |
| | A - B SERIES | 09-91→08-99 | 42 | AKEBONO | 4273-G | 10688 | P-414501 | 1 | 45,8 |
| | A - B SERIES | 09-91→08-99 | 8 | AKEBONO | 30005-G | | | | |
| | A SERIES | 09-91→10-98 | 15,9 | | 3509-G | | | | |
| | A SERIES | 09-91→10-98 | 22,2 | | 3510-G | | | | |

MOVANO

| | | | | | | | | | |
|--|-------------------------------|--------|------|--------|----------------|-------|------------|---|------|
| | A SERIES | 07-98→ | 23,8 | BOSCH | 4685-G | | | | |
| | A SERIES | 07-98→ | 45 | BOSCH | 4664-G | 10811 | P-455101 | 2 | 51 |
| | B SERIES | 05-10→ | 48 | BREMBO | 6288-G | 11793 | P-485506 | 2 | 55,5 |
| | B SERIES | 05-10→ | 18 | BREMBO | 30117-G | | | | |
| | A SERIES | 07-98→ | 20 | BOSCH | 30118-G | | | | |
| | A SERIES | 07-98→ | 42 | BOSCH | 4662-G | 10772 | P-425103 | 1 | 51 |
| | | | | | | 11720 | K-425103-R | 1 | 51 |
| | | | | | | 11719 | K-425103-L | 1 | 51 |
| | B SERIES - SINGLE REAR WHEELS | 05-10→ | 48 | BREMBO | 6149-G | 11795 | P-485303 | 1 | 53,5 |
| | | | | | | 11843 | K-485303 | 1 | 53,5 |
| | B SERIES - TWIN REAR WHEELS | 05-10→ | 60 | BREMBO | 6327-G | 11473 | P-605401 | 1 | 54 |
| | | | | | | 11845 | K-605401 | 1 | 54 |
| | A SERIES | 07-98→ | 10 | BOSCH | 30014-G | | | | |
| | B SERIES (SINGLE REAR WHEELS) | 05-10→ | 18 | BREMBO | 30117-G | | | | |

OLYMPIA

| | | | | | | | | | |
|--|-------|-------------|----|-----|---------------|-------|----------|---|------|
| | A 1.1 | 08-66→07-70 | 44 | ATE | 4258-G | 11766 | P-443001 | 1 | 30,6 |
|--|-------|-------------|----|-----|---------------|-------|----------|---|------|



Master Cylinder



Front Caliper



Front Wheel Cylinder



Clutch Master Cylinder



Front Caliper Guides



Pressure Regulating Valve



Rear Caliper



Rear Wheel Cylinder



Clutch Slave Cylinder



Rear Caliper Guides

Ø
(mm.)

VERSION



OPEL

8 of 11

OMEGA

| | | | | | | | | | |
|--|---|-------------|------|-------|---------------|-------|----------|---|------|
| | A SERIES (ABS) | 09-86→05-94 | 19 | ATE | 3253-G | | | | |
| | A SERIES (ABS) | 09-86→05-94 | 19 | DELCO | 4115-G | | | | |
| | A SERIES 2.6 - 3.0 | 09-86→05-94 | 20,6 | ATE | 4676-G | | | | |
| | B SERIES 2.0 - 2.0 16V (SOFT BOOT) | 03-94→07-03 | 54 | ATE | 3073-G | 11386 | P-545302 | 1 | 53,1 |
| | A SERIES (EXCEPT 2.6i - 3.0i) (SOFT BOOT) | 09-86→05-94 | | | | 11385 | P-544803 | 1 | 48 |
| | A SERIES (HARD BOOT) | 09-86→05-94 | 54 | DELCO | 3517-G | 10562 | P-544301 | 1 | 43,5 |
| | B SERIES | 03-94→07-03 | 57 | LUCAS | 3481-G | 10580 | P-575401 | 1 | 54,8 |
| | A SERIES | 09-86→05-94 | 57 | LUCAS | 3512-G | 10941 | P-575401 | 1 | 54,8 |
| | A SERIES | 09-86→05-94 | 23 | DELCO | 10250 | | | | |
| | A SERIES (HARD BOOT) | 05-86→05-94 | 35 | ATE | 3256-G | 10679 | P-352801 | 2 | 28,5 |
| | A SERIES | 09-86→05-94 | 38 | ATE | 3831-G | 10743 | P-382903 | 2 | 29,3 |
| | A - B SERIES | 09-86→07-03 | 40 | ATE | 3513-G | 11667 | P-403204 | 2 | 32 |
| | B SERIES | 03-94→07-03 | 42 | ATE | 4646-G | 11706 | P-423101 | 2 | 31,8 |

RASCAL

| | | | | | | | | | |
|--|-----------|--|------|--------|---------------|--|--|--|--|
| | ALL TYPES | | 20,6 | ATE | 3505-G | | | | |
| | ALL TYPES | | 51 | TOKICO | 3337-G | | | | |
| | ALL TYPES | | 15,9 | | 3334-G | | | | |

REKORD

| | | | | | | | | | |
|--|--------------------------------|-------------|------|-----------|----------------|-------|----------|---|------|
| | B - C SERIES | 01-65→12-71 | 17,5 | | 4604-G | | | | |
| | C SERIES | 08-66→12-71 | 19 | ATE | 10215-G | | | | |
| | D SERIES | 01-72→08-77 | 19 | ATE | 3373-G | | | | |
| | C - D - E SERIES | 08-66→12-95 | 20,6 | ATE - FAG | 3157-G | | | | |
| | D SERIES | 01-72→08-77 | 20,6 | DELCO | 3239-G | | | | |
| | E SERIES | 08-77→12-95 | 20,6 | DELCO | 3953-G | | | | |
| | E SERIES | 08-77→12-95 | 22,2 | ATE | 3117-G | | | | |
| | C SERIES 1.9 L | 08-66→12-71 | 23,8 | ATE - FAG | 3176-G | | | | |
| | A - B - C SERIES | 01-65→03-67 | 45 | ATE | 4417-G | | | | |
| | E SERIES | 01-77→01-86 | 48 | LUCAS | 2643-G | 10615 | P-482901 | 2 | 29 |
| | E SERIES | 08-77→12-95 | 48 | DELCO | 3097-G | 10541 | P-484301 | 1 | 43,5 |
| | | 01-77→ | | | | 10530 | P-484301 | 1 | 43,5 |
| | E SERIES | 08-77→08-86 | 48 | ATE | 3356-G | 10531 | P-484401 | 2 | 44,4 |
| | D - E SERIES 1.7 - 2.0D SERIES | 01-72→12-95 | | | | 10821 | P-483001 | 2 | 30 |
| | C SERIES (CH.4587478→) | 08-66→12-71 | 48 | ATE | 4257-G | 10822 | P-483001 | 2 | 30 |
| | E SERIES | 01-77→01-87 | 48 | ATE | 4574-G | 10532 | P-484401 | 1 | 44,4 |
| | E SERIES | 01-77→ | 52 | DELCO | 3115-G | 10560 | P-524301 | 1 | 43,5 |
| | E SERIES (SOFT BOOT) | 01-77→ | 52 | ATE | 4263-G | 11363 | P-524401 | 1 | 44,2 |
| | C SERIES SPRINT (2 PISTONS) | 01-67→01-71 | 54 | ATE | 4482-G | | | | |
| | E SERIES | 08-77→12-85 | 23 | DELCO | 10250 | | | | |
| | C SERIES | 08-66→12-71 | 15,9 | FAG | 3503-G | | | | |
| | D - E SERIES | 01-72→08-77 | 19 | DELCO | 3184-G | | | | |
| | D - E SERIES | 01-72→08-77 | 19 | FAG | 3330-G | | | | |
| | C - D - E SERIES | 08-66→12-85 | 19 | ATE | 3705-G | | | | |
| | D - E SERIES | 01-72→12-95 | 22,2 | DELCO | 4156-G | | | | |



Master Cylinder



Front Caliper



Front Wheel Cylinder



Clutch Master Cylinder



Front Caliper Guides



Pressure Regulating Valve



Rear Caliper



Rear Wheel Cylinder



Clutch Slave Cylinder



Rear Caliper Guides

Ø
(mm.)

VERSION



OPEL

9 of 11

SENATOR - MONZA

| | | | | | | | | | |
|--|--------------------------|-------------|------|-------|---------------|-------|----------|---|------|
| | B SERIES 2.5 - 2.6 - 3.0 | 09-87→09-93 | 20,6 | ATE | 4676-G | | | | |
| | A SERIES 2.0E | 02-78→08-87 | 48 | ATE | 4574-G | 10532 | P-484401 | 1 | 44,4 |
| | A SERIES (2 PISTONS) | 02-78→08-87 | 54 | ATE | 4482-G | | | | |
| | A SERIES 2.0 - 2.5 - 3.0 | 02-78→08-87 | 57 | ATE | 3446-G | 11446 | P-572901 | 2 | 29,5 |
| | B SERIES | 09-87→09-93 | 57 | LUCAS | 3481-G | 10580 | P-575401 | 1 | 54,8 |
| | B SERIES | 09-87→09-93 | 57 | LUCAS | 3512-G | 10941 | P-575401 | 1 | 54,8 |
| | A - B SERIES | 02-78→09-93 | 60 | ATE | 3133-G | 10591 | P-604801 | 1 | 47,8 |
| | A SERIES | 02-78→08-87 | 38 | ATE | 3451-G | 10603 | P-382901 | 2 | 29,9 |
| | B SERIES | 09-87→09-93 | 38 | ATE | 3831-G | 10743 | P-382903 | 2 | 29,3 |
| | B SERIES | 09-87→09-93 | 40 | ATE | 3513-G | 10758 | P-402901 | 2 | 29 |
| | A SERIES | 02-78→09-87 | 40 | ATE | 4325-G | 11679 | P-403003 | 2 | 30 |

SIGNUM

| | | | | | | | | | |
|--|---|--------|------|-------|---------------|-------|----------|---|------|
| | ALL TYPES | 05-03→ | 25,4 | LUCAS | 4570-G | | | | |
| | ALL TYPES EXCEPT 2.8 V6 TURBO (HARD BOOT) | 05-03→ | 57 | ATE | 4768-G | 11423 | P-575505 | 1 | 55,7 |
| | 2.8 V6 TURBO | 09-05→ | | | | 10932 | P-575503 | 1 | 55,5 |
| | SPORT CHASSIS | 08-05→ | 60 | ATE | 4565-G | 11457 | P-605603 | 1 | 56 |
| | 2.8 V6 TURBO - 3.2V6 | | | | | 10969 | P-605501 | 1 | 55,5 |
| | ALL TYPES | 05-03→ | 38 | ATE | 4797-G | 10667 | P-384902 | 1 | 49,7 |
| | | | | | | 11646 | K-384902 | 1 | 49,7 |
| | ALL TYPES | 05-03→ | 40 | ATE | 6044-G | 10756 | P-404905 | 1 | 49,7 |
| | | | | | | 11685 | K-404905 | 1 | 49,7 |

SINTRA

| | | | | | | | | | |
|--|-----------|--------|------|--------------|---------------|-------|----------|---|------|
| | 2.2 - 3.0 | | 25,4 | | 4140-G | | | | |
| | 2.2 - 3.0 | | 63 | KELSEY-HAYES | 4308-G | 11481 | P-635901 | 1 | 59,5 |
| | 2.2 - 3.0 | 11-96→ | 38 | | 4307-G | 11128 | P-384602 | 1 | 46 |

TIGRA

| | | | | | | | | | |
|--|------------------|-------------|------|-------|----------------|-------|----------|---|------|
| | ALL TYPES (-ABS) | 07-94→01-01 | 20,6 | DELCO | 3336-G | | | | |
| | ALL TYPES | 07-94→01-01 | 48 | ATE | 3130-G | 10533 | P-484801 | 1 | 48,8 |
| | ALL TYPES | 07-94→01-01 | 48 | ATE | 6173-G | | | | |
| | TWINTOP | 06-04→ | 54 | LUCAS | 4765-G | 10916 | P-545503 | 1 | 55,3 |
| | TWINTOP | 06-04→ | 10 | LUCAS | 30016-G | | | | |
| | ALL TYPES | 07-94→01-01 | 19 | ATE | 3516-G | | | | |
| | ALL TYPES | 06-04→ | 34 | LUCAS | 4695-G | 10516 | P-334601 | 1 | 46,8 |
| | | | | | | 11564 | K-334601 | 1 | 46,8 |
| | ALL TYPES | 06-04→ | 10 | LUCAS | 30041-G | | | | |



Master Cylinder



Front Caliper



Front Wheel Cylinder



Clutch Master Cylinder



Front Caliper Guides



Pressure Regulating Valve



Rear Caliper



Rear Wheel Cylinder



Clutch Slave Cylinder



Rear Caliper Guides

Ø
(mm.)

VERSION



OPEL

10 of 11

VECTRA

| | | | | | | | | | |
|--|---|-------------|------|-------|---------------|-------|----------|---|------|
| | A SERIES (-ABS) | 04-88→11-95 | 20,6 | DELCO | 3336-G | | | | |
| | A - B SERIES (-ABS) | 04-88→07-03 | 22,2 | ATE | 3252-G | | | | |
| | A SERIES (-ABS) | 04-88→11-95 | 22,2 | DELCO | 3525-G | | | | |
| | A SERIES 2.0 TURBO - 2.5 (ABS) | 01-92→11-95 | 23,8 | ATE | 3982-G | | | | |
| | B - C SERIES | 09-95→ | 25,4 | LUCAS | 4570-G | | | | |
| | B SERIES | 09-95→07-03 | 25,4 | ATE | 4830-G | | | | |
| | A SERIES (DISC 20MM) | 04-88→11-95 | 48 | ATE | 3130-G | 10533 | P-484801 | 1 | 48,8 |
| | A SERIES (DISC 12,7MM) | 04-88→11-95 | 48 | ATE | 4574-G | 10532 | P-484401 | 1 | 44,4 |
| | A SERIES | 04-88→11-95 | 48 | ATE | 6173-G | | | | |
| | A - B SERIES | 04-88→ | 52 | ATE | 3332-G | 10559 | P-524801 | 1 | 48 |
| | A - B SERIES 2.0T - 2.5V6 | 04-88→ | 54 | ATE | 3073-G | 11386 | P-545302 | 1 | 53,1 |
| | A SERIES (4WD) | 04-88→11-95 | | | | 11385 | P-544803 | 1 | 48 |
| | B SERIES (SOFT CALIPER BOOT) | 09-95→09-00 | 57 | ATE | 3391-G | 10582 | P-575501 | 1 | 55,2 |
| | B - C SERIES EXCEPT 2.8 - 3.2 (HARD BOOT) | 09-00→ | 57 | ATE | 4768-G | 11423 | P-575505 | 1 | 55,7 |
| | C SERIES 2.8 | 08-05→ | | | | 10932 | P-575503 | 1 | 55,5 |
| | B SERIES | 09-95→09-00 | 57 | ATE | 4983-G | | | | |
| | C SERIES 3.2 (HARD BOOT) | 04-02→ | 60 | ATE | 4565-G | 11457 | P-605603 | 1 | 56 |
| | C SERIES 2.8 (HARD BOOT) | 08-05→ | | | | 10969 | P-605501 | 1 | 55,5 |
| | A SERIES | 04-88→11-95 | 19 | FAG | 3330-G | | | | |
| | A SERIES | 04-88→11-95 | 19 | ATE | 3516-G | | | | |
| | A - B SERIES (4WD) | 04-88→07-97 | 33 | ATE | 3419-G | 11535 | P-332801 | 2 | 28,2 |
| | A - B SERIES (HARD BOOT) | 04-88→07-03 | 35 | ATE | 3256-G | 10679 | P-352801 | 2 | 28,5 |
| | B SERIES | 09-95→07-03 | 36 | ATE | 4382-G | 10678 | P-352801 | 2 | 28,5 |
| | B - C SERIES | 09-95→ | 38 | ATE | 4797-G | 10667 | P-384902 | 1 | 49,7 |
| | | | | | | 11646 | K-384902 | 1 | 49,7 |
| | C SERIES | 04-02→ | 40 | ATE | 6044-G | 10756 | P-404905 | 1 | 49,7 |
| | | | | | | 11685 | K-404905 | 1 | 49,7 |

VIVARO

| | | | | | | | | | |
|--|-----------|--------|------|-------|----------------|-------|----------|---|----|
| | 1.9D | 01-01→ | 20,6 | LUCAS | 4788-G | | | | |
| | ALL TYPES | 01-01→ | 40 | LUCAS | 4755-G | 10608 | P-455301 | 1 | 53 |
| | | | | | | | P-405301 | 1 | 53 |
| | ALL TYPES | 01-06→ | 40 | TRW | 6095-G | | | | |
| | ALL TYPES | 01-01→ | 10 | LUCAS | 30078-G | | | | |
| | ALL TYPES | 01-01→ | 41 | LUCAS | 4289-G | 10610 | P-415101 | 1 | 51 |
| | | | | | | 11696 | K-415101 | 1 | 51 |
| | ALL TYPES | 01-01→ | 41 | LUCAS | 6031-G | | | | |
| | ALL TYPES | 01-01→ | 8 | LUCAS | 30004-G | | | | |



Master Cylinder



Front Caliper



Front Wheel Cylinder



Clutch Master Cylinder



Front Caliper Guides



Pressure Regulating Valve



Rear Caliper



Rear Wheel Cylinder



Clutch Slave Cylinder



Rear Caliper Guides



∅
(mm.)

VERSION



OPEL

11 of 11

ZAFIRA

| | | | | | | | | | |
|--|--------------|-------------|------|-------|----------------|-------|----------|---|------|
| | A SERIES | 04-99→06-05 | 23,8 | LUCAS | 4682-G | | | | |
| | A SERIES | 04-99→06-05 | 52 | ATE | 4671-G | 10877 | P-525601 | 1 | 56,8 |
| | B - C SERIES | 06-05→ | 57 | ATE | 3391-G | 10582 | P-575501 | 1 | 55,2 |
| | B - C SERIES | 06-05→ | 57 | ATE | 4983-G | | | | |
| | C SERIES | 10-11→ | 10 | ATE | 30140-G | | | | |
| | A SERIES | 04-99→06-05 | 34 | BOSCH | 4517-G | 10645 | P-344701 | 1 | 47 |
| | | | | | | 11570 | K-344701 | 1 | 47 |
| | C SERIES | 10-11→ | 34 | LUCAS | 4695-G | 10516 | P-334601 | 1 | 46,8 |
| | | | | | | 11564 | K-334601 | 1 | 46,8 |
| | A SERIES | 04-99→06-05 | 36 | BOSCH | 4519-G | 10647 | P-364701 | 1 | 47 |
| | | | | | | 11604 | K-364701 | 1 | 47 |
| | A SERIES | 04-99→06-05 | 36 | LUCAS | 4753-G | 11595 | P-364805 | 1 | 48 |
| | | | | | | 11602 | K-364805 | 1 | 48 |
| | A SERIES | 04-99→06-05 | 38 | LUCAS | 4442-G | 10520 | P-385101 | 1 | 51 |
| | | | | | | 11651 | K-385101 | 1 | 51 |
| | A SERIES | 04-99→06-05 | 38 | BOSCH | 4636-G | 10663 | P-384702 | 1 | 47 |
| | | | | | | 11655 | K-384702 | 1 | 47 |
| | C SERIES | 10-11→ | 38 | ATE | 6241-G | 11640 | P-384805 | 1 | 48 |
| | | | | | | 11647 | K-384805 | 1 | 48 |
| | C SERIES | 10-11→ | 40 | ATE | 6247-G | 11197 | P-404803 | 1 | 48 |
| | | | | | | 11686 | K-404803 | 1 | 48 |
| | B - C SERIES | 06-05→ | 41 | LUCAS | 4289-G | 10610 | P-415101 | 1 | 51 |
| | | | | | | 11696 | K-415101 | 1 | 51 |
| | A SERIES | 04-99→06-05 | 7 | BOSCH | 30000-G | | | | |
| | A - B SERIES | 04-99→ | 10 | LUCAS | 30041-G | | | | |
| | C SERIES | 10-11→ | 10 | ATE | 30083-G | | | | |



Master Cylinder



Front Caliper



Front Wheel Cylinder



Clutch Master Cylinder



Front Caliper Guides



Pressure Regulating Valve



Rear Caliper



Rear Wheel Cylinder



Clutch Slave Cylinder



Rear Caliper Guides

Ø
(mm.)

VERSION



PEUGEOT

1 of 13

1007

| | | | | | | | | | |
|--|-----------|--------|------|-------|----------------|-------|----------|---|------|
| | ALL TYPES | 04-05→ | 22,2 | LUCAS | 4792-G | | | | |
| | ALL TYPES | 04-05→ | 54 | BOSCH | 4632-G | 10911 | P-545102 | 1 | 51,5 |
| | ALL TYPES | 04-05→ | 10 | BOSCH | 30014-G | | | | |
| | ALL TYPES | 04-05→ | 38 | LUCAS | 4442-G | 10520 | P-385101 | 1 | 51 |
| | ALL TYPES | 04-05→ | 8 | LUCAS | 30004-G | 11651 | K-385101 | 1 | 51 |
| | ALL TYPES | 04-05→ | 19 | FAG | 4821-G | | | | |

104

| | | | | | | | | | |
|--|----------------------------------|-------------|------|----------------|---------------|-------|----------|---|----|
| | ALL TYPES (DOBLE CIRCUIT) | 01-80→ | 19 | BEDNIX - BOSCH | 3042-G | | | | |
| | ALL TYPES (DOBLE CIRCUIT) | 01-75→01-80 | 19 | BEDNIX - BOSCH | 3078-G | | | | |
| | ALL TYPES (SIMPLE CIRCUIT) | 01-73→01-75 | 19 | BEDNIX - BOSCH | 4659-G | | | | |
| | 1.1 - 1.2 - 1.4 (2 PISTONS) | 01-79→01-83 | 45 | CITROËN | 3099-G | | | | |
| | ALL TYPES | | 48 | BEDNIX - BOSCH | 3038-G | 10835 | P-484402 | 1 | 44 |
| | ALL TYPES | | 48 | ATE | 3079-G | | | | |
| | 1.1 | 01-79→01-88 | 20,6 | LUCAS | 3031-G | | | | |
| | ALL TYPES | 01-76→ | 20,6 | BEDNIX - BOSCH | 3101-G | | | | |
| | ALL TYPES (RUBBER CUP TYPE) | 01-76→ | 22,2 | BEDNIX - BOSCH | 2670-G | | | | |
| | ALL TYPES | 01-76→ | 22,2 | LUCAS | 3080-G | | | | |
| | ALL TYPES (RUBBER CUP/SEAL TYPE) | 01-76→ | 22,2 | BEDNIX - BOSCH | 3126-G | | | | |
| | ALL TYPES (RUBBER CUP TYPE) | | 23,8 | BEDNIX - BOSCH | 2594-G | | | | |

106

| | | | | | | | | | |
|--|--|-------------|------|----------------|----------------|-------|----------|---|------|
| | ALL TYPES | 08-91→ | 19 | BEDNIX - BOSCH | 3179-G | | | | |
| | ALL TYPES | 08-91→ | 19 | ATE | 3212-G | | | | |
| | ALL TYPES (ALUMINIUM BODY) | 01-96→ | 19 | BEDNIX - BOSCH | 3487-G | | | | |
| | ALL TYPES | 08-91→ | 20,6 | BEDNIX - BOSCH | 3127-G | | | | |
| | ALL TYPES | 08-91→ | 20,6 | ATE | 3243-G | | | | |
| | ALL TYPES (ABS) | 08-91→04-96 | 20,6 | BEDNIX - BOSCH | 3486-G | | | | |
| | ALL TYPES (-ABS) | 04-96→ | 20,6 | BEDNIX - BOSCH | 3488-G | | | | |
| | ALL TYPES (-ABS) | 08-91→ | 45 | ATE | 4275-G | 10997 | P-455001 | 1 | 50,3 |
| | ALL TYPES | 08-91→ | 48 | ATE | 3130-G | 10533 | P-484801 | 1 | 48,8 |
| | ALL TYPES (ABS) | 08-91→ | 48 | BEDNIX - BOSCH | 3221-G | 10534 | P-484902 | 1 | 49 |
| | ALL TYPES | 08-91→ | 48 | ATE | 6173-G | | | | |
| | ALL TYPES (ABS) | 08-91→ | 20 | BEDNIX - BOSCH | 30038-G | | | | |
| | I - II SERIES (-ABS) | 08-91→ | 20 | ATE | 30120-G | | | | |
| | ALL TYPES (PRESSURE REDUCING VALVE) | 08-91→ | 19 | BEDNIX - BOSCH | 3251-G | | | | |
| | XN - XR - XT - 1.0 - 1.1 (PRESSURE REDUCING VALVE) | | 19 | BEDNIX - BOSCH | 3376-G | | | | |
| | ALL TYPES | 08-91→ | 19 | BEDNIX - BOSCH | 3433-G | | | | |
| | ALL TYPES (ABS) | 04-96→ | 20,6 | LUCAS | 3031-G | | | | |
| | ALL TYPES | 04-96→ | 30 | BEDNIX - BOSCH | 3317-G | 10639 | P-303801 | 1 | 38,5 |
| | ALL TYPES | 04-96→ | 30 | BEDNIX - BOSCH | 3317-G | 11511 | K-303801 | 1 | 38,5 |
| | II SERIES | 04-96→ | 20 | BEDNIX - BOSCH | 30038-G | | | | |



Master Cylinder



Front Caliper



Front Wheel Cylinder



Clutch Master Cylinder



Front Caliper Guides



Pressure Regulating Valve



Rear Caliper



Rear Wheel Cylinder



Clutch Slave Cylinder



Rear Caliper Guides

Ø
(mm.)

VERSION



PEUGEOT

2 of 13

107

| | | | | | | | | |
|--|-----------|--------|------|-------|----------------|-------|----------|--------|
| | ALL TYPES | 06-05→ | 20,6 | BOSCH | 4928-G | | | |
| | ALL TYPES | 06-05→ | 48 | BOSCH | 4645-G | 10841 | P-485203 | 1 52,5 |
| | ALL TYPES | 06-05→ | 10 | BOSCH | 30015-G | | | |
| | ALL TYPES | 06-05→ | 17,5 | BOSCH | 4909-G | | | |

2008

| | | | | | | | | |
|--|-----------|--------|---|-------|----------------|--|--|--|
| | ALL TYPES | 03-13→ | 8 | LUCAS | 30004-G | | | |
|--|-----------|--------|---|-------|----------------|--|--|--|

204

| | | | | | | | | |
|--|----------------------------|-------------|------|----------------|----------------|-------|----------|------|
| | ALL TYPES | 01-66→01-75 | 19 | BEDNIX - BOSCH | 10146 | | | |
| | ALL TYPES (SIMPLE CIRCUIT) | 01-66→01-69 | 19 | BEDNIX - BOSCH | 2766-GV | | | |
| | ALL TYPES (DOBLE CIRCUIT) | 01-75→ | 19 | BEDNIX - BOSCH | 3042-G | | | |
| | ALL TYPES (SIMPLE CIRCUIT) | 01-69→01-75 | 19 | | 3131-G | | | |
| | ALL TYPES (2 PISTONS) | | 48 | BEDNIX - BOSCH | 10150-G | | | |
| | ALL TYPES | 01-65→01-77 | 48 | LUCAS | 2643-G | 10615 | P-482901 | 2 29 |
| | ALL TYPES | 01-75→ | 19 | BEDNIX - BOSCH | 10168-G | | | |
| | ALL TYPES | 01-75→ | 22,2 | LUCAS | 3080-G | | | |
| | ALL TYPES | 01-75→ | 23,8 | BEDNIX - BOSCH | 10173-G | | | |
| | ALL TYPES | | 19 | BEDNIX - BOSCH | 10153 | | | |
| | ALL TYPES | | 19 | BEDNIX - BOSCH | 3035-G | | | |
| | ALL TYPES | | 27 | BEDNIX - BOSCH | 10120 | | | |
| | ALL TYPES | →01-73 | 27 | BEDNIX - BOSCH | 4898-G | | | |
| | ALL TYPES | | 30 | BEDNIX - BOSCH | 10123 | | | |

205

| | | | | | | | | |
|--|---|-------------|------|----------------|----------------|-------|----------|--------|
| | I SERIES (-SERVO) | 02-83→10-87 | 19 | ATE | 3019-G | | | |
| | I - II SERIES | 02-83→09-98 | 19 | ATE | 3212-G | | | |
| | I - II SERIES | 02-83→09-98 | 19 | LUCAS | 3308-G | | | |
| | I SERIES (-SERVO) | 02-83→10-87 | 19 | BEDNIX - BOSCH | 4320-G | | | |
| | II SERIES (4 CONNECTION) | 04-86→09-98 | 20,6 | BEDNIX - BOSCH | 3127-G | | | |
| | I - II SERIES | 02-83→09-98 | 20,6 | ATE | 3243-G | | | |
| | I - II SERIES (ABS) | 02-83→09-98 | 20,6 | BEDNIX - BOSCH | 3486-G | | | |
| | I SERIES (3 CONNECTION) | 02-83→10-87 | 22,2 | BEDNIX - BOSCH | 3281-G | | | |
| | I - II SERIES (DISC 10MM) | 02-83→09-98 | 48 | ATE - LUCAS | 3125-G | 10538 | P-485302 | 1 53,6 |
| | I - II SERIES | 02-83→09-98 | 48 | ATE | 3130-G | 10533 | P-484801 | 1 48,8 |
| | I - II SERIES | 02-83→09-98 | 48 | BEDNIX - BOSCH | 3221-G | 10534 | P-484902 | 1 49 |
| | II SERIES GTI (VENTILATED DISCS 20MM) | 04-86→09-98 | 48 | LUCAS | 3359-G | 10540 | P-485302 | 1 53,6 |
| | I - II SERIES | 02-83→09-98 | 48 | ATE | 6173-G | | | |
| | I SERIES 1.6 GTI | 02-83→10-87 | 54 | BEDNIX - BOSCH | 3498-G | 10894 | P-544903 | 1 49 |
| | II SERIES GTI | 04-86→09-98 | 12 | LUCAS | 30089-G | | | |
| | I - II SERIES | 02-83→09-98 | 20 | BEDNIX - BOSCH | 30038-G | | | |
| | I - II SERIES EXCEPT GTI | 02-83→09-98 | 24 | LUCAS | 10256 | | | |
| | I - II SERIES (PRESSURE REDUCING VALVE) | 02-83→09-98 | 19 | LUCAS | 3128-G | | | |
| | I - II SERIES (PRESSURE REDUCING VALVE) | 02-83→09-98 | 19 | BEDNIX - BOSCH | 3251-G | | | |
| | I - II SERIES | 02-83→09-98 | 30 | BEDNIX - BOSCH | 3317-G | 10639 | P-303801 | 1 38,5 |
| | | | | | | 11511 | K-303801 | 1 38,5 |
| | TURBO 16V | 02-83→01-91 | 50 | BEDNIX - BOSCH | 4469-G | | | |
| | I - II SERIES | 02-83→09-98 | 20 | BEDNIX - BOSCH | 30038-G | | | |



Master Cylinder



Front Caliper



Front Wheel Cylinder



Clutch Master Cylinder



Front Caliper Guides



Pressure Regulating Valve



Rear Caliper



Rear Wheel Cylinder



Clutch Slave Cylinder



Rear Caliper Guides

Ø
(mm.)

VERSION



PEUGEOT

3 of 13

206

| | | | | | | | | | |
|--|---|-------------|------|----------------|----------------|-------|----------|---|------|
| | ALL TYPES | 08-98→ | 20,6 | BEDNIX - BOSCH | 3488-G | | | | |
| | ALL TYPES (-ABS) | 08-98→ | 22,2 | ATE | 4101-G | | | | |
| | ALL TYPES | 08-98→ | 22,2 | BEDNIX - BOSCH | 4102-G | | | | |
| | 1.1i - 1.4i - 1.6i - 1.9D (HARD BOOT) | 09-98→03-01 | 48 | BOSCH | 4288-G | 10549 | P-485002 | 1 | 50,5 |
| | 206+ SERIES | 04-09→ | 48 | BOSCH | 4645-G | 10842 | P-485001 | 1 | 50 |
| | 206 SW 1.1 - 1.4 | 07-02→ | | | | | P-485001 | 1 | 50 |
| | 1.1i - 1.4i - 1.4HDI - 1.6i - 1.9D (HARD BOOT) | 03-01→ | | | | | P-485001 | 1 | 50 |
| | 1.6 16V - 2.0 S16 - 2.0HDI | 09-98→11-00 | 54 | BOSCH | 3639-G | 10578 | P-545001 | 1 | 50,5 |
| | 206 SW 1.6 - 2.0 | 07-02→ | 54 | BOSCH | 4632-G | 10568 | P-545201 | 1 | 52,5 |
| | 1.6 16V - 2.0 S16 - 2.0HDI | 09-01→ | | | | | P-545201 | 1 | 52,5 |
| | | 11-00→09-01 | | | | 10912 | P-545001 | 1 | 50,5 |
| | 1.1i - 1.4i - 1.6i - 1.9D (VENTILATED DISCS) | 09-98→03-01 | 7 | BOSCH | 30000-G | | | | |
| | SW (CALIPER 54MM) | 07-02→ | 10 | BOSCH | 30014-G | | | | |
| | 1.6 16V - 2.0 S16 - 2.0HDI | 11-00→ | | | | | | | |
| | SW (CALIPER 48MM) | 07-02→ | 10 | BOSCH | 30015-G | | | | |
| | 1.6 16V - 2.0 S16 - 2.0HDI | 09-98→11-00 | | | | | | | |
| | 206+ SERIES | 04-09→ | | | | | | | |
| | 1.1i - 1.4i - 1.6i - 1.9D (SOLID DISCS) | 09-98→03-01 | 12 | BOSCH | 30092-G | | | | |
| | ALL TYPES (PRESSURE REDUCING VALVE) | | 19 | BEDNIX - BOSCH | 3433-G | | | | |
| | DIESEL (PRESSURE REDUCING VALVE) | | 19 | BEDNIX - BOSCH | 4248-G | | | | |
| | ALL TYPES (ABS-PRV) | | 20,6 | LUCAS | 3031-G | | | | |
| | 1.1 - 1.4 - 1.6 - 2.0 (PRESSURE REDUCING VALVE) | | 20,6 | BEDNIX - BOSCH | 3326-G | | | | |
| | ALL TYPES | 08-98→ | 30 | BEDNIX - BOSCH | 3317-G | 10639 | P-303801 | 1 | 38,5 |
| | | | | | | 11511 | K-303801 | 1 | 38,5 |
| | ALL TYPES | 08-98→ | 20 | BEDNIX - BOSCH | 30038-G | | | | |
| | 1.6HDI | 01-04→ | 19 | FAG | 4819-G | | | | |

207

| | | | | | | | | | |
|--|--------------|--------|------|----------------|----------------|-------|------------|---|------|
| | ALL TYPES | 02-06→ | 54 | BOSCH | 4632-G | 10911 | P-545102 | 1 | 51,5 |
| | 1.6 16V | 01-07→ | 57 | ATE | 4768-G | 10589 | P-575504 | 1 | 55,4 |
| | ALL TYPES | 02-06→ | 10 | BOSCH | 30014-G | | | | |
| | 1.4 - 1.4HDI | 01-06→ | 20,6 | BEDNIX - BOSCH | 3375-G | | | | |
| | 1.6 | 02-06→ | 38 | LUCAS | 4442-G | 10520 | P-385101 | 1 | 51 |
| | | | | | | 11651 | K-385101 | 1 | 51 |
| | ALL TYPES | 02-06→ | 38 | BOSCH | 4858-G | 10631 | P-384901 | 1 | 49 |
| | | | | | | 11617 | K-384901-R | 1 | 49 |
| | | | | | | 11616 | K-384901-L | 1 | 49 |
| | ALL TYPES | 02-06→ | 38 | BOSCH | 4990-G | | | | |
| | 1.6 | 02-06→ | 8 | LUCAS | 30004-G | | | | |
| | ALL TYPES | 02-06→ | 10 | BOSCH | 30057-G | | | | |

208

| | | | | | | | | | |
|--|-----------|--------|----|-------|----------------|--|--|--|--|
| | ALL TYPES | 03-12→ | 10 | BOSCH | 30014-G | | | | |
| | ALL TYPES | 03-12→ | 8 | LUCAS | 30004-G | | | | |



Master Cylinder



Front Caliper



Front Wheel Cylinder



Clutch Master Cylinder



Front Caliper Guides



Pressure Regulating Valve



Rear Caliper



Rear Wheel Cylinder



Clutch Slave Cylinder



Rear Caliper Guides

Ø
(mm.)

VERSION



PEUGEOT

4 of 13

3008

| | | | | | | | | | |
|--|-----------|--------|----|-------|----------------|-------|----------|---|------|
| | ALL TYPES | 06-09→ | 57 | BOSCH | 4643-G | 10950 | P-575202 | 1 | 52,5 |
| | ALL TYPES | 06-09→ | 10 | BOSCH | 30014-G | | | | |
| | ALL TYPES | 06-09→ | 38 | LUCAS | 4442-G | 10520 | P-385101 | 1 | 51 |
| | ALL TYPES | | | | | 11651 | K-385101 | 1 | 51 |
| | ALL TYPES | 06-09→ | 8 | LUCAS | 30004-G | | | | |

301

| | | | | | | | | | |
|--|-----------|--------|------|----------------|----------------|-------|----------|---|------|
| | ALL TYPES | 11-12→ | 54 | BOSCH | 4632-G | 10568 | P-545201 | 1 | 52,5 |
| | ALL TYPES | 11-12→ | 10 | BOSCH | 30014-G | | | | |
| | ALL TYPES | 11-12→ | 20,6 | BEDNIX - BOSCH | 3326-G | | | | |

304

| | | | | | | | | | |
|--|----------------------------|-------------|------|----------------|----------------|-------|----------|---|----|
| | ALL TYPES (DOBLE CIRCUIT) | 01-75→ | 19 | BEDNIX - BOSCH | 3042-G | | | | |
| | ALL TYPES (SIMPLE CIRCUIT) | 01-69→01-75 | 19 | | 3131-G | | | | |
| | ALL TYPES (2 PISTONS) | 01-72→01-78 | 48 | BEDNIX - BOSCH | 10150-G | | | | |
| | ALL TYPES | 01-72→01-80 | 48 | LUCAS | 2643-G | 10615 | P-482901 | 2 | 29 |
| | ALL TYPES | 01-77→01-78 | 48 | BEDNIX - BOSCH | 3038-G | 10835 | P-484402 | 1 | 44 |
| | 1.3S - 1.4D | 01-77→01-80 | 48 | ATE | 3079-G | | | | |
| | ALL TYPES | | 19 | BEDNIX - BOSCH | 10168-G | | | | |
| | ALL TYPES | | 22,2 | LUCAS | 3080-G | | | | |
| | ALL TYPES | | 23,8 | BEDNIX - BOSCH | 10173-G | | | | |
| | ALL TYPES | | 19 | BEDNIX - BOSCH | 10153 | | | | |
| | ALL TYPES | | 19 | BEDNIX - BOSCH | 3035-G | | | | |
| | ALL TYPES | | 27 | BEDNIX - BOSCH | 10120 | | | | |
| | ALL TYPES | | 30 | BEDNIX - BOSCH | 10123 | | | | |

305

| | | | | | | | | | |
|--|---|-------------|------|----------------|----------------|-------|----------|---|----|
| | ALL TYPES (DOBLE CIRCUIT) | 01-78→01-90 | 19 | BEDNIX - BOSCH | 3042-G | | | | |
| | ALL TYPES (DOBLE CIRCUIT) (3 CONNECTIONS) | 01-80→01-90 | 19 | BEDNIX - BOSCH | 3179-G | | | | |
| | ALL TYPES | 01-77→01-82 | 48 | BEDNIX - BOSCH | 3038-G | 10835 | P-484402 | 1 | 44 |
| | ALL TYPES | 01-77→01-82 | 48 | ATE | 3079-G | | | | |
| | ALL TYPES | 10-82→07-90 | 48 | BEDNIX - BOSCH | 3221-G | 10534 | P-484902 | 1 | 49 |
| | XSI | 01-93→ | 54 | LUCAS | 3220-G | | | | |
| | ALL TYPES | 10-82→07-90 | 20 | BEDNIX - BOSCH | 30038-G | | | | |
| | ALL TYPES | 01-83→01-88 | 20,6 | BEDNIX - BOSCH | 2674-G | | | | |
| | ALL TYPES | 01-83→01-90 | 20,6 | LUCAS | 3031-G | | | | |
| | ALL TYPES | 01-77→01-83 | 22,2 | LUCAS | 3050-G | | | | |
| | ALL TYPES | 01-77→01-83 | 22,2 | ATE | 6348-G | | | | |
| | ALL TYPES | →01-83 | 23,8 | BEDNIX - BOSCH | 10173-G | | | | |



Master Cylinder



Front Caliper



Front Wheel Cylinder



Clutch Master Cylinder



Front Caliper Guides



Pressure Regulating Valve



Rear Caliper



Rear Wheel Cylinder



Clutch Slave Cylinder



Rear Caliper Guides



∅
(mm.)

VERSION



PEUGEOT

5 of 13

306

| | | | | | | | | | |
|--|-------------------------------------|-------------|------|----------------|----------------|-------|----------|---|------|
| | ALL TYPES (-ABS) | 04-93→ | 19 | BEDNIX - BOSCH | 3179-G | | | | |
| | ALL TYPES (-ABS) | 04-93→10-93 | 19 | ATE | 3212-G | | | | |
| | ALL TYPES | 04-93→10-03 | 20,6 | BEDNIX - BOSCH | 3127-G | | | | |
| | ALL TYPES CH.30209024→ (ABS) | 04-93→ | 20,6 | BEDNIX - BOSCH | 3486-G | | | | |
| | ALL TYPES (ALUMINIUM BODY) | 01-97→ | 20,6 | BEDNIX - BOSCH | 3488-G | | | | |
| | ALL TYPES CH.30209025→ (ABS) | | 22,2 | BEDNIX - BOSCH | 3361-G | | | | |
| | ALL TYPES (-ABS) | 01-97→ | 22,2 | ATE | 4101-G | | | | |
| | ALL TYPES | 01-97→ | 22,2 | BEDNIX - BOSCH | 4102-G | | | | |
| | ALL TYPES (ABS) | 01-96→01-97 | 23,8 | BEDNIX - BOSCH | 3402-G | | | | |
| | ALL TYPES (ABS) | 04-93→ | 23,8 | BENDIX - BOSCH | 4681-G | | | | |
| | ALL TYPES | 04-93→ | 48 | ATE | 3130-G | 10533 | P-484801 | 1 | 48,8 |
| | ALL TYPES | 04-93→ | 48 | BEDNIX - BOSCH | 3221-G | 10534 | P-484902 | 1 | 49 |
| | ALL TYPES | 04-93→ | 48 | ATE | 6173-G | | | | |
| | ALL TYPES | 04-93→10-03 | 54 | LUCAS | 3220-G | 10570 | P-545301 | 1 | 53,7 |
| | ALL TYPES (-ABS) | 04-93→ | 54 | BEDNIX - BOSCH | 3639-G | 10578 | P-545001 | 1 | 50,5 |
| | ALL TYPES | 01-97→ | 54 | LUCAS | 3649-G | 10571 | P-545301 | 1 | 53,7 |
| | 2.0 GTI - 2.0 S16 | 03-96→ | 57 | LUCAS | 3481-G | 10580 | P-575401 | 1 | 54,8 |
| | ALL TYPES (VENTILATED DISCS) | 04-93→10-03 | 7 | BOSCH | 30000-G | | | | |
| | 2.0 | 04-93→10-03 | 8 | LUCAS | 30001-G | | | | |
| | ALL TYPES | 03-96→ | 10 | LUCAS | 30041-G | | | | |
| | ALL TYPES (SOLID DISCS) | 04-93→10-03 | 12 | BOSCH | 30092-G | | | | |
| | ALL TYPES | 04-93→ | 20 | BEDNIX - BOSCH | 30038-G | | | | |
| | ALL TYPES (VENTILATED DISCS) | 04-93→ | 20 | BEDNIX - BOSCH | 30121-G | | | | |
| | ALL TYPES (ABS-PRV) | | 20,6 | LUCAS | 3031-G | | | | |
| | ALL TYPES (PRESSURE REDUCING VALVE) | | 20,6 | BEDNIX - BOSCH | 3326-G | | | | |
| | ALL TYPES | | 20,6 | BEDNIX - BOSCH | 3375-G | | | | |
| | ALL TYPES | 05-93→ | 30 | BEDNIX - BOSCH | 3317-G | 10639 | P-303801 | 1 | 38,5 |
| | | | | | | 11511 | K-303801 | 1 | 38,5 |
| | ALL TYPES | 05-93→ | 32 | BEDNIX - BOSCH | 4430-G | 10641 | P-323801 | 1 | 38,5 |
| | | | | | | 11531 | K-323801 | 1 | 38,5 |
| | ALL TYPES | 05-93→ | 20 | BEDNIX - BOSCH | 30038-G | | | | |



Master Cylinder



Front Caliper



Front Wheel Cylinder



Clutch Master Cylinder



Front Caliper Guides



Pressure Regulating Valve



Rear Caliper



Rear Wheel Cylinder



Clutch Slave Cylinder



Rear Caliper Guides

Ø
(mm.)

VERSION



PEUGEOT

6 of 13

307

| | | | | | | | | | |
|--|--------------------|--------|------|-------|----------------|-------|------------|---|------|
| | ALL TYPES | 01-00→ | 22,2 | BOSCH | 4102-G | | | | |
| | ALL TYPES | | 23,8 | BOSCH | 4856-G | | | | |
| | ALL TYPES | 08-00→ | 54 | BOSCH | 4632-G | 10911 | P-545102 | 1 | 51,5 |
| | 2.0 HDI | 02-04→ | 57 | ATE | 4768-G | 10589 | P-575504 | 1 | 55,4 |
| | ALL TYPES | 08-00→ | 10 | BOSCH | 30014-G | | | | |
| | ALL TYPES | 08-00→ | 38 | LUCAS | 4442-G | 10520 | P-385101 | 1 | 51 |
| | | | | | | 11651 | K-385101 | 1 | 51 |
| | ALL TYPES | 08-00→ | 38 | BOSCH | 4858-G | 10631 | P-384901 | 1 | 49 |
| | | | | | | 11617 | K-384901-R | 1 | 49 |
| | | | | | | 11616 | K-384901-L | 1 | 49 |
| | ALL TYPES | 08-00→ | 38 | BOSCH | 4990-G | | | | |
| | ALL TYPES | 08-00→ | 8 | LUCAS | 30004-G | | | | |
| | ALL TYPES | 08-00→ | 10 | BOSCH | 30057-G | | | | |
| | BREAK 2.0 - 2.0HDI | 03-02→ | 19 | FAG | 4819-G | | | | |
| | 1.4 - 1.6 | 08-00→ | 19 | FAG | 4821-G | | | | |

308

| | | | | | | | | | |
|--|------------------------|--------|----|-------|----------------|-------|----------|---|------|
| | ALL TYPES EXCEPT 2.0 | 09-07→ | 57 | BOSCH | 4643-G | 10950 | P-575202 | 1 | 52,5 |
| | ALL TYPES | 09-07→ | 57 | ATE | 4768-G | 10589 | P-575504 | 1 | 55,4 |
| | ALL TYPES | 09-07→ | 10 | BOSCH | 30014-G | | | | |
| | ALL TYPES | 09-07→ | 38 | LUCAS | 4442-G | 10520 | P-385101 | 1 | 51 |
| | | | | | | 11651 | K-385101 | 1 | 51 |
| | ALL TYPES 4A - 4C - CC | 09-07→ | 8 | LUCAS | 30050-G | | | | |

309

| | | | | | | | | | |
|--|---|-------------|------|----------------|----------------|-------|----------|---|------|
| | I SERIES | 10-85→12-89 | 19 | BEDNIX - BOSCH | 3179-G | | | | |
| | I - II SERIES | 10-85→12-93 | 19 | ATE | 3212-G | | | | |
| | II SERIES | 07-89→12-93 | 20,6 | ATE | 3243-G | | | | |
| | II SERIES (ABS) | 07-89→12-93 | 20,6 | BEDNIX - BOSCH | 3486-G | | | | |
| | I - II SERIES | 10-85→12-93 | 48 | ATE - LUCAS | 3125-G | 10538 | P-485302 | 1 | 53,6 |
| | I - II SERIES | 10-85→12-93 | 48 | BEDNIX - BOSCH | 3221-G | 10534 | P-484902 | 1 | 49 |
| | I - II SERIES GTI - GTI 16V (VENTILATED DISC) | 10-85→12-93 | 48 | LUCAS | 3359-G | 10540 | P-485302 | 1 | 53,6 |
| | I - II SERIES (-ABS) | 10-85→12-93 | 12 | LUCAS | 30089-G | | | | |
| | I - II SERIES | 10-85→12-93 | 20 | BEDNIX - BOSCH | 30038-G | | | | |
| | I - II SERIES | 10-85→12-93 | 24 | LUCAS | 10256 | | | | |
| | I SERIES 1.118C.C - 1.294C.C. | 10-85→12-89 | 17,5 | BEDNIX - BOSCH | 3223-G | | | | |
| | II SERIES (ABS-PRV) | 07-89→12-93 | 20,6 | LUCAS | 3031-G | | | | |
| | II SERIES (PRESSURE REDUCING VALVE) | 07-89→12-93 | 20,6 | BEDNIX - BOSCH | 3375-G | | | | |
| | I SERIES (PRESSURE REDUCING VALVE) | 10-85→12-89 | 22,2 | LUCAS | 3080-G | | | | |
| | I SERIES (PRESSURE REDUCING VALVE) | 10-85→12-89 | 22,2 | BEDNIX - BOSCH | 3187-G | | | | |
| | I - II SERIES | 10-85→12-93 | 30 | BEDNIX - BOSCH | 3317-G | 10639 | P-303801 | 1 | 38,5 |
| | | | | | | 11511 | K-303801 | 1 | 38,5 |

4007

| | | | | | | | | | |
|--|-----------|--------|----|---------|----------------|-------|----------|---|------|
| | ALL TYPES | 02-07→ | 43 | AKEBONO | 3559-G | 10671 | P-434501 | 2 | 44,8 |
| | ALL TYPES | 02-07→ | 11 | AKEBONO | 30087-G | | | | |
| | ALL TYPES | 02-07→ | 38 | AKEBONO | 4917-G | 11129 | P-384602 | 1 | 46 |
| | ALL TYPES | 02-07→ | 10 | AKEBONO | 30074-G | | | | |



Master Cylinder



Front Caliper



Front Wheel Cylinder



Clutch Master Cylinder



Front Caliper Guides



Pressure Regulating Valve



Rear Caliper



Rear Wheel Cylinder



Clutch Slave Cylinder



Rear Caliper Guides



∅
(mm.)

VERSION



PEUGEOT

7 of 13

4008

| | | | | | |
|--|-----------|--------|----|---------|----------------|
| | ALL TYPES | 05-12→ | 10 | AKEBONO | 30085-G |
| | ALL TYPES | 05-12→ | 10 | AKEBONO | 30074-G |

404

| | | | | | |
|--|--|-------------|------|----------------|----------------|
| | 404 - 8 - 404 - 9 BERLINE | 01-68→ | 19 | | 3131-G |
| | 404 - 8 - 404 - 9 BERLINE (SIMPLE CIRCUIT) | 01-67→01-68 | 19 | BEDNIX - BOSCH | 4659-G |
| | BERLINE ESSENCE | 01-60→01-67 | 22,2 | | 10148 |
| | BERLINE - DIESEL COUPE (SIMPLE CIRCUIT) | 01-60→01-67 | 22,2 | BEDNIX - BOSCH | 2539-GV |
| | DIESEL | 01-62→01-79 | 25,4 | BEDNIX - BOSCH | 10156 |
| | DIESEL | 01-62→01-79 | 25,4 | BEDNIX - BOSCH | 10156-G |
| | U10 - UXD (DOBLE CIRCUIT) | 01-76→ | 25,4 | BEDNIX - BOSCH | 3061-G |
| | ALL TYPES | 01-66→ | 31,8 | | 10245-G |
| | EXCEPT THERMOSTABLE | | 28,6 | BEDNIX - BOSCH | 10172-G |
| | EXCEPT THERMOSTABLE | | 30 | BEDNIX - BOSCH | 10165-G |
| | THERMOSTABLE | | 34,5 | BEDNIX - BOSCH | 10167-G |
| | ALL TYPES (2 PISTONS) | | 48 | BEDNIX - BOSCH | 10150-G |
| | U6 - U6D - L - LD - THERMOSTABLE | 01-65→ | 17,5 | | 3114-G |
| | BERLINE - THERMOSTABLE | 01-66→ | 19 | BEDNIX - BOSCH | 10168-G |
| | ALL TYPES EXCEPT CABRIO | 04-63→ | 20,6 | BEDNIX - BOSCH | 10175-G |
| | 404 - 8 - 404 - 9 BERLINE | 01-67→01-69 | 20,6 | BEDNIX - BOSCH | 2674-G |
| | 404 - 8 - 404 - 9 BERLINE | 01-68→ | 22,2 | BEDNIX - BOSCH | 2602-G |
| | BERLINE | 01-69→01-73 | 23,8 | BEDNIX - BOSCH | 10173-G |
| | BERLINE - COUPE - CABRIO | 01-62→01-65 | 25,4 | BEDNIX - BOSCH | 2596-G |
| | U6 - U8 - U10 - UXD (O-RING TYPE) | 01-69→ | 28,6 | BEDNIX - BOSCH | 10166-G |
| | FAMILIALE L - LD | 01-62→01-65 | 28,6 | BEDNIX - BOSCH | 10174-G |
| | U6 - U8 - U10 - UXD | 01-63→01-69 | | | |
| | ALL TYPES | | 19 | BEDNIX - BOSCH | 10159 |
| | ALL TYPES | | 19 | BEDNIX - BOSCH | 3035-G |
| | ALL TYPES | 01-69→ | 28,6 | BEDNIX - BOSCH | 10117 |
| | ALL TYPES | 01-69→ | 28,6 | BEDNIX - BOSCH | 3036-G |



Master Cylinder



Front Caliper



Front Wheel Cylinder



Clutch Master Cylinder



Front Caliper Guides



Pressure Regulating Valve



Rear Caliper



Rear Wheel Cylinder



Clutch Slave Cylinder



Rear Caliper Guides

Ø
(mm.)

VERSION



PEUGEOT

8 of 13

405

| | | | | | | | | | |
|--|-------------------------------------|-------------|------|----------------|----------------|-------|----------|---|------|
| | ALL TYPES (-ABS) | 01-87→11-99 | 20,6 | BEDNIX - BOSCH | 3127-G | | | | |
| | ALL TYPES | 01-87→11-99 | 20,6 | ATE | 3243-G | | | | |
| | ALL TYPES (ABS) | 08-92→11-99 | 22,2 | BEDNIX - BOSCH | 3361-G | | | | |
| | ALL TYPES (ABS) | 01-87→11-99 | 22,2 | FAG | 6117-G | | | | |
| | ALL TYPES | 08-92→11-99 | 23,8 | BEDNIX - BOSCH | 3402-G | | | | |
| | ALL TYPES | 01-87→11-99 | 48 | BEDNIX - BOSCH | 3221-G | 10534 | P-484902 | 1 | 49 |
| | ALL TYPES | 01-87→11-99 | 48 | LUCAS | 3490-G | 10539 | P-485302 | 1 | 53,6 |
| | ALL TYPES | 01-87→11-99 | 48 | LUCAS | 6285-G | | | | |
| | ALL TYPES | 01-87→11-99 | 54 | LUCAS | 3220-G | 10570 | P-545301 | 1 | 53,7 |
| | 2.0T | 08-92→11-99 | 57 | LUCAS | 3481-G | 10580 | P-575401 | 1 | 54,8 |
| | ALL TYPES | 01-87→11-99 | 8 | LUCAS | 30003-G | | | | |
| | ALL TYPES (DISC 20,4MM) | 01-87→11-99 | 20 | BEDNIX - BOSCH | 30038-G | | | | |
| | ALL TYPES (DISC 10MM) | 01-87→11-99 | 20 | BEDNIX - BOSCH | 30121-G | | | | |
| | ALL TYPES | 01-87→11-99 | 20,6 | BEDNIX - BOSCH | 2674-G | | | | |
| | ALL TYPES | 01-87→11-99 | 20,6 | LUCAS | 3031-G | | | | |
| | ALL TYPES (PRESSURE REDUCING VALVE) | 01-87→11-99 | 20,6 | BEDNIX - BOSCH | 3375-G | | | | |
| | ALL TYPES (ABS) | 01-87→11-99 | 22,2 | FAG | 6171-G | | | | |
| | ALL TYPES | 01-87→11-99 | 38 | LUCAS | 3247-G | 10521 | P-385101 | 1 | 51 |
| | | | | | | 11652 | K-385101 | 1 | 51 |

406

| | | | | | | | | | |
|--|-------------------------------------|-------------|------|----------------|----------------|-------|----------|---|------|
| | ALL TYPES | 10-95→01-05 | 23,8 | BEDNIX - BOSCH | 3402-G | | | | |
| | ALL TYPES | 01-95→01-05 | 23,8 | ATE | 4853-G | | | | |
| | 3.0 - 2.2HDI | 10-95→01-05 | 38 | BREMBO | 6049-G | 11637 | P-423202 | 2 | 32 |
| | | | | | | | P-383203 | 2 | 32 |
| | ALL TYPES | 10-95→01-05 | 57 | LUCAS | 3556-G | 10581 | P-575401 | 1 | 54,8 |
| | ALL TYPES | 10-95→01-05 | 10 | LUCAS | 30041-G | | | | |
| | ALL TYPES (ABS) | 10-95→01-05 | 20,6 | BEDNIX - BOSCH | 3375-G | | | | |
| | ALL TYPES (PRESSURE REDUCING VALVE) | 10-95→01-05 | 20,6 | BEDNIX - BOSCH | 3553-G | | | | |
| | ALL TYPES | 10-95→01-05 | 33 | ATE | 3518-G | 10642 | P-334901 | 1 | 49 |
| | ALL TYPES | 10-95→01-05 | 33 | ATE | 6006-G | | | | |
| | ALL TYPES | 10-95→01-05 | 22 | ATE | 30125-G | | | | |
| | ALL TYPES | 10-95→01-05 | 19 | FAG | 4819-G | | | | |
| | ALL TYPES | 10-95→01-05 | 23,8 | FAG | 4841-G | | | | |

407

| | | | | | | | | | |
|--|----------------------------------|--------|-------|-------|----------------|-------|----------|---|------|
| | ALL TYPES | 05-04→ | 22,2 | ATE | 4964-G | | | | |
| | 2.2 - 2.7 - 3.0 -HDI (DISC 30MM) | 05-04→ | 40 | LUCAS | 4755-G | 10608 | P-455301 | 1 | 53 |
| | | | | | | | P-405301 | 1 | 53 |
| | ALL TYPES (DISC 26MM) | 05-04→ | 57 | LUCAS | 6063-G | 10938 | P-575401 | 1 | 54,8 |
| | ALL TYPES | 05-04→ | 60 | ATE | 4565-G | 10963 | P-605502 | 1 | 55,5 |
| | ALL TYPES (DISC 30MM) | 05-04→ | 10 | LUCAS | 30063-G | | | | |
| | ALL TYPES (DISC 26MM) | 05-04→ | 10 | LUCAS | 30078-G | | | | |
| | ALL TYPES | 05-04→ | 38 | LUCAS | 4442-G | 10520 | P-385101 | 1 | 51 |
| | | | | | | 11651 | K-385101 | 1 | 51 |
| | ALL TYPES | 05-04→ | 8 | LUCAS | 30004-G | | | | |
| | ALL TYPES | | 15,87 | FAG | 4865-G | | | | |
| | ALL TYPES | 05-04→ | 19 | FAG | 4819-G | | | | |



Master Cylinder



Front Caliper



Front Wheel Cylinder



Clutch Master Cylinder



Front Caliper Guides



Pressure Regulating Valve



Rear Caliper



Rear Wheel Cylinder



Clutch Slave Cylinder



Rear Caliper Guides

Ø
(mm.)

VERSION



PEUGEOT

9 of 13

5008

| | | | | | | | | | |
|--|-----------|--------|----|-------|----------------|-------|----------|---|------|
| | ALL TYPES | 06-09→ | 60 | ATE | 4565-G | 10963 | P-605502 | 1 | 55,5 |
| | ALL TYPES | 06-09→ | 38 | LUCAS | 4442-G | 10520 | P-385101 | 1 | 51 |
| | ALL TYPES | 06-09→ | 8 | LUCAS | 30004-G | 11651 | K-385101 | 1 | 51 |

504

| | | | | | | | | | |
|--|---------------------------------------|-------------|------|----------------|----------------|-------|----------|---|----|
| | OLD TYPES (SIMPLE CIRCUIT) | 07-68→06-87 | 19 | BEDNIX - BOSCH | 10114-G | | | | |
| | ALL TYPES (DOBLE CIRCUIT) | 07-68→06-87 | 19 | ATE | 3019-G | | | | |
| | ALL TYPES (DOBLE CIRCUIT) | 07-68→06-87 | 19 | BEDNIX - BOSCH | 3042-G | | | | |
| | ALL TYPES (SIMPLE CIRCUIT) | 07-68→06-87 | 19 | | 3131-G | | | | |
| | ALL TYPES (DOBLE CIRCUIT) | 07-68→06-87 | 20,6 | BEDNIX - BOSCH | 3039-G | | | | |
| | ALL TYPES (DOBLE CIRCUIT) | 07-68→06-87 | 20,6 | ATE | 3040-G | | | | |
| | ALL TYPES (SIMPLE CIRCUIT) | 07-68→06-87 | 20,6 | BEDNIX - BOSCH | 3120-G | | | | |
| | CAMIONNETTE - PICK-UP (DOBLE CIRCUIT) | 01-80→ | 25,4 | BEDNIX - BOSCH | 3083-G | | | | |
| | CAMIONNETTE - PICK-UP | 01-80→ | 30 | BEDNIX - BOSCH | 10165-G | | | | |
| | ALL TYPES | 07-68→06-87 | 54 | LUCAS | 3041-G | 10899 | P-542903 | 2 | 29 |
| | BREAK | 04-71→07-86 | 54 | ATE | 3647-G | 11826 | P-545304 | 1 | 53 |
| | BREAK - COMERCIALE - UTIL | 07-68→04-82 | 20,6 | BEDNIX - BOSCH | 10175-G | | | | |
| | BREAK - COMERCIALE - UTIL | 04-71→ | 22,2 | BEDNIX - BOSCH | 10177-G | | | | |
| | BERLINE (79 → CH.1214234) | 04-71→ | 22,2 | BEDNIX - BOSCH | 2602-G | | | | |
| | CAMIONNETTE - PICK-UP | 01-80→ | 22,2 | LUCAS | 3080-G | | | | |
| | BERLINE | 04-71→ | | | | | | | |
| | CAMIONNETTE - PICK-UP | 01-80→ | 22,2 | BEDNIX - BOSCH | 3187-G | | | | |
| | CAMIONNETTE - PICK-UP (O-RING TYPE) | 04-71→01-80 | 28,6 | BEDNIX - BOSCH | 10166-G | | | | |
| | ALL TYPES | 04-71→ | 43 | LUCAS | 3670-G | | | | |
| | ALL TYPES | 01-69→ | 19 | BEDNIX - BOSCH | 10153 | | | | |
| | ALL TYPES | 07-68→01-69 | 19 | BEDNIX - BOSCH | 10159 | | | | |
| | ALL TYPES | 07-68→ | 19 | BEDNIX - BOSCH | 3035-G | | | | |
| | ALL TYPES | 07-68→06-87 | 28,6 | BEDNIX - BOSCH | 10117 | | | | |
| | ALL TYPES | 07-68→06-87 | 28,6 | BEDNIX - BOSCH | 3036-G | | | | |
| | ALL TYPES | 07-68→06-87 | 12,5 | | 3069-G | | | | |



Master Cylinder



Front Caliper



Front Wheel Cylinder



Clutch Master Cylinder



Front Caliper Guides



Pressure Regulating Valve



Rear Caliper



Rear Wheel Cylinder



Clutch Slave Cylinder



Rear Caliper Guides

Ø
(mm.)

VERSION

Q
t
y

PEUGEOT

10 of 13

505

| | | | | | | | | | |
|--|-----------------------------|-------------|------|----------------|----------------|-------|----------|---|------|
| | ALL TYPES | 05-79→09-95 | 20,6 | ATE | 3040-G | | | | |
| | ALL TYPES | 05-79→09-95 | 20,6 | LUCAS | 3051-G | | | | |
| | ALL TYPES | 05-79→09-95 | 20,6 | BEDNIX - BOSCH | 3052-G | | | | |
| | ALL TYPES | 05-79→09-95 | 54 | LUCAS | 3041-G | 10899 | P-542903 | 2 | 29 |
| | ALL TYPES | 05-79→09-95 | 54 | BEDNIX - BOSCH | 3498-G | 10923 | P-544602 | 1 | 46,8 |
| | ALL TYPES | 05-79→09-95 | 54 | ATE | 3647-G | 11826 | P-545304 | 1 | 53 |
| | ALL TYPES | 05-79→09-95 | 20 | BEDNIX - BOSCH | 30038-G | | | | |
| | ALL TYPES (CH.1214235 →) | 04-82→09-95 | 20,6 | BEDNIX - BOSCH | 10175-G | | | | |
| | ALL TYPES (CH.1214235→) | 04-82→09-95 | 20,6 | LUCAS | 3031-G | | | | |
| | ALL TYPES (79 → CH.1214234) | 05-79→04-82 | 22,2 | BEDNIX - BOSCH | 2602-G | | | | |
| | ALL TYPES (79→CH.1214234) | 05-79→04-82 | 22,2 | LUCAS | 3050-G | | | | |
| | ALL TYPES | 04-82→09-95 | 22,2 | LUCAS | 3080-G | | | | |
| | ALL TYPES | 04-82→09-95 | 22,2 | BEDNIX - BOSCH | 3187-G | | | | |
| | 551 TYPES | 05-79→09-95 | 43 | LUCAS | 3670-G | | | | |
| | ALL TYPES | 05-79→09-95 | 19 | BEDNIX - BOSCH | 10153 | | | | |
| | ALL TYPES | 05-79→09-95 | 19 | BEDNIX - BOSCH | 3035-G | | | | |
| | ALL TYPES | 05-79→09-95 | 28,6 | BEDNIX - BOSCH | 10117 | | | | |
| | ALL TYPES | 05-79→09-95 | 28,6 | BEDNIX - BOSCH | 3036-G | | | | |
| | ALL TYPES | 05-79→09-95 | 12,5 | | 3069-G | | | | |

508

| | | | | | | | | | |
|--|-----------|--------|----|-------|----------------|--|--|--|--|
| | ALL TYPES | 11-10→ | 60 | ATE | 4565-G | | | | |
| | HYBRID4 | 11-10→ | 8 | LUCAS | 30004-G | | | | |

604

| | | | | | | | | | |
|--|-----------|--|------|----------------|---------------|-------|----------|---|----|
| | ALL TYPES | | 22,2 | BEDNIX - BOSCH | 3104-G | | | | |
| | ALL TYPES | | 54 | ATE | 3647-G | 11826 | P-545304 | 1 | 53 |
| | ALL TYPES | | 43 | LUCAS | 3670-G | | | | |
| | ALL TYPES | | 19 | BEDNIX - BOSCH | 10153 | | | | |
| | ALL TYPES | | 19 | BEDNIX - BOSCH | 3035-G | | | | |
| | ALL TYPES | | 28,6 | BEDNIX - BOSCH | 10117 | | | | |
| | ALL TYPES | | 28,6 | BEDNIX - BOSCH | 3036-G | | | | |

605

| | | | | | | | | | |
|--|-----------------------|-------------|------|----------------|----------------|-------|----------|---|------|
| | ALL TYPES | 08-89→09-99 | 22,2 | BEDNIX - BOSCH | 3361-G | | | | |
| | ALL TYPES (SOFT BOOT) | 08-89→09-99 | 57 | ATE | 3391-G | 10579 | P-575301 | 1 | 53 |
| | ALL TYPES (HARD BOOT) | 06-89→09-99 | 57 | BEDNIX - BOSCH | 4644-G | 10584 | P-575101 | 1 | 51,7 |
| | ALL TYPES | 08-89→09-99 | 57 | ATE | 4983-G | | | | |
| | ALL TYPES | 06-89→09-99 | 16 | BEDNIX - BOSCH | 30112-G | | | | |
| | ALL TYPES | 08-89→09-99 | 33 | ATE | 3518-G | 10642 | P-334901 | 1 | 49 |
| | ALL TYPES | 08-89→09-99 | 33 | ATE | 6006-G | | | | |
| | ALL TYPES | 06-89→09-99 | 22 | ATE | 30125-G | | | | |



Master Cylinder



Front Caliper



Front Wheel Cylinder



Clutch Master Cylinder



Front Caliper Guides



Pressure Regulating Valve



Rear Caliper



Rear Wheel Cylinder



Clutch Slave Cylinder



Rear Caliper Guides

Ø
(mm.)

VERSION



PEUGEOT

11 of 13

607

| | | | | | | | | | |
|--|------------------|--------|------|--------|----------------|-------|----------|---|------|
| | 3.0 | 01-00→ | 38 | BREMBO | 6049-G | 10749 | P-422902 | 2 | 29 |
| | | | | | | | P-382902 | 2 | 29 |
| | ALL TYPES | 01-00→ | 40 | LUCAS | 4755-G | 10608 | P-455301 | 1 | 53 |
| | | | | | | | P-405301 | 1 | 53 |
| | ALL TYPES | 01-00→ | 57 | LUCAS | 3556-G | 10581 | P-575401 | 1 | 54,8 |
| | ALL TYPES | 01-00→ | 10 | LUCAS | 30041-G | | | | |
| | ALL TYPES (-ABS) | 01-00→ | 10 | LUCAS | 30063-G | | | | |
| | ALL TYPES | 01-00→ | 33 | ATE | 3518-G | 10642 | P-334901 | 1 | 49 |
| | ALL TYPES | 01-00→ | 33 | ATE | 6006-G | | | | |
| | ALL TYPES | 01-00→ | 38 | LUCAS | 4442-G | 10520 | P-385101 | 1 | 51 |
| | | | | | | 11651 | K-385101 | 1 | 51 |
| | ALL TYPES | 01-00→ | 8 | LUCAS | 30004-G | | | | |
| | ALL TYPES | 01-00→ | 22 | ATE | 30125-G | | | | |
| | ALL TYPES | 01-00→ | 19 | FAG | 4819-G | | | | |
| | ALL TYPES | 01-00→ | 23,8 | FAG | 4841-G | | | | |

806

| | | | | | | | | | |
|--|--------------------------|-------------|------|----------------|----------------|-------|----------|---|------|
| | ALL TYPES (-ABS) | 06-94→08-02 | 22,2 | BEDNIX - BOSCH | 3361-G | | | | |
| | ALL TYPES | 06-94→08-02 | 23,8 | BEDNIX - BOSCH | 3402-G | | | | |
| | ALL TYPES | 06-94→08-02 | 57 | LUCAS | 3481-G | 10580 | P-575401 | 1 | 54,8 |
| | ALL TYPES | 06-94→08-02 | 57 | BEDNIX - BOSCH | 3586-G | 10583 | P-575101 | 1 | 51,7 |
| | ALL TYPES | 06-94→08-02 | 10 | LUCAS | 30041-G | | | | |
| | ALL TYPES | 06-94→08-02 | 19 | BEDNIX - BOSCH | 3482-G | | | | |
| | ALL TYPES | 06-94→08-02 | 36 | ATE | 3483-G | 10725 | P-364803 | 1 | 48 |
| | ALL TYPES (PLASTIC BODY) | 06-94→08-02 | 19 | FAG | 4849-G | | | | |
| | ALL TYPES | 06-94→08-02 | 23,8 | FAG | 4841-G | | | | |

807

| | | | | | | | | | |
|--|-----------|--------|------|--------|----------------|-------|----------|---|----|
| | ALL TYPES | 06-02→ | 22,2 | BOSCH | 4678-G | | | | |
| | 2.2 HDI | 06-06→ | 40 | LUCAS | 4755-G | 10608 | P-455301 | 1 | 53 |
| | | | | | | | P-405301 | 1 | 53 |
| | 3.0 V6 | 06-02→ | 40 | BREMBO | 4887-G | 11671 | P-442902 | 2 | 29 |
| | | | | | | | P-402904 | 2 | 29 |
| | ALL TYPES | 06-02→ | 60 | LUCAS | 4860-G | 10988 | P-605301 | 1 | 53 |
| | ALL TYPES | 06-02→ | 10 | LUCAS | 30078-G | | | | |
| | ALL TYPES | 06-02→ | 38 | LUCAS | 4442-G | 10520 | P-385101 | 1 | 51 |
| | | | | | | 11651 | K-385101 | 1 | 51 |
| | ALL TYPES | 06-02→ | 54 | TRW | 4726-G | | | | |
| | ALL TYPES | 06-02→ | 19 | FAG | 4819-G | | | | |
| | ALL TYPES | 06-02→ | 23,8 | FAG | 4841-G | | | | |

BIPPER

| | | | | | | | | | |
|--|-----------|--------|----|-------|----------------|-------|----------|---|------|
| | ALL TYPES | 02-08→ | 54 | BOSCH | 4632-G | 10568 | P-545201 | 1 | 52,5 |
| | ALL TYPES | 02-08→ | 10 | BOSCH | 30014-G | | | | |



Master Cylinder



Front Caliper



Front Wheel Cylinder



Clutch Master Cylinder



Front Caliper Guides



Pressure Regulating Valve



Rear Caliper



Rear Wheel Cylinder



Clutch Slave Cylinder



Rear Caliper Guides

Ø
(mm.)

VERSION

**PEUGEOT**

12 of 13

BOXER

| | | | | | | | | | |
|--|-------------------------|-------------|------|----------------|----------------|-------|----------|---|------|
| | ALL TYPES (-ABS) | 03-94→04-06 | 22,2 | BOSCH | 4831-G | | | | |
| | ALL TYPES (-ABS) | 03-94→04-06 | 23,8 | BEDNIX - BOSCH | 3652-G | | | | |
| | ALL TYPES (-ABS) | 03-94→04-06 | 25,4 | BEDNIX - BOSCH | 3664-G | | | | |
| | ALL TYPES | 04-02→ | 25,4 | BOSCH | 4780-G | | | | |
| | ALL TYPES | 04-06→ | 27 | | 6212-G | | | | |
| | ALL TYPES | 03-94→04-02 | 40 | LUCAS | 3657-G | 10607 | P-485302 | 1 | 53 |
| | | | | | | | P-405301 | 1 | 53 |
| | ALL TYPES | 04-02→ | 44 | BREMBO | 4663-G | 10795 | P-485701 | 1 | 57,5 |
| | | | | | | | P-445701 | 1 | 57,5 |
| | ALL TYPES | 03-94→04-02 | 45 | LUCAS | 3656-G | 10614 | P-485302 | 1 | 53 |
| | | | | | | | P-455301 | 1 | 53 |
| | ALL TYPES | 07-06→ | 46 | BREMBO | 4666-G | 11302 | P-525801 | 1 | 58 |
| | | 04-02→07-06 | | | | 11301 | P-525602 | 1 | 56,6 |
| | | 07-06→ | | | | 11302 | P-465801 | 1 | 58 |
| | | 04-02→07-06 | | | | 11301 | P-465601 | 1 | 56,6 |
| | ALL TYPES | 03-94→04-02 | 10 | LUCAS | 30041-G | | | | |
| | ALL TYPES | 04-02→ | 18 | BREMBO | 30032-G | | | | |
| | ALL TYPES EXCEPT 2.5 TD | 03-94→ | 25,4 | LUCAS | 3653-G | | | | |
| | 2.5 TD | 03-94→ | 27 | LUCAS | 3655-G | | | | |
| | ALL TYPES | 04-02→ | 46 | BREMBO | 4665-G | 11306 | P-465901 | 1 | 59,5 |
| | HDI | 04-06→ | 48 | BOSCH | 4645-G | 10842 | P-485001 | 1 | 50 |
| | HDI | 04-06→ | 10 | BOSCH | 30014-G | | | | |
| | ALL TYPES | 04-02→ | 18 | BREMBO | 30032-G | | | | |

EXPERT

| | | | | | | | | | |
|--|----------------------|-------------|------|----------------|----------------|-------|----------|---|------|
| | I - II SERIES (-ABS) | 07-95→ | 22,2 | BEDNIX - BOSCH | 3361-G | | | | |
| | II SERIES | 01-07→ | 45 | LUCAS | 3656-G | 10614 | P-485302 | 1 | 53 |
| | | | | | | | P-455301 | 1 | 53 |
| | I SERIES | 07-95→07-00 | 57 | LUCAS | 3481-G | 10580 | P-575401 | 1 | 54,8 |
| | I SERIES | 07-95→ | 57 | BEDNIX - BOSCH | 3586-G | 10583 | P-575101 | 1 | 51,7 |
| | I SERIES | 07-00→ | 60 | LUCAS | 4860-G | 10988 | P-605301 | 1 | 53 |
| | I SERIES | 07-95→09-03 | 10 | LUCAS | 30041-G | | | | |
| | II SERIES (-ABS) | 01-07→ | 10 | LUCAS | 30063-G | | | | |
| | I SERIES | 09-03→01-07 | 10 | LUCAS | 30078-G | | | | |
| | I SERIES | 07-95→ | 20 | BEDNIX - BOSCH | 30122-G | | | | |
| | I SERIES | 07-95→01-07 | 19 | BEDNIX - BOSCH | 3482-G | | | | |
| | II SERIES | 01-07→ | 41 | LUCAS | 4289-G | 10610 | P-415101 | 1 | 51 |
| | | | | | | 11696 | K-415101 | 1 | 51 |
| | II SERIES | 01-07→ | 8 | LUCAS | 30004-G | | | | |
| | HDI (PLASTIC BODY) | 01-02→ | 19 | FAG | 4849-G | | | | |
| | ALL TYPES | 07-00→ | 23,8 | FAG | 4841-G | | | | |



Master Cylinder



Front Caliper



Front Wheel Cylinder



Clutch Master Cylinder



Front Caliper Guides



Pressure Regulating Valve



Rear Caliper



Rear Wheel Cylinder



Clutch Slave Cylinder



Rear Caliper Guides

Ø
(mm.)

VERSION

**PEUGEOT**

13 of 13

J5

| | | | | | | | | |
|--|------------------------|-------------|------|----------------|----------------|-------|----------|--------|
| | 280 - 290 SERIES | 09-81→02-94 | 22,2 | BEDNIX - BOSCH | 3189-G | | | |
| | 280 - 290 SERIES | 09-81→02-94 | 38 | LUCAS | 3181-G | 10739 | P-485302 | 1 53,6 |
| | | | | | | | P-385301 | 1 53,6 |
| | 290 SERIES | 10-90→02-94 | 43 | GIRLING | 3651-G | 10791 | P-485302 | 1 53,6 |
| | | | | | | | P-435301 | 1 53,6 |
| | 280 - 290 SERIES | 09-81→02-94 | 12 | LUCAS | 30090-G | | | |
| | ALL TYPES (→CH. 77159) | | 22,2 | LUCAS | 3063-G | | | |
| | ALL TYPES (CH.77160 →) | | 22,2 | LUCAS | 4159-G | | | |
| | 1.0 - 1.3 TON | | 25,4 | LUCAS | 3055-G | | | |
| | 1.8 TON | | 27 | LUCAS | 3288-G | | | |

J7 - J9

| | | | | | | | | |
|--|---------------------|--------|------|----------------|-----------------|-------|----------|--------|
| | J7 (SIMPLE CIRCUIT) | | 25,4 | | 10128-GV | | | |
| | J9 (DOBLE CIRCUIT) | | 25,4 | BEDNIX - BOSCH | 3061-G | | | |
| | J7 (SIMPLE CIRCUIT) | | 25,4 | | 4591-G | | | |
| | ALL TYPES | 09-73→ | 48 | BEDNIX - BOSCH | 3671-G | | | |
| | ALL TYPES | 09-73→ | 48 | BEDNIX - BOSCH | 6145-G | 11803 | P-486301 | 2 63,5 |
| | J7 | | 25,4 | BEDNIX - BOSCH | 2596-G | | | |
| | ALL TYPES | | 25,4 | BEDNIX - BOSCH | 3491-G | | | |
| | J7 - J9 | | 28,6 | BEDNIX - BOSCH | 10174-G | | | |
| | ALL TYPES | | 19 | BEDNIX - BOSCH | 10153 | | | |
| | ALL TYPES | | 19 | BEDNIX - BOSCH | 3035-G | | | |
| | ALL TYPES | | 28,6 | BEDNIX - BOSCH | 10117 | | | |
| | ALL TYPES | | 28,6 | BEDNIX - BOSCH | 3036-G | | | |

PARTNER

| | | | | | | | | |
|--|-----------------------|--------|------|----------------|----------------|-------|----------|--------|
| | ALL TYPES | 06-96→ | 23,8 | BEDNIX - BOSCH | 3402-G | | | |
| | ALL TYPES (ABS) | 06-96→ | 23,8 | BENDIX - BOSCH | 4681-G | | | |
| | ALL TYPES | 06-96→ | 54 | LUCAS | 3649-G | 10571 | P-545301 | 1 53,7 |
| | ALL TYPES | 06-96→ | 54 | BOSCH | 4632-G | 10911 | P-545102 | 1 51,5 |
| | ALL TYPES | 04-08→ | 60 | ATE | 4565-G | 10963 | P-605502 | 1 55,5 |
| | ALL TYPES (DISC 13MM) | 06-96→ | 8 | LUCAS | 30006-G | | | |
| | ALL TYPES | 06-96→ | 10 | BOSCH | 30014-G | | | |
| | ALL TYPES | 06-96→ | 10 | LUCAS | 30041-G | | | |
| | ALL TYPES | 06-96→ | 22,2 | LUCAS | 3063-G | | | |
| | ALL TYPES | 06-96→ | 38 | LUCAS | 4442-G | 10520 | P-385101 | 1 51 |
| | | | | | | 11651 | K-385101 | 1 51 |
| | ALL TYPES | 06-96→ | 8 | LUCAS | 30004-G | | | |

RCZ

| | | | | | | | | |
|--|-----------|--------|---|-------|----------------|--|--|--|
| | ALL TYPES | 03-10→ | 8 | LUCAS | 30004-G | | | |
|--|-----------|--------|---|-------|----------------|--|--|--|



Master Cylinder



Front Caliper



Front Wheel Cylinder



Clutch Master Cylinder



Front Caliper Guides



Pressure Regulating Valve



Rear Caliper



Rear Wheel Cylinder



Clutch Slave Cylinder



Rear Caliper Guides



∅
(mm.)

VERSION



PEYKAN

1 of 1

PEYKAN

| | | | | |
|--|-----------|--------|------|---------|
| | ALL TYPES | | 19 | 10260-G |
| | ALL TYPES | | 19 | 10261-G |
| | ALL TYPES | 01-75→ | 54 | 10262-G |
| | ALL TYPES | | 15,9 | 10263-G |
| | ALL TYPES | | 19 | 10264-G |
| | ALL TYPES | | 15,9 | 10265-G |
| | ALL TYPES | | 15,9 | 10266-G |
| | ALL TYPES | | 28,6 | 10267-G |



Master Cylinder



Front Caliper



Front Wheel Cylinder



Clutch Master Cylinder



Front Caliper Guides



Pressure Regulating Valve



Rear Caliper



Rear Wheel Cylinder



Clutch Slave Cylinder



Rear Caliper Guides



∅
(mm.)

VERSION



POLSKI

1 of 1

125 - 126

| | | | | | | | | |
|--|-----------|----|----------------|---------------|-------|----------|---|----|
| | ALL TYPES | 19 | FIAT | 3137-G | | | | |
| | ALL TYPES | 48 | BEDNIX - BOSCH | 2675-G | 10834 | P-485003 | 1 | 50 |
| | 126 | 19 | BEDNIX - BOSCH | 2605-G | | | | |
| | 126 | 19 | | 3138-G | | | | |
| | ALL TYPES | 34 | BEDNIX - BOSCH | 2684-G | 11556 | P-344001 | 1 | 40 |
| | ALL TYPES | 38 | BEDNIX - BOSCH | 3018-G | | | | |

127 - 132

| | | | | | | | | |
|--|-----------|----|----------------|---------------|-------|----------|---|----|
| | ALL TYPES | 19 | FIAT | 3137-G | | | | |
| | ALL TYPES | 48 | BEDNIX - BOSCH | 2675-G | 10834 | P-485003 | 1 | 50 |
| | ALL TYPES | 19 | | 3138-G | | | | |
| | ALL TYPES | 19 | BEDNIX - BOSCH | 4150-G | | | | |
| | ALL TYPES | 34 | BEDNIX - BOSCH | 2684-G | 11556 | P-344001 | 1 | 40 |
| | ALL TYPES | 38 | BEDNIX - BOSCH | 3018-G | | | | |

POLONEZ

| | | | | | | | | |
|--|------------|-------------|----|----------------|---------------|-------|----------|------|
| | ALL TYPES | 01-70→01-84 | 19 | FIAT | 3137-G | | | |
| | ALL TYPES | | 48 | BEDNIX - BOSCH | 2675-G | 10834 | P-485003 | 1 50 |
| | III SERIES | →06-98 | 48 | LUCAS | 6291-G | | | |
| | ALL TYPES | | 34 | BEDNIX - BOSCH | 2684-G | 11556 | P-344001 | 1 40 |



Master Cylinder



Front Caliper



Front Wheel Cylinder



Clutch Master Cylinder



Front Caliper Guides



Pressure Regulating Valve



Rear Caliper



Rear Wheel Cylinder



Clutch Slave Cylinder



Rear Caliper Guides

Ø
(mm.)

VERSION

**PORSCHE**

1 of 1

356

| | | | | | | | | | |
|--|------------------|-------------|----|-----|---------------|--|--|--|--|
| | 1600 (2 PISTONS) | 01-63→01-65 | 36 | ATE | 6231-G | | | | |
|--|------------------|-------------|----|-----|---------------|--|--|--|--|

911

| | | | | | | | | | |
|--|-----------------------|-------------|------|-------|---------------|-------|----------|---|------|
| | (997) CARRERA - TARGA | 09-97→ | 23,8 | LUCAS | 3467-G | | | | |
| | ALL TYPES | 01-63→09-97 | 48 | ATE | 3356-G | 10821 | P-483001 | 2 | 30 |
| | ALL TYPES | 01-63→11-90 | 38 | ATE | 3451-G | 10603 | P-382901 | 2 | 29,9 |
| | (964 - 993) | 01-63→09-97 | 42 | ATE | 3370-G | 10777 | P-422901 | 2 | 29,5 |

914

| | | | | | | | | | |
|--|-----------------------------|-------------|----|-----|---------------|-------|----------|---|------|
| | ALL TYPES (2 PISTONS) | 01-69→01-76 | 42 | ATE | 4970-G | | | | |
| | 1.7 - 1.8 - 2.0 (2 PISTONS) | 01-70→01-76 | 33 | ATE | 3419-G | | | | |
| | 914-6 | 01-70→01-72 | 38 | ATE | 3371-G | 10737 | P-383001 | 2 | 30,5 |
| | | | | | | 11656 | K-383001 | 2 | 30,5 |

924

| | | | | | | | | | |
|--|-----------|-------------|------|-----|---------------|-------|----------|---|----|
| | ALL TYPES | 01-76→01-86 | 48 | ATE | 3079-G | | | | |
| | ALL TYPES | 11-78→ | 54 | ATE | 3647-G | 11826 | P-545304 | 1 | 53 |
| | 2.0 | 01-76→01-85 | 22,2 | | 2664-G | | | | |
| | ALL TYPES | 01-79→01-92 | 36 | ATE | 4764-G | | | | |

928

| | | | | | | | | | |
|--|---------------------------------|-------------|----|--------|---------------|-------|----------|---|----|
| | 4.4 CH. 92A0800750→ (SOFT BOOT) | | 54 | ATE | 3073-G | | | | |
| | 928S | 09-79→05-94 | | | | | | | |
| | ALL TYPES (→CH.92A0800749) | 01-77→12-79 | 54 | ATE | 3647-G | 11826 | P-545304 | 1 | 53 |
| | TURBO (2 PISTONS 28-30MM) | 08-84→00-89 | 27 | BREMBO | 11498 | 11498 | P-303201 | 2 | 32 |
| | | | | | | | P-283201 | 2 | 32 |
| | ALL TYPES | 01-79→01-92 | 36 | ATE | 4764-G | | | | |

944

| | | | | | | | | | |
|--|---------------------------|-------------|----|--------|---------------|-------|----------|---|----|
| | 2.5 T (2 PISTONS 36-40MM) | 08-85→07-91 | 36 | BREMBO | 6059-G | | | | |
| | ALL TYPES | 10-81→ | 54 | ATE | 3647-G | 11826 | P-545304 | 1 | 53 |
| | TURBO (2 PISTONS 28-30MM) | 08-85→00-87 | 27 | BREMBO | 11498 | 11498 | P-303201 | 2 | 32 |
| | | | | | | | P-283201 | 2 | 32 |
| | 944 TURBO S2 | 08-85→07-91 | 28 | BREMBO | 6217-G | 11001 | P-303202 | 2 | 32 |
| | | | | | | | P-283202 | 2 | 32 |
| | ALL TYPES | 01-79→01-92 | 36 | ATE | 4764-G | | | | |

BOXTER

| | | | | | | | | | |
|--|-----------------|-------------|------|-------|---------------|--|--|--|--|
| | CARRERA - TARGA | 09-96→07-02 | 23,8 | LUCAS | 3467-G | | | | |
| | ALL TYPES | 09-96→ | 22,2 | SACHS | 3468-G | | | | |
| | ALL TYPES | 09-96→ | 22,2 | SACHS | 4520-G | | | | |

CAYENNE

| | | | | | | | | | |
|--|-----------|--------|----|-----|---------------|-------|----------|---|------|
| | ALL TYPES | 09-02→ | 44 | ATE | 4891-G | 11753 | P-445501 | 1 | 55,5 |
|--|-----------|--------|----|-----|---------------|-------|----------|---|------|



Master Cylinder



Front Caliper



Front Wheel Cylinder



Clutch Master Cylinder



Front Caliper Guides



Pressure Regulating Valve



Rear Caliper



Rear Wheel Cylinder



Clutch Slave Cylinder



Rear Caliper Guides



∅
(mm.)

VERSION



RENAULT

1 of 17

ALPINE

| | | | | | | | | | |
|--|------------------------------|-------------|------|----------------|----------------|-------|----------|---|----|
| | A110 - A310 (DOBLE CIRCUIT) | 01-66→12-84 | 19 | | 3970-G | | | | |
| | A 310 V6 | 01-71→12-84 | 48 | BEDNIX - BOSCH | 3038-G | | | | |
| | A 310 (S3A COMP.) | 01-66→01-73 | 54 | BEDNIX - BOSCH | 3237-G | 10920 | P-544702 | 1 | 47 |
| | A 310 V6 | 01-71→12-84 | 54 | BEDNIX - BOSCH | 3498-G | | | | |
| | A 310 V6 | 01-71→12-84 | 20 | BEDNIX - BOSCH | 30038-G | | | | |
| | A610 | 01-91→04-95 | 57 | BEDNIX - BOSCH | 3586-G | | | | |
| | A610 | 01-91→04-95 | 57 | BOSCH | 4644-G | | | | |
| | A 310 | 01-71→12-84 | 19 | BEDNIX - BOSCH | 3175-G | | | | |
| | ALL TYPES (RUBBER SEAL TYPE) | 01-71→12-84 | 28,6 | BEDNIX - BOSCH | 3434-G | | | | |

AVANTIME

| | | | | | | | | | |
|--|-----------|-------------|------|-------|----------------|-------|----------|---|----|
| | ALL TYPES | 09-01→05-03 | 23,8 | ATE | 4961-G | | | | |
| | ALL TYPES | 09-01→05-03 | 40 | LUCAS | 4755-G | 10608 | P-455301 | 1 | 53 |
| | | | | | | | P-405301 | 1 | 53 |
| | ALL TYPES | 09-01→05-03 | 10 | LUCAS | 30078-G | | | | |
| | ALL TYPES | 09-01→05-03 | 38 | LUCAS | 4442-G | 10520 | P-385101 | 1 | 51 |
| | | | | | | 11651 | K-385101 | 1 | 51 |
| | ALL TYPES | 09-01→05-03 | 8 | LUCAS | 30004-G | | | | |

CAPTUR

| | | | | | | | | | |
|--|-----------|--|----|-----|---------------|-------|----------|---|------|
| | ALL TYPES | | 54 | ATE | 4318-G | 10890 | P-545502 | 1 | 55,5 |
|--|-----------|--|----|-----|---------------|-------|----------|---|------|



Master Cylinder



Front Caliper



Front Wheel Cylinder



Clutch Master Cylinder



Front Caliper Guides



Pressure Regulating Valve



Rear Caliper



Rear Wheel Cylinder



Clutch Slave Cylinder



Rear Caliper Guides

Ø
(mm.)

VERSION

**RENAULT**

2 of 17

CLIO

| | | | | | | | | | |
|--|---|-------------|------|----------------|----------------|-------|----------|---|------|
| | I - II SERIES | 05-90→ | 19 | BEDNIX - BOSCH | 3179-G | | | | |
| | I - II SERIES | 05-90→ | 19 | ATE | 3212-G | | | | |
| | I - II SERIES | 05-90→ | 20,6 | BEDNIX - BOSCH | 3127-G | | | | |
| | I - II - III SERIES | 05-90→ | 20,6 | ATE | 3243-G | | | | |
| | I - II SERIES (ABS) | 05-90→ | 20,6 | BEDNIX - BOSCH | 3486-G | | | | |
| | II SERIES 1.2 - 1.4 - 1.6 - DIESEL (-ABS) | 09-98→ | 20,6 | BEDNIX - BOSCH | 4133-G | | | | |
| | II SERIES 2.0 | 01-00→ | 22,2 | BEDNIX - BOSCH | 4143-G | | | | |
| | III SERIES | 01-05→ | 23,8 | ATE | 4962-G | | | | |
| | III SERIES 2.0 16V - SPORT | 01-05→ | 40 | BREMBO | 4932-G | 11670 | P-402904 | 4 | 29 |
| | I SERIES | 05-90→09-98 | 45 | BEDNIX - BOSCH | 3134-G | 10529 | P-454501 | 1 | 45 |
| | I SERIES | 05-90→09-98 | 48 | BEDNIX - BOSCH | 3076-G | 10554 | P-485002 | 1 | 50,5 |
| | I - II SERIES | 05-90→ | 48 | LUCAS | 3359-G | 10540 | P-485302 | 1 | 53,6 |
| | IV SERIES | 11-12→ | 48 | ATE | 4776-G | | | | |
| | III SERIES - GRANDTOUR | 01-05→ | 54 | LUCAS | 3649-G | 10571 | P-545301 | 1 | 53,7 |
| | II SERIES 2.0 | 01-00→ | 54 | LUCAS | 4745-G | 10572 | P-545301 | 1 | 53,7 |
| | III SERIES - GRANDTOUR | 01-05→ | 8,4 | LUCAS | 30046-G | | | | |
| | I - II SERIES | 05-90→ | 10 | LUCAS | 30011-G | | | | |
| | II SERIES 2.0 | 01-00→ | 10 | LUCAS | 30155-G | | | | |
| | I SERIES | 05-90→09-98 | 12 | LUCAS | 30089-G | | | | |
| | I SERIES (CALIPER 48MM) | 05-90→09-98 | 20 | BEDNIX - BOSCH | 30037-G | | | | |
| | I SERIES (CALIPER 45MM) | 05-90→09-98 | 20 | BEDNIX - BOSCH | 30123-G | | | | |
| | II SERIES 1.2 - 1.4 - 1.6 - DIESEL | 09-98→ | 17,5 | LUCAS | 3591-G | | | | |
| | II SERIE CLIO 1.2 - 1.4 - DIESEL (-ABS) | 09-98→ | 19 | BEDNIX - BOSCH | 3433-G | | | | |
| | I - II SERIES (PRESSURE REDUCING VALVE) | 05-90→ | 20,6 | LUCAS | 3031-G | | | | |
| | I - II SERIES (PRESSURE REDUCING VALVE) | 05-90→ | 20,6 | BEDNIX - BOSCH | 3326-G | | | | |
| | I - II SERIES | 05-90→ | 30 | BEDNIX - BOSCH | 3317-G | 10639 | P-303801 | 1 | 38,5 |
| | | | | | | 11511 | K-303801 | 1 | 38,5 |
| | II SERIES 1.5dCi - 2.0 16V SPORT | 02-00→ | 30 | BEDNIX - BOSCH | 6218-G | 11015 | P-303801 | 1 | 38,5 |
| | | | | | | 11512 | K-303801 | 1 | 38,5 |
| | III SERIES | 01-05→ | 34 | LUCAS | 3384-G | 10514 | P-334601 | 1 | 46,8 |
| | | | | | | 11562 | K-334601 | 1 | 46,8 |
| | III SERIES 2.0 SPORT | 02-06→ | 38 | LUCAS | 4442-G | 10520 | P-385101 | 1 | 51 |
| | | | | | | 11651 | K-385101 | 1 | 51 |
| | II SERIES SPORT | 01-00→ | 57 | BOSCH | 4644-G | | | | |
| | III - IV SERIES | 06-05→ | 8 | LUCAS | 30004-G | | | | |
| | III SERIES 2.0 SPORT | 02-06→ | 8 | LUCAS | 30050-G | | | | |
| | I - II SERIES | 05-90→ | 20 | BEDNIX - BOSCH | 30038-G | | | | |



Master Cylinder



Front Caliper



Front Wheel Cylinder



Clutch Master Cylinder



Front Caliper Guides



Pressure Regulating Valve



Rear Caliper



Rear Wheel Cylinder



Clutch Slave Cylinder



Rear Caliper Guides

Ø
(mm.)

VERSION

**RENAULT**

3 of 17

ESPACE

| | | | | | | | | | |
|--|------------------------------------|-------------|------|----------------|----------------|-------|------------|---|------|
| | I SERIES | 07-84→12-92 | 20,6 | ATE | 3040-G | | | | |
| | II SERIES | 01-91→12-96 | 20,6 | BEDNIX - BOSCH | 3127-G | | | | |
| | II SERIES (COMPACT TYPE) | 01-91→12-96 | 20,6 | ATE | 3243-G | | | | |
| | II SERIES V6 RT - RXE | 01-91→12-96 | 23,8 | BEDNIX - BOSCH | 3402-G | | | | |
| | III SERIES | 11-96→10-02 | 23,8 | ATE | 4961-G | | | | |
| | III SERIES 3.0V6 | 11-96→10-02 | 40 | LUCAS | 3645-G | 10609 | P-455301 | 1 | 53 |
| | | | | | | | P-405301 | 1 | 53 |
| | III SERIES 2.2 dCi | 11-96→10-02 | 40 | LUCAS | 4755-G | 10608 | P-455301 | 1 | 53 |
| | | | | | | | P-405301 | 1 | 53 |
| | III SERIES | 11-96→10-02 | 40 | LUCAS | 6026-G | | | | |
| | I - II SERIES | 07-84→12-96 | 54 | LUCAS | 3300-G | 10569 | P-545301 | 1 | 53,7 |
| | I SERIES | 07-84→12-92 | 54 | BEDNIX - BOSCH | 3498-G | 10894 | P-544903 | 1 | 49 |
| | III SERIES | 11-96→10-02 | 54 | LUCAS | 4745-G | 10572 | P-545301 | 1 | 53,7 |
| | II - III SERIES | 01-91→10-02 | 60 | LUCAS | 3135-G | 10592 | P-605301 | 1 | 53 |
| | IV SERIES (HARD BOOT) | 10-02→ | 60 | ATE | 4565-G | 10963 | P-605502 | 1 | 55,5 |
| | II SERIES | 01-91→12-96 | 10 | LUCAS | 30011-G | | | | |
| | III SERIES (CALIPER 40-45MM) | 11-96→10-02 | 10 | LUCAS | 30078-G | | | | |
| | III SERIES (CALIPER 60MM) | 11-96→10-02 | 10 | LUCAS | 30155-G | | | | |
| | I - II - III SERIES (CALIPER 54MM) | 10-84→10-02 | 12 | LUCAS | 30089-G | | | | |
| | I SERIES | 07-84→12-92 | 20 | BEDNIX - BOSCH | 30038-G | | | | |
| | I - II - III SERIES | 07-84→12-92 | 22,2 | LUCAS | 3063-G | | | | |
| | I SERIES | 07-84→12-92 | 22,2 | BEDNIX - BOSCH | 3187-G | | | | |
| | I - II SERIES (-4WD) | 07-84→12-96 | 36 | BEDNIX - BOSCH | 3319-G | 10724 | P-364503 | 1 | 45,5 |
| | I - II SERIES (4WD) | | | | | 10723 | P-364502 | 1 | 45,5 |
| | III SERIES 3.0 | 11-96→10-02 | 36 | BREMBO | 4367-G | 10602 | P-365101 | 1 | 50,9 |
| | | | | | | 11612 | K-365101-R | 1 | 50,9 |
| | | | | | | 11611 | K-365101-L | 1 | 50,9 |
| | III SERIES 2.0 - 2.2 dCi | 11-96→10-02 | 38 | LUCAS | 4442-G | 10520 | P-385101 | 1 | 51 |
| | | | | | | 11651 | K-385101 | 1 | 51 |
| | IV SERIES | 11-02→ | 38 | ATE | 4797-G | 10667 | P-384902 | 1 | 49,7 |
| | | | | | | 11646 | K-384902 | 1 | 49,7 |
| | III SERIES | 11-96→10-02 | 8 | LUCAS | 30004-G | | | | |
| | III SERIES | 11-96→10-02 | 22 | BREMBO | 30127-G | | | | |
| | SERIES II V6 | 01-91→12-96 | 19 | BEDNIX - BOSCH | 3175-G | | | | |
| | II SERIES V6 (RUBBER SEAL TYPE) | 01-91→12-96 | 28,6 | BEDNIX - BOSCH | 3434-G | | | | |

ESTAFETTE

| | | | | | | | | | |
|--|--|-------------|------|----------------|----------------|--|--|--|--|
| | R2137 (1000 KGS. + SERVO) (SIMPLE CIRCUIT) | 01-64→01-75 | 19 | BEDNIX - BOSCH | 2766-GV | | | | |
| | ALL TYPES (DOBLE CIRCUIT) | 01-75→ | 19 | ATE | 3019-G | | | | |
| | ALL TYPES (SIMPLE CIRCUIT) | 01-67→01-75 | 20,6 | BEDNIX - BOSCH | 3120-G | | | | |
| | ALL TYPES | 01-59→01-62 | 25,4 | BEDNIX - BOSCH | 2596-G | | | | |
| | ALL TYPES | | 28,6 | BEDNIX - BOSCH | 10174-G | | | | |
| | ALL TYPES | 01-64→01-67 | 19 | BEDNIX - BOSCH | 2595-G | | | | |
| | ALL TYPES | 01-67→ | 22,2 | BEDNIX - BOSCH | 2602-G | | | | |



Master Cylinder



Front Caliper



Front Wheel Cylinder



Clutch Master Cylinder



Front Caliper Guides



Pressure Regulating Valve



Rear Caliper



Rear Wheel Cylinder



Clutch Slave Cylinder



Rear Caliper Guides



Ø
(mm.)

VERSION



RENAULT

4 of 17

EXPRESS

| | | | | | | | | | |
|--|---------------------------------------|-------------|------|----------------|----------------|-------|----------|---|------|
| | I - II - III SERIES | 01-85→10-99 | 19 | BEDNIX - BOSCH | 3179-G | | | | |
| | I - II - III SERIES | 01-85→10-99 | 19 | ATE | 3212-G | | | | |
| | II - III SERIES | 01-91→10-99 | 19 | LUCAS | 3308-G | | | | |
| | II - III SERIES | 01-91→10-99 | 20,6 | BEDNIX - BOSCH | 3127-G | | | | |
| | I - II - III SERIES | 01-85→10-99 | 45 | BEDNIX - BOSCH | 3134-G | 10529 | P-454501 | 1 | 45 |
| | I SERIES | 01-85→01-92 | 45 | LUCAS | 3673-G | 10702 | P-454801 | 1 | 48 |
| | I - II - III SERIES | 01-85→10-99 | 48 | BEDNIX - BOSCH | 3076-G | 10554 | P-485002 | 1 | 50,5 |
| | II - III SERIES | 01-91→10-99 | 48 | LUCAS | 3359-G | 10540 | P-485302 | 1 | 53,6 |
| | II - III SERIES | 01-91→11-99 | 10 | LUCAS | 30011-G | | | | |
| | I SERIES | 01-85→01-92 | 12 | LUCAS | 30089-G | | | | |
| | I - II - III SERIES (CALIPER 48MM) | 01-85→10-99 | 20 | BEDNIX - BOSCH | 30037-G | | | | |
| | I - II - III SERIES (CALIPER 45MM) | 01-85→10-99 | 20 | BEDNIX - BOSCH | 30123-G | | | | |
| | I - II - III SERIES (MULTI LINK AXLE) | 01-85→10-99 | 22,2 | LUCAS | 3063-G | | | | |
| | I - II - III SERIES | 01-85→10-99 | 22,2 | LUCAS | 3080-G | | | | |
| | I - II - III SERIES | 01-85→10-99 | 22,2 | BEDNIX - BOSCH | 3187-G | | | | |

FLUENCE

| | | | | | | | | | |
|--|-----------|--------|----|-------|----------------|-------|----------|---|------|
| | ALL TYPES | 02-10→ | 54 | ATE | 4318-G | 11378 | P-545003 | 1 | 50,5 |
| | ALL TYPES | 02-10→ | 34 | TRW | 6007-G | 10677 | P-334601 | 1 | 46,8 |
| | | | | | | 11563 | K-334601 | 1 | 46,8 |
| | ALL TYPES | 02-10→ | 8 | LUCAS | 30004-G | | | | |

FUEGO

| | | | | | | | | | |
|--|--|-------------|------|----------------|----------------|-------|----------|---|------|
| | ALL TYPES | 02-80→11-92 | 19 | BEDNIX - BOSCH | 3042-G | | | | |
| | ALL TYPES | 02-80→11-92 | 20,6 | ATE | 3040-G | | | | |
| | ALL TYPES | 02-80→11-92 | 20,6 | BEDNIX - BOSCH | 4878-G | | | | |
| | TL - GTL | 02-80→10-85 | 48 | BEDNIX - BOSCH | 3107-G | | | | |
| | ALL TYPES | 02-80→11-92 | 48 | LUCAS | 3359-G | 10540 | P-485302 | 1 | 53,6 |
| | ALL TYPES | 02-80→10-85 | 54 | LUCAS | 3300-G | 10569 | P-545301 | 1 | 53,7 |
| | TS - GTS - TX - GTX (VENTILATED DISCS) | 07-83→11-92 | 54 | BEDNIX - BOSCH | 3498-G | 10894 | P-544903 | 1 | 49 |
| | | 02-80→06-83 | | | | 10923 | P-544602 | 1 | 46,8 |
| | ALL TYPES | 02-80→11-92 | 10 | LUCAS | 30011-G | | | | |
| | ALL TYPES | 02-80→11-92 | 12 | LUCAS | 30089-G | | | | |
| | TS - GTS - TX - GTX (VENTILATED DISCS) | 02-80→11-92 | 20 | BEDNIX - BOSCH | 30038-G | | | | |
| | ALL TYPES | 02-80→11-92 | 22,2 | LUCAS | 3080-G | | | | |
| | ALL TYPES | 02-80→11-92 | 22,2 | BEDNIX - BOSCH | 3187-G | | | | |
| | TURBO (R1365) (ABS) | 01-83→ | 36 | BEDNIX - BOSCH | 3319-G | 10724 | P-364503 | 1 | 45,5 |



Master Cylinder



Front Caliper



Front Wheel Cylinder



Clutch Master Cylinder



Front Caliper Guides



Pressure Regulating Valve



Rear Caliper



Rear Wheel Cylinder



Clutch Slave Cylinder



Rear Caliper Guides

Ø
(mm.)

VERSION

**RENAULT**

5 of 17

GRAND SCENIC

| | | | | | | | | | |
|--|---------------------------------|--------|------|-------|----------------|-------|----------|---|------|
| | II SERIES | 04-04→ | 23,8 | LUCAS | 6029-G | | | | |
| | II SERIES | 04-04→ | 54 | ATE | 4318-G | 10890 | P-545502 | 1 | 55,5 |
| | III SERIES 1.5 dCi | 04-09→ | | | | | P-545502 | 1 | 55,5 |
| | II SERIES | 04-04→ | 54 | BOSCH | 4632-G | 10568 | P-545201 | 1 | 52,5 |
| | II SERIES | 04-04→ | 10 | BOSCH | 30014-G | | | | |
| | III SERIES (ELECTRIC HANDBRAKE) | 04-09→ | 34 | TRW | 6225-G | 11573 | P-345201 | 1 | 52 |
| | II SERIES | 04-04→ | 38 | LUCAS | 4442-G | 10520 | P-385101 | 1 | 51 |
| | | | | | | | K-385101 | 1 | 51 |
| | III SERIES (ELECTRIC HANDBRAKE) | 04-09→ | 38 | TRW | 6188-G | 11629 | P-385202 | 1 | 52 |
| | II SERIES | 04-04→ | 8 | TRW | 30050-G | | | | |

KANGOO

| | | | | | | | | | |
|--|------------------|-------------|------|----------------|----------------|-------|------------|---|------|
| | ALL TYPES (-ABS) | 08-97→ | 22,2 | BEDNIX - BOSCH | 4143-G | | | | |
| | ALL TYPES | 08-97→ | 54 | BEDNIX - BOSCH | 3639-G | 10578 | P-545001 | 1 | 50,5 |
| | 1.5 dCi - 1.6 | 02-08→ | 54 | LUCAS | 3649-G | 10571 | P-545301 | 1 | 53,7 |
| | ALL TYPES (ABS) | 08-97→ | 54 | BOSCH | 4632-G | 10568 | P-545201 | 1 | 52,5 |
| | ALL TYPES (-ABS) | | | | | 10912 | P-545001 | 1 | 50,5 |
| | ALL TYPES | 08-97→ | 7 | BOSCH | 30000-G | | | | |
| | ALL TYPES | 02-08→ | 8,4 | LUCAS | 30046-G | | | | |
| | ALL TYPES | 08-97→ | 22,2 | BOSCH | 4940-G | | | | |
| | ALL TYPES | 02-08→ | 38 | LUCAS | 4442-G | 10520 | P-385101 | 1 | 51 |
| | | | | | | 11651 | K-385101 | 1 | 51 |
| | ALL TYPES | 08-97→06-01 | 38 | BOSCH | 4661-G | 10635 | P-385102 | 1 | 51 |
| | | | | | | 11621 | K-385102-R | 1 | 51 |
| | | | | | | 11620 | K-385102-L | 1 | 51 |
| | ALL TYPES | 06-01→ | 38 | BOSCH | 4890-G | 10684 | P-385103 | 1 | 51 |
| | | | | | | 11662 | K-385103-R | 1 | 51 |
| | | | | | | 11661 | K-385103-L | 1 | 51 |
| | ALL TYPES | 02-08→ | 8 | LUCAS | 30004-G | | | | |

KOLEOS

| | | | | | | | | | |
|--|-----------|--------|----|---------|---------------|-------|----------|---|----|
| | ALL TYPES | 09-08→ | 45 | NISSAN | 6150-G | 11768 | P-455102 | 2 | 51 |
| | ALL TYPES | 09-08→ | 43 | AKEBONO | 6187-G | 11259 | P-434505 | 1 | 45 |



Master Cylinder



Front Caliper



Front Wheel Cylinder



Clutch Master Cylinder



Front Caliper Guides



Pressure Regulating Valve



Rear Caliper



Rear Wheel Cylinder



Clutch Slave Cylinder



Rear Caliper Guides

Ø
(mm.)

VERSION

**RENAULT**

6 of 17

LAGUNA

| | | | | | | | | | |
|--|---------------------------|-------------|------|----------------|----------------|-------|------------|---|------|
| | I SERIES (CAST IRON BODY) | 11-93→03-01 | 22,2 | ATE | 3520-G | | | | |
| | I SERIES (-ABS) | 11-93→03-01 | 23,8 | BEDNIX - BOSCH | 3402-G | | | | |
| | I SERIES (-ABS) | 11-93→03-01 | 23,8 | LUCAS | 4684-G | | | | |
| | I SERIES 1.8 | 11-93→03-01 | 48 | LUCAS | 3267-G | 10537 | P-485302 | 1 | 53,6 |
| | I SERIES | 11-93→03-01 | 54 | LUCAS | 4745-G | 10572 | P-545301 | 1 | 53,7 |
| | II SERIES | 03-01→ | 57 | ATE | 4768-G | 10589 | P-575504 | 1 | 55,4 |
| | I SERIES | 11-93→03-01 | 60 | LUCAS | 3135-G | 10592 | P-605301 | 1 | 53 |
| | II SERIES | 03-01→ | 60 | ATE | 4565-G | 10963 | P-605502 | 1 | 55,5 |
| | I - II SERIES | 11-93→ | 8 | LUCAS | 30003-G | | | | |
| | I SERIES | 11-93→03-01 | 10 | LUCAS | 30155-G | | | | |
| | II SERIES | 03-01→ | 36 | BREMBO | 4367-G | 10602 | P-365101 | 1 | 50,9 |
| | | | | | | 11612 | K-365101-R | 1 | 50,9 |
| | | | | | | 11611 | K-365101-L | 1 | 50,9 |
| | II SERIES | 01-01→ | 36 | ATE | 4648-G | | | | |
| | II SERIES | 03-01→ | 38 | ATE | 4797-G | 10667 | P-384902 | 1 | 49,7 |
| | | | | | | 11646 | K-384902 | 1 | 49,7 |
| | I SERIES | 11-93→03-01 | 22 | BREMBO | 30127-G | | | | |
| | II SERIES | 03-01→ | 15,9 | VALEO | 4815-G | | | | |

MASCOTT

| | | | | | | | | | |
|--|------------------------------|-------------|----|--------|----------------|-------|----------|---|------|
| | ALL TYPES (TWIN REAR WHEELS) | 01-99→ | 44 | BREMBO | 4920-G | 10700 | P-446101 | 2 | 61 |
| | 5.5 - 6 - 6.5 TON | 01-99→ | 52 | BREMBO | 4947-G | 11362 | P-526001 | 2 | 60,5 |
| | ALL TYPES (TWIN REAR WHEELS) | 01-99→ | 18 | BREMBO | 30032-G | | | | |
| | 5.5 - 6 - 6.5 TON | 01-99→ | 18 | BREMBO | 30035-G | | | | |
| | ALL TYPES (TWIN REAR WHEELS) | 01-99→ | 44 | BREMBO | 4920-G | 10700 | P-446101 | 2 | 61 |
| | ALL TYPES | 01-99→06-04 | 46 | BREMBO | 4972-G | 11308 | P-465901 | 2 | 59,5 |
| | ALL TYPES | 01-99→06-04 | 18 | BREMBO | 30032-G | | | | |

MASTER

| | | | | | | | | | |
|--|---|-------------|------|----------------|----------------|-------|------------|---|------|
| | II SERIES | 03-98→ | 23,8 | BOSCH | 4685-G | | | | |
| | II SERIES 2.5 dCi | 08-06→ | 23,8 | BOSCH | 6125-G | | | | |
| | II SERIES | 03-98→ | 45 | BOSCH | 4664-G | 10811 | P-455101 | 2 | 51 |
| | I SERIES | 07-80→07-98 | 48 | LUCAS | 4418-G | 10616 | P-482901 | 4 | 29 |
| | III SERIES | 02-10→ | 48 | BREMBO | 6288-G | 11793 | P-485506 | 2 | 55,5 |
| | I SERIES | 08-93→07-98 | 52 | BEDNIX - BOSCH | 3058-G | 10876 | P-525001 | 2 | 50,2 |
| | III SERIES | 02-10→ | 18 | BREMBO | 30117-G | | | | |
| | II SERIES | 07-98→ | 20 | BOSCH | 30118-G | | | | |
| | I SERIES | 07-80→07-98 | 25,4 | LUCAS | 3653-G | | | | |
| | II SERIES | 07-98→ | 42 | BOSCH | 4662-G | 10772 | P-425103 | 1 | 51 |
| | | | | | | 11720 | K-425103-R | 1 | 51 |
| | | | | | | 11719 | K-425103-L | 1 | 51 |
| | III SERIES 2.3 dCi - SINGLE REAR WHEELS | 02-10→ | 48 | BREMBO | 6149-G | 11795 | P-485303 | 1 | 53,5 |
| | | | | | | 11843 | K-485303 | 1 | 53,5 |
| | III SERIES 2.3 dCi - TWIN REAR WHEELS | 02-10→ | 60 | BREMBO | 6327-G | 11473 | P-605401 | 1 | 54 |
| | | | | | | 11845 | K-605401 | 1 | 54 |
| | II SERIES | 07-98→ | 10 | BOSCH | 30014-G | | | | |
| | III SERIES (SINGLE REAR WHEELS) | 02-10→ | 18 | BREMBO | 30117-G | | | | |



Master Cylinder



Front Caliper



Front Wheel Cylinder



Clutch Master Cylinder



Front Caliper Guides



Pressure Regulating Valve



Rear Caliper



Rear Wheel Cylinder



Clutch Slave Cylinder



Rear Caliper Guides

Ø
(mm.)

VERSION



RENAULT

7 of 17

MEGANE

| | | | | | | | | | |
|--|-------------------------------------|-------------|------|----------------|----------------|-------|----------|---|------|
| | I SERIES | 08-95→08-03 | 19 | BEDNIX - BOSCH | 3179-G | | | | |
| | II SERIES | 11-02→ | 19 | ATE | 3212-G | | | | |
| | I SERIES | 08-95→08-03 | 20,6 | BEDNIX - BOSCH | 3127-G | | | | |
| | I SERIES | 08-95→08-03 | 20,6 | ATE | 3243-G | | | | |
| | I SERIES (ABS-CMTC) | 08-95→08-03 | 20,6 | BEDNIX - BOSCH | 3486-G | | | | |
| | I SERIES 2.0 16V (CMTC) | 08-95→08-03 | 23,8 | BEDNIX - BOSCH | 3402-G | | | | |
| | II SERIES | 11-02→ | 23,8 | LUCAS | 6029-G | | | | |
| | II SERIES 2.0 SPORT - 2.0 TURBO | 05-04→ | 40 | BREMBO | 4932-G | 11670 | P-402904 | 4 | 29 |
| | I SERIES | 08-95→08-03 | 48 | LUCAS | 3359-G | 10540 | P-485302 | 1 | 53,6 |
| | II SERIES | 11-02→ | 54 | ATE | 4318-G | 10890 | P-545502 | 1 | 55,5 |
| | III SERIES - CC | 11-08→ | | | | 11378 | P-545003 | 1 | 50,5 |
| | II SERIES | 11-02→ | 54 | BOSCH | 4632-G | 10568 | P-545201 | 1 | 52,5 |
| | I SERIES | 08-95→08-03 | 54 | LUCAS | 4745-G | 10572 | P-545301 | 1 | 53,7 |
| | II SERIES | 11-02→ | 54 | ATE | 6033-G | | | | |
| | I SERIES (CALIPER 48MM) | 08-95→08-03 | 8 | LUCAS | 30003-G | | | | |
| | I SERIES (DISC 22MM) (CALIPER 54MM) | 08-95→08-03 | 10 | LUCAS | 30011-G | | | | |
| | II SERIES | 11-02→ | 10 | BOSCH | 30014-G | | | | |
| | I SERIES (DISC 24MM) (CALIPER 54MM) | 08-95→08-03 | 10 | LUCAS | 30155-G | | | | |
| | I SERIES | 08-95→08-03 | 17,5 | BEDNIX - BOSCH | 4167-G | | | | |
| | I SERIES 2.0 16V | 08-95→ | 30 | BEDNIX - BOSCH | 6218-G | 11015 | P-303801 | 1 | 38,5 |
| | | | | | | 11512 | K-303801 | 1 | 38,5 |
| | I SERIES | 08-95→08-03 | 34 | LUCAS | 3384-G | 10514 | P-334601 | 1 | 46,8 |
| | | | | | | 11562 | K-334601 | 1 | 46,8 |
| | II SERIES (EXCEPT 2.0 SPORT) | 11-02→ | 34 | LUCAS | 6007-G | 10677 | P-334601 | 1 | 46,8 |
| | | | | | | 11563 | K-334601 | 1 | 46,8 |
| | II SERIES | 11-02→ | 34 | LUCAS | 6008-G | | | | |
| | III SERIES (ELECTRIC HANDBRAKE) | 06-10→ | 34 | TRW | 6225-G | 11573 | P-345201 | 1 | 52 |
| | II SERIES 2.0 SPORT | 11-02→ | 38 | LUCAS | 4442-G | 10520 | P-385101 | 1 | 51 |
| | | | | | | 11651 | K-385101 | 1 | 51 |
| | II SERIES | 11-02→ | 38 | ATE | 4797-G | 10667 | P-384902 | 1 | 49,7 |
| | | | | | | 11646 | K-384902 | 1 | 49,7 |
| | III SERIES | 06-10→ | 8 | LUCAS | 30004-G | | | | |
| | I - II SERIES | 03-99→ | 8 | TRW | 30050-G | | | | |
| | I SERIES 2.0 16V | 08-95→08-03 | 20 | BEDNIX - BOSCH | 30038-G | | | | |

MEGANE SCENIC

| | | | | | | | | | |
|--|----------------------|-------------|------|----------------|----------------|-------|----------|---|------|
| | ALL TYPES | 10-96→10-99 | 19 | BEDNIX - BOSCH | 3179-G | | | | |
| | ALL TYPES | 10-96→10-99 | 20,6 | BEDNIX - BOSCH | 3127-G | | | | |
| | ALL TYPES | 10-96→10-99 | 20,6 | ATE | 3243-G | | | | |
| | ALL TYPES | 10-96→10-99 | 48 | LUCAS | 3359-G | 10540 | P-485302 | 1 | 53,6 |
| | ALL TYPES | 10-96→10-99 | 54 | LUCAS | 4745-G | 10572 | P-545301 | 1 | 53,7 |
| | ALL TYPES | 10-96→10-99 | 10 | LUCAS | 30011-G | | | | |
| | ALL TYPES EXCEPT 1.6 | 10-96→10-99 | 34 | LUCAS | 3384-G | 10514 | P-334601 | 1 | 46,8 |
| | | | | | | 11562 | K-334601 | 1 | 46,8 |
| | 1.6 16V | 04-98→10-99 | 8 | TRW | 30050-G | | | | |



Master Cylinder



Front Caliper



Front Wheel Cylinder



Clutch Master Cylinder



Front Caliper Guides



Pressure Regulating Valve



Rear Caliper



Rear Wheel Cylinder



Clutch Slave Cylinder



Rear Caliper Guides

Ø
(mm.)

VERSION

**RENAULT**

8 of 17

MODUS

| | | | | | | | | |
|--|-----------|--------|------|-------|----------------|-------|----------|--------|
| | ALL TYPES | 12-04→ | 23,8 | ATE | 4853-G | | | |
| | ALL TYPES | 12-04→ | 54 | LUCAS | 3649-G | 10571 | P-545301 | 1 53,7 |
| | ALL TYPES | 12-04→ | 8,4 | LUCAS | 30046-G | | | |
| | ALL TYPES | | 19 | | 4863-G | | | |
| | ALL TYPES | 12-04→ | 34 | LUCAS | 3384-G | 10514 | P-334601 | 1 46,8 |
| | ALL TYPES | | | | | 11562 | K-334601 | 1 46,8 |
| | ALL TYPES | 12-04→ | 8 | LUCAS | 30004-G | | | |

R.V.I (RENAULT TRUCKS)

| | | | | | | | | |
|--|--|--------|-------|----------------|----------------|-------|----------|--------|
| | B80 - 90 - 100 - 110 - 120 | | 30 | BEDNIX - BOSCH | 3277-G | | | |
| | S110-180 | | 41,3 | | 3275-GV | | | |
| | SB-2 - SG1 - SG-2 - SG-3 | | 31,8 | BEDNIX - BOSCH | 10218-G | | | |
| | S110 | | 38,1 | BEDNIX - BOSCH | 3272-G | | | |
| | JE13 - 15 | →06-91 | 38,1 | AP LOCKHEED | 4888-G | | | |
| | JR - JX19 - 21 | →01-82 | | | | | | |
| | JP11 - 13 | →01-84 | | | | | | |
| | ME - SE - CE - 160 - 180 - 210 | →01-02 | | | | | | |
| | S110-180 | | 41,3 | BEDNIX - BOSCH | 3278-G | | | |
| | SB-2 - SG-3 | | 44,4 | BEDNIX - BOSCH | 10220-G | | | |
| | B80 - 90 - 100 - 110 - 120 (2 PISTONS) | | 52 | BEDNIX - BOSCH | 3058-G | | | |
| | MIDLINER S120 - S140 16" | 03-92→ | 60 | TRW | 4498-G | 10964 | P-606301 | 2 63,3 |
| | M 150-230 - S 120-180 | | 66 | BEDNIX - BOSCH | 3286-G | | | |
| | B80 - 90 - 100 - 110 - 120 | | 28,6 | BEDNIX - BOSCH | 3271-G | | | |
| | SB-2 - SG-3 | | 31,8 | | 10219-G | | | |
| | B80 - 90 - 100 - 110 - 120 | | 31,8 | BEDNIX - BOSCH | 3387-G | | | |
| | B80 - 90 - 100 - 110 - 120 | | 41,3 | BEDNIX - BOSCH | 3278-G | | | |
| | S110-180 | | | | | | | |
| | SB-2 - SG-3 | | 44,4 | BEDNIX - BOSCH | 10220-G | | | |
| | S120-180 | | 44,4 | BEDNIX - BOSCH | 3270-G | | | |
| | ME - SE - CE - 160 - 180 - 210 | →01-02 | 44,45 | AP LOCKHEED | 4889-G | | | |
| | JR - JX19 - 21 | →01-82 | | | | | | |
| | MIDLINER S130 - 150TI - 170 (VF6JP) | →01-90 | | | | | | |
| | JP11 - 13 | →01-84 | | | | | | |
| | JE13 - 15 | →06-91 | | | | | | |
| | S120-180 | | 50,8 | BEDNIX - BOSCH | 3276-G | | | |
| | M - DG - G - S SERIES | | 23,8 | FAG | 3274-G | | | |
| | DR340 - 340T | | 25,4 | BEDNIX - BOSCH | 3269-G | | | |
| | R113 - 93 - 143MA - G93ML | | 25,4 | | 3966-G | | | |
| | ALL TYPES | | 38,1 | FAG | 3273-G | | | |



Master Cylinder



Front Caliper



Front Wheel Cylinder



Clutch Master Cylinder



Front Caliper Guides



Pressure Regulating Valve



Rear Caliper



Rear Wheel Cylinder



Clutch Slave Cylinder



Rear Caliper Guides

Ø
(mm.)

VERSION

**RENAULT**

9 of 17

R12

| | | | | | | | | |
|--|-----------------------------------|-------------|----------------|----------------|---------------|----------|----------|------|
| | ALL TYPES (SIMPLE CIRCUIT) | 19 | BEDNIX - BOSCH | 2766-GV | | | | |
| | ALL TYPES (DOBLE CIRCUIT) | 19 | BEDNIX - BOSCH | 3042-G | | | | |
| | ALL TYPES (SIMPLE CIRCUIT) | 19 | LUCAS | 3121-GV | | | | |
| | ALL TYPES (SIMPLE CIRCUIT) | 20,6 | BEDNIX - BOSCH | 3120-G | | | | |
| | ALL TYPES | 48 | BEDNIX - BOSCH | 3038-G | 10835 | P-484402 | 1 | 44 |
| | ALL TYPES | 03-78→01-80 | 48 | LUCAS | 3267-G | 11343 | P-484806 | 1 48 |
| | R12 GORDINI (S3A COMP.) | 54 | BEDNIX - BOSCH | 3237-G | 10920 | P-544702 | 1 | 47 |
| | L - BERLINE (R1270) (→CH.296080) | 20,6 | BEDNIX - BOSCH | 2674-G | | | | |
| | BREAK | 01-70→ | 22,2 | BEDNIX - BOSCH | 2602-G | | | |
| | S - SLE - TL - TS (SPAIN) | 01-72→ | 22,2 | BEDNIX - BOSCH | 2637-G | | | |
| | TL - TS - BERLINE (R1270 - 1167) | 01-76→ | 22,2 | LUCAS | 3080-G | | | |
| | TL - TS - BERLINE (R1270 - 1167) | 01-69→ | 22,2 | BEDNIX - BOSCH | 3187-G | | | |
| | L - BERLINE (R1270) (CH.296081 →) | | | | | | | |
| | R 12 GORDINI | 36 | BEDNIX - BOSCH | 3319-G | 10724 | P-364503 | 1 | 45,5 |

R14

| | | | | | | | | |
|--|----------------------------------|-------------|----------------|---------------|---------------|----------|---|----|
| | ALL TYPES | 19 | BEDNIX - BOSCH | 3042-G | | | | |
| | ALL TYPES | 48 | BEDNIX - BOSCH | 3038-G | 10835 | P-484402 | 1 | 44 |
| | ALL TYPES | 01-76→01-83 | 48 | ATE | 3079-G | | | |
| | ALL TYPES | 22,2 | BEDNIX - BOSCH | 2637-G | | | | |
| | ALL TYPES | 22,2 | BEDNIX - BOSCH | 3074-G | | | | |
| | ALL TYPES | 22,2 | LUCAS | 3080-G | | | | |
| | ALL TYPES (RUBBER CUP/SEAL TYPE) | 22,2 | BEDNIX - BOSCH | 3187-G | | | | |

R15

| | | | | | | | | |
|--|---------------------------|--------|----------------|----------------|---------------|-------|----------|------|
| | ALL TYPES | 19 | BEDNIX - BOSCH | 3042-G | | | | |
| | ALL TYPES (DOBLE CIRCUIT) | 20,6 | BEDNIX - BOSCH | 3039-G | | | | |
| | ALL TYPES | 20,6 | BEDNIX - BOSCH | 4878-G | | | | |
| | ALL TYPES | →01-74 | 48 | BEDNIX - BOSCH | 3038-G | 10835 | P-484402 | 1 44 |
| | TS (S3A COMP.) | 01-74→ | 54 | BEDNIX - BOSCH | 3237-G | 10920 | P-544702 | 1 47 |
| | ALL TYPES | 22,2 | BEDNIX - BOSCH | 3187-G | | | | |

R16

| | | | | | | | | |
|--|-----------------------------|-------------|----------------|----------------|---------------|-------|----------|------|
| | ALL TYPES (SIMPLE CIRCUIT) | 19 | BEDNIX - BOSCH | 2766-GV | | | | |
| | ALL TYPES (DOBLE CIRCUIT) | 19 | BEDNIX - BOSCH | 3042-G | | | | |
| | MADE IN FRANCE | 20,6 | | 10109 | | | | |
| | ALL TYPES (DOBLE CIRCUIT) | 20,6 | BEDNIX - BOSCH | 3039-G | | | | |
| | ALL TYPES (SIMPLE CIRCUIT) | 20,6 | BEDNIX - BOSCH | 3120-G | | | | |
| | ALL TYPES | 20,6 | BEDNIX - BOSCH | 4878-G | | | | |
| | TX | 01-75→ | 48 | BEDNIX - BOSCH | 3038-G | 10835 | P-484402 | 1 44 |
| | L - TL - TS | 01-68→ | | | | | P-484402 | 1 44 |
| | ALL TYPES | 01-71→01-80 | 48 | LUCAS | 3677-G | 10658 | P-482901 | 2 29 |
| | TX (S3A COMP.) | 01-73→01-75 | 54 | BEDNIX - BOSCH | 3237-G | 10920 | P-544702 | 1 47 |
| | ALL TYPES (RUBBER CUP TYPE) | 22,2 | BEDNIX - BOSCH | 2602-G | | | | |
| | ALL TYPES | 22,2 | LUCAS | 3080-G | | | | |
| | ALL TYPES | 13,7 | | 3066-GV | | | | |



Master Cylinder



Front Caliper



Front Wheel Cylinder



Clutch Master Cylinder



Front Caliper Guides



Pressure Regulating Valve



Rear Caliper



Rear Wheel Cylinder



Clutch Slave Cylinder



Rear Caliper Guides

Ø
(mm.)

VERSION

**RENAULT**

10 of 17

R17

| | | | | | | | | | |
|--|-------------------------------|--------|------|----------------|---------------|-------|----------|---|------|
| | ALL TYPES (DOBLE CIRCUIT) | | 20,6 | BEDNIX - BOSCH | 3039-G | | | | |
| | ALL TYPES | | 20,6 | BEDNIX - BOSCH | 4878-G | | | | |
| | 1.6 - GORDINI | | 48 | BEDNIX - BOSCH | 3038-G | 10835 | P-484402 | 1 | 44 |
| | TL - TS - GORDINI (S3A COMP.) | 01-71→ | 54 | BEDNIX - BOSCH | 3237-G | 10920 | P-544702 | 1 | 47 |
| | TL | 01-71→ | 22,2 | BEDNIX - BOSCH | 2602-G | | | | |
| | ALL TYPES | | 22,2 | LUCAS | 3080-G | | | | |
| | TL | 01-71→ | 22,2 | BEDNIX - BOSCH | 3187-G | | | | |
| | TS GORDINI | 01-71→ | 36 | BEDNIX - BOSCH | 3319-G | 10724 | P-364503 | 1 | 45,5 |

R18

| | | | | | | | | | |
|--|--------------------------|-------------|------|----------------|----------------|-------|----------|---|------|
| | L - TL - GTL - GTS | | 19 | ATE | 3019-G | | | | |
| | L - TL - GTL - TS - GTS | | 19 | BEDNIX - BOSCH | 3042-G | | | | |
| | ALL TYPES | | 19 | LUCAS | 3160-G | | | | |
| | TS - GTS - TD - GTD | 01-80→ | 19 | BEDNIX - BOSCH | 4320-G | | | | |
| | TX - GTX - TURBO (SPAIN) | | 20,6 | ATE | 3040-G | | | | |
| | TS - GTS - TX - GTX | | 20,6 | BEDNIX - BOSCH | 3950-G | | | | |
| | TX - GTX - TURBO | 01-80→ | 20,6 | BEDNIX - BOSCH | 4878-G | | | | |
| | ALL TYPES | 01-78→01-82 | 48 | BEDNIX - BOSCH | 3038-G | 10835 | P-484402 | 1 | 44 |
| | ALL TYPES (S4A COMP.) | | 48 | BEDNIX - BOSCH | 3107-G | | | | |
| | ALL TYPES | 01-82→07-86 | 48 | BEDNIX - BOSCH | 3221-G | 10534 | P-484902 | 1 | 49 |
| | ALL TYPES | 01-78→01-83 | 48 | LUCAS | 3267-G | 11343 | P-484806 | 1 | 48 |
| | ALL TYPES | 01-83→01-87 | 48 | LUCAS | 3359-G | 10540 | P-485302 | 1 | 53,6 |
| | ALL TYPES | | 54 | LUCAS | 3226-G | | | | |
| | 1.6 - 2.0 | 01-80→01-87 | 54 | LUCAS | 3300-G | 10569 | P-545301 | 1 | 53,7 |
| | EXCEPT TS-GTS BREAK | 07-83→ | 54 | BEDNIX - BOSCH | 3498-G | 10894 | P-544903 | 1 | 49 |
| | | →06-83 | | | | 10923 | P-544602 | 1 | 46,8 |
| | TS - GTS BREAK | 10-81→07-92 | | | | | P-544602 | 1 | 46,8 |
| | ALL TYPES | 01-80→01-87 | 10 | LUCAS | 30011-G | | | | |
| | ALL TYPES | 01-78→01-83 | 12 | LUCAS | 30089-G | | | | |
| | ALL TYPES (S4A COMP.) | 01-78→01-82 | 20 | BEDNIX - BOSCH | 30038-G | | | | |
| | BREAK | | 22,2 | BEDNIX - BOSCH | 2602-G | | | | |
| | ALL TYPES | | 22,2 | BEDNIX - BOSCH | 2637-G | | | | |
| | ALL TYPES | | 22,2 | BEDNIX - BOSCH | 3074-G | | | | |
| | BERLINE | | 22,2 | LUCAS | 3080-G | | | | |
| | BERLINE | | 22,2 | BEDNIX - BOSCH | 3187-G | | | | |
| | TURBO (ABS) | | 36 | BEDNIX - BOSCH | 3319-G | 10724 | P-364503 | 1 | 45,5 |



Master Cylinder



Front Caliper



Front Wheel Cylinder



Clutch Master Cylinder



Front Caliper Guides



Pressure Regulating Valve



Rear Caliper



Rear Wheel Cylinder



Clutch Slave Cylinder



Rear Caliper Guides



∅
(mm.)

VERSION



RENAULT

11 of 17

R19 - CHAMADE

| | | | | | | | | | |
|--|-------------------------------------|-------------|------|----------------|----------------|-------|----------|---|------|
| | ALL TYPES | | 19 | BEDNIX - BOSCH | 3179-G | | | | |
| | ALL TYPES | | 19 | ATE | 3212-G | | | | |
| | ALL TYPES | | 20,6 | BEDNIX - BOSCH | 3127-G | | | | |
| | ALL TYPES | | 20,6 | ATE | 3243-G | | | | |
| | ALL TYPES (ABS) | | 20,6 | BEDNIX - BOSCH | 3486-G | | | | |
| | ALL TYPES | 01-88→01-96 | 48 | BEDNIX - BOSCH | 3076-G | 10554 | P-485002 | 1 | 50,5 |
| | ALL TYPES | 01-88→01-96 | 48 | LUCAS | 3359-G | 10540 | P-485302 | 1 | 53,6 |
| | ALL TYPES | 01-88→01-96 | 10 | LUCAS | 30011-G | | | | |
| | ALL TYPES | 01-88→01-96 | 12 | LUCAS | 30089-G | | | | |
| | ALL TYPES EXCEPT 1.4 | 01-88→01-96 | 20 | BEDNIX - BOSCH | 30037-G | | | | |
| | 1.4 | 01-88→01-96 | 20 | BEDNIX - BOSCH | 30123-G | | | | |
| | ALL TYPES | | 19 | BEDNIX - BOSCH | 3433-G | | | | |
| | ALL TYPES (PRESSURE REDUCING VALVE) | | 20,6 | LUCAS | 3031-G | | | | |
| | ALL TYPES (PRESSURE REDUCING VALVE) | | 20,6 | BEDNIX - BOSCH | 3326-G | | | | |
| | ALL TYPES | 01-88→06-96 | 30 | BEDNIX - BOSCH | 3317-G | 10639 | P-303801 | 1 | 38,5 |
| | ALL TYPES | 01-88→06-96 | 20 | BEDNIX - BOSCH | 30038-G | 11511 | K-303801 | 1 | 38,5 |

R20

| | | | | | | | | | |
|--|----------------------------------|-------------|------|----------------|----------------|-------|----------|---|------|
| | ALL TYPES | | 20,6 | BEDNIX - BOSCH | 3040-G | | | | |
| | ALL TYPES | | 20,6 | BEDNIX - BOSCH | 4411-G | | | | |
| | ALL TYPES (S4A) | 01-77→ | 54 | BEDNIX - BOSCH | 3053-G | 10902 | P-544702 | 1 | 47 |
| | ALL TYPES (S3A) | | 54 | BEDNIX - BOSCH | 3237-G | 10920 | P-544702 | 1 | 47 |
| | ALL TYPES | 01-77→01-84 | 54 | LUCAS | 3300-G | 10569 | P-545301 | 1 | 53,7 |
| | ALL TYPES EXCEPT TX (S4A) | 10-80→ | 54 | BEDNIX - BOSCH | 3498-G | 10894 | P-544903 | 1 | 49 |
| | ALL TYPES EXCEPT TX (S4A) | 10-79→00-84 | | | | 10923 | P-544602 | 1 | 46,8 |
| | II SERIES | 01-77→01-84 | 10 | LUCAS | 30011-G | | | | |
| | ALL TYPES | 10-75→12-83 | 12 | LUCAS | 30089-G | | | | |
| | ALL TYPES EXCEPT TX (S4A) | 10-79→00-84 | 20 | BEDNIX - BOSCH | 30038-G | | | | |
| | ALL TYPES | | 22,2 | LUCAS | 3080-G | | | | |
| | ALL TYPES (RUBBER CUP/SEAL TYPE) | | 22,2 | BEDNIX - BOSCH | 3187-G | | | | |
| | ALL TYPES | | 19 | BEDNIX - BOSCH | 3175-G | | | | |
| | ALL TYPES (RUBBER CUP TYPE) | | 28,6 | BEDNIX - BOSCH | 3178-G | | | | |
| | ALL TYPES (RUBBER SEAL TYPE) | | 28,6 | BEDNIX - BOSCH | 3434-G | | | | |
| | ALL TYPES (RUBBER CUP/SEAL TYPE) | | 28,6 | BEDNIX - BOSCH | 3435-G | | | | |



Master Cylinder



Front Caliper



Front Wheel Cylinder



Clutch Master Cylinder



Front Caliper Guides



Pressure Regulating Valve



Rear Caliper



Rear Wheel Cylinder



Clutch Slave Cylinder



Rear Caliper Guides



Ø
(mm.)

VERSION



RENAULT

12 of 17

R21 - NEVADA

| | | | | | | | | | |
|--|-------------------------------------|-------------|------|----------------|----------------|-------|------------|---|------|
| | ALL TYPES | | 19 | BEDNIX - BOSCH | 3179-G | | | | |
| | ALL TYPES | | 19 | ATE | 3212-G | | | | |
| | ALL TYPES | | 20,6 | BEDNIX - BOSCH | 3127-G | | | | |
| | ALL TYPES | | 20,6 | ATE | 3243-G | | | | |
| | ALL TYPES | 01-86→06-93 | 48 | BEDNIX - BOSCH | 3107-G | | | | |
| | 1.7 | 01-86→06-93 | 48 | BEDNIX - BOSCH | 3221-G | 10534 | P-484902 | 1 | 49 |
| | ALL TYPES | 03-86→06-93 | 48 | LUCAS | 3359-G | 10540 | P-485302 | 1 | 53,6 |
| | ALL TYPES | 03-86→06-93 | 54 | LUCAS | 3226-G | | | | |
| | 1.7 | 03-86→06-93 | 54 | LUCAS | 3300-G | 10569 | P-545301 | 1 | 53,7 |
| | ALL TYPES (SOFT BOOT) | 01-86→06-93 | 54 | BEDNIX - BOSCH | 4256-G | 10895 | P-544903 | 1 | 49 |
| | ALL TYPES (HARD BOOT) | 01-86→06-93 | 54 | BEDNIX - BOSCH | 4302-G | 10907 | P-544903 | 1 | 49 |
| | ALL TYPES | 03-86→06-93 | 10 | LUCAS | 30011-G | | | | |
| | ALL TYPES | 03-86→06-93 | 12 | LUCAS | 30089-G | | | | |
| | ALL TYPES (ABS) | 01-86→06-93 | 20 | BEDNIX - BOSCH | 30038-G | | | | |
| | ALL TYPES | | 22,2 | LUCAS | 3080-G | | | | |
| | ALL TYPES | | 22,2 | BEDNIX - BOSCH | 3187-G | | | | |
| | ALL TYPES (PRESSURE REDUCING VALVE) | | 22,2 | BEDNIX - BOSCH | 3675-G | | | | |
| | ALL TYPES (ABS) | | 36 | BEDNIX - BOSCH | 3319-G | 10724 | P-364503 | 1 | 45,5 |
| | ALL TYPES | 06-86→02-94 | 36 | BREMBO | 4367-G | 10602 | P-365101 | 1 | 50,9 |
| | | | | | | 11612 | K-365101-R | 1 | 50,9 |
| | | | | | | 11611 | K-365101-L | 1 | 50,9 |
| | ALL TYPES | 03-86→06-94 | 22 | BREMBO | 30126-G | | | | |
| | ALL TYPES | | 19 | BEDNIX - BOSCH | 3175-G | | | | |
| | ALL TYPES (RUBBER SEAL TYPE) | | 28,6 | BEDNIX - BOSCH | 3434-G | | | | |

R25

| | | | | | | | | | |
|--|----------------------------------|-------------|------|----------------|----------------|-------|----------|---|------|
| | ALL TYPES | | 20,6 | BEDNIX - BOSCH | 3040-G | | | | |
| | ALL TYPES | | 20,6 | ATE | 3243-G | | | | |
| | ALL TYPES | | 20,6 | BEDNIX - BOSCH | 4411-G | | | | |
| | ALL TYPES | 04-84→12-92 | 54 | LUCAS | 3300-G | 10569 | P-545301 | 1 | 53,7 |
| | ALL TYPES | 04-84→12-92 | 60 | LUCAS | 3135-G | 10592 | P-605301 | 1 | 53 |
| | ALL TYPES | 04-84→12-92 | 10 | LUCAS | 30011-G | | | | |
| | ALL TYPES | 04-84→12-92 | 12 | LUCAS | 30089-G | | | | |
| | ALL TYPES | | 22,2 | LUCAS | 3080-G | | | | |
| | ALL TYPES | | 22,2 | BEDNIX - BOSCH | 3187-G | | | | |
| | ALL TYPES | | 36 | BEDNIX - BOSCH | 3319-G | 10724 | P-364503 | 1 | 45,5 |
| | ALL TYPES | | 19 | BEDNIX - BOSCH | 3175-G | | | | |
| | ALL TYPES (RUBBER CUP TYPE) | | 28,6 | BEDNIX - BOSCH | 3178-G | | | | |
| | ALL TYPES (RUBBER SEAL TYPE) | | 28,6 | BEDNIX - BOSCH | 3434-G | | | | |
| | ALL TYPES (RUBBER CUP/SEAL TYPE) | | 28,6 | BEDNIX - BOSCH | 3435-G | | | | |



Master Cylinder



Front Caliper



Front Wheel Cylinder



Clutch Master Cylinder



Front Caliper Guides



Pressure Regulating Valve



Rear Caliper



Rear Wheel Cylinder



Clutch Slave Cylinder



Rear Caliper Guides

Ø
(mm.)

VERSION



RENAULT

13 of 17

R30

| | | | | | | | | | |
|--|----------------------------------|-------------|------|----------------|----------------|-------|----------|---|------|
| | D - TURBO | 01-81→01-84 | 20,6 | BEDNIX - BOSCH | 3040-G | | | | |
| | D - TURBO | 01-81→01-84 | 20,6 | BEDNIX - BOSCH | 4411-G | | | | |
| | 2.6 | | 42 | BEDNIX - BOSCH | 3437-G | 10778 | P-424803 | 2 | 48 |
| | ALL TYPES | 01-82→01-86 | 54 | LUCAS | 3300-G | 10569 | P-545301 | 1 | 53,7 |
| | D TURBO | 00-84→ | 54 | BEDNIX - BOSCH | 3498-G | 10894 | P-544903 | 1 | 49 |
| | | 10-81→00-84 | | | | 10923 | P-544602 | 1 | 46,8 |
| | ALL TYPES | 01-82→01-86 | 10 | LUCAS | 30011-G | | | | |
| | D TURBO | 10-81→00-84 | 20 | BEDNIX - BOSCH | 30038-G | | | | |
| | TD | | 22,2 | LUCAS | 3080-G | | | | |
| | TD | | 22,2 | BEDNIX - BOSCH | 3187-G | | | | |
| | TS - TX | | 36 | BEDNIX - BOSCH | 3319-G | 10724 | P-364503 | 1 | 45,5 |
| | ALL TYPES | | 19 | BEDNIX - BOSCH | 3175-G | | | | |
| | ALL TYPES (RUBBER CUP TYPE) | | 28,6 | BEDNIX - BOSCH | 3178-G | | | | |
| | ALL TYPES (RUBBER SEAL TYPE) | | 28,6 | BEDNIX - BOSCH | 3434-G | | | | |
| | ALL TYPES (RUBBER CUP/SEAL TYPE) | | 28,6 | BEDNIX - BOSCH | 3435-G | | | | |

R4

| | | | | | | | | | |
|--|---|-------------|------|----------------|----------------|-------|----------|---|----|
| | ALL TYPES (SPAIN) | 01-67→ | 19 | | 2714-GV | | | | |
| | TL (R1123 - 1129) (SIMPLE CIRCUIT) | | 19 | BEDNIX - BOSCH | 2766-GV | | | | |
| | F6 (SIMPLE CIRCUIT) | 01-81→ | | | | | | | |
| | F - FS - FSA - L - S (SIMPLE CIRCUIT) | 01-71→ | | | | | | | |
| | F4 - F6 (DOBLE CIRCUIT) | 01-86→ | 19 | | 3970-G | | | | |
| | TL (R112C) GTL (R1128) (DOBLE CIRCUIT) | | | | | | | | |
| | MADE IN FRANCE | | 20,6 | | 10109 | | | | |
| | GTL (R1128) (DOBLE CIRCUIT) | 01-77→ | 20,6 | BEDNIX - BOSCH | 3039-G | | | | |
| | (R1120) L - TL (R1126) (SIMPLE CIRCUIT) | | 20,6 | BEDNIX - BOSCH | 3120-G | | | | |
| | L - TL (R1123 - 1126) (DOBLE CIRCUIT) | 01-76→01-86 | 20,6 | BEDNIX - BOSCH | 3950-G | | | | |
| | ALL TYPES (SIMPLE CIRCUIT) | 01-62→ | 22,2 | | 2539-GV | | | | |
| | ALL TYPES | | 22,2 | BEDNIX - BOSCH | 2637-G | | | | |
| | ALL TYPES (RUBBER CUP TYPE) | | 23,8 | BEDNIX - BOSCH | 2594-G | | | | |
| | ALL TYPES (RUBBER CUP/SEAL TYPE) | | 23,8 | | 3240-G | | | | |
| | ALL TYPES (RUBBER SEAL TYPE) | | 23,8 | BEDNIX - BOSCH | 4880-G | | | | |
| | ALL TYPES (SPAIN) | 01-81→ | 45 | BEDNIX - BOSCH | 2671-G | | | | |
| | ALL TYPES | 06-78→06-90 | 45 | BEDNIX - BOSCH | 3134-G | 10529 | P-454501 | 1 | 45 |
| | ALL TYPES | 10-62→06-90 | 45 | LUCAS | 4653-G | 11769 | P-454802 | 1 | 48 |
| | ALL TYPES | 10-62→06-90 | 12 | LUCAS | 30089-G | | | | |
| | ALL TYPES | | 19 | BEDNIX - BOSCH | 2595-G | | | | |
| | ALL TYPES | | 20,6 | BEDNIX - BOSCH | 3101-G | | | | |
| | ALL TYPES | | 20,6 | LUCAS | 3119-G | | | | |
| | ALL TYPES (RUBBER CUP TYPE) | | 22,2 | BEDNIX - BOSCH | 2670-G | | | | |
| | ALL TYPES | | 22,2 | LUCAS | 3118-G | | | | |
| | ALL TYPES (RUBBER CUP/SEAL TYPE) | | 22,2 | BEDNIX - BOSCH | 3126-G | | | | |
| | ALL TYPES (RUBBER SEAL TYPE) | | 22,2 | BEDNIX - BOSCH | 4322-G | | | | |
| | ALL TYPES | | 13,7 | | 3066-GV | | | | |



Master Cylinder



Front Caliper



Front Wheel Cylinder



Clutch Master Cylinder



Front Caliper Guides



Pressure Regulating Valve



Rear Caliper



Rear Wheel Cylinder



Clutch Slave Cylinder



Rear Caliper Guides

Ø
(mm.)

VERSION

**RENAULT**

14 of 17

R5 - R6

| | | | | | | | | | |
|--|---|-------------|------|----------------|----------------|-------|----------|---|------|
| | ALL TYPES (SIMPLE CIRCUIT) | | 19 | BEDNIX - BOSCH | 2766-GV | | | | |
| | ALL TYPES (DOBLE CIRCUIT) | | 19 | BEDNIX - BOSCH | 3042-G | | | | |
| | ALL TYPES - COPA (DOBLE CIRCUIT) | | 20,6 | BEDNIX - BOSCH | 3039-G | | | | |
| | ALL TYPES (DOBLE CIRCUIT) (WITH BYPASS) | | 20,6 | BEDNIX - BOSCH | 3950-G | | | | |
| | COPA | | 20,6 | BEDNIX - BOSCH | 4878-G | | | | |
| | ALL TYPES (SPAIN) | | 45 | BEDNIX - BOSCH | 2671-G | | | | |
| | L - TL - GTL - TS - TX - GTX | 01-72→01-86 | 45 | BEDNIX - BOSCH | 3134-G | 10529 | P-454501 | 1 | 45 |
| | ALL TYPES | | 45 | LUCAS | 4653-G | 11769 | P-454802 | 1 | 48 |
| | R5 ALPINE 1.4 | 09-77→01-85 | 48 | BEDNIX - BOSCH | 2675-G | 10838 | P-484402 | 1 | 44 |
| | ALL TYPES | 01-75→ | 48 | BEDNIX - BOSCH | 3038-G | 10835 | P-484402 | 1 | 44 |
| | R5 ALPINE TURBO | 09-81→01-85 | 48 | LUCAS | 3267-G | 11343 | P-484806 | 1 | 48 |
| | R5 ALL TYPES | 01-81→01-84 | | | | | | | |
| | ALPINE COPA | 01-77→ | 54 | BEDNIX - BOSCH | 3237-G | 10920 | P-544702 | 1 | 47 |
| | L (R1220) 71→CH. 116673 | | 19 | BEDNIX - BOSCH | 2595-G | | | | |
| | L (R1120 - 1391 - R2381) | | 20,6 | BEDNIX - BOSCH | 3101-G | | | | |
| | L (R1120 - 1391 - R2381) | | 20,6 | LUCAS | 3119-G | | | | |
| | ALL TYPES (RUBBER CUP TYPE) | | 22,2 | BEDNIX - BOSCH | 2670-G | | | | |
| | ALL TYPES | | 22,2 | LUCAS | 3118-G | | | | |
| | ALL TYPES (RUBBER CUP/SEAL TYPE) | | 22,2 | BEDNIX - BOSCH | 3126-G | | | | |
| | ALL TYPES (RUBBER SEAL TYPE) | | 22,2 | BEDNIX - BOSCH | 4322-G | | | | |
| | 1.4 ALPINE | 09-77→09-81 | 32 | BEDNIX - BOSCH | 3945-G | 11530 | P-324101 | 1 | 41,5 |
| | ALPINE - TURBO - COPA | | 36 | BEDNIX - BOSCH | 3319-G | 10724 | P-364503 | 1 | 45,5 |
| | TURBO (R8220) | | 54 | BEDNIX - BOSCH | 3498-G | 10923 | P-544602 | 1 | 46,8 |
| | TURBO (R8220) | | 20 | BEDNIX - BOSCH | 30038-G | | | | |
| | ALL TYPES | | 13,7 | | 3066-GV | | | | |

R8 - R10

| | | | | | | | | | |
|--|-----------------------------|--------|------|----------------|----------------|-------|----------|---|------|
| | ALL TYPES | 01-70→ | 19 | | 2714-GV | | | | |
| | ALL TYPES (SPAIN) | | 38 | | 2618-G | 11641 | P-384104 | 1 | 41,5 |
| | ALL TYPES | | 38 | BEDNIX - BOSCH | 2673-G | | | | |
| | ALL TYPES | →01-70 | 22,2 | BEDNIX - BOSCH | 2637-G | | | | |
| | ALL TYPES (RUBBER CUP TYPE) | 01-70→ | 22,2 | BEDNIX - BOSCH | 2670-G | | | | |
| | ALL TYPES | | 32 | BEDNIX - BOSCH | 3945-G | 11530 | P-324101 | 1 | 41,5 |
| | ALL TYPES | | 14 | | 3067-G | | | | |



Master Cylinder



Front Caliper



Front Wheel Cylinder



Clutch Master Cylinder



Front Caliper Guides



Pressure Regulating Valve



Rear Caliper



Rear Wheel Cylinder



Clutch Slave Cylinder



Rear Caliper Guides



∅
(mm.)

VERSION



RENAULT

15 of 17

R9 - R11

| | | | | | | | | | |
|--|----------------------------------|-------------|------|----------------|----------------|-------|----------|---|------|
| | ALL TYPES | | 19 | ATE | 3019-G | | | | |
| | ALL TYPES | | 19 | LUCAS | 3160-G | | | | |
| | 1.4 TURBO (L425) (RHD) | | 19 | ATE | 3212-G | | | | |
| | ALL TYPES | | 19 | BEDNIX - BOSCH | 4320-G | | | | |
| | ALL TYPES (S4A COMP.) | | 48 | BEDNIX - BOSCH | 3075-G | | | | |
| | R9 | 01-81→ | 48 | BEDNIX - BOSCH | 3076-G | 10554 | P-485002 | 1 | 50,5 |
| | ALL TYPES | | 48 | BEDNIX - BOSCH | 3107-G | | | | |
| | R11 | 01-83→01-89 | 48 | BEDNIX - BOSCH | 3221-G | 10534 | P-484902 | 1 | 49 |
| | ALL TYPES | 03-83→ | 48 | LUCAS | 3359-G | 10540 | P-485302 | 1 | 53,6 |
| | ALL TYPES | 03-83→12-88 | 10 | LUCAS | 30011-G | | | | |
| | ALL TYPES | 03-83→12-88 | 12 | LUCAS | 30089-G | | | | |
| | ALL TYPES | 01-81→01-89 | 20 | BEDNIX - BOSCH | 30038-G | | | | |
| | ALL TYPES | 01-81→01-86 | 17,5 | BEDNIX - BOSCH | 3223-G | | | | |
| | ALL TYPES (RUBBER CUP TYPE) | | 22,2 | BEDNIX - BOSCH | 2637-G | | | | |
| | ALL TYPES (RUBBER SEAL TYPE) | | 22,2 | BEDNIX - BOSCH | 3074-G | | | | |
| | ALL TYPES | | 22,2 | LUCAS | 3080-G | | | | |
| | ALL TYPES (RUBBER CUP/SEAL TYPE) | | 22,2 | BEDNIX - BOSCH | 3187-G | | | | |
| | 1.4 TURBO (L425) | 01-84→01-91 | 30 | BEDNIX - BOSCH | 3317-G | 10639 | P-303801 | 1 | 38,5 |
| | 1.4 TURBO (L425) | 01-84→01-91 | 20 | BEDNIX - BOSCH | 30038-G | 11511 | K-303801 | 1 | 38,5 |

SAFRANE

| | | | | | | | | | |
|--|---------------------------|-------------|------|----------------|----------------|-------|------------|---|------|
| | ALL TYPES | 04-92→12-00 | 22,2 | BEDNIX - BOSCH | 3361-G | | | | |
| | ALL TYPES | 04-92→12-00 | 22,2 | ATE | 3520-G | | | | |
| | 12V - 20V - V6 - BI TURBO | 04-92→12-00 | 23,8 | BEDNIX - BOSCH | 3402-G | | | | |
| | ALL TYPES | 04-92→12-00 | 54 | LUCAS | 4745-G | 10572 | P-545301 | 1 | 53,7 |
| | ALL TYPES | 04-92→12-00 | 60 | LUCAS | 3135-G | 10592 | P-605301 | 1 | 53 |
| | ALL TYPES | 04-92→12-00 | 8 | LUCAS | 30003-G | | | | |
| | ALL TYPES | 04-92→12-00 | 10 | LUCAS | 30155-G | | | | |
| | 3.0 | 04-92→12-00 | 12 | LUCAS | 30089-G | | | | |
| | ALL TYPES | 04-92→12-00 | 22,2 | LUCAS | 3063-G | | | | |
| | ALL TYPES | 04-92→12-00 | 36 | BEDNIX - BOSCH | 3592-G | | | | |
| | ALL TYPES | 04-92→12-00 | 36 | BREMBO | 4367-G | 10602 | P-365101 | 1 | 50,9 |
| | | | | | | 11612 | K-365101-R | 1 | 50,9 |
| | | | | | | 11611 | K-365101-L | 1 | 50,9 |
| | ALL TYPES | 04-92→12-00 | 20 | BEDNIX - BOSCH | 30038-G | | | | |
| | ALL TYPES | 04-92→12-00 | 22 | BREMBO | 30127-G | | | | |



Master Cylinder



Front Caliper



Front Wheel Cylinder



Clutch Master Cylinder



Front Caliper Guides



Pressure Regulating Valve



Rear Caliper



Rear Wheel Cylinder



Clutch Slave Cylinder



Rear Caliper Guides

Ø
(mm.)

VERSION



RENAULT

16 of 17

SCENIC

| | | | | | | | | | |
|--|---|-------------|------|-------|----------------|-------|----------|---|------|
| | II SERIES | 09-03→ | 23,8 | LUCAS | 6029-G | | | | |
| | II SERIES | 09-03→ | 54 | ATE | 4318-G | 10890 | P-545502 | 1 | 55,5 |
| | III SERIES | 02-09→ | | | | 11378 | P-545003 | 1 | 50,5 |
| | II SERIES | 09-03→ | 54 | BOSCH | 4632-G | 10568 | P-545201 | 1 | 52,5 |
| | I SERIES | 09-99→09-03 | 54 | LUCAS | 4745-G | 10572 | P-545301 | 1 | 53,7 |
| | I SERIES | 09-99→09-03 | 60 | LUCAS | 3135-G | 10592 | P-605301 | 1 | 53 |
| | I SERIES | 09-99→09-03 | 8 | LUCAS | 30003-G | | | | |
| | I SERIES | 09-99→09-03 | 10 | LUCAS | 30155-G | | | | |
| | I SERIES | 09-99→09-03 | 34 | LUCAS | 3384-G | 10514 | P-334601 | 1 | 46,8 |
| | | | | | | 11562 | K-334601 | 1 | 46,8 |
| | II SERIES (DISC 9MM) | 09-03→ | 34 | TRW | 6007-G | 10677 | P-334601 | 1 | 46,8 |
| | | | | | | 11563 | K-334601 | 1 | 46,8 |
| | III SERIES (ELECTRIC HANDBRAKE) | 02-09→ | 34 | TRW | 6225-G | 11573 | P-345201 | 1 | 52 |
| | II - III SERIES | 09-03→ | 38 | LUCAS | 4442-G | 10520 | P-385101 | 1 | 51 |
| | | | | | | 11651 | K-385101 | 1 | 51 |
| | III SERIES 2.0 dCi (ELECTRIC HANDBRAKE) | 02-09→ | 38 | TRW | 6188-G | 11629 | P-385202 | 1 | 52 |
| | III SERIES | 02-09→ | 8 | LUCAS | 30004-G | | | | |
| | I - II SERIES | 09-99→ | 8 | TRW | 30050-G | | | | |

SUPER 5

| | | | | | | | | | |
|--|--------------------------------------|-------------|------|----------------|----------------|-------|----------|---|------|
| | ALL TYPES | 10-84→12-96 | 19 | BEDNIX - BOSCH | 3179-G | | | | |
| | ALL TYPES | 10-84→12-96 | 19 | ATE | 3212-G | | | | |
| | ALL TYPES | 10-84→12-96 | 19 | LUCAS | 3308-G | | | | |
| | ALL TYPES | 10-84→12-96 | 45 | BEDNIX - BOSCH | 3134-G | 10529 | P-454501 | 1 | 45 |
| | ALL TYPES | 10-84→12-96 | 45 | LUCAS | 3673-G | 10702 | P-454801 | 1 | 48 |
| | ALL TYPES (S4A COMP.) | 10-84→12-96 | 48 | BEDNIX - BOSCH | 3075-G | | | | |
| | ALL TYPES (S4A) | 10-84→12-96 | 48 | BEDNIX - BOSCH | 3076-G | 10554 | P-485002 | 1 | 50,5 |
| | ALL TYPES | 10-84→12-96 | 48 | BEDNIX - BOSCH | 3221-G | 10534 | P-484902 | 1 | 49 |
| | ALL TYPES | 10-84→12-96 | 48 | LUCAS | 3359-G | 10540 | P-485302 | 1 | 53,6 |
| | ALL TYPES (S4A COMP.) | 10-84→12-96 | 10 | LUCAS | 30011-G | | | | |
| | ALL TYPES | 10-84→12-96 | 12 | LUCAS | 30089-G | | | | |
| | ALL TYPES (CALIPER 48MM SOLID DISCS) | 10-84→12-96 | 20 | BEDNIX - BOSCH | 30037-G | | | | |
| | ALL TYPES | 10-84→12-96 | 20 | BEDNIX - BOSCH | 30038-G | | | | |
| | ALL TYPES (CALIPER 45MM SOLID DISCS) | 10-84→12-96 | 20 | BEDNIX - BOSCH | 30123-G | | | | |
| | ALL TYPES (PRESSURE REDUCING VALVE) | 10-84→12-96 | 20,6 | LUCAS | 3031-G | | | | |
| | ALL TYPES (PRESSURE REDUCING VALVE) | 10-84→12-96 | 20,6 | BEDNIX - BOSCH | 3326-G | | | | |
| | ALL TYPES | 10-84→12-96 | 22,2 | LUCAS | 3080-G | | | | |
| | ALL TYPES | 10-84→12-96 | 22,2 | BEDNIX - BOSCH | 3187-G | | | | |
| | 1.4 TURBO - 1.7i | 10-84→12-96 | 30 | BEDNIX - BOSCH | 3317-G | 10639 | P-303801 | 1 | 38,5 |
| | | | | | | 11511 | K-303801 | 1 | 38,5 |
| | 1.4 TURBO - 1.7i | 04-85→08-91 | 20 | BEDNIX - BOSCH | 30038-G | | | | |

THALIA

| | | | | | | | | | |
|--|-----------|--------|----|-------|----------------|-------|----------|---|------|
| | 1.5dCi | 01-01→ | 48 | LUCAS | 3359-G | 10540 | P-485302 | 1 | 53,6 |
| | ALL TYPES | 01-01→ | 10 | LUCAS | 30011-G | | | | |
| | ALL TYPES | 01-01→ | 12 | LUCAS | 30089-G | | | | |



Master Cylinder



Front Caliper



Front Wheel Cylinder



Clutch Master Cylinder



Front Caliper Guides



Pressure Regulating Valve



Rear Caliper



Rear Wheel Cylinder



Clutch Slave Cylinder



Rear Caliper Guides

Ø
(mm.)

VERSION



RENAULT

17 of 17

TRAFIC

| | | | | | | | | | |
|--|----------------------------------|-------------|------|----------------|----------------|-------|----------|---|----|
| | ALL TYPES | 01-85→01-94 | 20,6 | ATE - FAG | 3157-G | | | | |
| | ALL TYPES | 01-89→01-94 | 23,8 | ATE - FAG | 3176-G | | | | |
| | ALL TYPES | 01-94→ | 23,8 | ATE | 3676-G | | | | |
| | 2.5 - 4x4 | 01-89→01-01 | 23,8 | BOSCH | 4685-G | | | | |
| | ALL TYPES | 01-80→ | 25,4 | ATE | 4689-G | | | | |
| | ALL TYPES | 03-01→ | 40 | LUCAS | 4755-G | 10608 | P-455301 | 1 | 53 |
| | | | | | | | P-405301 | 1 | 53 |
| | ALL TYPES | 03-80→03-01 | 40 | LUCAS | 6026-G | | | | |
| | ALL TYPES | 03-80→03-01 | 42 | BEDNIX - BOSCH | 3437-G | 10778 | P-424803 | 2 | 48 |
| | ALL TYPES | 03-80→03-01 | 45 | BEDNIX - BOSCH | 3381-G | 10809 | P-455101 | 2 | 51 |
| | ALL TYPES | 03-80→03-01 | 54 | BEDNIX - BOSCH | 3053-G | 10902 | P-544702 | 1 | 47 |
| | ALL TYPES | 03-80→03-01 | 10 | LUCAS | 30078-G | | | | |
| | ALL TYPES | | 22,2 | BEDNIX - BOSCH | 3187-G | | | | |
| | ALL TYPES | | 23,8 | BEDNIX - BOSCH | 10173-G | | | | |
| | ALL TYPES | | 25,4 | LUCAS | 3653-G | | | | |
| | II SERIES | 03-01→ | 41 | LUCAS | 4289-G | 10610 | P-415101 | 1 | 51 |
| | | | | | | 11696 | K-415101 | 1 | 51 |
| | II SERIES | 03-01→ | 41 | LUCAS | 6031-G | | | | |
| | II SERIES | 03-01→ | 8 | LUCAS | 30004-G | | | | |
| | ALL TYPES | | 19 | BEDNIX - BOSCH | 10153 | | | | |
| | ALL TYPES | | 19 | BEDNIX - BOSCH | 3035-G | | | | |
| | ALL TYPES (RUBBER CUP TYPE) | | 28,6 | BEDNIX - BOSCH | 3178-G | | | | |
| | ALL TYPES (RUBBER SEAL TYPE) | | 28,6 | BEDNIX - BOSCH | 3434-G | | | | |
| | ALL TYPES (RUBBER CUP/SEAL TYPE) | | 28,6 | BEDNIX - BOSCH | 3435-G | | | | |

TWINGO

| | | | | | | | | | |
|--|-------------------------------------|--------|------|----------------|----------------|-------|----------|---|------|
| | ALL TYPES (-ABS) | 03-93→ | 20,6 | BEDNIX - BOSCH | 3127-G | | | | |
| | ALL TYPES (ABS) | 03-93→ | 20,6 | BEDNIX - BOSCH | 3486-G | | | | |
| | ALL TYPES | 03-93→ | 45 | BEDNIX - BOSCH | 3134-G | 10529 | P-454501 | 1 | 45 |
| | 1.2 | 03-93→ | 48 | LUCAS | 3359-G | 10540 | P-485302 | 1 | 53,6 |
| | ALL TYPES | 03-93→ | 8 | LUCAS | 30003-G | | | | |
| | ALL TYPES | 03-93→ | 10 | LUCAS | 30011-G | | | | |
| | ALL TYPES | 03-93→ | 20 | BEDNIX - BOSCH | 30123-G | | | | |
| | ALL TYPES (PRESSURE REDUCING VALVE) | 03-93→ | 20,6 | BEDNIX - BOSCH | 3326-G | | | | |
| | 1.6RS | 05-08→ | 8 | TRW | 30050-G | | | | |

VEL SATIS

| | | | | | | | | | |
|--|-----------|--------|----|-----|---------------|-------|----------|---|------|
| | ALL TYPES | 06-02→ | 60 | ATE | 4565-G | | | | |
| | ALL TYPES | 06-02→ | 38 | ATE | 4797-G | 10667 | P-384902 | 1 | 49,7 |
| | | | | | | 11646 | K-384902 | 1 | 49,7 |

WIND

| | | | | | | | | | |
|--|-----------|--------|---|-----|----------------|--|--|--|--|
| | ALL TYPES | 07-10→ | 8 | TRW | 30050-G | | | | |
|--|-----------|--------|---|-----|----------------|--|--|--|--|



Master Cylinder



Front Caliper



Front Wheel Cylinder



Clutch Master Cylinder



Front Caliper Guides



Pressure Regulating Valve



Rear Caliper



Rear Wheel Cylinder



Clutch Slave Cylinder



Rear Caliper Guides

Ø
(mm.)

VERSION

**ROVER**

1 of 4

100 SERIES

| | | | | | | | | |
|--|-----------|--------|------|-------------|---------------|-------|----------|--------|
| | ALL TYPES | 01-90→ | 20,6 | AP LOCKHEED | 3234-G | | | |
| | ALL TYPES | 01-90→ | 48 | LUCAS | 3589-G | 10557 | P-484901 | 1 49,7 |
| | ALL TYPES | 01-90→ | 17,5 | AP LOCKHEED | 3196-G | | | |
| | ALL TYPES | 01-90→ | 22,2 | LUCAS | 4422-G | | | |

2.300 - 2.400 - 2.600 - 3.500

| | | | | | | | | |
|--|-----------------|-------------|------|----------------------|----------------|-------|----------|--------|
| | 2.3 - 2.6 - 3.5 | | 22,2 | AP LOCKHEED | 10183-G | | | |
| | ALL TYPES | 04-68→05-76 | 40 | LUCAS | 6177-G | | | |
| | ALL TYPES | 01-83→01-86 | 41 | AP LOCKHEED | 3569-G | 10524 | P-413401 | 4 34,2 |
| | ALL TYPES | 09-63→05-76 | 54 | ATE - BENDIX - LUCAS | 3041-G | 10668 | P-542901 | 2 29 |
| | ALL TYPES | | 57 | AP LOCKHEED | 3283-G | 10939 | P-572801 | 2 28,5 |
| | ALL TYPES | | 22,2 | AP LOCKHEED | 3287-G | | | |
| | 3.5 | | 15,9 | LUCAS | 2731-G | | | |
| | 2.3 - 2.4 - 2.6 | | 19 | LUCAS | 2530-G | | | |
| | ALL TYPES | | 22,2 | LUCAS | 2705-G | | | |

200 - 400 SERIES

| | | | | | | | | |
|--|-----------|-------------|-------|-------------|----------------|-------|----------|--------|
| | ALL TYPES | 03-85→09-89 | 20,6 | AP LOCKHEED | 3234-G | | | |
| | ALL TYPES | 10-89→03-00 | 23,8 | LUCAS | 4845-G | | | |
| | ALL TYPES | 03-85→09-89 | 51 | TOKICO | 3337-G | 10624 | P-514401 | 1 44,5 |
| | ALL TYPES | 10-89→ | 54 | LUCAS | 4481-G | 10564 | P-544901 | 1 49,8 |
| | ALL TYPES | 03-85→09-89 | 10 | TOKICO | 30019-G | | | |
| | ALL TYPES | 10-89→ | 10 | LUCAS | 30066-G | | | |
| | ALL TYPES | 03-85→10-95 | 17,5 | | 3810-G | | | |
| | ALL TYPES | 03-85→10-95 | 19 | LUCAS | 3235-G | | | |
| | ALL TYPES | 10-89→ | 30 | LUCAS | 4261-G | | | |
| | ALL TYPES | 10-89→ | 30 | LUCAS | 4428-G | 10599 | P-304301 | 1 43,8 |
| | ALL TYPES | 10-89→ | 30 | LUCAS | 4428-G | 11513 | K-304301 | 1 43,8 |
| | ALL TYPES | 10-89→ | 10 | LUCAS | 30022-G | | | |
| | ALL TYPES | 03-85→ | 20,64 | AP LOCKHEED | 4866-G | | | |

25

| | | | | | | | | |
|--|-----------|--------|------|-------|----------------|-------|----------|--------|
| | ALL TYPES | 01-99→ | 23,8 | LUCAS | 4845-G | | | |
| | ALL TYPES | 10-99→ | 54 | LUCAS | 4481-G | 10564 | P-544901 | 1 49,8 |
| | ALL TYPES | 10-99→ | 10 | LUCAS | 30066-G | | | |
| | ALL TYPES | 10-99→ | 30 | LUCAS | 4428-G | 10599 | P-304301 | 1 43,8 |
| | ALL TYPES | 10-99→ | 30 | LUCAS | 4428-G | 11513 | K-304301 | 1 43,8 |
| | ALL TYPES | 10-99→ | 10 | LUCAS | 30022-G | | | |

45

| | | | | | | | | |
|--|-----------|--------|----|-------|----------------|-------|----------|--------|
| | ALL TYPES | 02-00→ | 54 | LUCAS | 4481-G | 10564 | P-544901 | 1 49,8 |
| | ALL TYPES | 02-00→ | 10 | LUCAS | 30066-G | | | |
| | 2.0 | 02-00→ | 30 | LUCAS | 4428-G | 10599 | P-304301 | 1 43,8 |
| | 2.0 | 02-00→ | 30 | LUCAS | 4428-G | 11513 | K-304301 | 1 43,8 |
| | 2.0 | 02-00→ | 10 | LUCAS | 30022-G | | | |



Master Cylinder



Front Caliper



Front Wheel Cylinder



Clutch Master Cylinder



Front Caliper Guides



Pressure Regulating Valve



Rear Caliper



Rear Wheel Cylinder



Clutch Slave Cylinder



Rear Caliper Guides

Ø
(mm.)

VERSION



ROVER

2 of 4

600 SERIES

| | | | | | | | | | |
|--|------------------|-------------|------|-------|----------------|-------|----------|---|------|
| | ALL TYPES (-ABS) | 08-93→02-99 | 23,8 | LUCAS | 3679-G | | | | |
| | ALL TYPES (ABS) | 08-93→02-99 | 25,4 | LUCAS | 4116-G | | | | |
| | ALL TYPES | 08-93→02-99 | 57 | LUCAS | 3550-G | 10931 | P-575302 | 1 | 53,6 |
| | ALL TYPES | 08-93→02-99 | 34 | LUCAS | 3549-G | 10644 | P-344702 | 1 | 47,2 |
| | | | | | | 11559 | K-344702 | 1 | 47,2 |
| | ALL TYPES | 08-93→02-99 | 34 | LUCAS | 4980-G | | | | |
| | ALL TYPES | 08-93→02-99 | 10 | LUCAS | 30022-G | | | | |

75 SERIES

| | | | | | | | | | |
|--|-------------------------|--------|----|-----|---------------|-------|----------|---|------|
| | ALL TYPES | 02-99→ | 57 | ATE | 4768-G | 10589 | P-575504 | 1 | 55,4 |
| | ALL TYPES | 02-99→ | 36 | ATE | 3483-G | 10725 | P-364803 | 1 | 48 |
| | ALL TYPES EXCEPT 4.6 V8 | 02-99→ | 40 | ATE | 4452-G | 10751 | P-404801 | 1 | 48 |

800 SERIES

| | | | | | | | | | |
|--|-----------------|-------------|------|-------------|----------------|-------|----------|---|------|
| | ALL TYPES | 10-86→02-99 | 57 | LUCAS | 4732-G | 10587 | P-575001 | 1 | 49,8 |
| | ALL TYPES | 10-86→02-99 | 10 | LUCAS | 30066-G | | | | |
| | ALL TYPES | 10-86→02-99 | 38 | LUCAS | 3683-G | 10605 | P-384601 | 1 | 46,8 |
| | ALL TYPES (ABS) | | | | | 11648 | K-384601 | 1 | 46,8 |
| | ALL TYPES | 10-86→02-99 | 10 | LUCAS | 30012-G | | | | |
| | ALL TYPES | 10-86→02-99 | 15,9 | AP LOCKHEED | 3322-G | | | | |
| | ALL TYPES | 10-86→02-99 | 17,5 | AP LOCKHEED | 3684-G | | | | |
| | ALL TYPES | 10-86→02-99 | 22,2 | AP LOCKHEED | 2713-G | | | | |

ALLEGRO

| | | | | | | | | | |
|--|-----------------------|-------------|----|-------|---------------|--|--|--|--|
| | ALL TYPES (2 PISTONS) | 01-73→01-84 | 51 | LUCAS | 4473-G | | | | |
|--|-----------------------|-------------|----|-------|---------------|--|--|--|--|

MAESTRO

| | | | | | | | | | |
|--|-----------|--------|------|-------|---------------|-------|----------|---|------|
| | ALL TYPES | | 20,6 | LUCAS | 3229-G | | | | |
| | ALL TYPES | 03-83→ | 54 | LUCAS | 3220-G | 10563 | P-544901 | 1 | 49,8 |
| | 1.4 - 1.6 | 01-83→ | 15,9 | LUCAS | 3352-G | | | | |
| | VAN | 01-84→ | 20,6 | LUCAS | 3031-G | | | | |

MARINA

| | | | | | | | | | |
|--|-----------------|-------------|----|-------|---------------|--|--|--|--|
| | 1.3 - 1.7 - 1.8 | 01-71→01-80 | 48 | LUCAS | 2643-G | | | | |
|--|-----------------|-------------|----|-------|---------------|--|--|--|--|

METRO

| | | | | | | | | | |
|--|-----------------------|--|------|-------------|---------------|-------|----------|---|-------|
| | ALL TYPES (-SERVO) | | 17,5 | AP LOCKHEED | 4380-G | | | | |
| | ALL TYPES | | 20,6 | LUCAS | 3231-G | | | | |
| | ALL TYPES | | 20,6 | AP LOCKHEED | 3234-G | | | | |
| | ALL TYPES (-SERVO) | | 22,2 | LUCAS | 4335-G | | | | |
| | ALL TYPES | | 36 | AP LOCKHEED | 3320-G | 11601 | P-362802 | 4 | 28,25 |
| | ALL TYPES (4 PISTONS) | | 36 | ATE | 3321-G | | | | |
| | ALL TYPES | | 48 | LUCAS | 3589-G | 10557 | P-484901 | 1 | 49,7 |
| | ALL TYPES | | 17,5 | LUCAS | 3072-G | | | | |
| | ALL TYPES | | 17,5 | AP LOCKHEED | 3196-G | | | | |
| | ALL TYPES | | 15,9 | AP LOCKHEED | 3322-G | | | | |
| | ALL TYPES | | 22,2 | AP LOCKHEED | 3233-G | | | | |



Master Cylinder



Front Caliper



Front Wheel Cylinder



Clutch Master Cylinder



Front Caliper Guides



Pressure Regulating Valve



Rear Caliper



Rear Wheel Cylinder



Clutch Slave Cylinder



Rear Caliper Guides

Ø
(mm.)

VERSION



ROVER

3 of 4

MG

| | | | | | | | | | |
|--|--------------|-------------|----|-------------|----------------|-------|----------|---|------|
| | MG F 1.8 VVC | 10-95→03-02 | 48 | LUCAS | 3589-G | 10557 | P-484901 | 1 | 49,7 |
| | ALL TYPES | 01-01→ | 54 | LUCAS | 4481-G | 10564 | P-544901 | 1 | 49,8 |
| | ALL TYPES | 01-68→01-82 | 54 | AP LOCKHEED | 4483-G | 11391 | P-542801 | 2 | 28 |
| | MG C | 10-67→09-68 | 54 | GIRLING | 4485-G | 10888 | P-542902 | 2 | 29 |
| | ALL TYPES | 01-01→10-05 | 10 | LUCAS | 30066-G | | | | |
| | ALL TYPES | 01-01→ | 30 | LUCAS | 4428-G | | | | |
| | ALL TYPES | 03-95→03-02 | 38 | LUCAS | 3683-G | 10605 | P-384601 | 1 | 46,8 |
| | | | | | | 11648 | K-384601 | 1 | 46,8 |
| | ZT 180-190 | 08-01→10-05 | 40 | ATE | 4452-G | 10751 | P-404801 | 1 | 48 |
| | ALL TYPES | 01-01→ | 10 | LUCAS | 30022-G | | | | |

MG MGB

| | | | | | | | | | |
|--|-----------|-------------|----|--|----------------|--|--|--|--|
| | ALL TYPES | 01-66→12-80 | 54 | | 10262-G | | | | |
|--|-----------|-------------|----|--|----------------|--|--|--|--|

MINI 850 - 1.000 - 1300

| | | | | | | | | | |
|--|---------------------------|--------|------|-------------|---------------|-------|----------|---|------|
| | ALL TYPES | | 19 | AP LOCKHEED | 4388-G | | | | |
| | ALL TYPES | | 23,8 | AP LOCKHEED | 2693-G | | | | |
| | MINI MK1 - COOPER | 01-67→ | 44,5 | AP LOCKHEED | 6040-G | | | | |
| | ALL TYPES | | 51 | AP LOCKHEED | 2616-G | 10852 | P-512801 | 2 | 28,3 |
| | ALL TYPES | | 15,9 | AP LOCKHEED | 3195-G | | | | |
| | ALL TYPES | | 19 | AP LOCKHEED | 2615-G | | | | |
| | ALL TYPES | | 19 | AP LOCKHEED | 2743-G | | | | |
| | ALL TYPES (LEVEL WARNING) | | 19 | AP LOCKHEED | 4359-G | | | | |
| | ALL TYPES | | 22,2 | AP LOCKHEED | 2713-G | | | | |
| | ALL TYPES | 01-83→ | 22,2 | AP LOCKHEED | 3233-G | | | | |

MONTEGO

| | | | | | | | | | |
|--|----------------------|--|------|-------|---------------|-------|----------|---|------|
| | ALL TYPES | | 20,6 | LUCAS | 3229-G | | | | |
| | ALL TYPES | | 54 | LUCAS | 3220-G | 10563 | P-544901 | 1 | 49,8 |
| | 1.3 - 1.6 - 2.0 | | 17,5 | LUCAS | 3072-G | | | | |
| | BREAK - 2.0i - TURBO | | 19 | LUCAS | 3071-G | | | | |

STREETWISE

| | | | | | | | | | |
|--|-----------|--------|----|--------|----------------|-------|----------|---|------|
| | ALL TYPES | 08-03→ | 54 | LUCAS | 4481-G | 10564 | P-544901 | 1 | 49,8 |
| | ALL TYPES | 08-03→ | 10 | LUCAS | 30066-G | | | | |
| | ALL TYPES | 08-03→ | 30 | NISSIN | 4428-G | 10599 | P-304301 | 1 | 43,8 |
| | | | | | | 11513 | K-304301 | 1 | 43,8 |
| | ALL TYPES | 08-03→ | 10 | NISSIN | 30022-G | | | | |



Master Cylinder



Front Caliper



Front Wheel Cylinder



Clutch Master Cylinder



Front Caliper Guides



Pressure Regulating Valve



Rear Caliper



Rear Wheel Cylinder



Clutch Slave Cylinder



Rear Caliper Guides



∅
(mm.)

VERSION



ROVER

4 of 4

TRIUMPH

| | | | | | | | | | |
|--|-----------------------------|-------------|------|----------------|----------------|-------|----------|---|------|
| | 1300 | | 15,9 | LUCAS | 2731-G | | | | |
| | SPITFIRE MK3 | | | | | | | | |
| | TR 4 - TR 6 | 01-61→ | 17,5 | GIRLING | 6190-G | | | | |
| | VITESSE 1600 | | 19 | BEDNIX - BOSCH | 3042-G | | | | |
| | TR 7 - TR 8 | | 20,6 | AP LOCKHEED | 3954-G | | | | |
| | TR 6 2.5 | | 20,6 | LUCAS | 4395-G | | | | |
| | HERALD - TOLEDO - SPTFIRE | | 48 | ATE | 4257-G | | | | |
| | TR 7 - TR 8 | | 51 | AP LOCKHEED | 2616-G | 10852 | P-512801 | 2 | 28,3 |
| | 2.0 - 2.5 MK I - MK II | 01-64→01-77 | 54 | AP LOCKHEED | 4483-G | 11391 | P-542801 | 2 | 28 |
| | STAG 3.0 | | 57 | AP LOCKHEED | 3283-G | 10939 | P-572801 | 2 | 28,5 |
| | 2000 - TR7 2.0 SPEED | | 17,5 | AP LOCKHEED | 3196-G | | | | |
| | VITESSE 1.6 | 01-62→10-66 | 17,5 | LUCAS | 3686-G | | | | |
| | TR 7 | | 19 | AP LOCKHEED | 2615-G | | | | |
| | VITESSE - SPITFIRE - TOLEDO | | 19 | LUCAS | 3687-G | | | | |
| | STAG 3.0 | | 20,6 | AP LOCKHEED | 10184-G | | | | |
| | ALL TYPES | | 15,9 | LUCAS | 2731-G | | | | |
| | 2000 - 2500 | | 15,9 | AP LOCKHEED | 3322-G | | | | |
| | STAG | 01-70→01-77 | 17,5 | AP LOCKHEED | 3250-G | | | | |
| | STAG (LEVEL WARNING) | 01-70→01-77 | 17,5 | AP LOCKHEED | 4362-G | | | | |
| | TR 5 - TR 6 | 01-67→01-69 | 19 | LUCAS | 2530-G | | | | |
| | ALL TYPES | | 22,2 | LUCAS | 2705-G | | | | |
| | 2000 - DOLOMITE - 1850 | 01-76→01-80 | 22,2 | AP LOCKHEED | 3233-G | | | | |
| | STAG - TR6 - 2500 | | 25,4 | AP LOCKHEED | 3574-G | | | | |



Master Cylinder



Front Caliper



Front Wheel Cylinder



Clutch Master Cylinder



Front Caliper Guides



Pressure Regulating Valve



Rear Caliper



Rear Wheel Cylinder



Clutch Slave Cylinder



Rear Caliper Guides

Ø
(mm.)

VERSION



SAAB

1 of 2

600

| | | | | | | | | | |
|--|-----------|-------------|----|-------|---------------|-------|----------|---|----|
| | ALL TYPES | 01-79→01-85 | 48 | LUCAS | 3077-G | 11811 | P-484806 | 1 | 48 |
|--|-----------|-------------|----|-------|---------------|-------|----------|---|----|

9.3

| | | | | | | | | | |
|--|----------------------------|-------------|------|-------|---------------|-------|----------|---|------|
| | ALL TYPES | 02-98→ | 23,8 | ATE | 3982-G | | | | |
| | ALL TYPES | 08-03→ | 25,4 | LUCAS | 4570-G | | | | |
| | ALL TYPES (SOFT BOOT) | 02-98→ | 57 | ATE | 3391-G | 10582 | P-575501 | 1 | 55,2 |
| | ALL TYPES | 02-98→ | 57 | ATE | 4983-G | | | | |
| | ALL TYPES (DISC 302MM) | 08-03→ | 60 | ATE | 4565-G | 11457 | P-605603 | 1 | 56 |
| | ALL TYPES (DISC 312MM) | | | | | 10969 | P-605501 | 1 | 55,5 |
| | ALL TYPES (HARD BOOT) | 02-98→08-03 | 35 | ATE | 3256-G | 10679 | P-352801 | 2 | 28,5 |
| | ALL TYPES | 02-98→08-03 | 38 | ATE | 3429-G | 10741 | P-384801 | 1 | 48 |
| | ALL TYPES (DISC 276-290MM) | 08-03→ | 38 | ATE | 4797-G | 10667 | P-384902 | 1 | 49,7 |
| | | | | | | 11646 | K-384902 | 1 | 49,7 |
| | ALL TYPES | 08-03→ | 40 | ATE | 6044-G | 10756 | P-404905 | 1 | 49,7 |
| | | | | | | 11685 | K-404905 | 1 | 49,7 |
| | ALL TYPES | 02-98→ | 19 | FAG | 4141-G | | | | |

9.5

| | | | | | | | | | |
|--|--------------------------------|-------------|------|--------|----------------|-------|----------|---|------|
| | I - II SERIES | 09-97→01-12 | 25,4 | ATE | 4830-G | | | | |
| | II SERIES (DISC 355MM) | 01-10→01-12 | 40 | BREMBO | 4887-G | 11689 | P-443002 | 2 | 30 |
| | | | | | | | P-403005 | 2 | 30 |
| | II SERIES (DISC 337MM) | 01-10→01-12 | 42 | TRW | 6186-G | 11704 | P-425301 | 1 | 53,2 |
| | I - II SERIES | 09-97→01-12 | 57 | ATE | 3391-G | 10582 | P-575501 | 1 | 55,2 |
| | I - II SERIES | 09-97→01-12 | 57 | ATE | 4983-G | | | | |
| | II SERIES | 01-10→01-12 | 60 | MANDO | 6323-G | | | | |
| | I - II SERIES (18-19" WHEEL) | 01-10→01-12 | 10 | TRW | 30041-G | | | | |
| | I - II SERIES | 09-97→01-12 | 38 | ATE | 3429-G | 10741 | P-384801 | 1 | 48 |
| | I SERIES | 09-97→12-09 | 38 | ATE | 3831-G | 10743 | P-382903 | 2 | 29,3 |
| | I SERIES | 09-97→12-09 | 40 | ATE | 4452-G | 10751 | P-404801 | 1 | 48 |
| | II SERIES (ELECTRIC HANDBRAKE) | 01-10→01-12 | 41 | LUCAS | 4289-G | 10610 | P-415101 | 1 | 51 |
| | | | | | | 11696 | K-415101 | 1 | 51 |
| | II SERIES | 01-10→01-12 | 8 | LUCAS | 30004-G | | | | |

90

| | | | | | | | | | |
|--|-----------|--|------|-------|---------------|-------|----------|---|------|
| | ALL TYPES | | 20,6 | LUCAS | 3960-G | | | | |
| | ALL TYPES | | 54 | LUCAS | 3829-G | 11384 | P-543302 | 1 | 29,7 |
| | | | | | | | P-542904 | 1 | 29,7 |
| | ALL TYPES | | 30 | ATE | 4670-G | 10706 | P-302801 | 2 | 28,8 |



Master Cylinder



Front Caliper



Front Wheel Cylinder



Clutch Master Cylinder



Front Caliper Guides



Pressure Regulating Valve



Rear Caliper



Rear Wheel Cylinder



Clutch Slave Cylinder



Rear Caliper Guides

Ø
(mm.)

VERSION



SAAB

2 of 2

900

| | | | | | | | | | |
|--|---------------------------|-------------|------|-------------|----------------|-------|----------|---|------|
| | I SERIES | 01-86→06-94 | 22,2 | LUCAS | 3105-G | | | | |
| | I SERIES | 01-79→01-86 | 22,2 | LUCAS | 3740-G | | | | |
| | II SERIES (ABS) | 07-93→02-98 | 23,8 | ATE | 3982-G | | | | |
| | II SERIES | 07-93→02-98 | 54 | ATE | 3073-G | 11386 | P-545302 | 1 | 53,1 |
| | I SERIES | 09-87→06-94 | 54 | LUCAS | 3220-G | 10563 | P-544901 | 1 | 49,8 |
| | I SERIES | 01-79→09-87 | 54 | LUCAS | 3829-G | 11384 | P-543302 | 1 | 29,7 |
| | | | | | | | P-542904 | 1 | 29,7 |
| | II SERIES | 07-93→02-98 | 57 | ATE | 3391-G | 10582 | P-575501 | 1 | 55,2 |
| | II SERIES | 07-93→02-98 | 57 | ATE | 4983-G | | | | |
| | I SERIES | 01-79→06-94 | 8 | LUCAS | 30001-G | | | | |
| | I SERIES | 01-79→06-94 | 30 | ATE | 4670-G | 10706 | P-302801 | 2 | 28,8 |
| | I SERIES | 01-79→06-94 | 33 | ATE | 3422-G | 10601 | P-334401 | 1 | 44,1 |
| | I SERIES (-ABS) | | | | | 11538 | K-334401 | 1 | 44,1 |
| | I - II SERIES (HARD BOOT) | 01-79→02-98 | 35 | ATE | 3256-G | 10679 | P-352801 | 2 | 28,5 |
| | I SERIES | 01-79→06-94 | 15,9 | AP LOCKHEED | 3322-G | | | | |

9000

| | | | | | | | | | |
|--|-------------------------|-------------|------|-------------|----------------|-------|----------|---|------|
| | ALL TYPES | 09-84→12-98 | 22,2 | LUCAS | 3105-G | | | | |
| | ALL TYPES (ABS- NO ASR) | 09-84→12-98 | 23,8 | ATE | 4778-G | | | | |
| | ALL TYPES | 09-84→12-98 | 54 | LUCAS | 3220-G | 10563 | P-544901 | 1 | 49,8 |
| | ALL TYPES | 09-84→12-98 | 57 | ATE | 3391-G | 10579 | P-575301 | 1 | 53 |
| | ALL TYPES | 09-84→12-98 | 57 | ATE | 4983-G | | | | |
| | ALL TYPES | 09-84→12-98 | 8 | LUCAS | 30001-G | | | | |
| | ALL TYPES | 09-84→12-98 | 33 | ATE | 3422-G | 10601 | P-334401 | 1 | 44,1 |
| | ALL TYPES (-ABS) | | | | | 11538 | K-334401 | 1 | 44,1 |
| | ALL TYPES | 09-84→12-98 | 15,9 | AP LOCKHEED | 3322-G | | | | |
| | ALL TYPES | 09-84→12-98 | 17,5 | LUCAS | 4402-G | | | | |

95 - 96

| | | | | | | | | | |
|--|-----------|-------------|------|-------------|---------------|-------|----------|---|----|
| | ALL TYPES | 01-71→08-80 | 20,6 | ATE - FAG | 3157-G | | | | |
| | ALL TYPES | 02-60→01-71 | 20,6 | AP LOCKHEED | 3954-G | | | | |
| | ALL TYPES | 02-60→08-80 | 20,6 | AP LOCKHEED | 6014-G | | | | |
| | ALL TYPES | 02-60→08-80 | 51 | AP LOCKHEED | 3847-G | 10851 | P-513901 | 1 | 39 |
| | ALL TYPES | 01-71→08-80 | 15,9 | AP LOCKHEED | 3195-G | | | | |
| | ALL TYPES | 02-60→01-71 | 19 | AP LOCKHEED | 2615-G | | | | |

99

| | | | | | | | | | |
|--|-----------|-------------|------|-------------|---------------|-------|----------|---|------|
| | ALL TYPES | 11-67→01-87 | 17,5 | ATE | 6012-G | | | | |
| | ALL TYPES | 11-67→01-87 | 19 | ATE | 3373-G | | | | |
| | ALL TYPES | 11-67→01-87 | 22,2 | LUCAS | 3848-G | | | | |
| | ALL TYPES | 11-67→01-87 | 48 | ATE | 4257-G | 10822 | P-483001 | 2 | 30 |
| | ALL TYPES | 11-67→01-87 | 54 | LUCAS | 3829-G | 11384 | P-543302 | 1 | 29,7 |
| | | | | | | | P-542904 | 1 | 29,7 |
| | ALL TYPES | 11-67→01-87 | 30 | ATE | 4670-G | 10706 | P-302801 | 2 | 28,8 |
| | ALL TYPES | 11-67→01-87 | 15,9 | LUCAS | 2731-G | | | | |
| | ALL TYPES | 11-67→01-87 | 15,9 | AP LOCKHEED | 3322-G | | | | |



Master Cylinder



Front Caliper



Front Wheel Cylinder



Clutch Master Cylinder



Front Caliper Guides



Pressure Regulating Valve



Rear Caliper



Rear Wheel Cylinder



Clutch Slave Cylinder



Rear Caliper Guides

Ø
(mm.)

VERSION

**SANTANA - LAND ROVER**

1 of 1

LAND - ROVER 109 - CAZORLA

| | | | | |
|--|--------------------------------|------|----------------|----------------|
| | CAZORLA (DOBLE CIRCUIT) | 23,8 | BEDNIX - BOSCH | 3209-G |
| | 109 OLD MODEL (SIMPLE CIRCUIT) | 25,4 | LUCAS | 10191-G |
| | 109 (DOBLE CIRCUIT) | 25,4 | LUCAS | 3015-G |
| | 109 (DOBLE CIRCUIT) | 25,4 | BEDNIX - BOSCH | 3061-G |
| | 109 (SIMPLE CIRCUIT) | 25,4 | LUCAS | 3161-G |
| | CAZORLA (DOBLE CIRCUIT) | 27 | LUCAS | 3123-G |
| | 109 (RUBBER CUP/SEAL TYPE) | 28,6 | LUCAS | 2598-G |
| | ALL TYPES (RUBBER SEAL TYPE) | 28,6 | LUCAS | 3002-G |
| | CAZORLA (2 PISTONS) | 48 | BEDNIX - BOSCH | 3129-G |
| | CAZORLA (2 PISTONS) | 48 | LUCAS | 3142-G |
| | CAZORLA | 28,6 | LUCAS | 3141-G |
| | 109 | 31,8 | LUCAS | 2597-G |
| | 109 | 19 | LUCAS | 2530-G |
| | CAZORLA | 19 | LUCAS | 3140-G |
| | ALL TYPES | 22,2 | LUCAS | 2705-G |

LAND - ROVER 2.000

| | | | | |
|--|---------------------------|------|-------|---------------|
| | ALL TYPES (DOBLE CIRCUIT) | 20,6 | LUCAS | 3229-G |
| | ALL TYPES | 25,4 | LUCAS | 3001-G |
| | ALL TYPES | 31,8 | LUCAS | 2597-G |
| | ALL TYPES | 19 | LUCAS | 2530-G |
| | ALL TYPES | 22,2 | LUCAS | 2705-G |

LAND - ROVER 2.500 - 3.500

| | | | | |
|--|-----------------------|------|-------|---------------|
| | ALL TYPES | 25,4 | LUCAS | 3161-G |
| | ALL TYPES (2 PISTONS) | 48 | LUCAS | 3142-G |
| | DIESEL (SHORT BODY) | 28,6 | LUCAS | 3141-G |
| | DIESEL (LONG BODY) | 31,8 | LUCAS | 3268-G |
| | ALL TYPES | 19 | LUCAS | 2530-G |
| | ALL TYPES | 22,2 | LUCAS | 2705-G |

LAND - ROVER 88

| | | | | |
|--|----------------------------|------|----------------|---------------|
| | ALL TYPES (SIMPLE CIRCUIT) | 19 | LUCAS | 2517-G |
| | ALL TYPES (DOBLE CIRCUIT) | 22,2 | LUCAS | 3014-G |
| | ALL TYPES (SIMPLE CIRCUIT) | 25,4 | LUCAS | 3161-G |
| | ALL TYPES | 31,8 | LUCAS | 2574-G |
| | CAZORLA (2 PISTONS) | 48 | BEDNIX - BOSCH | 3129-G |
| | ALL TYPES (2 PISTONS) | 48 | LUCAS | 3142-G |
| | ALL TYPES | 25,4 | LUCAS | 2573-G |
| | ALL TYPES | 19 | LUCAS | 2530-G |
| | ALL TYPES | 22,2 | LUCAS | 2705-G |



Master Cylinder



Front Caliper



Front Wheel Cylinder



Clutch Master Cylinder



Front Caliper Guides



Pressure Regulating Valve



Rear Caliper



Rear Wheel Cylinder



Clutch Slave Cylinder



Rear Caliper Guides

Ø
(mm.)

VERSION



SEAT

1 of 7

124 - 128 - 1200 - 1430 - D - SPORT

| | | | | | | | | |
|--|---------------------|------|----------------|--------|-------|----------|---|----|
| | ALL TYPES | 19 | BEDNIX - BOSCH | 2797-G | | | | |
| | ALL TYPES | 19 | LUCAS | 3108-G | | | | |
| | ALL TYPES | 19 | SEAT | 6076-G | | | | |
| | 124D - SPORT - 1430 | 22,2 | BEDNIX - BOSCH | 2606-G | | | | |
| | ALL TYPES | 48 | BEDNIX - BOSCH | 2675-G | | | | |
| | 128 - 1200 - SPORT | 19 | BEDNIX - BOSCH | 2605-G | | | | |
| | 128 - 1200 - SPORT | 19 | BEDNIX - BOSCH | 4150-G | | | | |
| | 124 - SPORT - 1430 | 22,2 | BEDNIX - BOSCH | 2602-G | | | | |
| | 124D - 1200 - SPORT | 22,2 | LUCAS | 3118-G | | | | |
| | ALL TYPES | 34 | BEDNIX - BOSCH | 2684-G | 11556 | P-344001 | 1 | 40 |

127 - FURA

| | | | | | | | | |
|--|-----------|----|----------------|--------|-------|----------|---|----|
| | ALL TYPES | 19 | LUCAS | 3108-G | | | | |
| | ALL TYPES | 19 | SEAT | 3137-G | | | | |
| | ALL TYPES | 48 | BEDNIX - BOSCH | 2679-G | 10836 | P-485003 | 1 | 50 |
| | 127 - 128 | 48 | GIRLING | 3267-G | 11343 | P-484806 | 1 | 48 |
| | ALL TYPES | 19 | BEDNIX - BOSCH | 2605-G | | | | |
| | ALL TYPES | 19 | | 3138-G | | | | |
| | FURA | 19 | BEDNIX - BOSCH | 4150-G | | | | |
| | ALL TYPES | 19 | LUCAS | 6174-G | | | | |
| | ALL TYPES | 13 | | 3064-G | | | | |

1500

| | | | | | | | | |
|--|-----------|-------|--|--------|--|--|--|--|
| | ALL TYPES | 28,57 | | 6074-G | | | | |
| | ALL TYPES | 48 | | 2634-G | | | | |

600

| | | | | | | | | |
|--|-----------|------|-------|--------|--|--|--|--|
| | ALL TYPES | 19 | SEAT | 2529-G | | | | |
| | ALL TYPES | 19 | | 2557-G | | | | |
| | ALL TYPES | 22,2 | | 2588-G | | | | |
| | ALL TYPES | 19 | | 2587-G | | | | |
| | 600 E - L | 19 | LUCAS | 6174-G | | | | |

ALHAMBRA

| | | | | | | | | | |
|--|-----------------------|--------|------|-------|---------|-------|----------|---|------|
| | ALL TYPES (ABS) | 04-96→ | 25,4 | ATE | 4686-G | | | | |
| | ALL TYPES | 04-96→ | 57 | ATE | 3391-G | 10933 | P-575801 | 1 | 58,5 |
| | ALL TYPES (16" WHEEL) | 06-00→ | 57 | ATE | 4767-G | 10590 | P-575504 | 1 | 55,4 |
| | ALL TYPES | 04-96→ | 57 | ATE | 4983-G | | | | |
| | 1.4CSI | 06-10→ | 60 | TRW | 6178-G | | | | |
| | ALL TYPES (16" WHEEL) | 06-00→ | 12 | ATE | 30095-G | | | | |
| | ALL TYPES | 06-00→ | 38 | LUCAS | 4442-G | 10520 | P-385101 | 1 | 51 |
| | | | | | | 11651 | K-385101 | 1 | 51 |
| | ALL TYPES | 04-96→ | 38 | LUCAS | 4770-G | 10523 | P-385101 | 1 | 51 |
| | | | | | | 11170 | K-385101 | 1 | 51 |
| | ALL TYPES | 04-96→ | 38 | LUCAS | 4977-G | | | | |
| | ALL TYPES | 04-96→ | 8 | LUCAS | 30001-G | | | | |
| | ALL TYPES | 06-00→ | 8 | LUCAS | 30004-G | | | | |
| | ALL TYPES | 04-96→ | 19 | FAG | 4141-G | | | | |



Master Cylinder



Front Caliper



Front Wheel Cylinder



Clutch Master Cylinder



Front Caliper Guides



Pressure Regulating Valve



Rear Caliper



Rear Wheel Cylinder



Clutch Slave Cylinder



Rear Caliper Guides

Ø
(mm.)

VERSION



SEAT

2 of 7

ALTEA

| | | | | | | | | | |
|--|------------------------|--------|------|-------|----------------|-------|------------|---|------|
| | ALL TYPES | 03-04→ | 22,2 | BOSCH | 6200-G | | | | |
| | XL | 10-06→ | | | | | | | |
| | ALL TYPES | 03-04→ | 23,8 | ATE | 4806-G | | | | |
| | ALL TYPES (SOFT BOOT) | 03-04→ | 54 | ATE | 3660-G | 10885 | P-545801 | 1 | 58,5 |
| | ALL TYPES (HARD BOOT) | 03-04→ | 54 | ATE | 4318-G | 10890 | P-545502 | 1 | 55,5 |
| | ALL TYPES (HARD BOOT) | 03-04→ | 54 | ATE | 6033-G | | | | |
| | ALL TYPES | 03-04→ | 24 | ATE | 4331-G | | | | |
| | ALL TYPES | 03-04→ | 38 | LUCAS | 4442-G | 10520 | P-385101 | 1 | 51 |
| | | | | | | 11651 | K-385101 | 1 | 51 |
| | ALL TYPES | 03-04→ | 38 | BOSCH | 4858-G | 10631 | P-384901 | 1 | 49 |
| | | | | | | 11617 | K-384901-R | 1 | 49 |
| | | | | | | 11616 | K-384901-L | 1 | 49 |
| | ALL TYPES | 03-04→ | 41 | LUCAS | 4289-G | 10610 | P-415101 | 1 | 51 |
| | | | | | | 11696 | K-415101 | 1 | 51 |
| | ALL TYPES | 03-04→ | 8 | LUCAS | 30004-G | | | | |
| | ALL TYPES (DISC 255MM) | 03-04→ | 10 | LUCAS | 30041-G | | | | |
| | ALL TYPES | 03-04→ | 15,9 | SACHS | 4913-G | | | | |
| | ALL TYPES | 03-04→ | 19 | SACHS | 4994-G | | | | |

AROSA

| | | | | | | | | | |
|--|-------------------------------------|-------------|-------|----------------|----------------|-------|----------|---|------|
| | ALL TYPES (LHD) | 05-97→06-04 | 20,6 | ATE | 3474-G | | | | |
| | ALL TYPES (RHD) | 05-97→06-04 | 22,2 | BEDNIX - BOSCH | 3361-G | | | | |
| | ALL TYPES | 05-97→06-04 | 22,2 | ATE | 4677-G | | | | |
| | ALL TYPES (ABS) | 05-97→06-04 | 23,8 | ATE | 4806-G | | | | |
| | 1.4 - 1.7 (DISC 12-18MM VENTILATED) | 05-97→06-04 | 48 | ATE | 4293-G | 10545 | P-485401 | 1 | 54,6 |
| | 1.0 (DISC 10MM) | | | | | 10546 | P-484601 | 1 | 46,6 |
| | 1.4 - 1.7 (DISC 12-18MM VENTILATED) | 05-97→06-04 | 12 | ATE | 30025-G | | | | |
| | 1.0 (DISC 10MM) | 05-97→06-04 | 12 | ATE | 30026-G | | | | |
| | ALL TYPES | 05-97→06-04 | 15,9 | FAG | 3480-G | | | | |
| | ALL TYPES | 05-97→06-04 | 17,46 | FAG | 4862-G | | | | |
| | 1.4 16V 1.4TDI | 01-00→06-04 | 34 | LUCAS | 6007-G | 10677 | P-334601 | 1 | 46,8 |
| | | | | | | 11563 | K-334601 | 1 | 46,8 |
| | 1.4 16V 1.4TDI | 01-00→06-04 | 34 | LUCAS | 6008-G | | | | |



Master Cylinder



Front Caliper



Front Wheel Cylinder



Clutch Master Cylinder



Front Caliper Guides



Pressure Regulating Valve



Rear Caliper



Rear Wheel Cylinder



Clutch Slave Cylinder



Rear Caliper Guides

Ø
(mm.)

VERSION



SEAT

3 of 7

CORDOBA

| | | | | | | | | | |
|--|-----------------------------|-------------|------|----------------|----------------|-------|----------|---|------|
| | ALL TYPES (ABS) | 09-02→ | 19 | FAG | 4854-G | | | | |
| | ALL TYPES | 02-93→ | 20,6 | ATE | 3474-G | | | | |
| | ALL TYPES | 02-93→ | 20,6 | BEDNIX - BOSCH | 3692-G | | | | |
| | ALL TYPES | 09-02→ | 20,6 | FAG | 4855-G | | | | |
| | ALL TYPES (CAST IRON BODY) | 02-93→ | 22,2 | BEDNIX - BOSCH | 3361-G | | | | |
| | ALL TYPES (ALUMINIUM BODY) | 02-93→ | 22,2 | ATE | 3475-G | | | | |
| | ALL TYPES | 02-93→ | 22,2 | FAG | 3716-G | | | | |
| | ALL TYPES (ABS) | 06-99→ | 23,8 | ATE | 4806-G | | | | |
| | 1.6 - 1.8 (DISC 12-20MM) | 02-93→10-02 | 48 | ATE | 4293-G | 10618 | P-485501 | 1 | 55,2 |
| | 1.6 - 1.9SDI (DISC 12-20MM) | | | | | 10545 | P-485401 | 1 | 54,6 |
| | 1.0 - 1.4 - TD (DISC 10MM) | 02-93→12-02 | | | | 10542 | P-484602 | 1 | 46,6 |
| | 1.8 - 2.0 | 02-93→10-02 | 54 | LUCAS | 3220-G | 10570 | P-545301 | 1 | 53,7 |
| | ALL TYPES | 02-93→10-02 | 8 | LUCAS | 30001-G | | | | |
| | ALL TYPES (DISC 288MM) | 09-02→11-09 | 10 | LUCAS | 30078-G | | | | |
| | 1.4 - 1.9SDI (DISC 12-20MM) | 02-93→10-02 | 12 | ATE | 30025-G | | | | |
| | 1.0 - 1.4 - TD (DISC 10MM) | 02-93→10-02 | 12 | ATE | 30026-G | | | | |
| | ALL TYPES | 02-93→10-02 | 17,5 | ATE | 3162-G | | | | |
| | ALL TYPES | 02-93→10-02 | 17,5 | FAG | 3519-G | | | | |
| | ALL TYPES (DISC 9MM) | 09-02→11-09 | 34 | TRW | 6007-G | 10677 | P-334601 | 1 | 46,8 |
| | | | | | | 11563 | K-334601 | 1 | 46,8 |
| | ALL TYPES | 01-93→06-96 | 38 | GIRLING | 3247-G | 10521 | P-385101 | 1 | 51 |
| | | | | | | 11652 | K-385101 | 1 | 51 |
| | 2.0 16V | 08-96→06-99 | 38 | LUCAS | 4770-G | 10523 | P-385101 | 1 | 51 |
| | | | | | | 11170 | K-385101 | 1 | 51 |
| | 2.0 16V | 08-96→06-99 | 8 | LUCAS | 30001-G | | | | |
| | ALL TYPES | 09-02→11-09 | 8 | TRW | 30050-G | | | | |
| | ALL TYPES | 09-02→ | 19 | SACHS | 4994-G | | | | |

EXEO

| | | | | | | | | | |
|--|-----------|--------|------|-------|---------------|-------|----------|---|------|
| | ALL TYPES | | 25,4 | LUCAS | 6183-G | | | | |
| | 2.0 | 03-09→ | 60 | ATE | 4565-G | 10969 | P-605501 | 1 | 55,5 |



Master Cylinder



Front Caliper



Front Wheel Cylinder



Clutch Master Cylinder



Front Caliper Guides



Pressure Regulating Valve



Rear Caliper



Rear Wheel Cylinder



Clutch Slave Cylinder



Rear Caliper Guides

Ø
(mm.)

VERSION



SEAT

4 of 7

IBIZA

| | | | | | | | | | |
|--|---|-------------|-------|----------------|----------------|-------|----------|---|------|
| | I SERIES (-SERVO) | 06-84→12-93 | 19 | BEDNIX - BOSCH | 2797-G | | | | |
| | I SERIES (-SERVO) | 06-84→12-93 | 19 | SEAT | 3137-G | | | | |
| | IV SERIES (ABS) | 01-02→11-09 | 19 | FAG | 4854-G | | | | |
| | I SERIES | 06-84→12-93 | 20,6 | BEDNIX - BOSCH | 3127-G | | | | |
| | I SERIES | 06-84→12-93 | 20,6 | ATE | 3243-G | | | | |
| | I SERIES | 06-84→12-93 | 20,6 | LUCAS | 3309-G | | | | |
| | II SERIES | 03-93→08-99 | 20,6 | ATE | 3474-G | | | | |
| | II SERIES | 03-93→08-99 | 20,6 | BEDNIX - BOSCH | 3692-G | | | | |
| | IV SERIES | 02-02→11-09 | 20,6 | LUCAS | 4788-G | | | | |
| | IV SERIES | 02-02→11-09 | 20,6 | FAG | 4855-G | | | | |
| | II SERIES (CAST IRON BODY) | 03-93→08-99 | 22,2 | BEDNIX - BOSCH | 3361-G | | | | |
| | II SERIES (ALUMINIUM BODY) | 03-93→08-99 | 22,2 | ATE | 3475-G | | | | |
| | II SERIES | 03-93→08-99 | 22,2 | FAG | 3716-G | | | | |
| | III SERIES (ABS) | 08-99→02-02 | 23,8 | ATE | 4806-G | | | | |
| | I SERIES 1.2 - 1.5 - 1.7D (DISC 11MM) | 06-84→12-93 | 48 | BEDNIX - BOSCH | 2675-G | 10834 | P-485003 | 1 | 50 |
| | I SERIES | 06-84→12-93 | 48 | LUCAS | 3077-G | | | | |
| | I SERIES 1.5 (DISC 20MM) | 06-84→12-93 | 48 | BEDNIX - BOSCH | 3377-G | 10555 | P-485002 | 1 | 50,5 |
| | II SERIES (DISC 12-20MM) | 03-93→08-99 | 48 | ATE | 4293-G | 10618 | P-485501 | 1 | 55,2 |
| | III SERIES (DISC 20MM) | 08-99→02-02 | | | | 10545 | P-485401 | 1 | 54,6 |
| | II SERIES (DISC 10MM) | 03-93→08-99 | | | | 10542 | P-484602 | 1 | 46,6 |
| | IV - V SERIES (DISC 22MM) | 02-02→ | 54 | ATE | 3073-G | 10900 | P-545801 | 1 | 58,5 |
| | II - III - IV SERIES (DISC 20-22MM) | 03-93→11-09 | 54 | LUCAS | 3220-G | 10570 | P-545301 | 1 | 53,7 |
| | V SERIES (HARD BOOT) | 07-08→ | 54 | ATE | 4318-G | 10890 | P-545502 | 1 | 55,5 |
| | IV SERIES (DISC 25MM) | 02-02→ | 54 | LUCAS | 4484-G | 10575 | P-545301 | 1 | 53,7 |
| | II - III SERIES | 01-93→02-02 | 8 | LUCAS | 30001-G | | | | |
| | IV SERIES (DISC 25MM) | 02-02→ | 10 | LUCAS | 30078-G | | | | |
| | II - III SERIES (DISC 12-20MM VENTILATED) | 03-93→02-02 | 12 | ATE | 30025-G | | | | |
| | II SERIES (DISC 10MM) | 03-93→08-99 | 12 | ATE | 30026-G | | | | |
| | II - III SERIES | 03-93→02-02 | 17,46 | FAG | 4862-G | | | | |
| | I SERIES (RUBBER FIAT TYPE) | 06-84→12-93 | 17,5 | BEDNIX - BOSCH | 3045-G | | | | |
| | I SERIES (EXCEPT SPAIN) (RUBBER CUP TYPE) | 06-84→12-93 | 17,5 | BEDNIX - BOSCH | 3139-G | | | | |
| | II SERIES | 03-93→08-99 | 17,5 | ATE | 3162-G | | | | |
| | I SERIES | 06-84→12-93 | 17,5 | FAG | 3519-G | | | | |
| | III - IV SERIES (DISC 10MM) | 08-99→11-09 | 34 | LUCAS | 6007-G | 10677 | P-334601 | 1 | 46,8 |
| | | | | | | 11563 | K-334601 | 1 | 46,8 |
| | III - IV SERIES | 08-99→11-09 | 34 | LUCAS | 6008-G | | | | |
| | II SERIES 1.8 - 2.0 | 01-93→07-96 | 38 | GIRLING | 3247-G | 10521 | P-385101 | 1 | 51 |
| | II SERIES 1.8 - 2.0 (DISC 10MM) | | | | | 11652 | K-385101 | 1 | 51 |
| | IV - V SERIES (DISC 6MM) | 02-02→ | 38 | LUCAS | 4442-G | 10520 | P-385101 | 1 | 51 |
| | IV - V SERIES (DISC 9MM) | | | | | 11651 | K-385101 | 1 | 51 |
| | II SERIES 1.8 - 2.0 (DISC 10MM) | 08-96→08-99 | 38 | LUCAS | 4770-G | 10523 | P-385101 | 1 | 51 |
| | | | | | | 11170 | K-385101 | 1 | 51 |
| | II SERIES 1.8 - 2.0 | 08-96→08-99 | 8 | LUCAS | 30001-G | | | | |
| | IV - V SERIES | 02-02→ | 8 | LUCAS | 30004-G | | | | |
| | III SERIES | 08-99→02-02 | 15,9 | FAG | 4521-G | | | | |
| | IV SERIES | 02-02→11-09 | 19 | SACHS | 4994-G | | | | |
| | I SERIES | 06-84→12-93 | 13 | | 3064-G | | | | |



Master Cylinder



Front Caliper



Front Wheel Cylinder



Clutch Master Cylinder



Front Caliper Guides



Pressure Regulating Valve



Rear Caliper



Rear Wheel Cylinder



Clutch Slave Cylinder



Rear Caliper Guides



∅
(mm.)

VERSION



SEAT

5 of 7

INCA

| | | | | | | | | |
|--|----------------------------|-------------|------|----------------|----------------|-------|----------|--------|
| | ALL TYPES (CAST IRON BODY) | 11-95→06-03 | 22,2 | BEDNIX - BOSCH | 3361-G | | | |
| | ALL TYPES (ALUMINIUM BODY) | 11-95→06-03 | 22,2 | ATE | 3475-G | | | |
| | ALL TYPES | 11-95→06-03 | 22,2 | FAG | 3716-G | | | |
| | ALL TYPES | 11-95→06-03 | 54 | LUCAS | 3220-G | 10570 | P-545301 | 1 53,7 |
| | ALL TYPES | 11-95→06-03 | 8 | LUCAS | 30003-G | | | |
| | ALL TYPES | 11-95→06-03 | 20,6 | FAG | 3560-G | | | |
| | ALL TYPES | 11-95→06-03 | 23,8 | FAG | 4251-G | | | |

LEON

| | | | | | | | | |
|--|-------------------------|-------------|------|----------------|----------------|-------|------------|--------|
| | II SERIES | 05-05→12-12 | 22,2 | BOSCH | 6200-G | | | |
| | I SERIES | 11-99→06-06 | 23,8 | BEDNIX - BOSCH | 4132-G | | | |
| | I - II SERIES (ABS) | 11-99→12-12 | 23,8 | ATE | 4806-G | | | |
| | I SERIES (SOFT BOOT) | 11-99→06-06 | 54 | ATE | 3660-G | 10885 | P-545801 | 1 58,5 |
| | II SERIES (HARD BOOT) | 05-05→12-12 | 54 | ATE | 4318-G | 10890 | P-545502 | 1 55,5 |
| | I SERIES | 10-99→06-06 | 38 | LUCAS | 4442-G | 10520 | P-385101 | 1 51 |
| | | | | | | 11651 | K-385101 | 1 51 |
| | | | | | | 10631 | P-384901 | 1 49 |
| | II SERIES | 05-05→12-12 | 38 | BOSCH | 4858-G | 11617 | K-384901-R | 1 49 |
| | | | | | | 11616 | K-384901-L | 1 49 |
| | | | | | | 10610 | P-415101 | 1 51 |
| | I SERIES | 11-99→06-06 | 41 | LUCAS | 4289-G | 11696 | K-415101 | 1 51 |
| | | | | | | | | |
| | I SERIES | 11-99→06-06 | 41 | LUCAS | 6031-G | | | |
| | I SERIES (CALIPER 38MM) | 10-99→06-06 | 8 | LUCAS | 30004-G | | | |
| | I SERIES (CALIPER 41MM) | 11-99→06-06 | 8 | LUCAS | 30050-G | | | |
| | I SERIES | 11-99→06-06 | 19 | FAG | 4253-G | | | |
| | III SERIES 1.6 | 05-05→12-12 | 19 | SACHS | 4994-G | | | |
| | I SERIES | 11-99→06-06 | 23,8 | FAG | 4251-G | | | |

MALAGA

| | | | | | | | | |
|--|--------------------------------------|-------------|------|----------------|---------------|-------|----------|--------|
| | ALL TYPES | 11-84→12-93 | 20,6 | BEDNIX - BOSCH | 3127-G | | | |
| | ALL TYPES | 11-84→12-93 | 20,6 | ATE | 3243-G | | | |
| | ALL TYPES | 11-84→12-93 | 20,6 | LUCAS | 3309-G | | | |
| | DIESEL | 11-84→12-93 | 48 | BEDNIX - BOSCH | 2675-G | 10834 | P-485003 | 1 50 |
| | ALL TYPES | 11-84→12-93 | 48 | BEDNIX - BOSCH | 3377-G | 10555 | P-485002 | 1 50,5 |
| | ALL TYPES (RUBBER FIAT TYPE) | 11-84→12-93 | 17,5 | BEDNIX - BOSCH | 3045-G | | | |
| | ALL TYPES (-SPAIN) (RUBBER CUP TYPE) | 11-84→12-93 | 17,5 | BEDNIX - BOSCH | 3139-G | | | |



Master Cylinder



Front Caliper



Front Wheel Cylinder



Clutch Master Cylinder



Front Caliper Guides



Pressure Regulating Valve



Rear Caliper



Rear Wheel Cylinder



Clutch Slave Cylinder



Rear Caliper Guides

Ø
(mm.)

VERSION



SEAT

6 of 7

PANDA TRANS - TERRA - MARBELLA

| | | | | | | | | |
|--|--------------------------------|------|----------------|----------------|-------|----------|---|----|
| | ALL TYPES | 19 | BEDNIX - BOSCH | 2797-G | | | | |
| | ALL TYPES | 19 | LUCAS | 3108-G | | | | |
| | ALL TYPES | 19 | SEAT | 3137-G | | | | |
| | ALL TYPES | 20,6 | BEDNIX - BOSCH | 3127-G | | | | |
| | ALL TYPES | 48 | BEDNIX - BOSCH | 2675-G | 10834 | P-485003 | 1 | 50 |
| | ALL TYPES | 48 | LUCAS | 3077-G | | | | |
| | ALL TYPES | 8 | LUCAS | 30003-G | | | | |
| | ALL TYPES | 15,9 | SEAT | 3049-G | | | | |
| | ALL TYPES | 15,9 | LUCAS | 3136-G | | | | |
| | ALL TYPES | 15,9 | BEDNIX - BOSCH | 6342-G | | | | |
| | MARBELLA | 17,5 | BEDNIX - BOSCH | 3139-G | | | | |
| | TRANS-TERRA | 22,2 | SEAT | 2606-G | | | | |
| | TRANS-TERRA (RUBBER SEAL TYPE) | 22,2 | BEDNIX - BOSCH | 4322-G | | | | |

RITMO - RONDA

| | | | | | | | | |
|--|-----------|-------------|------|----------------|----------------|-------|----------|------|
| | RITMO | 07-78→09-83 | 19 | BEDNIX - BOSCH | 2797-G | | | |
| | ALL TYPES | 07-78→11-88 | 19 | LUCAS | 3108-G | | | |
| | RITMO | 07-78→11-88 | 19 | FIAT | 3137-G | | | |
| | RONDA | 06-82→11-88 | 20,6 | BEDNIX - BOSCH | 3127-G | | | |
| | RONDA | 06-82→11-88 | 20,6 | ATE | 3243-G | | | |
| | ALL TYPES | 07-78→11-88 | 48 | LUCAS | 3077-G | | | |
| | RONDA | 06-82→11-88 | 48 | LUCAS | 3359-G | 11344 | P-484806 | 1 48 |
| | RONDA | 06-82→11-88 | 8 | LUCAS | 30003-G | | | |
| | ALL TYPES | 07-78→09-83 | 17,5 | BEDNIX - BOSCH | 3045-G | | | |
| | ALL TYPES | 07-78→11-88 | 17,5 | LUCAS | 3109-G | | | |
| | RONDA | 06-82→09-83 | 17,5 | BEDNIX - BOSCH | 3139-G | | | |
| | ALL TYPES | 07-78→11-88 | 17,5 | ATE | 3162-G | | | |
| | RITMO | 07-78→09-83 | 17,5 | BEDNIX - BOSCH | 6344-G | | | |
| | ALL TYPES | 07-78→11-88 | 13 | | 3064-G | | | |



Master Cylinder



Front Caliper



Front Wheel Cylinder



Clutch Master Cylinder



Front Caliper Guides



Pressure Regulating Valve



Rear Caliper



Rear Wheel Cylinder



Clutch Slave Cylinder



Rear Caliper Guides



Ø
(mm.)

VERSION



SEAT

7 of 7

TOLEDO

| | | | | | | | | | |
|--|----------------------------------|-------------|------|----------------|----------------|-------|----------|---|------|
| | I SERIES 1.6i (→CH.1L-ZD101450) | 01-91→10-99 | 20,6 | BEDNIX - BOSCH | 3127-G | | | | |
| | I SERIES 1.6i (→CH.1L-ZD101450) | 01-91→10-99 | 20,6 | ATE | 3243-G | | | | |
| | I SERIES (CAST IRON BODY) | 01-91→10-99 | 22,2 | BEDNIX - BOSCH | 3361-G | | | | |
| | I SERIES (ALUMINIUM BODY) | 01-91→10-99 | 22,2 | ATE | 3475-G | | | | |
| | I SERIES | 01-91→10-99 | 22,2 | FAG | 3716-G | | | | |
| | III SERIES | 04-04→05-09 | 22,2 | BOSCH | 6200-G | | | | |
| | II SERIES (NO STABILITY CONTROL) | 10-98→05-06 | 23,8 | BEDNIX - BOSCH | 4132-G | | | | |
| | II - III SERIES (ABS) | 10-98→05-09 | 23,8 | ATE | 4806-G | | | | |
| | I SERIES | 01-91→10-99 | 48 | ATE | 4293-G | 10618 | P-485501 | 1 | 55,2 |
| | II SERIES | 10-98→05-06 | 54 | ATE | 3073-G | 10900 | P-545801 | 1 | 58,5 |
| | I SERIES | 01-91→10-99 | 54 | LUCAS | 3220-G | 10570 | P-545301 | 1 | 53,7 |
| | III SERIES | 04-04→05-09 | 54 | ATE | 3660-G | 10885 | P-545801 | 1 | 58,5 |
| | III - IV SERIES (HARD BOOT) | 04-04→ | 54 | ATE | 4318-G | 10890 | P-545502 | 1 | 55,5 |
| | I SERIES | 01-91→10-99 | 8 | LUCAS | 30001-G | | | | |
| | I SERIES | 01-91→10-99 | 12 | ATE | 30025-G | | | | |
| | I SERIES | 01-91→10-99 | 17,5 | ATE | 3162-G | | | | |
| | I SERIES | 01-91→10-99 | 17,5 | FAG | 3519-G | | | | |
| | I SERIES | 01-91→10-99 | 38 | LUCAS | 3247-G | 10521 | P-385101 | 1 | 51 |
| | I SERIES | 01-91→10-99 | 38 | LUCAS | 3247-G | 11652 | K-385101 | 1 | 51 |
| | II - III - IV SERIES | 10-98→ | 38 | LUCAS | 4442-G | 10520 | P-385101 | 1 | 51 |
| | I SERIES | 01-91→10-99 | 38 | LUCAS | 4442-G | 11651 | K-385101 | 1 | 51 |
| | I SERIES | 01-91→10-99 | 38 | GIRLING | 4770-G | 10523 | P-385101 | 1 | 51 |
| | I - II SERIES | 01-91→05-06 | 41 | LUCAS | 4289-G | 11170 | K-385101 | 1 | 51 |
| | I - II SERIES | 01-91→05-06 | 41 | LUCAS | 4289-G | 10610 | P-415101 | 1 | 51 |
| | I - II SERIES | 01-91→05-06 | 41 | LUCAS | 4289-G | 11696 | K-415101 | 1 | 51 |
| | I - II SERIES | 01-91→05-06 | 41 | LUCAS | 6031-G | | | | |
| | I SERIES | 01-91→10-99 | 8 | GIRLING | 30001-G | | | | |
| | III SERIES | 04-04→05-09 | 8 | LUCAS | 30004-G | | | | |
| | IV SERIES | 07-12→ | 8 | LUCAS | 30050-G | | | | |
| | I - II SERIES | 01-91→05-06 | | | | | | | |
| | III SERIES | 04-04→05-09 | 15,9 | SACHS | 4913-G | | | | |
| | II SERIES | 10-98→05-06 | 19 | FAG | 4253-G | | | | |
| | III SERIES | 04-04→05-09 | 19 | SACHS | 4994-G | | | | |
| | I SERIES | 01-91→10-99 | 22,2 | FAG | 4557-G | | | | |
| | I SERIES | 01-91→10-99 | 23 | ATE - FAG | 3478-G | | | | |
| | II SERIES | 10-98→05-06 | 23,8 | FAG | 4251-G | | | | |



Master Cylinder



Front Caliper



Front Wheel Cylinder



Clutch Master Cylinder



Front Caliper Guides



Pressure Regulating Valve



Rear Caliper



Rear Wheel Cylinder



Clutch Slave Cylinder



Rear Caliper Guides

Ø
(mm.)

VERSION



SKODA

1 of 3

FABIA

| | | | | | | | | | |
|--|-----------------------------------|--------|------|----------------|----------------|-------|----------|---|------|
| | ALL TYPES (ABS) | 08-99→ | 19 | FAG | 4854-G | | | | |
| | ALL TYPES | 08-99→ | 20,6 | LUCAS | 4788-G | | | | |
| | ALL TYPES | 08-99→ | 20,6 | FAG | 4855-G | | | | |
| | ALL TYPES (DISC 18MM) | 08-99→ | 48 | BEDNIX - BOSCH | 4293-G | 10545 | P-485401 | 1 | 54,6 |
| | ALL TYPES (DISC 22MM) | 08-99→ | 54 | ATE | 3073-G | 10900 | P-545801 | 1 | 58,5 |
| | 1.2TDI - 1.4TSI - RS (HARD BOOT) | 12-06→ | 54 | ATE | 4318-G | 10890 | P-545502 | 1 | 55,5 |
| | ALL TYPES (DISC 25MM) | 08-99→ | 54 | LUCAS | 4484-G | 10575 | P-545301 | 1 | 53,7 |
| | ALL TYPES (DISC 288MM) | 08-99→ | 10 | LUCAS | 30078-G | | | | |
| | ALL TYPES (ALUMINIUM BODY) (-ABS) | 08-99→ | 19 | FAG | 3479-G | | | | |
| | ALL TYPES (CAST IRON BODY) (-ABS) | 08-99→ | 19 | FAG | 3690-G | | | | |
| | ALL TYPES | 08-99→ | 38 | LUCAS | 4442-G | 10520 | P-385101 | 1 | 51 |
| | | | | | | 11651 | K-385101 | 1 | 51 |
| | ALL TYPES | 08-99→ | 8 | LUCAS | 30004-G | | | | |
| | ALL TYPES | 08-99→ | 8 | TRW | 30050-G | | | | |
| | ALL TYPES | 08-99→ | 19 | SACHS | 4994-G | | | | |

FAVORIT

| | | | | | | | | | |
|--|-----------|-------------|------|---------|----------------|-------|----------|---|------|
| | ALL TYPES | 05-89→06-97 | 22,2 | | 3463-G | | | | |
| | ALL TYPES | 05-89→06-97 | 54 | LUCAS | 3220-G | 10563 | P-544901 | 1 | 49,8 |
| | ALL TYPES | 05-89→06-97 | 8,5 | GIRLING | 30049-G | | | | |
| | ALL TYPES | 05-89→06-97 | 19 | | 3688-G | | | | |

FELICIA

| | | | | | | | | | |
|--|-----------|--|------|-------|---------------|-------|----------|---|------|
| | ALL TYPES | | 22,2 | LUCAS | 3689-G | | | | |
| | ALL TYPES | | 54 | LUCAS | 3220-G | 10563 | P-544901 | 1 | 49,8 |
| | ALL TYPES | | 19 | | 3071-G | | | | |
| | ALL TYPES | | 20,6 | LUCAS | 4250-G | | | | |
| | ALL TYPES | | 22,2 | LUCAS | 3063-G | | | | |

FORMAN

| | | | | | | | | | |
|--|-------|-------------|----|-------|---------------|-------|----------|---|------|
| | KOMBI | 06-88→06-95 | 54 | LUCAS | 3220-G | 10563 | P-544901 | 1 | 49,8 |
|--|-------|-------------|----|-------|---------------|-------|----------|---|------|



Master Cylinder



Front Caliper



Front Wheel Cylinder



Clutch Master Cylinder



Front Caliper Guides



Pressure Regulating Valve



Rear Caliper



Rear Wheel Cylinder



Clutch Slave Cylinder



Rear Caliper Guides

Ø
(mm.)

VERSION



SKODA

2 of 3

OCTAVIA

| | | | | | | | | | |
|--|--|-------------|------|----------------|----------------|-------|------------|---|------|
| | II SERIES (1U) | 09-96→12-10 | 22,2 | BOSCH | 6200-G | | | | |
| | I SERIES (1U) | 09-96→12-10 | 23,8 | BEDNIX - BOSCH | 4132-G | | | | |
| | I SERIES (1U) (ABS) | 09-96→12-10 | 23,8 | ATE | 4806-G | | | | |
| | I SERIES (1U) | 09-96→12-10 | 54 | ATE | 3073-G | 10900 | P-545801 | 1 | 58,5 |
| | II SERIES (1Z) (HARD BOOT) | 02-04→06-13 | 54 | ATE | 4318-G | 10890 | P-545502 | 1 | 55,5 |
| | II SERIES (1Z) (HARD BOOT) | 02-04→06-13 | 54 | ATE | 6033-G | | | | |
| | III SERIES (5E) | 11-12→ | 57 | TRW | 6063-G | 10938 | P-575401 | 1 | 54,8 |
| | III SERIES (5E) | 11-12→ | 60 | TRW | 6178-G | | | | |
| | ALL TYPES 5E | 11-12→ | 10 | TRW | 30152-G | | | | |
| | I SERIES (1U) | 09-96→12-10 | 20,6 | FAG | 3560-G | | | | |
| | I - II - III SERIES (1U - 1Z - 5E) | 09-96→ | 38 | LUCAS | 4442-G | 10520 | P-385101 | 1 | 51 |
| | | | | | | 11651 | K-385101 | 1 | 51 |
| | II SERIES (1Z) | 02-04→06-13 | 38 | BOSCH | 4858-G | 10631 | P-384901 | 1 | 49 |
| | | | | | | 11617 | K-384901-R | 1 | 49 |
| | | | | | | 11616 | K-384901-L | 1 | 49 |
| | I - II SERIES (1U - 1Z) | 09-96→06-13 | 41 | LUCAS | 4289-G | 10610 | P-415101 | 1 | 51 |
| | | | | | | 11696 | K-415101 | 1 | 51 |
| | I - II SERIES (1U - 1Z) | 09-96→06-13 | 41 | LUCAS | 6031-G | | | | |
| | I - II SERIES (1U - 1Z) (CALIPER 38MM) | 09-96→06-13 | 8 | LUCAS | 30004-G | | | | |
| | I SERIES (1U) (CALIPER 41MM) | 09-96→12-10 | 8 | TRW | 30050-G | | | | |
| | II SERIES (1Z) (DISC 260MM) | 02-04→06-13 | 10 | LUCAS | 30070-G | | | | |
| | I SERIES (1U) EXCEPT 1.6 | 09-96→12-10 | 19 | FAG | 4253-G | | | | |
| | II SERIES (1Z) | 02-04→06-13 | 19 | SACHS | 4994-G | | | | |
| | I SERIES (1U) 1.6 | 09-96→12-10 | 23,8 | FAG | 4251-G | | | | |

PRAKTIK

| | | | | | | | | | |
|--|-----------|--------|----|-------|---------------|--|--|--|--|
| | ALL TYPES | 03-06→ | 19 | SACHS | 4994-G | | | | |
|--|-----------|--------|----|-------|---------------|--|--|--|--|

RAPID

| | | | | | | | | | |
|--|--------------------------------|-------------|----|-------|----------------|-------|----------|---|------|
| | (120G - 130G - 135G) 1.3 | 02-83→10-91 | 19 | | 3462-G | | | | |
| | (120G - 130G - 135G) 1.3 | 03-85→01-92 | 34 | PAL | 4336-G | 10711 | P-342802 | 4 | 28,5 |
| | ALL TYPES | 07-12→ | 54 | ATE | 4318-G | 10890 | P-545502 | 1 | 55,5 |
| | (120G - 130G - 135G) 1.2 - 1.3 | 02-83→10-91 | 19 | | 2595-G | | | | |
| | (NH1 - NH3) | 07-12→ | 38 | LUCAS | 4442-G | 10520 | P-385101 | 1 | 51 |
| | | | | | | 11651 | K-385101 | 1 | 51 |
| | ALL TYPES | 07-12→ | 8 | TRW | 30050-G | | | | |

ROOMSTER

| | | | | | | | | | |
|--|---------------------------|--------|----|-------|----------------|-------|----------|---|------|
| | 1.2 - 1.4 | 09-06→ | 54 | ATE | 3660-G | 10885 | P-545801 | 1 | 58,5 |
| | ALL TYPES | 03-10→ | 54 | ATE | 4318-G | | | | |
| | ALL TYPES | 09-06→ | 54 | LUCAS | 4484-G | 10575 | P-545301 | 1 | 53,7 |
| | ALL TYPES (DISC 288X25MM) | 09-06→ | 10 | LUCAS | 30078-G | | | | |
| | ALL TYPES | 09-06→ | 38 | LUCAS | 4442-G | 10520 | P-385101 | 1 | 51 |
| | | | | | | 11651 | K-385101 | 1 | 51 |
| | ALL TYPES | 09-06→ | 8 | LUCAS | 30004-G | | | | |
| | ALL TYPES | 09-06→ | 19 | SACHS | 4994-G | | | | |



Master Cylinder



Front Caliper



Front Wheel Cylinder



Clutch Master Cylinder



Front Caliper Guides



Pressure Regulating Valve



Rear Caliper



Rear Wheel Cylinder



Clutch Slave Cylinder



Rear Caliper Guides

Ø
(mm.)

VERSION



SKODA

3 of 3

S100 - 105 - 110 - 120 - 130 - 136

| | | | | | | | | | |
|--|------------------------|-------------|------|-----|---------------|-------|----------|---|------|
| | 120 - 130 | | 19 | | 3462-G | | | | |
| | 120 - 130 | | 22,2 | | 3464-G | | | | |
| | 130 - 130L | 09-84→ | 34 | PAL | 4336-G | 10711 | P-342802 | 4 | 28,5 |
| | EXCEPT 130 (2 PISTONS) | 01-69→01-77 | 45 | | 4615-G | 11767 | P-443003 | | 30 |
| | EXCEPT 130 (2 PISTONS) | 01-77→ | 46 | | 3465-G | | | | |
| | ALL TYPES | | 19 | | 2595-G | | | | |
| | ALL TYPES | | 19 | | 3297-G | | | | |
| | ALL TYPES | | 22,2 | | 3298-G | | | | |

SUPERB

| | | | | | | | | | |
|--|-----------------------|-------------|------|-------|----------------|-------|------------|---|------|
| | ALL TYPES | 02-02→03-08 | 25,4 | LUCAS | 6183-G | | | | |
| | ALL TYPES | 03-08→ | 54 | ATE | 4318-G | | | | |
| | ALL TYPES (SOFT BOOT) | 01-02→ | 57 | ATE | 3391-G | 10582 | P-575501 | 1 | 55,2 |
| | ALL TYPES | 01-02→ | 57 | ATE | 4983-G | | | | |
| | ALL TYPES | 01-02→ | 24 | ATE | 4331-G | | | | |
| | ALL TYPES | 01-02→ | 38 | LUCAS | 4442-G | 10520 | P-385101 | 1 | 51 |
| | | | | | | 11651 | K-385101 | 1 | 51 |
| | 3T4 - 3T5 | 03-08→05-15 | 38 | BOSCH | 4858-G | 10631 | P-384901 | 1 | 49 |
| | | | | | | 11617 | K-384901-R | 1 | 49 |
| | | | | | | 11616 | K-384901-L | 1 | 49 |
| | ALL TYPES | 03-08→ | 41 | LUCAS | 4289-G | 10610 | P-415101 | 1 | 51 |
| | | | | | | 11696 | K-415101 | 1 | 51 |
| | ALL TYPES | 01-02→ | 8 | LUCAS | 30004-G | | | | |
| | ALL TYPES | 03-08→ | 10 | BOSCH | 30014-G | | | | |
| | ALL TYPES | 03-08→ | 10 | LUCAS | 30070-G | | | | |

YETI

| | | | | | | | | | |
|--|------------------------|--------|----|-------|----------------|-------|------------|---|------|
| | ALL TYPES | 05-09→ | 54 | ATE | 4318-G | 10890 | P-545502 | 1 | 55,5 |
| | ALL TYPES (DISC 253MM) | 05-09→ | 38 | LUCAS | 4442-G | 10520 | P-385101 | 1 | 51 |
| | | | | | | 11651 | K-385101 | 1 | 51 |
| | ALL TYPES | 05-09→ | 38 | BOSCH | 4858-G | 10631 | P-384901 | 1 | 49 |
| | | | | | | 11617 | K-384901-R | 1 | 49 |
| | | | | | | 11616 | K-384901-L | 1 | 49 |
| | ALL TYPES (DISC 282MM) | 05-09→ | 41 | LUCAS | 4289-G | 10610 | P-415101 | 1 | 51 |
| | | | | | | 11696 | K-415101 | 1 | 51 |
| | ALL TYPES | 05-09→ | 8 | LUCAS | 30004-G | | | | |
| | ALL TYPES | 05-09→ | 10 | BOSCH | 30014-G | | | | |



Master Cylinder



Front Caliper



Front Wheel Cylinder



Clutch Master Cylinder



Front Caliper Guides



Pressure Regulating Valve



Rear Caliper



Rear Wheel Cylinder



Clutch Slave Cylinder



Rear Caliper Guides



∅
(mm.)

VERSION



SMART

1 of 1

CABRIO

| | | | | | | | | | |
|--|-----------|-------------|------|-------|---------------|-------|----------|---|------|
| | 0.7 - 0.8 | 01-01→01-04 | 42 | BOSCH | 4706-G | 10769 | P-424602 | 1 | 46,9 |
| | ALL TYPES | 01-01→01-04 | 20,6 | BOSCH | 3581-G | | | | |

CITY COUPE

| | | | | | | | | | |
|--|-----------|-------------|------|-------|----------------|-------|----------|---|------|
| | 0.6 - 0.7 | 07-98→01-04 | 42 | BOSCH | 4706-G | 10769 | P-424602 | 1 | 46,9 |
| | ALL TYPES | 07-98→01-04 | 10 | LUCAS | 30017-G | | | | |
| | ALL TYPES | 07-98→01-04 | 17,5 | BOSCH | 6345-G | | | | |
| | ALL TYPES | 07-98→01-04 | 20,6 | BOSCH | 3581-G | | | | |

CROSSBLADE

| | | | | | | | | | |
|--|-----|--------|----|-------|---------------|-------|----------|---|------|
| | 0.6 | 06-02→ | 42 | BOSCH | 4706-G | 10769 | P-424602 | 1 | 46,9 |
|--|-----|--------|----|-------|---------------|-------|----------|---|------|

FORFOUR

| | | | | | | | | | |
|--|-----------------------------|--------|-----|-------|----------------|-------|----------|---|------|
| | 1.5 BRABUS | 03-05→ | 54 | LUCAS | 4481-G | 10564 | P-544901 | 1 | 49,8 |
| | ALL TYPES EXCEPT BRABUS | 01-04→ | 54 | LUCAS | 4726-G | 10915 | P-544901 | 1 | 49,8 |
| | ALL TYPES (SOLID DISC) | 01-04→ | 10 | LUCAS | 30017-G | | | | |
| | ALL TYPES (VENTILATED DISC) | 01-04→ | 10 | LUCAS | 30078-G | | | | |
| | ALL TYPES | 01-04→ | 34 | LUCAS | 6007-G | 10713 | P-344801 | 1 | 48 |
| | ALL TYPES | 01-04→ | 8,4 | LUCAS | 30046-G | 11561 | K-344801 | 1 | 48 |

FORTWO

| | | | | | | | | | |
|--|-----------|--------|----|-------|----------------|-------|----------|---|------|
| | ALL TYPES | 08-03→ | 42 | BOSCH | 4706-G | 10769 | P-424602 | 1 | 46,9 |
| | ALL TYPES | 08-03→ | 8 | BOSCH | 30045-G | | | | |

ROADSTER

| | | | | | | | | | |
|--|-----|--------|----|-------|----------------|-------|----------|---|------|
| | 0.7 | 04-03→ | 42 | BOSCH | 4706-G | 10769 | P-424602 | 1 | 46,9 |
| | 0.7 | 04-03→ | 8 | BOSCH | 30045-G | | | | |



Master Cylinder



Front Caliper



Front Wheel Cylinder



Clutch Master Cylinder



Front Caliper Guides



Pressure Regulating Valve



Rear Caliper



Rear Wheel Cylinder



Clutch Slave Cylinder



Rear Caliper Guides



∅
(mm.)

VERSION



SSANYONG

1 of 1

KORANDO

| | | | | | | | | | |
|--|-------------|--------|----|-----|---------------|-------|----------|---|------|
| | (KJ) SERIES | 12-96→ | 60 | PBR | 6326-G | 11468 | P-604905 | 1 | 49 |
| | (KJ) SERIES | 12-96→ | 40 | PBR | 6131-G | 11675 | P-404401 | 1 | 44,2 |

MUSSO

| | | | | | | | | | |
|--|-------------|--------|----|-----|---------------|-------|----------|---|------|
| | (FJ) SERIES | 10-95→ | 60 | PBR | 6326-G | 11468 | P-604905 | 1 | 49 |
| | (FJ) SERIES | 10-95→ | 40 | PBR | 6131-G | 11675 | P-404401 | 1 | 44,2 |

REXTON

| | | | | | | | | | |
|--|-------------|--------|------|-------|---------------|-------|----------|---|------|
| | ALL TYPES | 04-02→ | 25,4 | | 4906-G | | | | |
| | ALL TYPES | 04-02→ | 43 | MANDO | 3604-G | 10785 | P-434901 | 2 | 48,9 |
| | ALL TYPES | 04-02→ | 43 | MANDO | 4899-G | 10784 | P-434901 | 1 | 48,9 |
| | 2.9TD - 3.2 | 04-02→ | 15,9 | | 4941-G | | | | |



Master Cylinder



Front Caliper



Front Wheel Cylinder



Clutch Master Cylinder



Front Caliper Guides



Pressure Regulating Valve



Rear Caliper



Rear Wheel Cylinder



Clutch Slave Cylinder



Rear Caliper Guides

Ø
(mm.)

VERSION

**SUBARU**

1 of 4

E SERIES

| | | | | | | | | | |
|--|-----------|--------|----|----------------|---------------|--|--|--|--|
| | ALL TYPES | 01-85→ | 19 | NABCO - TOKICO | 3929-G | | | | |
|--|-----------|--------|----|----------------|---------------|--|--|--|--|

FORESTER

| | | | | | | | | | |
|--|-----------------------|-------------|-----|---------|----------------|-------|----------|---|------|
| | SG - SH SERIES | 06-02→03-13 | 43 | TOKICO | 3900-G | 10781 | P-434802 | 2 | 48 |
| | SF SERIES 2.0 | 03-97→09-02 | 43 | AKEBONO | 4931-G | 10782 | P-434801 | 2 | 48 |
| | SF SERIES 2.0 | 03-97→09-02 | 43 | AKEBONO | 6015-G | | | | |
| | SG SERIES | 06-02→01-08 | 43 | TOKICO | 6032-G | 11725 | P-434802 | 2 | 48 |
| | SF SERIES 2.0 | 03-97→09-02 | 9,8 | AKEBONO | 30039-G | | | | |
| | SG - SH SERIES | 06-02→03-13 | 10 | TOKICO | 30012-G | | | | |
| | (SH) 2.0 - 2.0D TURBO | 01-08→03-13 | 38 | TOKICO | 11499 | 11499 | P-385203 | 1 | 52,5 |
| | SF - SG SERIES | 03-97→01-08 | 38 | AKEBONO | 4927-G | 11625 | P-384602 | 1 | 46 |
| | SH SERIES | 01-08→03-13 | 38 | TOKICO | 6124-G | 11624 | P-385105 | 1 | 51,5 |
| | SJ SERIES 2.0 (4WD) | 03-13→ | 40 | TOKICO | 6248-G | 11691 | P-405002 | 1 | 50,5 |
| | SF - SG SERIES | 03-97→01-08 | 8,2 | AKEBONO | 30043-G | | | | |
| | SH SERIES | 01-08→03-13 | 10 | TOKICO | 30144-G | | | | |
| | SF - SG SERIES | 03-97→01-08 | 19 | NABCO | 4378-G | | | | |

IMPREZA

| | | | | | | | | | |
|--|---|-------------|-----|----------|----------------|-------|----------|---|------|
| | II SERIES 2.0 TURBO | 10-00→ | 40 | SUMITOMO | 4450-G | 10759 | P-402902 | 4 | 29,3 |
| | II SERIES | 10-00→ | 43 | TOKICO | 3900-G | 10781 | P-434802 | 2 | 48 |
| | I SERIES 2.0 | 08-92→12-00 | 43 | AKEBONO | 4931-G | 10782 | P-434801 | 2 | 48 |
| | I SERIES 2.0 | 08-92→12-00 | 43 | AKEBONO | 6015-G | | | | |
| | II SERIES STI - WRX | 10-00→ | 46 | BREMBO | 6140-G | 10999 | P-463201 | 4 | 32 |
| | I SERIES 1.8 RANCHERA FAMILIAR | 08-92→12-00 | 54 | AKEBONO | 4582-G | 10892 | P-544701 | 1 | 47,5 |
| | I SERIES 1.6 - 2.0 COUPE | 08-92→12-00 | 54 | AKEBONO | 6155-G | | | | |
| | I SERIES 1.6 - 1.8 - 2.0 SEDAN RANCHERA | | | | | | | | |
| | I SERIES | 08-92→12-00 | 57 | TOKICO | 4492-G | 11407 | P-575103 | 1 | 51,2 |
| | II SERIES 1.5 - 1.6 - 2.0 | 10-00→ | 57 | AKEBONO | 4612-G | 11422 | P-575506 | 1 | 55 |
| | I SERIES | 08-92→12-00 | 9,8 | AKEBONO | 30039-G | | | | |
| | III SERIES | 03-07→ | 10 | TOKICO | 30012-G | | | | |
| | I SERIES 1.6 - 1.8 | 08-92→12-00 | 35 | AKEBONO | 4434-G | 10716 | P-354502 | 1 | 45,8 |
| | III SERIES 2.0 - 2.0D TURBO | 03-07→ | 38 | TOKICO | 11499 | 11499 | P-385203 | 1 | 52,5 |
| | II SERIES 2.0 TURBO | 10-00→ | 38 | AKEBONO | 4307-G | 11128 | P-384602 | 1 | 46 |
| | II SERIES (4WD) | 10-00→ | 38 | AKEBONO | 4927-G | 11625 | P-384602 | 1 | 46 |
| | III SERIES | 03-07→ | 38 | TOKICO | 6124-G | 11624 | P-385105 | 1 | 51,5 |
| | II SERIES | 10-00→ | 8,2 | AKEBONO | 30043-G | | | | |
| | III SERIES | 03-07→ | 10 | TOKICO | 30144-G | | | | |
| | I SERIES 1.6 - 1.8 | 08-92→12-00 | 13 | AKEBONO | 30098-G | | | | |
| | I SERIES 2.0 - 2.0S TURBO | 08-92→12-00 | 19 | NABCO | 4378-G | | | | |

J SERIES

| | | | | | | | | | |
|--|-----------|--------|------|--|---------------|--|--|--|--|
| | 1.0 - 1.2 | 01-87→ | 20,6 | | 3505-G | | | | |
|--|-----------|--------|------|--|---------------|--|--|--|--|



Master Cylinder



Front Caliper



Front Wheel Cylinder



Clutch Master Cylinder



Front Caliper Guides



Pressure Regulating Valve



Rear Caliper



Rear Wheel Cylinder



Clutch Slave Cylinder



Rear Caliper Guides



∅
(mm.)

VERSION



SUBARU

2 of 4

JUSTY

| | | | | | | | | | |
|--|----------------------|-------------|----|--------|----------------|-------|----------|---|------|
| | I SERIES (12" WHEEL) | 11-84→10-95 | 48 | TOKICO | 3343-G | 10657 | P-484803 | 1 | 48,5 |
| | III SERIES | 09-03→01-07 | 48 | BOSCH | 4645-G | 10544 | P-484701 | 1 | 47 |
| | II SERIES | 10-95→11-03 | 48 | BOSCH | 4775-G | 10598 | P-485002 | 1 | 50,5 |
| | I SERIES | 11-84→10-95 | 51 | TOKICO | 6067-G | 10867 | P-514401 | 1 | 44,5 |
| | IV SERIES | 01-07→ | 51 | TOKICO | 6297-G | 11359 | P-514402 | 1 | 44,8 |
| | IV SERIES 1.0 | 01-07→ | 54 | TOKICO | 6308-G | 11369 | P-544904 | 1 | 49 |
| | II SERIES | 10-95→11-03 | 10 | TOKICO | 30019-G | | | | |
| | IV SERIES 1.0 | 01-07→ | 10 | TOKICO | 30129-G | | | | |

LEGACY (I SERIES) 01-89→08-94

| | | | | | | | | | |
|--|-----------------------|-------------|------|---------|----------------|-------|----------|---|------|
| | ALL TYPES | | 23,8 | NABCO | 3558-G | | | | |
| | ALL TYPES | | 25,4 | NABCO | 3260-G | | | | |
| | ALL TYPES (4WD) | 01-89→08-94 | 43 | AKEBONO | 4581-G | 10694 | P-434801 | 2 | 48 |
| | ALL TYPES (13" WHEEL) | 01-89→08-94 | 57 | AKEBONO | 4491-G | 10945 | P-574801 | 1 | 48,3 |
| | ALL TYPES (14" WHEEL) | 01-89→08-94 | 57 | TOKICO | 4492-G | 11407 | P-575103 | 1 | 51,2 |
| | ALL TYPES | 01-89→08-94 | 35 | AKEBONO | 4434-G | 10716 | P-354502 | 1 | 45,8 |
| | ALL TYPES | 01-89→08-94 | 38 | AKEBONO | 4545-G | 11626 | P-384602 | 1 | 46 |
| | ALL TYPES | 01-89→08-94 | 13 | AKEBONO | 30098-G | | | | |
| | ALL TYPES | 01-89→08-94 | 15,9 | NABCO | 3521-G | | | | |
| | ALL TYPES | 01-89→08-94 | 19 | NABCO | 4378-G | | | | |

LEGACY (II SERIES) 02-94→03-99

| | | | | | | | | | |
|--|----------------------|-------------|------|---------|----------------|-------|----------|---|------|
| | ALL TYPES | | 25,4 | NABCO | 3260-G | | | | |
| | ALL TYPES (ABS) | | 27 | NABCO | 4399-G | | | | |
| | ALL TYPES (4WD) | 02-94→03-99 | 43 | AKEBONO | 4581-G | 10694 | P-434801 | 2 | 48 |
| | OUTBACK | 01-96→12-99 | 43 | AKEBONO | 4931-G | 10782 | P-434801 | 2 | 48 |
| | OUTBACK | 01-96→12-99 | 43 | AKEBONO | 6015-G | | | | |
| | ALL TYPES (14" HEEL) | 02-94→03-99 | 57 | TOKICO | 4492-G | 11407 | P-575103 | 1 | 51,2 |
| | 2.0 - 2.0LX | 02-94→03-99 | 57 | AKEBONO | 4612-G | 11422 | P-575506 | 1 | 55 |
| | OUTBACK | 02-94→03-99 | 9,8 | AKEBONO | 30039-G | | | | |
| | ALL TYPES | 02-94→03-99 | 35 | AKEBONO | 4434-G | 10716 | P-354502 | 1 | 45,8 |
| | ALL TYPES | 02-94→03-99 | 38 | AKEBONO | 4545-G | 11626 | P-384602 | 1 | 46 |
| | ALL TYPES | 02-94→03-99 | 13 | AKEBONO | 30098-G | | | | |
| | ALL TYPES | 02-94→03-99 | 19 | NABCO | 4378-G | | | | |

LEGACY (III SERIES) 10-98→08-03

| | | | | | | | | | |
|--|-----------|-------------|-----|---------|----------------|-------|----------|---|----|
| | ALL TYPES | 10-98→08-03 | 43 | AKEBONO | 4931-G | 10782 | P-434801 | 2 | 48 |
| | ALL TYPES | 10-98→08-03 | 43 | AKEBONO | 6015-G | | | | |
| | 2.0LX | 10-98→08-03 | 57 | AKEBONO | 4612-G | 11422 | P-575506 | 1 | 55 |
| | ALL TYPES | 10-98→08-03 | 9,8 | AKEBONO | 30039-G | | | | |
| | ALL TYPES | 10-98→08-03 | 38 | AKEBONO | 4927-G | 11625 | P-384602 | 1 | 46 |
| | ALL TYPES | 08-00→08-03 | 8,2 | AKEBONO | 30043-G | | | | |
| | ALL TYPES | 10-98→07-00 | 13 | AKEBONO | 30098-G | | | | |
| | ALL TYPES | 10-98→08-03 | 19 | NABCO | 4378-G | | | | |



Master Cylinder



Front Caliper



Front Wheel Cylinder



Clutch Master Cylinder



Front Caliper Guides



Pressure Regulating Valve



Rear Caliper



Rear Wheel Cylinder



Clutch Slave Cylinder



Rear Caliper Guides

Ø
(mm.)

VERSION



SUBARU

3 of 4

LEGACY (IV SERIES) 09-03→08-09

| | | | | | | | | | |
|--|----------------------------|--------|-----|---------|----------------|-------|----------|---|------|
| | 2.0 - 2.5 | 09-03→ | 43 | TOKICO | 3900-G | 10781 | P-434802 | 2 | 48 |
| | 2.0 (121KW) - 3.0 | 09-03→ | 43 | TOKICO | 6032-G | 11725 | P-434802 | 2 | 48 |
| | ALL TYPES | 09-03→ | 10 | TOKICO | 30012-G | | | | |
| | 3.0 R 4WD | 09-03→ | 38 | AKEBONO | 4927-G | 11625 | P-384602 | 1 | 46 |
| | ALL TYPES EXCEPT 3.0 R 4WD | 09-03→ | 38 | TOKICO | 6124-G | 11631 | P-384803 | 1 | 48,8 |
| | ALL TYPES | 09-03→ | 8,2 | AKEBONO | 30043-G | | | | |
| | ALL TYPES | 09-03→ | 10 | TOKICO | 30144-G | | | | |

LEGACY (V SERIES) 09-09→

| | | | | | | | | | |
|--|-------------------------------|--------|----|--------|----------------|-------|----------|---|------|
| | ALL TYPES EXCEPT 2.5 GT | 09-09→ | 43 | TOKICO | 3900-G | 10781 | P-434802 | 2 | 48 |
| | 2.5 GT | 09-09→ | 43 | TOKICO | 6032-G | 11725 | P-434802 | 2 | 48 |
| | ALL TYPES | 09-09→ | 10 | TOKICO | 30012-G | | | | |
| | ALL TYPES EXCEPT 2.5 GT (4WD) | 09-09→ | 38 | TOKICO | 6124-G | 11631 | P-384803 | 1 | 48,8 |
| | 2.5 GT | 09-09→ | 40 | TOKICO | 6248-G | 11691 | P-405002 | 1 | 50,5 |
| | ALL TYPES | 09-09→ | 10 | TOKICO | 30144-G | | | | |

LEONE

| | | | | | | | | | |
|--|------------------------------|-------------|------|--------|---------------|-------|----------|---|------|
| | ALL TYPES | 01-76→01-79 | 19 | | 3497-G | | | | |
| | ALL TYPES | 01-80→01-85 | 20,6 | | 4124-G | | | | |
| | ALL TYPES (DISC 20,6-25,4MM) | 01-80→01-85 | 20,6 | TOKICO | 4412-G | | | | |
| | ALL TYPES | 01-72→01-73 | 23,8 | | 3715-G | | | | |
| | ALL TYPES | 01-71→ | 54 | | 3289-G | | | | |
| | ALL TYPES | 01-80→01-82 | 54 | | 3713-G | | | | |
| | ALL TYPES | 01-83→01-85 | 54 | | 3714-G | | | | |
| | 4x2 | 10-79→12-84 | 14,3 | | 4569-G | | | | |
| | I - II SERIES | 03-79→02-92 | 15,9 | | 4555-G | | | | |
| | I - II SERIES | 03-79→02-92 | 17,5 | | 4556-G | | | | |
| | II SERIES | 11-84→09-91 | 34 | TOKICO | 4694-G | 11550 | P-344705 | 1 | 47,5 |

LIBERO

| | | | | | | | | | |
|--|-----------------------|-------------|----|--------|---------------|-------|----------|---|------|
| | (E10 - E12) 1.0 - 1.2 | 01-83→01-00 | 48 | TOKICO | 3343-G | 10657 | P-484803 | 1 | 48,5 |
|--|-----------------------|-------------|----|--------|---------------|-------|----------|---|------|

L-SERIES 1300 - 1600 - 1800

| | | | | | | | | | |
|--|---------------------|-------------|------|---------|---------------|-------|----------|---|------|
| | ALL TYPES | 01-72→01-80 | 54 | AKEBONO | 4508-G | | | | |
| | ALL TYPES | 01-85→01-91 | 54 | AKEBONO | 4727-G | 11823 | P-544503 | 1 | 45 |
| | ALL TYPES | 01-85→01-91 | 54 | AKEBONO | 4728-G | | | | |
| | ALL TYPES | 01-80→01-82 | 54 | AKEBONO | 4729-G | | | | |
| | 1.4 A22 MODEL | 01-73→05-76 | 14,3 | | 4569-G | | | | |
| | ALL TYPES | 01-75→01-86 | 15,9 | | 4555-G | | | | |
| | 1.4 - 1.8 - MODEL S | 01-75→01-89 | 17,5 | | 4556-G | | | | |
| | TURBO 4WD | 11-84→12-90 | 30 | TOKICO | 4509-G | | | | |
| | ALL TYPES | 00-85→0090 | 34 | TOKICO | 4694-G | 11550 | P-344705 | 1 | 47,5 |

MINI JUMBO

| | | | | | | | | | |
|--|-----|-------------|------|--------|---------------|-------|----------|---|------|
| | DL | 01-90→ | 19 | | 3929-G | | | | |
| | DL | 01-88→01-89 | 23,8 | | 3912-G | | | | |
| | 700 | 01-85→01-89 | 48 | TOKICO | 3343-G | 10657 | P-484803 | 1 | 48,5 |
| | 800 | 01-90→ | 48 | NISSIN | 4911-G | 10825 | P-484403 | 1 | 44,5 |
| | 700 | 08-88→01-90 | | | | | P-484403 | 1 | 44,5 |



Master Cylinder



Front Caliper



Front Wheel Cylinder



Clutch Master Cylinder



Front Caliper Guides



Pressure Regulating Valve



Rear Caliper



Rear Wheel Cylinder



Clutch Slave Cylinder



Rear Caliper Guides



∅
(mm.)

VERSION



SUBARU

4 of 4

OUTBACK

| | | | | | | | | | |
|--|-----------------|-------------|-----|---------|----------------|-------|----------|---|------|
| | 2.5 | 05-09→ | 43 | TOKICO | 3900-G | 10781 | P-434802 | 2 | 48 |
| | 2.5 - 3.0 | 01-00→08-03 | 43 | AKEBONO | 4931-G | 10782 | P-434801 | 2 | 48 |
| | 3.6 | 05-09→ | 43 | TOKICO | 6032-G | 11725 | P-434802 | 2 | 48 |
| | ALL TYPES | 01-00→08-03 | 9,8 | AKEBONO | 30039-G | | | | |
| | ALL TYPES | 05-09→ | 10 | TOKICO | 30012-G | | | | |
| | 2.5 - 3.0 (4WD) | 01-00→08-03 | 38 | AKEBONO | 4927-G | 11625 | P-384602 | 1 | 46 |
| | ALL TYPES | 09-03→ | 38 | TOKICO | 6124-G | 11631 | P-384803 | 1 | 48,8 |
| | 3.6R | 09-09→ | 40 | TOKICO | 6248-G | 11691 | P-405002 | 1 | 50,5 |
| | 2.5 - 3.0 (4WD) | 01-00→08-03 | 8,2 | AKEBONO | 30043-G | | | | |

TREZIA

| | | | | | | | | | |
|--|-----------|--------|----|--------|----------------|-------|----------|---|------|
| | ALL TYPES | 03-11→ | 60 | ADVICS | 6320-G | 11455 | P-604902 | 1 | 49 |
| | ALL TYPES | 03-11→ | 38 | TOKICO | 6236-G | 11141 | P-384601 | 1 | 46,8 |
| | | | | | | 11650 | K-384601 | 1 | 46,8 |
| | ALL TYPES | 03-11→ | 10 | TOKICO | 30082-G | | | | |

TRIBECA

| | | | | | | | | | |
|--|-----------|--------|----|--------|---------------|-------|----------|---|----|
| | ALL TYPES | 01-05→ | 43 | TOKICO | 6032-G | 11725 | P-434802 | 2 | 48 |
| | ALL TYPES | 01-05→ | 40 | | 6250-G | | | | |

XV

| | | | | | | | | | |
|--|-----------|--------|----|--------|---------------|-------|----------|---|------|
| | ALL TYPES | 03-12→ | 43 | TOKICO | 3900-G | 10781 | P-434802 | 2 | 48 |
| | ALL TYPES | 03-12→ | 38 | TOKICO | 6124-G | 11631 | P-384803 | 1 | 48,8 |



Master Cylinder



Front Caliper



Front Wheel Cylinder



Clutch Master Cylinder



Front Caliper Guides



Pressure Regulating Valve



Rear Caliper



Rear Wheel Cylinder



Clutch Slave Cylinder



Rear Caliper Guides

Ø
(mm.)

VERSION



SUZUKI

1 of 4

ALTO

| | | | | | | | | | |
|--|-------------------------------|-------------|------|--------|----------------|-------|----------|---|------|
| | ALL TYPES | 01-85→ | 19 | | 4110-G | | | | |
| | ALL TYPES | 01-85→ | 23,8 | | 3912-G | | | | |
| | I SERIES | 06-82→12-85 | 51 | TOKICO | 3337-G | 10624 | P-514401 | 1 | 44,5 |
| | I - II - III SERIES 0.8 - 1.0 | 06-82→06-02 | | LUCAS | | | P-514401 | 1 | 44,5 |
| | IV SERIES | 06-02→ | 51 | TOKICO | 6067-G | 11815 | P-514402 | 1 | 44,8 |
| | IV SERIES | 01-09→ | 8 | TOKICO | 30044-G | | | | |
| | III SERIES | 09-94→ | 10 | TOKICO | 30019-G | | | | |
| | I - II SERIES | 06-82→09-94 | 10 | TOKICO | 30071-G | | | | |

BALENO

| | | | | | | | | | |
|--|-------------------------|-------------|------|--------|----------------|-------|----------|---|------|
| | 1.3i 16V - 1.6i 16V 4x4 | 07-95→05-02 | 22,2 | AISIN | 3991-G | | | | |
| | ALL TYPES | 07-95→05-02 | 54 | AISIN | 4629-G | 10909 | P-544501 | 1 | 45 |
| | ALL TYPES | 07-95→05-02 | 54 | TOKICO | 4630-G | 10910 | P-544904 | 1 | 49 |
| | ALL TYPES | 07-95→05-02 | 10 | AISIN | 30068-G | | | | |
| | ALL TYPES | 07-95→05-02 | 30 | NABCO | 3825-G | 10600 | P-304501 | 1 | 45,5 |
| | | | | | | 11519 | K-304501 | 1 | 45,5 |

CARRY

| | | | | | | | | | |
|--|-------------|--------|------|----------|----------------|--|--|--|--|
| | ALL TYPES | 01-85→ | 19 | | 3708-G | | | | |
| | ALL TYPES | 01-85→ | 20,6 | | 3505-G | | | | |
| | SUPER CARRY | 01-85→ | 25,4 | | 4219-G | | | | |
| | ALL TYPES | 01-85→ | 51 | TOKICO | 3337-G | | | | |
| | ALL TYPES | 01-85→ | 51 | AISIN | 3709-G | | | | |
| | ALL TYPES | 03-99→ | 8 | SUMITOMO | 30044-G | | | | |
| | ALL TYPES | 01-85→ | 10 | TOKICO | 30071-G | | | | |
| | ALL TYPES | | 15,9 | | 3334-G | | | | |

FRONTE

| | | | | | | | | | |
|--|-----------|--|----|--------|---------------|--|--|--|--|
| | ALL TYPES | | 51 | TOKICO | 3337-G | | | | |
|--|-----------|--|----|--------|---------------|--|--|--|--|

IGNIS

| | | | | | | | | | |
|--|---------------------|-------------|----|-----------|----------------|-------|----------|---|------|
| | II SERIES | 09-03→ | 48 | BOSCH | 4645-G | 10544 | P-484701 | 1 | 47 |
| | I SERIES 1.3 | 10-00→09-03 | 51 | TOKICO | 6067-G | 11815 | P-514402 | 1 | 44,8 |
| | I SERIES 1.3 | 10-00→09-03 | 8 | TOKICO | 30044-G | | | | |
| | II SERIES | 09-03→ | 10 | BOSCH | 30015-G | | | | |
| | II SERIES 1.5 SPORT | 09-03→ | 34 | TOKICO | 3539-G | 10515 | P-334601 | 1 | 46,8 |
| | | | | | | 11566 | K-334601 | 1 | 46,8 |
| | I SERIES | 10-00→09-03 | 10 | NISSHINBO | 30013-G | | | | |

JIMNY

| | | | | | | | | | |
|--|-------------------------|--------|------|-------|----------------|-------|----------|---|----|
| | 1.3 16V - 1.3 16V (4WD) | 09-98→ | 22,2 | AISIN | 3991-G | | | | |
| | ALL TYPES | 09-98→ | 51 | AISIN | 4723-G | 10861 | P-514201 | 1 | 42 |
| | ALL TYPES | 09-98→ | 10 | AISIN | 30068-G | | | | |

LIANA

| | | | | | | | | | |
|--|-----------|--------|----|--------|----------------|-------|----------|---|----|
| | 1.3 - 1.6 | 07-01→ | 54 | NISSIN | 4502-G | 10886 | P-544601 | 1 | 46 |
| | ALL TYPES | 07-01→ | 10 | NISSIN | 30069-G | | | | |



Master Cylinder



Front Caliper



Front Wheel Cylinder



Clutch Master Cylinder



Front Caliper Guides



Pressure Regulating Valve



Rear Caliper



Rear Wheel Cylinder



Clutch Slave Cylinder



Rear Caliper Guides



∅
(mm.)

VERSION



SUZUKI

2 of 4

LJ50-80

| | | | | | |
|--|---------------------------|-------------|------|-------|---------------|
| | ALL TYPES (4x4 DRUM-DRUM) | 01-77→01-81 | 19 | NABCO | 4365-G |
| | ALL TYPES | 01-77→01-81 | 25,4 | | 4219-G |
| | ALL TYPES | 01-77→01-81 | 22,2 | | 4209-G |

PICK-UP (ST80 - ST90)

| | | | | | |
|--|------|-------------|------|--|---------------|
| | ST80 | 01-78→01-80 | 17,5 | | 3997-G |
| | ST90 | 01-81→01-84 | 25,4 | | 4219-G |
| | ST90 | 01-81→01-84 | 20,6 | | 4210-G |
| | ST90 | 01-81→01-84 | 22,2 | | 4209-G |

SJ410 - SJ413 - SAMURAI

| | | | | | |
|--|---------------------------------|-------------|------|-------------|-----------------------------------|
| | SJ 410 (SPAIN) | 01-85→10-88 | 19 | LUCAS | 3144-G |
| | SJ 410 (4x4 DRUM-DRUM) | 09-79→12-84 | 19 | NABCO | 4365-G |
| | SJ 413 - SAMURAI (SPAIN) | 09-84→12-04 | 22,2 | LUCAS | 3405-G |
| | SJ413 (TYPE 2 - 3) | 09-84→ | 22,2 | | 3710-G |
| | SJ413 1.3 | 09-84→08-90 | 22,2 | AISIN | 3991-G |
| | SAMURAI (SJ) 1.3 | 11-88→12-04 | 22,2 | LUCAS | 4929-G |
| | SJ410 SJ413 | 09-79→08-90 | | | |
| | SJ 410 | 09-89→12-82 | 25,4 | | 4219-G |
| | MADE IN SPAIN | 01-85→ | 48 | LUCAS | 3077-G 11799 P-484802 1 48 |
| | SAMURAI 1.0 - 1.3 MADE IN SPAIN | 01-88→ | 48 | ATE - LUCAS | 3490-G 11326 P-484806 1 48 |
| | SAMURAI 1.0 - 1.3 MADE IN SPAIN | 01-88→ | 48 | ATE - LUCAS | 6285-G |
| | SJ 410 - 413 | 09-79→12-88 | 51 | AISIN | 3709-G 10860 P-514201 1 42 |
| | SAMURAI | 01-88→ | 10 | AISIN | 30068-G |
| | SJ410 - 413 - SAMURAI (SPAIN) | 01-83→ | 22,2 | LUCAS | 3063-G |
| | SJ 410-413 - SAMURAI | 01-83→ | 22,2 | | 4239-G |

SPLASH

| | | | | | |
|--|-----------|--------|-----|-------|-------------------------------------|
| | ALL TYPES | 01-08→ | 54 | LUCAS | 3649-G 10571 P-545301 1 53,7 |
| | ALL TYPES | 01-08→ | 8,4 | LUCAS | 30046-G |



Master Cylinder



Front Caliper



Front Wheel Cylinder



Clutch Master Cylinder



Front Caliper Guides



Pressure Regulating Valve



Rear Caliper



Rear Wheel Cylinder



Clutch Slave Cylinder



Rear Caliper Guides

Ø
(mm.)

VERSION



SUZUKI

3 of 4

SWIFT

| | | | | | | | | | |
|--|----------------------|-------------|------|--------|----------------|-------|----------|---|------|
| | I SERIES | 10-83→12-89 | 17,5 | | 3561-G | | | | |
| | I SERIES | 10-83→12-89 | 19 | | 3989-G | | | | |
| | II SERIES | 03-89→12-05 | 20,6 | | 3711-G | | | | |
| | I SERIES | 10-83→12-89 | 48 | TOKICO | 4467-G | 10656 | P-484803 | 1 | 48,5 |
| | I SERIES (DISC 15MM) | 10-83→12-89 | 48 | AISIN | 4547-G | 10654 | P-484803 | 1 | 48,5 |
| | II SERIES 1.3GTI | 03-89→12-05 | | | | 11810 | P-484201 | 1 | 42 |
| | II SERIES 1.0 - 1.3 | 03-89→12-05 | 48 | BOSCH | 4775-G | 10598 | P-485002 | 1 | 50,5 |
| | I SERIES GTI | 10-83→12-89 | 51 | TOKICO | 3337-G | 10624 | P-514401 | 1 | 44,5 |
| | I SERIES | 10-83→12-89 | 51 | AISIN | 3709-G | 10860 | P-514201 | 1 | 42 |
| | II SERIES | 03-89→05-01 | 51 | TOKICO | 6067-G | 10867 | P-514401 | 1 | 44,5 |
| | III SERIES 1.5 | 02-05→ | 54 | LUCAS | 3649-G | 10571 | P-545301 | 1 | 53,7 |
| | III SERIES | 02-05→ | 8,4 | LUCAS | 30046-G | | | | |
| | II SERIES | 03-89→12-05 | 10 | TOKICO | 30019-G | | | | |
| | II SERIES | 03-89→12-05 | 10 | AISIN | 30068-G | | | | |
| | II SERIES 1.0 - 1.3 | 03-89→12-05 | 12 | BOSCH | 30092-G | | | | |
| | II SERIES | 03-89→12-05 | 15,9 | | 3562-G | | | | |
| | I SERIES | 10-83→12-89 | 17,5 | | 4207-G | | | | |
| | II SERIES 1.6 | 03-89→12-05 | 19 | LUCAS | 3235-G | | | | |
| | II SERIES 1.3 GTI | 03-89→12-05 | 30 | TOKICO | 3543-G | 11522 | P-304504 | 1 | 45 |
| | | | | | | 11523 | K-304504 | 1 | 45 |
| | II SERIES 1.3 GTI | 03-89→12-05 | 30 | TOKICO | 4979-G | | | | |
| | II SERIES 1.6 | 03-89→12-05 | 15,9 | | 3981-G | | | | |

SX4

| | | | | | | | | | |
|--|---------------------|--------|-----|--------|----------------|-------|----------|---|------|
| | ALL TYPES (JAPAN) | 10-05→ | 57 | NISSAN | 4305-G | 10943 | P-575103 | 1 | 51,2 |
| | ALL TYPES (HUNGARY) | 10-05→ | 57 | LUCAS | 6063-G | 10938 | P-575401 | 1 | 54,8 |
| | ALL TYPES | 10-05→ | 8,4 | LUCAS | 30046-G | | | | |
| | ALL TYPES | 10-05→ | 34 | LUCAS | 3549-G | 10644 | P-344702 | 1 | 47,2 |
| | | | | | | 11559 | K-344702 | 1 | 47,2 |

VITARA - GRAND VITARA

| | | | | | | | | | |
|--|------------------------------------|-------------|------|----------|----------------|-------|----------|---|------|
| | (ET - TA) SERIES | 07-88→12-98 | 20,6 | | 3711-G | | | | |
| | (ET - TA) SERIES | 07-88→12-98 | 22,2 | AISIN | 3991-G | | | | |
| | (ET - TA) SERIES | 07-88→12-98 | 23,8 | AISIN | 3564-G | | | | |
| | GRAND VITARA (JT) | 04-05→02-15 | 23,8 | AISIN | 4902-G | | | | |
| | (ET - TA) SERIES (2DOORS) | 07-88→12-98 | 48 | LUCAS | 3267-G | 10537 | P-485302 | 1 | 53,6 |
| | (ET - TA) SERIES 1.6i 16V | 07-90→03-98 | 48 | TOKICO | 3343-G | 10657 | P-484803 | 1 | 48,5 |
| | (ET - TA) SERIES (4WD) | 07-88→12-98 | 48 | GIRLING | 3490-G | 11326 | P-484806 | 1 | 48 |
| | GRAND VITARA (FT - GT) 1.6 (4WD) | 03-98→09-05 | 54 | TOKICO | 3565-G | 10628 | P-544904 | 1 | 49 |
| | (ET - TA) SERIES 1.6i 16V (4WD) | 07-88→12-98 | | | | | P-544904 | 1 | 49 |
| | GRAND VITARA (FT) | 03-98→09-05 | 57 | SUMITOMO | 4638-G | 11418 | P-574602 | 1 | 46 |
| | GRAND VITARA (JT) 19DDIS - 2.0 4x4 | 04-05→02-15 | 60,5 | ADVICS | 4967-G | 11470 | P-605105 | 1 | 51 |
| | GRAND VITARA (FT - GT) 2.7xL7 | 03-98→09-05 | | | | 11450 | P-605001 | 1 | 50 |
| | GRAND VITARA (FT) | 03-98→09-05 | 8 | TOKICO | 30047-G | | | | |
| | GRAND VITARA (JT) (-ABS) | 04-05→02-15 | 10 | ADVICS | 30064-G | | | | |
| | (ET - TA) SERIES | 07-88→12-98 | 22,2 | LUCAS | 3063-G | | | | |
| | (ET - TA) SERIES 1.6 (4WD) | 07-88→12-98 | 23,8 | NISSIN | 4965-G | | | | |



Master Cylinder



Front Caliper



Front Wheel Cylinder



Clutch Master Cylinder



Front Caliper Guides



Pressure Regulating Valve



Rear Caliper



Rear Wheel Cylinder



Clutch Slave Cylinder



Rear Caliper Guides



∅
(mm.)





VERSION



SUZUKI

4 of 4

WAGON

| | | | | | | | | | |
|--|-------------------------|-------------|----|-------|----------------|-------|----------|---|------|
|  | R+ (MM) 1.3 (HARD BOOT) | 05-00→ | 48 | BOSCH | 4667-G | 10552 | P-485002 | 1 | 50,5 |
|  | R+ (EM) | 10-97→05-00 | 51 | AISIN | 4635-G | 10872 | P-514201 | 1 | 42 |
|  | R+ (MM) 1.3 | 05-00→ | 8 | BOSCH | 30045-G | | | | |
|  | R+ (EM) | 10-97→05-00 | 14 | AISIN | 30102-G | | | | |



Master Cylinder



Front Caliper



Front Wheel Cylinder



Clutch Master Cylinder



Front Caliper Guides



Pressure Regulating Valve



Rear Caliper



Rear Wheel Cylinder



Clutch Slave Cylinder



Rear Caliper Guides

Ø
(mm.)

VERSION

**TALBOT**

1 of 2

1510

| | | | | | | | | | |
|--|-----------|--------|------|----------------|---------------|-------|----------|---|----|
| | ALL TYPES | 01-80→ | 54 | ATE | 3073-G | | | | |
| | ALL TYPES | 01-80→ | 54 | BEDNIX - BOSCH | 6091-G | 10919 | P-544702 | 1 | 47 |
| | ALL TYPES | 01-80→ | 12,5 | LUCAS | 4593-G | | | | |

160 - 180 - 2L

| | | | | | | | | | |
|--|-----------|-------------|------|--|---------------|--|--|--|--|
| | ALL TYPES | | 22 | | 6142-G | | | | |
| | ALL TYPES | 01-73→12-82 | 28,6 | | 3024-G | | | | |

DODGE DART

| | | | | | | | | | |
|--|-----------|-------------|----|----------------|---------------|--|--|--|--|
| | ALL TYPES | 01-65→01-70 | 40 | BEDNIX - BOSCH | 6179-G | | | | |
|--|-----------|-------------|----|----------------|---------------|--|--|--|--|

HORIZON

| | | | | | | | | | |
|--|-------------------|-------------|------|----------------|---------------|-------|----------|---|----|
| | ALL TYPES | 01-78→01-83 | 20,6 | BEDNIX - BOSCH | 3052-G | | | | |
| | ALL TYPES | 01-83→ | 20,6 | BEDNIX - BOSCH | 3127-G | | | | |
| | ALL TYPES | 01-83→01-86 | 20,6 | ATE | 3243-G | | | | |
| | ALL TYPES | 09-78→08-90 | 48 | BEDNIX - BOSCH | 2643-G | 11807 | P-482903 | 2 | 29 |
| | | 02-78→06-86 | | LUCAS | | 10615 | P-482901 | 2 | 29 |
| | ALL TYPES | 02-78→06-88 | 48 | ATE | 3356-G | 10821 | P-483001 | 2 | 30 |
| | ALL TYPES | 09-77→ | 48 | GIRLING | 3677-G | 10658 | P-482901 | 2 | 29 |
| | ALL TYPES | | 20,6 | BEDNIX - BOSCH | 2674-G | | | | |
| | ALL TYPES | | 20,6 | LUCAS | 4250-G | | | | |
| | ALL TYPES | 01-78→ | 19 | LUCAS | 3030-G | | | | |
| | ALL TYPES (SPAIN) | 01-80→ | 19 | BEDNIX - BOSCH | 4424-G | | | | |
| | ALL TYPES | | 25,4 | BEDNIX - BOSCH | 3023-G | | | | |
| | ALL TYPES | | 25,4 | LUCAS | 4658-G | | | | |
| | ALL TYPES | | 12,5 | LUCAS | 4593-G | | | | |

MATRA

| | | | | | | | | | |
|--|-----------|-------------|----|----------------|---------------|-------|----------|---|------|
| | BAGHEERA | 01-74→09-80 | 48 | ATE | 3356-G | 10821 | P-483001 | 2 | 30 |
| | ALL TYPES | 01-78→00-81 | 48 | GIRLING | 3677-G | 10658 | P-482901 | 2 | 29 |
| | ALL TYPES | 01-74→01-80 | 45 | BEDNIX - BOSCH | 4896-G | 11775 | P-454503 | 1 | 45,5 |

MURENA

| | | | | | | | | | |
|--|-----------|-------------|----|----------------|---------------|-------|----------|---|------|
| | ALL TYPES | 01-81→01-85 | 45 | BEDNIX - BOSCH | 4896-G | 11775 | P-454503 | 1 | 45,5 |
|--|-----------|-------------|----|----------------|---------------|-------|----------|---|------|

RANCHO

| | | | | | | | | | |
|--|-----------|-------------|----|---------|---------------|-------|----------|---|----|
| | 1.4 | 01-77→07-84 | 48 | ATE | 3356-G | 10821 | P-483001 | 2 | 30 |
| | ALL TYPES | 01-77→07-84 | 48 | GIRLING | 3677-G | 10658 | P-482901 | 2 | 29 |

SAMBA

| | | | | | | | | | |
|--|-----------|--|------|----------------|---------------|-------|----------|---|----|
| | ALL TYPES | | 19 | LUCAS | 3011-G | | | | |
| | ALL TYPES | | 19 | BEDNIX - BOSCH | 3078-G | | | | |
| | ALL TYPES | | 48 | BEDNIX - BOSCH | 3038-G | 10835 | P-484402 | 1 | 44 |
| | ALL TYPES | | 48 | ATE | 3079-G | | | | |
| | ALL TYPES | | 22,2 | BEDNIX - BOSCH | 2670-G | | | | |
| | ALL TYPES | | 22,2 | LUCAS | 3080-G | | | | |



Master Cylinder



Front Caliper



Front Wheel Cylinder



Clutch Master Cylinder



Front Caliper Guides



Pressure Regulating Valve



Rear Caliper



Rear Wheel Cylinder



Clutch Slave Cylinder



Rear Caliper Guides



∅
(mm.)

VERSION



TALBOT

2 of 2

SIMCA 1200 - 1100

| | | | | | | | | | |
|--|-----------|-------------|------|----------------|---------------|-------|----------|---|----|
| | ALL TYPES | 01-70→01-76 | 19 | LUCAS | 2791-G | | | | |
| | 1100 | 10-68→01-80 | 48 | ATE | 3356-G | 10821 | P-483001 | 2 | 30 |
| | 1100Ti | 09-78→01-80 | 48 | GIRLING | 3677-G | 10658 | P-482901 | 2 | 29 |
| | ALL TYPES | | 19 | LUCAS | 2640-G | | | | |
| | ALL TYPES | | 19 | LUCAS | 2740-G | | | | |
| | ALL TYPES | | 19 | BEDNIX - BOSCH | 4424-G | | | | |
| | ALL TYPES | | 25,4 | LUCAS | 2738-G | | | | |
| | ALL TYPES | | 12,5 | LUCAS | 4593-G | | | | |

SIMCA 900 - 1000

| | | | | | | | | | |
|--|---------------------------|-------------|------|----------------|---------------|-------|----------|---|------|
| | I SERIES (SIMPLE CIRCUIT) | | 22,2 | BEDNIX - BOSCH | 2543-G | | | | |
| | 1100GL - GLS - RALLYE | 01-67→01-78 | 44 | ATE | 4258-G | 11759 | P-442901 | 2 | 29,5 |
| | 1000GL - GLS - RALLYE | 08-70→01-78 | | | | | P-442901 | 2 | 29,5 |
| | 1000 RALLYE | 09-72→01-79 | 48 | ATE | 3356-G | 10821 | P-483001 | 2 | 30 |
| | I SERIES | | 25,4 | | 2780-G | | | | |

SOLARA

| | | | | | | | | | |
|--|-----------|--------|----|----------------|---------------|-------|----------|---|----|
| | ALL TYPES | 01-80→ | 54 | ATE | 3073-G | | | | |
| | ALL TYPES | 01-80→ | 54 | BEDNIX - BOSCH | 6091-G | 10919 | P-544702 | 1 | 47 |

TAGORA

| | | | | | | | | | |
|--|-----------|-------------|----|-----|---------------|-------|----------|---|----|
| | ALL TYPES | 09-81→01-83 | 54 | ATE | 3647-G | 11826 | P-545304 | 1 | 53 |
|--|-----------|-------------|----|-----|---------------|-------|----------|---|----|

TALBOT 150

| | | | | | | | | | |
|--|-----------|--|------|----------------|---------------|--|--|--|--|
| | ALL TYPES | | 19 | LUCAS | 3030-G | | | | |
| | ALL TYPES | | 19 | BEDNIX - BOSCH | 4424-G | | | | |
| | ALL TYPES | | 25,4 | LUCAS | 4658-G | | | | |
| | ALL TYPES | | 12,5 | LUCAS | 4593-G | | | | |



Master Cylinder



Front Caliper



Front Wheel Cylinder



Clutch Master Cylinder



Front Caliper Guides



Pressure Regulating Valve



Rear Caliper



Rear Wheel Cylinder



Clutch Slave Cylinder



Rear Caliper Guides



∅
(mm.)

VERSION



TATA

1 of 1

SAFARI

| | | | | |
|--|-----|------|----------------|--------|
| | 250 | 23,8 | | 4834-G |
| | 250 | 20,6 | BEDNIX - BOSCH | 4839-G |
| | 250 | 23,8 | BEDNIX - BOSCH | 4840-G |



Master Cylinder



Front Caliper



Front Wheel Cylinder



Clutch Master Cylinder



Front Caliper Guides



Pressure Regulating Valve



Rear Caliper



Rear Wheel Cylinder



Clutch Slave Cylinder



Rear Caliper Guides

Ø
(mm.)

VERSION



TOYOTA

1 of 21

1000 SEDAN

| | | | | | | | | |
|--|------------------------|-------------|----|---------|----------------|--|--|--|
| | ALL TYPES | | 48 | | 4610-G | | | |
| | ALL TYPES | | 51 | AKEBONO | 3847-G | | | |
| | ALL TYPES (FRONT DRUM) | 01-76→01-78 | 19 | | 10236-G | | | |

4-RUNNER

| | | | | | | | | |
|--|--|-------------|------|----------|---------------|-------|----------|--------|
| | (N5 - N6 - N7) SERIES | 07-84→10-89 | 20,6 | | 3743-G | | | |
| | (N10 - N13) SERIES | 08-87→03-96 | 23,8 | | 3754-G | | | |
| | (N5 - N6 - N7) SERIES 2.4 (4WD) | 07-84→10-89 | | | | | | |
| | (N5 - N6 - N7) SERIES | 07-84→10-89 | 34 | SUMITOMO | 3827-G | 10674 | P-432801 | 2 28,6 |
| | | | | | | | P-342801 | 2 28,6 |
| | (N10 - N13) SERIES 3.0TD - 3.0V6 | 08-87→03-96 | 43 | SUMITOMO | 3838-G | 10612 | P-422801 | 4 28,5 |
| | (N21) SERIES | 11-02→07-09 | 45 | SUMITOMO | 4463-G | 10803 | P-453102 | 4 31,5 |
| | (N10 - N13 - N18) SERIES 3.0TD - 3.0V6 | 08-87→11-02 | | | | 10807 | P-452901 | 4 29 |
| | (N18) 2.7 3.4 (4WD) | 11-95→11-02 | 45 | SUMITOMO | 6004-G | 10812 | P-453102 | 4 31,5 |
| | (N5 - N6 - N7) SERIES | 07-84→10-89 | 22,2 | | 3795-G | | | |
| | (N10. N13 - N18) 3.0TD - 3.0V6 | 08-87→10-02 | 23,8 | AISIN | 4584-G | | | |
| | (N21) SERIES | 11-02→07-09 | 45 | SUMITOMO | 6105-G | 11773 | P-454903 | 1 49 |
| | (N5 - N6 - N7) SERIES | 07-84→10-89 | 15,9 | | 3738-G | | | |
| | (N10 - N13) SERIES | 08-87→03-96 | 15,9 | | 3759-G | | | |
| | (N10 - N13) SERIES | 08-87→01-94 | 19 | | 3575-G | | | |
| | (N10 - N13) SERIES | 01-94→03-96 | 19 | | 4541-G | | | |
| | (N5 - N6 - N7) SERIES | 07-84→10-89 | 20,6 | | 10243 | | | |
| | (N10 - N13) SERIES | 08-87→03-96 | | | | | | |

AURIS

| | | | | | | | | |
|--|---------------------------|-------------|----|---------|----------------|-------|------------|--------|
| | ALL TYPES | 10-06→ | 57 | BOSCH | 4643-G | 10949 | P-575304 | 1 53,6 |
| | ALL TYPES (JAPAN) | 10-06→ | 60 | ADVICS | 6320-G | 11455 | P-604902 | 1 49 |
| | 1.8 HYBRID | 09-10→09-12 | 63 | AISIN | 6175-G | 11479 | P-634901 | 1 49 |
| | ALL TYPES | 10-06→ | 10 | BOSCH | 30014-G | | | |
| | ALL TYPES | 10-12→ | 11 | AKEBONO | 30164-G | | | |
| | ALL TYPES | 01-07→ | 36 | BOSCH | 6083-G | | | |
| | ALL TYPES MADE IN ENGLAND | 01-07→ | 36 | BOSCH | 6184-G | 11596 | P-364901 | 1 49 |
| | | | | | | 11614 | K-364901-R | 1 49 |
| | | | | | | 11613 | K-364901-L | 1 49 |
| | ALL TYPES (JAPAN) | 10-07→ | 38 | TOKICO | 6236-G | 11141 | P-384601 | 1 46,8 |
| | | | | | | 11650 | K-384601 | 1 46,8 |
| | ALL TYPES | 01-07→ | 10 | BOSCH | 30014-G | | | |
| | ALL TYPES (JAPAN) | 10-07→ | 10 | TOKICO | 30082-G | | | |

AVALON

| | | | | | | | | |
|--|-----------------|-------------|----|---------|----------------|-------|----------|--------|
| | ALL TYPES | 04-00→03-03 | 10 | AKEBONO | 30159-G | | | |
| | ALL TYPES (USA) | 03-95→05-05 | 36 | | 6233-G | | | |
| | 3.5L | 01-05→ | 38 | | 11840 | 11840 | P-384401 | 1 44,5 |



Master Cylinder



Front Caliper



Front Wheel Cylinder



Clutch Master Cylinder



Front Caliper Guides



Pressure Regulating Valve



Rear Caliper



Rear Wheel Cylinder



Clutch Slave Cylinder



Rear Caliper Guides



∅
(mm.)

VERSION



TOYOTA

2 of 21

AVENSIS

| | | | | | | | | | |
|--|------------------------------------|-------------|------|----------|----------------|-------|------------|---|-------|
| | (T22) SERIES | 09-97→02-03 | 23,8 | ATE | 4903-G | | | | |
| | (T22) SERIES | 09-97→02-03 | 40 | AISIN | 4631-G | 10761 | P-404902 | 2 | 49,8 |
| | (T22) SERIES (SOFT CALIPER BOOT) | 09-97→10-00 | 57 | ATE | 3391-G | 10582 | P-575501 | 1 | 55,2 |
| | (T25) SERIES | 04-03→11-08 | 57 | BOSCH | 4643-G | 10950 | P-575202 | 1 | 52,5 |
| | (T22) SERIES (HARD BOOT) | 10-00→04-03 | 57 | ATE | 4768-G | 10589 | P-575504 | 1 | 55,4 |
| | (T22) SERIES | 09-97→10-00 | 57 | ATE | 4983-G | | | | |
| | VERSO 2.0 | 08-01→11-09 | 64 | AKEBONO | 4759-G | 11483 | P-634801 | 1 | 48 |
| | (T25) SERIES | 04-03→11-08 | 10 | BOSCH | 30014-G | | | | |
| | (T22) SERIES | 08-97→04-03 | 10 | SUMITOMO | 30021-G | | | | |
| | VERSO 2.0 | 04-03→ | 10 | AKEBONO | 30056-G | | | | |
| | VERSO 2.0 | 08-01→04-03 | 10 | AKEBONO | 30160-G | | | | |
| | (T22) SERIES | 09-07→02-03 | 20,6 | LUCAS | 4250-G | | | | |
| | (T22) SERIES | 10-00→04-03 | 38 | LUCAS | 4442-G | 10520 | P-385101 | 1 | 51 |
| | | | | | | 11651 | K-385101 | 1 | 51 |
| | (T22) SERIES | 01-00→07-01 | 38 | AISIN | 4544-G | 11136 | P-384501 | 1 | 45 |
| | (T25) SERIES | 04-03→11-08 | 38 | BOSCH | 4859-G | 10747 | P-384802 | 1 | 48,5 |
| | (T27) SERIES (ELECTRIC HANDBRAKE)) | 11-08→ | 38 | BOSCH | 6134-G | 11630 | P-385002 | 1 | 50,35 |
| | (T27) SERIES | | | | | 11658 | K-385002-R | 1 | 50,35 |
| | | | | | | 11657 | K-385002-L | 1 | 50,35 |
| | VERSO 2.0 | 08-01→11-09 | 43 | TOYOTA | 4562-G | 10788 | P-434502 | 1 | 45 |
| | (T22) SERIES | 10-00→04-03 | 8 | LUCAS | 30004-G | | | | |
| | VERSO 2.0 | 08-01→11-09 | 9 | TOYOTA | 30051-G | | | | |
| | (T25) SERIES | 04-03→11-08 | 10 | BOSCH | 30057-G | | | | |
| | (T22) SERIES | 01-00→07-01 | 13 | AISIN | 30165-G | | | | |
| | (T22) SERIES | 09-97→02-03 | 15,9 | | 4142-G | | | | |
| | (T22) SERIES 2.0TD | 08-97→04-03 | 20,6 | | 10243 | | | | |
| | (T22) SERIES 1.6 | 09-97→02-03 | 20,6 | | 4166-G | | | | |
| | VERSO 2.0D-4D | 08-01→11-09 | 20,6 | | 4540-G | | | | |
| | (T25) SERIES 2.0D - 4D | 04-03→11-08 | | | | | | | |

AYGO

| | | | | | | | | | |
|--|--------------|--------|------|-------|----------------|-------|----------|---|------|
| | 1.0 - 1.4HDI | 07-05→ | 20,6 | BOSCH | 4928-G | | | | |
| | 1.0 - 1.4HDI | 07-05→ | 48 | BOSCH | 4645-G | 10841 | P-485203 | 1 | 52,5 |
| | 1.0 - 1.4HDI | 07-05→ | 10 | BOSCH | 30015-G | | | | |
| | 1.0 - 1.4HDI | 07-05→ | 17,5 | BOSCH | 4909-G | | | | |



Master Cylinder



Front Caliper



Front Wheel Cylinder



Clutch Master Cylinder



Front Caliper Guides



Pressure Regulating Valve



Rear Caliper



Rear Wheel Cylinder



Clutch Slave Cylinder



Rear Caliper Guides



Ø
(mm.)

VERSION



TOYOTA

3 of 21

CAMRY

| | | | | | | | | | |
|--|--|-------------|------|------------------|----------------|-------|----------|---|------|
| | I SERIES | 10-82→10-86 | 22,2 | | 3885-G | | | | |
| | II SERIES | 10-86→11-92 | 23,8 | | 3748-G | | | | |
| | II SERIES | 10-86→ | 23,8 | | 4617-G | | | | |
| | IV SERIES (-ABS) | 07-96→08-02 | 25,4 | AISIN | 4103-G | | | | |
| | II - III SERIES (-ABS) | 10-86→08-96 | | | | | | | |
| | II SERIES (ABS) | 10-86→11-92 | 43 | AKEBONO | 4457-G | 11740 | P-434505 | 2 | 45 |
| | III - IV - V SERIES | 06-91→11-06 | 43 | AKEBONO | 4548-G | 11733 | P-435001 | 2 | 50 |
| | I SERIES | 02-83→01-88 | 51 | TOYOTA - AKEBONO | 3845-G | 10865 | P-514502 | 1 | 45 |
| | I - II SERIES | 01-82→11-92 | 54 | TOYOTA | 4381-G | 10908 | P-544501 | 1 | 45 |
| | III - IV SERIES | 06-91→08-02 | 57 | HOSEI - AISIN | 4260-G | 10670 | P-574901 | 1 | 49 |
| | I - II SERIES | 01-83→06-91 | 57 | TOYOTA - AISIN | 4489-G | 11432 | P-574502 | 1 | 45 |
| | II SERIES | 10-86→11-92 | 57 | | 4654-G | | | | |
| | IV - V SERIES | 07-96→11-06 | 60 | AKEBONO | 4734-G | 10966 | P-604804 | 1 | 48 |
| | IV SERIES 2.2L 16V (JAPAN) | 08-99→07-01 | 60 | AISIN | 6371-G | 11836 | P-604902 | 1 | 49 |
| | V SERIES | 07-01→11-06 | 63 | AISIN | 6175-G | 11479 | P-634901 | 1 | 49 |
| | VI SERIES | 01-06→ | 63 | ADVICS | 6334-G | 11478 | P-634901 | 1 | 49 |
| | III - IV SERIES | 06-91→08-02 | 10 | AKEBONO | 30021-G | | | | |
| | IV SERIES | 07-96→08-02 | 10 | AKEBONO | 30159-G | | | | |
| | VI SERIES | 01-06→ | 11 | AKEBONO | 30164-G | | | | |
| | I SERIES | 02-83→01-88 | 15 | AKEBONO | 30106-G | | | | |
| | II SERIES WAGON | 01-87→01-88 | 19 | | 10236-G | | | | |
| | I - II SERIES | 10-82→11-92 | 19 | | 4168-G | | | | |
| | II SERIES WAGON | 01-88→01-91 | 20,6 | | 10237-G | | | | |
| | II SERIES | 10-86→11-92 | 32 | AISIN | 4750-G | 11525 | P-324502 | 1 | 45 |
| | II - III - IV - V SERIES WITH with GLIDEBUSH | 10-86→11-06 | 35 | AISIN | 4436-G | 11580 | P-354504 | 1 | 45 |
| | V SERIES | 08-99→ | 35 | AISIN | 4835-G | 11591 | P-354504 | 1 | 45 |
| | III - IV SERIES | 03-92→07-96 | 38 | AISIN | 4544-G | 11136 | P-384501 | 1 | 45 |
| | VI SERIES | 01-06→ | 38 | | 4957-G | | | | |
| | V SERIES | 07-01→11-06 | 38 | ADVICS | 6132-G | 11615 | P-384502 | 1 | 45 |
| | VI SERIES | 01-06→ | 38 | ADVICS | 6166-G | 11138 | P-384401 | 1 | 44,5 |
| | III SERIES ST. CAR | 06-91→08-96 | 43 | AISIN | 4543-G | 11728 | P-434601 | 1 | 46 |
| | VI SERIES | 01-06→ | 8 | ADVICS | 30150-G | | | | |
| | II - III - IV - V SERIES | 10-86→11-06 | 13 | AISIN | 30165-G | | | | |
| | I SERIES | 10-82→10-86 | 15,9 | | 3738-G | | | | |
| | II SERIES | 10-86→11-92 | 15,9 | | 3749-G | | | | |
| | III SERIES | 06-91→08-96 | 15,9 | | 3759-G | | | | |
| | I SERIES PETROL (RHD) | 10-82→10-86 | 15,9 | | 3760-G | | | | |
| | I - II SERIES | 10-82→11-92 | 17,5 | | 6355-G | | | | |
| | I - II SERIES | 10-82→11-92 | 20,6 | | 10243 | | | | |



Master Cylinder



Front Caliper



Front Wheel Cylinder



Clutch Master Cylinder



Front Caliper Guides



Pressure Regulating Valve



Rear Caliper



Rear Wheel Cylinder



Clutch Slave Cylinder



Rear Caliper Guides



∅
(mm.)

VERSION



TOYOTA

4 of 21

CARINA

| | | | | | | | | | |
|--|--------------------------------|-------------|------|---------|----------------|-------|----------|---|------|
| | (TA6) SERIES | 08-81→09-83 | 20,6 | | 3741-G | | | | |
| | (TA1) SERIES | 12-70→07-77 | 20,6 | | 3743-G | | | | |
| | 2 (T15) SERIES | 09-83→12-87 | 22,2 | | 3885-G | | | | |
| | 2 (T17) SERIES | 12-87→03-92 | 23,8 | | 3748-G | | | | |
| | E (T19) 2.0 GTI | 11-92→10-97 | 38 | TOYOTA | 4446-G | 11137 | P-384501 | 1 | 45 |
| | (TA1) SERIES | 12-70→07-77 | 48 | AKEBONO | 3860-G | | | | |
| | (TA4 - TA6) SERIES | 08-77→09-83 | 51 | AKEBONO | 3834-G | | | | |
| | (TA4) SERIES | 08-77→07-81 | 51 | | 3840-G | | | | |
| | 2 (T15) SERIES | 09-83→12-87 | 51 | TOYOTA | 3845-G | 10865 | P-514502 | 1 | 45 |
| | (TA6) SERIES | 08-81→09-83 | 51 | AKEBONO | 4280-G | 11354 | P-514403 | 1 | 44,2 |
| | (TA1) SERIES | 12-70→07-77 | 51 | AKEBONO | 6295-G | 11356 | P-514506 | 1 | 45 |
| | (TA4 - TA6) SERIES (13" WHEEL) | 08-77→07-81 | | | | | P-514506 | 1 | 45 |
| | 2 (T17) SERIES | 12-87→03-92 | 54 | TOYOTA | 4381-G | 10908 | P-544501 | 1 | 45 |
| | E (T19) SERIES | 11-92→10-97 | 57 | HOSEI | 4260-G | 10670 | P-574901 | 1 | 49 |
| | 2 (T17) SERIES (14" WHEEL) | 12-87→03-92 | 57 | AISIN | 4489-G | 11432 | P-574502 | 1 | 45 |
| | E (T19) SERIES | 11-92→10-97 | 10 | TOYOTA | 30021-G | | | | |
| | 2 (TA15) SERIES | 09-83→12-87 | 15 | TOYOTA | 30106-G | | | | |
| | 2 (TA15) SERIES | 09-83→12-87 | 17,5 | | 3812-G | | | | |
| | (TA4 - TA6) SERIES | 08-77→09-83 | 19 | | 10236-G | | | | |
| | 2 (T15 - T17) SERIES | 09-83→03-92 | 19 | AISIN | 4168-G | | | | |
| | E (T19) SERIES | 11-92→10-97 | | | | | | | |
| | (TA4) SERIES | 08-77→07-81 | 20,6 | | 10237-G | | | | |
| | 2 (T17) SERIES | 12-87→03-92 | 32 | | 3843-G | 11529 | P-324504 | 1 | 45 |
| | E (T19) SERIES 2.0 GTI | 11-92→10-97 | 35 | AKEBONO | 3844-G | 10720 | P-354502 | 1 | 45,8 |
| | E (T19) SERIES 2.0 GTI (ST191 | 11-92→10-97 | 35 | AISIN | 4436-G | 11580 | P-354504 | 1 | 45 |
| | 2 (T17) SERIES | 01-89→03-92 | 15,9 | | 3738-G | | | | |
| | (TA4 - TA6) SERIES | 08-77→09-83 | | | | | | | |
| | 2 (T15) SERIES DIESEL | 09-83→12-87 | | | | | | | |
| | 2 (T17) SERIES | 12-87→01-89 | 15,9 | | 3749-G | | | | |
| | E (T19) SERIES | 11-92→10-97 | 15,9 | | 3759-G | | | | |
| | 2 (T15) SERIES PETROL | 09-83→12-87 | 15,9 | | 3760-G | | | | |
| | (TA1) SERIES | 12-70→07-77 | 19 | | 4164-G | | | | |
| | ALL TYPES | 12-70→03-92 | 20,6 | | 10243 | | | | |
| | E (T19) SERIES 1.6 | 11-92→10-97 | 20,6 | | 4166-G | | | | |



Master Cylinder



Front Caliper



Front Wheel Cylinder



Clutch Master Cylinder



Front Caliper Guides



Pressure Regulating Valve



Rear Caliper



Rear Wheel Cylinder



Clutch Slave Cylinder



Rear Caliper Guides



Ø
(mm.)

VERSION



TOYOTA

5 of 21

CELICA

| | | | | | | | | | |
|--|---|-------------|------|---------------|----------------|-------|----------|---|------|
| | III SERIES (A60) (USA) | 08-81→12-85 | 20,6 | | 3741-G | | | | |
| | II SERIES (A40) | 08-77→07-81 | 20,6 | | 3743-G | | | | |
| | TE TYPES (USA) | 08-77→07-81 | 20,6 | | 4413-G | | | | |
| | III SERIES (A60) (MIDDLE EAST COUNTRIES) | 08-81→12-85 | 23,8 | | 3745-G | | | | |
| | III SERIES (A60) SUPRA | | | | | | | | |
| | IV SERIES (T160) | 09-85→12-89 | 23,8 | | 3983-G | | | | |
| | VI SERIES (T200) 2.0 DOCH ST205 | 11-93→11-99 | 40 | SUMITOMO | 4450-G | 11681 | P-403101 | 4 | 31,5 |
| | VI SERIES (T200) 2.0i DOCH ST202 | 11-93→11-99 | 40 | AISIN | 4631-G | 10761 | P-404902 | 2 | 49,8 |
| | IV SERIES (T160) 2.000 DOHC | 09-85→12-89 | 43 | AKEBONO | 4457-G | 11740 | P-434505 | 2 | 45 |
| | I SERIES (A20 - 35) 1.6 | 09-70→12-77 | 48 | AKEBONO | 3860-G | | | | |
| | II SERIES (A40) | 08-77→07-81 | 51 | AKEBONO | 3834-G | | | | |
| | II SERIES (A40) | 08-77→07-81 | 51 | | 3840-G | | | | |
| | II SERIES (A40) 1600 | 08-77→07-81 | 51 | AKEBONO | 4280-G | 11354 | P-514403 | 1 | 44,2 |
| | II SERIES (A40) 1600-2000 (13" WHEEL) | 08-77→07-81 | 51 | AKEBONO | 6295-G | 11356 | P-514506 | 1 | 45 |
| | I SERIES (A20 - 35) | 09-70→12-77 | | | | | P-514506 | 1 | 45 |
| | I - II - III - IV - V SERIES (EUROPE) | 09-70→11-93 | 54 | | 3714-G | | | | |
| | IV SERIES (T160) 1.6 - 2.0 GT | 09-85→12-89 | 54 | TOYOTA | 4381-G | 10908 | P-544501 | 1 | 45 |
| | III SERIES (A60) | 08-81→12-85 | 57 | AKEBONO | 3730-G | 11435 | P-574503 | 1 | 45,5 |
| | IV SERIES (T160) | 09-85→12-89 | 57 | | 3857-G | | | | |
| | III SERIES (A60) | 08-81→12-85 | 57 | SUMITOMO | 3858-G | | | | |
| | VI SERIES (T200) 1.8 - 2.0 - 2.2 | 11-93→11-99 | 57 | HOSEI - AISIN | 4260-G | 10670 | P-574901 | 1 | 49 |
| | IV - V SERIES (T160 - T180) (14" WHEEL) | 10-89→11-93 | 57 | TOYOTA | 4489-G | 11432 | P-574502 | 1 | 45 |
| | VII SERIES (T230) 1.8 | 08-99→09-05 | 57 | AISIN | 4606-G | 11426 | P-574501 | 1 | 45,5 |
| | VII SERIES (T230) 1.8 | 08-99→09-05 | 9 | AISIN | 30051-G | | | | |
| | VI SERIES (T200) 1.8 - 2.0 - 2.0 | 11-93→11-99 | 10 | SUMITOMO | 30021-G | | | | |
| | II - III SERIES (A40 - A60) | 08-77→12-85 | 13 | AKEBONO | 30101-G | | | | |
| | II SERIES (A40) | 08-77→07-81 | 19 | | 10236-G | | | | |
| | IV SERIES (T160) | 09-85→12-89 | 19 | AISIN | 4168-G | | | | |
| | III SERIES (A60) | 08-81→12-85 | 20,6 | | 10237-G | | | | |
| | III SERIES (A60) | 08-81→12-85 | 22,2 | | 3870-G | | | | |
| | IV - V - VI SERIES (T160 - T180 - T200) 1.8i - 2.0i | 09-85→11-99 | 32 | | 3843-G | 11529 | P-324504 | 1 | 45 |
| | VII SERIES (T230) 1.8 | 08-99→09-05 | 34 | SUMITOMO | 4954-G | 11542 | P-344704 | 1 | 47,5 |
| | VI SERIES (T200) 2.0i DOHC | 11-93→11-99 | 35 | AKEBONO | 3844-G | 10720 | P-354502 | 1 | 45,8 |
| | IV - V SERIES (T160 - T180) 2000 DOHC | 10-89→11-93 | 35 | AISIN | 4436-G | 11580 | P-354504 | 1 | 45 |
| | III SERIES (A60) 1.6 - 2.0 | 08-81→12-85 | 38 | AKEBONO | 4444-G | 11130 | P-384602 | 1 | 46 |
| | VI SERIES (T200) 2.0i TURBO 4WD | 11-93→11-99 | 38 | SUMITOMO | 4605-G | 10734 | P-383101 | 2 | 31,4 |
| | VII SERIES (T230) | 08-99→09-05 | 20 | SUMITOMO | 30119-G | | | | |
| | I - II - III SERIES | 09-70→12-85 | 15,9 | | 3738-G | | | | |
| | IV SERIES (T160) GT | 09-85→12-89 | | | | | | | |
| | V SERIES (T180) | 10-89→11-93 | 15,9 | | 3759-G | | | | |
| | IV SERIES (T160) EXCEPT GT | 09-85→12-89 | 15,9 | | 3760-G | | | | |
| | I SERIES (A20 - 35) | 09-70→12-77 | 19 | | 4164-G | | | | |
| | II - III - IV SERIES (A40 - A60 - T160) | 08-77→12-89 | 20,6 | | 10243 | | | | |

CHASER

| | | | | | | | | | |
|--|-------------------------|--------|----|----------|---------------|--|--|--|--|
| | RX31 - RX41 (2 PISTONS) | 01-77→ | 54 | SUMITOMO | 3041-G | | | | |
|--|-------------------------|--------|----|----------|---------------|--|--|--|--|



Master Cylinder



Front Caliper



Front Wheel Cylinder



Clutch Master Cylinder



Front Caliper Guides



Pressure Regulating Valve



Rear Caliper



Rear Wheel Cylinder



Clutch Slave Cylinder



Rear Caliper Guides

Ø
(mm.)

VERSION



TOYOTA

7 of 21

COROLLA (E12 SERIES) 03-01→05-04

| | | | | | | | | | |
|--|--------------------|-------------|------|----------|----------------|-------|----------|---|------|
| | ALL TYPES | 03-01→05-04 | 20,6 | AISIN | 4926-G | | | | |
| | ALL TYPES | 03-01→05-04 | 57 | AISIN | 4606-G | 11426 | P-574501 | 1 | 45,5 |
| | ALL TYPES | 03-01→05-04 | 57 | LUCAS | 6038-G | 11408 | P-575001 | 1 | 49,8 |
| | ALL TYPES | 03-01→05-04 | 10 | LUCAS | 30077-G | | | | |
| | ALL TYPES | 03-01→05-04 | 11 | AKEBONO | 30086-G | | | | |
| | ALL TYPES (EUROPE) | 03-01→05-04 | 34 | LUCAS | 6098-G | 11541 | P-344703 | 1 | 47,5 |
| | ALL TYPES (JAPAN) | 03-01→05-04 | 36 | SUMITOMO | 6079-G | 11598 | P-364702 | 1 | 47,5 |
| | ALL TYPES | 03-01→05-04 | 10 | LUCAS | 30012-G | | | | |
| | ALL TYPES | 03-01→05-04 | 20 | SUMITOMO | 30119-G | | | | |

COROLLA (E13 SERIES) 03-04→04-09

| | | | | | | | | | |
|--|--------------------------|-------------|----|-------|----------------|-------|----------|---|------|
| | ALL TYPES | 03-04→04-09 | 57 | BOSCH | 4643-G | 10950 | P-575202 | 1 | 52,5 |
| | ALL TYPES | 03-04→04-09 | 57 | LUCAS | 6038-G | 11408 | P-575001 | 1 | 49,8 |
| | ALL TYPES | 03-04→04-09 | 10 | BOSCH | 30014-G | | | | |
| | ALL TYPES (SOUTH AFRICA) | 03-04→04-09 | 34 | TRW | 6082-G | | | | |
| | ALL TYPES | 03-04→04-09 | 38 | BOSCH | 4859-G | 10747 | P-384802 | 1 | 48,5 |
| | ALL TYPES | 03-04→04-09 | 10 | BOSCH | 30057-G | | | | |

COROLLA (E14 SERIES) 09-06→

| | | | | | | | | | |
|--|-------------------|--------|----|--------|----------------|-------|----------|---|----|
| | ALL TYPES (JAPAN) | 09-06→ | 60 | ADVICS | 6320-G | 11455 | P-604902 | 1 | 49 |
| | ALL TYPES (JAPAN) | 09-06→ | 11 | ADVICS | 30164-G | | | | |

COROLLA (E15 SERIES) 11-06→

| | | | | | | | | | |
|--|---------------------------|--------|----|--------|----------------|-------|------------|---|------|
| | ALL TYPES (ENGLAND) | 11-06→ | 57 | BOSCH | 4643-G | 10950 | P-575202 | 1 | 52,5 |
| | ALL TYPES (JAPAN) | 11-06→ | 60 | ADVICS | 6320-G | 11455 | P-604902 | 1 | 49 |
| | ALL TYPES (JAPAN) | 11-06→ | 11 | ADVICS | 30164-G | | | | |
| | ALL TYPES | 11-06→ | 36 | BOSCH | 6083-G | | | | |
| | ALL TYPES MADE IN ENGLAND | 11-06→ | 36 | BOSCH | 6184-G | 11596 | P-364901 | 1 | 49 |
| | | | | | | 11614 | K-364901-R | 1 | 49 |
| | | | | | | 11613 | K-364901-L | 1 | 49 |
| | ALL TYPES (JAPAN) | 11-06→ | 38 | TOKICO | 6236-G | 11141 | P-384601 | 1 | 46,8 |
| | | | | | | 11650 | K-384601 | 1 | 46,8 |
| | ALL TYPES (JAPAN) | 11-06→ | 10 | TOKICO | 30082-G | | | | |

COROLLA (E18 SERIES) 10-12→

| | | | | | | | | | |
|--|---------------------------|--------|----|---------|----------------|-------|------------|---|----|
| | ALL TYPES | 10-12→ | 11 | AKEBONO | 30164-G | | | | |
| | ALL TYPES MADE IN ENGLAND | 10-12→ | 36 | BOSCH | 6184-G | 11596 | P-364901 | 1 | 49 |
| | | | | | | 11614 | K-364901-R | 1 | 49 |
| | | | | | | 11613 | K-364901-L | 1 | 49 |

COROLLA (E7 SERIES) 09-79→08-87

| | | | | | | | | | |
|--|------------|-------------|------|----------|---------------|-------|----------|---|------|
| | ALL TYPES | 09-79→08-87 | 20,6 | | 3741-G | | | | |
| | (TE) TYPES | 09-79→08-87 | 48 | | 3859-G | 11339 | P-484503 | 1 | 45,5 |
| | (GEN) | 09-79→08-87 | 51 | AKEBONO | 3828-G | | | | |
| | ALL TYPES | 09-79→08-87 | 51 | AKEBONO | 4280-G | 11354 | P-514403 | 1 | 44,2 |
| | ALL TYPES | 09-79→08-87 | 51 | SUMITOMO | 4595-G | 10871 | P-514505 | 1 | 45 |
| | ALL TYPES | 09-79→08-87 | 20,6 | | 3777-G | | | | |
| | ALL TYPES | 09-79→08-87 | 15,9 | | 3738-G | | | | |



Master Cylinder



Front Caliper



Front Wheel Cylinder



Clutch Master Cylinder



Front Caliper Guides



Pressure Regulating Valve



Rear Caliper



Rear Wheel Cylinder



Clutch Slave Cylinder



Rear Caliper Guides

Ø
(mm.)

VERSION



TOYOTA

8 of 21

COROLLA (E8 SERIES) 05-83→06-89

| | | | | | | | | | |
|--|----------------------------|-------------|------|---------|----------------|-------|----------|---|------|
| | ALL TYPES | 05-83→06-89 | 20,6 | | 4537-G | | | | |
| | ALL TYPES | 05-83→06-89 | 22,2 | | 3885-G | | | | |
| | ALL TYPES | 06-83→01-85 | 48 | | 3859-G | 11339 | P-484503 | 1 | 45,5 |
| | AE 86 | 05-83→06-89 | 51 | AKEBONO | 3828-G | 11355 | P-514403 | 1 | 44,2 |
| | AE 80 - AE 82 | 05-83→06-89 | 51 | TOYOTA | 3845-G | 10865 | P-514502 | 1 | 45 |
| | AE 80 - AE 82 | 06-83→08-94 | 51 | AKEBONO | 4476-G | 10869 | P-514502 | 1 | 45 |
| | AE 86 | 05-83→06-89 | 15 | AKEBONO | 30106-G | | | | |
| | ALL TYPES (SOUTH AFRICA) | 05-83→06-89 | 19 | | 4168-G | | | | |
| | ALL TYPES | 01-84→08-87 | 20,6 | | 10237-G | | | | |
| | AE 80 | 01-83→01-84 | 20,6 | | 3777-G | | | | |
| | 1600 GT FWD | 05-83→06-89 | 32 | AKEBONO | 4627-G | | | | |
| | 1.6 16V | 11-85→04-87 | 35 | AKEBONO | 3844-G | 11592 | P-354401 | 1 | 44,5 |
| | 1.6 16V | 11-85→04-87 | 13 | AKEBONO | 30027-G | | | | |
| | 1600 GT FWD | 05-83→06-89 | 13 | AKEBONO | 30100-G | | | | |
| | ALL TYPES EXCEPT 1.3 - 1.6 | 05-83→06-89 | 15,9 | | 3738-G | | | | |
| | 1.3 - 1.6 | 05-83→06-89 | 15,9 | | 3760-G | | | | |
| | ALL TYPES | 05-83→06-89 | 20,6 | | 10243 | | | | |
| | AE 80 - AE 82 | 05-83→06-89 | 22,2 | | 3794-G | | | | |

COROLLA (E9 - SERIES) 05-87→10-95

| | | | | | | | | | |
|--|----------------------------|-------------|------|---------|---------------|-------|----------|---|----|
| | ALL TYPES | 05-87→10-95 | 20,6 | | 4321-G | | | | |
| | ALL TYPES | 05-87→10-95 | 22,2 | | 3763-G | | | | |
| | ALL TYPES | 05-87→10-95 | 51 | TOYOTA | 3845-G | 10865 | P-514502 | 1 | 45 |
| | ALL TYPES (-ABS) | 08-87→04-92 | 57 | | 3857-G | | | | |
| | ALL TYPES | 05-87→10-95 | 17,5 | | 3812-G | | | | |
| | ALL TYPES | 05-87→10-95 | 19 | | 4168-G | | | | |
| | ALL TYPES | 05-87→10-95 | 30 | AKEBONO | 4429-G | 11009 | P-304503 | 1 | 45 |
| | | | | | | 11508 | K-304503 | 1 | 45 |
| | ALL TYPES (SIMPLE CIRCUIT) | 08-87→06-88 | 15,9 | | 3738-G | | | | |
| | ALL TYPES (SIMPLE CIRCUIT) | 05-89→06-91 | 15,9 | | 3759-G | | | | |

COROLLA (KE - TE SERIES) 02-70→11-81

| | | | | | | | | | |
|--|-----------------------|-------------|------|----------|----------------|-------|----------|---|----|
| | KE TYPES (FRONT DISC) | 02-70→11-81 | 19 | | 3864-G | | | | |
| | KE TYPES (FRONT DRUM) | 02-70→11-81 | 20,6 | | 3741-G | | | | |
| | TE TYPES | 01-77→01-79 | 20,6 | | 3972-G | | | | |
| | TE TYPES | 01-76→ | 20,6 | | 4413-G | | | | |
| | KE TYPES | 02-70→11-81 | 22,2 | | 4161-G | | | | |
| | KE TYPES | 02-70→11-81 | 48 | SUMITOMO | 3860-G | | | | |
| | KE TYPES | 02-70→11-81 | 48 | TOYOTA | 4785-G | | | | |
| | TE TYPES | 01-76→11-81 | 51 | | 3840-G | | | | |
| | ALL TYPES | 02-70→11-81 | 51 | AKEBONO | 6295-G | 11356 | P-514506 | 1 | 45 |
| | ALL TYPES | 02-70→11-81 | 19 | | 10236-G | | | | |
| | ALL TYPES | 02-70→11-81 | 20,6 | | 10237-G | | | | |
| | ALL TYPES | 02-70→11-81 | 20,6 | | 3856-G | | | | |
| | TE TYPES | 09-76→01-80 | 19 | | 4164-G | | | | |



Master Cylinder



Front Caliper



Front Wheel Cylinder



Clutch Master Cylinder



Front Caliper Guides



Pressure Regulating Valve



Rear Caliper



Rear Wheel Cylinder



Clutch Slave Cylinder



Rear Caliper Guides

Ø
(mm.)

VERSION



TOYOTA

9 of 21

COROLLA VERSO (E12 SERIES) 09-01→01-04

| | | | | | | | | | |
|--|-----------|-------------|----|----------|---------------|-------|----------|---|------|
| | ALL TYPES | 09-01→01-04 | 57 | AKEBONO | 4260-G | 10670 | P-574901 | 1 | 49 |
| | ALL TYPES | 09-01→01-04 | 57 | AISIN | 4606-G | 11426 | P-574501 | 1 | 45,5 |
| | ALL TYPES | 09-01→01-04 | 36 | SUMITOMO | 6079-G | 11598 | P-364702 | 1 | 47,5 |

COROLLA VERSO (R10 SERIES) 02-04→

| | | | | | | | | | |
|--|-----------|--------|----|-------|---------------|-------|----------|---|------|
| | ALL TYPES | 02-04→ | 57 | BOSCH | 4643-G | 10949 | P-575304 | 1 | 53,6 |
| | ALL TYPES | 02-04→ | 38 | BOSCH | 4859-G | 10747 | P-384802 | 1 | 48,5 |

CORONA

| | | | | | | | | | |
|--|--------------------------------------|-------------|------|---------------------|----------------|-------|----------|---|------|
| | VI SERIES | 09-78→12-83 | 20,6 | | 3741-G | | | | |
| | V SERIES 102 - 104 | 08-73→05-79 | 20,6 | | 3972-G | | | | |
| | V SERIES 100 - 108 | 08-73→05-79 | 20,6 | | 4413-G | | | | |
| | V SERIES 102 - 104 | 08-73→05-79 | 22,2 | | 3742-G | | | | |
| | VIII SERIES | 12-87→01-92 | 22,2 | | 3763-G | | | | |
| | IX SERIES (-ABS) | 02-92→09-97 | | | | | | | |
| | VI SERIES | 09-78→12-83 | 22,2 | | 3764-G | | | | |
| | VII SERIES | 08-83→04-87 | 22,2 | | 3885-G | | | | |
| | V SERIES 100-108 - 112-118 | 08-73→05-79 | 22,2 | | 4415-G | | | | |
| | VIII SERIES EXCEPT 2000 | 12-87→01-92 | 23,8 | | 3748-G | | | | |
| | VIII SERIES 2000 (14" WHEEL) | 12-87→01-92 | 23,8 | | 4617-G | | | | |
| | V SERIES | 08-73→05-79 | 22,2 | | 4161-G | | | | |
| | III - IV SERIES | 09-63→12-73 | 48 | | 2643-G | | | | |
| | V - VI SERIES | 08-73→12-83 | 51 | AKEBONO | 3840-G | | | | |
| | VII SERIES (FWD) | 08-83→04-87 | 51 | TOYOTA | 3845-G | 10865 | P-514502 | 1 | 45 |
| | VII SERIES (RWD) | 08-83→04-87 | 51 | AKEBONO | 4280-G | 11354 | P-514403 | 1 | 44,2 |
| | IV SERIES | 09-71→12-73 | 51 | AKEBONO | 6295-G | 11356 | P-514506 | 1 | 45 |
| | V SERIES | 08-73→05-79 | 54 | SUMITOMO | 3041-G | 10668 | P-542901 | 2 | 29 |
| | V SERIES EUROPE ALGERIA SOUTH AFRICA | 08-73→05-79 | 54 | LUCAS - AP LOCKHEED | 3846-G | | | | |
| | VIII SERIES | 12-87→01-92 | 54 | TOYOTA | 4381-G | 10908 | P-544501 | 1 | 45 |
| | VIII SERIES | 12-87→01-92 | 17,5 | | 3812-G | | | | |
| | VI SERIES | 09-78→12-83 | 19 | | 10236-G | | | | |
| | VII SERIES | 08-83→04-87 | 19 | | 4168-G | | | | |
| | VI SERIES | 09-78→12-83 | 20,6 | | 10237-G | | | | |
| | VIII SERIES | 12-87→01-92 | 32 | | 3843-G | 11529 | P-324504 | 1 | 45 |
| | X SERIES | 01-96→05-01 | 13 | AISIN | 30165-G | | | | |
| | V - VI SERIES | 08-73→12-83 | 15,9 | | 3738-G | | | | |
| | VII SERIES DIESEL | 08-83→04-87 | | | | | | | |
| | VIII SERIES | 12-87→06-88 | | | | | | | |
| | VIII SERIES DIESEL | 06-88→11-89 | 15,9 | | 3749-G | | | | |
| | VIII - IX SERIES | 06-88→09-97 | 15,9 | | 3759-G | | | | |
| | VII SERIES PETROL | 08-83→04-87 | 15,9 | | 3760-G | | | | |
| | III - IV SERIES | 09-63→12-73 | 19 | | 4594-G | | | | |
| | VIII SERIES | 12-87→01-92 | 20,6 | | 3856-G | | | | |
| | V - VI SERIES | 08-73→12-83 | 15,9 | | 3868-G | | | | |
| | V - VI SERIES | 08-73→12-83 | 19 | | 4164-G | | | | |
| | V - VI SERIES | 08-73→12-83 | 20,6 | | 10243 | | | | |



Master Cylinder



Front Caliper



Front Wheel Cylinder



Clutch Master Cylinder



Front Caliper Guides



Pressure Regulating Valve



Rear Caliper



Rear Wheel Cylinder



Clutch Slave Cylinder



Rear Caliper Guides



∅
(mm.)

VERSION



TOYOTA

10 of 21

CRESSIDA

| | | | | | | | | | | |
|--|-----------------------------------|-------------|------|---------------------|--|-------|----------|---|----|----------------|
| | II SERIES | 09-80→09-92 | 22,2 | | | | | | | 3764-G |
| | III - IV SERIES (LHD) | 12-84→09-96 | 23,8 | | | | | | | 3745-G |
| | IV SERIES (SIMPLE CIRCUIT) | 08-88→09-96 | 23,8 | | | | | | | 3752-G |
| | I SERIES | 12-76→07-81 | 54 | LUCAS - AP LOCKHEED | | | | | | 3846-G |
| | II SERIES (MIDDLE EAST COUNTRIES) | 09-80→09-92 | 57 | | | | | | | 3869-G |
| | III SERIES | 12-84→09-92 | 57 | SUMITOMO | | 11416 | P-574602 | 1 | 46 | 4490-G |
| | I SERIES | 12-76→07-81 | 60 | | | | | | | 10240-G |
| | II SERIES | 09-80→09-92 | 22,2 | | | | | | | 3870-G |
| | II SERIES | 09-80→09-92 | 42,8 | | | | | | | 3998-G |
| | II - III SERIES | 09-80→09-92 | 15,9 | | | | | | | 3738-G |
| | IV SERIES | 08-88→12-88 | 15,9 | | | | | | | 3749-G |
| | IV SERIES | 01-89→09-96 | 15,9 | | | | | | | 3759-G |
| | III SERIES | 12-84→09-92 | 20,6 | | | | | | | 10243 |
| | IV SERIES | 08-88→09-96 | 20,6 | | | | | | | 4166-G |
| | III SERIES | 12-84→09-92 | 22,2 | | | | | | | 3794-G |

CROWN

| | | | | | | | | | | |
|--|--------------------------------------|-------------|------|---------------------|--|-------|----------|---|----|---------------|
| | (S110 - S120) SERIES (FRONT DISC) | 04-80→01-87 | 22,2 | | | | | | | 3742-G |
| | (S80) SERIES (FRONT DRUM) | 01-75→08-79 | 22,2 | | | | | | | 3764-G |
| | (S120) SERIES | 09-83→08-87 | 23,8 | | | | | | | 3745-G |
| | (S120) SERIES MS 123 | 09-83→08-87 | 23,8 | TOKICO | | | | | | 3766-G |
| | (S130) SERIES | 08-87→07-91 | 25,4 | | | | | | | 3751-G |
| | (S110 - S120) SERIES | 04-80→08-87 | 25,4 | | | | | | | 3813-G |
| | (S50 - S60 - S70) SERIES (2 PISTONS) | 03-66→09-74 | 54 | SUMITOMO | | | | | | 3041-G |
| | (S80 - S90 - S100) SERIES | 09-74→08-79 | 54 | LUCAS - AP LOCKHEED | | | | | | 3846-G |
| | (S110 - S120) SERIES | 04-80→08-87 | 57 | SUMITOMO | | 11419 | P-574602 | 1 | 46 | 3858-G |
| | (S120) SERIES | 08-87→07-91 | 22,2 | | | | | | | 6115-G |
| | (S110 - S120) SERIES | 04-80→08-87 | 25,4 | | | | | | | 3784-G |
| | (S120) SERIES | 09-83→08-87 | 42,8 | | | | | | | 3998-G |
| | (S180) SERIES | 09-03→12-08 | 43 | ADVICS | | 11744 | P-434804 | 1 | 48 | 6269-G |
| | (S110) SERIES EXCEPT LS | 04-80→09-83 | 15,9 | | | | | | | 3738-G |
| | (S80 - S90 - S100) SERIES | 09-74→08-79 | 19 | | | | | | | 4164-G |
| | (S110) SERIES EXCEPT LS110 | 04-80→09-83 | 20,6 | | | | | | | 10243 |
| | (S110) SERIES LS110 | 04-80→09-83 | 22,2 | | | | | | | 3794-G |



Master Cylinder



Front Caliper



Front Wheel Cylinder



Clutch Master Cylinder



Front Caliper Guides



Pressure Regulating Valve



Rear Caliper



Rear Wheel Cylinder



Clutch Slave Cylinder



Rear Caliper Guides



∅
(mm.)

VERSION



TOYOTA

12 of 21

ECHO

| | | | | | | | | | |
|--|---------------|--------|------|-------|--------|--|--|--|--|
| | NCP10 - NCP12 | 08-99→ | 20,6 | AISIN | 3711-G | | | | |
|--|---------------|--------|------|-------|--------|--|--|--|--|

FJ CRUISER

| | | | | | | | | | |
|--|-----------|--------|----|----------|--------|-------|----------|---|------|
| | ALL TYPES | 01-06→ | 45 | SUMITOMO | 4463-G | 10803 | P-453102 | 4 | 31,5 |
| | ALL TYPES | 01-06→ | 45 | SUMITOMO | 6105-G | 11773 | P-454903 | 1 | 49 |

F-MODEL

| | | | | | | | | | |
|--|----------------|-------------|------|---------|---------|-------|----------|---|------|
| | ALL TYPES | | 23,8 | TOKICO | 3766-G | | | | |
| | ALL TYPES | | 25,4 | | 3747-G | | | | |
| | R20 TYPE | 09-85→01-90 | 43 | AKEBONO | 4458-G | 10697 | P-434501 | 2 | 44,8 |
| | R30 TYPE (4WD) | 01-86→01-90 | 45 | AKEBONO | 4462-G | 10800 | P-444502 | 2 | 45,5 |
| | ALL TYPES | →01-88 | 57 | AKEBONO | 3730-G | 11435 | P-574503 | 1 | 45,5 |
| | ALL TYPES | →01-88 | 13 | AKEBONO | 30101-G | | | | |
| | ALL TYPES | | 20,6 | | 10237-G | | | | |
| | 2.0 | 01-87→01-88 | 15,9 | | 3738-G | | | | |
| | ALL TYPES | | 20,6 | | 10243 | | | | |
| | ALL TYPES | | 22,2 | | 3794-G | | | | |

HEAVY DUTY TRUCK

| | | | | | | | | | |
|--|-----------|-------------|------|--|---------|--|--|--|--|
| | ALL TYPES | | 20,6 | | 10281-G | | | | |
| | ALL TYPES | 01-73→01-82 | 31,8 | | 4206-G | | | | |
| | ALL TYPES | 01-69→ | 19 | | 3879-G | | | | |
| | ALL TYPES | | 20,6 | | 10259-G | | | | |
| | ALL TYPES | 01-77→01-90 | 23,8 | | 4234-G | | | | |



Master Cylinder



Front Caliper



Front Wheel Cylinder



Clutch Master Cylinder



Front Caliper Guides



Pressure Regulating Valve



Rear Caliper



Rear Wheel Cylinder



Clutch Slave Cylinder



Rear Caliper Guides

Ø
(mm.)

VERSION



TOYOTA

13 of 21

HIACE

| | | | | | | | | | | |
|--|--|-------------|------|--|--------|--|-------|----------|--------|----------------|
| | I SERIES (H11 - H20 - H30 - H40) | 02-77→03-83 | 22,2 | | | | | | | 3874-G |
| | II SERIES (H50 - H60 - H70) | 12-82→01-87 | 23,8 | | | | | | | 3744-G |
| | II SERIES (H50 - H60 - H70) | 01-87→11-89 | 23,8 | | TOKICO | | | | | 3766-G |
| | I SERIES (H11 - H20 - H30 - H40) | 02-77→03-83 | 23,8 | | | | | | | 4361-G |
| | II SERIES (H50 - H60 - H70) | 12-82→01-87 | 23,8 | | | | | | | 4828-G |
| | III SERIES (H100) | 08-89→08-04 | 25,4 | | | | | | | 3747-G |
| | I SERIES (H10) | 01-72→02-77 | 28,6 | | | | | | | 3849-G |
| | I SERIES (H10) | 01-72→02-77 | 31,8 | | | | | | | 4390-G |
| | I SERIES (H11 - H20 - H30 - H40) H20 - 30 - 2.2 DIESEL | 02-77→03-83 | 60 | | | | | | | 3818-G |
| | I SERIES (H11 - H20 - H30 - H40) 1.6 | 02-77→03-83 | 60 | | | | | | | 3878-G |
| | II SERIES (H50 - H60 - H70) | 12-82→11-89 | 60 | | AISIN | | 10965 | P-604803 | 1 48,2 | 4266-G |
| | III SERIES (H100) (DISC 25MM - 14"WHEEL) | 08-89→08-04 | 67 | | AISIN | | 11489 | P-674801 | 1 48 | 4279-G |
| | III - IV SERIES (H100 - H200) (DISC 28MM 15"WHEEL) | 08-89→ | 67 | | AISIN | | 11491 | P-674801 | 1 48 | 4735-G |
| | III - IV SERIES (H100 - H200) | 08-89→ | 67 | | AISIN | | | | | 6103-G |
| | II SERIES 2.4D (4WD) (DISC 22MM) | 01-86→01-88 | 67 | | AISIN | | 11490 | P-674801 | 1 48 | 6339-G |
| | II - III SERIES (H50 - H60 - H70 - H100) | 12-82→08-04 | 16 | | AISIN | | | | | 30114-G |
| | I SERIES (H11 - H20 - H30 - H40) 1.6 | 02-77→03-83 | 19 | | | | | | | 3873-G |
| | I - II SERIES | 02-77→11-89 | 20,6 | | | | | | | 3875-G |
| | I SERIES (H10) | 01-72→02-77 | 20,6 | | | | | | | 4170-G |
| | II SERIES (H50 - H60 - H70) | 12-82→11-89 | 22,2 | | | | | | | 10239-G |
| | III SERIES (H100) | 08-89→08-04 | 22,2 | | | | | | | 6115-G |
| | III SERIES (H100) | 08-89→08-04 | 23,8 | | | | | | | 3814-G |
| | II - III SERIES (4WD) | 01-86→ | 25,4 | | | | | | | 3781-G |
| | II SERIES (H50 - H60 - H70) | 12-82→11-89 | 15,9 | | | | | | | 3738-G |
| | III SERIES (H100) | 01-95→08-04 | 15,9 | | | | | | | 3750-G |
| | III SERIES (H100) | 08-89→01-95 | 15,9 | | | | | | | 3759-G |
| | I SERIES (H11 - H20 - H30 - H40) | 02-77→03-83 | 19 | | | | | | | 4370-G |
| | I SERIES (H11 - H20 - H30 - H40) | 02-77→03-83 | 15,9 | | | | | | | 3806-G |
| | I SERIES (H10) | 01-72→02-77 | 15,9 | | | | | | | 3868-G |
| | I SERIES (H11 - H20 - H30 - H40) | 02-77→03-83 | 19 | | | | | | | 10241 |
| | II SERIES (H50 - H60 - H70) | 12-82→11-89 | | | | | | | | |
| | I SERIES (H11 - H20 - H30 - H40) | 01-81→03-83 | 19 | | | | | | | 3575-G |
| | I SERIES (H11 - H20 - H30 - H40) PICK-UP | 01-84→07-85 | 19 | | | | | | | 3876-G |
| | I SERIES (H11 - H20 - H30 - H40) | 02-77→01-80 | 19 | | | | | | | 4164-G |
| | II SERIES (H50 - H60 - H70) | 12-82→11-89 | 20,6 | | | | | | | 10243 |

HIGHLANDER

| | | | | | | | | | | |
|--|-----------|-------------|----|--|---------|--|--|--|--|----------------|
| | ALL TYPES | 11-00→03-03 | 10 | | AKEBONO | | | | | 30160-G |
|--|-----------|-------------|----|--|---------|--|--|--|--|----------------|



Master Cylinder



Front Caliper



Front Wheel Cylinder



Clutch Master Cylinder



Front Caliper Guides



Pressure Regulating Valve



Rear Caliper



Rear Wheel Cylinder



Clutch Slave Cylinder



Rear Caliper Guides

Ø
(mm.)

VERSION



TOYOTA

14 of 21

HILUX

| | | | | | | | | | |
|--|--|-------------|------|----------|----------------|-------|----------|---|------|
| | III SERIES (N30 - N40) (FRONT DISC) | 08-78→03-04 | 20,6 | | 3743-G | | | | |
| | IV SERIES (N50 - N60 - N70) (FRONT DISC) | 08-83→07-98 | 20,6 | | 3765-G | | | | |
| | VII SERIES (KUN10 - 20 - 30) | 08-04→ | 20,6 | | 6197-G | | | | |
| | II - III SERIES (N20 - N30 - N40) (SIMPLE CIRCUIT) | 05-72→03-84 | 22,2 | | 3874-G | | | | |
| | IV SERIES (N50 - N60 - N70) (FRONT DISC) | 08-83→07-98 | 23,8 | | 3744-G | | | | |
| | III SERIES (N30 - N40) (FRONT DRUM) | 08-78→03-84 | 23,8 | | 3745-G | | | | |
| | V SERIES (N80 - 90 - 100 - 110 - 130) | 08-88→12-04 | 23,8 | | 3754-G | | | | |
| | V SERIES N80 - 90 - 100 - 110 - 130 (FRONT DISC) | 08-88→12-04 | 25,4 | | 3751-G | | | | |
| | IV SERIES (N50 - N60 - N70) | 08-83→07-98 | 25,4 | | 4400-G | | | | |
| | IV SERIES (N50 - N60 - N70) | 08-83→07-98 | 28,6 | | 3849-G | | | | |
| | IV SERIES 2.0 - 2.4D (4WD) | 08-83→07-98 | 34 | SUMITOMO | 3827-G | 10674 | P-432801 | 2 | 28,6 |
| | | | | | | | P-342801 | 2 | 28,6 |
| | VII SERIES PICK-UP | 08-04→ | 43 | SUMITOMO | 3838-G | 11256 | P-433102 | 4 | 31,5 |
| | V SERIES 2.4 (4WD) | 08-88→12-04 | | | | 10612 | P-422801 | 4 | 28,5 |
| | VII SERIES (KUN 10 - 20 - 30) (4 PISTONS) | 08-04→ | 43 | | 6107-G | | | | |
| | VII SERIES (KUN 10 - 20 - 30) | 08-04→ | 45 | | 6277-G | | | | |
| | II - III SERIES (2 PISTONS) | 05-72→03-84 | 54 | SUMITOMO | 3041-G | | | | |
| | III SERIES EXCEPT 1.6 | 08-78→03-84 | 60 | | 3877-G | | | | |
| | III SERIES 1.6 | 08-78→03-84 | 60 | | 3878-G | | | | |
| | IV SERIES | 08-83→07-98 | 60 | AISIN | 4266-G | 10965 | P-604803 | 1 | 48,2 |
| | VII SERIES PICK-UP | 08-04→ | 60 | TRW | 6322-G | 11831 | P-605003 | 1 | 50 |
| | IV SERIES | 08-83→07-98 | 16 | AISIN | 30114-G | | | | |
| | III SERIES (FRONT DISC) | 08-78→03-84 | 19 | | 3873-G | | | | |
| | IV SERIES | 08-83→07-98 | 20,6 | | 3875-G | | | | |
| | IV SERIES | 08-83→07-98 | 22,2 | | 10239-G | | | | |
| | V SERIES | 08-88→12-04 | 22,2 | | 3795-G | | | | |
| | IV SERIES | 08-83→07-98 | 15,9 | | 3738-G | | | | |
| | V SERIES | 08-88→12-04 | 15,9 | | 3759-G | | | | |
| | III SERIES (N30 - N40) | 08-78→03-04 | 15,9 | | 3806-G | | | | |
| | II SERIES (N20) | 05-72→07-78 | 15,9 | | 3868-G | | | | |
| | III SERIES (N30 - N40) | 08-78→12-81 | 19 | | 10241 | | | | |
| | IV SERIES | 08-83→07-98 | 19 | | 3575-G | | | | |
| | III SERIES (N30 - N40) | 01-82→03-84 | 19 | | 3876-G | | | | |
| | III SERIES (N30 - N40) | 08-78→12-81 | 19 | | 4164-G | | | | |
| | IV SERIES | 08-83→07-98 | 20,6 | | 10243 | | | | |

IQ

| | | | | | | | | | |
|--|-------------------|--------|----|----------|----------------|-------|----------|---|------|
| | ALL TYPES | 01-09→ | 48 | SUMITOMO | 6284-G | 11340 | P-484503 | 1 | 45,5 |
| | ALL TYPES | 09-12→ | 54 | ADVICS | 6163-G | | | | |
| | ALL TYPES | 01-09→ | 9 | SUMITOMO | 30051-G | | | | |
| | ALL TYPES (JAPAN) | 09-12→ | 11 | ADVICS | 30164-G | | | | |
| | ALL TYPES | 01-09→ | 34 | TOKICO | 6226-G | 11554 | P-334601 | 1 | 46,8 |
| | | | | | | 11567 | K-334601 | 1 | 46,8 |
| | ALL TYPES | 01-09→ | 38 | TOKICO | 6236-G | 11141 | P-384601 | 1 | 46,8 |
| | | | | | | 11650 | K-384601 | 1 | 46,8 |
| | ALL TYPES | 01-09→ | 10 | TOKICO | 30082-G | | | | |



Master Cylinder



Front Caliper



Front Wheel Cylinder



Clutch Master Cylinder



Front Caliper Guides



Pressure Regulating Valve



Rear Caliper



Rear Wheel Cylinder



Clutch Slave Cylinder



Rear Caliper Guides



∅
(mm.)

VERSION



TOYOTA

15 of 21

KLUGER

| | | | | | | | | | |
|--|--------|-------------|----|--------|---------------|-------|----------|---|----|
| | MC U28 | 06-00→05-07 | 63 | TOYOTA | 6335-G | 11837 | P-635301 | 1 | 53 |
| | MC U28 | 06-00→05-07 | 38 | | 6162-G | | | | |



Master Cylinder



Front Caliper



Front Wheel Cylinder



Clutch Master Cylinder



Front Caliper Guides



Pressure Regulating Valve



Rear Caliper



Rear Wheel Cylinder



Clutch Slave Cylinder



Rear Caliper Guides

Ø
(mm.)

VERSION



TOYOTA

16 of 21

LAND CRUISER

| | | | | | | | | | |
|--|------------------------------------|-------------|------|----------|----------------|-------|----------|--------|--|
| | 70 | 11-84→08-01 | 22,2 | | 3742-G | | | | |
| | 40 - 60 (ABS) | 08-80→03-92 | 23,8 | | 4398-G | | | | |
| | 80 | 01-90→12-06 | 25,4 | | 3755-G | | | | |
| | 40 - 50 (FRONT DRUM) | 03-69→07-80 | 25,4 | | 3851-G | | | | |
| | 40 - 60 (FRONT DRUM) | 08-80→03-92 | 25,4 | | 4127-G | | | | |
| | 80 (RUBBER CUP TYPE) | 01-90→12-06 | 28,6 | | 3785-G | | | | |
| | 70 3.0TD (RUBBER CUP TYPE) | 11-84→08-01 | | | | | | | |
| | 70 EXCEPT 3.0TD (RUBBER SEAL TYPE) | 11-90→08-01 | 28,6 | | 3849-G | | | | |
| | 70 3.4D | 11-84→08-01 | 31,8 | | 3799-G | | | | |
| | 40 | 08-80→04-86 | 31,8 | | 3883-G | | | | |
| | 40 - 60 - 70 | 08-80→08-01 | 34 | SUMITOMO | 3827-G | 10674 | P-432801 | 2 28,6 | |
| | | | | | | | P-342801 | 2 28,6 | |
| | 70 | 11-84→08-01 | 43 | SUMITOMO | 3838-G | 10612 | P-422801 | 4 28,5 | |
| | 100 4.7 V8 | 01-98→08-07 | 43 | SUMITOMO | 6106-G | 11742 | P-483102 | 2 31,5 | |
| | | | | | | | P-433103 | 2 31,5 | |
| | 120 - PRADO | 01-05→ | 45 | SUMITOMO | 4463-G | 10803 | P-453102 | 4 31,5 | |
| | 90 | 04-96→09-02 | | | | | P-453102 | 4 31,5 | |
| | 80 | 01-90→12-06 | | | | 10807 | P-452901 | 4 29 | |
| | 100 | 01-98→08-07 | 45 | SUMITOMO | 4712-G | 10802 | P-513101 | 2 31,5 | |
| | | | | | | | P-453102 | 2 31,5 | |
| | 120 - PRADO | 01-02→01-05 | 45 | SUMITOMO | 6004-G | 10812 | P-453102 | 4 31,5 | |
| | PRADO | 04-96→ | 48 | SUMITOMO | 6176-G | 11790 | P-483101 | 4 31,5 | |
| | 200 4.5 D - 4.7 | 08-07→ | 51 | SUMITOMO | 6114-G | 11816 | P-513101 | 4 31,5 | |
| | 40 - 60 - 70 - 80 - 90 - 100 | 08-80→08-07 | 22,2 | | 3800-G | | | | |
| | 60 - 70 | 08-80→08-01 | 23,8 | | 3814-G | | | | |
| | 40 - 50 | 01-75→04-86 | 23,8 | | 4169-G | | | | |
| | 70 | 11-84→08-01 | 25,4 | | 3781-G | | | | |
| | 40 - 3.4D - 4.0D | 08-80→04-86 | 28,6 | | 3815-G | | | | |
| | 40 EXCEPT 3.4D - 4.0D | 08-80→04-86 | 28,6 | | 4181-G | | | | |
| | 200 | 08-07→ | 45 | SUMITOMO | 6105-G | 11297 | P-455304 | 1 53 | |
| | 120 | 09-02→ | | | | 11773 | P-454903 | 1 49 | |
| | 70 - 80 - 90 - 120 | 01-90→ | 48 | SUMITOMO | 4468-G | 10655 | P-484803 | 1 48,5 | |
| | 100 4.2 - 4.7 | 01-98→08-07 | 48 | SUMITOMO | 4939-G | 10830 | P-485202 | 1 52,8 | |
| | 120 | 09-02→ | 9 | SUMITOMO | 30052-G | | | | |
| | 70 2.4TD (4WD) | 11-84→08-01 | 15,9 | | 3738-G | | | | |
| | 70 - 80 - 90 | 11-84→09-02 | 15,9 | | 3759-G | | | | |
| | 70 | 11-84→08-01 | 19 | | 3879-G | | | | |
| | 80 | 01-90→12-06 | 19 | | 4538-G | | | | |
| | 80 | 01-90→12-06 | 20,6 | | 10243 | | | | |
| | 40 | 08-80→04-86 | 20,6 | | 3782-G | | | | |
| | 80 | 01-90→12-06 | 20,6 | | 3786-G | | | | |
| | 60 - 70 | 08-80→08-01 | 20,6 | | 3798-G | | | | |
| | 60 | 08-80→03-92 | 22,2 | | 3881-G | | | | |
| | 70 3.4TD | 11-84→08-01 | 22,2 | | 4238-G | | | | |
| | 60 - 70 | 08-80→08-01 | 23,8 | | 3808-G | | | | |
| | 40 | 08-80→04-86 | 23,8 | | 3880-G | | | | |



Master Cylinder



Front Caliper



Front Wheel Cylinder



Clutch Master Cylinder



Front Caliper Guides



Pressure Regulating Valve



Rear Caliper



Rear Wheel Cylinder



Clutch Slave Cylinder



Rear Caliper Guides

Ø
(mm.)

VERSION



TOYOTA

17 of 21

LITEACE

| | | | | | | | | | |
|--|---------------------------|-------------|------|---------|----------------|-------|----------|---|------|
| | M 20 - M 30 (FRONT DISC) | 10-79→04-98 | 20,6 | | 3884-G | | | | |
| | M 20 1.3 (FRONT DRUM) | 10-79→08-85 | 22,2 | | 3742-G | | | | |
| | M 30 - R 20 | 10-79→07-00 | 22,2 | | 3885-G | | | | |
| | M 20 1.8D | 10-79→08-85 | 23,8 | TOKICO | 3766-G | | | | |
| | M 20 - M 30 - R 20 | 10-79→04-98 | 23,8 | | 3811-G | | | | |
| | M 20 - M 30 - R 20 - R 30 | 10-79→07-00 | 43 | AKEBONO | 4458-G | 10697 | P-434501 | 2 | 44,8 |
| | M 30 | 09-85→04-98 | 57 | AKEBONO | 3730-G | 11435 | P-574503 | 1 | 45,5 |
| | R20 | 01-91→01-95 | 60 | AKEBONO | 4505-G | 10983 | P-604601 | 1 | 46,6 |
| | M 30 2.0D | 09-85→04-98 | 60 | | 6160-G | | | | |
| | M 20 - M 30 - R 20 - R 30 | 10-79→07-00 | 13 | AKEBONO | 30101-G | | | | |
| | M 20 | 10-79→08-85 | 19 | | 10236-G | | | | |
| | M 20 | 10-79→08-85 | 20,6 | | 10237-G | | | | |
| | M 30 1.5 | 09-85→04-98 | 15,9 | | 3738-G | | | | |
| | M 20 - M 30 | 10-79→04-98 | 20,6 | | 10243 | | | | |
| | M 20 - M 30 | 10-79→04-98 | 22,2 | | 3794-G | | | | |

MR2

| | | | | | | | | | |
|--|--------------------------|-------------|----|---------|----------------|-------|----------|---|------|
| | II SERIES (W20) | 12-89→08-99 | 36 | AISIN | 4439-G | 10680 | P-364501 | 2 | 45,8 |
| | I SERIES (W11) | 11-84→12-89 | 51 | TOYOTA | 3845-G | 10865 | P-514502 | 1 | 45 |
| | III SERIES (W30) 1.8 16V | 12-99→09-05 | 51 | AISIN | 4563-G | 10870 | P-514501 | 1 | 45 |
| | III SERIES (W30) 1.8 16V | 12-99→09-05 | 9 | AISIN | 30051-G | | | | |
| | II SERIES (W20) | 12-89→08-99 | 10 | AISIN | 30021-G | | | | |
| | I SERIES (W11)1600 GT | 11-84→12-89 | 36 | AKEBONO | 3888-G | 11608 | P-364401 | 1 | 44 |
| | I SERIES (W11) 1600 GT | 11-84→12-89 | 36 | AKEBONO | 6152-G | | | | |
| | II SERIES (W20) 2000 | 12-89→12-91 | 41 | AKEBONO | 4453-G | 11692 | P-414601 | 1 | 46,5 |
| | | | | | | 11695 | K-414601 | 1 | 46,5 |
| | II SERIES (W20) 2000 | 12-91→08-99 | 43 | AKEBONO | 4641-G | 11738 | P-434602 | 1 | 46 |
| | | | | | | 11743 | K-434602 | 1 | 46 |
| | III SERIES (W30) 1.8 16V | 12-99→09-05 | 45 | AKEBONO | 4772-G | 11755 | P-444602 | 1 | 46 |
| | | | | | | 11762 | K-444602 | 1 | 46 |
| | II SERIES (W20) 2000 | 12-91→08-99 | 13 | AKEBONO | 30101-G | | | | |

PASEO

| | | | | | | | | | |
|--|--------------|--------|------|--------|---------------|-------|----------|---|------|
| | EL 54 (-ABS) | 08-95→ | 48 | TOYOTA | 3859-G | 10826 | P-484403 | 1 | 44,5 |
| | ALL TYPES | 01-91→ | 17,5 | | 3812-G | | | | |
| | ALL TYPES | | 15,9 | | 3759-G | | | | |
| | ALL TYPES | | 20,6 | | 10243 | | | | |

PIC-NIC

| | | | | | | | | | |
|--|------------------|-------------|----|---------|----------------|-------|----------|---|----|
| | (XM10) 2.0 - 2.2 | 05-96→12-01 | 57 | AKEBONO | 4260-G | 10670 | P-574901 | 1 | 49 |
| | (XM10) 2.0 - 2.2 | 05-96→12-01 | 10 | AKEBONO | 30021-G | | | | |



Master Cylinder



Front Caliper



Front Wheel Cylinder



Clutch Master Cylinder



Front Caliper Guides



Pressure Regulating Valve



Rear Caliper



Rear Wheel Cylinder



Clutch Slave Cylinder



Rear Caliper Guides

Ø
(mm.)

VERSION



TOYOTA

18 of 21

PREVIA

| | | | | | | | | | |
|--|-----------------|-------------|----|---------|----------------|-------|----------|---|------|
| | ALL TYPES | 05-90→07-96 | 45 | AKEBONO | 4462-G | 10800 | P-444502 | 2 | 45,5 |
| | ALL TYPES | 08-96→08-00 | 60 | AKEBONO | 4505-G | 10983 | P-604601 | 1 | 46,6 |
| | ALL TYPES | 10-05→ | 63 | TOYOTA | 6335-G | 11837 | P-635301 | 1 | 53 |
| | | 04-03→03-07 | | | | 11482 | P-634802 | 1 | 48 |
| | | 02-00→04-03 | | | | 11480 | P-634801 | 1 | 48 |
| | (ACR3) 2.4i 16V | 02-00→04-03 | 64 | AKEBONO | 4766-G | 11484 | P-634801 | 1 | 48 |
| | (ACR3) 2.4i 16V | 02-00→04-03 | 9 | AKEBONO | 30007-G | | | | |
| | ALL TYPES | 10-05→ | 38 | BOSCH | 4859-G | 10747 | P-384802 | 1 | 48,5 |
| | ALL TYPES | 08-00→ | 43 | TOYOTA | 4562-G | 10788 | P-434502 | 1 | 45 |
| | ALL TYPES | 05-90→08-00 | 43 | TOYOTA | 4708-G | 10789 | P-434502 | 1 | 45 |
| | ALL TYPES | 08-00→ | 9 | TOYOTA | 30051-G | | | | |

PRIUS

| | | | | | | | | | |
|--|--------------------|-------------|----|----------|----------------|-------|----------|---|------|
| | (NHW20) 1.5 | 08-03→03-09 | 54 | ADVICS | 6302-G | 11401 | P-544502 | 1 | 45,5 |
| | (NHW11) 1.5 HYBRID | 05-00→ | 57 | AISIN | 4606-G | 11426 | P-574501 | 1 | 45,5 |
| | (ZVW4) 1.8 | 05-11→ | 57 | SUMITOMO | 6311-G | 11433 | P-574401 | 1 | 44 |
| | (NHW11 - NHW20) | 05-00→ | 9 | AISIN | 30051-G | | | | |
| | (ZVW4) 1.8 | 05-11→ | 11 | SUMITOMO | 30164-G | | | | |
| | (NHW11) 1.5 | 05-00→ | 34 | SUMITOMO | 4954-G | 11542 | P-344704 | 1 | 47,5 |
| | (NHW11) 1.5 | 05-00→ | 35 | AISIN | 4835-G | 11581 | P-354403 | 1 | 44 |
| | (NHW20) 1.5 WTi | 08-03→ | 36 | SUMITOMO | 6079-G | 11598 | P-364702 | 1 | 47,5 |
| | (ZVW3) 1.8 HYBRID | 04-09→ | 38 | TOKICO | 6236-G | 11141 | P-384601 | 1 | 46,8 |
| | | | | | | 11650 | K-384601 | 1 | 46,8 |
| | (NHW20) 1.5 WTi | 08-03→ | 20 | SUMITOMO | 30119-G | | | | |

RAV-4

| | | | | | | | | | |
|--|--------------------------|-------------|------|----------|----------------|-------|----------|---|------|
| | II SERIES | 05-00→11-05 | 20,6 | AISIN | 4905-G | | | | |
| | I - II - III SERIES | 04-94→ | 22,2 | | 4524-G | | | | |
| | I SERIES | 04-94→08-00 | 54 | SUMITOMO | 4387-G | 10883 | P-544902 | 1 | 49 |
| | II SERIES | 05-00→11-05 | 60,5 | SUMITOMO | 4967-G | 10990 | P-605202 | 1 | 52,5 |
| | III SERIES | 11-05→ | 63 | AISIN | 6175-G | 11479 | P-634901 | 1 | 49 |
| | I SERIES | 04-94→08-00 | 10 | SUMITOMO | 30021-G | | | | |
| | II SERIES | 05-00→11-05 | 10 | SUMITOMO | 30064-G | | | | |
| | IV SERIES | 12-12→ | 11 | AKEBONO | 30164-G | | | | |
| | I SERIES 2.0 (4WD) | 04-94→08-00 | 17,5 | | 4515-G | | | | |
| | II SERIES | 05-00→11-05 | 32 | SUMITOMO | 4576-G | 11527 | P-324701 | 1 | 47,5 |
| | III SERIES | 11-05→ | 38 | ADVICS | 6166-G | 11138 | P-384401 | 1 | 44,5 |
| | III SERIES | 11-05→ | 9 | ADVICS | 30051-G | | | | |
| | II SERIES | 05-00→11-05 | 20 | SUMITOMO | 30119-G | | | | |
| | I - II SERIES | 04-94→11-05 | 15,9 | AISIN | 6034-G | | | | |
| | II SERIES 2.0 D-4D (4WD) | 05-00→11-05 | 20,6 | | 4540-G | | | | |
| | I SERIES | 04-94→08-00 | 23,8 | | 4868-G | | | | |

SOLANA

| | | | | | | | | | |
|--|-----------|-------------|----|-------|----------------|--|--|--|--|
| | ALL TYPES | 06-98→08-99 | 13 | AISIN | 30165-G | | | | |
|--|-----------|-------------|----|-------|----------------|--|--|--|--|

SOLUNA VIOS

| | | | | | | | | | |
|--|-----------|--------|----|--|---------------|--|--|--|--|
| | ALL TYPES | 07-02→ | 10 | | 6196-G | | | | |
|--|-----------|--------|----|--|---------------|--|--|--|--|



Master Cylinder



Front Caliper



Front Wheel Cylinder



Clutch Master Cylinder



Front Caliper Guides



Pressure Regulating Valve



Rear Caliper



Rear Wheel Cylinder



Clutch Slave Cylinder



Rear Caliper Guides



∅
(mm.)

VERSION



TOYOTA

19 of 21

STARLET

| | | | | | | | | | |
|--|----------------------|-------------|------|--------|---------------|-------|----------|---|------|
| | 70 SERIES | 10-84→12-89 | 19 | | 4117-G | | | | |
| | 80 SERIES | 12-89→03-96 | 19 | | 4577-G | | | | |
| | 80 SERIES | 12-89→03-96 | 20,6 | | 4522-G | | | | |
| | 90 SERIES (-ABS) | 04-96→10-99 | 48 | TOYOTA | 3859-G | 10826 | P-484403 | 1 | 44,5 |
| | 70 SERIES (-ABS) | 10-84→12-89 | 48 | | 4281-G | | | | |
| | 60 - 70 SERIES | 02-78→12-89 | 48 | TOYOTA | 4285-G | | | | |
| | 40 SERIES 1000 | 11-74→08-78 | 48 | ASCO | 4610-G | | | | |
| | 80 SERIES 1.3 (-ABS) | 12-89→03-96 | 48 | TOYOTA | 4716-G | 11341 | P-484503 | 1 | 45,5 |
| | 80 - 90 SERIES (ABS) | 12-89→03-99 | 51 | TOYOTA | 3845-G | 10865 | P-514502 | 1 | 45 |
| | 70 SERIES | 10-84→12-89 | 17,5 | | 3812-G | | | | |
| | 60 SERIES | 02-78→12-84 | 19 | ATE | 4851-G | | | | |
| | 60 SERIES | 02-78→12-84 | 20,6 | | 3777-G | | | | |
| | 70 SERIES | 10-84→12-89 | 15,9 | | 3738-G | | | | |
| | 70 - 80 SERIES | 10-84→12-89 | 19 | | 10241 | | | | |
| | 70 - 80 SERIES | 10-84→03-96 | 19 | | 3575-G | | | | |
| | 60 - 70 - 80 SERIES | 02-78→03-96 | 20,6 | | 10243 | | | | |

STOUT

| | | | | | | | | | |
|--|----------------------------|-------------|------|--|---------------|--|--|--|--|
| | ALL TYPES (DOBLE CIRCUIT) | 01-79→01-86 | 27 | | 3852-G | | | | |
| | ALL TYPES (SIMPLE CIRCUIT) | 01-79→01-86 | 27 | | 3886-G | | | | |
| | ALL TYPES | | 28,6 | | 4162-G | | | | |
| | ALL TYPES | | 28,6 | | 4181-G | | | | |
| | ALL TYPES | 01-87→ | 15,9 | | 3738-G | | | | |
| | ALL TYPES | 01-78→01-79 | 19 | | 3879-G | | | | |
| | ALL TYPES | 01-68→01-79 | 15,9 | | 3868-G | | | | |
| | ALL TYPES | 01-81→01-86 | 19 | | 3575-G | | | | |
| | ALL TYPES | 01-77→01-81 | 19 | | 4164-G | | | | |
| | ALL TYPES | 01-87→ | 20,6 | | 10243 | | | | |

SUPRA

| | | | | | | | | | |
|--|---------------------|-------------|----|----------|----------------|-------|----------|---|------|
| | A80 SERIES (6 GEAR) | 05-93→08-02 | 43 | SUMITOMO | 3838-G | 11248 | P-433101 | 4 | 31 |
| | A80 SERIES (5 GEAR) | 05-93→08-02 | 45 | AKEBONO | 4620-G | 10805 | P-445001 | 2 | 50,8 |
| | A60 SERIES | 08-81→12-85 | 57 | AKEBONO | 3730-G | 11435 | P-574503 | 1 | 45,5 |
| | A70 SERIES 3.0 | 01-86→05-93 | 60 | AKEBONO | 4596-G | | | | |
| | A60 SERIES | 08-81→12-85 | 13 | AKEBONO | 30101-G | | | | |
| | A40 SERIES | 01-79→08-81 | 38 | AKEBONO | 4441-G | | | | |
| | A60 SERIES | 08-81→12-85 | 38 | AKEBONO | 4444-G | 11130 | P-384602 | 1 | 46 |
| | A70 SERIES 3.0 | 01-86→05-93 | 38 | AKEBONO | 4618-G | 11627 | P-384602 | 1 | 46 |
| | A80 SERIES | 05-93→08-02 | 40 | SUMITOMO | 4873-G | 11682 | P-403101 | 2 | 31,5 |
| | A70 SERIES 3.0 | 01-86→05-93 | 13 | AKEBONO | 30131-G | | | | |



Master Cylinder



Front Caliper



Front Wheel Cylinder



Clutch Master Cylinder



Front Caliper Guides



Pressure Regulating Valve



Rear Caliper



Rear Wheel Cylinder



Clutch Slave Cylinder



Rear Caliper Guides



∅
(mm.)

VERSION



TOYOTA

20 of 21

TERCEL

| | | | | | | | | | | |
|--|-----------|-------------|------|--|-----|--|--|--|--|---------------|
| | ALL TYPES | | 19 | | | | | | | 3864-G |
| | ALL TYPES | | 20,6 | | | | | | | 3887-G |
| | ALL TYPES | 01-82→ | 48 | | | | | | | 3859-G |
| | ALL TYPES | 01-79→01-82 | 48 | | | | | | | 4285-G |
| | ALL TYPES | | 15,9 | | | | | | | 3889-G |
| | ALL TYPES | | 17,5 | | | | | | | 3812-G |
| | 1.5 | 01-82→01-88 | 19 | | ATE | | | | | 4851-G |

TOYOACE

| | | | | | | | | | | |
|--|------------------|-------------|----|--|--|--|--|--|--|---------------|
| | 2.0 - RY16 MODEL | 01-74→01-79 | 19 | | | | | | | 4370-G |
|--|------------------|-------------|----|--|--|--|--|--|--|---------------|

URBAN CRUISER

| | | | | | | | | | | |
|--|-----------------|--------|----|--------|----------------|-------|----------|---|------|--|
| | ALL TYPES (4WD) | 04-09→ | 60 | ADVICS | 6320-G | 11455 | P-604902 | 1 | 49 | |
| | ALL TYPES | 07-07→ | 34 | TOKICO | 6226-G | 11554 | P-334601 | 1 | 46,8 | |
| | | | | | | 11567 | K-334601 | 1 | 46,8 | |
| | ALL TYPES | 04-09→ | 38 | TOKICO | 6236-G | 11141 | P-384601 | 1 | 46,8 | |
| | | | | | | 11650 | K-384601 | 1 | 46,8 | |
| | ALL TYPES | 04-09→ | 10 | TOKICO | 30082-G | | | | | |

VERSO

| | | | | | | | | | | |
|--|-----------|--------|----|--------|----------------|-------|----------|---|------|--|
| | ALL TYPES | 04-09→ | 57 | BOSCH | 4643-G | 10949 | P-575304 | 1 | 53,6 | |
| | ALL TYPES | 04-09→ | 10 | BOSCH | 30014-G | | | | | |
| | ALL TYPES | 11-10→ | 11 | ADVICS | 30164-G | | | | | |
| | ALL TYPES | 11-10→ | 34 | TOKICO | 6226-G | 11567 | K-334601 | 1 | 46,8 | |
| | ALL TYPES | 04-09→ | 38 | BOSCH | 4859-G | 10747 | P-384802 | 1 | 48,5 | |



Master Cylinder



Front Caliper



Front Wheel Cylinder



Clutch Master Cylinder



Front Caliper Guides



Pressure Regulating Valve



Rear Caliper



Rear Wheel Cylinder



Clutch Slave Cylinder



Rear Caliper Guides



∅
(mm.)

VERSION



TOYOTA

21 of 21

YARIS

| | | | | | | | | | |
|--|---------------------------------------|-------------|-------|----------|----------------|-------|----------|---|------|
| | I SERIES (P10) (ABS) | 08-99→12-05 | 20,64 | TOYOTA | 6195-G | | | | |
| | I SERIES (P10) | 08-99→12-05 | 51 | AISIN | 4563-G | 10870 | P-514501 | 1 | 45 |
| | I SERIES (P10) VERSO | | | | | | P-514501 | 1 | 45 |
| | I SERIES (P10) (FRANCE) | 01-01→ | 51 | BOSCH | 4824-G | 10873 | P-514801 | 1 | 48 |
| | II - III SERIES (P90 - P130) | 08-05→ | 54 | ATE | 4318-G | 10890 | P-545502 | 1 | 55,5 |
| | II - III SERIES (P90 - P130) | 08-05→ | 54 | ATE | 6033-G | | | | |
| | II SERIES (P90) (JAPAN) | 08-05→ | 54 | AISIN | 6163-G | 11392 | P-544805 | 1 | 48 |
| | II - III SERIES (P90 - P130) (JAPAN) | 08-05→ | 57 | AISIN | 6310-G | 11442 | P-574803 | 1 | 48 |
| | I SERIES (P10) | 08-99→12-05 | 8 | BOSCH | 30045-G | | | | |
| | I SERIES (P10) | 08-99→12-05 | 9 | AISIN | 30051-G | | | | |
| | III SERIES (P130 - P150) | 12-10→ | 11 | AKEBONO | 30164-G | | | | |
| | I SERIES (P20) VERSO 1.3 | 08-99→12-05 | 17,5 | | 4567-G | | | | |
| | I SERIES (P20) VERSO | 08-99→12-05 | 19 | | 4568-G | | | | |
| | I SERIES (P10) | 08-99→12-05 | 30 | SUMITOMO | 4660-G | 11004 | P-304701 | 1 | 47,5 |
| | I SERIES (P20) VERSO | 08-99→12-05 | 32 | SUMITOMO | 4576-G | 11527 | P-324701 | 1 | 47,5 |
| | II - III SERIES (P90 - P130) (FRANCE) | 08-05→ | 34 | ATE | 4822-G | 10710 | P-345001 | 1 | 49,7 |
| | II SERIES (P90 - JAPAN) | 08-05→ | 34 | TOKICO | 6226-G | 11554 | P-334601 | 1 | 46,8 |
| | II SERIES (P90) (JAPAN) | 08-05→ | 38 | TOKICO | 6236-G | 11141 | P-384601 | 1 | 46,8 |
| | II SERIES (P90) (JAPAN) | 08-05→ | 10 | TOKICO | 30082-G | 11650 | K-384601 | 1 | 46,8 |
| | I SERIES (P20) VERSO | 08-99→12-05 | 20 | SUMITOMO | 30119-G | | | | |
| | I SERIES (P10) | 08-99→12-05 | 15,9 | | 3759-G | | | | |
| | I SERIES (P10) 1.3 | 08-99→12-05 | 19 | | 4541-G | | | | |
| | I SERIES (P10) 1.3 | 08-99→12-05 | 20,6 | | 4540-G | | | | |



Master Cylinder



Front Caliper



Front Wheel Cylinder



Clutch Master Cylinder



Front Caliper Guides



Pressure Regulating Valve



Rear Caliper



Rear Wheel Cylinder



Clutch Slave Cylinder



Rear Caliper Guides



∅
(mm.)

VERSION



U.M.M.

1 of 1

JABATO

| | | | | | |
|--|--|--------|------|----------------|----------------|
| | REKORD FRANCE | | 25,4 | | 10156 |
| | ALL TYPES | | 25,4 | BEDNIX - BOSCH | 10180-G |
| | ALL TYPES (SIMPLE CIRCUIT) (KIT COMPLET) | | 25,4 | BEDNIX - BOSCH | 10195 |
| | ALL TYPES | | 25,4 | | 3083-G |
| | ALL TYPES | →01-88 | 28,6 | BEDNIX - BOSCH | 10181-G |
| | ALL TYPES | 01-88→ | 40 | BEDNIX - BOSCH | 3466-G |
| | ALL TYPES | | 23,8 | BEDNIX - BOSCH | 10182-G |
| | ALL TYPES | | 25,4 | TAVISA | 10221-G |
| | ALL TYPES | | 19 | BEDNIX - BOSCH | 10153 |
| | ALL TYPES | | 19 | BEDNIX - BOSCH | 3035-G |
| | ALL TYPES | | 28,6 | BEDNIX - BOSCH | 10117 |
| | ALL TYPES | | 28,6 | BEDNIX - BOSCH | 3036-G |



Master Cylinder



Front Caliper



Front Wheel Cylinder



Clutch Master Cylinder



Front Caliper Guides



Pressure Regulating Valve



Rear Caliper



Rear Wheel Cylinder



Clutch Slave Cylinder



Rear Caliper Guides

Ø
(mm.)

VERSION

**VOLKSWAGEN**

1 of 19

1.200 - 1.300 - 1.500 - 1.600 BEETLE

| | | | | | | | | | |
|--|----------------------------|-------------|------|--------|---------------|-------|----------|---|------|
| | ALL TYPES (SIMPLE CIRCUIT) | 01-64→01-68 | 17,5 | ATE | 4339-G | | | | |
| | KARMAN | 01-64-01-74 | 17,5 | | 6359-G | | | | |
| | 1.200 (SIMPLE CIRCUIT) | 01-54→01-64 | 19 | ATE | 3390-G | | | | |
| | 1.500 (SIMPLE CIRCUIT) | 01-70→ | 19 | ATE | 3968-G | | | | |
| | ALL TYPES (DOBLE CIRCUIT) | 01-68→ | 19 | ATE | 4338-G | | | | |
| | TYPE 1 | 12-47→12-53 | 19 | ATE | 4346-G | | | | |
| | 1.2 - 1.3 | 01-64→01-74 | 22,2 | ATE | 4393-G | | | | |
| | 1302 - 1303 | 01-70→01-75 | 23,8 | ATE | 4394-G | | | | |
| | ALL TYPES | 01-70→ | 40 | LUCAS | 4592-G | 11666 | P-402903 | 2 | 29 |
| | 1300 BRAZIL MODEL | 01-67→ | 40 | VARGAS | 4873-G | 11665 | P-402903 | 2 | 29 |
| | 1.500 - 1.600 | | 42 | ATE | 3370-G | 10777 | P-422901 | 2 | 29,5 |
| | ALL TYPES | 01-67→ | 17,5 | | 4327-G | | | | |
| | ALL TYPES | 07-64→12-70 | 19 | | 4326-G | | | | |
| | 1.5 - 1.6 | 01-62→01-73 | 22,2 | ATE | 4393-G | | | | |
| | 1500 | 01-64→01-65 | 23,8 | ATE | 4394-G | | | | |
| | ALL TYPES | 01-67→01-74 | 40 | ATE | 4325-G | 11679 | P-403003 | 2 | 30 |

411 - 412

| | | | | | | | | | |
|--|-----------------------|-------------|----|-----|---------------|--|--|--|--|
| | ALL TYPES (2 PISTONS) | 01-72→01-75 | 42 | ATE | 4970-G | | | | |
|--|-----------------------|-------------|----|-----|---------------|--|--|--|--|

AMAROK

| | | | | | | | | | |
|--|-----------|--------|----|-------|----------------|-------|----------|---|------|
| | ALL TYPES | 09-10→ | 48 | BOSCH | 6286-G | 10847 | P-485203 | 2 | 52,5 |
| | ALL TYPES | 09-10→ | 12 | BOSCH | 30093-G | | | | |

BORA

| | | | | | | | | | |
|--|------------------------------------|-------------|------|----------------|----------------|-------|----------|---|------|
| | (1J) SERIES (NO STABILITY CONTROL) | 10-98→09-05 | 23,8 | BEDNIX - BOSCH | 4132-G | | | | |
| | (1J) SERIES (ABS) | 10-98→09-05 | 23,8 | ATE | 4806-G | | | | |
| | (1J) SERIES (SOFT BOOT) | 10-98→09-05 | 54 | ATE | 3660-G | 10885 | P-545801 | 1 | 58,5 |
| | (1J) SERIES 2.8 V6 4WD | 10-98→09-05 | 38 | LUCAS | 4442-G | 10520 | P-385101 | 1 | 51 |
| | | | | | | 11651 | K-385101 | 1 | 51 |
| | (1J) SERIES | 10-98→09-05 | 41 | LUCAS | 4289-G | 10610 | P-415101 | 1 | 51 |
| | | | | | | 11696 | K-415101 | 1 | 51 |
| | (1J) SERIES | 10-98→09-05 | 41 | LUCAS | 6031-G | | | | |
| | (1J) SERIES | 10-98→09-05 | 8 | LUCAS | 30050-G | | | | |
| | (1J) SERIES (DISC 9MM) (TICKNESS) | 10-98→09-05 | 10 | LUCAS | 30041-G | | | | |
| | (1J) SERIES | 10-98→09-05 | 19 | FAG | 4253-G | | | | |
| | (1J) SERIES | 10-98→09-05 | 19 | SACHS | 4994-G | | | | |
| | (1J) SERIES | 10-98→09-05 | 23,8 | FAG | 4251-G | | | | |



Master Cylinder



Front Caliper



Front Wheel Cylinder



Clutch Master Cylinder



Front Caliper Guides



Pressure Regulating Valve



Rear Caliper



Rear Wheel Cylinder



Clutch Slave Cylinder



Rear Caliper Guides

Ø
(mm.)

VERSION

**VOLKSWAGEN**

2 of 19

CADDY

| | | | | | | | | | |
|--|--|-------------|------|----------------|----------------|-------|------------|---|------|
| | I SERIES (14) | 09-79→07-92 | 20,6 | ATE - FAG | 3157-G | | | | |
| | II SERIES (9K) | 11-95→01-04 | 20,6 | BEDNIX - BOSCH | 3692-G | | | | |
| | I SERIES (14) | 01-91→01-93 | 20,6 | FAG | 3986-G | | | | |
| | II SERIES (9K) (CAST IRON BODY) | 11-95→01-04 | 22,2 | BEDNIX - BOSCH | 3361-G | | | | |
| | II SERIES (9K) (ALUMINIUM BODY) | 11-95→01-04 | 22,2 | ATE | 3475-G | | | | |
| | II SERIES (9K) | 11-95→01-04 | 22,2 | FAG | 3716-G | | | | |
| | I - II - III SERIES (14 - 9K - 2K) (ABS) | 09-79→ | 23,8 | ATE | 4806-G | | | | |
| | I SERIES (14) 82→ CH.14D010000 (HARD BOOT) | 09-79→07-92 | 48 | ATE | 10280-G | | | | |
| | I SERIES (14) 82→ CH.14D010000 (HARD BOOT) | 09-79→07-92 | 48 | ATE | 3499-G | 10840 | P-485503 | 1 | 55 |
| | I SERIES (14) (SOFT BOOT) | 09-79→07-92 | 48 | ATE - BENDIX | 4293-G | 10618 | P-485501 | 1 | 55,2 |
| | II SERIES (9K) | 11-95→01-04 | 54 | LUCAS | 3220-G | 10570 | P-545301 | 1 | 53,7 |
| | III SERIES (2K) (SOFT BOOT) | 03-04→ | 54 | ATE | 3660-G | 10885 | P-545801 | 1 | 58,5 |
| | III SERIES (2K) (HARD BOOT) | 03-04→ | 54 | ATE | 4318-G | 10890 | P-545502 | 1 | 55,5 |
| | III SERIES (2K) | 03-04→ | 54 | ATE | 6033-G | | | | |
| | II SERIES (9K) | 11-95→01-04 | 8 | LUCAS | 30001-G | | | | |
| | I SERIES (14) (DISC 12-18MM VENTILATED) | 09-79→07-92 | 12 | ATE | 30025-G | | | | |
| | I SERIES (14) | 09-79→07-92 | 17,5 | ATE | 3162-G | | | | |
| | I SERIES (14) | 09-79→07-92 | 17,5 | FAG | 3519-G | | | | |
| | I SERIES (14) (ALUMINIUM BODY) | 09-79→07-92 | 19 | FAG | 3479-G | | | | |
| | I SERIES (14) (CAST IRON BODY) | 09-79→07-92 | 19 | FAG | 3690-G | | | | |
| | II SERIES (9K) | 11-95→01-04 | 20,6 | FAG | 3560-G | | | | |
| | III SERIES (2K) DISC 272 MM | 03-04→ | 38 | BOSCH | 4858-G | 10631 | P-384901 | 1 | 49 |
| | | | | | | 11617 | K-384901-R | 1 | 49 |
| | | | | | | 11616 | K-384901-L | 1 | 49 |
| | III SERIES (2K) | 03-04→ | 41 | LUCAS | 4289-G | 10610 | P-415101 | 1 | 51 |
| | | | | | | 11696 | K-415101 | 1 | 51 |
| | III SERIES (2K) | 03-04→ | 41 | LUCAS | 6031-G | | | | |
| | III - IV SERIES (2K - SA) | 03-04→ | 8 | LUCAS | 30004-G | | | | |

CARAVELLE

| | | | | | | | | | |
|--|-----------|-------------|----|-------|----------------|--|--|--|--|
| | ALL TYPES | 09-90→04-96 | 10 | LUCAS | 30072-G | | | | |
|--|-----------|-------------|----|-------|----------------|--|--|--|--|

CC (358 SERIES) 11-11→

| | | | | | | | | | |
|--|---------------------------|--------|----|-------|----------------|-------|----------|---|------|
| | ALL TYPES (DISC 312X25MM) | 11-11→ | 54 | ATE | 4318-G | 10890 | P-545502 | 1 | 55,5 |
| | ALL TYPES (DISC 340X30MM) | 11-11→ | 60 | TRW | 6178-G | | | | |
| | ALL TYPES (DISC 282MM) | 11-11→ | 41 | TRW | 6085-G | 11207 | P-415201 | 1 | 52 |
| | ALL TYPES | 11-11→ | 8 | LUCAS | 30004-G | | | | |



Master Cylinder



Front Caliper



Front Wheel Cylinder



Clutch Master Cylinder



Front Caliper Guides



Pressure Regulating Valve



Rear Caliper



Rear Wheel Cylinder



Clutch Slave Cylinder



Rear Caliper Guides

Ø
(mm.)

VERSION

**VOLKSWAGEN**

3 of 19

CORRADO

| | | | | | | | | | |
|--|----------------------------|-------------|------|----------------|----------------|-------|----------|---|------|
| | ALL TYPES (CAST IRON BODY) | 09-88→12-95 | 22,2 | BEDNIX - BOSCH | 3361-G | | | | |
| | ALL TYPES (ALUMINIUM BODY) | 09-88→12-95 | 22,2 | ATE | 3475-G | | | | |
| | ALL TYPES | 09-88→12-95 | 22,2 | FAG | 3716-G | | | | |
| | ALL TYPES | 09-88→12-95 | 54 | LUCAS | 3220-G | 10570 | P-545301 | 1 | 53,7 |
| | ALL TYPES | 09-88→12-95 | 8 | LUCAS | 30003-G | | | | |
| | ALL TYPES | 09-88→12-95 | 38 | LUCAS | 3247-G | 10521 | P-385101 | 1 | 51 |
| | | | | | | 11652 | K-385101 | 1 | 51 |
| | ALL TYPES | 09-88→12-95 | 38 | LUCAS | 4981-G | | | | |
| | ALL TYPES | 09-88→12-95 | 8 | LUCAS | 30001-G | | | | |
| | ALL TYPES | 01-93→12-95 | 19 | ATE | 3477-G | | | | |
| | ALL TYPES | 01-88→12-92 | 19 | ATE | 3691-G | | | | |
| | ALL TYPES | 09-88→12-95 | 23 | ATE - FAG | 3478-G | | | | |

CRAFTER

| | | | | | | | | | |
|--|----------------------|--------|------|--------|----------------|-------|----------|---|------|
| | ALL TYPES | 04-06→ | 25,4 | BOSCH | 6211-G | | | | |
| | 30 - 35 - 30 - 50 | 04-06→ | 48 | BREMBO | 6052-G | 11000 | P-485901 | 2 | 59,5 |
| | 30 - 50 2.5 TDI | 04-06→ | 52 | BREMBO | 4947-G | 11362 | P-526001 | 2 | 60,5 |
| | ALL TYPES | 04-06→ | 18 | BREMBO | 30035-G | | | | |
| | 30 - 50 (DISC 303MM) | 04-06→ | 48 | BOSCH | 6156-G | 11806 | P-486001 | 2 | 60,5 |
| | ALL TYPES | 04-06→ | 51 | BOSCH | 6084-G | 11814 | P-516001 | 1 | 60,5 |
| | ALL TYPES | 04-06→ | 10 | BOSCH | 30057-G | | | | |
| | ALL TYPES | 04-06→ | 12 | BOSCH | 30093-G | | | | |
| | ALL TYPES | 04-06→ | 19 | | 6159-G | | | | |

DERBY

| | | | | | | | | | |
|--|-----------------------------|-------------|----|-----|----------------|--|--|--|--|
| | 1.0 - 1.1 - 1.3 (DISC 10MM) | 02-77→12-84 | 12 | ATE | 30026-G | | | | |
|--|-----------------------------|-------------|----|-----|----------------|--|--|--|--|

EOS

| | | | | | | | | | |
|--|-----------|--------|----|-------|----------------|-------|----------|---|------|
| | ALL TYPES | 03-06→ | 54 | ATE | 4318-G | 10890 | P-545502 | 1 | 55,5 |
| | ALL TYPES | 03-06→ | 54 | ATE | 6033-G | | | | |
| | 3.2 V6 | 03-06→ | 57 | ATE | 4768-G | 10932 | P-575503 | 1 | 55,5 |
| | ALL TYPES | 03-06→ | 38 | LUCAS | 4442-G | 10520 | P-385101 | 1 | 51 |
| | | | | | | 11651 | K-385101 | 1 | 51 |
| | 3.2 V6 | 03-06→ | 41 | LUCAS | 4289-G | 10610 | P-415101 | 1 | 51 |
| | | | | | | 11696 | K-415101 | 1 | 51 |
| | ALL TYPES | 03-06→ | 8 | LUCAS | 30004-G | | | | |
| | ALL TYPES | 03-06→ | 19 | SACHS | 4994-G | | | | |

FOX

| | | | | | | | | | |
|--|-----------------------|--------|-------|----------------|---------------|-------|----------|---|------|
| | 1.4 - 1.4TDI | 04-05→ | 20,6 | LUCAS | 4788-G | | | | |
| | ALL TYPES (DISC 18MM) | 04-05→ | 48 | BEDNIX - BOSCH | 4293-G | 10618 | P-485501 | 1 | 55,2 |
| | ALL TYPES | 04-05→ | 54 | ATE | 3660-G | 10885 | P-545801 | 1 | 58,5 |
| | ALL TYPES | 04-05→ | 17,46 | FAG | 4862-G | | | | |
| | ALL TYPES | 04-05→ | 19 | SACHS | 4994-G | | | | |



Master Cylinder



Front Caliper



Front Wheel Cylinder



Clutch Master Cylinder



Front Caliper Guides



Pressure Regulating Valve



Rear Caliper



Rear Wheel Cylinder



Clutch Slave Cylinder



Rear Caliper Guides



Ø
(mm.)

VERSION



VOLKSWAGEN

4 of 19

GOLF (I SERIES) 04-74→12-85

| | | | | | | | | | |
|--|--|-------------|------|-----------|----------------|-------|----------|---|------|
| | ALL TYPES (-SERVO) | 04-74→12-85 | 17,5 | ATE | 3164-G | | | | |
| | ALL TYPES (-SERVO) | 04-74→12-85 | 17,5 | FAG | 3191-G | | | | |
| | ALL TYPES (SERVO) | 04-74→12-85 | 20,6 | ATE - FAG | 3157-G | | | | |
| | 1.1 - 1.5 - 1.6 (DISC 12MM) | 04-74→12-85 | 44 | ATE | 3163-G | 11754 | P-445301 | 1 | 53 |
| | 1.1 - 1.3 - 1.5D - 1.6D - CABRIO 1.5 - 1.6 (DISC 10MM) | | | | | 11275 | P-444601 | 1 | 46,5 |
| | ALL TYPES EXCEPT 1.8 (DISC 12MM) | 04-74→12-85 | 44 | LUCAS | 3701-G | 11763 | P-443301 | 2 | 32,5 |
| | ALL TYPES EXCEPT 1.8 (DISC 10MM) | | | | | 11764 | P-442903 | 2 | 29 |
| | 1.5 - 1.6 - 1.8 (HARD BOOT) | 04-74→12-85 | 48 | ATE | 10280-G | | | | |
| | 1.5 - 1.6 - 1.8 (HARD BOOT) | 04-74→12-85 | 48 | ATE | 3499-G | 10840 | P-485503 | 1 | 55 |
| | ALL TYPES (DISC 12MM) | 04-74→12-85 | 12 | ATE | 30025-G | | | | |
| | ALL TYPES | 04-74→12-85 | 12 | ATE | 30091-G | | | | |
| | ALL TYPES | 04-74→12-85 | 17,5 | FAG | 3519-G | | | | |
| | ALL TYPES | 04-74→12-85 | 22,2 | FAG | 4557-G | | | | |
| | ALL TYPES | 04-74→12-85 | 23 | ATE - FAG | 3478-G | | | | |

GOLF (II SERIES) 08-83→12-92

| | | | | | | | | | |
|--|-------------------------------------|-------------|------|----------------|----------------|-------|----------|---|------|
| | ALL TYPES | 08-83→12-92 | 20,6 | BEDNIX - BOSCH | 3127-G | | | | |
| | ALL TYPES | 08-83→12-92 | 20,6 | ATE | 3243-G | | | | |
| | ALL TYPES | 08-83→12-92 | 20,6 | FAG | 3986-G | | | | |
| | ALL TYPES (CAST IRON BODY) | 08-83→12-92 | 22,2 | BEDNIX - BOSCH | 3361-G | | | | |
| | ALL TYPES | 08-83→12-92 | 22,2 | FAG | 3716-G | | | | |
| | ALL TYPES (DISC 12MM) | 08-83→12-92 | 48 | ATE | 4293-G | 10618 | P-485501 | 1 | 55,2 |
| | 1.0 - 1.3 - 1.6D (DISC 10MM) | | | ATE - BENDIX | | 10542 | P-484602 | 1 | 46,6 |
| | ALL TYPES | 08-83→12-92 | 54 | LUCAS | 3220-G | 10570 | P-545301 | 1 | 53,7 |
| | ALL TYPES | 08-83→12-92 | 8 | LUCAS | 30001-G | | | | |
| | ALL TYPES (DISC 12MM) | 08-83→12-92 | 12 | ATE | 30025-G | | | | |
| | ALL TYPES (DISC 10MM) | 08-83→12-92 | 12 | ATE | 30026-G | | | | |
| | ALL TYPES (PRESSURE REDUCING VALVE) | 08-83→12-92 | 14,3 | ATE | 3159-G | | | | |
| | ALL TYPES (PRESSURE REDUCING VALVE) | 08-83→12-92 | 14,3 | FAG | 3476-G | | | | |
| | ALL TYPES | 08-83→12-92 | 17,5 | ATE - FAG | 3162-G | | | | |
| | ALL TYPES | 08-83→12-92 | 36 | LUCAS | 3257-G | 10518 | P-364801 | 1 | 48 |
| | ALL TYPES | 08-83→12-92 | 38 | LUCAS | 3247-G | 10521 | P-385101 | 1 | 51 |
| | | | | | | 11652 | K-385101 | 1 | 51 |
| | ALL TYPES | 08-83→12-92 | 38 | LUCAS | 4981-G | | | | |
| | ALL TYPES | 08-83→12-92 | 8 | LUCAS | 30001-G | | | | |
| | 1.8 GTI - G60 | 08-83→12-92 | 19 | ATE | 3691-G | | | | |
| | ALL TYPES | 08-83→12-92 | 22,2 | FAG | 4557-G | | | | |
| | ALL TYPES | 08-83→12-92 | 23 | ATE - FAG | 3478-G | | | | |



Master Cylinder



Front Caliper



Front Wheel Cylinder



Clutch Master Cylinder



Front Caliper Guides



Pressure Regulating Valve



Rear Caliper



Rear Wheel Cylinder



Clutch Slave Cylinder



Rear Caliper Guides



Ø
(mm.)

VERSION



VOLKSWAGEN

5 of 19

GOLF (III SERIES) 08-91→07-98

| | | | | | | | | | |
|--|--|-------------|------|----------------|----------------|-------|----------|---|------|
| | ALL TYPES | 08-91→07-98 | 20,6 | ATE | 3474-G | | | | |
| | ALL TYPES | 08-91→07-98 | 20,6 | BEDNIX - BOSCH | 3692-G | | | | |
| | ALL TYPES (CAST IRON BODY) | 08-91→07-98 | 22,2 | BEDNIX - BOSCH | 3361-G | | | | |
| | ALL TYPES (ALUMINIUM BODY) | 08-91→07-98 | 22,2 | ATE | 3475-G | | | | |
| | ALL TYPES | 08-91→07-98 | 22,2 | ATE | 4677-G | | | | |
| | ALL TYPES (ABS) | 08-91→07-98 | 23,8 | ATE | 4806-G | | | | |
| | VARIANT (DISC 12MM) | 08-91→07-98 | 48 | ATE | 4293-G | 10618 | P-485501 | 1 | 55,2 |
| | ALL TYPES (DISC 12MM) | | | | | | P-485501 | 1 | 55,2 |
| | VARIANT (DISC 20MM) | | | | | 10545 | P-485401 | 1 | 54,6 |
| | ALL TYPES (DISC 20MM) | | | | | | P-485401 | 1 | 54,6 |
| | ALL TYPES | 08-91→07-98 | 54 | ATE | 3073-G | 10900 | P-545801 | 1 | 58,5 |
| | ALL TYPES | 08-91→07-98 | 54 | LUCAS | 3220-G | 10570 | P-545301 | 1 | 53,7 |
| | ALL TYPES | 08-91→07-98 | 8 | LUCAS | 30001-G | | | | |
| | ALL TYPES (DISC 12-20MM VENTILATED) | 08-91→07-98 | 12 | ATE | 30025-G | | | | |
| | ALL TYPES | 08-91→07-98 | 15,9 | ATE | 3348-G | | | | |
| | ALL TYPES (CAST IRON - ALUMINIUM BODY) | 08-91→07-98 | 15,9 | FAG | 3480-G | | | | |
| | ALL TYPES (ALUMINIUM BODY) | 08-91→07-98 | 19 | FAG | 3479-G | | | | |
| | ALL TYPES EXCEPT SYNCRO (CAST IRON BODY) | 08-91→07-98 | 19 | FAG | 3690-G | | | | |
| | ALL TYPES | 08-91→07-98 | 20,6 | FAG | 3560-G | | | | |
| | ALL TYPES | 08-91→07-98 | 38 | GIRLING | 3247-G | 10521 | P-385101 | 1 | 51 |
| | | | | | | 11652 | K-385101 | 1 | 51 |
| | ALL TYPES | 08-91→07-98 | 38 | LUCAS | 4770-G | 10523 | P-385101 | 1 | 51 |
| | | | | | | 11170 | K-385101 | 1 | 51 |
| | ALL TYPES | 08-91→07-98 | 38 | GIRLING | 4981-G | | | | |
| | ALL TYPES | 08-91→07-98 | 8 | LUCAS | 30001-G | | | | |
| | ALL TYPES | 08-91→07-98 | 19 | ATE | 3477-G | | | | |
| | ALL TYPES | 08-91→07-98 | 22,2 | FAG | 4557-G | | | | |
| | ALL TYPES | 08-91→07-98 | 23 | ATE - FAG | 3478-G | | | | |
| | ALL TYPES | 08-91→07-98 | 25,4 | FAG | 4523-G | | | | |



Master Cylinder



Front Caliper



Front Wheel Cylinder



Clutch Master Cylinder



Front Caliper Guides



Pressure Regulating Valve



Rear Caliper



Rear Wheel Cylinder



Clutch Slave Cylinder



Rear Caliper Guides



Ø
(mm.)

VERSION



VOLKSWAGEN

6 of 19

GOLF (IV SERIES) 08-97→06-05

| | | | | | | | | | |
|--|--------------------------|-------------|------|----------------|----------------|-------|----------|---|------|
| | ALL TYPES | 08-97→06-05 | 23,8 | BEDNIX - BOSCH | 4132-G | | | | |
| | ALL TYPES | 08-97→06-05 | 23,8 | ATE | 4806-G | | | | |
| | ALL TYPES | 08-97→06-05 | 54 | ATE | 3073-G | 10900 | P-545801 | 1 | 58,5 |
| | CABRIO | 08-97→06-05 | 54 | LUCAS | 3220-G | 10570 | P-545301 | 1 | 53,7 |
| | ALL TYPES | 08-97→06-05 | 8 | LUCAS | 30001-G | | | | |
| | ALL TYPES | 08-97→06-05 | 38 | LUCAS | 4442-G | 10520 | P-385101 | 1 | 51 |
| | | | | | | 11651 | K-385101 | 1 | 51 |
| | ALL TYPES CH.1JY 000001→ | 08-97→06-05 | 38 | BOSCH | 4518-G | | | | |
| | CABRIO | 08-97→06-05 | 38 | LUCAS | 4770-G | 10523 | P-385101 | 1 | 51 |
| | | | | | | 11170 | K-385101 | 1 | 51 |
| | VARIANT | 08-97→06-05 | 41 | LUCAS | 4289-G | 10610 | P-415101 | 1 | 51 |
| | | | | | | 11696 | K-415101 | 1 | 51 |
| | VARIANT | 08-97→06-05 | 41 | LUCAS | 6031-G | | | | |
| | ALL TYPES | 06-98→06-02 | 8 | LUCAS | 30050-G | | | | |
| | 1.9 SDI | 08-91→07-98 | 15,9 | FAG | 4521-G | | | | |
| | ALL TYPES | 08-97→06-05 | 19 | SACHS | 4994-G | | | | |
| | ALL TYPES | 08-97→06-05 | 23,8 | FAG | 4251-G | | | | |

GOLF (V SERIES) 10-03→02-09

| | | | | | | | | | |
|--|-----------------------|-------------|------|-------|----------------|-------|----------|---|------|
| | ALL TYPES | 10-03→02-09 | 22,2 | BOSCH | 6200-G | | | | |
| | ALL TYPES | 10-03→02-09 | 23,8 | ATE | 4806-G | | | | |
| | ALL TYPES (SOFT BOOT) | 10-03→02-09 | 54 | ATE | 3073-G | 10900 | P-545801 | 1 | 58,5 |
| | ALL TYPES (HARD BOOT) | 10-03→02-09 | 54 | ATE | 4318-G | 10890 | P-545502 | 1 | 55,5 |
| | ALL TYPES | 10-03→02-09 | 54 | ATE | 6033-G | | | | |
| | ALL TYPES | 10-03→02-09 | 57 | ATE | 4768-G | 10932 | P-575503 | 1 | 55,5 |
| | ALL TYPES | 10-03→02-09 | 38 | LUCAS | 4442-G | 10520 | P-385101 | 1 | 51 |
| | | | | | | 11651 | K-385101 | 1 | 51 |
| | ALL TYPES | 10-03→02-09 | 41 | LUCAS | 4289-G | 10610 | P-415101 | 1 | 51 |
| | | | | | | 11696 | K-415101 | 1 | 51 |
| | ALL TYPES | 10-03→02-09 | 41 | LUCAS | 6031-G | | | | |
| | ALL TYPES | 10-03→12-08 | 8 | LUCAS | 30004-G | | | | |
| | ALL TYPES | 10-03→02-09 | 15,9 | SACHS | 4913-G | | | | |
| | ALL TYPES | 10-03→02-09 | 19 | SACHS | 4994-G | | | | |



Master Cylinder



Front Caliper



Front Wheel Cylinder



Clutch Master Cylinder



Front Caliper Guides



Pressure Regulating Valve



Rear Caliper



Rear Wheel Cylinder



Clutch Slave Cylinder



Rear Caliper Guides

Ø
(mm.)

VERSION



VOLKSWAGEN

7 of 19

GOLF (VI SERIES) 10-08→11-13

| | | | | | | | | | |
|--|-----------------------|-------------|------|-------|----------------|-------|------------|---|------|
| | ALL TYPES | 10-08→11-13 | 22,2 | BOSCH | 6200-G | | | | |
| | ALL TYPES (SOFT BOOT) | 10-08→11-13 | 54 | ATE | 3073-G | 10900 | P-545801 | 1 | 58,5 |
| | ALL TYPES (HARD BOOT) | 10-08→11-13 | 54 | ATE | 4318-G | 10890 | P-545502 | 1 | 55,5 |
| | ALL TYPES | 10-08→11-13 | 54 | ATE | 6033-G | | | | |
| | ALL TYPES | 10-08→11-13 | 57 | ATE | 4768-G | 10932 | P-575503 | 1 | 55,5 |
| | ALL TYPES | 10-08→11-13 | 38 | LUCAS | 4442-G | 10520 | P-385101 | 1 | 51 |
| | | | | | | 11651 | K-385101 | 1 | 51 |
| | ALL TYPES | 10-08→11-13 | 38 | BOSCH | 4858-G | 10631 | P-384901 | 1 | 49 |
| | | | | | | 11617 | K-384901-R | 1 | 49 |
| | | | | | | 11616 | K-384901-L | 1 | 49 |
| | ALL TYPES | 10-08→11-13 | 41 | LUCAS | 4289-G | 10610 | P-415101 | 1 | 51 |
| | | | | | | 11696 | K-415101 | 1 | 51 |
| | ALL TYPES | 10-08→11-13 | 41 | LUCAS | 6031-G | | | | |
| | ALL TYPES | 10-08→11-13 | 8 | LUCAS | 30004-G | | | | |
| | ALL TYPES | 10-08→11-13 | 10 | BOSCH | 30014-G | | | | |

GOLF (VII SERIES) 11-12→

| | | | | | | | | | |
|--|--------------------------------|--------|----|-----|----------------|-------|----------|---|------|
| | 1.6HDI - 2.0HDI | 11-12→ | 57 | TRW | 6063-G | 10938 | P-575401 | 1 | 54,8 |
| | ALL TYPES | 11-12→ | 60 | TRW | 6178-G | | | | |
| | ALL TYPES | 11-12→ | 8 | TRW | 30004-G | | | | |
| | ALL TYPES | 11-12→ | 10 | TRW | 30152-G | | | | |
| | ALL TYPES (ELECTRIC HANDBRAKE) | 11-12→ | 38 | ATE | 6244-G | | | | |
| | ALL TYPES (ELECTRIC HANDBRAKE) | 11-12→ | 42 | ATE | 6257-G | | | | |

GOLF PLUS 01-05→

| | | | | | | | | | |
|--|-----------------------|--------|------|-------|----------------|-------|----------|---|------|
| | ALL TYPES | 01-05→ | 22,2 | BOSCH | 6200-G | | | | |
| | ALL TYPES (SOFT BOOT) | 01-05→ | 54 | ATE | 3073-G | 10900 | P-545801 | 1 | 58,5 |
| | ALL TYPES (HARD BOOT) | 01-05→ | 54 | ATE | 4318-G | 10890 | P-545502 | 1 | 55,5 |
| | ALL TYPES | 01-05→ | 54 | ATE | 6033-G | | | | |
| | ALL TYPES | 01-05→ | 38 | LUCAS | 4442-G | 10520 | P-385101 | 1 | 51 |
| | | | | | | 11651 | K-385101 | 1 | 51 |
| | ALL TYPES | 01-05→ | 41 | LUCAS | 4289-G | 10610 | P-415101 | 1 | 51 |
| | | | | | | 11696 | K-415101 | 1 | 51 |
| | ALL TYPES | 01-05→ | 41 | LUCAS | 6031-G | | | | |
| | ALL TYPES | 01-05→ | 8 | LUCAS | 30004-G | | | | |



Master Cylinder



Front Caliper



Front Wheel Cylinder



Clutch Master Cylinder



Front Caliper Guides



Pressure Regulating Valve



Rear Caliper



Rear Wheel Cylinder



Clutch Slave Cylinder



Rear Caliper Guides

Ø
(mm.)

VERSION



VOLKSWAGEN

8 of 19

JETTA (I SERIES) 08-78→02-84

| | | | | | | | | | |
|--|----------------------------------|-------------|------|-----------|----------------|-------|----------|---|------|
| | ALL TYPES (-SERVO) | 08-78→02-84 | 17,5 | ATE | 3164-G | | | | |
| | ALL TYPES (-SERVO) | 08-78→02-84 | 17,5 | FAG | 3191-G | | | | |
| | ALL TYPES (SERVO) | 08-78→02-84 | 20,6 | ATE -FAG | 3157-G | | | | |
| | 1.5 - 1.6 | 08-78→02-84 | 44 | ATE | 3163-G | 11754 | P-445301 | 1 | 53 |
| | 1.1 - 1.3 - 1.6D | | | | | 11275 | P-444601 | 1 | 46,5 |
| | ALL TYPES (DISC 12MM) | 08-78→02-84 | 44 | LUCAS | 3701-G | 11763 | P-443301 | 2 | 32,5 |
| | ALL TYPES EXCEPT 1.8 (DISC 10MM) | | | | | 11764 | P-442903 | 2 | 29 |
| | 1.5 - 1.6 - 1.8 - 1.6D - 1.6TD | 08-78→02-84 | 48 | ATE | 10280-G | | | | |
| | 1.5 - 1.6 - 1.8 - 1.6D - 1.6TD | 08-78→02-84 | 48 | ATE | 3499-G | 10840 | P-485503 | 1 | 55 |
| | ALL TYPES (DISC 12MM) | 08-78→02-84 | 12 | ATE | 30025-G | | | | |
| | ALL TYPES | 08-78→02-84 | 12 | ATE | 30091-G | | | | |
| | ALL TYPES | 08-83-12-92 | 17,5 | FAG | 3519-G | | | | |
| | ALL TYPES | 08-78→02-84 | 8 | LUCAS | 30003-G | | | | |
| | ALL TYPES | 08-78→02-84 | 22,2 | FAG | 4557-G | | | | |
| | ALL TYPES | 08-78→02-84 | 23 | ATE - FAG | 3478-G | | | | |

JETTA (II SERIES) 08-83→12-92

| | | | | | | | | | |
|--|---------------------------------------|-------------|------|----------------|----------------|-------|----------|---|------|
| | ALL TYPES | 08-83→12-92 | 20,6 | BEDNIX - BOSCH | 3127-G | | | | |
| | ALL TYPES | 08-83→12-92 | 20,6 | ATE | 3243-G | | | | |
| | ALL TYPES | 08-83→12-92 | 20,6 | FAG | 3986-G | | | | |
| | ALL TYPES (CAST IRON BODY) | 08-83→12-92 | 22,2 | BEDNIX - BOSCH | 3361-G | | | | |
| | ALL TYPES | 08-83→12-92 | 22,2 | FAG | 3716-G | | | | |
| | ALL TYPES (DISC 12MM) | 08-83→12-92 | 48 | ATE | 4293-G | 10618 | P-485501 | 1 | 55,2 |
| | ALL TYPES (DISC 10MM) | | | | | 10542 | P-484602 | 1 | 46,6 |
| | ALL TYPES | 08-83→12-92 | 54 | LUCAS | 3220-G | 10570 | P-545301 | 1 | 53,7 |
| | ALL TYPES | 08-83→12-92 | 8 | LUCAS | 30001-G | | | | |
| | ALL TYPES (DISC 12MM) | 08-83→12-92 | 12 | ATE | 30025-G | | | | |
| | ALL TYPES (DISC 10MM) | 08-83→12-92 | 12 | ATE | 30026-G | | | | |
| | ALL TYPES (PRESSURING REDUCING VALVE) | 08-83→12-92 | 14,3 | ATE | 3159-G | | | | |
| | ALL TYPES (PRESSURING REDUCING VALVE) | 08-83→12-92 | 14,3 | FAG | 3476-G | | | | |
| | ALL TYPES | 08-83→12-92 | 17,5 | ATE - FAG | 3162-G | | | | |
| | ALL TYPES | 08-83→12-92 | 36 | LUCAS | 3257-G | 10518 | P-364801 | 1 | 48 |
| | ALL TYPES | 08-83→12-92 | 38 | LUCAS | 3247-G | 10521 | P-385101 | 1 | 51 |
| | | | | | | 11652 | K-385101 | 1 | 51 |
| | ALL TYPES | 08-83→12-92 | 8 | LUCAS | 30001-G | | | | |
| | ALL TYPES | 08-83→12-92 | 22,2 | FAG | 4557-G | | | | |
| | ALL TYPES | 08-83→12-92 | 23 | ATE - FAG | 3478-G | | | | |



Master Cylinder



Front Caliper



Front Wheel Cylinder



Clutch Master Cylinder



Front Caliper Guides



Pressure Regulating Valve



Rear Caliper



Rear Wheel Cylinder



Clutch Slave Cylinder



Rear Caliper Guides



Ø
(mm.)

VERSION



VOLKSWAGEN

9 of 19

JETTA (III SERIES) 08-05→10-10

| | | | | | | | | | |
|--|-----------------------------|-------------|----|-------|----------------|-------|------------|---|------|
| | ALL TYPES EXCEPT TSI - TFSI | 08-05→10-10 | 54 | ATE | 3073-G | 10900 | P-545801 | 1 | 58,5 |
| | TSI - TFSI | 08-05→10-10 | 54 | ATE | 4318-G | 10890 | P-545502 | 1 | 55,5 |
| | TSI - TFSI | 08-05→10-10 | 54 | ATE | 6033-G | | | | |
| | ALL TYPES | 08-05→10-10 | 38 | LUCAS | 4442-G | 10520 | P-385101 | 1 | 51 |
| | | | | | | 11651 | K-385101 | 1 | 51 |
| | ALL TYPES | 08-05→10-10 | 38 | BOSCH | 4858-G | 10631 | P-384901 | 1 | 49 |
| | | | | | | 11617 | K-384901-R | 1 | 49 |
| | | | | | | 11616 | K-384901-L | 1 | 49 |
| | ALL TYPES | 08-05→10-10 | 41 | LUCAS | 4289-G | 10610 | P-415101 | 1 | 51 |
| | | | | | | 11696 | K-415101 | 1 | 51 |
| | ALL TYPES | 08-05→10-10 | 41 | LUCAS | 6031-G | | | | |
| | ALL TYPES | 09-05→10-10 | 8 | LUCAS | 30004-G | | | | |
| | ALL TYPES | 08-05→10-10 | 10 | BOSCH | 30014-G | | | | |
| | ALL TYPES | 08-05→10-10 | 19 | SACHS | 4994-G | | | | |

JETTA (IV SERIES) 04-10→

| | | | | | | | | | |
|--|-----------------------|--------|----|-------|----------------|-------|------------|---|------|
| | ALL TYPES (HARD BOOT) | 04-10→ | 54 | ATE | 4318-G | 10890 | P-545502 | 1 | 55,5 |
| | ALL TYPES | 04-10→ | 38 | LUCAS | 4442-G | 10520 | P-385101 | 1 | 51 |
| | | | | | | 11651 | K-385101 | 1 | 51 |
| | ALL TYPES | 04-10→ | 38 | BOSCH | 4858-G | 10631 | P-384901 | 1 | 49 |
| | | | | | | 11617 | K-384901-R | 1 | 49 |
| | | | | | | 11616 | K-384901-L | 1 | 49 |
| | ALL TYPES | 04-10→ | 8 | LUCAS | 30004-G | | | | |

K70

| | | | | | | | | | |
|--|-----------|-------------|------|-----|---------------|-------|----------|---|----|
| | ALL TYPES | 01-74→ | 19 | ATE | 3373-G | | | | |
| | ALL TYPES | 01-70→01-76 | 34 | ATE | 4336-G | 10708 | P-342901 | 4 | 29 |
| | ALL TYPES | 01-67→ | 17,5 | | 4327-G | | | | |

LT SERIES

| | | | | | | | | | |
|--|-------------------------------------|-------------|------|-----------|----------------|-------|----------|---|------|
| | I - II SERIES (NO TWIN REAR WHEELS) | 04-75→07-06 | 23,8 | ATE | 3424-G | | | | |
| | II SERIES 28-46 | 05-96→07-06 | 24 | TRW | 6207-G | | | | |
| | I SERIES 28-35 40-45 | 04-75→06-96 | 25,4 | ATE | 3947-G | | | | |
| | II SERIES (HARD BOOT) | 04-96→07-06 | 44 | PERROT | 4573-G | | | | |
| | II SERIES 28-46 2.5TDI (SOFT BOOT) | 05-96→ | 44 | PERROT | 4710-G | 10613 | P-446301 | 2 | 63 |
| | II SERIES 28-46 (SOFT BOOT) | 05-96→ | 44 | PERROT | 4991-G | 10799 | P-446301 | 2 | 63 |
| | I - II SERIES | 04-75→08-99 | 57 | ATE | 3668-G | 10942 | P-573401 | 2 | 34 |
| | II SERIES 28-35 - 28-46 | 05-96→ | 60 | ATE | 3133-G | 10594 | P-605801 | 1 | 58 |
| | I SERIES | 04-75→06-96 | 25,4 | ATE - FAG | 3667-G | | | | |
| | II SERIES (HARD BOOT) | 04-96→07-06 | 44 | PERROT | 4573-G | | | | |
| | II SERIES 28-46 2.5TDI (SOFT BOOT) | 05-96→ | 44 | PERROT | 4710-G | 10613 | P-446301 | 2 | 63 |
| | II SERIES 28-35 - 28-46 | 05-96→ | 45 | ATE | 4329-G | 10813 | P-455302 | 1 | 53,1 |
| | II SERIES | 05-96→ | 52 | ATE | 4330-G | 10880 | P-525302 | 1 | 54,2 |
| | II SERIES 28-35 - 28-46 | 05-96→08-99 | 52 | BOSCH | 4546-G | 10561 | P-525301 | 1 | 53,7 |
| | II SERIES LT46 | 04-96→07-06 | 16 | BOSCH | 30109-G | | | | |



Master Cylinder



Front Caliper



Front Wheel Cylinder



Clutch Master Cylinder



Front Caliper Guides



Pressure Regulating Valve



Rear Caliper



Rear Wheel Cylinder



Clutch Slave Cylinder



Rear Caliper Guides

Ø
(mm.)

VERSION



VOLKSWAGEN

10 of 19

LUPO

| | | | | | | | | | |
|--|--|-------------|-------|----------------|----------------|-------|----------|---|------|
| | ALL TYPES (-ABS) | 09-98→07-05 | 20,6 | ATE | 3474-G | | | | |
| | ALL TYPES | 09-98→07-05 | 22,2 | ATE | 4677-G | | | | |
| | ALL TYPES | 09-98→07-05 | 23,8 | ATE | 4806-G | | | | |
| | ALL TYPES (DISC 18MM) | 09-98→07-05 | 48 | BEDNIX - BOSCH | 4293-G | 10545 | P-485401 | 1 | 54,6 |
| | 1.2TDI 3L (HARD BOOT) (ALUMINIUM PISTON) | 09-98→07-05 | 48 | ATE | 4776-G | 10845 | P-484805 | 1 | 48,3 |
| | ALL TYPES (DISC 20MM) | 09-98→07-05 | 54 | LUCAS | 3220-G | 10570 | P-545301 | 1 | 53,7 |
| | 1.6GTI (DISC 25MM) | 09-98→07-05 | 54 | LUCAS | 4484-G | 10575 | P-545301 | 1 | 53,7 |
| | ALL TYPES | 09-98→07-05 | 8 | LUCAS | 30001-G | | | | |
| | ALL TYPES | 09-98→07-05 | 12 | ATE | 30025-G | | | | |
| | ALL TYPES | 09-98→07-05 | 15,9 | FAG | 3480-G | | | | |
| | ALL TYPES | 09-98→07-05 | 17,46 | FAG | 4862-G | | | | |
| | ALL TYPES | 09-98→07-05 | 34 | LUCAS | 6007-G | 10677 | P-334601 | 1 | 46,8 |
| | | | | | | 11563 | K-334601 | 1 | 46,8 |
| | ALL TYPES | 09-98→07-05 | 34 | LUCAS | 6008-G | | | | |
| | ALL TYPES | 09-98→07-05 | 8 | LUCAS | 30004-G | | | | |
| | 1.4TDI - 1.6GTI | 09-98→07-05 | 19 | SACHS | 4994-G | | | | |

MULTIVAN

| | | | | | | | | | |
|--|------------------------|--------|----|-------|----------------|-------|----------|---|------|
| | T5 SERIES (HARD BOOT) | 04-03→ | 60 | ATE | 4758-G | 10961 | P-605502 | 1 | 55,5 |
| | T5 SERIES | 04-03→ | 41 | LUCAS | 4289-G | 10610 | P-415101 | 1 | 51 |
| | | | | | | 11696 | K-415101 | 1 | 51 |
| | T5 SERIES | 04-03→ | 41 | LUCAS | 6031-G | | | | |
| | T5 SERIES | 04-03→ | 44 | ATE | 4891-G | 11753 | P-445501 | 1 | 55,5 |
| | T5 SERIES | 10-11→ | 8 | LUCAS | 30004-G | | | | |
| | T5 SERIES (DISC 294MM) | 04-03→ | 10 | LUCAS | 30041-G | | | | |

NEW BEETLE

| | | | | | | | | | |
|--|-----------------------|-------------|------|----------------|----------------|-------|------------|---|------|
| | ALL TYPES | 01-98→10-10 | 23,8 | BEDNIX - BOSCH | 4132-G | | | | |
| | ALL TYPES (ABS) | 01-98→10-10 | 23,8 | ATE | 4806-G | | | | |
| | ALL TYPES (SOFT BOOT) | 01-98→10-10 | 54 | ATE | 3660-G | 10885 | P-545801 | 1 | 58,5 |
| | ALL TYPES (HARD BOOT) | 04-11→ | 54 | ATE | 4318-G | 10890 | P-545502 | 1 | 55,5 |
| | ALL TYPES | 01-98→10-10 | 38 | LUCAS | 4442-G | 10520 | P-385101 | 1 | 51 |
| | | | | | | 11651 | K-385101 | 1 | 51 |
| | ALL TYPES | 04-11→ | 38 | BOSCH | 4858-G | 10631 | P-384901 | 1 | 49 |
| | | | | | | 11617 | K-384901-R | 1 | 49 |
| | | | | | | 11616 | K-384901-L | 1 | 49 |
| | ALL TYPES | 04-11→ | 8 | LUCAS | 30004-G | | | | |
| | ALL TYPES | 01-98→10-10 | 8 | TRW | 30050-G | | | | |
| | ALL TYPES | 01-98→10-10 | 10 | LUCAS | 30041-G | | | | |
| | ALL TYPES | 01-98→10-10 | 19 | FAG | 4253-G | | | | |
| | ALL TYPES | 09-05→ | 19 | SACHS | 4994-G | | | | |



Master Cylinder



Front Caliper



Front Wheel Cylinder



Clutch Master Cylinder



Front Caliper Guides



Pressure Regulating Valve



Rear Caliper



Rear Wheel Cylinder



Clutch Slave Cylinder



Rear Caliper Guides

Ø
(mm.)

VERSION



VOLKSWAGEN

11 of 19

PASSAT (32 - 33) 05-73→07-80

| | | | | | | | | | |
|--|-------------------------------------|-------------|------|-----------|----------------|-------|----------|---|------|
| | ALL TYPES | 05-73→07-80 | 17,5 | ATE | 3164-G | | | | |
| | ALL TYPES | 05-73→07-80 | 19 | ATE | 3373-G | | | | |
| | ALL TYPES | 05-73→07-80 | 20,6 | ATE - FAG | 3157-G | | | | |
| | ALL TYPES EXCEPT 1.5D - 1.6D | 05-73→07-80 | 44 | ATE | 3163-G | 11754 | P-445301 | 1 | 53 |
| | 1.5D - 1.6D | | | | | 11275 | P-444601 | 1 | 46,5 |
| | ALL TYPES (2 PISTONS) | 05-73→07-80 | 44 | LUCAS | 3701-G | 11764 | P-442903 | 2 | 29 |
| | ALL TYPES HARD BOOT (HARD BOOT) | 05-73→07-80 | 48 | ATE | 10280-G | | | | |
| | ALL TYPES | 05-73→07-80 | 48 | LUCAS | 3267-G | 10537 | P-485302 | 1 | 53,6 |
| | ALL TYPES (HARD BOOT) | 05-73→07-80 | 48 | ATE | 3499-G | 10840 | P-485503 | 1 | 55 |
| | ALL TYPES | 05-73→07-80 | 12 | ATE | 30025-G | | | | |
| | ALL TYPES (PRESSURE REDUCING VALVE) | 05-73→07-80 | 14,3 | ATE | 3159-G | | | | |
| | ALL TYPES (PRESSURE REDUCING VALVE) | 05-73→07-80 | 14,3 | FAG | 3476-G | | | | |

PASSAT (32B) 11-79→06-89

| | | | | | | | | | |
|--|--|-------------|------|-----------|----------------|-------|----------|---|------|
| | ALL TYPES | 11-79→06-89 | 20,6 | ATE - FAG | 3157-G | | | | |
| | 1.6D - 1.8 | 11-79→06-89 | 20,6 | FAG | 3310-G | | | | |
| | ALL TYPES HARD BOOT | 11-79→06-89 | 48 | ATE | 10280-G | | | | |
| | ALL TYPES (HARD BOOT) | 11-79→06-89 | 48 | ATE | 3499-G | 10840 | P-485503 | 1 | 55 |
| | ALL TYPES (SOFT BOOT) | 11-79→06-89 | 48 | ATE | 4293-G | 10618 | P-485501 | 1 | 55,2 |
| | ALL TYPES | 11-79→06-89 | 8 | LUCAS | 30001-G | | | | |
| | ALL TYPES | 11-79→06-89 | 12 | ATE | 30025-G | | | | |
| | ALL TYPES (PRESSURING REDUCING VALVE) | 11-79→06-89 | 14,3 | ATE | 3159-G | | | | |
| | ALL TYPES (PRESSURING REDUCING VALVE) | 11-79→06-89 | 14,3 | FAG | 3476-G | | | | |
| | ALL TYPES (CAST IRON - ALUMINIUM BODY) | 11-79→06-89 | 15,9 | FAG | 3480-G | | | | |
| | ALL TYPES EXCEPT TD | 11-79→06-89 | 17,5 | ATE - FAG | 3162-G | | | | |
| | TURBODIESEL | 11-79→06-89 | 17,5 | FAG | 3519-G | | | | |
| | ALL TYPES | 11-79→06-89 | 36 | LUCAS | 3257-G | 10518 | P-364801 | 1 | 48 |
| | VARIANT 1.8 - 2.2 SYNCRO | 11-79→06-89 | 38 | LUCAS | 3247-G | 10521 | P-385101 | 1 | 51 |
| | | | | | | 11652 | K-385101 | 1 | 51 |
| | VARIANT 1.8 - 2.2 SYNCRO | 11-79→06-89 | 38 | LUCAS | 4981-G | | | | |
| | ALL TYPES | 11-79→06-89 | 8 | LUCAS | 30001-G | | | | |
| | ALL TYPES | 11-79→06-89 | 19 | ATE - FAG | 3350-G | | | | |
| | ALL TYPES | 11-79→06-89 | 22,2 | ATE - FAG | 3351-G | | | | |

PASSAT (362 - 365) 08-10→

| | | | | | | | | | |
|--|------------|--------|---|-------|----------------|--|--|--|--|
| | VII SERIES | 08-10→ | 8 | LUCAS | 30004-G | | | | |
|--|------------|--------|---|-------|----------------|--|--|--|--|



Master Cylinder



Front Caliper



Front Wheel Cylinder



Clutch Master Cylinder



Front Caliper Guides



Pressure Regulating Valve



Rear Caliper



Rear Wheel Cylinder



Clutch Slave Cylinder



Rear Caliper Guides

Ø
(mm.)

VERSION

**VOLKSWAGEN**

12 of 19

PASSAT (3A2 - 35I - 3A5 - 35I) 02-88→12-97

| | | | | | | | | | |
|--|----------------------------------|-------------|------|----------------|----------------|-------|----------|---|------|
| | ALL TYPES | 02-88→12-97 | 20,6 | BEDNIX - BOSCH | 3692-G | | | | |
| | ALL TYPES | 02-88→12-97 | 20,6 | FAG | 3986-G | | | | |
| | ALL TYPES (CAST IRON BODY) | 02-88→12-97 | 22,2 | BEDNIX - BOSCH | 3361-G | | | | |
| | ALL TYPES (ALUMINIUM BODY) | 02-88→12-97 | 22,2 | ATE | 3475-G | | | | |
| | ALL TYPES (HEAVY DUTY BRAKE) | 02-88→12-97 | 22,2 | FAG | 3716-G | | | | |
| | ALL TYPES (ABS) | 02-88→12-97 | 23,8 | ATE | 4806-G | | | | |
| | ALL TYPES | 02-88→12-97 | 54 | ATE | 3073-G | 10900 | P-545801 | 1 | 58,5 |
| | ALL TYPES | 02-88→12-97 | 54 | LUCAS | 3220-G | 10570 | P-545301 | 1 | 53,7 |
| | ALL TYPES | 02-88→12-97 | 8 | LUCAS | 30003-G | | | | |
| | 1.6 (ALUMINIUM BODY) | 02-88→12-97 | 19 | FAG | 3479-G | | | | |
| | 1.6 - 1.8 - 2.0 (CAST IRON BODY) | 02-88→12-97 | 19 | FAG | 3690-G | | | | |
| | ALL TYPES | 02-88→12-97 | 20,6 | FAG | 3560-G | | | | |
| | ALL TYPES | 02-88→10-93 | 38 | LUCAS | 3247-G | 10521 | P-385101 | 1 | 51 |
| | | | | | | 11652 | K-385101 | 1 | 51 |
| | ALL TYPES | 10-93→12-97 | 38 | LUCAS | 4770-G | 10523 | P-385101 | 1 | 51 |
| | | | | | | 11170 | K-385101 | 1 | 51 |
| | ALL TYPES | 02-88→10-93 | 38 | LUCAS | 4981-G | | | | |
| | ALL TYPES | 02-88→12-97 | 8 | LUCAS | 30001-G | | | | |
| | ALL TYPES | 09-93→12-97 | 19 | ATE | 3477-G | | | | |
| | ALL TYPES | 02-88→10-93 | 19 | ATE | 3691-G | | | | |
| | ALL TYPES | 02-88→12-97 | 22,2 | FAG | 4557-G | | | | |
| | ALL TYPES | 02-88→12-97 | 23 | ATE - FAG | 3478-G | | | | |

PASSAT (3B2 - 3B5) 08-96→12-01

| | | | | | | | | | |
|--|--------------------------------|-------------|------|-------|----------------|-------|----------|---|------|
| | ALL TYPES | 08-96→12-01 | 23,8 | LUCAS | 3467-G | | | | |
| | ALL TYPES (CH.F3B-Y-000 001 →) | 08-96→12-01 | 25,4 | LUCAS | 4137-G | | | | |
| | ALL TYPES (CH.F3B-2-000 001 →) | 08-96→12-01 | 25,4 | LUCAS | 6183-G | | | | |
| | ALL TYPES | 08-96→12-01 | 54 | LUCAS | 4745-G | 10572 | P-545301 | 1 | 53,7 |
| | ALL TYPES | 08-96→12-01 | 57 | ATE | 3391-G | 10582 | P-575501 | 1 | 55,2 |
| | ALL TYPES | 08-96→12-01 | 57 | ATE | 4983-G | | | | |
| | ALL TYPES | 08-96→12-01 | 8 | LUCAS | 30001-G | | | | |
| | ALL TYPES | 08-96→12-01 | 38 | LUCAS | 4442-G | 10520 | P-385101 | 1 | 51 |
| | | | | | | 11651 | K-385101 | 1 | 51 |
| | VARIANT | 08-96→12-01 | 10 | LUCAS | 30041-G | | | | |
| | ALL TYPES | 08-96→12-01 | 19 | FAG | 3469-G | | | | |
| | ALL TYPES | 08-96→12-01 | 22,2 | SACHS | 3468-G | | | | |
| | ALL TYPES | 08-96→12-01 | 22,2 | SACHS | 4520-G | | | | |



Master Cylinder



Front Caliper



Front Wheel Cylinder



Clutch Master Cylinder



Front Caliper Guides



Pressure Regulating Valve



Rear Caliper



Rear Wheel Cylinder



Clutch Slave Cylinder



Rear Caliper Guides

Ø
(mm.)

VERSION



VOLKSWAGEN

13 of 19

PASSAT (3B3 - 3B6) 11-00→05-05

| | | | | | | | | | |
|--|-----------|-------------|------|-------|----------------|-------|----------|---|------|
| | ALL TYPES | 11-00→05-05 | 25,4 | LUCAS | 6183-G | | | | |
| | ALL TYPES | 11-00→05-05 | 57 | ATE | 3391-G | 10582 | P-575501 | 1 | 55,2 |
| | ALL TYPES | 11-00→05-05 | 57 | ATE | 4983-G | | | | |
| | ALL TYPES | 11-00→05-05 | 38 | LUCAS | 4442-G | 10520 | P-385101 | 1 | 51 |
| | | | | | | 11651 | K-385101 | 1 | 51 |
| | ALL TYPES | 11-00→05-05 | 43 | LUCAS | 4893-G | 10659 | P-425102 | 1 | 51,3 |
| | | | | | | 11748 | K-425102 | 1 | 51,3 |
| | V SERIES | 11-00→05-05 | 8 | LUCAS | 30050-G | | | | |
| | ALL TYPES | 11-00→05-05 | 19 | FAG | 3469-G | | | | |
| | ALL TYPES | 11-00→05-05 | 22,2 | SACHS | 4520-G | | | | |

PASSAT (3C2 - 3C5) 03-05→

| | | | | | | | | | |
|--|--------------------------------|--------|----|-------|----------------|-------|----------|---|------|
| | ALL TYPES (HARD BOOT) | 03-05→ | 54 | ATE | 4318-G | 10890 | P-545502 | 1 | 55,5 |
| | ALL TYPES | 03-05→ | 54 | ATE | 6033-G | | | | |
| | ALL TYPES (ELECTRIC HANDBRAKE) | 03-05→ | 38 | TRW | 6188-G | 11629 | P-385202 | 1 | 52 |
| | ALL TYPES (ELECTRIC HANDBRAKE) | 03-05→ | 41 | TRW | 6085-G | 11207 | P-415201 | 1 | 52 |
| | ALL TYPES | 03-05→ | 8 | TRW | 30004-G | | | | |
| | ALL TYPES | 03-05→ | 19 | SACHS | 4994-G | | | | |

PASSAT CC (357) 05-08→

| | | | | | | | | | |
|--|-----------|--------|---|-------|----------------|--|--|--|--|
| | ALL TYPES | 05-08→ | 8 | LUCAS | 30004-G | | | | |
|--|-----------|--------|---|-------|----------------|--|--|--|--|

PHAETON

| | | | | | | | | | |
|--|-----------------|--------|----|-------|----------------|-------|----------|---|------|
| | ALL TYPES | 04-02→ | 42 | ATE | 4971-G | 11722 | P-425502 | 2 | 55,5 |
| | 3.2 V6 | 04-02→ | 43 | LUCAS | 4291-G | | | | |
| | 3.2 V6 | 04-02→ | 43 | LUCAS | 6271-G | 10786 | P-435501 | 2 | 55 |
| | ALL TYPES | 04-02→ | 12 | ATE | 30095-G | | | | |
| | 3.0 - 3.2 - 4.2 | 04-02→ | 43 | LUCAS | 4893-G | 10659 | P-425102 | 1 | 51,3 |
| | | | | | | 11748 | K-425102 | 1 | 51,3 |
| | 3.0 - 3.2 - 4.2 | 04-02→ | 10 | LUCAS | 30041-G | | | | |

POLO (I SERIES) 03-75→09-81

| | | | | | | | | | |
|--|---------------------------------------|-------------|------|-----------|---------------|-------|----------|---|------|
| | ALL TYPES (-SERVO) | 03-75→09-81 | 17,5 | ATE | 3164-G | | | | |
| | ALL TYPES (-SERVO) | 03-75→09-81 | 17,5 | FAG | 3191-G | | | | |
| | ALL TYPES | 03-75→09-81 | 20,6 | ATE - FAG | 3157-G | | | | |
| | ALL TYPES | 03-75→09-81 | 44 | ATE | 3163-G | 11275 | P-444601 | 1 | 46,5 |
| | ALL TYPES (PRESSURE REDUCING VALVE) | 03-75→09-81 | 14,3 | ATE | 3159-G | | | | |
| | ALL TYPES (PRESSURING REDUCING VALVE) | 03-75→09-81 | 14,3 | FAG | 3476-G | | | | |



Master Cylinder



Front Caliper



Front Wheel Cylinder



Clutch Master Cylinder



Front Caliper Guides



Pressure Regulating Valve



Rear Caliper



Rear Wheel Cylinder



Clutch Slave Cylinder



Rear Caliper Guides

Ø
(mm.)

VERSION

**VOLKSWAGEN**

14 of 19

POLO (II SERIES) 10-81→09-94

| | | | | | | | | | |
|--|-------------------------------------|-------------|------|----------------|----------------|-------|----------|---|------|
| | 0.9 (-SERVO) | 10-81→09-94 | 17,5 | FAG | 3191-G | | | | |
| | ALL TYPES | 10-81→09-94 | 20,6 | BEDNIX - BOSCH | 3127-G | | | | |
| | 0.9 - 1.3 | 10-81→07-83 | 20,6 | ATE - FAG | 3157-G | | | | |
| | ALL TYPES | 10-81→09-94 | 20,6 | ATE | 3243-G | | | | |
| | 1.0 - 1.1 - 1.3 | 10-81→09-94 | 44 | ATE | 3163-G | 11275 | P-444601 | 1 | 46,5 |
| | COUPE 1.3 G40 | 10-81→09-94 | 48 | ATE | 4293-G | 10618 | P-485501 | 1 | 55,2 |
| | 1.0 - 1.3 - 1.4D | | | ATE - BENDIX | | 10542 | P-484602 | 1 | 46,6 |
| | COUPE - 1.3 G40 | 10-81→09-94 | 12 | ATE | 30025-G | | | | |
| | ALL TYPES | 10-81→09-94 | 12 | ATE | 30026-G | | | | |
| | ALL TYPES (PRESSURE REDUCING VALVE) | 10-81→09-94 | 14,3 | FAG | 3476-G | | | | |
| | ALL TYPES | 10-81→09-94 | 17,5 | ATE - FAG | 3162-G | | | | |

POLO (III SERIES) 09-94→10-01

| | | | | | | | | | |
|--|-------------------------|-------------|------|----------------|----------------|-------|----------|---|------|
| | (6N1) 64 1.9SDI - (6N2) | 09-94→10-01 | 22,2 | ATE | 3475-G | | | | |
| | (6N1 - 6N2) | 09-94→10-01 | 22,2 | FAG | 3716-G | | | | |
| | (6N1) | 09-94→10-01 | 22,2 | ATE | 4677-G | | | | |
| | (6N2) 1.6 16V GTI (ABS) | 09-94→10-01 | 23,8 | ATE | 4806-G | | | | |
| | (6N1) | 09-94→10-99 | 48 | ATE | 4293-G | 10618 | P-485501 | 1 | 55,2 |
| | VAN | 09-94→09-01 | | | | 10545 | P-485401 | 1 | 54,6 |
| | (6N1) 45 - 55 - 75 | 09-94→10-01 | | BEDNIX - BOSCH | | 10542 | P-484602 | 1 | 46,6 |
| | (6KV5) 1.6 (DISC 20MM) | 09-94→10-01 | 54 | LUCAS | 3220-G | 10570 | P-545301 | 1 | 53,7 |
| | (6KV5) 1.6 (DISC 20MM) | 09-94→10-01 | 8 | LUCAS | 30001-G | | | | |
| | ALL TYPES (DISC 12MM) | 09-94→10-01 | 12 | ATE | 30025-G | | | | |
| | ALL TYPES (DISC 10MM) | 09-94→10-01 | 12 | ATE | 30026-G | | | | |
| | (6KV5) (ALUMINIUM BODY) | 09-94→10-01 | 19 | FAG | 3479-G | | | | |
| | ALL TYPES | 09-94→10-01 | 34 | LUCAS | 6007-G | 10677 | P-334601 | 1 | 46,8 |
| | | | | | | 11563 | K-334601 | 1 | 46,8 |
| | ALL TYPES | 09-94→10-01 | 34 | LUCAS | 6008-G | | | | |
| | ALL TYPES | 09-94→10-01 | 38 | LUCAS | 4770-G | 10523 | P-385101 | 1 | 51 |
| | | | | | | 11170 | K-385101 | 1 | 51 |
| | ALL TYPES | 09-94→10-01 | 38 | LUCAS | 4981-G | | | | |
| | VARIANT | 12-98→01-02 | 8 | LUCAS | 30004-G | | | | |
| | ALL TYPES | 09-94→10-01 | 23,8 | FAG | 4251-G | | | | |

POLO (IV SERIES) 10-01→11-09

| | | | | | | | | | |
|--|-----------------------|-------------|------|-------|----------------|-------|----------|---|------|
| | ALL TYPES (ABS) | 10-01→11-09 | 19 | FAG | 4854-G | | | | |
| | ALL TYPES | 10-01→11-09 | 20,6 | LUCAS | 4788-G | | | | |
| | ALL TYPES | 10-01→11-09 | 20,6 | FAG | 4855-G | | | | |
| | 1.4 (ABS) | 10-01→11-09 | 23,8 | ATE | 4806-G | | | | |
| | ALL TYPES (DISC 22MM) | 10-01→11-09 | 54 | ATE | 3660-G | 10885 | P-545801 | 1 | 58,5 |
| | ALL TYPES (DISC 25MM) | 10-01→11-09 | 54 | LUCAS | 4484-G | 10575 | P-545301 | 1 | 53,7 |
| | ALL TYPES (DISC 25MM) | 10-01→11-09 | 10 | LUCAS | 30078-G | | | | |
| | ALL TYPES (DISC 9MM) | 10-01→11-09 | 34 | LUCAS | 6007-G | 10677 | P-334601 | 1 | 46,8 |
| | | | | | | 11563 | K-334601 | 1 | 46,8 |
| | ALL TYPES | 10-01→11-09 | 34 | LUCAS | 6008-G | | | | |
| | ALL TYPES | 10-01→11-09 | 8 | LUCAS | 30004-G | | | | |
| | ALL TYPES | 10-01→11-09 | 19 | SACHS | 4994-G | | | | |



Master Cylinder



Front Caliper



Front Wheel Cylinder



Clutch Master Cylinder



Front Caliper Guides



Pressure Regulating Valve



Rear Caliper



Rear Wheel Cylinder



Clutch Slave Cylinder



Rear Caliper Guides



∅
(mm.)

VERSION



VOLKSWAGEN

15 of 19

POLO (V SERIES) 06-09 →

| | | | | | | | | | |
|--|-----------|---------|----|-------|----------------|-------|----------|---|------|
| | ALL TYPES | 06-09 → | 54 | ATE | 4318-G | 10890 | P-545502 | 1 | 55,5 |
| | ALL TYPES | 06-09 → | 34 | LUCAS | 6007-G | 10677 | P-334601 | 1 | 46,8 |
| | ALL TYPES | 06-09 → | 34 | LUCAS | 6008-G | 11563 | K-334601 | 1 | 46,8 |
| | ALL TYPES | 06-09 → | 8 | LUCAS | 30050-G | | | | |
| | ALL TYPES | 06-09 → | 10 | LUCAS | 30041-G | | | | |

POLO CLASSIC

| | | | | | | | | | |
|--|---------------------------------------|---------------|------|-------|----------------|-------|----------|---|------|
| | II SERIES | 11-95 → 07-06 | 48 | ATE | 4293-G | 10545 | P-485401 | 1 | 54,6 |
| | II SERIES 60 1.4i (-ABS) | | | | | 10542 | P-484602 | 1 | 46,6 |
| | II SERIES 75 (DISC 20MM) | 11-95 → 07-06 | 54 | LUCAS | 3220-G | 10570 | P-545301 | 1 | 53,7 |
| | II SERIES 75 (DISC 20MM) | 11-95 → 07-06 | 8 | LUCAS | 30001-G | | | | |
| | II SERIES | 11-95 → 07-06 | 12 | ATE | 30025-G | | | | |
| | I SERIES (DISC 10MM) | 01-85 → 09-94 | 12 | ATE | 30026-G | | | | |
| | I SERIES | 01-85 → 09-94 | 15,9 | FAG | 3248-G | | | | |
| | I SERIES (CAST IRON - ALUMINIUM BODY) | 01-85 → 09-94 | 15,9 | FAG | 3480-G | | | | |
| | I SERIES 57 1.7SDI (ALUMINIUM BODY) | 01-85 → 09-94 | 19 | FAG | 3479-G | | | | |
| | I SERIES 1.0 (CAST IRON BODY) | 01-85 → 09-94 | 19 | FAG | 3690-G | | | | |
| | II SERIES | 11-95 → 07-06 | 34 | LUCAS | 6007-G | 10677 | P-334601 | 1 | 46,8 |
| | II SERIES | 11-95 → 07-06 | 34 | LUCAS | 6008-G | 11563 | K-334601 | 1 | 46,8 |
| | II SERIES | 11-95 → 07-06 | 8 | LUCAS | 30004-G | | | | |
| | II SERIES 64 - 75 - 100 | 11-95 → 07-06 | 15,9 | FAG | 4521-G | | | | |
| | II SERIES 1.7 SDI - 1.9 SDI | 11-95 → 07-06 | 25,4 | FAG | 4523-G | | | | |

SANTANA

| | | | | | | | | | |
|--|---------------------------------------|---------------|------|-----------|---------------|-------|----------|---|------|
| | ALL TYPES | 08-81 → 12-85 | 20,6 | ATE - FAG | 3157-G | | | | |
| | ALL TYPES (HARD BOOT) | 08-81 → 12-85 | 48 | ATE | 3499-G | 10840 | P-485503 | 1 | 55 |
| | ALL TYPES (SOFT BOOT) | 08-81 → 12-85 | 48 | ATE | 4293-G | 10618 | P-485501 | 1 | 55,2 |
| | ALL TYPES (PRESSURING REDUCING VALVE) | 08-81 → 12-85 | 14,3 | ATE | 3159-G | | | | |
| | ALL TYPES (PRESSURING REDUCING VALVE) | 08-81 → 12-85 | 14,3 | FAG | 3476-G | | | | |
| | ALL TYPES (ALUMINIUM BODY) | 08-81 → 12-85 | 15,9 | FAG | 3480-G | | | | |
| | ALL TYPES EXCEPT TD | 08-81 → 12-85 | 17,5 | ATE - FAG | 3162-G | | | | |
| | TURBODIESEL | 08-81 → 12-85 | 17,5 | FAG | 3519-G | | | | |



Master Cylinder



Front Caliper



Front Wheel Cylinder



Clutch Master Cylinder



Front Caliper Guides



Pressure Regulating Valve



Rear Caliper



Rear Wheel Cylinder



Clutch Slave Cylinder



Rear Caliper Guides

Ø
(mm.)

VERSION



VOLKSWAGEN

16 of 19

SCIROCCO

| | | | | | | | | | |
|--|-------------------------------------|-------------|------|----------------|----------------|-------|----------|---|------|
| | ALL TYPES (-SERVO) | 01-74→01-77 | 17,5 | ATE | 3164-G | | | | |
| | ALL TYPES (-SERVO) | 01-74→01-77 | 17,5 | FAG | 3191-G | | | | |
| | ALL TYPES (CH.53E022075→) | | 20,6 | BEDNIX - BOSCH | 3127-G | | | | |
| | ALL TYPES | 01-74→01-83 | 20,6 | ATE - FAG | 3157-G | | | | |
| | CH. 53E022075→ | | 20,6 | ATE | 3243-G | | | | |
| | ALL TYPES | 03-86→01-93 | 20,6 | FAG | 3986-G | | | | |
| | ALL TYPES | →01-83 | 44 | ATE | 3163-G | 11754 | P-445301 | 1 | 53 |
| | ALL TYPES (2 PISTONS) | 00-74→07-80 | 44 | LUCAS | 3701-G | 11764 | P-442903 | 2 | 29 |
| | ALL TYPES (HARD BOOT) | 04-74→12-89 | 48 | ATE | 10280-G | | | | |
| | ALL TYPES (HARD BOOT) | 04-74→12-89 | 48 | ATE | 3499-G | 10840 | P-485503 | 1 | 55 |
| | ALL TYPES (SOFT BOOT) | 08-80→07-92 | 48 | ATE | 4293-G | 10618 | P-485501 | 1 | 55,2 |
| | 1.8 GT - GTX 16V | 10-85→07-92 | 54 | LUCAS | 3220-G | 10570 | P-545301 | 1 | 53,7 |
| | ALL TYPES (HARD BOOT) | 05-08→ | 54 | ATE | 4318-G | 10890 | P-545502 | 1 | 55,5 |
| | 1.8 GT - GTX 16V | 10-85→07-92 | 8 | LUCAS | 30001-G | | | | |
| | ALL TYPES (DISC 12-18MM VENTILATED) | 04-74→07-92 | 12 | ATE | 30025-G | | | | |
| | ALL TYPES | 04-74→12-89 | 12 | ATE | 30091-G | | | | |
| | ALL TYPES (PRESSURE REDUCING VALVE) | | 14,3 | ATE | 3159-G | | | | |
| | ALL TYPES (PRESSURE REDUCING VALVE) | | 14,3 | FAG | 3476-G | | | | |
| | ALL TYPES | | 17,5 | ATE - FAG | 3162-G | | | | |
| | ALL TYPES | 10-85→07-92 | 36 | LUCAS | 3257-G | 10518 | P-364801 | 1 | 48 |
| | ALL TYPES | 10-85→07-92 | 8 | LUCAS | 30001-G | | | | |
| | ALL TYPES | 05-08→ | 8 | LUCAS | 30004-G | | | | |
| | 1.4 TSI - 2.0TDI | 05-08→ | 10 | BOSCH | 30014-G | | | | |

SHARAN

| | | | | | | | | | |
|--|--------------------------|-------------|------|-------|----------------|-------|----------|---|------|
| | I SERIES (ABS) | 03-95→03-10 | 25,4 | ATE | 4686-G | | | | |
| | I SERIES 1.9TDI - 2.0TDI | 06-05→03-10 | 25,4 | ATE | 4830-G | | | | |
| | I SERIES (DISC 25MM) | 05-95→04-00 | 57 | ATE | 3391-G | 10933 | P-575801 | 1 | 58,5 |
| | I SERIES (DISC 26MM) | 04-00→03-10 | 57 | ATE | 4757-G | 10934 | P-575801 | 1 | 58,5 |
| | I SERIES | 05-95→04-00 | 57 | ATE | 4983-G | | | | |
| | I SERIES | 04-00→03-10 | 12 | ATE | 30095-G | | | | |
| | I SERIES | 04-00→03-10 | 38 | LUCAS | 4442-G | 10520 | P-385101 | 1 | 51 |
| | | | | | | 11651 | K-385101 | 1 | 51 |
| | I SERIES | 09-95→04-00 | 38 | LUCAS | 4770-G | 10523 | P-385101 | 1 | 51 |
| | | | | | | 11170 | K-385101 | 1 | 51 |
| | I SERIES | 09-95→04-00 | 38 | LUCAS | 4977-G | | | | |
| | I SERIES (DISC 10MM) | 09-95→04-00 | 8 | LUCAS | 30001-G | | | | |
| | I SERIES | 04-00→03-10 | 8 | LUCAS | 30004-G | | | | |
| | I SERIES | 05-95→03-10 | 19 | FAG | 4141-G | | | | |

TARO

| | | | | | | | | | |
|--|-----------------|-------------|----|----------|----------------|-------|----------|---|------|
| | ALL TYPES (4WD) | 06-89→03-97 | 43 | SUMITOMO | 3838-G | 10612 | P-422801 | 4 | 28,5 |
| | ALL TYPES | 06-89→03-97 | 60 | AISIN | 4266-G | 10965 | P-604803 | 1 | 48,2 |
| | ALL TYPES | 06-89→03-97 | 16 | AISIN | 30114-G | | | | |

TIGUAN

| | | | | | | | | | |
|--|-------------------------------|--------|----|-----|----------------|-------|----------|---|----|
| | 4 MOTION (ELECTRIC HANDBRAKE) | 09-07→ | 41 | TRW | 6085-G | 11207 | P-415201 | 1 | 52 |
| | ALL TYPES | 09-07→ | 8 | TRW | 30004-G | | | | |



Master Cylinder



Front Caliper



Front Wheel Cylinder



Clutch Master Cylinder



Front Caliper Guides



Pressure Regulating Valve



Rear Caliper



Rear Wheel Cylinder



Clutch Slave Cylinder



Rear Caliper Guides

Ø
(mm.)

VERSION



VOLKSWAGEN

17 of 19

TOUAREG

| | | | | | | | | | |
|--|--|-------------|----|--------|----------------|-------|----------|---|------|
| | WHEEL 18" DISC 350 MM | 01-03→ | 30 | BREMBO | 6058-G | 11543 | P-383103 | 2 | 31,5 |
| | | | | | | | P-343101 | 2 | 31,5 |
| | | | | | | | P-303101 | 2 | 31,5 |
| | WHEEL 17" DISC 330 MM | 01-03→11-06 | 34 | BREMBO | 6060-G | 11544 | P-383103 | 2 | 31,5 |
| | | | | | | | P-363101 | 2 | 31,5 |
| | | | | | | | P-343101 | 2 | 31,5 |
| | R5 - 3.0V6 - 5.0 V10 - 6.0 V12 (6 PISTONS) | 10-02→05-10 | 36 | BREMBO | 6232-G | 11607 | P-363004 | 6 | 30 |
| | ALL TYPES | 01-06→ | 46 | BREMBO | 6140-G | 10999 | P-463201 | 4 | 32 |
| | ALL TYPES (HARD BOOT) | 01-02→ | 60 | ATE | 4758-G | 10961 | P-605502 | 1 | 55,5 |
| | ALL TYPES | 01-02→ | 12 | ATE | 30095-G | | | | |
| | ALL TYPES (DISC 330X28MM) | 10-02→ | 28 | BREMBO | 6217-G | 11001 | P-303202 | 2 | 32 |
| | | | | | | | P-283202 | 2 | 32 |
| | ALL TYPES | 10-02→ | 30 | BREMBO | 6100-G | 11010 | P-303202 | 4 | 32 |
| | ALL TYPES | 10-02→ | 44 | ATE | 4891-G | 11753 | P-445501 | 1 | 55,5 |
| | ALL TYPES (17" WHEEL) | 10-02→ | 44 | BREMBO | 6146-G | 11277 | P-443202 | 2 | 32 |

TOURAN

| | | | | | | | | | |
|--|-----------|--------|------|-------|----------------|-------|------------|---|------|
| | ALL TYPES | 02-03→ | 23,8 | ATE | 4806-G | | | | |
| | ALL TYPES | 02-03→ | 54 | ATE | 4318-G | 10890 | P-545502 | 1 | 55,5 |
| | ALL TYPES | 02-03→ | 54 | ATE | 6033-G | | | | |
| | ALL TYPES | 02-03→ | 24 | ATE | 4331-G | | | | |
| | ALL TYPES | 02-03→ | 38 | BOSCH | 4858-G | 10631 | P-384901 | 1 | 49 |
| | | | | | | 11617 | K-384901-R | 1 | 49 |
| | | | | | | 11616 | K-384901-L | 1 | 49 |
| | ALL TYPES | 02-03→ | 41 | LUCAS | 4289-G | 10610 | P-415101 | 1 | 51 |
| | | | | | | 11696 | K-415101 | 1 | 51 |
| | ALL TYPES | 02-03→ | 41 | LUCAS | 6031-G | | | | |
| | ALL TYPES | 02-03→ | 8 | LUCAS | 30004-G | | | | |
| | ALL TYPES | 02-03→ | 15,9 | SACHS | 4913-G | | | | |
| | ALL TYPES | 02-03→ | 19 | SACHS | 4994-G | | | | |

TRANSPORTER (I SERIES) 01-50→10-70

| | | | | | | | | | |
|--|-----------|-------------|------|-----|---------------|--|--|--|--|
| | ALL TYPES | 01-50→10-70 | 25,4 | ATE | 3697-G | | | | |
| | ALL TYPES | 01-50→10-70 | 22,2 | ATE | 3698-G | | | | |

TRANSPORTER (II SERIES) 08-67→09-79

| | | | | | | | | | |
|--|-----------------------|-------------|------|---------|---------------|-------|----------|---|------|
| | ALL TYPES | 08-67→09-79 | 20,6 | ATE | 3694-G | | | | |
| | ALL TYPES | 08-67→09-79 | 22,2 | ATE | 3693-G | | | | |
| | ALL TYPES | 08-67→09-79 | 23,8 | ATE | 3176-G | | | | |
| | ALL TYPES (SOFT BOOT) | 08-67→09-79 | 54 | ATE | 3041-G | 11397 | P-542905 | 2 | 29,3 |
| | ALL TYPES (HARD BOOT) | 08-67→09-79 | 54 | ATE | 3702-G | 10884 | P-543301 | 2 | 33 |
| | ALL TYPES (SOFT BOOT) | 08-67→09-79 | 54 | GIRLING | 4337-G | 11367 | P-543201 | 2 | 32,5 |
| | ALL TYPES | 08-67→09-79 | 23,8 | ATE | 3699-G | | | | |
| | ALL TYPES | 08-67→09-79 | 25,4 | ATE | 10300 | | | | |
| | ALL TYPES | 08-67→09-79 | 25,4 | ATE | 3700-G | | | | |



Master Cylinder



Front Caliper



Front Wheel Cylinder



Clutch Master Cylinder



Front Caliper Guides



Pressure Regulating Valve



Rear Caliper



Rear Wheel Cylinder



Clutch Slave Cylinder



Rear Caliper Guides

Ø
(mm.)

VERSION



VOLKSWAGEN

18 of 19

TRANSPORTER (III SERIES) 05-79→12-92

| | | | | | | | | | |
|--|-----------------------|-------------|------|---------|----------------|-------|----------|---|------|
| | ALL TYPES (HARD BOOT) | 01-68→07-92 | 54 | ATE | 3702-G | 10884 | P-543301 | 2 | 33 |
| | ALL TYPES (SOFT BOOT) | 05-79→12-92 | 54 | GIRLING | 4337-G | 11367 | P-543201 | 2 | 32,5 |
| | ALL TYPES (SOFT BOOT) | 05-79→12-92 | 60 | ATE | 3133-G | 10596 | P-605302 | 1 | 53 |
| | ALL TYPES | 05-79→12-92 | 60 | LUCAS | 3135-G | 10592 | P-605301 | 1 | 53 |
| | III SERIES | | 8 | LUCAS | 30001-G | | | | |
| | ALL TYPES | 05-79→12-92 | 23,8 | ATE | 3699-G | | | | |
| | ALL TYPES | 05-79→12-92 | 19 | FAG | 3695-G | | | | |
| | ALL TYPES | 05-79→12-92 | 25,4 | ATE | 10300 | | | | |
| | III SERIES | 05-79→12-92 | 25,4 | FAG | 10301 | | | | |
| | ALL TYPES | 05-79→12-92 | 25,4 | FAG | 3291-G | | | | |
| | ALL TYPES | 05-79→12-92 | 25,4 | ATE | 3700-G | | | | |

TRANSPORTER (IV SERIES) 07-90→04-03

| | | | | | | | | | |
|--|-------------------------------|-------------|------|-----------------|----------------|-------|----------|---|------|
| | ALL TYPES (CAST IRON BODY) | 07-90→04-03 | 22,2 | BEDNIX - BOSCH | 3361-G | | | | |
| | ALL TYPES (ALUMINIUM BODY) | 07-90→04-03 | 22,2 | ATE | 3475-G | | | | |
| | ALL TYPES | 07-90→04-03 | 22,2 | FAG | 3716-G | | | | |
| | ALL TYPES (DISC 24MM) | 07-90→04-03 | 54 | GIRLING - LUCAS | 4552-G | 10576 | P-545301 | 1 | 53,7 |
| | ALL TYPES (DISC 16-18MM) | 07-90→04-03 | 54 | LUCAS | 4982-G | 10918 | P-545301 | 1 | 53,7 |
| | ALL TYPES (SOFT CALIPER BOOT) | 07-90→04-03 | 57 | ATE | 3391-G | 10933 | P-575801 | 1 | 58,5 |
| | 16" WHEEL (HARD BOOT) | 07-90→04-03 | 57 | ATE | 4767-G | 10590 | P-575504 | 1 | 55,4 |
| | ALL TYPES | 07-90→04-03 | 57 | ATE | 4983-G | | | | |
| | ALL TYPES | 07-90→04-03 | 8 | LUCAS | 30003-G | | | | |
| | ALL TYPES | 07-90→04-03 | 10 | LUCAS | 30072-G | | | | |
| | ALL TYPES (15" WHEEL) | 11-92→06-95 | 10 | LUCAS | 30141-G | | | | |
| | ALL TYPES (DISC 282X18MM) | 07-95→04-03 | | GIRLING | | | | | |
| | ALL TYPES (DISC 300X30MM) | 07-90→04-03 | 12 | ATE | 30095-G | | | | |
| | ALL TYPES | 07-90→04-03 | 19 | BEDNIX - BOSCH | 4215-G | | | | |
| | ALL TYPES | 07-90→04-03 | 20,6 | BEDNIX - BOSCH | 4217-G | | | | |
| | ALL TYPES | 07-90→04-03 | 38 | LUCAS | 4442-G | 10520 | P-385101 | 1 | 51 |
| | | | | | | 11651 | K-385101 | 1 | 51 |
| | ALL TYPES | 07-90→04-03 | 8 | LUCAS | 30004-G | | | | |
| | ALL TYPES | 07-90→04-03 | 19 | ATE | 3477-G | | | | |
| | ALL TYPES | 07-90→04-03 | 19 | FAG | 4253-G | | | | |
| | ALL TYPES | 07-90→04-03 | 22,2 | FAG | 4557-G | | | | |
| | ALL TYPES | 07-90→04-03 | 23 | ATE - FAG | 3478-G | | | | |

TRANSPORTER (V SERIES) 04-03→

| | | | | | | | | | |
|--|------------------------|--------|----|-------|----------------|-------|----------|---|------|
| | ALL TYPES (17" WHEEL) | 04-03→ | 44 | ATE | 6151-G | 10998 | P-445501 | 2 | 55,5 |
| | ALL TYPES (HARD BOOT) | 04-03→ | 60 | ATE | 4758-G | 10961 | P-605502 | 1 | 55,5 |
| | ALL TYPES | 04-03→ | 12 | ATE | 30095-G | | | | |
| | ALL TYPES | 04-03→ | 41 | LUCAS | 4289-G | 10610 | P-415101 | 1 | 51 |
| | | | | | | 11696 | K-415101 | 1 | 51 |
| | ALL TYPES | 04-03→ | 41 | LUCAS | 6031-G | | | | |
| | ALL TYPES | 04-03→ | 44 | ATE | 4891-G | 11753 | P-445501 | 1 | 55,5 |
| | ALL TYPES (DISC 294MM) | 04-03→ | 10 | LUCAS | 30041-G | | | | |



Master Cylinder



Front Caliper



Front Wheel Cylinder



Clutch Master Cylinder



Front Caliper Guides



Pressure Regulating Valve



Rear Caliper



Rear Wheel Cylinder



Clutch Slave Cylinder



Rear Caliper Guides



∅
(mm.)

VERSION



VOLKSWAGEN

19 of 19

VENTO

| | | | | | | | | | |
|--|----------------------------|-------------|-------|----------------|----------------|-------|----------|---|------|
| | ALL TYPES | 01-92→01-94 | 20,6 | ATE | 3474-G | | | | |
| | ALL TYPES | 01-92→01-94 | 20,6 | BEDNIX - BOSCH | 3692-G | | | | |
| | ALL TYPES (CAST IRON BODY) | 01-94→ | 22,2 | BEDNIX - BOSCH | 3361-G | | | | |
| | ALL TYPES (ALUMINIUM BODY) | 01-94→ | 22,2 | ATE | 3475-G | | | | |
| | ALL TYPES | 01-92→01-98 | 22,2 | FAG | 3716-G | | | | |
| | ALL TYPES | 01-92→01-98 | 22,2 | ATE | 4677-G | | | | |
| | ALL TYPES (ABS) | 01-92→ | 23,8 | ATE | 4806-G | | | | |
| | ALL TYPES | 11-91→09-98 | 48 | ATE | 4293-G | 10618 | P-485501 | 1 | 55,2 |
| | ALL TYPES | 11-91→09-98 | 54 | LUCAS | 3220-G | 10570 | P-545301 | 1 | 53,7 |
| | 2.0 - 2.8 | 11-91→09-98 | 54 | ATE | 3660-G | 10885 | P-545801 | 1 | 58,5 |
| | ALL TYPES | 11-91→09-98 | 8 | LUCAS | 30001-G | | | | |
| | ALL TYPES | 11-91→09-98 | 12 | ATE | 30025-G | | | | |
| | ALL TYPES | | 17,46 | FAG | 4862-G | | | | |
| | ALL TYPES | 01-92→01-94 | 17,5 | ATE | 3162-G | | | | |
| | 1.6 | 01-94→09-98 | 19 | FAG | 3690-G | | | | |
| | ALL TYPES | 01-92→09-92 | 38 | LUCAS | 3247-G | 10521 | P-385101 | 1 | 51 |
| | | | | | | 11652 | K-385101 | 1 | 51 |
| | ALL TYPES | 10-92→ | 38 | LUCAS | 4770-G | 10523 | P-385101 | 1 | 51 |
| | | | | | | 11170 | K-385101 | 1 | 51 |
| | ALL TYPES | 01-92→ | 38 | LUCAS | 4981-G | | | | |
| | ALL TYPES | 01-92→09-98 | 8 | LUCAS | 30001-G | | | | |
| | 1.9 SDI | 04-97→09-98 | 15,9 | FAG | 4521-G | | | | |
| | ALL TYPES | | 19 | ATE | 3477-G | | | | |
| | ALL TYPES | 01-92→ | 22,2 | FAG | 4557-G | | | | |
| | ALL TYPES | 01-92→ | 23 | ATE - FAG | 3478-G | | | | |
| | 1.9 SDI | 04-97→09-98 | 25,4 | FAG | 4523-G | | | | |



Master Cylinder



Front Caliper



Front Wheel Cylinder



Clutch Master Cylinder



Front Caliper Guides



Pressure Regulating Valve



Rear Caliper



Rear Wheel Cylinder



Clutch Slave Cylinder



Rear Caliper Guides

Ø
(mm.)

VERSION



VOLVO

1 of 5

140 - 164

| | | | | | | | | | |
|--|------------------|-------------|------|-------|---------------|-------|----------|---|------|
| | ALL TYPES (-ABS) | 08-66→08-75 | 15,9 | ATE | 3213-G | | | | |
| | 140 (SERVO) | 08-66→08-75 | 22,2 | ATE | 3117-G | | | | |
| | 140 (-SERVO) | 08-66→08-75 | 22,2 | ATE | 3969-G | | | | |
| | ALL TYPES | 08-66→08-75 | 36 | ATE | 3321-G | 10681 | P-362901 | 4 | 29,2 |
| | ALL TYPES | 08-66→08-75 | 36 | LUCAS | 3816-G | 10727 | P-362801 | 4 | 28,8 |
| | ALL TYPES | 08-66→08-75 | 36 | LUCAS | 4372-G | 10728 | P-362801 | 2 | 28,8 |
| | ALL TYPES | 08-66→08-75 | 38 | LUCAS | 3371-G | 10665 | P-382801 | 2 | 28,5 |
| | ALL TYPES | 08-66→08-75 | 38 | ATE | 3451-G | 10603 | P-382901 | 2 | 29,9 |
| | ALL TYPES | 08-66→08-75 | 19 | ATE | 3955-G | | | | |
| | ALL TYPES | 08-66→08-75 | 23,8 | ATE | 4155-G | | | | |

240 - 260

| | | | | | | | | | |
|--|--------------------------|-------------|------|-------------|---------------|-------|----------|---|------|
| | ALL TYPES | 08-74→12-93 | 15,9 | ATE | 3213-G | | | | |
| | ALL TYPES | 08-74→12-93 | 36 | ATE | 3321-G | 10681 | P-362901 | 4 | 29,2 |
| | ALL TYPES | 08-74→12-93 | 36 | GIRLING | 3816-G | 10727 | P-362801 | 4 | 28,8 |
| | ALL TYPES | 08-74→12-93 | 38 | LUCAS | 3817-G | 10664 | P-382801 | 4 | 28,5 |
| | ALL TYPES | 08-74→12-93 | 38 | LUCAS | 3371-G | 10665 | P-382801 | 2 | 28,5 |
| | ALL TYPES | 08-74→12-93 | 38 | ATE | 3451-G | 10603 | P-382901 | 2 | 29,9 |
| | ALL TYPES | 08-74→12-93 | 19 | FAG | 3736-G | | | | |
| | ALL TYPES (BOOT) | 08-74→12-93 | 19 | AP LOCKHEED | 3737-G | | | | |
| | ALL TYPES (WITHOUT BOOT) | 08-74→12-93 | 19 | AP LOCKHEED | 4364-G | | | | |
| | ALL TYPES | 08-74→12-93 | 20,6 | FAG | 3397-G | | | | |
| | ALL TYPES (RHD) | 08-74→12-93 | 22,2 | AP LOCKHEED | 4333-G | | | | |
| | ALL TYPES | 08-74→12-93 | 25,4 | FAG | 3215-G | | | | |

340 - 360

| | | | | | | | | | |
|--|-------------------------|-------------|------|----------------|----------------|-------|----------|---|------|
| | ALL TYPES | 08-75→07-91 | 20,6 | BEDNIX - BOSCH | 3735-G | | | | |
| | ALL TYPES | 08-75→07-91 | 22,2 | ATE | 3117-G | | | | |
| | ALL TYPES (DISC 10MM) | 08-75→07-91 | 48 | LUCAS | 2643-G | 10615 | P-482901 | 2 | 29 |
| | ALL TYPES (DISC 12,7MM) | 08-75→07-91 | 48 | LUCAS | 3267-G | 10537 | P-485302 | 1 | 53,6 |
| | ALL TYPES (DISC 12,7MM) | 08-75→07-91 | 8 | LUCAS | 30003-G | | | | |
| | ALL TYPES | 08-75→07-91 | 19 | LUCAS | 3071-G | | | | |
| | ALL TYPES | 08-75→07-91 | 20,6 | LUCAS | 3031-G | | | | |

440 - 460 - 480

| | | | | | | | | | |
|--|------------------------------|-------------|------|----------------|----------------|-------|----------|---|------|
| | ALL TYPES | 04-86→12-96 | 20,6 | BEDNIX - BOSCH | 3127-G | | | | |
| | ALL TYPES (VENTILATED DISCS) | 04-86→12-96 | 54 | ATE | 3073-G | | | | |
| | ALL TYPES | 12-89→12-96 | 54 | LUCAS | 3220-G | 10570 | P-545301 | 1 | 53,7 |
| | | 04-86→12-89 | | | | 10625 | P-544601 | 1 | 46 |
| | ALL TYPES | 04-86→12-96 | 8 | LUCAS | 30003-G | | | | |
| | ALL TYPES | 04-86→12-96 | 20,6 | LUCAS | 3031-G | | | | |
| | ALL TYPES (ABS) | 04-86→12-96 | 33 | ATE | 3422-G | 10601 | P-334401 | 1 | 44,1 |
| | ALL TYPES (-ABS) | | | | | 11538 | K-334401 | 1 | 44,1 |
| | ALL TYPES | 04-86→12-96 | 12 | ATE | 30023-G | | | | |

66

| | | | | | | | | | |
|--|-----------|-------------|-------|-------|---------------|-------|----------|---|------|
| | ALL TYPES | 08-75→11-79 | 44 | ATE | 4258-G | 11759 | P-442901 | 2 | 29,5 |
| | ALL TYPES | 08-75→11-79 | 15,87 | LUCAS | 6341-G | | | | |



Master Cylinder



Front Caliper



Front Wheel Cylinder



Clutch Master Cylinder



Front Caliper Guides



Pressure Regulating Valve



Rear Caliper



Rear Wheel Cylinder



Clutch Slave Cylinder



Rear Caliper Guides

Ø
(mm.)

VERSION



VOLVO

2 of 5

740 - 760 - 780

| | | | | | | | | | |
|--|-------------------------------|-------------|------|----------------|----------------|-------|----------|---|------|
| | ALL TYPES (-ABS) | 08-81→08-92 | 15,9 | ATE | 3213-G | | | | |
| | ALL TYPES | 08-81→08-92 | 16,8 | ATE | 3779-G | | | | |
| | ALL TYPES (ABS) | 08-81→08-92 | 19 | ATE | 3445-G | | | | |
| | ALL TYPES (SOFT CALIPER BOOT) | 08-81→08-92 | 40 | BEDNIX - BOSCH | 3466-G | 10661 | P-404901 | 2 | 49 |
| | ALL TYPES | 08-81→08-92 | 40 | LUCAS | 3819-G | 10754 | P-404903 | 2 | 49,6 |
| | 740 - 760 (HARD BOOT) | 08-81→08-92 | 40 | BEDNIX - BOSCH | 4368-G | 10662 | P-404901 | 2 | 49 |
| | ALL TYPES | 01-82→01-90 | 40 | BEDNIX - BOSCH | 4640-G | 10757 | P-404901 | 2 | 49 |
| | 740 - 780 (ABS) | 04-83→08-92 | 57 | LUCAS | 3839-G | 10585 | P-575001 | 1 | 49,8 |
| | ALL TYPES | 08-81→08-92 | 8 | LUCAS | 30003-G | | | | |
| | 740 (ABS) | 04-83→08-92 | 10 | LUCAS | 30079-G | | | | |
| | ALL TYPES | 08-81→08-92 | 16 | BEDNIX - BOSCH | 30116-G | | | | |
| | 740 - 760 | 08-81→08-92 | 34 | ATE | 4431-G | 10712 | P-343001 | 2 | 30 |
| | ALL TYPES (HARD BOOT) | 08-81→08-92 | 36 | ATE | 3832-G | 11594 | P-363002 | 2 | 30 |
| | ALL TYPES (HARD BOOT) | 08-81→08-92 | 38 | ATE | 4316-G | 10604 | P-383004 | 2 | 30 |
| | 760 - 780 (MULTI LINK AXLE) | 08-81→07-92 | 38 | LUCAS | 4440-G | 10687 | P-384101 | 1 | 41,5 |
| | ALL TYPES | 08-81→08-92 | 40 | ATE | 3513-G | 10753 | P-403001 | 2 | 30 |
| | 760 - 780 | 08-81→07-92 | 8 | LUCAS | 30001-G | | | | |
| | 740 - 760 2.3T - 2.4TD | 08-81→08-92 | 19 | FAG | 3214-G | | | | |
| | 740 - 760 EXCEPT 2.3T - 2.4TD | 08-81→08-92 | 19 | FAG | 3736-G | | | | |
| | ALL TYPES | 08-81→08-92 | 20,6 | FAG | 3397-G | | | | |
| | ALL TYPES | 08-81→08-92 | 22,2 | FAG | 3775-G | | | | |
| | 4 CYLINDERTURBO | 01-83→01-84 | 25,4 | FAG | 3215-G | | | | |
| | 760 2.8 | 08-81→07-92 | 25,4 | FAG | 3776-G | | | | |

850

| | | | | | | | | | |
|--|-------------------------------|-------------|------|-----|---------------|-------|----------|---|----|
| | ALL TYPES | 06-91→10-97 | 20,6 | ATE | 4675-G | | | | |
| | ALL TYPES | 06-91→10-97 | 57 | ATE | 3391-G | 10579 | P-575301 | 1 | 53 |
| | ALL TYPES | 06-91→10-97 | 57 | ATE | 4983-G | | | | |
| | ALL TYPES (SOFT CALIPER BOOT) | 06-91→10-97 | 38 | ATE | 3831-G | | | | |
| | ALL TYPES (HARD BOOT) | 06-91→10-97 | 38 | ATE | 4316-G | 10604 | P-383004 | 2 | 30 |
| | ALL TYPES | 06-91→10-97 | 19 | FAG | 4122-G | | | | |
| | ALL TYPES (ALUMINIUM BODY) | 06-91→10-97 | 22,2 | FAG | 6020-G | | | | |



Master Cylinder



Front Caliper



Front Wheel Cylinder



Clutch Master Cylinder



Front Caliper Guides



Pressure Regulating Valve



Rear Caliper



Rear Wheel Cylinder



Clutch Slave Cylinder



Rear Caliper Guides

Ø
(mm.)

VERSION



VOLVO

3 of 5

940 - 960

| | | | | | | | | | |
|--|-------------------------------|-------------|------|----------------|----------------|-------|----------|---|------|
| | ALL TYPES (-ABS) | 08-90→10-95 | 16,8 | ATE | 3779-G | | | | |
| | ALL TYPES (ABS) | 08-90→10-95 | 19 | ATE | 3445-G | | | | |
| | ALL TYPES (SOFT CALIPER BOOT) | 08-90→12-98 | 40 | BEDNIX - BOSCH | 3466-G | 10661 | P-404901 | 2 | 49 |
| | ALL TYPES | 08-90→12-98 | 40 | LUCAS | 3819-G | 10754 | P-404903 | 2 | 49,6 |
| | ALL TYPES (HARD BOOT) | 08-90→12-98 | 40 | BEDNIX - BOSCH | 4368-G | 10662 | P-404901 | 2 | 49 |
| | 940 | 08-90→12-98 | 57 | ATE | 3391-G | 10579 | P-575301 | 1 | 53 |
| | ALL TYPES (ABS) | 08-90→12-98 | 57 | LUCAS | 3839-G | 10585 | P-575001 | 1 | 49,8 |
| | 940 | 08-90→12-98 | 57 | ATE | 4983-G | | | | |
| | ALL TYPES | 08-90→12-98 | 8 | LUCAS | 30003-G | | | | |
| | ALL TYPES (ABS) | 08-90→12-98 | 10 | LUCAS | 30079-G | | | | |
| | ALL TYPES | 08-90→12-98 | 16 | BEDNIX - BOSCH | 30116-G | | | | |
| | ALL TYPES (HARD BOOT) | 08-90→12-98 | 36 | ATE | 3832-G | 11594 | P-363002 | 2 | 30 |
| | ALL TYPES (HARD BOOT) | 08-90→12-98 | 38 | ATE | 4316-G | 10604 | P-383004 | 2 | 30 |
| | ALL TYPES (MULTI LINK AXLE) | 08-90→12-98 | 38 | LUCAS | 4440-G | 10687 | P-384101 | 1 | 41,5 |
| | ALL TYPES | 08-90→12-98 | 40 | ATE | 3513-G | 10753 | P-403001 | 2 | 30 |
| | ALL TYPES (MULTI LINK AXLE) | 08-90→12-98 | 40 | GIRLING | 4369-G | 10755 | P-404101 | 1 | 41,7 |
| | ALL TYPES | 08-90→12-98 | 8 | LUCAS | 30001-G | | | | |
| | ALL TYPES | 08-90→12-98 | 19 | FAG | 3736-G | | | | |
| | ALL TYPES | 08-90→12-98 | 20,6 | FAG | 3397-G | | | | |
| | ALL TYPES | 08-90→12-98 | 22,2 | FAG | 3775-G | | | | |

AMAZON

| | | | | | | | | | |
|--|------------------|-------------|----|---------|---------------|-------|----------|---|------|
| | DUAL LINE SYSTEM | 05-59→05-71 | 36 | | 3816-G | 10727 | P-362801 | 4 | 28,8 |
| | ALL TYPES | 05-59→05-71 | 54 | GIRLING | 6021-G | 10897 | P-542902 | 1 | 29 |
| | | | | | | | P-382803 | 2 | 29 |

C30

| | | | | | | | | | |
|--|-----------|--------|----|-----|---------------|-------|----------|---|------|
| | ALL TYPES | 10-06→ | 57 | ATE | 4768-G | 10589 | P-575504 | 1 | 55,4 |
| | ALL TYPES | 10-06→ | 38 | ATE | 4797-G | 10667 | P-384902 | 1 | 49,7 |
| | | | | | | 11646 | K-384902 | 1 | 49,7 |

S40 - V40 - V50

| | | | | | | | | | |
|--|-----------|-------------|------|-------|----------------|-------|----------|---|------|
| | I SERIES | 07-95→06-04 | 54 | LUCAS | 4481-G | 10564 | P-544901 | 1 | 49,8 |
| | II SERIES | 01-04→ | 57 | ATE | 4768-G | 10589 | P-575504 | 1 | 55,4 |
| | | | | | | 10932 | P-575503 | 1 | 55,5 |
| | I SERIES | 07-95→06-04 | 10 | LUCAS | 30078-G | | | | |
| | I SERIES | 07-00→06-04 | 38 | LUCAS | 4442-G | 10520 | P-385101 | 1 | 51 |
| | | | | | | 11651 | K-385101 | 1 | 51 |
| | I SERIES | 01-95→07-00 | 38 | LUCAS | 4770-G | 10523 | P-385101 | 1 | 51 |
| | | | | | | 11170 | K-385101 | 1 | 51 |
| | II SERIES | 01-04→ | 38 | ATE | 4797-G | 10667 | P-384902 | 1 | 49,7 |
| | | | | | | 11646 | K-384902 | 1 | 49,7 |
| | I SERIES | 07-95→07-00 | 38 | LUCAS | 4981-G | | | | |
| | I SERIES | 07-95→06-04 | 8 | LUCAS | 30004-G | | | | |
| | I SERIES | 07-95→06-04 | 15,9 | NABCO | 3521-G | | | | |
| | I SERIES | 07-95→06-04 | 20,6 | | 3529-G | | | | |



Master Cylinder



Front Caliper



Front Wheel Cylinder



Clutch Master Cylinder



Front Caliper Guides



Pressure Regulating Valve



Rear Caliper



Rear Wheel Cylinder



Clutch Slave Cylinder



Rear Caliper Guides

Ø
(mm.)

VERSION



VOLVO

4 of 5

S60 - S80

| | | | | | | | | | |
|--|---|-------------|-----|--------|----------------|-------|----------|---|------|
| | I SERIES S60 R2.5 T AWD | 07-02→04-10 | 38 | BREMBO | 6049-G | 11663 | P-423005 | 2 | 30 |
| | | | | | | | P-383005 | 2 | 30 |
| | I SERIES S60 | 07-00→04-10 | 57 | ATE | 4768-G | 10589 | P-575504 | 1 | 55,4 |
| | I - II SERIES 15"-16" WHEEL (HARD BOOT) | 07-00→ | 60 | ATE | 4565-G | 10963 | P-605502 | 1 | 55,5 |
| | I - II SERIES (17" WHEEL) | | | | | 10969 | P-605501 | 1 | 55,5 |
| | I - II SERIES (17" WHEEL) | 07-00→ | 12 | ATE | 30094-G | | | | |
| | S60 2.5R AWD | 03-03→ | 28 | BREMBO | 6217-G | 11002 | P-303001 | 2 | 30 |
| | | | | | | | P-283001 | 2 | 30 |
| | II SERIES S80 (-ELECTRIC HANDBRAKE) | 03-06→ | 38 | LUCAS | 6043-G | 10736 | P-385301 | 1 | 53,6 |
| | II SERIES S80 (ELECTRIC HANDBRAKE) | 03-06→ | 38 | TRW | 6188-G | 11629 | P-385202 | 1 | 52 |
| | II SERIES S60 - S80 | 03-06→ | 41 | TRW | 6085-G | 11207 | P-415201 | 1 | 52 |
| | I SERIES S60 - S80 | 05-98→04-10 | 42 | ATE | 4623-G | 11219 | P-424901 | 1 | 49 |
| | II SERIES S60 - S80 | 03-06→ | 8,4 | LUCAS | 30046-G | | | | |
| | I SERIES S60 | 07-00→04-10 | 19 | FAG | 4148-G | | | | |

S70 - V70 - C70

| | | | | | | | | | |
|--|---|-------------|------|--------|----------------|-------|----------|---|------|
| | I SERIES S70 - V70 - C70 | 11-96→ | 20,6 | ATE | 4675-G | | | | |
| | II SERIES V70 R2.5 T AWD | 03-00→08-07 | 38 | BREMBO | 6049-G | 11663 | P-423005 | 2 | 30 |
| | | | | | | | P-383005 | 2 | 30 |
| | I SERIES S70 - V70 - C70 (SOFT BOOT) | 11-96→ | 57 | ATE | 3391-G | 10579 | P-575301 | 1 | 53 |
| | II SERIES V70 - C70 (HARD BOOT) | 03-00→ | 57 | ATE | 4768-G | 10589 | P-575504 | 1 | 55,4 |
| | II SERIES V70 - C70 T5 | | | | | 10932 | P-575503 | 1 | 55,5 |
| | I SERIES S70 - V70 - C70 | 11-96→ | 57 | ATE | 4983-G | | | | |
| | III SERIES V70 (17-18" WHEEL) | 08-07→ | 60 | ATE | 4565-G | 10963 | P-605502 | 1 | 55,5 |
| | I - II SERIES S70 - V70 | 11-96→ | | | | 10969 | P-605501 | 1 | 55,5 |
| | III SERIES V70 (16" WHEEL) | 08-07→ | | | | | P-605501 | 1 | 55,5 |
| | II SERIES V70 2.5R SPORT | 11-02→ | 28 | BREMBO | 6217-G | 11002 | P-303001 | 2 | 30 |
| | | | | | | | P-283001 | 2 | 30 |
| | I SERIES S70 - V70 - C70 (HARD BOOT) | 11-96→11-05 | 38 | ATE | 4316-G | 10604 | P-383004 | 2 | 30 |
| | II SERIES C70 | 03-06→ | 38 | ATE | 4797-G | 10667 | P-384902 | 1 | 49,7 |
| | | | | | | 11646 | K-384902 | 1 | 49,7 |
| | III SERIES V70 (-ELECTRIC HANDBRAKE) | 08-07→ | 38 | LUCAS | 6043-G | 10736 | P-385301 | 1 | 53,6 |
| | I SERIES S70 - V70 (AWD) | 11-96→11-00 | 40 | LUCAS | 4369-G | 10755 | P-404101 | 1 | 41,7 |
| | I SERIES V70 ESTATE | 11-96→11-00 | 40 | ATE | 4510-G | 11668 | P-404904 | 1 | 49 |
| | II SERIES V70 ESTATE | 03-00→08-07 | 42 | ATE | 4623-G | 11219 | P-424901 | 1 | 49 |
| | II - III SERIES V70 | 03-00→ | 8,4 | LUCAS | 30046-G | | | | |
| | I SERIES S70 - V70 - C70 (ALUMINIUM BODY) | 11-96→ | 22,2 | FAG | 6020-G | | | | |

S90 - V90

| | | | | | | | | | |
|--|-----------------|--------|------|-------|----------------|-------|----------|---|------|
| | ALL TYPES (ABS) | 01-97→ | 57 | LUCAS | 3839-G | 10585 | P-575001 | 1 | 49,8 |
| | ALL TYPES | 01-97→ | 10 | LUCAS | 30079-G | | | | |
| | 2.9 (HARD BOOT) | 01-97→ | 38 | LUCAS | 4440-G | 10687 | P-384101 | 1 | 41,5 |
| | 2.9 | 01-97→ | 8 | LUCAS | 30001-G | | | | |
| | 2.9 | 01-97→ | 20,6 | FAG | 3397-G | | | | |

V60

| | | | | | | | | | |
|--|-----------|--------|-----|-------|----------------|-------|----------|---|------|
| | ALL TYPES | 09-10→ | 60 | ATE | 4565-G | 10969 | P-605501 | 1 | 55,5 |
| | ALL TYPES | 09-10→ | 8,4 | LUCAS | 30046-G | | | | |



Master Cylinder



Front Caliper



Front Wheel Cylinder



Clutch Master Cylinder



Front Caliper Guides



Pressure Regulating Valve



Rear Caliper



Rear Wheel Cylinder



Clutch Slave Cylinder



Rear Caliper Guides



∅
(mm.)

VERSION



VOLVO

5 of 5

XC60

| | | | | | | | | | |
|--|--|--------|-----|-----|----------------|-------|----------|---|------|
| | ALL TYPES | 05-08→ | 44 | ATE | 6151-G | 10998 | P-445501 | 2 | 55,5 |
| | ALL TYPES (ELECTRIC HANDBRAKE - SOLID DISCS) | 05-08→ | 38 | TRW | 6188-G | 11629 | P-385202 | 1 | 52 |
| | ALL TYPES | 05-08→ | 8,4 | TRW | 30046-G | | | | |

XC70

| | | | | | | | | | |
|--|---------------------------------|-------------|-----|---------|----------------|-------|----------|---|------|
| | I SERIES | 10-97→08-07 | 60 | ATE | 4565-G | 10963 | P-605502 | 1 | 55,5 |
| | II SERIES | 08-07→ | | | | 10969 | P-605501 | 1 | 55,5 |
| | II SERIES (-ELECTRIC HANDBRAKE) | 08-07→ | 38 | LUCAS | 6043-G | 10736 | P-385301 | 1 | 53,6 |
| | II SERIES (ELECTRIC HANDBRAKE) | 08-07→ | 38 | TRW | 6188-G | 11629 | P-385202 | 1 | 52 |
| | I SERIES (WITH MULTI LINK AXLE) | 10-97→08-07 | 40 | GIRLING | 4369-G | 10755 | P-404101 | 1 | 41,7 |
| | II SERIES (DISC 12MM) | 08-07→ | 41 | TRW | 6085-G | 11207 | P-415201 | 1 | 52 |
| | I SERIES | 10-97→08-07 | 42 | ATE | 4623-G | 11219 | P-424901 | 1 | 49 |
| | II SERIES | 08-07→ | 8,4 | LUCAS | 30046-G | | | | |
| | I SERIES | 10-97→08-07 | 19 | FAG | 4148-G | | | | |

XC90

| | | | | | | | | | |
|--|-----------|--------|----|-----|----------------|-------|----------|---|------|
| | ALL TYPES | 10-02→ | 60 | ATE | 4565-G | 10969 | P-605501 | 1 | 55,5 |
| | ALL TYPES | 10-02→ | 12 | ATE | 30094-G | | | | |
| | ALL TYPES | 10-02→ | 44 | ATE | 4891-G | 11753 | P-445501 | 1 | 55,5 |



Master Cylinder



Front Caliper



Front Wheel Cylinder



Clutch Master Cylinder



Front Caliper Guides



Pressure Regulating Valve



Rear Caliper



Rear Wheel Cylinder



Clutch Slave Cylinder



Rear Caliper Guides



∅
(mm.)

VERSION



VOLVO TRUCKS

1 of 1

F SERIES

| | | | | | | | | |
|--|--------------------------------|-------------|-------|-------------|---------------|-------|----------|--------|
| | FL408-FL600 SERIES (2 PISTONS) | 03-87→ | 58 | LUCAS | 4504-G | 11448 | P-586301 | 2 63,7 |
| | FL4 - FL6 SERIES | 03-87→ | 68 | LUCAS | 4499-G | 11493 | P-686302 | 2 63,5 |
| | F6 F609 - F610 | 01-75→01-87 | 44,45 | AP LOCKHEED | 4889-G | | | |
| | FL408-FL600 SERIES (2 PISTONS) | 09-85→ | 58 | LUCAS | 4525-G | 11447 | P-586302 | 1 63,7 |
| | | | | | | | P-586301 | 1 63,7 |
| | FL408-FL600 SERIES | 03-87→ | 68 | LUCAS | 4500-G | 11494 | P-686302 | 1 63,5 |
| | | | | | | | P-686301 | 1 63,5 |
| | F-10 - F-12 OLD MODEL | | 28,6 | | 10164 | | | |
| | F-10 - F-12 LAST SERIES | | 28,6 | | 10202 | | | |
| | FL10 - 12 - FH12 | | 28,6 | | 10284 | | | |

P SERIES

| | | | | | | | | |
|--|---------------------|--|------|--|---------------|--|--|--|
| | PV - P1200 - AMAZON | | 25,4 | | 4355-G | | | |
|--|---------------------|--|------|--|---------------|--|--|--|



Master Cylinder



Front Caliper



Front Wheel Cylinder



Clutch Master Cylinder



Front Caliper Guides



Pressure Regulating Valve



Rear Caliper



Rear Wheel Cylinder



Clutch Slave Cylinder



Rear Caliper Guides



∅
(mm.)

VERSION



WILLYS

1 of 1

FURGON - JEEP COMANDO

| | | | | |
|--|------------------------------|------|--------|---------------|
| | JEPP COMANDO (DOBLE CIRCUIT) | 25,4 | TAVISA | 2790-G |
| | ALL TYPES | 28,6 | | 2647-G |
| | ALL TYPES | 25,4 | | 2646-G |
| | ALL TYPES | 25,4 | | 2745-G |
| | SV | 25,4 | | 2747-G |



Master Cylinder



Front Caliper



Front Wheel Cylinder



Clutch Master Cylinder



Front Caliper Guides



Pressure Regulating Valve



Rear Caliper



Rear Wheel Cylinder



Clutch Slave Cylinder



Rear Caliper Guides



∅
(mm.)

VERSION



ZASTAVA - YUGO

1 of 1

101 - CONTACT - NOGARO - YUGO

| | | | | | | | | |
|--|-------------------------|----|----------------|---------------|-------|----------|---|----|
| | ALL TYPES | 19 | FIAT | 3137-G | | | | |
| | ALL TYPES | 48 | BEDNIX - BOSCH | 2675-G | 10834 | P-485003 | 1 | 50 |
| | YUGO - CONTACT - NOGARO | 19 | BEDNIX - BOSCH | 2605-G | | | | |
| | YUGO - CONTACT - NOGARO | 19 | | 3138-G | | | | |
| | 1.5 SLE | 38 | BEDNIX - BOSCH | 3018-G | | | | |



Master Cylinder



Front Caliper



Front Wheel Cylinder



Clutch Master Cylinder



Front Caliper Guides



Pressure Regulating Valve



Rear Caliper



Rear Wheel Cylinder



Clutch Slave Cylinder



Rear Caliper Guides



REPAIR KITS COMPOSITION

| | | | | | | | | |
|----------------|-----------------------|---------------|---------------|---------------|---------------|---------------|-----------------------|-----|
| 2517-G | Ø19 | 2574-G | Ø31,8 | 2602-G | Ø22,2 | | | |
| 824 | 1 BOOT | 255 | 614 | 2 SEAL | 9 | | | |
| 906 | 1 SEAL | 15 | 751 | 2 BOOT | 214 | | | |
| 954 | 1 SEAL | 19 | 795 | 1 BLEEDER CAP | 717 | | | |
| 2529-G | Ø19 | 2584-G | Ø22,2 | 2603-G | Ø22,2 | | | |
| 539 | 2 SEAL | 505 | 608 | 1 SEAL | 9 | | | |
| 826 | 1 BOOT | 257 | 780 | 1 BOOT | 230 | | | |
| GP-24 | 1 SNAP RING | | 795 | 1 BLEEDER CAP | 717 | | | |
| 2530-G | Ø19 | 2587-G | Ø19 | 2604-G | Ø22,2 | | | |
| 19 | 1 VALVE SEAT | 801 | 539 | 2 SEAL | 505 | | | |
| 660 | 1 SEAL | 32 | 747 | 2 BOOT | 203 | | | |
| 795 | 1 BLEEDER CAP | 717 | 795 | 1 BLEEDER CAP | 717 | | | |
| 81008 | 1 SQUARE SECTION SEAL | 52 | 2588-G | Ø22,2 | 2605-G | Ø19 | | |
| 82003 | 1 SPRING WASHER | | 541 | 2 SEAL | 505 | | | |
| 821 | 1 BOOT | 254 | 748 | 2 BOOT | 203 | | | |
| GP-22 | 1 SNAP RING | | 795 | 1 BLEEDER CAP | 717 | | | |
| 2539-GV | Ø22,2 | 2594-G | Ø23,8 | 2606-G | Ø22,2 | | | |
| 1148 | 1 VALVE | 807 | 609 | 2 SEAL | 9 | | | |
| 526 | 1 SEAL | 16 | 704 | 2 BOOT | 212 | | | |
| 554 | 1 SEAL | 5 | 795 | 1 BLEEDER CAP | 717 | | | |
| 806 | 1 PIN BUSHING | 301 | 2595-G | Ø19 | 2607-G | Ø19 | | |
| 82046 | 1 WASHER | | 603 | 2 SEAL | 9 | | | |
| GP-24 | 1 SNAP RING | | 702 | 2 BOOT | 212 | | | |
| 2542-GV | Ø31,8 | 2596-G | Ø25,4 | 2608-G | Ø27 | | | |
| 1134 | 1 VALVE | 813 | 610 | 2 SEAL | 9 | | | |
| 514 | 1 SEAL | 13 | 705 | 2 BOOT | 203 | | | |
| 564 | 1 SEAL | 2 | 795 | 1 BLEEDER CAP | 717 | | | |
| 814 | 1 PIN BUSHING | 301 | 2597-G | Ø31,8 | 2613-G | Ø38,1 | | |
| 82033 | 1 WASHER | | 614 | 2 SEAL | 9 | | | |
| 2543-G | Ø22,2 | 2598-G | Ø28,6 | 2614-G | Ø34,9 | | | |
| 1148 | 1 VALVE | 807 | 612 | 2 SEAL | 9 | | | |
| 554 | 1 SEAL | 5 | 688 | 2 SEAL | 32 | | | |
| 641-A | 1 SEAL | 49 | 731 | 2 BOOT | 234 | | | |
| 803 | 1 BOOT | 209 | 795 | 1 BLEEDER CAP | 717 | | | |
| 82046 | 1 WASHER | | 2599-G | Ø31,8 | 2615-G | Ø19 | | |
| GP-27 | 1 SNAP RING | | 614 | 2 SEAL | 9 | | | |
| 2548-G | Ø19 | 2600-G | Ø31,8 | 682 | 2 SEAL | 21 | | |
| 539 | 2 SEAL | 505 | 714 | 2 BOOT | 211 | | | |
| 801 | 1 BOOT | 251 | 795 | 1 BLEEDER CAP | 717 | | | |
| 81018 | 1 SQUARE SECTION SEAL | 52 | 2616-G | Ø51 | 690 | 2 BOOT | 510 | |
| 2557-G | Ø19 | 614 | 2 SEAL | 9 | 691 | 2 PISTON SEAL | 500 | |
| 539 | 2 SEAL | 505 | 714 | 2 BOOT | 211 | RW-2901 | 2 BOOT PROTECTOR | |
| 706-S | 2 BOOT | 203 | 795 | 1 BLEEDER CAP | 717 | 1908 | 1 SQUARE SECTION SEAL | 501 |
| 795 | 1 BLEEDER CAP | 717 | 2573-G | Ø25,4 | 610 | 2 SEAL | 9 | |
| 2573-G | Ø25,4 | 610 | 2 SEAL | 9 | 750 | 2 BOOT | 203 | |
| 610 | 2 SEAL | 9 | 750 | 2 BOOT | 203 | 795 | 1 BLEEDER CAP | 717 |
| 750 | 2 BOOT | 203 | 795 | 1 BLEEDER CAP | 717 | | | |
| 795 | 1 BLEEDER CAP | 717 | | | | | | |



REPAIR KITS COMPOSITION

| | | | | | | |
|---------------|--------------------------|---------------|---------------|--------------------------|----------------|--------------|
| 2618-G | Ø38 | 2659-G | Ø42 | 2684-G | Ø34 | |
| 782 | 1 CALIPER BOOT | 417 | 694.70 | 2 PISTON SEAL | 500 | |
| 795 | 1 BLEEDER CAP | 717 | 695.70 | 2 BOOT | 510 | |
| 80062 | 1 O-RING | 65 | 798.70 | 2 SQUARE SECTION SEAL502 | 502 | |
| 2627-G | Ø28,6 | 2660-G | Ø30 | 2693-G | Ø23,8 | |
| 712 | 2 BOOT | 211 | 698.70 | 2 PISTON SEAL | 500 | |
| 851 | 2 O-RING | 504 | 699 | 2 BOOT | 510 | |
| 795 | 1 BLEEDER CAP | 717 | 795 | 1 BLEEDER CAP | 717 | |
| 798 | 1 SQUARE SECTION SEAL502 | 502 | 80044.70 | 1 O-RING | 65 | |
| 2633-G | Ø45 | 2661-G | Ø45 | 2703-GV | Ø25,4 | |
| 1298 | 1 PISTON SEAL | 500 | 696.70 | 2 PISTON SEAL | 500 | |
| 795 | 1 BLEEDER CAP | 717 | 697.70 | 2 BOOT | 510 | |
| 862 | 1 CALIPER BOOT | 417 | 798.70 | 2 SQUARE SECTION SEAL502 | 502 | |
| 2634-G | Ø48 | 2664-G | Ø22,2 | 2704-G | Ø19 | |
| 547 | 1 SQUARE SECTION SEAL500 | 500 | 608 | 2 SEAL | 9 | |
| 795 | 1 BLEEDER CAP | 717 | 711 | 2 BOOT | 214 | |
| 866 | 1 BOOT | 417 | 795 | 1 BLEEDER CAP | 717 | |
| 2637-G | Ø22,2 | 2670-G | Ø22,2 | 2705-G | Ø22,2 | |
| 604 | 2 SEAL | 9 | 604 | 2 SEAL | 32 | |
| 703 | 2 BOOT | 200 | 728 | 2 BOOT | 214 | |
| 795 | 1 BLEEDER CAP | 717 | 795 | 1 BLEEDER CAP | 717 | |
| 2640-G | Ø19 | 2671-G | Ø45 | 2706-G | Ø22,2 | |
| 660 | 2 SEAL | 32 | 1298 | 1 PISTON SEAL | 500 | |
| 727 | 2 BOOT | 209 | 795 | 1 BLEEDER CAP | 717 | |
| 795 | 1 BLEEDER CAP | 717 | 863 | 1 CALIPER BOOT | 411 | |
| 2643-G | Ø48 | 2673-G | Ø38 | 2711-G | Ø17,5 | |
| 1289 | 2 SQUARE SECTION SEAL501 | 501 | 544-A | 1 SQUARE SECTION SEAL500 | 500 | |
| 1932 | 2 SQUARE SECTION SEAL501 | 501 | 782 | 1 CALIPER BOOT | 417 | |
| 2295 | 2 BOOT | 418 | 795 | 1 BLEEDER CAP | 717 | |
| 547 | 2 SQUARE SECTION SEAL500 | 500 | 2674-G | Ø20,6 | 2712-G | Ø17,5 |
| RW-2923 | 2 RETAINING RING | | 607 | 2 SEAL | 9 | |
| 795 | 1 BLEEDER CAP | 717 | 703 | 2 BOOT | 200 | |
| 2646-G | Ø25,4 | 2675-G | Ø48 | 795 | 1 BLEEDER CAP | 717 |
| 610 | 2 SEAL | 9 | 1932 | 2 SQUARE SECTION SEAL501 | 501 | |
| 761 | 2 BOOT | 206 | 547 | 1 SQUARE SECTION SEAL500 | 500 | |
| 795 | 1 BLEEDER CAP | 717 | 795 | 1 BLEEDER CAP | 717 | |
| 2647-G | Ø28,6 | 2679-G | Ø48 | 867 | 1 CALIPER BOOT | 412 |
| 612 | 2 SEAL | 9 | 547 | 1 SQUARE SECTION SEAL500 | 500 | |
| 761 | 2 BOOT | 206 | 795 | 1 BLEEDER CAP | 717 | |
| 795 | 1 BLEEDER CAP | 717 | 867-A | 1 CALIPER BOOT | 428 | |
| 2658-G | Ø15,9 | | 2679-G | Ø48 | | |
| 728 | 2 BOOT | 214 | 547 | 1 SQUARE SECTION SEAL500 | 500 | |
| 80018.70 | 2 O-RING | 65 | 795 | 1 BLEEDER CAP | 717 | |
| 795 | 1 BLEEDER CAP | 717 | 867-A | 1 CALIPER BOOT | 428 | |
| 797.70 | 1 SQUARE SECTION SEAL502 | 502 | | | | |



REPAIR KITS COMPOSITION

| | | | | | | | | | |
|----------------|--------------------------|---------------|---------------|--------------------------|---------------|---------------|-------------------|-------------------|-----|
| 2713-G | Ø22,2 | 2740-G | Ø19 | 2766-GV | Ø19 | | | | |
| 608 | 1 SEAL | 9 | 529 | 1 SEAL | 47 | 1147 | 1 VALVE | 807 | |
| 788 | 1 BOOT | 205 | 550-B | 1 SEAL | 54 | 553-A | 1 SEAL | 7 | |
| 795 | 1 BLEEDER CAP | 717 | 640 | 1 SEAL | 49 | 640 | 1 SEAL | 49 | |
| 2714-GV | Ø19 | 2743-G | Ø19 | 2772-G | Ø19 | | | | |
| 1147 | 1 VALVE | 807 | 502-A | 1 SEAL | 14 | 539 | 3 SEAL | 505 | |
| 503 | 1 SEAL | 13 | 556-B | 1 SEAL | 5 | 791-A | 2 CONNECTION SEAL | 707 | |
| 556-A | 1 SEAL | 5 | 795 | 1 BLEEDER CAP | 717 | 536 | 1 SEAL | 508 | |
| 806 | 1 PIN BUSHING | 301 | 805 | 1 BOOT | 212 | 640 | 1 SEAL | 49 | |
| 82031 | 1 WASHER | | GP-24 | 1 SNAP RING | | 801 | 1 BOOT | 251 | |
| GP-24 | 1 SNAP RING | | 2745-G | Ø25,4 | 2776-G | Ø19 | | | |
| 2715-GV | Ø27 | 2747-G | Ø25,4 | 2780-G | Ø25,4 | | | | |
| 1150 | 1 VALVE | 808 | 510 | 1 SEAL | 13 | 689-B | 1 SEAL | 23 | |
| 561 | 1 SEAL | 2 | 560 | 1 SEAL | 1 | 795 | 1 BLEEDER CAP | 717 | |
| 579 | 1 SEAL | 17 | 795 | 1 BLEEDER CAP | 717 | 802 | 1 BOOT | 203 | |
| 814 | 1 PIN BUSHING | 301 | 82061 | 1 WASHER | | 2789-G | Ø31,8 | | |
| 82060 | 1 WASHER | | 830 | 1 BOOT | 257 | 584-A | 2 SEAL | 54 | |
| 2722-GV | Ø20,6 | 2751-G | Ø25,4 | 2790-G | Ø25,4 | | | | |
| 797 | 2 SQUARE SECTION SEAL502 | | 1130 | 1 VALVE | 810 | 20 | 2 VALVE SEAT | 804 | |
| 1147 | 1 VALVE | 807 | 510 | 1 SEAL | 13 | 560-C | 2 SEAL | 8 | |
| 507 | 1 SEAL | 15 | 560 | 1 SEAL | 1 | 524 | 1 SEAL | 13 | |
| 557 | 1 SEAL | 4 | 810 | 1 PIN BUSHING | 301 | 651 | 1 SEAL | 48 | |
| 639-A | 1 SEAL | 49 | 82061 | 1 WASHER | | 814 | 1 PIN BUSHING | 301 | |
| 82038 | 1 WASHER | | 2757-G | Ø17,5 | 2791-G | Ø19 | | | |
| GP-24 | 1 SNAP RING | | 641.70 | 2 SEAL | 49 | 19 | 1 VALVE SEAT | 801 | |
| 2731-G | Ø15,9 | 2758-G | Ø20,6 | 2797-G | Ø19 | | | | |
| 19 | 1 VALVE SEAT | 801 | 798.70 | 2 SQUARE SECTION SEAL502 | | 640 | 3 SEAL | 49 | |
| 658 | 1 SEAL | 32 | PS-1 | 1 BOLT | | 550-B | 2 SEAL | 54 | |
| 8069 | 1 SQUARE SECTION SEAL500 | | 2762-G | Ø19 | 2797-G | Ø19 | 791-A | 2 CONNECTION SEAL | 707 |
| 82003 | 1 SPRING WASHER | | 640 | 2 SEAL | 49 | 82025 | 2 WASHER | | |
| 821 | 1 BOOT | 254 | 663 | 2 SEAL | 32 | PS-1 | 2 BOLT | | |
| GP-22 | 1 SNAP RING | | 795 | 1 BLEEDER CAP | 717 | GP-26 | 1 SNAP RING | | |
| GRASA-1 | 1 GREASE BAG | | 822 | 1 BOOT | 247 | | | | |
| 2733-G | Ø25,4 | 2738-G | Ø25,4 | | | | | | |
| 530 | 1 SEAL | 47 | 664 | 1 SEAL | 32 | | | | |
| 678 | 1 SEAL | 19 | 795 | 1 BLEEDER CAP | 717 | | | | |
| 809 | 1 PIN BUSHING | 301 | 796 | 1 SQUARE SECTION SEAL502 | | | | | |
| 2738-G | Ø25,4 | | 805-A | 1 BOOT | 236 | | | | |



REPAIR KITS COMPOSITION

| | | | | | | | | | |
|---------------|-----------------------|---------------|-----------------------|-----------------------|---------------|-------------------|-----------------------|--------|----|
| 3001-G | Ø25,4 | 3014-G | Ø22,2 | 3027-G | Ø31,8 | | | | |
| 664 | 2 SEAL | 32 | 637 | 3 SEAL | 42 | | | | |
| 731 | 2 BOOT | 234 | 643 | 2 SEAL | 27 | | | | |
| 795 | 1 BLEEDER CAP | 717 | 82046 | 2 WASHER | | | | | |
| 3002-G | Ø28,6 | 1523 | 1 CONNECTION SEAL | 708 | 3028-G | Ø22,2 | | | |
| 688 | 2 SEAL | 32 | 81017 | 1 SQUARE SECTION SEAL | 52 | 508 | 1 SEAL | 13 | |
| 731 | 2 BOOT | 234 | GP-26 | 1 SNAP RING | | 554 | 1 SEAL | 5 | |
| 795 | 1 BLEEDER CAP | 717 | 3015-G | Ø25,4 | 641-A | 1 SEAL | 49 | | |
| 3003-G | Ø25,4 | 636 | 3 SEAL | 42 | 805-A | 1 BOOT | 236 | | |
| 610 | 2 SEAL | 9 | 648 | 2 SEAL | 27 | 82046 | 1 WASHER | | |
| 780 | 2 BOOT | 230 | 82061 | 2 WASHER | | 3030-G | Ø19 | | |
| 795 | 1 BLEEDER CAP | 717 | 1523 | 1 CONNECTION SEAL | 708 | 640-A | 1 SEAL | 42 | |
| 3004-G | Ø19 | 744 | 1 BOOT | 255 | 656 | 1 SEAL | 27 | | |
| 556 | 1 SEAL | 1 | 81017 | 1 SQUARE SECTION SEAL | 52 | 796 | 1 SQUARE SECTION SEAL | 502 | |
| 663 | 1 SEAL | 32 | GP-30 | 1 SNAP RING | | 799-A | 1 SQUARE SECTION SEAL | 501 | |
| 801 | 1 BOOT | 251 | 3018-G | Ø38 | 82031 | 1 WASHER | | | |
| 82031 | 1 WASHER | | 534 | 1 O-RING | 504 | GP-24 | 1 SNAP RING | | |
| GP-22 | 1 SNAP RING | | 546-A | 1 SQUARE SECTION SEAL | 500 | 3031-G | Ø20,6 | | |
| 3008-G | Ø27 | 795 | 1 BLEEDER CAP | 717 | 746 | 2 BOOT | 207 | | |
| 1150 | 1 VALVE | 808 | 861-A | 1 CALIPER BOOT | 417 | RW-3083 | 2 RETAINING RING | | |
| 533 | 1 SEAL | 47 | 3019-G | Ø19 | 657 | 4 SEAL | 32 | | |
| 561 | 1 SEAL | 2 | 1507 | 2 CONNECTION SEAL | 707 | 795 | 1 BLEEDER CAP | 717 | |
| 82060 | 1 WASHER | | 791-A | 2 CONNECTION SEAL | 707 | C-715 | 1 O-RING | 504 | |
| 842 | 1 PIN BUSHING | 306 | 82025 | 2 WASHER | | 3034-G | Ø25,4 | | |
| GP-31 | 1 SNAP RING | | PS-1 | 2 BOLT | | 636 | 3 SEAL | 42 | |
| 3009-G | Ø38,1 | 640 | 1 SEAL | 49 | 1522 | 2 CONNECTION SEAL | 709 | | |
| 528 | 2 SEAL | 48 | GP-26 | 1 SNAP RING | | 648 | 2 SEAL | 27 | |
| 598 | 2 SEAL | 54 | 3021-G | Ø38 | 791 | 2 CONNECTION SEAL | 702 | | |
| 888 | 1 BOOT | 254 | 534 | 1 O-RING | 504 | 82061 | 2 WASHER | | |
| 3010-G | Ø17,5 | 546-A | 1 SQUARE SECTION SEAL | 500 | GP-28 | 1 SNAP RING | | | |
| 640-B | 2 SEAL | 42 | 795 | 1 BLEEDER CAP | 717 | 3035-G | Ø19 | | |
| 655 | 2 SEAL | 27 | 864 | 1 CALIPER BOOT | 411 | 550-C | 1 SEAL | 10 | |
| 791 | 2 CONNECTION SEAL | 702 | 3023-G | Ø25,4 | 640 | 1 SEAL | 49 | | |
| 82023 | 1 WASHER | | 689-D | 1 SEAL | 61 | 82031 | 1 WASHER | | |
| 823 | 1 BOOT | 254 | 734 | 1 BOOT | 236 | GP-26 | 1 SNAP RING | | |
| GP-22 | 1 SNAP RING | | 795 | 1 BLEEDER CAP | 717 | 3036-G | Ø28,6 | | |
| 3011-G | Ø19 | 3024-G | Ø28,6 | 689-C | 1 SEAL | 61 | 689-C | 1 SEAL | 61 |
| 640-A | 2 SEAL | 42 | 689-C | 1 SEAL | 61 | 734-A | 1 BOOT | 236 | |
| 656 | 2 SEAL | 27 | 795 | 1 BLEEDER CAP | 717 | 795 | 1 BLEEDER CAP | 717 | |
| 791 | 2 CONNECTION SEAL | 702 | 828 | 1 BOOT | 257 | 796 | 1 SQUARE SECTION SEAL | 502 | |
| 82031 | 2 WASHER | | 3025-G | Ø38,1 | 19-A | 1 VALVE SEAT | 801 | | |
| 81008 | 1 SQUARE SECTION SEAL | 52 | 19-A | 1 VALVE SEAT | 801 | 795 | 1 BLEEDER CAP | 717 | |
| GP-22 | 1 SNAP RING | | 592 | 1 SEAL | 37 | 863 | 1 CALIPER BOOT | 411 | |
| 3013-G | Ø15,9 | 594 | 1 SEAL | 509 | 867 | 1 CALIPER BOOT | 412 | | |
| 600 | 2 SEAL | 9 | 3027-G | Ø31,8 | | | | | |
| 728 | 2 BOOT | 214 | 668-A | 1 SEAL | 32 | | | | |
| 795 | 1 BLEEDER CAP | 717 | 735 | 1 BOOT | 236 | | | | |
| | | | 795 | 1 BLEEDER CAP | 717 | | | | |



REPAIR KITS COMPOSITION



| | | | | | |
|---------------|--------------------------|---------------|---------------|--------------------------|--------------|
| 3039-G | Ø20,6 | 3049-G | Ø15,9 | 3062-G | Ø20,6 |
| 559 | 2 SEAL | 27 | 536-A | 2 SEAL | 505 |
| 639-A | 2 SEAL | 49 | 748 | 2 BOOT | 203 |
| 791-A | 2 CONNECTION SEAL | 707 | 795 | 1 BLEEDER CAP | 717 |
| 82038 | 2 WASHER | | | | |
| PS-1 | 2 BOLT | | | | |
| GP-28 | 1 SNAP RING | | | | |
| 3040-G | Ø20,6 | 3050-G | Ø22,2 | 3063-G | Ø22,2 |
| 559 | 2 SEAL | 27 | 662 | 2 SEAL | 32 |
| 642 | 2 SEAL | 32 | 746 | 2 BOOT | 207 |
| 791-A | 2 CONNECTION SEAL | 707 | RW-3083 | 2 RETAINING RING | |
| 82038 | 2 WASHER | | 795 | 1 BLEEDER CAP | 717 |
| PS-1 | 2 BOLT | | | | |
| 639-A | 1 SEAL | 49 | 3051-G | Ø20,6 | |
| GP-28 | 1 SNAP RING | | 1816 | 2 CONNECTION SEAL | 704 |
| 3041-G | Ø54 | | 633 | 2 SEAL | 42 |
| 1289 | 2 SQUARE SECTION SEAL501 | | 642 | 2 SEAL | 32 |
| 1932 | 2 SQUARE SECTION SEAL501 | | 791-A | 2 CONNECTION SEAL | 707 |
| 549 | 2 SQUARE SECTION SEAL500 | | 82038 | 2 WASHER | |
| 795 | 2 BLEEDER CAP | 717 | PS-1 | 2 BOLT | |
| 874 | 2 CALIPER BOOT | 422 | GP-25 | 1 SNAP RING | |
| RW-2925 | 2 RETAINING RING | | 3052-G | Ø20,6 | |
| 3042-G | Ø19 | | 559 | 2 SEAL | 27 |
| 640 | 2 SEAL | 49 | 791-A | 2 CONNECTION SEAL | 707 |
| 656 | 2 SEAL | 27 | 82038 | 2 WASHER | |
| 791-C | 2 CONNECTION SEAL | 706 | PS-1 | 2 BOLT | |
| 82031 | 2 WASHER | | 639-A | 1 SEAL | 49 |
| PS-1 | 2 BOLT | | 639-B | 1 SEAL | 51 |
| 3044-G | Ø17,5 | | GP-26 | 1 SNAP RING | |
| 602 | 2 SEAL | 9 | 3053-G | Ø54 | |
| 728 | 2 BOOT | 214 | 549 | 1 SQUARE SECTION SEAL500 | |
| 795 | 1 BLEEDER CAP | 717 | 795 | 1 BLEEDER CAP | 717 |
| 3045-G | Ø17,5 | | 869 | 1 CALIPER BOOT | 413 |
| 537 | 2 SEAL | 505 | 3055-G | Ø25,4 | |
| 747-A | 2 BOOT | 210 | 636 | 2 SEAL | 42 |
| 795 | 1 BLEEDER CAP | 717 | 705 | 2 BOOT | 203 |
| 3046-G | Ø17,5 | | 795 | 1 BLEEDER CAP | 717 |
| 641.70 | 2 SEAL | 49 | 3058-G | Ø52 | |
| 655-A | 2 SEAL | 27 | 2072 | 4 SEAL | 505 |
| 791-A.70 | 2 CONNECTION SEAL | 707 | 548-A | 2 SQUARE SECTION SEAL500 | |
| 798.70 | 2 SQUARE SECTION SEAL502 | | 795 | 2 BLEEDER CAP | 717 |
| PS-1 | 2 BOLT | | 869 | 2 CALIPER BOOT | 413 |
| 3047-G | Ø17,5 | | 3061-G | Ø25,4 | |
| 728 | 2 BOOT | 214 | 646-B | 3 SEAL | 49 |
| 850-C.70 | 2 O-RING | 504 | 649 | 2 SEAL | 27 |
| 795 | 1 BLEEDER CAP | 717 | 791-A | 2 CONNECTION SEAL | 707 |
| 798.70 | 1 SQUARE SECTION SEAL502 | | 82061 | 2 WASHER | |
| | | | 80003 | 1 O-RING | 65 |
| | | | 3072-G | Ø17,5 | |
| | | | 640-B | 2 SEAL | 42 |
| | | | 745 | 2 BOOT | 207 |
| | | | RW-3083 | 2 RETAINING RING | |
| | | | 795 | 1 BLEEDER CAP | 717 |
| | | | 3073-G | Ø54 | |
| | | | 1569 | 2 BOOT | 619 |
| | | | 1895 | 2 PLASTIC CAP | 723 |
| | | | 549-B | 1 SQUARE SECTION SEAL500 | |
| | | | 795 | 1 BLEEDER CAP | 717 |
| | | | 891 | 1 CALIPER BOOT | 401 |
| | | | 3074-G | Ø22,2 | |
| | | | 641-A | 2 SEAL | 49 |
| | | | 703 | 2 BOOT | 200 |
| | | | 795 | 1 BLEEDER CAP | 717 |



REPAIR KITS COMPOSITION

| | | | | | |
|---------------|--------------------------|---------------|-------------------|--------------------------|---------------|
| 3075-G | Ø48 | 3083-G | Ø25,4 | 3094-G | Ø38,1 |
| 892 | 4 PIN BUSHING | 622 | 646-B | 3 SEAL | 49 |
| 80112.70 | 2 O-RING | 65 | 649 | 2 SEAL | 27 |
| 547 | 1 SQUARE SECTION SEAL500 | 791-A | 2 CONNECTION SEAL | 707 | 795 |
| 795 | 1 BLEEDER CAP | 717 | 81004 | 2 SQUARE SECTION SEAL | 52 |
| 878 | 1 CALIPER BOOT | 404 | 82061 | 2 WASHER | |
| 3076-G | Ø48 | C-789 | 2 VALVE SEAT | 807 | 3095-G |
| 1542 | 4 CALIPER BOOT | 614 | 80004 | 1 O-RING | 65 |
| 892 | 4 PIN BUSHING | 622 | GP-28 | 1 SNAP RING | |
| 80112.70 | 2 O-RING | 65 | 3084-G | Ø28,6 | |
| 1841 | 1 BLEEDER CAP | 718 | 1203 | 2 SEAL | 42 |
| 547 | 1 SQUARE SECTION SEAL500 | 731 | 2 BOOT | 234 | 795 |
| 877 | 1 CALIPER BOOT | 409 | 795 | 1 BLEEDER CAP | 717 |
| 878 | 1 CALIPER BOOT | 404 | 3086-G | Ø22,2 | |
| 3077-G | Ø48 | 554 | 1 SEAL | 5 | 3096-G |
| 834 | 2 PIN BUSHING | 605 | 641-A | 1 SEAL | 49 |
| 547 | 1 SQUARE SECTION SEAL500 | 791-A | 1 CONNECTION SEAL | 707 | 795 |
| 795 | 1 BLEEDER CAP | 717 | 795 | 1 BLEEDER CAP | 717 |
| 889 | 1 CALIPER BOOT | 408 | 82046 | 1 WASHER | |
| RW-2923 | 1 RETAINING RING | | 821 | 1 BOOT | 254 |
| 3078-G | Ø19 | GP-24 | 1 SNAP RING | | 3097-G |
| 656 | 2 SEAL | 27 | 3087-G | Ø22,2 | Ø48 |
| 791-A | 2 CONNECTION SEAL | 707 | 641-B | 1 SEAL | 51 |
| PS-1 | 2 BOLT | | 643 | 1 SEAL | 27 |
| 640 | 1 SEAL | 49 | 791-A | 1 CONNECTION SEAL | 707 |
| 641-D | 1 SEAL | 51 | 795 | 1 BLEEDER CAP | 717 |
| 3079-G | Ø48 | 82046 | 1 WASHER | | 3098-G |
| 548 | 1 SQUARE SECTION SEAL500 | 844 | 1 PIN BUSHING | 301 | Ø17,5 |
| 795 | 1 BLEEDER CAP | 717 | GP-24 | 1 SNAP RING | |
| 890 | 1 CALIPER BOOT | 406 | 3088-G | Ø28,6 | |
| RW-2932 | 1 RETAINING RING | | 1222 | 1 SEAL | 49 |
| 3080-G | Ø22,2 | 795 | 1 BLEEDER CAP | 717 | 3099-G |
| 637 | 2 SEAL | 42 | 844 | 1 PIN BUSHING | 301 |
| 662 | 2 SEAL | 32 | 3089-G | Ø19 | |
| 746 | 2 BOOT | 207 | 640 | 2 SEAL | 49 |
| RW-3083 | 2 RETAINING RING | | 657 | 2 SEAL | 32 |
| 795 | 1 BLEEDER CAP | 717 | 791-A | 2 CONNECTION SEAL | 707 |
| 3082-G | Ø25,4 | 82025 | 2 WASHER | | 3100-G |
| 1522 | 2 CONNECTION SEAL | 709 | 80004 | 1 O-RING | 65 |
| 636 | 2 SEAL | 42 | 81008 | 1 SQUARE SECTION SEAL | 52 |
| 648 | 2 SEAL | 27 | 833 | 1 BOOT | 257 |
| 82061 | 2 WASHER | | GP-26 | 1 SNAP RING | |
| C-789 | 2 VALVE SEAT | 807 | 3090-G | Ø28,6 | |
| | | | 1202 | 2 SEAL | 27 |
| | | | 1222 | 2 SEAL | 49 |
| | | | 791-A | 2 CONNECTION SEAL | 707 |
| | | | 82062 | 2 WASHER | |
| | | | 1206 | 1 SEAL | 32 |
| | | | 795 | 1 BLEEDER CAP | 717 |
| | | | 80112.70 | 1 O-RING | 65 |
| | | | 873 | 1 BOOT | 248 |
| | | | 1207 | 2 SEAL | 24 |
| | | | 80112.70 | 2 O-RING | 65 |
| | | | 795 | 1 BLEEDER CAP | 717 |
| | | | 865 | 1 BOOT | 215 |
| | | | 873 | 1 BOOT | 248 |
| | | | 80112.70 | 2 O-RING | 65 |
| | | | 1207 | 1 SEAL | 24 |
| | | | 795 | 1 BLEEDER CAP | 717 |
| | | | 873 | 1 BOOT | 248 |
| | | | 3096-G | Ø44,4 | |
| | | | 80112.70 | 2 O-RING | 65 |
| | | | 1207 | 1 SEAL | 24 |
| | | | 795 | 1 BLEEDER CAP | 717 |
| | | | 873 | 1 BOOT | 248 |
| | | | 3097-G | Ø48 | |
| | | | 548 | 1 SQUARE SECTION SEAL500 | |
| | | | 795 | 1 BLEEDER CAP | 717 |
| | | | 871 | 1 CALIPER BOOT | 435 |
| | | | 3098-G | Ø17,5 | |
| | | | 1221 | 2 SEAL | 49 |
| | | | 1248 | 2 SEAL | 27 |
| | | | 791-A | 2 CONNECTION SEAL | 707 |
| | | | PS-1 | 2 BOLT | |
| | | | 3099-G | Ø45 | |
| | | | 1263 | 2 BOOT | 510 |
| | | | 1289 | 2 SQUARE SECTION SEAL501 | |
| | | | 696 | 2 PISTON SEAL | 500 |
| | | | 795 | 1 BLEEDER CAP | 717 |
| | | | 3100-G | Ø45 | |
| | | | 1263 | 2 BOOT | 510 |
| | | | 1289 | 2 SQUARE SECTION SEAL501 | |
| | | | 696 | 2 PISTON SEAL | 500 |
| | | | 870 | 2 HARD CALIPER BOOT | 431 |
| | | | 795 | 1 BLEEDER CAP | 717 |
| | | | 3101-G | Ø20,6 | |
| | | | 607 | 2 SEAL | 9 |
| | | | 728 | 2 BOOT | 214 |
| | | | 795 | 1 BLEEDER CAP | 717 |



REPAIR KITS COMPOSITION



| 3103-G Ø50 | | | 3112-G Ø20,6 | | | 3123-G Ø27 | | |
|---------------------|-----------------------|-----|---------------------|-----------------------|-----|---------------------|-----------------------|-----|
| 892 | 4 PIN BUSHING | 622 | 1224 | 2 SEAL | 52 | 1227 | 2 SEAL | 42 |
| 1261 | 1 PISTON SEAL | 500 | 1526 | 2 CONNECTION SEAL | 711 | 1228 | 2 SEAL | 27 |
| 1839 | 1 SEAL | 520 | 1223 | 1 SEAL | 45 | 1523 | 2 CONNECTION SEAL | 708 |
| 1841 | 1 BLEEDER CAP | 718 | 639-A | 1 SEAL | 49 | 82060 | 2 WASHER | |
| 80044.70 | 1 O-RING | 65 | GP-24 | 1 SNAP RING | | 81008 | 1 SQUARE SECTION SEAL | 52 |
| 8027 | 1 HANDBRAKE BOOT | 638 | PT-13 | 1 PISTON WITH SPRING | | 81017 | 1 SQUARE SECTION SEAL | 52 |
| 876 | 1 CALIPER BOOT | 408 | | | | | | |
| BRIDA-1 | 1 BINDING HOOP | | | | | | | |
| 3104-G Ø22,2 | | | 3114-G Ø17,5 | | | 3124-G Ø15,9 | | |
| 1816 | 2 CONNECTION SEAL | 704 | 602 | 2 SEAL | 9 | 601 | 2 SEAL | 9 |
| 641-A | 2 SEAL | 49 | 702 | 2 BOOT | 212 | 731-A | 2 BOOT | 237 |
| 643 | 2 SEAL | 27 | 795 | 1 BLEEDER CAP | 717 | 795 | 1 BLEEDER CAP | 717 |
| 791-A | 2 CONNECTION SEAL | 707 | 797 | 1 SQUARE SECTION SEAL | 502 | | | |
| 80003 | 2 O-RING | 65 | 3115-G Ø52 | | | 3125-G Ø48 | | |
| 82046 | 2 WASHER | | 548-A | 1 SQUARE SECTION SEAL | 500 | 1586 | 2 PIN BUSHING | 606 |
| GP-24 | 1 SNAP RING | | 795 | 1 BLEEDER CAP | 717 | 2073 | 2 RUBBER CAP | 722 |
| | | | 871 | 1 CALIPER BOOT | 435 | 547 | 1 SQUARE SECTION SEAL | 500 |
| 3105-G Ø22,2 | | | 3117-G Ø22,2 | | | 3126-G Ø22,2 | | |
| 1816 | 2 CONNECTION SEAL | 704 | 1225 | 2 SEAL | 56 | 604 | 2 SEAL | 9 |
| 637 | 2 SEAL | 42 | 1226 | 2 SEAL | 32 | 641-A | 2 SEAL | 49 |
| 643 | 2 SEAL | 27 | 1235 | 2 SEAL | 27 | 713 | 2 BOOT | 211 |
| 82046 | 2 WASHER | | 1521 | 2 CONNECTION SEAL | 705 | 795 | 1 BLEEDER CAP | 717 |
| | | | 791-A | 2 CONNECTION SEAL | 707 | 3127-G Ø20,6 | | |
| 3107-G Ø48 | | | 82044 | 2 WASHER | | 1816 | 2 CONNECTION SEAL | 704 |
| 892 | 4 PIN BUSHING | 622 | 694 | 1 PISTON SEAL | 500 | 559 | 2 SEAL | 27 |
| 80112.70 | 2 O-RING | 65 | 82092 | 1 PLASTIC WASHER | | 791-A | 2 CONNECTION SEAL | 707 |
| 547 | 1 SQUARE SECTION SEAL | 500 | GP-25 | 1 SNAP RING | | 82038 | 2 WASHER | |
| 795 | 1 BLEEDER CAP | 717 | 3118-G Ø22,2 | | | 1229 | 1 SEAL | 57 |
| 877 | 1 CALIPER BOOT | 409 | 637 | 2 SEAL | 42 | 1230 | 1 SEAL | 42 |
| 3108-G Ø19 | | | 727 | 2 BOOT | 209 | 694 | 1 PISTON SEAL | 500 |
| 640-A | 2 SEAL | 42 | 795 | 1 BLEEDER CAP | 717 | GP-35 | 1 SNAP RING | |
| 656 | 2 SEAL | 27 | 3119-G Ø20,6 | | | 3128-G Ø19 | | |
| 791 | 2 CONNECTION SEAL | 702 | 633 | 2 SEAL | 42 | 640-A | 2 SEAL | 42 |
| 82031 | 2 WASHER | | 727 | 2 BOOT | 209 | 746 | 2 BOOT | 207 |
| 711 | 1 BOOT | 214 | 795 | 1 BLEEDER CAP | 717 | RW-3083 | 2 RETAINING RING | |
| 3109-G Ø17,5 | | | 3120-G Ø20,6 | | | 795 | 1 BLEEDER CAP | 717 |
| 640-B | 2 SEAL | 42 | 1148 | 1 VALVE | 807 | 8205 | 1 O-RING | 504 |
| 727 | 2 BOOT | 209 | 557 | 1 SEAL | 4 | 3129-G Ø48 | | |
| 795 | 1 BLEEDER CAP | 717 | 639-A | 1 SEAL | 49 | 2072 | 4 SEAL | 505 |
| 3110-G Ø22,2 | | | 82038 | 1 WASHER | | 548 | 2 SQUARE SECTION SEAL | 500 |
| 661 | 1 SEAL | 32 | PS-1 | 1 BOLT | | 795 | 2 BLEEDER CAP | 717 |
| 714 | 1 BOOT | 211 | 3121-GV Ø19 | | | 878 | 2 CALIPER BOOT | 404 |
| 792 | 1 CONNECTION SEAL | 523 | 640-A | 1 SEAL | 42 | 3130-G Ø48 | | |
| 795 | 1 BLEEDER CAP | 717 | 657 | 1 SEAL | 32 | 1569 | 2 BOOT | 619 |
| | | | 82025 | 1 WASHER | | 1895 | 2 PLASTIC CAP | 723 |
| | | | C-789 | 1 VALVE SEAT | 807 | 1838 | 1 CALIPER BOOT | 401 |
| | | | GP-24 | 1 SNAP RING | | 547 | 1 SQUARE SECTION SEAL | 500 |
| | | | | | | 795 | 1 BLEEDER CAP | 717 |



REPAIR KITS COMPOSITION

| | | | | | |
|---------------|-----------------------|---------------|---------------|-------------------|-------------------|
| 3190-G | Ø42 | 3198-G | Ø23,8 | 3212-G | Ø19 |
| 1267 | 2 PISTON SEAL | 500 | 1404 | 2 SEAL | 505 |
| 1514 | 2 SEAL | 510 | 1504 | 2 BOOT | 208 |
| 1908 | 2 SQUARE SECTION SEAL | 501 | RW-3083 | 2 RETAINING RING | |
| RW-2949 | 2 BOOT PROTECTOR | | 795 | 1 BLEEDER CAP | 717 |
| 795 | 1 BLEEDER CAP | 717 | | | |
| 3191-G | Ø17,5 | 3199-G | Ø19 | 3202-G | Ø25,4 |
| 1240 | 4 SEAL | 32 | 539 | 1 SEAL | 505 |
| 1507 | 2 CONNECTION SEAL | 707 | 640 | 1 SEAL | 49 |
| 82011 | 2 WASHER | | 795 | 1 BLEEDER CAP | 717 |
| 1239 | 1 SEAL | 49 | 826 | 1 BOOT | 257 |
| 806 | 1 PIN BUSHING | 301 | | | |
| GP-27 | 1 SNAP RING | | | | |
| 3192-G | Ø42 | 3204-G | Ø19 | 3213-G | Ø15,9 |
| 1267 | 4 PISTON SEAL | 500 | 540 | 1 SEAL | 505 |
| 1515 | 4 BOOT | 425 | 646-B | 1 SEAL | 49 |
| 1289 | 2 SQUARE SECTION SEAL | 501 | 795 | 1 BLEEDER CAP | 717 |
| 80016 | 2 O-RING | 65 | | | |
| 795 | 1 BLEEDER CAP | 717 | | | |
| 3193-G | Ø20,6 | 3207-G | Ø19 | 791-A | 2 CONNECTION SEAL |
| 1254 | 3 SEAL | 82 | 1402 | 2 SEAL | 20 |
| 1507 | 2 CONNECTION SEAL | 707 | 1516 | 1 PIN BUSHING | 321 |
| 1251 | 1 SEAL | 60 | 1521 | 1 CONNECTION SEAL | 705 |
| 1252 | 1 SEAL | 508 | 795 | 1 BLEEDER CAP | 717 |
| 80109 | 1 O-RING | 65 | 806 | 1 PIN BUSHING | 301 |
| GP-30 | 1 SNAP RING | | GP-28 | 1 SNAP RING | |
| 3194-G | Ø22,2 | 3208-G | Ø20,6 | 3214-G | Ø19 |
| 1231 | 2 SEAL | 32 | 1234 | 1 SEAL | 32 |
| 791-E | 2 CONNECTION SEAL | 710 | 795 | 1 BLEEDER CAP | 717 |
| 80000 | 2 O-RING | 65 | 806 | 1 PIN BUSHING | 301 |
| 80002 | 2 O-RING | 65 | | | |
| 1232 | 1 SEAL | 22 | 3209-G | Ø23,8 | |
| 641-A | 1 SEAL | 49 | 1245 | 2 SEAL | 32 |
| 3195-G | Ø15,9 | 3210-G | Ø19 | 1255 | 2 SEAL |
| 1405 | 2 SEAL | 24 | 1250 | 1 SEAL | 82 |
| 895 | 2 BOOT | 217 | 1507 | 1 CONNECTION SEAL | 707 |
| 795 | 1 BLEEDER CAP | 717 | 640 | 1 SEAL | 49 |
| 3196-G | Ø17,5 | 3211-G | Ø19 | 811 | 1 PIN BUSHING |
| 1406 | 2 SEAL | 24 | 640 | 1 SEAL | 49 |
| 895 | 2 BOOT | 217 | GP-21 | 1 SNAP RING | |
| 795 | 1 BLEEDER CAP | 717 | | | |
| 3197-G | Ø27 | 3212-G | Ø19 | 3215-G | Ø25,4 |
| 1218 | 2 SEAL | 505 | 1520 | 2 BOOT | 259 |
| 1504 | 2 BOOT | 208 | 640 | 2 SEAL | 49 |
| 795 | 1 BLEEDER CAP | 717 | 795 | 1 BLEEDER CAP | 717 |
| | | | 3216-G | Ø19 | |
| | | | 550-C | 1 SEAL | 10 |
| | | | 640 | 1 SEAL | 49 |
| | | | 806 | 1 PIN BUSHING | 301 |
| | | | 82031 | 1 WASHER | |
| | | | GP-22 | 1 SNAP RING | |
| | | | 3217-G | Ø19 | |
| | | | 539 | 1 SEAL | 505 |
| | | | 640 | 1 SEAL | 49 |
| | | | 807 | 1 PIN BUSHING | 301 |
| | | | C-322 | 1 O-RING | 504 |
| | | | GP-25 | 1 SNAP RING | |
| | | | 3218-G | Ø19 | |
| | | | 1520 | 2 BOOT | 259 |
| | | | 640 | 2 SEAL | 49 |
| | | | 795 | 1 BLEEDER CAP | 717 |
| | | | 3219-G | Ø22,2 | |
| | | | 1520 | 2 BOOT | 259 |
| | | | 641-A | 2 SEAL | 49 |
| | | | 795 | 1 BLEEDER CAP | 717 |



REPAIR KITS COMPOSITION



| | | | | | | | | | |
|---------------|--------------------------|---------------|---------------|--------------------------|---------------|----------------|--------------------------|---------------|-----|
| 3220-G | Ø54 | 3233-G | Ø22,2 | 3242-GV | Ø19 | | | | |
| 834 | 2 PIN BUSHING | 605 | 1409 | 1 SEAL | 24 | 1147 | 1 VALVE | 807 | |
| 1518 | 1 CALIPER BOOT | 400 | 1878 | 1 BOOT | 204 | 640 | 1 SEAL | 49 | |
| 549 | 1 SQUARE SECTION SEAL500 | 788 | 795 | 1 BOOT | 205 | 656 | 1 SEAL | 27 | |
| 795 | 1 BLEEDER CAP | 717 | 795 | 1 BLEEDER CAP | 717 | 82031 | 1 WASHER | | |
| 3221-G | Ø48 | 3234-G | Ø20,6 | 3243-G | Ø20,6 | | | | |
| 892 | 4 PIN BUSHING | 622 | 1258 | 2 SEAL | 46 | 1303 | 2 SEAL | 39 | |
| 80112.70 | 2 O-RING | 65 | 1259 | 2 SEAL | 27 | 791-A | 2 CONNECTION SEAL | 707 | |
| 1841 | 1 BLEEDER CAP | 718 | 791-A | 2 CONNECTION SEAL | 707 | 82038 | 2 WASHER | | |
| 548 | 1 SQUARE SECTION SEAL500 | 82021 | 1260 | 2 WASHER | | 1302 | 1 SEAL | 58 | |
| 875 | 1 CALIPER BOOT | 408 | 1268 | 1 SEAL | 20 | 639-A | 1 SEAL | 49 | |
| 3223-G | Ø17,5 | 3235-G | Ø19 | 3245-G | Ø19 | | | | |
| 1221 | 2 SEAL | 49 | 1410 | 2 SEAL | 24 | 1504 | 2 BOOT | 208 | |
| 706 | 2 BOOT | 211 | 1525 | 2 BOOT | 209 | 1752 | 2 SEAL | 42 | |
| 795 | 1 BLEEDER CAP | 717 | 795 | 1 BLEEDER CAP | 717 | 795 | 1 BLEEDER CAP | 717 | |
| 3224-G | Ø25,4 | 3236-G | Ø22,2 | 3246-G | Ø45 | | | | |
| 1212 | 2 SEAL | 42 | 1231 | 2 SEAL | 32 | 1299 | 1 PISTON SEAL | 500 | |
| 795 | 1 BLEEDER CAP | 717 | 791-E | 2 CONNECTION SEAL | 710 | 1528 | 1 CALIPER BOOT | 401 | |
| 806 | 1 PIN BUSHING | 301 | 80000 | 2 O-RING | 65 | 1882 | 1 PIN BUSHING | 624 | |
| 3225-G | Ø25,4 | 3237-G | Ø54 | 3247-G | Ø38 | | | | |
| 646 | 2 SEAL | 49 | 549 | 1 SQUARE SECTION SEAL500 | | 834 | 2 PIN BUSHING | 605 | |
| 2316 | 1 PIN BUSHING | 301 | 795 | 1 BLEEDER CAP | 717 | 1718 | 1 SEAL | 32 | |
| 795 | 1 BLEEDER CAP | 717 | 889 | 1 CALIPER BOOT | 408 | 1801 | 1 CALIPER BOOT | 400 | |
| 3226-G | Ø54 | 3238-G | Ø25,4 | 3248-G | Ø15,9 | | | | |
| 834 | 2 PIN BUSHING | 605 | 1411 | 1 SEAL | 32 | 2051 | 1 RETAINER SEAL SEAL | 720 | |
| 1512 | 1 CALIPER BOOT | 400 | 788 | 1 BOOT | 205 | 2342 | 1 RETAINER SEAL | 726 | |
| 549 | 1 SQUARE SECTION SEAL500 | 717 | 795 | 1 BLEEDER CAP | 717 | 546-A | 1 SQUARE SECTION SEAL500 | | |
| 795 | 1 BLEEDER CAP | 717 | 3239-G | Ø20,6 | 3249-G | Ø19 | | | |
| 3227-G | Ø23,8 | 3239-G | Ø20,6 | 1224 | 2 SEAL | 52 | 795 | 1 BLEEDER CAP | 717 |
| 1407 | 2 SEAL | 28 | 1526 | 2 CONNECTION SEAL | 711 | 80015 | 1 O-RING | 65 | |
| 1507 | 1 CONNECTION SEAL | 707 | 82038 | 2 WASHER | | 80016 | 1 O-RING | 65 | |
| 806 | 1 PIN BUSHING | 301 | 1223 | 1 SEAL | 45 | RW-3089 | 1 FRICTION BUSHING | | |
| GP-28 | 1 SNAP RING | | 1301 | 1 SEAL | 66 | 3248-G | Ø15,9 | | |
| 3229-G | Ø20,6 | 3240-G | Ø23,8 | 1422 | 2 SEAL | 32 | 3249-G | Ø19 | |
| 1523 | 2 CONNECTION SEAL | 708 | 1255 | 2 SEAL | 49 | 1508 | 2 BOOT | 236 | |
| 559 | 2 SEAL | 27 | 609 | 2 SEAL | 9 | 795 | 1 BLEEDER CAP | 717 | |
| 633 | 2 SEAL | 42 | 703 | 2 BOOT | 200 | 3248-G | Ø15,9 | | |
| 82038 | 2 WASHER | | 795 | 1 BLEEDER CAP | 717 | 1422 | 2 SEAL | 32 | |
| 1301 | 1 SEAL | 66 | | | | 1508 | 2 BOOT | 236 | |
| 3231-G | Ø20,6 | | | | | 795 | 1 BLEEDER CAP | 717 | |
| 1258 | 2 SEAL | 46 | | | | 3249-G | Ø19 | | |
| 1523 | 2 CONNECTION SEAL | 708 | | | | 603 | 2 SEAL | 9 | |
| 559 | 2 SEAL | 27 | | | | 709 | 2 BOOT | 214 | |
| 633 | 2 SEAL | 42 | | | | 795 | 1 BLEEDER CAP | 717 | |
| 82042 | 2 WASHER | | | | | | | | |
| PS-2 | 2 BOLT | | | | | | | | |
| 1268 | 1 PISTON SEAL | 500 | | | | | | | |
| GP-28 | 1 SNAP RING | | | | | | | | |



REPAIR KITS COMPOSITION



| | | | | | |
|---------------|-----------------------|---------------|----------------|-------------------|--------------|
| 3250-G | Ø17,5 | 3258-G | Ø34 | 3267-G | Ø48 |
| 1239 | 1 SEAL | 49 | 1295 | 1 PISTON SEAL | 500 |
| 1310 | 1 SEAL | 32 | 534 | 1 O-RING | 504 |
| 1582 | 1 BOOT | 251 | 795 | 1 BLEEDER CAP | 717 |
| 82011 | 1 WASHER | | 864 | 1 CALIPER BOOT | 411 |
| 3251-G | Ø19 | 3259-G | Ø23,8 | 3268-G | Ø31,8 |
| 640 | 2 SEAL | 49 | 1241 | 3 SEAL | 29 |
| 823 | 2 BOOT | 254 | 1242 | 2 SEAL | 54 |
| 795 | 1 BLEEDER CAP | 717 | 1307 | 2 VALVE SEAT | 811 |
| 8205 | 1 O-RING | 504 | 2077 | 2 CONNECTION SEAL | 703 |
| 3252-G | Ø22,2 | 82026 | 2 WASHER | 3269-G | Ø25,4 |
| 1304 | 2 SEAL | 38 | 80004 | 1 O-RING | 65 |
| 1526 | 2 CONNECTION SEAL | 711 | GP-26 | 1 SNAP RING | |
| 82044 | 2 WASHER | | 3260-G | Ø25,4 | |
| 1302 | 1 SEAL | 58 | 1308 | 2 SEAL | 53 |
| 641-A | 1 SEAL | 49 | 1309 | 2 SEAL | 29 |
| 694 | 1 PISTON SEAL | 500 | 791-A | 2 CONNECTION SEAL | 707 |
| 80061 | 1 O-RING | 65 | 82026 | 2 WASHER | |
| GP-35 | 1 SNAP RING | | GP-28 | 1 SNAP RING | |
| 3253-G | Ø19 | 3262-G | Ø30 | 3270-G | Ø44,4 |
| 791-A | 2 CONNECTION SEAL | 707 | 834 | 2 PIN BUSHING | 605 |
| 1249 | 1 SEAL | 58 | 1271 | 1 PISTON SEAL | 500 |
| 1256 | 1 SEAL | 38 | 1531 | 1 CALIPER BOOT | 400 |
| 1304 | 1 SEAL | 38 | 1718 | 1 SEAL | 32 |
| 640 | 1 SEAL | 49 | 2342 | 1 RETAINER SEAL | 726 |
| 694 | 1 PISTON SEAL | 500 | 795 | 1 BLEEDER CAP | 717 |
| 80056 | 1 O-RING | 65 | 80015 | 1 O-RING | 65 |
| 82044 | 1 WASHER | | 3263-G | Ø22,2 | |
| GP-35 | 1 SNAP RING | | 641-A | 1 SEAL | 49 |
| 3254-G | Ø19 | 788 | 1 BOOT | 205 | |
| 1305 | 2 SEAL | 52 | 795 | 1 BLEEDER CAP | 717 |
| 1306 | 2 SEAL | 45 | 3264-G | Ø23,8 | |
| 1526 | 2 CONNECTION SEAL | 711 | 682-B | 1 SEAL | 24 |
| 82025 | 2 WASHER | | 795 | 1 BLEEDER CAP | 717 |
| GP-20 | 1 SNAP RING | | 823 | 1 BOOT | 254 |
| 3256-G | Ø35 | 3265-G | Ø38,1 | 3274-G | Ø23,8 |
| 1270 | 2 PISTON SEAL | 500 | 1423 | 2 SEAL | 32 |
| 1289 | 2 SQUARE SECTION SEAL | 501 | 716 | 2 BOOT | 211 |
| 2378 | 2 BOOT | 429 | 795 | 1 BLEEDER CAP | 717 |
| 795 | 1 BLEEDER CAP | 717 | 3266-GV | Ø25,4 | |
| 3257-G | Ø36 | 667 | 2 SEAL | 22 | |
| 834 | 2 PIN BUSHING | 605 | 1150 | 1 VALVE | 808 |
| 1270 | 1 PISTON SEAL | 500 | 840 | 1 PIN BUSHING | 305 |
| 1529 | 1 CALIPER BOOT | 400 | C-413 | 1 VALVE SEAT | 820 |
| 1718 | 1 SEAL | 32 | GP-28 | 1 SNAP RING | |
| 2342 | 1 RETAINER SEAL | 726 | 3275-GV | Ø41,3 | |
| 795 | 1 BLEEDER CAP | 717 | 1316 | 2 SEAL | 54 |
| 80015 | 1 O-RING | 65 | 1317 | 2 SEAL | 20 |
| 80043 | 1 O-RING | 65 | 81022 | 2 WASHER | |
| | | | 1150 | 1 VALVE | 808 |
| | | | 1315 | 1 SEAL | 49 |
| | | | GP-30 | 1 SNAP RING | |



REPAIR KITS COMPOSITION

| | | | | | | | | |
|---------------|-------------------|---------------|---------------|-----------------------|--------------|---------------|-------------------|-----|
| 3305-G | Ø28,6 | 3317-G | Ø30 | 3326-G | Ø20,6 | | | |
| 1775 | 2 SEAL | 19 | 892 | 4 PIN BUSHING | 622 | 1211 | 2 SEAL | 43 |
| 795 | 1 BLEEDER CAP | 717 | 80112.70 | 2 O-RING | 65 | 703 | 2 BOOT | 200 |
| 809 | 1 PIN BUSHING | 301 | 1271 | 1 PISTON SEAL | 500 | 795 | 1 BLEEDER CAP | 717 |
| GP-21 | 1 SNAP RING | | 1541 | 1 CALIPER BOOT | 408 | C-715 | 1 O-RING | 504 |
| GP-28 | 1 SNAP RING | | 1839 | 1 SEAL | 520 | 3327-G | Ø25,4 | |
| 3306-G | Ø38,1 | | 1841 | 1 BLEEDER CAP | 718 | 649 | 2 SEAL | 27 |
| 1423 | 2 SEAL | 32 | 2362 | 1 HANDBRAKE BOOT | 638 | 1326 | 1 SEAL | 59 |
| C-815 | 2 BOOT | 214 | 80037 | 1 O-RING | 65 | 1879 | 1 CONNECTION SEAL | 713 |
| 795 | 1 BLEEDER CAP | 717 | BRIDA-1 | 1 BINDING HOOP | | 636 | 1 SEAL | 42 |
| 3307-G | Ø31,8 | | 3319-G | Ø36 | | 791 | 1 CONNECTION SEAL | 702 |
| 1325 | 1 SEAL | 49 | 1270 | 1 PISTON SEAL | 500 | 80049 | 1 O-RING | 65 |
| 544 | 1 SEAL | 505 | 534 | 1 O-RING | 504 | 80072.70 | 1 O-RING | 65 |
| 810-A | 1 PIN BUSHING | 301 | 795 | 1 BLEEDER CAP | 717 | 3328-G | Ø23,8 | |
| 3308-G | Ø19 | | 80037 | 1 O-RING | 65 | 1245 | 2 SEAL | 32 |
| 657 | 2 SEAL | 32 | 864 | 1 CALIPER BOOT | 411 | 82050 | 2 WASHER | |
| 791 | 2 CONNECTION SEAL | 702 | 3320-G | Ø36 | | 1241 | 1 SEAL | 29 |
| 82031 | 2 WASHER | | 1270 | 4 PISTON SEAL | 500 | 1326 | 1 SEAL | 59 |
| 1326 | 1 SEAL | 59 | 1543 | 4 CALIPER BOOT | 510 | 1879 | 1 CONNECTION SEAL | 713 |
| 640-A | 1 SEAL | 42 | RW-3005 | 4 BOOT PROTECTOR | | 791 | 1 CONNECTION SEAL | 702 |
| 694 | 1 PISTON SEAL | 500 | 795 | 2 BLEEDER CAP | 717 | 80049 | 1 O-RING | 65 |
| 80059 | 1 O-RING | 65 | 3321-G | Ø36 | | 80072.70 | 1 O-RING | 65 |
| GP-35 | 1 SNAP RING | | 1270 | 4 PISTON SEAL | 500 | 3330-G | Ø19 | |
| 3309-G | Ø20,6 | | 2378 | 4 BOOT | 429 | 603 | 2 SEAL | 9 |
| 1234 | 2 SEAL | 32 | 795 | 3 BLEEDER CAP | 717 | 728 | 2 BOOT | 214 |
| 791 | 2 CONNECTION SEAL | 702 | 1289 | 2 SQUARE SECTION SEAL | 501 | 795 | 1 BLEEDER CAP | 717 |
| 82042 | 2 WASHER | | 3322-G | Ø15,9 | | 3332-G | Ø52 | |
| 1326 | 1 SEAL | 59 | 1339 | 1 SEAL | 55 | 1569 | 2 BOOT | 619 |
| 633 | 1 SEAL | 42 | 1340 | 1 SEAL | 19 | 1895 | 2 PLASTIC CAP | 723 |
| 80059 | 1 O-RING | 65 | 1395 | 1 SEAL | 2 | 1902 | 1 PISTON SEAL | 500 |
| 80109 | 1 O-RING | 65 | 800 | 1 BOOT | 251 | 795 | 1 BLEEDER CAP | 717 |
| GP-35 | 1 SNAP RING | | 3323-G | Ø30 | | 891 | 1 CALIPER BOOT | 401 |
| 3310-G | Ø20,6 | | 795 | 1 BLEEDER CAP | 717 | 3333-G | Ø22,2 | |
| 1260 | 2 SEAL | 20 | 809 | 1 PIN BUSHING | 301 | 1428 | 2 SEAL | 41 |
| 791-A | 2 CONNECTION SEAL | 707 | C-767 | 1 SEAL | 30 | 707 | 2 BOOT | 215 |
| 82042 | 2 WASHER | | 3324-G | Ø19 | | 795 | 1 BLEEDER CAP | 717 |
| 1327 | 1 SEAL | 59 | 657 | 2 SEAL | 32 | 3334-G | Ø15,9 | |
| 682-C | 1 SEAL | 24 | 539 | 1 SEAL | 505 | 1429 | 2 SEAL | 24 |
| 694 | 1 PISTON SEAL | 500 | 640 | 1 SEAL | 49 | 786 | 2 BOOT | 217 |
| GP-35 | 1 SNAP RING | | 801 | 1 BOOT | 251 | 795 | 1 BLEEDER CAP | 717 |
| 3325-G | Ø20,6 | | 3325-G | Ø20,6 | | 3335-G | Ø19 | |
| 1403 | 3 SEAL | 505 | 1403 | 3 SEAL | 505 | 1410 | 1 SEAL | 24 |
| 791-A | 2 CONNECTION SEAL | 707 | 791-A | 2 CONNECTION SEAL | 707 | 1538 | 1 PIN BUSHING | 307 |
| 639-A | 1 SEAL | 49 | 639-A | 1 SEAL | 49 | 795 | 1 BLEEDER CAP | 717 |



REPAIR KITS COMPOSITION

| | | | | | | | |
|----------------|--------------------------|---------------|-------------------|-------------------|----------------|--------------------------|--------------------------|
| 3336-G | Ø20,6 | 3346-G | Ø22,2 | 3355-G | Ø20,6 | | |
| 1224 | 2 SEAL | 52 | 1226 | 2 SEAL | 32 | | |
| 1301 | 2 SEAL | 66 | 1302 | 1 SEAL | 58 | | |
| 82009 | 2 WASHER | | 1879 | 1 CONNECTION SEAL | 713 | | |
| 1223 | 1 SEAL | 45 | 637 | 1 SEAL | 42 | | |
| GP-22 | 1 SNAP RING | | 791 | 1 CONNECTION SEAL | 702 | | |
| 3337-G | Ø51 | 80056 | 1 O-RING | 65 | 80056 | 1 O-RING | 65 |
| 2352 | 2 PIN BUSHING | 604 | 80109 | 1 O-RING | 65 | GP-35 | 1 SNAP RING |
| 1279 | 1 PISTON SEAL | 500 | 3348-G | Ø15,9 | 3356-G | Ø48 | |
| 1524 | 1 CALIPER BOOT | 400 | 1422 | 2 SEAL | 32 | 1289 | 2 SQUARE SECTION SEAL501 |
| 795 | 1 BLEEDER CAP | 717 | 1510 | 2 BOOT | 236 | 2295 | 2 BOOT |
| 3338-G | Ø22,2 | 795 | 1 BLEEDER CAP | 717 | 547 | 2 SQUARE SECTION SEAL500 | |
| 1430 | 1 SEAL | 40 | 3350-G | Ø19 | RW-2923 | 2 RETAINING RING | |
| 1743 | 1 SEAL | 24 | 1871 | 1 PIN BUSHING | 307 | 795 | 1 BLEEDER CAP |
| 2417 | 1 PIN BUSHING | 302 | 2116 | 1 SEAL | 42 | 3357-G | Ø19 |
| 795 | 1 BLEEDER CAP | 717 | 640 | 1 SEAL | 49 | 1250 | 1 SEAL |
| 3339-G | Ø22,2 | 657 | 1 SEAL | 32 | 1507 | 1 CONNECTION SEAL | 707 |
| 1343 | 2 SEAL | 54 | 3351-G | Ø22,2 | 640 | 1 SEAL | 49 |
| 82044 | 2 WASHER | | 641-A | 1 SEAL | 49 | 807 | 1 PIN BUSHING |
| 1341 | 1 SEAL | 42 | 795 | 1 BLEEDER CAP | 717 | 3358-G | Ø20,6 |
| 1342 | 1 SEAL | 24 | 806 | 1 PIN BUSHING | 301 | 1254 | 3 SEAL |
| 2078 | 1 PIN BUSHING | 263 | 3352-G | Ø15,9 | 791-A | 2 CONNECTION SEAL | 707 |
| GP-26 | 1 SNAP RING | | 1208 | 2 SEAL | 42 | 1680 | 1 SEAL |
| 3340-G | Ø57 | 745 | 2 BOOT | 207 | 639-A | 1 SEAL | 49 |
| 1274 | 1 PISTON SEAL | 500 | 795 | 1 BLEEDER CAP | 717 | 694 | 1 PISTON SEAL |
| 1545 | 1 BOOT | 400 | 3353-G | Ø23,8 | GP-30 | 1 SNAP RING | |
| 795 | 1 BLEEDER CAP | 717 | 1350 | 2 SEAL | 27 | 3359-G | Ø48 |
| 3342-G | Ø17,5 | 791-E | 2 CONNECTION SEAL | 710 | 834 | 2 PIN BUSHING | 605 |
| 1431 | 2 SEAL | 24 | 1352 | 1 SEAL | 24 | 1554 | 1 CALIPER BOOT |
| 1546 | 2 BOOT | 233 | 1353 | 1 SEAL | 19 | 547 | 1 SQUARE SECTION SEAL500 |
| 795 | 1 BLEEDER CAP | 717 | 2183 | 1 SEAL | 14 | 795 | 1 BLEEDER CAP |
| 3343-G | Ø48 | G-1 | 1 BOOT | 727 | RW-2923 | 1 RETAINING RING | |
| 1547 | 2 PIN BUSHING | 604 | 3354-G | Ø19 | 3361-G | Ø22,2 | |
| 548 | 1 SQUARE SECTION SEAL500 | | 657 | 3 SEAL | 32 | 1816 | 2 CONNECTION SEAL |
| 795 | 1 BLEEDER CAP | 717 | 791-A | 2 CONNECTION SEAL | 707 | 643 | 2 SEAL |
| 879 | 1 CALIPER BOOT | 400 | 1234 | 1 SEAL | 32 | 791-A | 2 CONNECTION SEAL |
| 3344-G | Ø48 | 1249 | 1 SEAL | 58 | 82046 | 2 WASHER | |
| 1530 | 1 CALIPER BOOT | 416 | 694 | 1 PISTON SEAL | 500 | 1366 | 1 SEAL |
| 1548 | 1 PIN BUSHING | 609 | 82025 | 1 WASHER | | 1367 | 1 SEAL |
| 2061 | 1 PIN BUSHING | 627 | 82038 | 1 WASHER | | 694 | 1 PISTON SEAL |
| 547 | 1 SQUARE SECTION SEAL500 | | GP-26 | 1 SNAP RING | | GP-35 | 1 SNAP RING |
| 795 | 1 BLEEDER CAP | 717 | | | | | |
| RW-2928 | 1 RETAINING RING | | | | | | |
| 3345-G | Ø48 | | | | | | |
| 1551 | 1 BOOT | 406 | | | | | |
| 547 | 1 SQUARE SECTION SEAL500 | | | | | | |
| 795 | 1 BLEEDER CAP | 717 | | | | | |



REPAIR KITS COMPOSITION

| | | | | | | | | |
|----------------|-----------------------|-----------------|-----------------------|-------------------|----------------|-------------------|-----------------------|-----|
| 3393-G | Ø54 | 3403-G | Ø46 | 3413-G | Ø25,4 | | | |
| 2331 | 1 BOOT | 401 | 1880 | 4 CALIPER BOOT | 510 | 1816 | 2 CONNECTION SEAL | 704 |
| 549 | 1 SQUARE SECTION SEAL | 500 | 1903 | 4 PISTON SEAL | 500 | 649 | 2 SEAL | 27 |
| 795 | 1 BLEEDER CAP | 717 | RW-2959 | 4 BOOT PROTECTOR | | 82061 | 2 WASHER | |
| 3395-G | Ø22,2 | 1908 | 2 SQUARE SECTION SEAL | 501 | 1366 | 1 SEAL | 57 | |
| 1226 | 4 SEAL | 32 | 795 | 1 BLEEDER CAP | 717 | 1641 | 1 SEAL | 29 |
| 1871 | 1 PIN BUSHING | 307 | 3404-G | Ø43,6 | 1646 | 1 SEAL | 59 | |
| 641-A | 1 SEAL | 49 | 1497 | 2 SEAL | 24 | 694 | 1 PISTON SEAL | 500 |
| 3396-G | Ø40 | C-815 | 2 BOOT | 214 | 80056 | 1 O-RING | 65 | |
| 1268 | 4 PISTON SEAL | 500 | 795 | 1 BLEEDER CAP | 717 | GP-35 | 1 SNAP RING | |
| 1289 | 4 SQUARE SECTION SEAL | 501 | 3405-G | Ø22,2 | 3414-G | Ø25,4 | | |
| 2319 | 4 BOOT | 420 | 1226 | 2 SEAL | 32 | 1445 | 2 SEAL | 45 |
| RW-2921 | 4 RETAINING RING | | 82046 | 2 WASHER | | 1816 | 2 CONNECTION SEAL | 704 |
| 795 | 2 BLEEDER CAP | 717 | 1326 | 1 SEAL | 59 | 1302 | 1 SEAL | 58 |
| 3397-G | Ø20,6 | 1879 | 1 CONNECTION SEAL | 713 | 646-B | 1 SEAL | 49 | |
| 2483 | 1 PIN BUSHING | 301 | 637 | 1 SEAL | 42 | 80056 | 1 O-RING | 65 |
| 639-A | 1 SEAL | 49 | 791 | 1 CONNECTION SEAL | 702 | 3415-G | Ø23,8 | |
| 795 | 1 BLEEDER CAP | 717 | 80049 | 1 O-RING | 65 | 1244 | 2 SEAL | 32 |
| 3398-G | Ø20,6 | 80070.70 | 1 O-RING | 65 | 1255 | 2 SEAL | 49 | |
| 1520 | 2 BOOT | 259 | 3406-G | Ø20,6 | 1816 | 2 CONNECTION SEAL | 704 | |
| 639-A | 2 SEAL | 49 | 1234 | 2 SEAL | 32 | GP-24 | 1 SNAP RING | |
| 795 | 1 BLEEDER CAP | 717 | 1816 | 2 CONNECTION SEAL | 704 | 3417-G | Ø20,6 | |
| 3399-G | Ø22,2 | 633 | 2 SEAL | 42 | 639-A | 2 SEAL | 49 | |
| 641-A | 1 SEAL | 49 | 82038 | 2 WASHER | 823 | 2 BOOT | 254 | |
| 795 | 1 BLEEDER CAP | 717 | 3407-G | Ø15,9 | 795 | 1 BLEEDER CAP | 717 | |
| 898 | 1 PIN BUSHING | 320 | 1498 | 2 SEAL | 29 | 3418-G | Ø22,2 | |
| GP-1007 | 1 SNAP RING | | 745 | 2 BOOT | 207 | 641-A | 2 SEAL | 49 |
| 3400-G | Ø19 | 795 | 1 BLEEDER CAP | 717 | 823 | 2 BOOT | 254 | |
| 1256 | 2 SEAL | 38 | 3408-G | Ø17,5 | 795 | 1 BLEEDER CAP | 717 | |
| 1249 | 1 SEAL | 58 | 1499 | 2 SEAL | 24 | 3419-G | Ø33 | |
| 1647 | 1 SEAL | 28 | 1503 | 2 BOOT | 208 | 1289 | 2 SQUARE SECTION SEAL | 501 |
| 694 | 1 PISTON SEAL | 500 | 795 | 1 BLEEDER CAP | 717 | 1295 | 2 PISTON SEAL | 500 |
| GP-35 | 1 SNAP RING | | 3409-G | Ø19 | 1817 | 2 BOOT | 420 | |
| 3401-G | Ø42 | 1504 | 2 BOOT | 208 | RW-2930 | 2 RETAINING RING | | |
| 1639 | 1 BOOT | 260 | 663 | 2 SEAL | 32 | 795 | 1 BLEEDER CAP | 717 |
| 80070.70 | 1 O-RING | 65 | 795 | 1 BLEEDER CAP | 717 | 3420-G | Ø27 | |
| 3402-G | Ø23,8 | 3410-G | Ø22,2 | 1294 | 1 PISTON SEAL | 500 | | |
| 1245 | 2 SEAL | 32 | 1367 | 2 SEAL | 38 | 1818 | 1 BOOT | 407 |
| 1816 | 2 CONNECTION SEAL | 704 | 1504 | 2 BOOT | 208 | 795 | 1 BLEEDER CAP | 717 |
| 791-A | 2 CONNECTION SEAL | 707 | 795 | 1 BLEEDER CAP | 717 | 3421-G | Ø33 | |
| 1366 | 1 SEAL | 57 | 3411-G | Ø22,2 | 1295 | 1 PISTON SEAL | 500 | |
| 1640 | 1 SEAL | 38 | 1226 | 2 SEAL | 32 | 1818 | 1 BOOT | 407 |
| 694 | 1 PISTON SEAL | 500 | 1816 | 2 CONNECTION SEAL | 704 | 795 | 1 BLEEDER CAP | 717 |
| GP-35 | 1 SNAP RING | | 637 | 2 SEAL | 42 | RW-2930 | 1 RETAINING RING | |
| | | | 82046 | 2 WASHER | | | | |



REPAIR KITS COMPOSITION



| | | | | | | | |
|---------------|-------------------|---------------|---------------|--------------------------|---------------|--------------------------|-----|
| 3422-G | Ø33 | 3433-G | Ø19 | 3442-G | Ø48 | | |
| 1569 | 2 BOOT | 619 | 640 | 2 SEAL | 49 | | |
| 1895 | 2 PLASTIC CAP | 723 | 703 | 2 BOOT | 200 | | |
| 1295 | 1 PISTON SEAL | 500 | 795 | 1 BLEEDER CAP | 717 | | |
| 1597 | 1 BOOT | 406 | 3434-G | Ø28,6 | 3443-G | Ø20,6 | |
| 2068 | 1 SEAL | 513 | 1204 | 1 SEAL | 32 | | |
| 795 | 1 BLEEDER CAP | 717 | 734 | 1 BOOT | 236 | | |
| 80023 | 1 O-RING | 65 | 795 | 1 BLEEDER CAP | 717 | | |
| RW-2922 | 1 RETAINING RING | | 3435-G | Ø28,6 | 3444-G | Ø17,5 | |
| 3424-G | Ø23,8 | | 1204 | 1 SEAL | 32 | | |
| 1244 | 4 SEAL | 32 | 689-C | 1 SEAL | 61 | | |
| 1302 | 1 SEAL | 58 | 734 | 1 BOOT | 236 | | |
| 694 | 1 PISTON SEAL | 500 | 795 | 1 BLEEDER CAP | 717 | | |
| 3425-G | Ø19 | | 3437-G | Ø42 | 3445-G | Ø19 | |
| 1521 | 1 CONNECTION SEAL | 705 | 1267 | 2 PISTON SEAL | 500 | | |
| 1704 | 1 SEAL | 28 | 1821 | 2 CALIPER BOOT | 414 | | |
| 1763 | 1 SEAL | 28 | 795 | 2 BLEEDER CAP | 717 | | |
| 836 | 1 PIN BUSHING | 309 | RW-2974 | 2 RETAINING RING | | | |
| GP-22 | 1 SNAP RING | | 3438-G | Ø60 | 657 | 3 SEAL | 32 |
| 3426-G | Ø22,2 | | 1569 | 2 BOOT | 619 | | |
| 1702 | 1 SEAL | 32 | 1895 | 2 PLASTIC CAP | 723 | | |
| 795 | 1 BLEEDER CAP | 717 | 1296 | 1 PISTON SEAL | 500 | | |
| 898 | 1 PIN BUSHING | 320 | 1822 | 1 CALIPER BOOT | 401 | | |
| GP-1007 | 1 SNAP RING | | 795 | 1 BLEEDER CAP | 717 | | |
| 3427-G | Ø22,2 | | 3439-G | Ø43 | 3446-G | Ø57 | |
| 1226 | 4 SEAL | 32 | 834 | 2 PIN BUSHING | 605 | | |
| 1249 | 1 SEAL | 58 | 1297 | 1 PISTON SEAL | 500 | | |
| 694 | 1 PISTON SEAL | 500 | 1718 | 1 SEAL | 32 | | |
| 3428-G | Ø23,8 | | 2045 | 1 CALIPER BOOT | 400 | | |
| 1244 | 2 SEAL | 32 | 2342 | 1 RETAINER SEAL | 726 | | |
| 1490 | 2 SEAL | 29 | 795 | 1 BLEEDER CAP | 717 | | |
| 1326 | 1 SEAL | 59 | 80015 | 1 O-RING | 65 | | |
| 694 | 1 PISTON SEAL | 500 | 3440-G | Ø54 | 3447-G | Ø60 | |
| 3429-G | Ø38 | | 2027 | 1 CALIPER BOOT | 414 | | |
| 1569 | 2 BOOT | 619 | 2048 | 1 PIN BUSHING | 627 | | |
| 1895 | 2 PLASTIC CAP | 723 | 2407 | 1 PIN BUSHING | 630 | | |
| 1905 | 1 PISTON SEAL | 500 | 549-B | 1 SQUARE SECTION SEAL500 | | | |
| 2368 | 1 BOOT | 403 | 795 | 1 BLEEDER CAP | 717 | | |
| 795 | 1 BLEEDER CAP | 717 | RW-2928 | 1 RETAINING RING | | | |
| 3430-G | Ø30 | | 3441-G | Ø57 | 3448-G | Ø57 | |
| 1271 | 3 PISTON SEAL | 500 | 1272 | 1 PISTON SEAL | 500 | | |
| 1820 | 3 BOOT | 417 | 1889 | 1 CALIPER BOOT | 414 | | |
| 795 | 1 BLEEDER CAP | 717 | 2215 | 1 PIN BUSHING | 627 | | |
| 3431-G | Ø19 | | 2272 | 1 BOOT | 236 | | |
| 1336 | 1 SEAL | 24 | 795 | 1 BLEEDER CAP | 717 | | |
| 1537 | 1 PIN BUSHING | 314 | RW-2927 | 1 RETAINING RING | | | |
| 795 | 1 BLEEDER CAP | 717 | 3449-G | Ø35 | 1270 | 2 PISTON SEAL | 500 |
| | | | | | 1289 | 2 SQUARE SECTION SEAL501 | |
| | | | | | 8029 | 2 HARD CALIPER BOOT | 429 |
| | | | | | 795 | 1 BLEEDER CAP | 717 |
| | | | | | 3450-G | Ø42 | |
| | | | | | 1297 | 2 PISTON SEAL | 500 |
| | | | | | 1826 | 2 CALIPER BOOT | 424 |
| | | | | | 795 | 1 BLEEDER CAP | 717 |



REPAIR KITS COMPOSITION

| | | | | | |
|---------------|--------------------------|---------------|--------------------------|---------------|-------------------|
| 3451-G | Ø38 | 3460-G | Ø23,8 | 3468-G | Ø22,2 |
| 1289 | 2 SQUARE SECTION SEAL501 | 1255 | 1 SEAL | 2316 | 1 PIN BUSHING |
| 2387 | 2 BOOT | 1705 | 1 SEAL | 641-A | 1 SEAL |
| 546-A | 2 SQUARE SECTION SEAL500 | 795 | 1 BLEEDER CAP | 795 | 1 BLEEDER CAP |
| 795 | 1 BLEEDER CAP | 898 | 1 PIN BUSHING | GP-1005 | 1 SNAP RING |
| 3452-G | Ø19 | GP-1007 | 1 SNAP RING | 3469-G | Ø19 |
| 1516 | 1 PIN BUSHING | 3461-G | Ø23,8 | 1521 | 1 CONNECTION SEAL |
| 1521 | 1 CONNECTION SEAL | 1705 | 1 SEAL | 1708 | 1 SEAL |
| 1704 | 1 SEAL | 795 | 1 BLEEDER CAP | 1834 | 1 PIN BUSHING |
| 1763 | 1 SEAL | 898 | 1 PIN BUSHING | 657 | 1 SEAL |
| 3453-G | Ø19 | GP-1007 | 1 SNAP RING | 80049 | 1 O-RING |
| 640 | 2 SEAL | 3462-G | Ø19 | GP-26 | 1 SNAP RING |
| 1516 | 1 PIN BUSHING | 19 | 2 VALVE SEAT | 3472-G | Ø19 |
| 3454-G | Ø19 | 640 | 2 SEAL | 1521 | 1 CONNECTION SEAL |
| 657 | 3 SEAL | 1642 | 1 SEAL | 1871 | 1 PIN BUSHING |
| 82031 | 2 WASHER | 3463-G | Ø22,2 | 640 | 1 SEAL |
| 1244 | 1 SEAL | 1816 | 2 CONNECTION SEAL | 657 | 1 SEAL |
| 1246 | 1 SEAL | 641-A | 2 SEAL | 82025 | 1 WASHER |
| 694 | 1 PISTON SEAL | 643 | 2 SEAL | GP-21 | 1 SNAP RING |
| GP-28 | 1 SNAP RING | 3464-G | Ø22,2 | 3473-G | Ø23,8 |
| 3455-G | Ø19 | 19 | 2 VALVE SEAT | 1244 | 2 SEAL |
| 2118 | 2 SEAL | 1386 | 1 SEAL | 791 | 2 CONNECTION SEAL |
| 1244 | 1 SEAL | 1643 | 1 SEAL | 1326-A | 1 SEAL |
| 1326 | 1 SEAL | 508 | 1 SEAL | 1721 | 1 SEAL |
| 2116 | 1 SEAL | GP-24 | 1 SNAP RING | 694 | 1 PISTON SEAL |
| 694 | 1 PISTON SEAL | 3465-G | Ø46 | 80057 | 1 O-RING |
| 3456-G | Ø60 | 1289 | 2 SQUARE SECTION SEAL501 | GP-35 | 1 SNAP RING |
| 1289 | 2 SQUARE SECTION SEAL501 | 1299 | 2 PISTON SEAL | 3474-G | Ø20,6 |
| 1296 | 2 PISTON SEAL | 2277 | 2 BOOT | 1303 | 2 SEAL |
| 1827 | 2 CALIPER BOOT | RW-2926 | 2 RETAINING RING | 791-A | 2 CONNECTION SEAL |
| RW-3084 | 2 BOOT PROTECTOR | 795 | 1 BLEEDER CAP | 82038 | 2 WASHER |
| 795 | 1 BLEEDER CAP | 3466-G | Ø40 | 1338 | 1 SEAL |
| 3457-G | Ø38 | 1268 | 2 PISTON SEAL | 1644 | 1 SEAL |
| 1289 | 2 SQUARE SECTION SEAL501 | 1572 | 2 BOOT | 694 | 1 PISTON SEAL |
| 1828 | 2 CALIPER BOOT | 1832 | 2 BOOT | GP-35 | 1 SNAP RING |
| 546-A | 2 SQUARE SECTION SEAL500 | 795 | 2 BLEEDER CAP | 3475-G | Ø22,2 |
| 795 | 1 BLEEDER CAP | 2080 | 1 BOOT | 1304 | 2 SEAL |
| 3458-G | Ø54 | 3467-G | Ø23,8 | 791-A | 2 CONNECTION SEAL |
| 834 | 2 PIN BUSHING | 1645 | 3 SEAL | 82044 | 2 WASHER |
| 1829 | 1 CALIPER BOOT | 791 | 2 CONNECTION SEAL | 1337 | 1 SEAL |
| 549 | 1 SQUARE SECTION SEAL500 | 1326-A | 1 SEAL | 1644 | 1 SEAL |
| 795 | 1 BLEEDER CAP | 2104 | 1 SEAL | 694 | 1 PISTON SEAL |
| 3459-G | Ø44 | 694 | 1 PISTON SEAL | GP-35 | 1 SNAP RING |
| 1266 | 4 PISTON SEAL | 80059 | 1 O-RING | TR-2 | 1 SCREW |
| 2209 | 4 BOOT | GP-35 | 1 SNAP RING | 3476-G | Ø14,3 |
| 80079 | 4 O-RING | | | 1508 | 2 BOOT |
| 795 | 3 BLEEDER CAP | | | 1710 | 2 SEAL |
| 1910 | 2 SQUARE SECTION SEAL501 | | | 795 | 1 BLEEDER CAP |



REPAIR KITS COMPOSITION

| | | | | | | | |
|---------------|-------------------|---------------|---------------|-------------------------|---------------|---------------|-----|
| 3477-G | Ø19 | 3487-G | Ø19 | 3503-G | Ø15,9 | | |
| 1521 | 1 CONNECTION SEAL | 705 | 1816 | 2 CONNECTION SEAL | 704 | | |
| 1707 | 1 SEAL | 64 | 656 | 2 SEAL | 27 | | |
| 1833 | 1 PIN BUSHING | 310 | 791-A | 2 CONNECTION SEAL | 707 | | |
| 657 | 1 SEAL | 32 | 82031 | 2 WASHER | | | |
| 3478-G | Ø23 | 1247 | 1 SEAL | 38 | 3504-G | Ø15,9 | |
| 1706 | 1 SEAL | 28 | 1646 | 1 SEAL | 59 | | |
| 795 | 1 BLEEDER CAP | 717 | 694 | 1 PISTON SEAL | 500 | | |
| 898 | 1 PIN BUSHING | 320 | 80056 | 1 O-RING | 65 | | |
| GP-1007 | 1 SNAP RING | | GP-35 | 1 SNAP RING | | | |
| 3479-G | Ø19 | 3488-G | Ø20,6 | 1363 | 2 SEAL | 54 | |
| 1704 | 2 SEAL | 28 | 1816 | 2 CONNECTION SEAL | 704 | | |
| 1835 | 2 BOOT | 257 | 642 | 2 SEAL | 32 | | |
| 795 | 1 BLEEDER CAP | 717 | 82038 | 2 WASHER | | | |
| 3480-G | Ø15,9 | 1230 | 1 SEAL | 42 | 1364 | 1 SEAL | 29 |
| 1709 | 2 SEAL | 28 | 1646 | 1 SEAL | 59 | | |
| 1836 | 2 BOOT | 257 | 694 | 1 PISTON SEAL | 500 | | |
| 795 | 1 BLEEDER CAP | 717 | 80056 | 1 O-RING | 65 | | |
| 3481-G | Ø57 | 3490-G | Ø48 | GP-19 | 1 SNAP RING | | |
| 1874 | 2 PIN BUSHING | 645 | 834 | 2 PIN BUSHING | 605 | | |
| 1274 | 1 PISTON SEAL | 500 | 1553 | 1 CALIPER BOOT | 400 | | |
| 1875 | 1 CALIPER BOOT | 400 | 547 | 1 SQUARE SECTION SEAL | 500 | | |
| 795 | 1 BLEEDER CAP | 717 | 795 | 1 BLEEDER CAP | 717 | | |
| 3482-G | Ø19 | 3491-G | Ø25,4 | 3506-G | Ø23,8 | | |
| 640 | 2 SEAL | 49 | 646 | 2 SEAL | 49 | | |
| 703 | 2 BOOT | 200 | 705 | 2 BOOT | 203 | | |
| 795 | 1 BLEEDER CAP | 717 | 795 | 1 BLEEDER CAP | 717 | | |
| 8205 | 1 O-RING | 504 | 3497-G | Ø19 | 3507-G | Ø60 | |
| 3483-G | Ø36 | 1256 | 2 SEAL | 38 | 1265 | 2 PISTON SEAL | 500 |
| 1569 | 2 BOOT | 619 | 1399 | 2 SEAL | 53 | | |
| 1895 | 2 PLASTIC CAP | 723 | 1762 | 2 VALVE (WITHOUT SLOTS) | 805 | | |
| 1842 | 1 CALIPER BOOT | 403 | 2044 | 2 VALVE (WITH SLOTS) | 805 | | |
| 1900 | 1 PISTON SEAL | 500 | 1371 | 1 SEAL | 14 | | |
| 795 | 1 BLEEDER CAP | 717 | 3498-G | Ø54 | 3508-G | Ø25,4 | |
| 3486-G | Ø20,6 | 892 | 4 PIN BUSHING | 622 | 1457 | 2 SEAL | 41 |
| 1816 | 2 CONNECTION SEAL | 704 | 80112.70 | 2 O-RING | 65 | | |
| 559 | 2 SEAL | 27 | 1845 | 1 CALIPER BOOT | 408 | | |
| 791-A | 2 CONNECTION SEAL | 707 | 549 | 1 SQUARE SECTION SEAL | 500 | | |
| 1230 | 1 SEAL | 42 | 795 | 1 BLEEDER CAP | 717 | | |
| 1648 | 1 SEAL | 57 | 889 | 1 CALIPER BOOT | 408 | | |
| 694 | 1 PISTON SEAL | 500 | 3499-G | Ø48 | 3509-G | Ø15,9 | |
| 80056 | 1 O-RING | 65 | 1806 | 1 HARD CALIPER BOOT | 432 | | |
| GP-35 | 1 SNAP RING | | 2070 | 1 PIN BUSHING | 618 | | |
| | | | 2071 | 1 PIN BUSHING | 618 | | |
| | | | 548 | 1 SQUARE SECTION SEAL | 500 | | |
| | | | 795 | 1 BLEEDER CAP | 717 | | |
| | | | 3510-G | Ø22,2 | 1417 | 1 SEAL | 40 |
| | | | 1417 | 1 SEAL | 40 | | |
| | | | 1743 | 1 SEAL | 24 | | |
| | | | 795 | 1 BLEEDER CAP | 717 | | |
| | | | 821 | 1 BOOT | 254 | | |
| | | | GP-22 | 1 SNAP RING | | | |
| | | | 3512-G | Ø57 | 834 | 2 PIN BUSHING | 605 |
| | | | 1274 | 1 PISTON SEAL | 500 | | |
| | | | 1875 | 1 CALIPER BOOT | 400 | | |
| | | | 795 | 1 BLEEDER CAP | 717 | | |



REPAIR KITS COMPOSITION

| | | | | | | |
|---------------|-----------------------|---------------|---------------|-------------------|-------------------|--------------|
| 3513-G | Ø40 | 3522-G | Ø20,6 | 3534-G | Ø22,2 | |
| 1268 | 2 PISTON SEAL | 500 | 1715 | 1 SEAL | 39 | |
| 1289 | 2 SQUARE SECTION SEAL | 501 | 1867 | 1 PIN BUSHING | 303 | |
| 2065 | 2 CALIPER BOOT | 429 | 795 | 1 BLEEDER CAP | 717 | |
| 795 | 1 BLEEDER CAP | 717 | | | | |
| 3514-G | Ø17,5 | 3523-G | Ø17,5 | 3535-G | Ø25,4 | |
| 1862 | 2 BOOT | 216 | 1496 | 2 SEAL | 11 | |
| 640-B | 2 SEAL | 42 | 1864 | 2 BOOT | 216 | |
| 795 | 1 BLEEDER CAP | 717 | 795 | 1 BLEEDER CAP | 717 | |
| 3515-G | Ø14,3 | 3524-G | Ø19 | 3536-G | Ø23,8 | |
| 1401 | 2 SEAL | 9 | 1864 | 2 BOOT | 216 | |
| 1863 | 2 BOOT | 216 | 603 | 2 SEAL | 9 | |
| 795 | 1 BLEEDER CAP | 717 | 795 | 1 BLEEDER CAP | 717 | |
| 3516-G | Ø19 | 3525-G | Ø22,2 | 3537-G | Ø54 | |
| 1864 | 2 BOOT | 216 | 1654 | 2 SEAL | 52 | |
| 2118 | 2 SEAL | 29 | 1653 | 1 SEAL | 66 | |
| 795 | 1 BLEEDER CAP | 717 | 1685 | 1 SEAL | 46 | |
| 3517-G | Ø54 | 3527-G | Ø20,6 | | | |
| 2063 | 1 CALIPER BOOT | 435 | 1364 | 3 SEAL | 29 | |
| 549 | 1 SQUARE SECTION SEAL | 500 | 2077 | 2 CONNECTION SEAL | 703 | |
| 795 | 1 BLEEDER CAP | 717 | 1363 | 1 SEAL | 54 | |
| 3518-G | Ø33 | 3528-G | Ø20,6 | 3538-G | Ø51 | |
| 2423 | 2 PIN BUSHING | 624 | 1364 | 3 SEAL | 29 | |
| 1280 | 1 PISTON SEAL | 500 | 1363 | 2 SEAL | 54 | |
| 1841 | 1 BLEEDER CAP | 718 | 2077 | 2 CONNECTION SEAL | 703 | |
| 2213 | 1 PIN BUSHING | 615 | GP-22 | 1 SNAP RING | | |
| 2361 | 1 BOOT | 401 | 3529-G | Ø20,6 | 3539-G | Ø34 |
| 8173 | 1 PLASTIC CAP | 723 | 1538 | 1 PIN BUSHING | 307 | |
| 3519-G | Ø17,5 | 3529-G | Ø20,6 | 1716 | 1 SEAL | 34 |
| 1216 | 2 SEAL | 42 | 1538 | 1 PIN BUSHING | 307 | |
| 1866 | 2 BOOT | 257 | 1716 | 1 SEAL | 34 | |
| 795 | 1 BLEEDER CAP | 717 | 795 | 1 BLEEDER CAP | 717 | |
| 3520-G | Ø22,2 | 3530-G | Ø15,9 | GP-21 | 1 SNAP RING | |
| 1304 | 2 SEAL | 38 | 1624 | 2 SEAL | 32 | |
| 791-A | 2 CONNECTION SEAL | 707 | 821 | 1 BOOT | 254 | |
| 1337 | 1 SEAL | 28 | GP-23 | 1 SNAP RING | | |
| 1652 | 1 SEAL | 64 | 3531-G | Ø22,2 | 3533-G | Ø20,6 |
| 694 | 1 PISTON SEAL | 500 | 1656 | 3 SEAL | 29 | |
| GP-35 | 1 SNAP RING | | 1673 | 2 SEAL | 54 | |
| 3521-G | Ø15,9 | 3531-G | Ø22,2 | 2077 | 2 CONNECTION SEAL | 703 |
| 1243 | 1 SEAL | 31 | 1656 | 3 SEAL | 29 | |
| 1396 | 1 VALVE SEAT | 802 | 1673 | 2 SEAL | 54 | |
| 1626 | 1 SEAL | 41 | 2077 | 2 CONNECTION SEAL | 703 | |
| 821 | 1 BOOT | 254 | GP-24 | 1 SNAP RING | | |
| GP-23 | 1 SNAP RING | | 3533-G | Ø20,6 | | |
| | | | 1413 | 2 SEAL | 11 | |
| | | | 1803 | 2 BOOT | 243 | |
| | | | 795 | 1 BLEEDER CAP | 717 | |



REPAIR KITS COMPOSITION

| | | | | | |
|---------------|-----------------------|---------------|-----------------------|-------------------|-----------------------|
| 3540-G | Ø38 | 3546-G | Ø22,2 | 3557-G | Ø15,9 |
| 1885 | 2 PIN BUSHING | 604 | 1608 | 2 SEAL | 54 |
| 1718 | 1 SEAL | 32 | 1226 | 1 SEAL | 32 |
| 1801 | 1 CALIPER BOOT | 400 | 1658 | 1 SEAL | 59 |
| 1932 | 1 SQUARE SECTION SEAL | 501 | 80052 | 1 O-RING | 65 |
| 2051 | 1 RETAINER SEAL | 720 | 82044 | 1 WASHER | |
| 2227 | 1 SEAL FOR GUIDE | 518 | GP-32 | 1 SNAP RING | |
| 546-A | 1 SQUARE SECTION SEAL | 500 | 3548-G | Ø54 | 3558-G |
| 795 | 1 BLEEDER CAP | 717 | 1547 | 2 PIN BUSHING | 604 |
| 80016 | 1 O-RING | 65 | 1518 | 1 CALIPER BOOT | 400 |
| 3541-G | Ø36 | 549 | 1 SQUARE SECTION SEAL | 500 | GP-23 |
| 1270 | 1 PISTON SEAL | 500 | 795 | 1 BLEEDER CAP | 717 |
| 1869 | 1 HARD CALIPER BOOT | 433 | 3549-G | Ø34 | 3559-G |
| 2334 | 1 PIN BUSHING | 625 | 2353 | 2 PIN BUSHING | 655 |
| 2426 | 1 PLASTIC CAP | 714 | 1295 | 1 PISTON SEAL | 500 |
| 2439 | 1 PIN BUSHING | 625 | 1713 | 1 SEAL | 39 |
| 534 | 1 O-RING | 504 | 1872 | 1 CALIPER BOOT | 400 |
| 795 | 1 BLEEDER CAP | 717 | 2356 | 1 RETAINER SEAL | 729 |
| 8220 | 1 HANDBRAKE BOOT | 638 | 795 | 1 BLEEDER CAP | 717 |
| BRIDA-1 | 1 BINDING HOOP | | 80015 | 1 O-RING | 65 |
| 3542-G | Ø20,6 | 3550-G | Ø57 | 3560-G | Ø20,6 |
| 1382 | 2 SEAL | 54 | 2350 | 2 PIN BUSHING | 651 |
| 1471 | 1 SEAL | 32 | 1281 | 1 PISTON SEAL | 500 |
| 1658 | 1 SEAL | 59 | 1873 | 1 CALIPER BOOT | 400 |
| 80052 | 1 O-RING | 65 | 2229 | 1 SEAL FOR GUIDE | 519 |
| 82038 | 1 WASHER | | 2455 | 1 SEAL FOR GUIDE | 519 |
| GP-32 | 1 SNAP RING | | 795 | 1 BLEEDER CAP | 717 |
| 3543-G | Ø30 | 3553-G | Ø20,6 | 3561-G | Ø17,5 |
| 2355 | 2 PIN BUSHING | 603 | 703 | 2 BOOT | 200 |
| 1271 | 1 PISTON SEAL | 500 | 1211 | 1 SEAL | 43 |
| 1531 | 1 CALIPER BOOT | 400 | 639-A | 1 SEAL | 49 |
| 1718 | 1 SEAL | 32 | 795 | 1 BLEEDER CAP | 717 |
| 1884 | 1 RETAINER SEAL | 721 | C-715 | 1 O-RING | 504 |
| 795 | 1 BLEEDER CAP | 717 | 3555-G | Ø20,6 | 3562-G |
| 80015 | 1 O-RING | 65 | 1234 | 2 SEAL | 32 |
| 8151 | 1 SEAL FOR GUIDE | 518 | 1816 | 2 CONNECTION SEAL | 704 |
| 3544-G | Ø19 | 82038 | 2 WASHER | | 1429 |
| 1410 | 2 SEAL | 24 | 1326 | 1 SEAL | 59 |
| 1525 | 2 BOOT | 209 | 633 | 1 SEAL | 42 |
| 795 | 1 BLEEDER CAP | 717 | 80109 | 1 O-RING | 65 |
| 3545-G | Ø19 | 3556-G | Ø57 | 3564-G | Ø23,8 |
| 1410 | 1 SEAL | 24 | 1874 | 2 PIN BUSHING | 645 |
| 1659 | 1 SEAL | 40 | 1281 | 1 PISTON SEAL | 500 |
| 1871 | 1 PIN BUSHING | 307 | 1841 | 1 BLEEDER CAP | 718 |
| 795 | 1 BLEEDER CAP | 717 | 1873 | 1 CALIPER BOOT | 400 |
| | | | | 3565-G | Ø54 |
| | | | | 1885 | 2 PIN BUSHING |
| | | | | 1868 | 1 CALIPER BOOT |
| | | | | 549 | 1 SQUARE SECTION SEAL |
| | | | | 795 | 1 BLEEDER CAP |
| | | | | 8151 | 1 SEAL FOR GUIDE |
| | | | | 3567-G | Ø22,2 |
| | | | | 1643 | 1 SEAL |
| | | | | 788 | 1 BOOT |
| | | | | 795 | 1 BLEEDER CAP |



REPAIR KITS COMPOSITION



| | | | | | | | | |
|---------------|--------------------------|---------------|---------------|-------------------|----------------|--------------------------|--------------------------|-----|
| 3569-G | Ø41 | 3578-G | Ø25,4 | 3588-G | Ø19 | | | |
| 1267 | 4 PISTON SEAL | 500 | 1308 | 2 SEAL | 53 | 1359 | 2 SEAL | 24 |
| 1514 | 4 SEAL | 510 | 1666 | 1 SEAL | 48 | 1326 | 1 SEAL | 59 |
| RW-2949 | 4 BOOT PROTECTOR | | 667 | 1 SEAL | 22 | 1879 | 1 CONNECTION SEAL | 713 |
| 795 | 3 BLEEDER CAP | 717 | 80039 | 1 O-RING | 65 | 2118 | 1 SEAL | 29 |
| 1908 | 2 SQUARE SECTION SEAL501 | | GP-26 | 1 SNAP RING | | 791-A | 1 CONNECTION SEAL | 707 |
| 8297 | 2 SQUARE SECTION SEAL502 | | 3579-G | Ø23,8 | 80049 | 1 O-RING | 65 | |
| 3570-G | Ø25,4 | 1242 | 2 SEAL | 54 | 80071.70 | 1 O-RING | 65 | |
| 1664 | 2 SEAL | 38 | 1244 | 1 SEAL | 32 | 3589-G | Ø48 | |
| 1326 | 1 SEAL | 59 | 1668 | 1 SEAL | 13 | 1885 | 2 PIN BUSHING | 604 |
| 1879 | 1 CONNECTION SEAL | 713 | 80041 | 1 O-RING | 65 | 1838 | 1 CALIPER BOOT | 401 |
| 636 | 1 SEAL | 42 | GP-25 | 1 SNAP RING | | 2227 | 1 SEAL FOR GUIDE | 518 |
| 694.70 | 1 PISTON SEAL | 500 | 3580-G | Ø40 | 547 | 1 SQUARE SECTION SEAL500 | | |
| 791 | 1 CONNECTION SEAL | 702 | 1881 | 2 CALIPER BOOT | 510 | 795 | 1 BLEEDER CAP | 717 |
| 80054 | 1 O-RING | 65 | 1904 | 2 PISTON SEAL | 500 | 3590-G | Ø30 | |
| 80071.70 | 1 O-RING | 65 | 795 | 1 BLEEDER CAP | 717 | 1885 | 2 PIN BUSHING | 604 |
| 81011 | 1 SQUARE SECTION SEAL | 52 | 80044.70 | 1 O-RING | 65 | 1271 | 1 PISTON SEAL | 500 |
| 3572-G | Ø27 | 3581-G | Ø20,6 | 1531 | 1 CALIPER BOOT | 400 | | |
| 1227 | 2 SEAL | 42 | 1712 | 2 SEAL | 39 | 1718 | 1 SEAL | 32 |
| 751 | 2 BOOT | 214 | 703 | 2 BOOT | 200 | 1884 | 1 RETAINER SEAL | 721 |
| 795 | 1 BLEEDER CAP | 717 | 795 | 1 BLEEDER CAP | 717 | 795 | 1 BLEEDER CAP | 717 |
| 3574-G | Ø25,4 | 3582-G | Ø19 | 80015 | 1 O-RING | 65 | | |
| 1411 | 1 SEAL | 32 | 1250 | 3 SEAL | 82 | GP-1009 | 1 SNAP RING | |
| 1878 | 1 BOOT | 204 | 791-A | 2 CONNECTION SEAL | 707 | 3591-G | Ø17,5 | |
| 795 | 1 BLEEDER CAP | 717 | 641-D | 1 SEAL | 51 | 640-B | 2 SEAL | 42 |
| 3575-G | Ø19 | 3583-G | Ø22,2 | 746 | 2 BOOT | 207 | | |
| 1538 | 1 PIN BUSHING | 307 | 1253 | 3 SEAL | 82 | 795 | 1 BLEEDER CAP | 717 |
| 1665 | 1 SEAL | 39 | 791-A | 2 CONNECTION SEAL | 707 | 3592-G | Ø36 | |
| 795 | 1 BLEEDER CAP | 717 | 1251 | 1 SEAL | 60 | 892 | 4 PIN BUSHING | 622 |
| 3576-G | Ø35 | 1680 | 1 SEAL | 59 | 80112.70 | 2 O-RING | 65 | |
| 1270 | 1 PISTON SEAL | 500 | 80109 | 1 O-RING | 65 | 1270 | 1 PISTON SEAL | 500 |
| 1548 | 1 PIN BUSHING | 609 | GP-30 | 1 SNAP RING | | 1886 | 1 CALIPER BOOT | 408 |
| 1595 | 1 BOOT | 414 | 3584-G | Ø22,2 | 795 | 1 BLEEDER CAP | 717 | |
| 2061 | 1 PIN BUSHING | 627 | 1711 | 2 SEAL | 20 | 80037 | 1 O-RING | 65 |
| 2211 | 1 RETAINER SEAL | 725 | 748-A | 2 BOOT | 210 | 3593-G | Ø22,2 | |
| 795 | 1 BLEEDER CAP | 717 | 795 | 1 BLEEDER CAP | 717 | 1656 | 3 SEAL | 29 |
| 80030 | 1 O-RING | 65 | 3586-G | Ø57 | 1673 | 2 SEAL | 54 | |
| RW-2989 | 1 RETAINING RING | | 2337 | 2 PIN BUSHING | 625 | 3595-G | Ø54 | |
| 3577-G | Ø54 | 1274 | 1 PISTON SEAL | 500 | 1887 | 2 PIN BUSHING | 630 | |
| 2374 | 1 BOOT | 414 | 1575 | 1 CALIPER BOOT | 433 | 2027 | 1 CALIPER BOOT | 414 |
| 534 | 1 O-RING | 504 | 1841 | 1 BLEEDER CAP | 718 | 2217 | 1 PIN BUSHING | 617 |
| 549 | 1 SQUARE SECTION SEAL500 | | | | | 2360 | 1 CAP | 736 |
| 795 | 1 BLEEDER CAP | 717 | | | | 549 | 1 SQUARE SECTION SEAL500 | |
| RW-2928 | 1 RETAINING RING | | | | | 795 | 1 BLEEDER CAP | 717 |
| | | | | | | RW-2928 | 1 RETAINING RING | |



REPAIR KITS COMPOSITION

| | | | | | | | | |
|---------------|--------------------------|---------------|----------------|--------------------------|---------------|-------------------|--------------------------|-----|
| 3597-G | Ø54 | 3613-G | Ø22,2 | 3625-G | Ø20,6 | | | |
| 1547 | 2 PIN BUSHING | 604 | 1816 | 2 CONNECTION SEAL | 704 | | | |
| 1868 | 1 CALIPER BOOT | 400 | 643 | 2 SEAL | 27 | | | |
| 2227 | 1 SEAL FOR GUIDE | 518 | 82046 | 2 WASHER | | | | |
| 549 | 1 SQUARE SECTION SEAL500 | 1366 | 1 SEAL | 57 | 1344 | 1 SEAL | 29 | |
| 795 | 1 BLEEDER CAP | 717 | 1367 | 1 SEAL | 38 | 1706 | 1 SEAL | 28 |
| 3599-G | Ø15,9 | 694 | 1 PISTON SEAL | 500 | GP-28 | 1 SNAP RING | | |
| 1429 | 2 SEAL | 24 | GP-35 | 1 SNAP RING | | 3626-G | Ø27 | |
| 1888 | 2 BOOT | 251 | 3614-G | Ø25,4 | 1228 | 2 SEAL | 27 | |
| 795 | 1 BLEEDER CAP | 717 | 1309 | 3 SEAL | 29 | 1227 | 1 SEAL | 42 |
| 3600-G | Ø15,9 | 1308 | 1 SEAL | 53 | 1326 | 1 SEAL | 59 | |
| 1429 | 2 SEAL | 24 | 80005 | 1 O-RING | 65 | 1879 | 1 CONNECTION SEAL | 713 |
| 804 | 2 BOOT | 238 | 3616-G | Ø27 | 791-A | 1 CONNECTION SEAL | 707 | |
| 795 | 1 BLEEDER CAP | 717 | 1676 | 2 SEAL | 54 | 80054 | 1 O-RING | 65 |
| 3602-G | Ø23,8 | 1677 | 2 SEAL | 29 | 80072.70 | 1 O-RING | 65 | |
| 82050 | 2 WASHER | | 2077 | 2 CONNECTION SEAL | 703 | 3627-G | Ø15,9 | |
| 1244 | 1 SEAL | 32 | 1678 | 1 SEAL | 48 | 1213 | 1 SEAL | 42 |
| 1326 | 1 SEAL | 59 | 3617-G | Ø25,4 | 1439 | 1 SEAL | 25 | |
| 1721 | 1 SEAL | 42 | 1308 | 2 SEAL | 53 | 791-A | 1 CONNECTION SEAL | 707 |
| 1879 | 1 CONNECTION SEAL | 713 | 1345 | 1 SEAL | 37 | 806 | 1 PIN BUSHING | 301 |
| 791-A | 1 CONNECTION SEAL | 707 | 1365 | 1 SEAL | 29 | GP-21 | 1 SNAP RING | |
| 80054 | 1 O-RING | 65 | 3618-G | Ø48 | 3629-G | Ø23,8 | | |
| 80071.70 | 1 O-RING | 65 | 547 | 2 SQUARE SECTION SEAL500 | | 1491 | 3 SEAL | 29 |
| 3604-G | Ø43 | 879 | 2 CALIPER BOOT | 400 | 1892 | 2 CONNECTION SEAL | 703 | |
| 1297 | 2 PISTON SEAL | 500 | 2049 | 1 BOOT | 608 | 1242 | 1 SEAL | 54 |
| 1885 | 2 PIN BUSHING | 604 | 2050 | 1 BOOT | 617 | 80004 | 1 O-RING | 65 |
| 1890 | 2 CALIPER BOOT | 400 | 795 | 1 BLEEDER CAP | 717 | 3631-G | Ø23,8 | |
| 2227 | 1 SEAL FOR GUIDE | 518 | 3619-G | Ø25,4 | 1242 | 2 SEAL | 54 | |
| 795 | 1 BLEEDER CAP | 717 | 1480 | 2 SEAL | 41 | 1491 | 2 SEAL | 29 |
| 3605-G | Ø15,9 | 1562 | 2 BOOT | 219 | 3634-G | Ø38,1 | | |
| 1624 | 2 SEAL | 32 | 795 | 1 BLEEDER CAP | 717 | 1460 | 1 SEAL | 49 |
| 80002 | 1 O-RING | 65 | 3620-G | Ø51 | 568 | 1 SEAL | 2 | |
| 897 | 1 BOOT | 256 | 1548 | 1 PIN BUSHING | 609 | GP-1002 | 1 SNAP RING | |
| GP-24 | 1 SNAP RING | | 2061 | 1 PIN BUSHING | 627 | 3635-G | Ø17,5 | |
| 3607-G | Ø17,5 | 2306 | 1 BOOT | 414 | 1499 | 2 SEAL | 24 | |
| 1537 | 1 PIN BUSHING | 314 | 548-A | 1 SQUARE SECTION SEAL500 | 703 | 2 BOOT | 200 | |
| 1719 | 1 SEAL | 39 | 795 | 1 BLEEDER CAP | 717 | 795 | 1 BLEEDER CAP | 717 |
| 1720 | 1 SEAL | 24 | RW-2928 | 1 RETAINING RING | | 3638-G | Ø19 | |
| 795 | 1 BLEEDER CAP | 717 | 3621-G | Ø15,9 | 660 | 2 SEAL | 32 | |
| 3610-G | Ø23,8 | 1396 | 1 VALVE SEAT | 802 | 706 | 2 BOOT | 211 | |
| 1721 | 2 SEAL | 42 | 1429 | 1 SEAL | 24 | 795 | 1 BLEEDER CAP | 717 |
| 705 | 2 BOOT | 203 | 3624-G | Ø19 | 3639-G | Ø54 | | |
| 795 | 1 BLEEDER CAP | 717 | 1679 | 1 SEAL | 28 | 8064 | 2 PIN BUSHING | 625 |
| 3612-G | Ø15,9 | 795 | 1 BLEEDER CAP | 717 | 1577 | 1 CALIPER BOOT | 433 | |
| 1624 | 1 SEAL | 32 | 806 | 1 PIN BUSHING | 301 | 1841 | 1 BLEEDER CAP | 718 |
| 1675 | 1 SEAL | 54 | GP-20 | 1 SNAP RING | | 2091 | 1 SEAL FOR GUIDE | 515 |
| 1891 | 1 BOOT | 252 | | | | 549 | 1 SQUARE SECTION SEAL500 | |
| GP-24 | 1 SNAP RING | | | | | | | |



REPAIR KITS COMPOSITION

| | | | | | | | | | | |
|---------------|--------------------------|---------------|---------------------|--------------------------|---------------|--------------------------|-------------------|----------------|--------------------------|-----|
| 3640-G | Ø20,6 | 3651-G | Ø43 | 3660-G | Ø54 | | | | | |
| 682-C | 2 SEAL | 24 | 1841 | 2 BLEEDER CAP | 718 | | | | | |
| 786 | 2 BOOT | 217 | 834 | 2 PIN BUSHING | 605 | | | | | |
| 795 | 1 BLEEDER CAP | 717 | 1297 | 1 PISTON SEAL | 500 | | | | | |
| 3641-G | Ø22,2 | 1890 | 1 CALIPER BOOT | 400 | 1898 | 1 CALIPER BOOT | 400 | | | |
| 1409 | 2 SEAL | 24 | 547 | 1 SQUARE SECTION SEAL500 | 549-B | 1 SQUARE SECTION SEAL500 | | | | |
| 786 | 2 BOOT | 217 | 879 | 1 CALIPER BOOT | 400 | 3661-G | Ø54 | | | |
| 795 | 1 BLEEDER CAP | 717 | 3652-G | Ø23,8 | 1841 | 1 BLEEDER CAP | 718 | | | |
| 3643-G | Ø23,8 | 1681 | 3 SEAL | 82 | 549 | 1 SQUARE SECTION SEAL500 | 891 | 1 CALIPER BOOT | 401 | |
| 1507 | 2 CONNECTION SEAL | 707 | 1507 | 2 CONNECTION SEAL | 707 | 3662-G | Ø19 | | | |
| 1680 | 2 SEAL | 59 | 1366 | 1 SEAL | 57 | 1525 | 2 BOOT | 209 | | |
| 1681 | 2 SEAL | 82 | 694 | 1 PISTON SEAL | 500 | 640 | 2 SEAL | 49 | | |
| 694.70 | 1 PISTON SEAL | 500 | GP-35 | 1 SNAP RING | 3653-G | Ø25,4 | 795 | 1 BLEEDER CAP | 717 | |
| GP-30 | 1 SNAP RING | 3644-G | Ø19 | 1723 | 2 SEAL | 42 | 3664-G | Ø25,4 | | |
| 1250 | 1 SEAL | 82 | C-799 | 2 BOOT | 214 | 1507 | 2 CONNECTION SEAL | 707 | | |
| 1507 | 1 CONNECTION SEAL | 707 | 795 | 1 BLEEDER CAP | 717 | 1682 | 2 SEAL | 82 | | |
| 1701 | 1 SEAL | 503 | 3654-G | Ø28,6 | 1252 | 1 SEAL | 508 | | | |
| 640 | 1 SEAL | 49 | 1203 | 2 SEAL | 42 | 1366 | 1 SEAL | 57 | | |
| 80055 | 1 O-RING | 65 | C-799 | 2 BOOT | 214 | 1683 | 1 PISTON SEAL | 506 | | |
| GP-1004 | 1 SNAP RING | 3645-G | Ø40 | 795 | 1 BLEEDER CAP | 717 | 694 | 1 PISTON SEAL | 500 | |
| 2062 | 2 PIN BUSHING | 604 | 1227 | 2 SEAL | 42 | GP-35 | 1 SNAP RING | 3665-G | Ø42 | |
| 1268 | 1 PISTON SEAL | 500 | C-799 | 2 BOOT | 214 | 1297 | 1 PISTON SEAL | 500 | | |
| 1298 | 1 PISTON SEAL | 500 | 795 | 1 BLEEDER CAP | 717 | 1528 | 1 CALIPER BOOT | 401 | | |
| 1841 | 1 BLEEDER CAP | 718 | 3656-G | Ø45 | 795 | 1 BLEEDER CAP | 717 | | | |
| 1894 | 1 CALIPER BOOT | 400 | 1874 | 2 PIN BUSHING | 645 | 3666-G | Ø23,8 | | | |
| 2312 | 1 BOOT | 400 | 795 | 2 BLEEDER CAP | 717 | 1684 | 2 SEAL | 38 | | |
| 3647-G | Ø54 | 1298 | 1 PISTON SEAL | 500 | 1553 | 1 CALIPER BOOT | 400 | | | |
| 1569 | 2 BOOT | 619 | 1894 | 1 CALIPER BOOT | 400 | 82046 | 2 WASHER | | | |
| 1895 | 2 PLASTIC CAP | 723 | 547 | 1 SQUARE SECTION SEAL500 | 3657-G | Ø40 | 1255 | 1 SEAL | 49 | |
| 1811 | 1 CALIPER BOOT | 406 | 1874 | 2 PIN BUSHING | 645 | 1724 | 2 SEAL | 19 | | |
| 549-B | 1 SQUARE SECTION SEAL500 | 3648-G | Ø38 | 795 | 2 BLEEDER CAP | 717 | 1899 | 2 BOOT | 236 | |
| 795 | 1 BLEEDER CAP | 717 | 1268 | 1 PISTON SEAL | 500 | 795 | 1 BLEEDER CAP | 717 | | |
| RW-2929 | 1 RETAINING RING | 1569 | 2 BOOT | 619 | 2312 | 1 BOOT | 400 | 3667-G | Ø25,4 | |
| 3649-G | Ø54 | 1895 | 2 PLASTIC CAP | 723 | 547 | 1 SQUARE SECTION SEAL500 | 3668-G | Ø57 | | |
| 1874 | 2 PIN BUSHING | 645 | 1896 | 1 CALIPER BOOT | 406 | 879 | 1 CALIPER BOOT | 400 | | |
| 1518 | 1 CALIPER BOOT | 400 | 546-A | 1 SQUARE SECTION SEAL500 | 3658-G | Ø20,6 | 1272 | 2 PISTON SEAL | 500 | |
| 1841 | 1 BLEEDER CAP | 718 | 795 | 1 BLEEDER CAP | 717 | 1249 | 1 SEAL | 58 | | |
| 549 | 1 SQUARE SECTION SEAL500 | 1297 | 2 PISTON SEAL | 500 | 1303 | 1 SEAL | 39 | 1289 | 2 SQUARE SECTION SEAL501 | |
| | | 2020 | 2 HARD CALIPER BOOT | 430 | 639-A | 1 SEAL | 49 | 2020 | 2 HARD CALIPER BOOT | 430 |
| | | 795 | 2 BLEEDER CAP | 717 | 694 | 1 PISTON SEAL | 500 | 795 | 2 BLEEDER CAP | 717 |
| | | 3670-G | Ø43 | 1297 | 2 PISTON SEAL | 500 | 1297 | 2 PISTON SEAL | 500 | |
| | | 1297 | 2 PISTON SEAL | 500 | RW-2926 | 2 RETAINING RING | 2021 | 1 CALIPER BOOT | 423 | |
| | | RW-2926 | 2 RETAINING RING | | 795 | 1 BLEEDER CAP | 717 | 795 | 1 BLEEDER CAP | 717 |
| | | 2021 | 1 CALIPER BOOT | 423 | 8221 | 1 BOOT | 420 | 8221 | 1 BOOT | 420 |



REPAIR KITS COMPOSITION

| | | | | | |
|---------------|--------------------------|---------------|--------------------------|---------------|-----------------------|
| 3671-G | Ø48 | 3683-G | Ø38 | 3691-G | Ø19 |
| 547 | 2 SQUARE SECTION SEAL500 | 1885 | 2 PIN BUSHING 604 | 1521 | 1 CONNECTION SEAL 705 |
| 867-A | 2 CALIPER BOOT 428 | GP-1010 | 2 SNAP RING | 2079 | 1 PIN BUSHING 301 |
| 795 | 1 BLEEDER CAP 717 | 1718 | 1 SEAL 32 | 640 | 1 SEAL 49 |
| 3673-G | Ø45 | 1801 | 1 CALIPER BOOT 400 | 657 | 1 SEAL 32 |
| 834 | 2 PIN BUSHING 605 | 1884 | 1 RETAINER SEAL 721 | GP-24 | 1 SNAP RING |
| 1553 | 1 CALIPER BOOT 400 | 546-A | 1 SQUARE SECTION SEAL500 | 3692-G | Ø20,6 |
| 547 | 1 SQUARE SECTION SEAL500 | 795 | 1 BLEEDER CAP 717 | 559 | 2 SEAL 27 |
| 795 | 1 BLEEDER CAP 717 | 80015 | 1 O-RING 65 | 791-A | 2 CONNECTION SEAL 707 |
| 3675-G | Ø22,2 | 8151 | 1 SEAL FOR GUIDE 518 | 1230 | 1 SEAL 42 |
| 1367 | 2 SEAL 38 | GP-1011 | 1 SNAP RING | 1366 | 1 SEAL 57 |
| 703 | 2 BOOT 200 | 3684-G | Ø17,5 | 694 | 1 PISTON SEAL 500 |
| 795 | 1 BLEEDER CAP 717 | 1406 | 1 SEAL 24 | GP-35 | 1 SNAP RING |
| C-322 | 1 O-RING 504 | 788 | 1 BOOT 205 | 3693-G | Ø22,2 |
| 3676-G | Ø23,8 | 795 | 1 BLEEDER CAP 717 | 643 | 4 SEAL 27 |
| 1244 | 2 SEAL 32 | 3685-G | Ø25,4 | 2329 | 1 PIN BUSHING 308 |
| 1245 | 2 SEAL 32 | 636 | 2 SEAL 42 | 641-A | 1 SEAL 49 |
| 791-A | 2 CONNECTION SEAL 707 | 750 | 2 BOOT 203 | 3694-G | Ø20,6 |
| 82050 | 2 WASHER | 795 | 1 BLEEDER CAP 717 | 1234 | 4 SEAL 32 |
| 1302 | 1 SEAL 58 | 3686-G | Ø17,5 | 2329 | 1 PIN BUSHING 308 |
| 694 | 1 PISTON SEAL 500 | 2023 | 2 BOOT 258 | 639-A | 1 SEAL 49 |
| GP-28 | 1 SNAP RING | 659 | 2 SEAL 33 | 3695-G | Ø19 |
| TR-2 | 1 SCREW | 795 | 1 BLEEDER CAP 717 | 1871 | 1 PIN BUSHING 307 |
| 3677-G | Ø48 | 3687-G | Ø19 | 640 | 1 SEAL 49 |
| 1289 | 2 SQUARE SECTION SEAL501 | 2023 | 2 BOOT 258 | 657 | 1 SEAL 32 |
| 1932 | 2 SQUARE SECTION SEAL501 | 660 | 2 SEAL 32 | 791-A | 1 CONNECTION SEAL 707 |
| 2295 | 2 BOOT 418 | 795 | 1 BLEEDER CAP 717 | 82031 | 1 WASHER |
| 547 | 2 SQUARE SECTION SEAL500 | 3688-G | Ø19 | 3696-G | Ø23,8 |
| RW-2923 | 2 RETAINING RING | 640 | 2 SEAL 49 | 609 | 2 SEAL 9 |
| 795 | 1 BLEEDER CAP 717 | 727 | 2 BOOT 209 | 707 | 2 BOOT 215 |
| 3679-G | Ø23,8 | 795 | 1 BLEEDER CAP 717 | 795 | 1 BLEEDER CAP 717 |
| 2168 | 2 SEAL 54 | 3689-G | Ø22,2 | 3697-G | Ø25,4 |
| 82047 | 2 WASHER | 1674 | 2 SEAL 32 | 646 | 2 SEAL 49 |
| 1244 | 1 SEAL 32 | 791 | 2 CONNECTION SEAL 702 | 729 | 2 BOOT 259 |
| 1658 | 1 SEAL 59 | 1302 | 1 SEAL 58 | 795 | 1 BLEEDER CAP 717 |
| 2339 | 1 BOOT 262 | 1722 | 1 SEAL 42 | 3698-G | Ø22,2 |
| 80052 | 1 O-RING 65 | 2104 | 1 SEAL 65 | 641-A | 2 SEAL 49 |
| GP-32 | 1 SNAP RING | 694 | 1 PISTON SEAL 500 | 729 | 2 BOOT 259 |
| 3682-G | Ø57 | 80056 | 1 O-RING 65 | 795 | 1 BLEEDER CAP 717 |
| 834 | 2 PIN BUSHING 605 | GP-28 | 1 SNAP RING | 3699-G | Ø23,8 |
| 1281 | 1 PISTON SEAL 500 | 3690-G | Ø19 | 1700 | 2 SEAL 24 |
| 1873 | 1 CALIPER BOOT 400 | 1584 | 2 BOOT 219 | 895 | 2 BOOT 217 |
| 795 | 1 BLEEDER CAP 717 | 1659 | 2 SEAL 40 | 795 | 1 BLEEDER CAP 717 |
| | | 795 | 1 BLEEDER CAP 717 | | |



REPAIR KITS COMPOSITION

| | | | | | |
|----------------|--------------------------|----------------|-------------------|--------------------------|-------------------------|
| 3700-G | Ø25,4 | 3711-G | Ø20,6 | 3721-G | Ø22,2 |
| 2329 | 1 PIN BUSHING | 308 | 2112 | 2 SEAL | 29 |
| 2425 | 1 BLEEDER CAP | 737 | 1662 | 1 SEAL | 75 |
| 646 | 1 SEAL | 49 | 1687 | 1 SEAL | 27 |
| GP-1001 | 1 SNAP RING | | 80063.70 | 1 O-RING | 65 |
| 3701-G | Ø44 | GP-35 | 1 SNAP RING | 80005 | 1 O-RING |
| 1267 | 2 PISTON SEAL | 500 | | GP-24 | 1 SNAP RING |
| 2277 | 2 BOOT | 420 | 3713-G | Ø54 | 3723-G |
| RW-2921 | 2 RETAINING RING | | 1530 | 1 CALIPER BOOT | 416 |
| 795 | 1 BLEEDER CAP | 717 | 549-B | 1 SQUARE SECTION SEAL500 | 1241 |
| 3702-G | Ø54 | RW-2928 | 1 RETAINING RING | 1242 | 1 SEAL |
| 1289 | 2 SQUARE SECTION SEAL501 | | | 80005 | 1 O-RING |
| 1570 | 2 CALIPER BOOT | 430 | 3714-G | Ø54 | GP-24 |
| 549-B | 2 SQUARE SECTION SEAL500 | | 2027 | 1 CALIPER BOOT | 414 |
| 795 | 2 BLEEDER CAP | 717 | 549-B | 1 SQUARE SECTION SEAL500 | 1354 |
| 3704-G | Ø14,3 | RW-2933 | 1 RETAINING RING | 1396 | 1 VALVE SEAT |
| 1584 | 2 BOOT | 219 | | 1429 | 1 SEAL |
| 1710 | 2 SEAL | 28 | 3715-G | Ø23,8 | 795 |
| 795 | 1 BLEEDER CAP | 717 | 682-B | 2 SEAL | 24 |
| 3705-G | Ø19 | C-796 | 2 BOOT | C-796 | 204 |
| 1659 | 2 SEAL | 40 | 795 | 1 BLEEDER CAP | 717 |
| 2026 | 2 BOOT | 239 | 3716-G | Ø22,2 | 3725-G |
| 795 | 1 BLEEDER CAP | 717 | 1304 | 2 SEAL | 38 |
| 3707-G | Ø22,2 | 791-A | 2 CONNECTION SEAL | 707 | 1428 |
| 1674 | 2 SEAL | 59 | 1327 | 1 SEAL | 59 |
| 1722 | 2 SEAL | 42 | 1689 | 1 SEAL | 28 |
| 1816 | 2 CONNECTION SEAL | 704 | 694 | 1 PISTON SEAL | 500 |
| 82046 | 2 WASHER | | GP-35 | 1 SNAP RING | |
| 3708-G | Ø19 | 3717-G | Ø20,6 | 3727-G | Ø22,2 |
| 1610 | 2 SEAL | 54 | 1363 | 2 SEAL | 54 |
| 1371 | 1 SEAL | 14 | 1364 | 2 SEAL | 29 |
| 656 | 1 SEAL | 27 | GP-22 | 1 SNAP RING | |
| 821 | 1 BOOT | 254 | 3718-G | Ø20,6 | 3728-G |
| GP-24 | 1 SNAP RING | | 1363 | 2 SEAL | 54 |
| 3709-G | Ø51 | 1688 | 2 VALVE | 806 | 1435 |
| 2265 | 4 PIN BUSHING | 626 | 534 | 1 O-RING | 504 |
| 1279 | 1 PISTON SEAL | 500 | GP-22 | 1 SNAP RING | |
| 1802 | 1 CALIPER BOOT | 414 | 3719-G | Ø22,2 | 3729-G |
| 795 | 1 BLEEDER CAP | 717 | 1656 | 2 SEAL | 29 |
| RW-2933 | 1 RETAINING RING | | 1673 | 2 SEAL | 54 |
| 3710-G | Ø22,2 | 1658 | 1 SEAL | 59 | 2044 |
| 1443 | 2 SEAL | 54 | 3720-G | Ø22,2 | 2 VALVE (WITH SLOTS) |
| 1638 | 1 SEAL | 39 | 1342 | 2 SEAL | 24 |
| 1686 | 1 SEAL | 59 | 1673 | 2 SEAL | 54 |
| 80053 | 1 O-RING | 65 | 82027 | 2 WASHER | |
| 80063.70 | 1 O-RING | 65 | 534 | 1 O-RING | 504 |
| GP-32 | 1 SNAP RING | | GP-24 | 1 SNAP RING | |
| | | | | | 1450 |
| | | | | | 1 SEAL |
| | | | | | 1762 |
| | | | | | 1 VALVE (WITHOUT SLOTS) |
| | | | | | GP-26 |
| | | | | | 1 SNAP RING |
| | | | | | 3730-G |
| | | | | | Ø57 |
| | | | | | 1272 |
| | | | | | 1 PISTON SEAL |
| | | | | | 2027 |
| | | | | | 1 CALIPER BOOT |
| | | | | | 795 |
| | | | | | 1 BLEEDER CAP |
| | | | | | RW-2933 |
| | | | | | 1 RETAINING RING |



REPAIR KITS COMPOSITION



| | | | | | |
|---------------|-----------------------|---------------|-------------------|-------------------------|---------------|
| 3731-G | Ø54 | 3737-G | Ø19 | 3746-G | Ø27 |
| 1844 | 1 BOOT | 633 | 1394 | 1 SEAL | 19 |
| 1853 | 1 PIN BUSHING | 652 | 576 | 1 SEAL | 27 |
| 2027 | 1 CALIPER BOOT | 414 | 8156 | 1 PIN BUSHING | 305 |
| 549-B | 1 SQUARE SECTION SEAL | 500 | 3738-G | Ø15,9 | 647 |
| 795 | 1 BLEEDER CAP | 717 | 1355 | 1 SEAL | 39 |
| RW-2933 | 1 RETAINING RING | | 1582 | 1 BOOT | 251 |
| 3732-G | Ø30 | 1651 | 1 VALVE SEAT | 802 | 3747-G |
| 1271 | 1 PISTON SEAL | 500 | 19 | 1 VALVE SEAT | 801 |
| 1548 | 1 PIN BUSHING | 609 | 2119 | 1 SEAL | 37 |
| 1812 | 1 CALIPER BOOT | 416 | GP-22 | 1 SNAP RING | |
| 2061 | 1 PIN BUSHING | 627 | 3739-G | Ø15,9 | 2044 |
| 795 | 1 BLEEDER CAP | 717 | 1397 | 1 SEAL | 1 |
| 80015 | 1 O-RING | 65 | 1732 | 1 SEAL | 14 |
| 80030 | 1 O-RING | 65 | 824 | 1 BOOT | 255 |
| RW-2989 | 1 RETAINING RING | | 3740-G | Ø22,2 | 1660 |
| 3733-G | Ø51 | 1523 | 2 CONNECTION SEAL | 708 | 1663 |
| 2496 | 2 PIN BUSHING | 620 | 1722 | 2 SEAL | 42 |
| 2027 | 1 CALIPER BOOT | 414 | 643 | 2 SEAL | 27 |
| 2048 | 1 PIN BUSHING | 627 | 3741-G | Ø20,6 | 1695 |
| 548-A | 1 SQUARE SECTION SEAL | 500 | 1672 | 3 SEAL | 39 |
| 795 | 1 BLEEDER CAP | 717 | 1670 | 2 SEAL | 54 |
| RW-2933 | 1 RETAINING RING | | 82029 | 2 WASHER | |
| 3734-G | Ø19 | 80024 | 1 O-RING | 65 | 3749-G |
| 1410 | 2 SEAL | 24 | 3742-G | Ø22,2 | 1355 |
| 1803 | 2 BOOT | 243 | 1443 | 2 SEAL | 54 |
| 795 | 1 BLEEDER CAP | 717 | 1638 | 2 SEAL | 39 |
| 3735-G | Ø20,6 | 1620 | 1 SEAL | 39 | 1582 |
| 1912 | 2 SQUARE SECTION SEAL | 501 | 8205 | 1 O-RING | 504 |
| 642 | 2 SEAL | 32 | 3743-G | Ø20,6 | 2119 |
| 791-A | 2 CONNECTION SEAL | 707 | 1670 | 2 SEAL | 54 |
| 80005 | 2 O-RING | 65 | 1672 | 2 SEAL | 39 |
| 82031 | 2 WASHER | | 1671 | 1 SEAL | 39 |
| GP-1005 | 2 SNAP RING | | 2143 | 1 VALVE SEAT | 801 |
| 1230 | 1 SEAL | 42 | 3744-G | Ø23,8 | 82004 |
| 1238 | 1 SEAL | 521 | 1494 | 2 SEAL | 36 |
| 1326-A | 1 SEAL | 59 | 1762 | 2 VALVE (WITHOUT SLOTS) | 805 |
| 639-A | 1 SEAL | 49 | 2044 | 2 VALVE (WITH SLOTS) | 805 |
| 694 | 1 PISTON SEAL | 500 | 2170 | 2 SEAL | 54 |
| GP-24 | 1 SNAP RING | | 1695 | 1 SEAL | 39 |
| GP-28 | 1 SNAP RING | | GP-26 | 1 SNAP RING | |
| 3736-G | Ø19 | 3745-G | Ø23,8 | 3750-G | Ø15,9 |
| 1521 | 1 CONNECTION SEAL | 705 | 1494 | 2 SEAL | 54 |
| 1704 | 1 SEAL | 28 | 2170 | 2 SEAL | 54 |
| 1763 | 1 SEAL | 28 | 1695 | 1 SEAL | 39 |
| 830 | 1 BOOT | 257 | 2028 | 1 PIN BUSHING | 263 |
| | | | GP-26 | 1 SNAP RING | |
| | | | 3745-G | Ø23,8 | 3751-G |
| | | | 1494 | 2 SEAL | 54 |
| | | | 2170 | 2 SEAL | 54 |
| | | | 1695 | 1 SEAL | 39 |
| | | | 2028 | 1 PIN BUSHING | 263 |
| | | | GP-26 | 1 SNAP RING | |
| | | | | | 3752-G |
| | | | | | 1660 |
| | | | | | 1663 |
| | | | | | 1690 |
| | | | | | 2028 |
| | | | | | GP-26 |
| | | | | | 1660 |
| | | | | | 1663 |
| | | | | | 1690 |
| | | | | | 2028 |
| | | | | | GP-26 |
| | | | | | 1660 |
| | | | | | 1663 |
| | | | | | 1690 |
| | | | | | 2028 |
| | | | | | GP-26 |
| | | | | | 1660 |
| | | | | | 1663 |
| | | | | | 1690 |
| | | | | | 2028 |
| | | | | | GP-26 |
| | | | | | 1660 |
| | | | | | 1663 |
| | | | | | 1690 |
| | | | | | 2028 |
| | | | | | GP-26 |
| | | | | | 1660 |
| | | | | | 1663 |
| | | | | | 1690 |
| | | | | | 2028 |
| | | | | | GP-26 |
| | | | | | 1660 |
| | | | | | 1663 |
| | | | | | 1690 |
| | | | | | 2028 |
| | | | | | GP-26 |
| | | | | | 1660 |
| | | | | | 1663 |
| | | | | | 1690 |
| | | | | | 2028 |
| | | | | | GP-26 |
| | | | | | 1660 |
| | | | | | 1663 |
| | | | | | 1690 |
| | | | | | 2028 |
| | | | | | GP-26 |
| | | | | | 1660 |
| | | | | | 1663 |
| | | | | | 1690 |
| | | | | | 2028 |
| | | | | | GP-26 |
| | | | | | 1660 |
| | | | | | 1663 |
| | | | | | 1690 |
| | | | | | 2028 |
| | | | | | GP-26 |
| | | | | | 1660 |
| | | | | | 1663 |
| | | | | | 1690 |
| | | | | | 2028 |
| | | | | | GP-26 |
| | | | | | 1660 |
| | | | | | 1663 |
| | | | | | 1690 |
| | | | | | 2028 |
| | | | | | GP-26 |
| | | | | | 1660 |
| | | | | | 1663 |
| | | | | | 1690 |
| | | | | | 2028 |
| | | | | | GP-26 |
| | | | | | 1660 |
| | | | | | 1663 |
| | | | | | 1690 |
| | | | | | 2028 |
| | | | | | GP-26 |
| | | | | | 1660 |
| | | | | | 1663 |
| | | | | | 1690 |
| | | | | | 2028 |
| | | | | | GP-26 |
| | | | | | 1660 |
| | | | | | 1663 |
| | | | | | 1690 |
| | | | | | 2028 |
| | | | | | GP-26 |
| | | | | | 1660 |
| | | | | | 1663 |
| | | | | | 1690 |
| | | | | | 2028 |
| | | | | | GP-26 |
| | | | | | 1660 |
| | | | | | 1663 |
| | | | | | 1690 |
| | | | | | 2028 |
| | | | | | GP-26 |
| | | | | | 1660 |
| | | | | | 1663 |
| | | | | | 1690 |
| | | | | | 2028 |
| | | | | | GP-26 |
| | | | | | 1660 |
| | | | | | 1663 |
| | | | | | 1690 |
| | | | | | 2028 |
| | | | | | GP-26 |
| | | | | | 1660 |
| | | | | | 1663 |
| | | | | | 1690 |
| | | | | | 2028 |
| | | | | | GP-26 |
| | | | | | 1660 |
| | | | | | 1663 |
| | | | | | 1690 |
| | | | | | 2028 |
| | | | | | GP-26 |
| | | | | | 1660 |
| | | | | | 1663 |
| | | | | | 1690 |
| | | | | | 2028 |
| | | | | | GP-26 |
| | | | | | 1660 |
| | | | | | 1663 |
| | | | | | 1690 |
| | | | | | 2028 |
| | | | | | GP-26 |
| | | | | | 1660 |
| | | | | | 1663 |
| | | | | | 1690 |
| | | | | | 2028 |
| | | | | | GP-26 |
| | | | | | 1660 |
| | | | | | 1663 |
| | | | | | 1690 |
| | | | | | 2028 |
| | | | | | GP-26 |
| | | | | | 1660 |
| | | | | | 1663 |
| | | | | | 1690 |
| | | | | | 2028 |
| | | | | | GP-26 |
| | | | | | 1660 |
| | | | | | 1663 |
| | | | | | 1690 |
| | | | | | 2028 |
| | | | | | GP-26 |
| | | | | | 1660 |
| | | | | | 1663 |
| | | | | | 1690 |
| | | | | | 2028 |
| | | | | | GP-26 |
| | | | | | 1660 |
| | | | | | 1663 |
| | | | | | 1690 |
| | | | | | 2028 |
| | | | | | GP-26 |
| | | | | | 1660 |
| | | | | | 1663 |
| | | | | | 1690 |
| | | | | | 2028 |
| | | | | | GP-26 |
| | | | | | 1660 |
| | | | | | 1663 |
| | | | | | 1690 |
| | | | | | 2028 |
| | | | | | GP-26 |
| | | | | | 1660 |
| | | | | | 1663 |
| | | | | | 1690 |
| | | | | | 2028 |
| | | | | | GP-26 |
| | | | | | 1660 |
| | | | | | 1663 |
| | | | | | 1690 |
| | | | | | 2028 |
| | | | | | GP-26 |
| | | | | | 1660 |
| | | | | | 1663 |
| | | | | | 1690 |
| | | | | | 2028 |
| | | | | | GP-26 |
| | | | | | 1660 |
| | | | | | 1663 |
| | | | | | 1690 |
| | | | | | 2028 |
| | | | | | GP-26 |
| | | | | | 1660 |
| | | | | | 1663 |
| | | | | | 1690 |
| | | | | | 2028 |
| | | | | | GP-26 |
| | | | | | 1660 |
| | | | | | 1663 |
| | | | | | 1690 |
| | | | | | 2028 |
| | | | | | GP-26 |
| | | | | | 1660 |
| | | | | | 1663 |
| | | | | | 1690 |
| | | | | | 2028 |
| | | | | | GP-26 |
| | | | | | 1660 |
| | | | | | 1663 |
| | | | | | 1690 |
| | | | | | 2028 |
| | | | | | GP-26 |
| | | | | | 1660 |
| | | | | | 1663 |
| | | | | | |



REPAIR KITS COMPOSITION

| | | | | | | | | |
|---------------|---------------|---------------|---------------|---------------|---------------|---------------|---------------|-----|
| 3779-G | Ø16,8 | 3790-G | Ø17,5 | 3800-G | Ø22,2 | | | |
| 1245 | 1 SEAL | 32 | 1431 | 2 SEAL | 24 | | | |
| 1255 | 1 SEAL | 49 | 1582 | 2 BOOT | 251 | | | |
| 1694 | 1 SEAL | 32 | 795 | 1 BLEEDER CAP | 717 | | | |
| 80024 | 1 O-RING | 65 | 3791-G | Ø19 | 3801-G | Ø19 | | |
| 82004 | 1 WASHER | | 1410 | 2 SEAL | 24 | | | |
| 82050 | 1 WASHER | | 1546 | 2 BOOT | 233 | | | |
| 3781-G | Ø25,4 | 795 | 1 BLEEDER CAP | 717 | 1583 | 1 PIN BUSHING | 315 | |
| 1457 | 2 SEAL | 41 | 3792-G | Ø15,9 | 660 | 1 SEAL | 32 | |
| 734-A | 2 BOOT | 236 | 1243 | 2 SEAL | 31 | 795 | 1 BLEEDER CAP | 717 |
| 795 | 1 BLEEDER CAP | 717 | 1582 | 2 BOOT | 251 | 3803-G | Ø17,5 | |
| 3782-G | Ø20,6 | 795 | 1 BLEEDER CAP | 717 | 1420 | 2 SEAL | 11 | |
| 1672 | 1 SEAL | 39 | 3793-G | Ø17,5 | 747 | 2 BOOT | 203 | |
| 1716 | 1 SEAL | 34 | 1431 | 2 SEAL | 24 | 795 | 1 BLEEDER CAP | 717 |
| 1871 | 1 PIN BUSHING | 307 | 1546 | 2 BOOT | 233 | 3804-G | Ø17,5 | |
| 795 | 1 BLEEDER CAP | 717 | 795 | 1 BLEEDER CAP | 717 | 1431 | 2 SEAL | 24 |
| MLL-11 | 1 SPRING | | 3794-G | Ø22,2 | 728 | 2 BOOT | 214 | |
| PT-12 | 1 PISTON | | 1341 | 1 SEAL | 42 | 795 | 1 BLEEDER CAP | 717 |
| 3783-G | Ø17,5 | 1417 | 1 SEAL | 40 | 3805-G | Ø19 | | |
| 1431 | 2 SEAL | 24 | 1538 | 1 PIN BUSHING | 307 | 603 | 2 SEAL | 9 |
| 1546 | 2 BOOT | 233 | 795 | 1 BLEEDER CAP | 717 | 708 | 2 BOOT | 211 |
| 795 | 1 BLEEDER CAP | 717 | 3795-G | Ø22,2 | 795 | 1 BLEEDER CAP | 717 | |
| 3784-G | Ø25,4 | 1756 | 2 SEAL | 24 | 3806-G | Ø15,9 | | |
| 1878 | 2 BOOT | 204 | 2400 | 2 BOOT | 236 | 1361 | 1 SEAL | 40 |
| 2202 | 2 SEAL | 12 | 795 | 1 BLEEDER CAP | 717 | 1833 | 1 PIN BUSHING | 310 |
| 795 | 1 BLEEDER CAP | 717 | 3796-G | Ø31,8 | 795 | 1 BLEEDER CAP | 717 | |
| 3785-G | Ø28,6 | 1473 | 2 SEAL | 11 | 3807-G | Ø19 | | |
| 1847 | 2 BOOT | 235 | 1564 | 1 BOOT | 235 | 1565 | 1 PIN BUSHING | 302 |
| 612 | 2 SEAL | 9 | 1580 | 1 BOOT | 232 | 2569-R | 1 SEAL | 40 |
| 795 | 1 BLEEDER CAP | 717 | 795 | 1 BLEEDER CAP | 717 | 795 | 1 BLEEDER CAP | 717 |
| 3786-G | Ø20,6 | 3797-G | Ø33,3 | 3808-G | Ø23,8 | | | |
| 1217 | 1 SEAL | 24 | 1580 | 1 BOOT | 232 | 1494 | 1 SEAL | 36 |
| 1871 | 1 PIN BUSHING | 307 | 1727 | 1 SEAL | 11 | 1695 | 1 SEAL | 39 |
| 2121 | 1 SEAL | 45 | 1809 | 1 BOOT | 522 | 1871 | 1 PIN BUSHING | 307 |
| 795 | 1 BLEEDER CAP | 717 | 795 | 1 BLEEDER CAP | 717 | 795 | 1 BLEEDER CAP | 717 |
| 3787-G | Ø19 | 3798-G | Ø20,6 | 3809-G | Ø19 | | | |
| 1410 | 2 SEAL | 24 | 1418 | 1 SEAL | 40 | 1410 | 2 SEAL | 24 |
| 1582 | 2 BOOT | 251 | 1672 | 1 SEAL | 39 | 1525 | 2 BOOT | 209 |
| 795 | 1 BLEEDER CAP | 717 | 1871 | 1 PIN BUSHING | 307 | 795 | 1 BLEEDER CAP | 717 |
| 3788-G | Ø28,6 | 795 | 1 BLEEDER CAP | 717 | 3810-G | Ø17,5 | | |
| 1433 | 1 SEAL | 24 | 3799-G | Ø31,8 | 1431 | 2 SEAL | 24 | |
| 2030 | 1 BOOT | 244 | 1473 | 2 SEAL | 11 | 1525 | 2 BOOT | 209 |
| 795 | 1 BLEEDER CAP | 717 | 1847 | 2 BOOT | 235 | 795 | 1 BLEEDER CAP | 717 |
| 3789-G | Ø27 | 795 | 1 BLEEDER CAP | 717 | 3811-G | Ø23,8 | | |
| 1434 | 2 SEAL | 24 | 3800-G | Ø22,2 | 1458 | 2 SEAL | 40 | |
| 2030 | 2 BOOT | 244 | 1416 | 2 SEAL | 12 | 1843 | 2 BOOT | 218 |
| 795 | 1 BLEEDER CAP | 717 | 1800 | 1 BOOT | 232 | 795 | 2 BLEEDER CAP | 717 |
| | | | 1847 | 1 BOOT | 235 | | | |
| | | | 795 | 1 BLEEDER CAP | 717 | | | |



REPAIR KITS COMPOSITION



| | | | | | | | | |
|----------------|--------------------------|---------------|----------------|--------------------------|----------------|--------------------------|--------------------------|-----|
| 3812-G | Ø17,5 | 3822-G | Ø51 | 3828-G | Ø51 | | | |
| 1584 | 2 BOOT | 219 | 2314 | 2 PIN BUSHING | 608 | 2061 | 1 PIN BUSHING | 627 |
| 1728 | 2 SEAL | 32 | 1279 | 1 PISTON SEAL | 500 | 2270 | 1 PIN BUSHING | 620 |
| 795 | 1 BLEEDER CAP | 717 | 2252 | 1 PIN BUSHING | 627 | 2364 | 1 CAP | 731 |
| 3813-G | Ø25,4 | 2267 | 1 BOOT | 440 | 2374 | 1 BOOT | 414 | |
| 1562 | 1 BOOT | 219 | 795 | 1 BLEEDER CAP | 717 | 548-A | 1 SQUARE SECTION SEAL500 | |
| 1729 | 1 SEAL | 40 | RW-2925 | 1 RETAINING RING | 795 | 1 BLEEDER CAP | 717 | |
| 795 | 1 BLEEDER CAP | 717 | 3823-G | Ø54 | RW-2928 | 1 RETAINING RING | | |
| 3814-G | Ø23,8 | 2314 | 2 PIN BUSHING | 608 | 3829-G | Ø54 | | |
| 1730 | 2 SEAL | 12 | 2041 | 1 BOOT | 440 | 2321 | 2 BOOT | 422 |
| 2031 | 2 BOOT | 232 | 2252 | 1 PIN BUSHING | 627 | 549 | 2 SQUARE SECTION SEAL500 | |
| 795 | 1 BLEEDER CAP | 717 | 549 | 1 SQUARE SECTION SEAL500 | RW-2925 | 2 RETAINING RING | | |
| 3815-G | Ø28,6 | 795 | 1 BLEEDER CAP | 717 | 795 | 1 BLEEDER CAP | 717 | |
| 1731 | 2 SEAL | 24 | RW-2925 | 1 RETAINING RING | 80019 | 1 O-RING | 65 | |
| 2032 | 2 BOOT | 233 | 3824-G | Ø54 | 80025 | 1 O-RING | 65 | |
| 795 | 1 BLEEDER CAP | 717 | 2066 | 1 CALIPER BOOT | 416 | 80027 | 1 O-RING | 65 |
| 3816-G | Ø36 | 2215 | 1 PIN BUSHING | 627 | 3831-G | Ø38 | | |
| 1270 | 4 PISTON SEAL | 500 | 2272 | 1 BOOT | 236 | 1289 | 2 SQUARE SECTION SEAL501 | |
| 1555 | 4 CALIPER BOOT | 419 | 549-B | 1 SQUARE SECTION SEAL500 | 1905 | 2 PISTON SEAL | 500 | |
| RW-2922 | 4 RETAINING RING | 795 | 1 BLEEDER CAP | 717 | 2309 | 2 BOOT | 420 | |
| 795 | 3 BLEEDER CAP | 717 | RW-2927 | 1 RETAINING RING | RW-2921 | 2 RETAINING RING | | |
| 1932 | 2 SQUARE SECTION SEAL501 | 3825-G | Ø30 | 795 | 1 BLEEDER CAP | 717 | | |
| 3817-G | Ø38 | 1271 | 1 PISTON SEAL | 500 | 3832-G | Ø36 | | |
| 546-A | 4 SQUARE SECTION SEAL500 | 2057 | 1 PIN BUSHING | 605 | 1289 | 2 SQUARE SECTION SEAL501 | | |
| 8100 | 4 HARD CALIPER BOOT | 429 | 2058 | 1 PIN BUSHING | 610 | 1900 | 2 PISTON SEAL | 500 |
| 795 | 3 BLEEDER CAP | 717 | 2225 | 1 RETAINER SEAL | 728 | 2065 | 2 CALIPER BOOT | 429 |
| 1932 | 2 SQUARE SECTION SEAL501 | 2325 | 1 BOOT | 401 | 795 | 1 BLEEDER CAP | 717 | |
| 3818-G | Ø60 | 795 | 1 BLEEDER CAP | 717 | 3834-G | Ø51 | | |
| 1296 | 1 PISTON SEAL | 500 | 80023 | 1 O-RING | 65 | 1279 | 1 PISTON SEAL | 500 |
| 1512 | 1 CALIPER BOOT | 400 | 8170 | 1 PLASTIC CAP | 746 | 2374 | 1 BOOT | 414 |
| 795 | 1 BLEEDER CAP | 717 | 3826-G | Ø34 | 795 | 1 BLEEDER CAP | 717 | |
| 3819-G | Ø40 | 1295 | 1 PISTON SEAL | 500 | RW-2928 | 1 RETAINING RING | | |
| 1268 | 2 PISTON SEAL | 500 | 1529 | 1 CALIPER BOOT | 400 | 3836-G | Ø48 | |
| 2312 | 2 BOOT | 400 | 795 | 1 BLEEDER CAP | 717 | 2320 | 2 BOOT | 422 |
| 795 | 2 BLEEDER CAP | 717 | 80003 | 1 O-RING | 65 | 547 | 2 SQUARE SECTION SEAL500 | |
| 834 | 2 PIN BUSHING | 605 | 3827-G | Ø34 | 795 | 2 BLEEDER CAP | 717 | |
| 3820-G | Ø54 | 1295 | 2 PISTON SEAL | 500 | RW-2932 | 2 RETAINING RING | | |
| 2247 | 2 PIN BUSHING | 616 | 1297 | 2 PISTON SEAL | 500 | 3838-G | Ø43 | |
| 1524 | 1 CALIPER BOOT | 400 | 1559 | 2 CALIPER BOOT | 420 | 1297 | 4 PISTON SEAL | 500 |
| 549 | 1 SQUARE SECTION SEAL500 | 1817 | 2 BOOT | 420 | 1559 | 4 CALIPER BOOT | 420 | |
| 795 | 1 BLEEDER CAP | 717 | 1932 | 2 SQUARE SECTION SEAL501 | RW-2921 | 4 RETAINING RING | | |
| 3821-G | Ø57 | 2033 | 2 VALVE SEAT | 512 | 2033 | 2 VALVE SEAT | 512 | |
| 2352 | 2 PIN BUSHING | 604 | RW-2921 | 2 RETAINING RING | 795 | 1 BLEEDER CAP | 717 | |
| 1274 | 1 PISTON SEAL | 500 | RW-2930 | 2 RETAINING RING | | | | |
| 1861 | 1 CALIPER BOOT | 401 | 795 | 1 BLEEDER CAP | 717 | | | |
| 795 | 1 BLEEDER CAP | 717 | | | | | | |



REPAIR KITS COMPOSITION



| | | | | | | | | | |
|---------------|--------------------------|---------------|---------------|-----------------------|---------------|---------------|--------------------------|---------------|-----|
| 3839-G | Ø57 | 3847-G | Ø51 | 3858-G | Ø57 | | | | |
| 1885 | 2 PIN BUSHING | 604 | 690 | 1 BOOT | 510 | 1513 | 2 BOOT | 642 | |
| 1281 | 1 PISTON SEAL | 500 | 691 | 1 PISTON SEAL | 500 | 1272 | 1 PISTON SEAL | 500 | |
| 1873 | 1 CALIPER BOOT | 400 | 795 | 1 BLEEDER CAP | 717 | 1545 | 1 BOOT | 400 | |
| 2227 | 1 SEAL FOR GUIDE | 518 | RW-2901 | 1 BOOT PROTECTOR | | 2067 | 1 SEAL FOR GUIDE | 517 | |
| 795 | 1 BLEEDER CAP | 717 | | | | 795 | 1 BLEEDER CAP | 717 | |
| 3840-G | Ø51 | 3848-G | Ø22,2 | 3859-G | Ø48 | | | | |
| 2353 | 2 PIN BUSHING | 655 | 1722 | 3 SEAL | 42 | 1851 | 4 PIN BUSHING | 602 | |
| 1893 | 1 CALIPER BOOT | 415 | 1523 | 2 CONNECTION SEAL | 708 | 1823 | 1 CALIPER BOOT | 415 | |
| 548-A | 1 SQUARE SECTION SEAL500 | | 643 | 2 SEAL | 27 | 547 | 1 SQUARE SECTION SEAL500 | | |
| 795 | 1 BLEEDER CAP | 717 | 81017 | 2 SQUARE SECTION SEAL | 52 | 795 | 1 BLEEDER CAP | 717 | |
| RW-2928 | 1 RETAINING RING | | | | | RW-2933 | 1 RETAINING RING | | |
| 3841-G | Ø51 | 3849-G | Ø28,6 | 3860-G | Ø48 | | | | |
| 2025 | 2 CALIPER BOOT | 400 | 1438 | 2 SEAL | 40 | 2324 | 1 BOOT | 417 | |
| 548-A | 2 SQUARE SECTION SEAL500 | | C-797 | 2 BOOT | 214 | 547 | 1 SQUARE SECTION SEAL500 | | |
| 795 | 1 BLEEDER CAP | 717 | 795 | 1 BLEEDER CAP | 717 | 795 | 1 BLEEDER CAP | 717 | |
| 3842-G | Ø57 | 3851-G | Ø25,4 | 3864-G | Ø19 | | | | |
| 1274 | 1 PISTON SEAL | 500 | 1137 | 2 VALVE | 815 | 1610 | 2 SEAL | 54 | |
| 1861 | 1 CALIPER BOOT | 401 | 1358 | 2 SEAL | 54 | 1611 | 2 SEAL | 40 | |
| 795 | 1 BLEEDER CAP | 717 | 1485 | 2 SEAL | 36 | 1612 | 1 SEAL | 42 | |
| 3843-G | Ø32 | 3852-G | Ø27 | 2028 | 1 PIN BUSHING | 263 | | | |
| 1280 | 1 PISTON SEAL | 500 | 1621 | 2 SEAL | 36 | GP-21 | 1 SNAP RING | | |
| 1595 | 1 BOOT | 414 | 2044 | 2 VALVE (WITH SLOTS) | 805 | 3865-G | Ø28,6 | | |
| 1844 | 1 BOOT | 633 | 1622 | 1 SEAL | 24 | 1564 | 2 BOOT | 235 | |
| 2048 | 1 PIN BUSHING | 627 | 1623 | 1 SEAL | 54 | 612 | 2 SEAL | 9 | |
| 795 | 1 BLEEDER CAP | 717 | 2082 | 1 PIN BUSHING | 263 | 795 | 1 BLEEDER CAP | 717 | |
| RW-2989 | 1 RETAINING RING | | 2143 | 1 VALVE SEAT | 801 | 3866-G | Ø28,6 | | |
| 3844-G | Ø35 | 3853-G | Ø28,6 | 612 | 4 SEAL | 9 | | | |
| 1270 | 1 PISTON SEAL | 500 | 612 | 2 SEAL | 9 | 1580 | 2 BOOT | 232 | |
| 1595 | 1 BOOT | 414 | 1564 | 1 BOOT | 235 | 2034 | 2 BOOT | 245 | |
| 2047 | 1 BOOT | 633 | 1580 | 1 BOOT | 232 | 2106 | 2 VALVE SEAT | 800 | |
| 2048 | 1 PIN BUSHING | 627 | 795 | 1 BLEEDER CAP | 717 | 795 | 2 BLEEDER CAP | 717 | |
| 2211 | 1 RETAINER SEAL | 725 | 3856-G | Ø20,6 | 3867-G | Ø51 | | | |
| 795 | 1 BLEEDER CAP | 717 | 1538 | 1 PIN BUSHING | 307 | 1279 | 2 PISTON SEAL | 500 | |
| 80015 | 1 O-RING | 65 | 1613 | 1 SEAL | 40 | 1831 | 2 CALIPER BOOT | 418 | |
| RW-2989 | 1 RETAINING RING | | 1614 | 1 SEAL | 39 | RW-2926 | 2 RETAINING RING | | |
| 3845-G | Ø51 | 3857-G | Ø57 | 795 | 1 BLEEDER CAP | 717 | 795 | 1 BLEEDER CAP | 717 |
| 1851 | 4 PIN BUSHING | 602 | 1851 | 4 PIN BUSHING | 602 | 3868-G | Ø15,9 | | |
| 1823 | 1 CALIPER BOOT | 415 | 1274 | 1 PISTON SEAL | 500 | 1361 | 1 SEAL | 40 | |
| 548-A | 1 SQUARE SECTION SEAL500 | | 1802 | 1 CALIPER BOOT | 414 | 1362 | 1 SEAL | 19 | |
| 795 | 1 BLEEDER CAP | 717 | 795 | 1 BLEEDER CAP | 717 | 2087 | 1 PIN BUSHING | 317 | |
| RW-2933 | 1 RETAINING RING | | RW-2927 | 1 RETAINING RING | | 3869-G | Ø57 | | |
| 3846-G | Ø54 | | | | | 1272 | 1 PISTON SEAL | 500 | |
| 1804 | 2 CALIPER BOOT | 642 | | | | 1545 | 1 BOOT | 400 | |
| 2313 | 1 BOOT | 404 | | | | 795 | 1 BLEEDER CAP | 717 | |
| 549 | 1 SQUARE SECTION SEAL500 | | | | | | | | |
| 795 | 1 BLEEDER CAP | 717 | | | | | | | |



REPAIR KITS COMPOSITION

| | | | | | | | | |
|---------------|------------------|---------------|---------------|------------------|---------------|------------------|--------------------------|-----|
| 3870-G | Ø22,2 | 3880-G | Ø23,8 | 3890-G | Ø15,9 | | | |
| 1416 | 2 SEAL | 12 | 1494 | 1 SEAL | 36 | | | |
| C-796 | 2 BOOT | 204 | 1537 | 1 PIN BUSHING | 314 | | | |
| 795 | 1 BLEEDER CAP | 717 | 1695 | 1 SEAL | 39 | | | |
| 3871-G | Ø25,4 | 3881-G | Ø22,2 | 3891-G | Ø22,2 | | | |
| 2202 | 4 SEAL | 12 | 1387 | 1 SEAL | 40 | | | |
| 1564 | 2 BOOT | 235 | 1537 | 1 PIN BUSHING | 314 | | | |
| 1580 | 2 BOOT | 232 | 795 | 1 BLEEDER CAP | 717 | | | |
| 795 | 2 BLEEDER CAP | 717 | 3883-G | Ø31,8 | 3891-G | Ø22,2 | | |
| 3872-G | Ø25,4 | 3883-G | Ø31,8 | 795 | 1 BLEEDER CAP | 717 | | |
| 2202 | 4 SEAL | 12 | 1473 | 1 SEAL | 11 | | | |
| 1800 | 2 BOOT | 232 | 1800 | 1 BOOT | 232 | | | |
| 1847 | 2 BOOT | 235 | 1847 | 1 BOOT | 235 | | | |
| 795 | 2 BLEEDER CAP | 717 | 795 | 1 BLEEDER CAP | 717 | | | |
| 3873-G | Ø19 | 3884-G | Ø20,6 | GP-24 | 1 SNAP RING | 3892-G | Ø60 | |
| 1414 | 2 SEAL | 11 | 1670 | 2 SEAL | 54 | 1269 | 1 PISTON SEAL | 500 |
| 704 | 2 BOOT | 212 | 1672 | 2 SEAL | 39 | 1512 | 1 CALIPER BOOT | 400 |
| 795 | 1 BLEEDER CAP | 717 | 2090 | 1 PIN BUSHING | 264 | 795 | 1 BLEEDER CAP | 717 |
| 3874-G | Ø22,2 | 2121 | 1 SEAL | 45 | 3893-G | Ø15,9 | | |
| 1443 | 1 SEAL | 54 | GP-24 | 1 SNAP RING | 1243 | 1 SEAL | 31 | |
| 1620 | 1 SEAL | 39 | 3885-G | Ø22,2 | 1396 | 1 VALVE SEAT | 802 | |
| 2235 | 1 SEAL | 712 | 1443 | 2 SEAL | 54 | 1626 | 1 SEAL | 41 |
| GP-1003 | 1 SNAP RING | | 1620 | 1 SEAL | 39 | 3895-G | Ø17,5 | |
| GP-26 | 1 SNAP RING | | 1638 | 1 SEAL | 39 | 1496 | 2 SEAL | 11 |
| 3875-G | Ø20,6 | 3886-G | Ø27 | GP-28 | 1 SNAP RING | 728 | 2 BOOT | 214 |
| 1413 | 2 SEAL | 11 | 1623 | 1 SEAL | 54 | 795 | 1 BLEEDER CAP | 717 |
| 704 | 2 BOOT | 212 | 647 | 1 SEAL | 49 | 3897-G | Ø48 | |
| 795 | 1 BLEEDER CAP | 717 | GP-35 | 1 SNAP RING | | 1823 | 1 CALIPER BOOT | 415 |
| 3876-G | Ø19 | 3887-G | Ø20,6 | 3898-G | Ø45 | 547 | 1 SQUARE SECTION SEAL500 | |
| 1356 | 1 SEAL | 39 | 1670 | 2 SEAL | 54 | 795 | 1 BLEEDER CAP | 717 |
| 1665 | 1 SEAL | 39 | 1672 | 1 SEAL | 39 | RW-2933 | 1 RETAINING RING | |
| 1871 | 1 PIN BUSHING | 307 | 2028 | 1 PIN BUSHING | 263 | 3898-G | Ø45 | |
| 795 | 1 BLEEDER CAP | 717 | 2121 | 1 SEAL | 45 | 2059 | 4 CALIPER BOOT | 614 |
| 3877-G | Ø60 | GP-24 | 1 SNAP RING | 3888-G | Ø36 | 1298 | 1 PISTON SEAL | 500 |
| 1265 | 1 PISTON SEAL | 500 | 3888-G | Ø36 | 1270 | 1 PISTON SEAL | 500 | |
| 1512 | 1 CALIPER BOOT | 400 | 1270 | 1 PISTON SEAL | 500 | 1885 | 2 PIN BUSHING | 604 |
| 795 | 1 BLEEDER CAP | 717 | 1876 | 1 CALIPER BOOT | 414 | 2045 | 2 CALIPER BOOT | 400 |
| 3878-G | Ø60 | 2061 | 1 PIN BUSHING | 627 | 795 | 2 BLEEDER CAP | 717 | |
| 1265 | 1 PISTON SEAL | 500 | 2211 | 1 RETAINER SEAL | 725 | 2227 | 1 SEAL FOR GUIDE | 518 |
| 1802 | 1 CALIPER BOOT | 414 | 2270 | 1 PIN BUSHING | 620 | 3900-G | Ø43 | |
| 795 | 1 BLEEDER CAP | 717 | 2364 | 1 CAP | 731 | 1297 | 2 PISTON SEAL | 500 |
| RW-2927 | 1 RETAINING RING | | 795 | 1 BLEEDER CAP | 717 | 1885 | 2 PIN BUSHING | 604 |
| 3879-G | Ø19 | 80015 | 1 O-RING | 65 | 2045 | 2 CALIPER BOOT | 400 | |
| 1356 | 1 SEAL | 39 | RW-2974 | 1 RETAINING RING | 795 | 2 BLEEDER CAP | 717 | |
| 1651 | 1 VALVE SEAT | 802 | 3889-G | Ø15,9 | 2227 | 1 SEAL FOR GUIDE | 518 | |
| 1665 | 1 SEAL | 39 | 1584 | 2 BOOT | 219 | 3901-G | Ø54 | |
| GP-22 | 1 SNAP RING | | 2119 | 2 SEAL | 37 | 2027 | 1 CALIPER BOOT | 414 |
| | | | 795 | 1 BLEEDER CAP | 717 | 2248 | 1 PIN BUSHING | 616 |
| | | | | | | 2273 | 1 PIN BUSHING | 630 |
| | | | | | | 549 | 1 SQUARE SECTION SEAL500 | |
| | | | | | | 795 | 1 BLEEDER CAP | 717 |
| | | | | | | RW-2933 | 1 RETAINING RING | |



REPAIR KITS COMPOSITION



| | | | | | | |
|---------------|-------------------------|---------------|---------------|-------------------|--------------|----|
| 3937-G | Ø20,6 | 3950-G | Ø20,6 | 3958-G | Ø20,6 | |
| 1363 | 2 SEAL | 54 | 1259 | 2 SEAL | 27 | |
| 1471 | 2 SEAL | 32 | 791-A | 2 CONNECTION SEAL | 707 | |
| 2044 | 2 VALVE (WITH SLOTS) | 805 | 82021 | 2 WASHER | | |
| 1614 | 1 SEAL | 39 | 1260 | 1 SEAL | 20 | |
| 1762 | 1 VALVE (WITHOUT SLOTS) | 805 | 1392 | 1 SEAL | 19 | |
| 80004 | 1 O-RING | 65 | | | | |
| 3938-G | Ø17,5 | 3951-G | Ø19 | 3959-G | Ø19 | |
| 1310 | 2 SEAL | 32 | 1394 | 1 SEAL | 19 | |
| 1390 | 2 SEAL | 54 | 1582 | 1 BOOT | 251 | |
| 1762 | 2 VALVE (WITHOUT SLOTS) | 805 | 576 | 1 SEAL | 27 | |
| 795 | 2 BLEEDER CAP | 717 | | | | |
| 1451 | 1 SEAL | 14 | 3952-G | Ø19 | | |
| 2297 | 1 BOOT | 256 | 657 | 4 SEAL | 32 | |
| 80004 | 1 O-RING | 65 | 1871 | 1 PIN BUSHING | 307 | |
| GP-24 | 1 SNAP RING | | 640 | 1 SEAL | 49 | |
| 3939-G | Ø23,8 | 3953-G | Ø20,6 | 3960-G | Ø20,6 | |
| 1494 | 2 SEAL | 36 | 1223 | 3 SEAL | 45 | |
| 1242 | 1 SEAL | 54 | 1224 | 2 SEAL | 52 | |
| 1491 | 1 SEAL | 29 | C-715 | 1 O-RING | 504 | |
| 1762 | 1 VALVE (WITHOUT SLOTS) | 805 | 3954-G | Ø20,6 | | |
| 2044 | 1 VALVE (WITH SLOTS) | 805 | 1670 | 2 SEAL | 54 | |
| 2168 | 1 SEAL | 54 | 791-E | 2 CONNECTION SEAL | 710 | |
| 80004 | 1 O-RING | 65 | 80000 | 2 O-RING | 65 | |
| GP-32 | 1 SNAP RING | | 80002 | 2 O-RING | 65 | |
| 3940-G | Ø54 | 3955-G | Ø19 | 3961-G | Ø25,4 | |
| 1577 | 1 CALIPER BOOT | 433 | 1260 | 1 SEAL | 20 | |
| 1887 | 1 PIN BUSHING | 630 | 1392 | 1 SEAL | 19 | |
| 2086 | 1 PIN BUSHING | 617 | 2137 | 1 SEAL | 14 | |
| 549 | 1 SQUARE SECTION SEAL | 500 | 2291 | 1 BOOT | 253 | |
| 795 | 1 BLEEDER CAP | 717 | 2292 | 1 SEAL | 700 | |
| | | | 80035 | 1 O-RING | 65 | |
| 3944-G | Ø23,8 | 3956-G | Ø15,9 | 3962-G | Ø31,8 | |
| 1245 | 2 SEAL | 32 | 2329 | 1 PIN BUSHING | 308 | |
| 82050 | 2 WASHER | | 550-C | 1 SEAL | 10 | |
| 1326 | 1 SEAL | 59 | 640 | 1 SEAL | 49 | |
| 1721 | 1 SEAL | 42 | | | | |
| 1879 | 1 CONNECTION SEAL | 713 | 3957-G | Ø23,8 | | |
| 791 | 1 CONNECTION SEAL | 702 | 1244 | 2 SEAL | 32 | |
| 80049 | 1 O-RING | 65 | 82050 | 2 WASHER | | |
| 3945-G | Ø32 | 3958-G | Ø20,6 | 1255 | 1 SEAL | 49 |
| 1916 | 1 PISTON SEAL | 500 | 1392 | 1 SEAL | 58 | |
| 2323 | 1 BOOT | 417 | | | | |
| 795 | 1 BLEEDER CAP | 717 | | | | |
| 3947-G | Ø25,4 | | | | | |
| 2101 | 4 SEAL | 27 | | | | |
| 82061 | 2 WASHER | | | | | |
| 1302 | 1 SEAL | 58 | | | | |
| GP-28 | 1 SNAP RING | | | | | |



REPAIR KITS COMPOSITION

| | | | | | | | | |
|----------------------------|----------------------|---------------|----------------------------|-------------------|------------|----------------------------|-------------------|-----|
| 3991-G | Ø22,2 | 3998-G | Ø42,8 | 4105-G | Ø27 | | | |
| 1619 | 2 SEAL | 54 | 1851 | 4 PIN BUSHING | 602 | 1745 | 3 SEAL | 82 |
| 2085 | 2 CONNECTION SEAL | 703 | 1297 | 1 PISTON SEAL | 500 | 1507 | 2 CONNECTION SEAL | 707 |
| 1662 | 1 SEAL | 75 | 2045 | 1 CALIPER BOOT | 400 | 647 | 1 SEAL | 49 |
| 1691 | 1 SEAL | 21 | 795 | 1 BLEEDER CAP | 717 | 4106-G Ø20,6 | | |
| 2476 | 1 O-RING | 504 | 3999-G Ø19 | | | 1670 | 2 SEAL | 54 |
| 2583-R | 1 SEAL | 27 | 1410 | 1 SEAL | 24 | 82021 | 2 WASHER | |
| 80063.70 | 1 O-RING | 65 | 2126 | 1 SEAL | 54 | 1453 | 1 SEAL | 24 |
| GP-35 | 1 SNAP RING | | 823 | 1 BOOT | 254 | 1614 | 1 SEAL | 39 |
| 3992-G Ø25,4 | | | GP-24 | 1 SNAP RING | | 2078 | 1 PIN BUSHING | 263 |
| 1816 | 2 CONNECTION SEAL | 704 | 4100-G Ø22,2 | | | GP-23 | 1 SNAP RING | |
| 649 | 2 SEAL | 27 | 1226 | 2 SEAL | 32 | 4107-G Ø20,6 | | |
| 82061 | 2 WASHER | | 1649 | 2 SEAL | 54 | 1307 | 2 VALVE SEAT | 811 |
| 1365 | 1 SEAL | 29 | 82044 | 2 WASHER | | 1391 | 2 SEAL | 54 |
| 1641 | 1 SEAL | 29 | 1632 | 1 SEAL | 14 | 1453 | 2 SEAL | 24 |
| GP-27 | 1 SNAP RING | | 4101-G Ø22,2 | | | 82021 | 2 WASHER | |
| 3993-G Ø25,4 | | | 1304 | 2 SEAL | 38 | 1450 | 1 SEAL | 14 |
| 2113 | 2 SEAL | 32 | 1816 | 2 CONNECTION SEAL | 704 | 80000 | 1 O-RING | 65 |
| 2125 | 2 SEAL | 54 | 82044 | 2 WASHER | | GP-22 | 1 SNAP RING | |
| 82047 | 2 WASHER | | 1337 | 1 SEAL | 28 | 4108-G Ø22,2 | | |
| GP-28 | 1 SNAP RING | | 1644 | 1 SEAL | 64 | 1235 | 4 SEAL | 27 |
| 3994-G Ø25,4 | | | 694 | 1 PISTON SEAL | 500 | 1225 | 2 SEAL | 56 |
| 2113 | 3 SEAL | 32 | GP-35 | 1 SNAP RING | | 791-A | 2 CONNECTION SEAL | 707 |
| 1383 | 2 VALVE SEAT | 812 | 4102-G Ø22,2 | | | 82044 | 2 WASHER | |
| 2125 | 2 SEAL | 54 | 1816 | 2 CONNECTION SEAL | 704 | 82092 | 1 PLASTIC WASHER | |
| 744 | 1 BOOT | 255 | 643 | 2 SEAL | 27 | GP-25 | 1 SNAP RING | |
| GP-30 | 1 SNAP RING | | 82044 | 2 WASHER | | 4109-G Ø20,6 | | |
| 3995-G Ø25,4 | | | 1367 | 1 SEAL | 38 | 639-A | 3 SEAL | 49 |
| 667 | 3 SEAL | 22 | 1646 | 1 SEAL | 59 | 559 | 2 SEAL | 27 |
| 1307 | 2 VALVE SEAT | 811 | 694 | 1 PISTON SEAL | 500 | 791-A | 2 CONNECTION SEAL | 707 |
| 1383 | 2 VALVE SEAT | 812 | 80056 | 1 O-RING | 65 | 82038 | 2 WASHER | |
| 2125 | 2 SEAL | 54 | GP-35 | 1 SNAP RING | | 80005 | 1 O-RING | 65 |
| 3996-G Ø25,4 | | | 4103-G Ø25,4 | | | 4110-G Ø19 | | |
| 2113 | 3 SEAL | 32 | 2567-R | 2 SEAL | 54 | 1359 | 2 SEAL | 24 |
| 1307 | 2 VALVE SEAT | 811 | 82055 | 2 WASHER | | 2124 | 2 SEAL | 54 |
| 2125 | 2 SEAL | 54 | 1692 | 1 SEAL | 29 | 82008 | 2 WASHER | |
| 82047 | 2 WASHER | | 2028 | 1 PIN BUSHING | 263 | 80005 | 1 O-RING | 65 |
| GP-28 | 1 SNAP RING | | 2105 | 1 VALVE SEAT | 801 | 821 | 1 BOOT | 254 |
| 3997-G Ø17,5 | | | 2123 | 1 SEAL | 27 | GP-24 | 1 SNAP RING | |
| 1390 | 2 SEAL | 54 | 2123.70 | 1 SEAL | 27 | 4111-G Ø28,6 | | |
| 1493 | 2 SEAL | 31 | GP-28 | 1 SNAP RING | | 1634 | 2 SEAL | 54 |
| 2044 | 2 VALVE (WITH SLOTS) | 805 | 4104-G Ø28,6 | | | 2114 | 1 SEAL | 32 |
| 1451 | 1 SEAL | 14 | 2130 | 3 SEAL | 82 | 2117 | 1 SEAL | 29 |
| 2243 | 1 BOOT | 250 | 1507 | 2 CONNECTION SEAL | 707 | GP-32 | 1 SNAP RING | |
| | | | 1222 | 1 SEAL | 49 | | | |



REPAIR KITS COMPOSITION

| | | | | | | | | |
|---------------|-------------------|---------------|---------------|-----------------------|--------------|---------------|-------------------|-----|
| 4112-G | Ø20,6 | 4120-G | Ø25,4 | 4127-G | Ø25,4 | | | |
| 1217 | 1 SEAL | 24 | 649 | 2 SEAL | 27 | 1486 | 2 SEAL | 54 |
| 1396 | 1 VALVE SEAT | 802 | 791 | 2 CONNECTION SEAL | 702 | 2122 | 2 SEAL | 27 |
| 2111 | 1 SEAL | 32 | 82061 | 2 WASHER | | 82055 | 2 WASHER | |
| 895 | 1 BOOT | 217 | 1326 | 1 SEAL | 59 | GP-1006 | 2 SNAP RING | |
| GP-24 | 1 SNAP RING | | 1723 | 1 SEAL | 42 | 1742 | 1 SEAL | 39 |
| 4113-G | Ø20,6 | 4121-G | Ø25,4 | 4128-G | Ø17,5 | | | |
| 1217 | 1 SEAL | 24 | 1486 | 2 SEAL | 54 | 19 | 1 VALVE SEAT | 801 |
| 1396 | 1 VALVE SEAT | 802 | 2044 | 2 VALVE (WITH SLOTS) | 805 | 2115 | 1 SEAL | 42 |
| 2111 | 1 SEAL | 32 | GP-1006 | 2 SNAP RING | | 4129-G | Ø20,6 | |
| 704 | 1 BOOT | 212 | 1357 | 1 SEAL | 45 | 1224 | 2 SEAL | 52 |
| GP-24 | 1 SNAP RING | | 2122 | 1 SEAL | 27 | 2293 | 2 CONNECTION SEAL | 702 |
| 4114-G | Ø22,2 | 4122-G | Ø19 | 4130-G | Ø20,6 | | | |
| 1389 | 1 SEAL | 18 | 1521 | 1 CONNECTION SEAL | 705 | 1234 | 2 SEAL | 32 |
| 1396 | 1 VALVE SEAT | 802 | 1704 | 1 SEAL | 28 | 82042 | 2 WASHER | |
| 1417 | 1 SEAL | 40 | 2129 | 1 SEAL | 70 | 1657 | 1 SEAL | 59 |
| 824 | 1 BOOT | 255 | 80004 | 1 O-RING | 65 | 633 | 1 SEAL | 42 |
| GP-24 | 1 SNAP RING | | 807 | 1 PIN BUSHING | 301 | 80059 | 1 O-RING | 65 |
| 4115-G | Ø19 | 4123-G | Ø25,4 | 4131-G | Ø23,8 | | | |
| 1305 | 1 SEAL | 52 | 1130 | 1 VALVE | 810 | 1681 | 3 SEAL | 82 |
| 1653 | 1 SEAL | 66 | 2113 | 1 SEAL | 32 | 791-A | 2 CONNECTION SEAL | 707 |
| 1654 | 1 SEAL | 52 | 542 | 1 SQUARE SECTION SEAL | 501 | 1680 | 1 SEAL | 59 |
| 1659 | 1 SEAL | 40 | 560 | 1 SEAL | 1 | 694 | 1 PISTON SEAL | 500 |
| 4116-G | Ø25,4 | 4124-G | Ø20,6 | 4132-G | Ø23,8 | | | |
| 2171 | 2 SEAL | 54 | 1363 | 2 SEAL | 54 | 1245 | 2 SEAL | 32 |
| 82055 | 2 WASHER | | 1471 | 2 SEAL | 32 | 791-A | 2 CONNECTION SEAL | 707 |
| 1686 | 1 SEAL | 59 | 2044 | 1 VALVE (WITH SLOTS) | 805 | 1640 | 1 SEAL | 38 |
| 2123 | 1 SEAL | 27 | 639-B | 1 SEAL | 51 | 1646 | 1 SEAL | 59 |
| 2123.70 | 1 SEAL | 27 | 80003 | 1 O-RING | 65 | 694 | 1 PISTON SEAL | 500 |
| 2339 | 1 BOOT | 262 | 4125-G | Ø15,9 | 80056 | 1 O-RING | 65 | |
| 80052 | 1 O-RING | 65 | 1624 | 2 SEAL | 32 | GP-35 | 1 SNAP RING | |
| GP-32 | 1 SNAP RING | | 1891 | 1 BOOT | 252 | 4133-G | Ø20,6 | |
| 4117-G | Ø19 | 4126-G | Ø15,9 | 559 | 2 SEAL | 27 | | |
| 1610 | 2 SEAL | 54 | 1582 | 1 BOOT | 251 | 791-A | 2 CONNECTION SEAL | 707 |
| 1611 | 2 SEAL | 40 | 1624 | 1 SEAL | 32 | 82038 | 2 WASHER | |
| 82017 | 2 WASHER | | 1675 | 1 SEAL | 54 | 1230 | 1 SEAL | 42 |
| GP-1006 | 2 SNAP RING | | GP-1004 | 1 SNAP RING | | 1646 | 1 SEAL | 59 |
| 2028 | 1 PIN BUSHING | 263 | | | | 694 | 1 PISTON SEAL | 500 |
| 2120 | 1 SEAL | 37 | | | | 80056 | 1 O-RING | 65 |
| GP-22 | 1 SNAP RING | | | | | GP-35 | 1 SNAP RING | |
| 4119-G | Ø25,4 | | | | | | | |
| 1445 | 2 SEAL | 45 | | | | | | |
| 1816 | 2 CONNECTION SEAL | 704 | | | | | | |
| 82055 | 2 WASHER | | | | | | | |
| 1644 | 1 SEAL | 64 | | | | | | |
| 1726 | 1 SEAL | 28 | | | | | | |
| 694 | 1 PISTON SEAL | 500 | | | | | | |
| GP-35 | 1 SNAP RING | | | | | | | |
| TR-2 | 1 SCREW | | | | | | | |



REPAIR KITS COMPOSITION

| | | | | | | |
|---------------|-------------------|----------------|---------------|-------------------|---------------|---------------|
| 4134-G | Ø25,4 | 4142-G | Ø15,9 | 4152-G | Ø20,6 | |
| 1365 | 2 SEAL | 29 | 1330 | 1 SEAL | 54 | |
| 2125 | 2 SEAL | 54 | 1618 | 1 SEAL | 39 | |
| GP-28 | 1 SNAP RING | | 80087 | 1 O-RING | 65 | |
| 4135-G | Ø22,2 | 8114 | 1 BOOT | 256 | 4153-G | Ø19 |
| 1443 | 2 SEAL | 54 | GP-22 | 1 SNAP RING | | |
| 2290 | 2 CONNECTION SEAL | 703 | 4143-G | Ø22,2 | 640 | 2 SEAL |
| 2131 | 1 SEAL | 13 | 643 | 2 SEAL | 27 | |
| 2136 | 1 SEAL | 27 | 791-A | 2 CONNECTION SEAL | 707 | |
| GP-24 | 1 SNAP RING | | 82046 | 2 WASHER | | |
| 4136-G | Ø23,8 | 1367 | 1 SEAL | 38 | 4154-G | Ø19 |
| 1244 | 2 SEAL | 32 | 1646 | 1 SEAL | 59 | |
| 791 | 2 CONNECTION SEAL | 702 | 694 | 1 PISTON SEAL | 500 | |
| 82050 | 2 WASHER | | 80056 | 1 O-RING | 65 | |
| 1657 | 1 SEAL | 59 | GP-35 | 1 SNAP RING | | |
| 1721 | 1 SEAL | 42 | 4144-G | Ø31,8 | 1255 | 1 SEAL |
| 694 | 1 PISTON SEAL | 500 | 1325 | 2 SEAL | 49 | |
| GP-28 | 1 SNAP RING | | 2134 | 2 SEAL | 82 | |
| 4137-G | Ø25,4 | GP-1011 | 1 SNAP RING | | 4155-G | Ø23,8 |
| 649 | 2 SEAL | 27 | GP-34 | 1 SNAP RING | | |
| 791 | 2 CONNECTION SEAL | 702 | 4145-G | Ø25,4 | 2316 | 1 PIN BUSHING |
| 1326-A | 1 SEAL | 59 | 540 | 1 SEAL | 505 | |
| 1723 | 1 SEAL | 42 | 646 | 1 SEAL | 49 | |
| 80059 | 1 O-RING | 65 | 812 | 1 PIN BUSHING | 301 | |
| 80065.70 | 1 O-RING | 65 | GP-28 | 1 SNAP RING | | |
| GP-36 | 1 SNAP RING | | 4146-G | Ø31,8 | 4156-G | Ø22,2 |
| 4138-G | Ø22,2 | 1325 | 1 SEAL | 49 | 608 | 2 SEAL |
| 1608 | 2 SEAL | 54 | 544 | 1 SEAL | 505 | |
| 2290 | 2 CONNECTION SEAL | 703 | 812 | 1 PIN BUSHING | 301 | |
| 2131 | 1 SEAL | 13 | GP-34 | 1 SNAP RING | | |
| 2136 | 1 SEAL | 27 | 4147-G | Ø15,9 | 4157-G | Ø23,8 |
| GP-23 | 1 SNAP RING | | 1396 | 1 VALVE SEAT | 802 | |
| 4139-G | Ø23,8 | 1626 | 1 SEAL | 41 | 4158-G | Ø38,1 |
| 2168 | 3 SEAL | 54 | 4148-G | Ø19 | 1424 | 2 SEAL |
| 2288 | 2 CONNECTION SEAL | 703 | 1521 | 1 CONNECTION SEAL | 705 | |
| 82043 | 2 WASHER | | 1704 | 1 SEAL | 28 | |
| 2132 | 1 SEAL | 70 | 2135 | 1 SEAL | 14 | |
| GP-25 | 1 SNAP RING | | 808 | 1 PIN BUSHING | 301 | |
| 4140-G | Ø25,4 | 4149-G | Ø17,5 | 4159-G | Ø22,2 | |
| 1609 | 2 SEAL | 52 | 1862 | 2 BOOT | 216 | |
| 2133 | 1 SEAL | 32 | 602 | 2 SEAL | 9 | |
| 80039 | 1 O-RING | 65 | 795 | 1 BLEEDER CAP | 717 | |
| GP-26 | 1 SNAP RING | | 4150-G | Ø19 | 4160-G | Ø25,4 |
| 4141-G | Ø19 | 640 | 2 SEAL | 49 | 1357 | 2 SEAL |
| 1704 | 1 SEAL | 28 | 706 | 2 BOOT | 211 | |
| 2135 | 1 SEAL | 14 | 795 | 1 BLEEDER CAP | 717 | |
| 2289 | 1 PIN BUSHING | 316 | | | 4161-G | Ø22,2 |
| | | | | | 1387 | 1 SEAL |
| | | | | | 1854 | 1 BOOT |
| | | | | | 795 | 1 BLEEDER CAP |
| | | | | | 4162-G | Ø28,6 |
| | | | | | 1800 | 1 BOOT |
| | | | | | 2233 | 1 BOOT |
| | | | | | 612 | 1 SEAL |
| | | | | | 795 | 1 BLEEDER CAP |



REPAIR KITS COMPOSITION

| | | | | | |
|---------------|---------------|---------------|---------------|---------------|--------------|
| 4195-G | Ø28,6 | 4206-G | Ø31,8 | 4218-G | Ø22,2 |
| 1433 | 2 SEAL | 24 | 1473 | 2 SEAL | 11 |
| 1596 | 2 BOOT | 244 | 779 | 2 BOOT | 211 |
| 795 | 1 BLEEDER CAP | 717 | 795 | 1 BLEEDER CAP | 717 |
| 4196-G | Ø22,2 | 4207-G | Ø17,5 | 4219-G | Ø25,4 |
| 1428 | 4 SEAL | 41 | 1757 | 2 SEAL | 32 |
| 1596 | 4 BOOT | 244 | 709 | 2 BOOT | 214 |
| 795 | 2 BLEEDER CAP | 717 | 795 | 1 BLEEDER CAP | 717 |
| 4197-G | Ø30 | 4208-G | Ø17,5 | 4220-G | Ø17,5 |
| 1468 | 4 SEAL | 41 | 1757 | 2 SEAL | 32 |
| 1596 | 4 BOOT | 244 | 703 | 2 BOOT | 200 |
| 795 | 2 BLEEDER CAP | 717 | 795 | 1 BLEEDER CAP | 717 |
| 4198-G | Ø30 | 4209-G | Ø22,2 | 4221-G | Ø28,6 |
| 1468 | 2 SEAL | 41 | 1756 | 2 SEAL | 24 |
| 2242 | 2 BOOT | 242 | 2285 | 2 BOOT | 246 |
| 795 | 1 BLEEDER CAP | 717 | 795 | 1 BLEEDER CAP | 717 |
| 4199-G | Ø30 | 4210-G | Ø20,6 | 4222-G | Ø28,6 |
| 1468 | 4 SEAL | 41 | 1217 | 2 SEAL | 24 |
| 2242 | 4 BOOT | 242 | 2285 | 2 BOOT | 246 |
| 795 | 2 BLEEDER CAP | 717 | 795 | 1 BLEEDER CAP | 717 |
| 4200-G | Ø25,4 | 4211-G | Ø20,6 | 4223-G | Ø31,8 |
| 1480 | 2 SEAL | 41 | 639-A | 2 SEAL | 49 |
| 1596 | 2 BOOT | 244 | 705 | 2 BOOT | 203 |
| 795 | 1 BLEEDER CAP | 717 | 795 | 1 BLEEDER CAP | 717 |
| 4201-G | Ø27 | 4212-G | Ø22,2 | 4224-G | Ø28,6 |
| 1438 | 2 SEAL | 40 | 641-A | 2 SEAL | 49 |
| 1596 | 2 BOOT | 244 | 705 | 2 BOOT | 203 |
| 795 | 1 BLEEDER CAP | 717 | 795 | 1 BLEEDER CAP | 717 |
| 4202-G | Ø25,4 | 4213-G | Ø25,4 | 4225-G | Ø31,8 |
| 1480 | 2 SEAL | 41 | 646 | 2 SEAL | 49 |
| 711 | 2 BOOT | 214 | 705 | 2 BOOT | 203 |
| 795 | 1 BLEEDER CAP | 717 | 795 | 1 BLEEDER CAP | 717 |
| 4203-G | Ø15,9 | 4215-G | Ø19 | 4226-G | Ø19 |
| 1243 | 2 SEAL | 31 | 2116 | 2 SEAL | 42 |
| 1563 | 2 BOOT | 241 | 734 | 2 BOOT | 236 |
| 795 | 1 BLEEDER CAP | 717 | 795 | 1 BLEEDER CAP | 717 |
| 4204-G | Ø20,6 | 4216-G | Ø17,5 | 4227-G | Ø28,6 |
| 1717 | 1 SEAL | 28 | 1420 | 2 SEAL | 11 |
| 795 | 1 BLEEDER CAP | 717 | 1581 | 2 BOOT | 204 |
| 898 | 1 PIN BUSHING | 320 | 795 | 1 BLEEDER CAP | 717 |
| GP-1007 | 1 SNAP RING | | 4217-G | Ø20,6 | |
| 4205-G | Ø31,8 | 1453 | 2 SEAL | 24 | |
| 1753 | 1 SEAL | 40 | 734 | 2 BOOT | 236 |
| 779 | 1 BOOT | 211 | 795 | 1 BLEEDER CAP | 717 |
| 795 | 1 BLEEDER CAP | 717 | | | |



REPAIR KITS COMPOSITION

| | | | | | |
|---------------|-----------------------|---------------|---------------|-----------------------|------------|
| 4259-G | Ø42 | 4266-G | Ø60 | 4273-G | Ø42 |
| 694.70 | 4 PISTON SEAL | 500 | 2269 | 4 PIN BUSHING | 602 |
| 695.70 | 4 BOOT | 510 | 1269 | 1 PISTON SEAL | 500 |
| 798.70 | 2 SQUARE SECTION SEAL | 502 | 2274 | 1 BOOT | 414 |
| 80044.70 | 2 O-RING | 65 | 795 | 1 BLEEDER CAP | 717 |
| 795 | 1 BLEEDER CAP | 717 | RW-2927 | 1 RETAINING RING | |
| 4260-G | Ø57 | 4267-G | Ø32 | 4274-G | Ø54 |
| 2043 | 2 PIN BUSHING | 620 | 1513 | 2 BOOT | 642 |
| 1272 | 1 PISTON SEAL | 500 | 1916 | 1 PISTON SEAL | 500 |
| 1889 | 1 CALIPER BOOT | 414 | 2275 | 1 BOOT | 404 |
| 2351 | 1 SEAL FOR GUIDE | 519 | 795 | 1 BLEEDER CAP | 717 |
| 795 | 1 BLEEDER CAP | 717 | 4268-G | Ø42 | |
| RW-2927 | 1 RETAINING RING | | 1297 | 2 PISTON SEAL | 500 |
| 4261-G | Ø30 | | 2095 | 2 HARD CALIPER BOOT | 433 |
| 1271 | 1 PISTON SEAL | 500 | 2426 | 2 PLASTIC CAP | 714 |
| 1870 | 1 CALIPER BOOT | 401 | 2212 | 1 PIN BUSHING | 625 |
| 795 | 1 BLEEDER CAP | 717 | 2382 | 1 PIN BUSHING | 629 |
| 4262-G | Ø54 | | 2384 | 1 PIN BUSHING | 628 |
| 2278 | 1 BOOT | 402 | 795 | 1 BLEEDER CAP | 717 |
| 549 | 1 SQUARE SECTION SEAL | 500 | 4269-G | Ø48 | |
| 795 | 1 BLEEDER CAP | 717 | 8067 | 2 PIN BUSHING | 236 |
| 4263-G | Ø52 | | 1530 | 1 CALIPER BOOT | 416 |
| 2222 | 2 PIN BUSHING | 611 | 2255 | 1 PIN BUSHING | 627 |
| 548-A | 1 SQUARE SECTION SEAL | 500 | 547 | 1 SQUARE SECTION SEAL | 500 |
| 795 | 1 BLEEDER CAP | 717 | 795 | 1 BLEEDER CAP | 717 |
| 890 | 1 CALIPER BOOT | 406 | RW-2928 | 1 RETAINING RING | |
| RW-2932 | 1 RETAINING RING | | 4270-G | Ø57 | |
| 4264-G | Ø42 | | 1272 | 1 PISTON SEAL | 500 |
| 1297 | 1 PISTON SEAL | 500 | 1823 | 1 CALIPER BOOT | 415 |
| 1511 | 1 BOOT | 406 | 795 | 1 BLEEDER CAP | 717 |
| 1569 | 1 BOOT | 619 | RW-2933 | 1 RETAINING RING | |
| 1895 | 1 PLASTIC CAP | 723 | 4271-G | Ø60 | |
| 1919 | 1 PISTON SEAL | 511 | 1265 | 1 PISTON SEAL | 500 |
| 2372 | 1 PIN BUSHING | 604 | 2066 | 1 CALIPER BOOT | 416 |
| 795 | 1 BLEEDER CAP | 717 | 2215 | 1 PIN BUSHING | 627 |
| 8068 | 1 CAP | 643 | 2272 | 1 BOOT | 236 |
| RW-2923 | 1 RETAINING RING | | 795 | 1 BLEEDER CAP | 717 |
| 4265-G | Ø42 | | RW-2927 | 1 RETAINING RING | |
| 1297 | 2 PISTON SEAL | 500 | RW-3050 | 1 CAP | |
| 8221 | 2 BOOT | 420 | 4272-G | Ø60 | |
| RW-2921 | 2 RETAINING RING | | 2054 | 2 PIN BUSHING | 644 |
| 1566 | 1 BOOT | 514 | 1265 | 1 PISTON SEAL | 500 |
| 1920 | 1 PISTON SEAL | 511 | 2066 | 1 CALIPER BOOT | 416 |
| 795 | 1 BLEEDER CAP | 717 | 2229 | 1 SEAL FOR GUIDE | 519 |
| 80023 | 1 O-RING | 65 | 795 | 1 BLEEDER CAP | 717 |
| | | | RW-2927 | 1 RETAINING RING | |
| | | | 4276-G | Ø35 | |
| | | | 1270 | 1 PISTON SEAL | 500 |
| | | | 1595 | 1 BOOT | 414 |
| | | | 2211 | 1 RETAINER SEAL | 725 |
| | | | 2214 | 1 PIN BUSHING | 616 |
| | | | 2273 | 1 PIN BUSHING | 630 |
| | | | 795 | 1 BLEEDER CAP | 717 |
| | | | 80030 | 1 O-RING | 65 |
| | | | RW-2989 | 1 RETAINING RING | |
| | | | 4277-G | Ø30 | |
| | | | 1271 | 1 PISTON SEAL | 500 |
| | | | 1812 | 1 CALIPER BOOT | 416 |
| | | | 2047 | 1 BOOT | 633 |
| | | | 2061 | 1 PIN BUSHING | 627 |
| | | | 2211 | 1 RETAINER SEAL | 725 |
| | | | 795 | 1 BLEEDER CAP | 717 |
| | | | 80030 | 1 O-RING | 65 |
| | | | RW-2989 | 1 RETAINING RING | |
| | | | 4278-G | Ø43 | |
| | | | 2271 | 2 PIN BUSHING | 601 |
| | | | 1266 | 1 PISTON SEAL | 500 |
| | | | 1821 | 1 CALIPER BOOT | 414 |
| | | | 2232 | 1 SEAL FOR GUIDE | 519 |
| | | | 795 | 1 BLEEDER CAP | 717 |
| | | | RW-2974 | 1 RETAINING RING | |



REPAIR KITS COMPOSITION

| | | | | | | | | |
|-------------------|---|------------------------|-------------------|---|------------------------|-------------------------------|---|------------------------|
| 4279-G Ø67 | | | 4287-G Ø51 | | | 4296-G Ø60 | | |
| 2269 | 4 | PIN BUSHING 602 | 1885 | 2 | PIN BUSHING 604 | 2061 | 2 | PIN BUSHING 627 |
| 1264 | 1 | PISTON SEAL 500 | 1524 | 1 | CALIPER BOOT 400 | 1296 | 1 | PISTON SEAL 500 |
| 2268 | 1 | BOOT 414 | 2227 | 1 | SEAL FOR GUIDE 518 | 2097 | 1 | HARD CALIPER BOOT 433 |
| 795 | 1 | BLEEDER CAP 717 | 691 | 1 | PISTON SEAL 500 | 795 | 1 | BLEEDER CAP 717 |
| RW-2995 | 1 | RETAINING RING | 795 | 1 | BLEEDER CAP 717 | 4297-G Ø42 | | |
| 4280-G Ø51 | | | 4288-G Ø48 | | | 8053 2 PIN BUSHING 618 | | |
| 2048 | 1 | PIN BUSHING 627 | 8064 | 2 | PIN BUSHING 625 | 1297 | 1 | PISTON SEAL 500 |
| 2270 | 1 | PIN BUSHING 620 | 1841 | 1 | BLEEDER CAP 718 | 2098 | 1 | HARD CALIPER BOOT 433 |
| 2364 | 1 | CAP 731 | 2091 | 1 | SEAL FOR GUIDE 515 | 795 | 1 | BLEEDER CAP 717 |
| 2374 | 1 | BOOT 414 | 2099 | 1 | HARD CALIPER BOOT 433 | 4298-G Ø54 | | |
| 548-A | 1 | SQUARE SECTION SEAL500 | 547 | 1 | SQUARE SECTION SEAL500 | 2061 | 2 | PIN BUSHING 627 |
| 795 | 1 | BLEEDER CAP 717 | 4289-G Ø41 | | | 2204 | 1 | BOOT 433 |
| RW-2928 | 1 | RETAINING RING | 1874 | 2 | PIN BUSHING 645 | 549 | 1 | SQUARE SECTION SEAL500 |
| 4281-G Ø48 | | | 1718 | 1 | SEAL 32 | 795 | 1 | BLEEDER CAP 717 |
| 2265 | 4 | PIN BUSHING 626 | 1914 | 1 | PISTON SEAL 500 | 4299-G Ø54 | | |
| 82019 | 2 | WASHER | 2051 | 1 | RETAINER SEAL SEAL 720 | 1922 | 4 | SQUARE SECTION SEAL500 |
| 2266 | 1 | BOOT 417 | 2264 | 1 | BOOT 400 | 2206 | 4 | BOOT 430 |
| 548 | 1 | SQUARE SECTION SEAL500 | 795 | 1 | BLEEDER CAP 717 | 795 | 1 | BLEEDER CAP 717 |
| 795 | 1 | BLEEDER CAP 717 | 80016 | 1 | O-RING 65 | 4300-G Ø48 | | |
| RW-2997 | 1 | RETAINING RING | 80037 | 1 | O-RING 65 | 2099 | 1 | HARD CALIPER BOOT 433 |
| 4282-G Ø33 | | | 4290-G Ø36 | | | 548 | 1 | SQUARE SECTION SEAL500 |
| 1289 | 2 | SQUARE SECTION SEAL501 | 1270 | 1 | PISTON SEAL 500 | 795 | 1 | BLEEDER CAP 717 |
| 1295 | 2 | PISTON SEAL 500 | 1529 | 1 | CALIPER BOOT 400 | 4301-G Ø54 | | |
| 1814 | 2 | HARD CALIPER BOOT 429 | 795 | 1 | BLEEDER CAP 717 | 2204 | 1 | BOOT 433 |
| 795 | 1 | BLEEDER CAP 717 | 4291-G Ø43 | | | 549 | 1 | SQUARE SECTION SEAL500 |
| 4284-G Ø51 | | | 1297 | 2 | PISTON SEAL 500 | 795 | 1 | BLEEDER CAP 717 |
| 2314 | 2 | PIN BUSHING 608 | 1890 | 2 | CALIPER BOOT 400 | 4302-G Ø54 | | |
| 1279 | 1 | PISTON SEAL 500 | 795 | 1 | BLEEDER CAP 717 | 2263 | 2 | PIN BUSHING 603 |
| 2041 | 1 | BOOT 440 | 4292-G Ø43 | | | 2335 | 2 | PIN BUSHING 625 |
| 2257 | 1 | PIN BUSHING 627 | 2062 | 2 | PIN BUSHING 604 | 1577 | 1 | CALIPER BOOT 433 |
| 795 | 1 | BLEEDER CAP 717 | 1297 | 1 | PISTON SEAL 500 | 1841 | 1 | BLEEDER CAP 718 |
| RW-2925 | 1 | RETAINING RING | 1718 | 1 | SEAL 32 | 2080 | 1 | BOOT 616 |
| 4285-G Ø48 | | | 2045 | 1 | CALIPER BOOT 400 | 549 | 1 | SQUARE SECTION SEAL500 |
| 2265 | 4 | PIN BUSHING 626 | 2342 | 1 | RETAINER SEAL 726 | 4303-G Ø38 | | |
| 2324 | 1 | BOOT 417 | 795 | 1 | BLEEDER CAP 717 | 1905 | 2 | PISTON SEAL 500 |
| 547 | 1 | SQUARE SECTION SEAL500 | 80015 | 1 | O-RING 65 | 2200 | 2 | BOOT 433 |
| 795 | 1 | BLEEDER CAP 717 | 4293-G Ø48 | | | 2426 | 2 | PLASTIC CAP 714 |
| RW-2997 | 1 | RETAINING RING | 2070 | 2 | PIN BUSHING 618 | 2212 | 1 | PIN BUSHING 625 |
| 4286-G Ø60 | | | 2071 | 1 | PIN BUSHING 618 | 2382 | 1 | PIN BUSHING 629 |
| 2054 | 2 | PIN BUSHING 644 | 547 | 1 | SQUARE SECTION SEAL500 | 2384 | 1 | PIN BUSHING 628 |
| 1265 | 1 | PISTON SEAL 500 | 795 | 1 | BLEEDER CAP 717 | 795 | 1 | BLEEDER CAP 717 |
| 1889 | 1 | CALIPER BOOT 414 | 879 | 1 | CALIPER BOOT 400 | 4304-G Ø60 | | |
| 2229 | 1 | SEAL FOR GUIDE 519 | 4295-G Ø66 | | | 1885 | 2 | PIN BUSHING 604 |
| 795 | 1 | BLEEDER CAP 717 | 2061 | 2 | PIN BUSHING 627 | 1296 | 1 | PISTON SEAL 500 |
| RW-2927 | 1 | RETAINING RING | 1913 | 1 | PISTON SEAL 500 | 2227 | 1 | SEAL FOR GUIDE 518 |
| | | | 2096 | 1 | HARD CALIPER BOOT 432 | 2244 | 1 | BOOT 400 |
| | | | 795 | 1 | BLEEDER CAP 717 | 795 | 1 | BLEEDER CAP 717 |



REPAIR KITS COMPOSITION

| | | | | | | | | |
|---------------|---------------------|---------------|---------------|--------------------------|--------------|---------------|--------------------------|--------------|
| 4305-G | Ø57 | 4316-G | Ø38 | 4328-G | Ø15,9 | | | |
| 1885 | 2 PIN BUSHING | 604 | 1289 | 2 SQUARE SECTION SEAL501 | 1369 | 2 SEAL | 49 | |
| 1272 | 1 PISTON SEAL | 500 | 1905 | 2 PISTON SEAL | 500 | 1520 | 2 BOOT | 259 |
| 1861 | 1 CALIPER BOOT | 401 | 2065 | 2 CALIPER BOOT | 429 | 795 | 1 BLEEDER CAP | 717 |
| 795 | 1 BLEEDER CAP | 717 | 795 | 1 BLEEDER CAP | 717 | 4329-G | | Ø45 |
| 8151 | 1 SEAL FOR GUIDE | 518 | 4318-G | | Ø54 | 1569 | 2 BOOT | 619 |
| 4306-G | | Ø60 | 1569 | 2 BOOT | 619 | 1895 | 2 PLASTIC CAP | 723 |
| 1296 | 1 PISTON SEAL | 500 | 1895 | 2 PLASTIC CAP | 723 | 1299 | 1 PISTON SEAL | 500 |
| 2097 | 1 HARD CALIPER BOOT | 433 | 2076 | 1 BOOT | 434 | 1894 | 1 CALIPER BOOT | 400 |
| 795 | 1 BLEEDER CAP | 717 | 549-B | 1 SQUARE SECTION SEAL500 | 795 | 795 | 1 BLEEDER CAP | 717 |
| 4307-G | | Ø38 | 795 | 1 BLEEDER CAP | 717 | 4330-G | | Ø52 |
| 2271 | 2 PIN BUSHING | 601 | 4320-G | | Ø19 | 1569 | 2 BOOT | 619 |
| 1876 | 1 CALIPER BOOT | 414 | 534 | 3 O-RING | 504 | 1895 | 2 PLASTIC CAP | 723 |
| 1905 | 1 PISTON SEAL | 500 | 640 | 2 SEAL | 49 | 1902 | 1 PISTON SEAL | 500 |
| 2232 | 1 SEAL FOR GUIDE | 519 | 656 | 2 SEAL | 27 | 2052 | 1 CALIPER BOOT | 401 |
| 795 | 1 BLEEDER CAP | 717 | 791-A | 2 CONNECTION SEAL | 707 | 795 | 1 BLEEDER CAP | 717 |
| RW-2974 | 1 RETAINING RING | | PS-1 | 2 BOLT | | 4331-G | | Ø24 |
| 4308-G | | Ø63 | 4321-G | | Ø20,6 | 1569 | 2 BOOT | 619 |
| 1918 | 1 PISTON SEAL | 500 | 2112 | 2 SEAL | 54 | 1895 | 2 PLASTIC CAP | 723 |
| 2262 | 1 BOOT | 430 | 82038 | 2 WASHER | | 4332-G | | Ø54 |
| 795 | 1 BLEEDER CAP | 717 | 1614 | 1 SEAL | 39 | 2335 | 2 PIN BUSHING | 625 |
| 4309-G | | Ø60 | 1687 | 1 SEAL | 27 | 1577 | 1 CALIPER BOOT | 433 |
| 2336 | 2 PIN BUSHING | 625 | 2028 | 1 PIN BUSHING | 263 | 549 | 1 SQUARE SECTION SEAL500 | |
| 1265 | 1 PISTON SEAL | 500 | GP-23 | 1 SNAP RING | | 795 | 1 BLEEDER CAP | 717 |
| 1822 | 1 CALIPER BOOT | 401 | 4322-G | | Ø22,2 | 4333-G | | Ø22,2 |
| 2215 | 1 PIN BUSHING | 627 | 641-A | 2 SEAL | 49 | 1409 | 1 SEAL | 24 |
| 795 | 1 BLEEDER CAP | 717 | 728 | 2 BOOT | 214 | 2079 | 1 PIN BUSHING | 301 |
| 4310-G | | Ø60 | 795 | 1 BLEEDER CAP | 717 | 795 | 1 BLEEDER CAP | 717 |
| 1296 | 2 PISTON SEAL | 500 | 4323-G | | Ø15,9 | 4335-G | | Ø22,2 |
| 1925 | 2 PISTON SEAL | 500 | 1429 | 2 SEAL | 24 | 1523 | 2 CONNECTION SEAL | 708 |
| 2260 | 2 PIN BUSHING | 637 | 2046 | 2 BOOT | 238 | 640-B | 2 SEAL | 42 |
| 8301 | 2 BOOT | 400 | 795 | 1 BLEEDER CAP | 717 | 655 | 2 SEAL | 27 |
| 2410 | 1 O-RING | 504 | 4325-G | | Ø40 | PS-2 | 2 BOLT | |
| 668-A | 1 SEAL | 32 | 1268 | 2 PISTON SEAL | 500 | 4336-G | | Ø34 |
| 795 | 1 BLEEDER CAP | 717 | 1289 | 2 SQUARE SECTION SEAL501 | | 1295 | 4 PISTON SEAL | 500 |
| 4311-G | | Ø60 | 2387 | 2 BOOT | 429 | 1814 | 4 HARD CALIPER BOOT | 429 |
| 1296 | 2 PISTON SEAL | 500 | 795 | 2 BLEEDER CAP | 717 | 795 | 3 BLEEDER CAP | 717 |
| 2365 | 2 BOOT | 401 | 4326-G | | Ø19 | 1932 | 2 SQUARE SECTION SEAL501 | |
| 795 | 1 BLEEDER CAP | 717 | 2236 | 2 BOOT | 218 | 4337-G | | Ø54 |
| 4312-G | | Ø68 | 603 | 2 SEAL | 9 | 1932 | 2 SQUARE SECTION SEAL501 | |
| 1264 | 2 PISTON SEAL | 500 | 795 | 1 BLEEDER CAP | 717 | 2321 | 2 BOOT | 422 |
| 2258 | 2 BOOT | 434 | 4327-G | | Ø17,5 | 549 | 2 SQUARE SECTION SEAL500 | |
| 795 | 1 BLEEDER CAP | 717 | 2236 | 2 BOOT | 218 | RW-2925 | 2 RETAINING RING | |
| 4314-G | | Ø68 | 602 | 2 SEAL | 9 | 2033 | 1 VALVE SEAT | 512 |
| 1264 | 2 PISTON SEAL | 500 | 795 | 1 BLEEDER CAP | 717 | 795 | 1 BLEEDER CAP | 717 |
| 2089 | 2 CALIPER BOOT | 400 | | | | | | |
| 795 | 1 BLEEDER CAP | 717 | | | | | | |



REPAIR KITS COMPOSITION

| | | | | | |
|---------------|-------------------|---------------|----------------|-------------------------|-------------------------|
| 4338-G | Ø19 | 4348-G | Ø19 | 4358-G | Ø38 |
| 657 | 2 SEAL | 32 | 1412 | 2 SEAL | 24 |
| 663 | 2 SEAL | 32 | 2124 | 2 SEAL | 54 |
| 82031 | 2 WASHER | | 1371 | 1 SEAL | 14 |
| 640 | 1 SEAL | 49 | 1762 | 1 VALVE (WITHOUT SLOTS) | 805 |
| 833 | 1 BOOT | 257 | 2044 | 1 VALVE (WITH SLOTS) | 805 |
| 4339-G | Ø17,5 | GP-22 | 1 SNAP RING | 4359-G | Ø19 |
| 1239 | 1 SEAL | 49 | 4349-G | Ø19 | 1140 |
| 552 | 1 SEAL | 1 | 2126 | 2 SEAL | 54 |
| 830 | 1 BOOT | 257 | 1611 | 1 SEAL | 40 |
| 4340-G | Ø23,8 | 640-A | 1 SEAL | 42 | 556-B |
| 1245 | 2 SEAL | 32 | 4350-G | Ø22,2 | 795 |
| 1640 | 2 SEAL | 38 | 1342 | 2 SEAL | 24 |
| 1816 | 2 CONNECTION SEAL | 704 | 1673 | 2 SEAL | 54 |
| 1366 | 1 SEAL | 57 | 4351-G | Ø23,8 | 800 |
| 694 | 1 PISTON SEAL | 500 | 2168 | 2 SEAL | 54 |
| GP-35 | 1 SNAP RING | | 1244 | 1 SEAL | 32 |
| 4342-G | Ø20,6 | 1658 | 1 SEAL | 59 | 82031 |
| 1483 | 1 SEAL | 34 | 4352-G | Ø19 | 1 WASHER |
| 1583 | 1 PIN BUSHING | 315 | 1412 | 2 SEAL | 24 |
| 1672 | 1 SEAL | 39 | 2124 | 2 SEAL | 54 |
| 795 | 1 BLEEDER CAP | 717 | 1371 | 1 SEAL | 14 |
| 4343-G | Ø20,6 | 4354-G | Ø20,6 | 4361-G | Ø23,8 |
| 1234 | 2 SEAL | 32 | 1381 | 3 SEAL | 35 |
| 642 | 2 SEAL | 32 | 1382 | 2 SEAL | 54 |
| 82038 | 2 WASHER | | 1383-A | 2 VALVE | 811 |
| 1834 | 1 PIN BUSHING | 304 | 795 | 2 BLEEDER CAP | 717 |
| 639-A | 1 SEAL | 49 | 82038 | 2 WASHER | |
| 4344-G | Ø22,2 | 1383 | 1 VALVE SEAT | 812 | 4362-G |
| 1416 | 2 SEAL | 12 | 4355-G | Ø25,4 | Ø17,5 |
| 707 | 2 BOOT | 215 | 1131 | 1 VALVE | 813 |
| 795 | 1 BLEEDER CAP | 717 | 12 | 1 VALVE SEAT | 800 |
| 4345-G | Ø28,6 | 2340 | 1 BOOT | 257 | 1140 |
| 2114 | 3 SEAL | 32 | 510 | 1 SEAL | 13 |
| 1307 | 2 VALVE SEAT | 811 | 560 | 1 SEAL | 1 |
| 1634 | 2 SEAL | 54 | 4356-G | Ø22,2 | 1239 |
| GP-30 | 1 SNAP RING | | 1342 | 2 SEAL | 24 |
| GP-32 | 1 SNAP RING | | 1608 | 2 SEAL | 54 |
| 4346-G | Ø19 | 1633 | 1 SEAL | 37 | 1310 |
| 657 | 4 SEAL | 32 | GP-24 | 1 SNAP RING | 1582 |
| 82025 | 2 WASHER | | 4357-G | Ø43 | 82011 |
| 640 | 1 SEAL | 49 | 1297 | 1 PISTON SEAL | 500 |
| 833 | 1 BOOT | 257 | 1548 | 1 PIN BUSHING | 609 |
| 4347-G | Ø19 | 1821 | 1 CALIPER BOOT | 414 | 4364-G |
| 1398 | 2 SEAL | 54 | 2061 | 1 PIN BUSHING | 627 |
| 1464 | 1 SEAL | 24 | 795 | 1 BLEEDER CAP | 717 |
| 1662 | 1 SEAL | 75 | RW-2974 | 1 RETAINING RING | |
| | | | | | Ø19 |
| | | | | | 1394 |
| | | | | | 576 |
| | | | | | 4365-G |
| | | | | | Ø19 |
| | | | | | 1699 |
| | | | | | 1762 |
| | | | | | 2124 |
| | | | | | 82008 |
| | | | | | 1359 |
| | | | | | 2044 |
| | | | | | 80003 |
| | | | | | 824 |
| | | | | | GP-23 |
| | | | | | 1 WASHER |
| | | | | | 1 SEAL |
| | | | | | 1 VALVE (WITH SLOTS) |
| | | | | | 1 O-RING |
| | | | | | 1 BOOT |
| | | | | | 1 SNAP RING |
| | | | | | 2 SEAL |
| | | | | | 2 VALVE (WITHOUT SLOTS) |
| | | | | | 2 SEAL |
| | | | | | 2 WASHER |
| | | | | | 1 SEAL |
| | | | | | 1 VALVE (WITHOUT SLOTS) |
| | | | | | 1 VALVE (WITH SLOTS) |
| | | | | | 1 SNAP RING |
| | | | | | 2 SEAL |
| | | | | | 2 VALVE (WITHOUT SLOTS) |
| | | | | | 2 SEAL |
| | | | | | 2 WASHER |
| | | | | | 1 SEAL |
| | | | | | 1 VALVE (WITHOUT SLOTS) |
| | | | | | 1 VALVE (WITH SLOTS) |
| | | | | | 1 SNAP RING |
| | | | | | 2 SEAL |
| | | | | | 2 VALVE (WITHOUT SLOTS) |
| | | | | | 2 SEAL |
| | | | | | 2 WASHER |
| | | | | | 1 SEAL |
| | | | | | 1 VALVE (WITHOUT SLOTS) |
| | | | | | 1 VALVE (WITH SLOTS) |
| | | | | | 1 SNAP RING |
| | | | | | 2 SEAL |
| | | | | | 2 VALVE (WITHOUT SLOTS) |
| | | | | | 2 SEAL |
| | | | | | 2 WASHER |
| | | | | | 1 SEAL |
| | | | | | 1 VALVE (WITHOUT SLOTS) |
| | | | | | 1 VALVE (WITH SLOTS) |
| | | | | | 1 SNAP RING |
| | | | | | 2 SEAL |
| | | | | | 2 VALVE (WITHOUT SLOTS) |
| | | | | | 2 SEAL |
| | | | | | 2 WASHER |
| | | | | | 1 SEAL |
| | | | | | 1 VALVE (WITHOUT SLOTS) |
| | | | | | 1 VALVE (WITH SLOTS) |
| | | | | | 1 SNAP RING |
| | | | | | 2 SEAL |
| | | | | | 2 VALVE (WITHOUT SLOTS) |
| | | | | | 2 SEAL |
| | | | | | 2 WASHER |
| | | | | | 1 SEAL |
| | | | | | 1 VALVE (WITHOUT SLOTS) |
| | | | | | 1 VALVE (WITH SLOTS) |
| | | | | | 1 SNAP RING |
| | | | | | 2 SEAL |
| | | | | | 2 VALVE (WITHOUT SLOTS) |
| | | | | | 2 SEAL |
| | | | | | 2 WASHER |
| | | | | | 1 SEAL |
| | | | | | 1 VALVE (WITHOUT SLOTS) |
| | | | | | 1 VALVE (WITH SLOTS) |
| | | | | | 1 SNAP RING |
| | | | | | 2 SEAL |
| | | | | | 2 VALVE (WITHOUT SLOTS) |
| | | | | | 2 SEAL |
| | | | | | 2 WASHER |
| | | | | | 1 SEAL |
| | | | | | 1 VALVE (WITHOUT SLOTS) |
| | | | | | 1 VALVE (WITH SLOTS) |
| | | | | | 1 SNAP RING |
| | | | | | 2 SEAL |
| | | | | | 2 VALVE (WITHOUT SLOTS) |
| | | | | | 2 SEAL |
| | | | | | 2 WASHER |
| | | | | | 1 SEAL |
| | | | | | 1 VALVE (WITHOUT SLOTS) |
| | | | | | 1 VALVE (WITH SLOTS) |
| | | | | | 1 SNAP RING |
| | | | | | 2 SEAL |
| | | | | | 2 VALVE (WITHOUT SLOTS) |
| | | | | | 2 SEAL |
| | | | | | 2 WASHER |
| | | | | | 1 SEAL |
| | | | | | 1 VALVE (WITHOUT SLOTS) |
| | | | | | 1 VALVE (WITH SLOTS) |
| | | | | | 1 SNAP RING |
| | | | | | 2 SEAL |
| | | | | | 2 VALVE (WITHOUT SLOTS) |
| | | | | | 2 SEAL |
| | | | | | 2 WASHER |
| | | | | | 1 SEAL |
| | | | | | 1 VALVE (WITHOUT SLOTS) |
| | | | | | 1 VALVE (WITH SLOTS) |
| | | | | | 1 SNAP RING |
| | | | | | 2 SEAL |
| | | | | | 2 VALVE (WITHOUT SLOTS) |
| | | | | | 2 SEAL |
| | | | | | 2 WASHER |
| | | | | | 1 SEAL |
| | | | | | 1 VALVE (WITHOUT SLOTS) |
| | | | | | 1 VALVE (WITH SLOTS) |
| | | | | | 1 SNAP RING |
| | | | | | 2 SEAL |
| | | | | | 2 VALVE (WITHOUT SLOTS) |
| | | | | | 2 SEAL |
| | | | | | 2 WASHER |
| | | | | | 1 SEAL |
| | | | | | 1 VALVE (WITHOUT SLOTS) |
| | | | | | 1 VALVE (WITH SLOTS) |
| | | | | | 1 SNAP RING |
| | | | | | 2 SEAL |
| | | | | | 2 VALVE (WITHOUT SLOTS) |
| | | | | | 2 SEAL |
| | | | | | 2 WASHER |
| | | | | | 1 SEAL |
| | | | | | 1 VALVE (WITHOUT SLOTS) |
| | | | | | 1 VALVE (WITH SLOTS) |
| | | | | | 1 SNAP RING |
| | | | | | 2 SEAL |
| | | | | | 2 VALVE (WITHOUT SLOTS) |
| | | | | | 2 SEAL |
| | | | | | 2 WASHER |
| | | | | | 1 SEAL |
| | | | | | 1 VALVE (WITHOUT SLOTS) |
| | | | | | 1 VALVE (WITH SLOTS) |
| | | | | | 1 SNAP RING |
| | | | | | 2 SEAL |
| | | | | | 2 VALVE (WITHOUT SLOTS) |
| | | | | | 2 SEAL |
| | | | | | 2 WASHER |
| | | | | | 1 SEAL |
| | | | | | 1 VALVE (WITHOUT SLOTS) |
| | | | | | 1 VALVE (WITH SLOTS) |
| | | | | | 1 SNAP RING |
| | | | | | 2 SEAL |
| | | | | | 2 VALVE (WITHOUT SLOTS) |
| | | | | | 2 SEAL |
| | | | | | 2 WASHER |
| | | | | | 1 SEAL |
| | | | | | 1 VALVE (WITHOUT SLOTS) |
| | | | | | 1 VALVE (WITH SLOTS) |
| | | | | | 1 SNAP RING |
| | | | | | 2 SEAL |
| | | | | | 2 VALVE (WITHOUT SLOTS) |
| | | | | | 2 SEAL |
| | | | | | 2 WASHER |
| | | | | | 1 SEAL |
| | | | | | 1 VALVE (WITHOUT SLOTS) |
| | | | | | 1 VALVE (WITH SLOTS) |
| | | | | | 1 SNAP RING |
| | | | | | 2 SEAL |
| | | | | | 2 VALVE (WITHOUT SLOTS) |
| | | | | | 2 SEAL |
| | | | | | 2 WASHER |
| | | | | | 1 SEAL |
| | | | | | 1 VALVE (WITHOUT SLOTS) |
| | | | | | 1 VALVE (WITH SLOTS) |
| | | | | | 1 SNAP RING |
| | | | | | 2 SEAL |
| | | | | | 2 VALVE (WITHOUT SLOTS) |
| | | | | | 2 SEAL |
| | | | | | 2 WASHER |
| | | | | | 1 SEAL |
| | | | | | 1 VALVE (WITHOUT SLOTS) |
| | | | | | 1 VALVE (WITH SLOTS) |
| | | | | | 1 SNAP RING |
| | | | | | 2 SEAL |
| | | | | | 2 VALVE (WITHOUT SLOTS) |
| | | | | | 2 SEAL |
| | | | | | 2 WASHER |
| | | | | | 1 SEAL |
| | | | | | 1 VALVE (WITHOUT SLOTS) |
| | | | | | 1 VALVE (WITH SLOTS) |
| | | | | | 1 SNAP RING |
| | | | | | 2 SEAL |
| | | | | | 2 VALVE (WITHOUT SLOTS) |
| | | | | | 2 SEAL |
| | | | | | 2 WASHER |
| | | | | | 1 SEAL |
| | | | | | 1 VALVE (WITHOUT SLOTS) |
| | | | | | 1 VALVE (WITH SLOTS) |
| | | | | | 1 SNAP RING |
| | | | | | 2 SEAL |
| | | | | | 2 VALVE (WITHOUT SLOTS) |
| | | | | | 2 SEAL |
| | | | | | 2 WASHER |
| | | | | | 1 SEAL |
| | | | | | 1 VALVE (WITHOUT SLOTS) |
| | | | | | 1 VALVE (WITH SLOTS) |
| | | | | | 1 SNAP RING |
| | | | | | 2 SEAL |
| | | | | | 2 VALVE (WITHOUT SLOTS) |
| | | | | | 2 SEAL |
| | | | | | 2 WASHER |
| | | | | | 1 SEAL |
| | | | | | 1 VALVE (WITHOUT SLOTS) |
| | | | | | 1 VALVE (WITH SLOTS) |
| | | | | | 1 SNAP RING |
| | | | | | 2 SEAL |
| | | | | | 2 VALVE (WITHOUT SLOTS) |
| | | | | | |



REPAIR KITS COMPOSITION

| | | | | | | | |
|---------------|-------------------------|---------------|----------------|-------------------|---------------|-------------------------|----------------------|
| 4394-G | Ø23,8 | 4402-G | Ø17,5 | 4409-G | Ø19 | | |
| 609 | 2 SEAL | 9 | 1728 | 1 SEAL | 32 | | |
| 786 | 2 BOOT | 217 | 1877 | 1 BOOT | 257 | | |
| 795 | 1 BLEEDER CAP | 717 | 2115 | 1 SEAL | 42 | | |
| 4395-G | Ø20,6 | 82023 | 1 WASHER | 82008 | 2 WASHER | | |
| 1161 | 1 VALVE | 809 | GP-1004 | 1 SNAP RING | 1371 | 1 SEAL | |
| 1385 | 1 SEAL | 509 | 4403-G | Ø15,9 | 1762 | 1 VALVE (WITHOUT SLOTS) | |
| 19 | 1 VALVE SEAT | 801 | 1624 | 2 SEAL | 32 | 805 | |
| 1908 | 1 SQUARE SECTION SEAL | 501 | 1396 | 1 VALVE SEAT | 802 | 2044 | 1 VALVE (WITH SLOTS) |
| 1909 | 1 SQUARE SECTION SEAL | 501 | 824 | 1 BOOT | 255 | 80002 | 1 O-RING |
| 1925 | 1 PISTON SEAL | 500 | GP-23 | 1 SNAP RING | 65 | GP-23 | 1 SNAP RING |
| 661-A | 1 SEAL | 32 | 4404-G | Ø23,8 | 4410-G | Ø19 | |
| 4396-G | Ø15,9 | 1645 | 3 SEAL | 44 | 1360 | 3 SEAL | |
| 1237 | 1 SEAL | 14 | 791 | 2 CONNECTION SEAL | 702 | 1307 | 1 VALVE SEAT |
| 1624 | 1 SEAL | 32 | 2104 | 1 SEAL | 65 | 1371 | 1 SEAL |
| 2088 | 1 BOOT | 252 | 694 | 1 PISTON SEAL | 500 | 1396 | 1 VALVE SEAT |
| 80003 | 1 O-RING | 65 | GP-36 | 1 SNAP RING | 4411-G | Ø20,6 | |
| GP-23 | 1 SNAP RING | 4405-G | Ø22,2 | 559 | 2 SEAL | 27 | |
| 4397-G | Ø19 | 1225 | 2 SEAL | 56 | 791-A | 2 CONNECTION SEAL | |
| 1697 | 2 SEAL | 54 | 554 | 1 SEAL | 5 | PS-1 | 2 BOLT |
| 1699 | 2 SEAL | 32 | 694 | 1 PISTON SEAL | 500 | 639-A | 1 SEAL |
| 1762 | 2 VALVE (WITHOUT SLOTS) | 805 | 82092 | 1 PLASTIC WASHER | 4412-G | Ø20,6 | |
| 82008 | 2 WASHER | C-411 | 1 VALVE SEAT | 803 | 1363 | 2 SEAL | |
| 1612 | 1 SEAL | 42 | GP-25 | 1 SNAP RING | 1345 | 1 SEAL | |
| 2044 | 1 VALVE (WITH SLOTS) | 805 | 4406-G | Ø22,2 | 1364 | 1 SEAL | |
| 80003 | 1 O-RING | 65 | 1342 | 2 SEAL | 24 | GP-28 | 1 SNAP RING |
| 824 | 1 BOOT | 255 | 1608 | 2 SEAL | 54 | 4413-G | Ø20,6 |
| 4398-G | Ø23,8 | 80000 | 1 O-RING | 65 | 1670 | 2 SEAL | |
| 1660 | 2 SEAL | 54 | 82038 | 1 WASHER | 1672 | 2 SEAL | |
| 1663 | 1 SEAL | 27 | 4407-G | Ø15,9 | 1762 | 2 VALVE (WITHOUT SLOTS) | |
| 1690 | 1 SEAL | 29 | 19 | 1 VALVE SEAT | 801 | 805 | |
| GP-27 | 1 SNAP RING | 658 | 1 SEAL | 32 | 82025 | 2 WASHER | |
| 4399-G | Ø27 | 823 | 1 BOOT | 254 | 1671 | 1 SEAL | |
| 1677 | 3 SEAL | 29 | 4408-G | Ø17,5 | 4414-G | Ø22,2 | |
| 1676 | 1 SEAL | 54 | 1390 | 2 SEAL | 54 | 1631 | 3 SEAL |
| 80005 | 1 O-RING | 65 | 1493 | 2 SEAL | 31 | 1383-A | 2 VALVE |
| 82040 | 1 WASHER | 82083 | 2 WASHER | 805 | 1396 | 2 VALVE SEAT | |
| GP-30 | 1 SNAP RING | 1451 | 1 SEAL | 14 | 1632 | 1 SEAL | |
| 4400-G | Ø25,4 | 824 | 1 BOOT | 255 | 1633 | 1 SEAL | |
| 1357 | 3 SEAL | 45 | 4409-G | Ø19 | GP-24 | 1 SNAP RING | |
| 2231 | 2 CONNECTION SEAL | 712 | 1443 | 2 SEAL | 54 | 4415-G | Ø22,2 |
| 1486 | 1 SEAL | 54 | 1638 | 2 SEAL | 39 | 1443 | 2 SEAL |
| 2143 | 1 VALVE SEAT | 801 | 82031 | 2 WASHER | 805 | 1638 | 2 SEAL |
| GP-28 | 1 SNAP RING | 4401-G | Ø22,2 | 2142 | 1 SEAL | 26 | |
| 1619 | 2 SEAL | 54 | 1619 | 2 SEAL | 21 | 4416-G | Ø23,8 |
| 1691 | 2 SEAL | 21 | 1241 | 3 SEAL | 29 | 1244 | 2 SEAL |
| | | | 1244 | 2 SEAL | 32 | 1522 | 2 CONNECTION SEAL |
| | | | 1522 | 2 CONNECTION SEAL | 709 | 82050 | 2 WASHER |
| | | | 82050 | 2 WASHER | | | |



REPAIR KITS COMPOSITION

| | | | | | |
|---------------|--------------------------|---------------|----------------------|---------------|--------------------------|
| 4417-G | Ø45 | 4426-G | Ø30 | 4431-G | Ø34 |
| 1289 | 2 SQUARE SECTION SEAL501 | 1271 | 1 PISTON SEAL 500 | 1289 | 2 SQUARE SECTION SEAL501 |
| 1299 | 2 PISTON SEAL 500 | 1812 | 1 CALIPER BOOT 416 | 1295 | 2 PISTON SEAL 500 |
| 2295 | 2 BOOT 418 | 1841 | 1 BLEEDER CAP 718 | 1814 | 2 HARD CALIPER BOOT 429 |
| RW-2923 | 2 RETAINING RING | 2211 | 1 RETAINER SEAL 725 | 795 | 1 BLEEDER CAP 717 |
| 795 | 1 BLEEDER CAP 717 | 2246 | 1 PIN BUSHING 616 | | |
| 4418-G | Ø48 | 2354 | 1 PIN BUSHING 631 | 4432-G | Ø34 |
| 2295 | 4 BOOT 418 | 80030 | 1 O-RING 65 | 1569 | 2 BOOT 619 |
| 547 | 4 SQUARE SECTION SEAL500 | RW-2989 | 1 RETAINING RING | 1895 | 2 PLASTIC CAP 723 |
| RW-2923 | 4 RETAINING RING | 4427-G | Ø30 | 1295 | 1 PISTON SEAL 500 |
| 795 | 3 BLEEDER CAP 717 | 1569 | 2 BOOT 619 | 1841 | 1 BLEEDER CAP 718 |
| 1932 | 2 SQUARE SECTION SEAL501 | 1895 | 2 PLASTIC CAP 723 | 2361 | 1 BOOT 401 |
| 4419-G | Ø54 | 1271 | 1 PISTON SEAL 500 | 4433-G | Ø34 |
| 2027 | 2 CALIPER BOOT 414 | 2225 | 1 RETAINER SEAL 728 | 2355 | 2 PIN BUSHING 603 |
| 549-B | 2 SQUARE SECTION SEAL500 | 2226 | 1 BOOT 406 | 1295 | 1 PISTON SEAL 500 |
| 795 | 2 BLEEDER CAP 717 | 795 | 1 BLEEDER CAP 717 | 1529 | 1 CALIPER BOOT 400 |
| RW-2933 | 2 RETAINING RING | 80023 | 1 O-RING 65 | 1718 | 1 SEAL 32 |
| 4420-G | Ø14,3 | RW-2971 | 1 RETAINING RING | 1884 | 1 RETAINER SEAL 721 |
| 1401 | 2 SEAL 9 | 4428-G | Ø30 | 795 | 1 BLEEDER CAP 717 |
| 1520 | 2 BOOT 259 | 2353 | 2 PIN BUSHING 655 | 80015 | 1 O-RING 65 |
| 795 | 1 BLEEDER CAP 717 | 1271 | 1 PISTON SEAL 500 | 8151 | 1 SEAL FOR GUIDE 518 |
| 4421-G | Ø20,6 | 1713 | 1 SEAL 39 | 4434-G | Ø35 |
| 1413 | 2 SEAL 11 | 1870 | 1 CALIPER BOOT 401 | 1270 | 1 PISTON SEAL 500 |
| 2286 | 2 BOOT 244 | 2356 | 1 RETAINER SEAL 729 | 1595 | 1 BOOT 414 |
| 795 | 1 BLEEDER CAP 717 | 795 | 1 BLEEDER CAP 717 | 2061 | 1 PIN BUSHING 627 |
| 4422-G | Ø22,2 | 80015 | 1 O-RING 65 | 2273 | 1 PIN BUSHING 630 |
| 662 | 2 SEAL 32 | 4429-G | Ø30 | 795 | 1 BLEEDER CAP 717 |
| 704 | 2 BOOT 212 | 1271 | 1 PISTON SEAL 500 | RW-2989 | 1 RETAINING RING |
| 795 | 1 BLEEDER CAP 717 | 1812 | 1 CALIPER BOOT 416 | RW-3050 | 1 CAP |
| 4423-G | Ø28,6 | 1844 | 1 BOOT 633 | 4435-G | Ø35 |
| 634-A | 2 SEAL 50 | 2048 | 1 PIN BUSHING 627 | 2271 | 2 PIN BUSHING 601 |
| 705 | 2 BOOT 203 | 2211 | 1 RETAINER SEAL 725 | 1270 | 1 PISTON SEAL 500 |
| 851 | 2 O-RING 504 | 2364 | 1 CAP 731 | 1595 | 1 BOOT 414 |
| 795 | 1 BLEEDER CAP 717 | 795 | 1 BLEEDER CAP 717 | 2232 | 1 SEAL FOR GUIDE 519 |
| 4424-G | Ø19 | 80015 | 1 O-RING 65 | 795 | 1 BLEEDER CAP 717 |
| 641-D | 1 SEAL 51 | RW-2989 | 1 RETAINING RING | RW-2989 | 1 RETAINING RING |
| 656 | 1 SEAL 27 | 4430-G | Ø32 | 4436-G | Ø35 |
| 4425-G | Ø25,4 | 892 | 4 PIN BUSHING 622 | 1851 | 2 PIN BUSHING 602 |
| 1358 | 2 SEAL 54 | 80112.70 | 2 O-RING 65 | 1270 | 1 PISTON SEAL 500 |
| 82055 | 2 WASHER | 1541 | 1 CALIPER BOOT 408 | 1853 | 1 PIN BUSHING 652 |
| 2123 | 1 SEAL 27 | 1839 | 1 SEAL 520 | 2234 | 1 BOOT 416 |
| 2123.70 | 1 SEAL 27 | 1841 | 1 BLEEDER CAP 718 | 2359 | 1 CAP 730 |
| GP-32 | 1 SNAP RING | 1916 | 1 PISTON SEAL 500 | 795 | 1 BLEEDER CAP 717 |
| | | 2362 | 1 HANDBRAKE BOOT 638 | RW-2989 | 1 RETAINING RING |
| | | 80037 | 1 O-RING 65 | | |
| | | BRIDA-1 | 1 BINDING HOOP | | |



REPAIR KITS COMPOSITION

| | | | | | | | | |
|-------------------|---|------------------------|-------------------|---|------------------------|-------------------|---|------------------------|
| 4437-G Ø35 | | | 4443-G Ø38 | | | 4450-G Ø40 | | |
| 2271 | 2 | PIN BUSHING 601 | 1876 | 1 | CALIPER BOOT 414 | 1268 | 4 | PISTON SEAL 500 |
| 1270 | 1 | PISTON SEAL 500 | 1905 | 1 | PISTON SEAL 500 | 2309 | 4 | BOOT 420 |
| 1876 | 1 | CALIPER BOOT 414 | 2047 | 1 | BOOT 633 | RW-3000 | 4 | RETAINING RING |
| 2232 | 1 | SEAL FOR GUIDE 519 | 2061 | 1 | PIN BUSHING 627 | 1932 | 2 | SQUARE SECTION SEAL501 |
| 795 | 1 | BLEEDER CAP 717 | 795 | 1 | BLEEDER CAP 717 | 795 | 1 | BLEEDER CAP 717 |
| RW-2974 | 1 | RETAINING RING | RW-2974 | 1 | RETAINING RING | 4451-G Ø40 | | |
| 4438-G Ø36 | | | 4444-G Ø38 | | | 4452-G Ø40 | | |
| 1569 | 2 | BOOT 619 | 1876 | 1 | CALIPER BOOT 414 | 1266 | 2 | PISTON SEAL 500 |
| 1895 | 2 | PLASTIC CAP 723 | 1905 | 1 | PISTON SEAL 500 | 1268 | 2 | PISTON SEAL 500 |
| 1529 | 1 | CALIPER BOOT 400 | 2061 | 1 | PIN BUSHING 627 | 1289 | 2 | SQUARE SECTION SEAL501 |
| 1900 | 1 | PISTON SEAL 500 | 2270 | 1 | PIN BUSHING 620 | 2309 | 2 | BOOT 420 |
| 2342 | 1 | RETAINER SEAL 726 | 795 | 1 | BLEEDER CAP 717 | 2319 | 2 | BOOT 420 |
| 795 | 1 | BLEEDER CAP 717 | RW-2974 | 1 | RETAINING RING | RW-2921 | 2 | RETAINING RING |
| 80023 | 1 | O-RING 65 | 4445-G Ø38 | | | RW-2922 | 2 | RETAINING RING |
| 4439-G Ø36 | | | 4446-G Ø38 | | | 795 | 1 | BLEEDER CAP 717 |
| 2043 | 2 | PIN BUSHING 620 | 2353 | 2 | PIN BUSHING 655 | 4453-G Ø41 | | |
| 2234 | 2 | BOOT 416 | 1713 | 1 | SEAL 39 | 1569 | 2 | BOOT 619 |
| 546-A | 2 | SQUARE SECTION SEAL500 | 2254 | 1 | BOOT 400 | 1895 | 2 | PLASTIC CAP 723 |
| RW-2989 | 2 | RETAINING RING | 2356 | 1 | RETAINER SEAL 729 | 1268 | 1 | PISTON SEAL 500 |
| 2351 | 1 | SEAL FOR GUIDE 519 | 546-A | 1 | SQUARE SECTION SEAL500 | 1841 | 1 | BLEEDER CAP 718 |
| 795 | 1 | BLEEDER CAP 717 | 795 | 1 | BLEEDER CAP 717 | 2363 | 1 | BOOT 403 |
| 4440-G Ø38 | | | 4447-G Ø38 | | | 4454-G Ø42 | | |
| 795 | 2 | BLEEDER CAP 717 | 1821 | 2 | CALIPER BOOT 414 | 1297 | 2 | PISTON SEAL 500 |
| 834 | 2 | PIN BUSHING 605 | 1905 | 2 | PISTON SEAL 500 | 1876 | 1 | CALIPER BOOT 414 |
| 2254 | 1 | BOOT 400 | 2043 | 2 | PIN BUSHING 620 | 2048 | 1 | PIN BUSHING 627 |
| 546-A | 1 | SQUARE SECTION SEAL500 | RW-2974 | 2 | RETAINING RING | 2211 | 1 | RETAINER SEAL 725 |
| 4441-G Ø38 | | | 4448-G Ø38 | | | 2270 | 1 | PIN BUSHING 620 |
| 1595 | 1 | BOOT 414 | 2351 | 1 | SEAL FOR GUIDE 519 | 2364 | 1 | CAP 731 |
| 1905 | 1 | PISTON SEAL 500 | 795 | 1 | BLEEDER CAP 717 | 795 | 1 | BLEEDER CAP 717 |
| 534 | 1 | O-RING 504 | 4449-G Ø38 | | | 80015 | 1 | O-RING 65 |
| 795 | 1 | BLEEDER CAP 717 | 1817 | 2 | BOOT 420 | RW-2974 | 1 | RETAINING RING |
| RW-2989 | 1 | RETAINING RING | 1905 | 2 | PISTON SEAL 500 | 4455-G Ø42 | | |
| 4442-G Ø38 | | | 4449-G Ø38 | | | 1297 | 2 | PISTON SEAL 500 |
| 1874 | 2 | PIN BUSHING 645 | 1841 | 1 | BLEEDER CAP 718 | 1821 | 2 | CALIPER BOOT 414 |
| 1718 | 1 | SEAL 32 | 4448-G Ø38 | | | 2054 | 2 | PIN BUSHING 644 |
| 1801 | 1 | CALIPER BOOT 400 | 2350 | 2 | PIN BUSHING 651 | RW-2974 | 2 | RETAINING RING |
| 1932 | 1 | SQUARE SECTION SEAL501 | 1267 | 1 | PISTON SEAL 500 | 2229 | 1 | SEAL FOR GUIDE 519 |
| 2051 | 1 | RETAINER SEAL SEAL 720 | 1890 | 1 | CALIPER BOOT 400 | 795 | 1 | BLEEDER CAP 717 |
| 2456 | 1 | SEAL FOR GUIDE 616 | 2254 | 1 | BOOT 400 | 4455-G Ø42 | | |
| 546-A | 1 | SQUARE SECTION SEAL500 | 546-A | 1 | SQUARE SECTION SEAL500 | 2372 | 2 | PIN BUSHING 604 |
| 795 | 1 | BLEEDER CAP 717 | 795 | 1 | BLEEDER CAP 717 | 1297 | 1 | PISTON SEAL 500 |
| 80016 | 1 | O-RING 65 | 4449-G Ø38 | | | 1511 | 1 | BOOT 406 |
| 80037 | 1 | O-RING 65 | 1289 | 2 | SQUARE SECTION SEAL501 | 1569 | 1 | BOOT 619 |
| | | | 1297 | 2 | PISTON SEAL 500 | 1895 | 1 | PLASTIC CAP 723 |
| | | | 1905 | 2 | PISTON SEAL 500 | 1919 | 1 | PISTON SEAL 511 |
| | | | 8093 | 2 | HARD CALIPER BOOT 430 | 2366 | 1 | RETAINER SEAL 732 |
| | | | 8094 | 2 | HARD CALIPER BOOT 430 | 795 | 1 | BLEEDER CAP 717 |
| | | | 795 | 1 | BLEEDER CAP 717 | 80023 | 1 | O-RING 65 |
| | | | | | | RW-2923 | 1 | RETAINING RING |



REPAIR KITS COMPOSITION



| 4456-G Ø42 | | | 4463-G Ø45 | | | 4470-G Ø51 | | | | | |
|-------------------|---|------------------------|-------------------|-------------------|------------------------|------------------------|-------------------|-------------------|--------------|------------------------|-----|
| 1289 | 2 | SQUARE SECTION SEAL501 | 1298 | 4 | PISTON SEAL | 500 | 2353 | 2 | PIN BUSHING | 655 | |
| 1297 | 2 | PISTON SEAL | 500 | 8112 | 4 | BOOT | 449 | 1524 | 1 | CALIPER BOOT | 400 |
| 2277 | 2 | BOOT | 420 | RW-2923 | 4 | RETAINING RING | | 548-A | 1 | SQUARE SECTION SEAL500 | |
| 795 | 2 | BLEEDER CAP | 717 | 1932 | 2 | SQUARE SECTION SEAL501 | | 795 | 1 | BLEEDER CAP | 717 |
| RW-2926 | 2 | RETAINING RING | | 795 | 1 | BLEEDER CAP | 717 | 4471-G Ø51 | | | |
| 4457-G Ø43 | | | 4464-G Ø46 | | | 1279 | 1 | PISTON SEAL | 500 | | |
| 1266 | 2 | PISTON SEAL | 500 | 1880 | 2 | CALIPER BOOT | 510 | 2027 | 1 | CALIPER BOOT | 414 |
| 1821 | 2 | CALIPER BOOT | 414 | 1903 | 2 | PISTON SEAL | 500 | 2246 | 1 | PIN BUSHING | 616 |
| RW-2974 | 2 | RETAINING RING | | 1908 | 2 | SQUARE SECTION SEAL501 | | 2273 | 1 | PIN BUSHING | 630 |
| 2215 | 1 | PIN BUSHING | 627 | RW-2959 | 2 | BOOT PROTECTOR | | 795 | 1 | BLEEDER CAP | 717 |
| 2272 | 1 | BOOT | 236 | 795 | 1 | BLEEDER CAP | 717 | RW-2928 | 1 | RETAINING RING | |
| 2364 | 1 | CAP | 731 | 4465-G Ø46 | | | 4472-G Ø51 | | | | |
| 795 | 1 | BLEEDER CAP | 717 | 1289 | 2 | SQUARE SECTION SEAL501 | | 2271 | 2 | PIN BUSHING | 601 |
| 4458-G Ø43 | | | 1299 | 2 | PISTON SEAL | 500 | 2027 | 1 | CALIPER BOOT | 414 | |
| 1266 | 2 | PISTON SEAL | 500 | 2305 | 2 | HARD CALIPER BOOT | 430 | 2232 | 1 | SEAL FOR GUIDE | 519 |
| 1876 | 2 | CALIPER BOOT | 414 | 795 | 1 | BLEEDER CAP | 717 | 548-A | 1 | SQUARE SECTION SEAL500 | |
| 795 | 2 | BLEEDER CAP | 717 | 4466-G Ø48 | | | 795 | 1 | BLEEDER CAP | 717 | |
| RW-2974 | 2 | RETAINING RING | | 1530 | 1 | CALIPER BOOT | 416 | RW-2933 | 1 | RETAINING RING | |
| 2215 | 1 | PIN BUSHING | 627 | 1841 | 1 | BLEEDER CAP | 718 | 4473-G Ø51 | | | |
| 2270 | 1 | PIN BUSHING | 620 | 1887 | 1 | PIN BUSHING | 630 | 1279 | 2 | PISTON SEAL | 500 |
| 4459-G Ø43 | | | 2358 | 1 | PIN BUSHING | 617 | 2321 | 2 | BOOT | 422 | |
| 1885 | 2 | PIN BUSHING | 604 | 2360 | 1 | CAP | 736 | RW-2925 | 2 | RETAINING RING | |
| 1297 | 1 | PISTON SEAL | 500 | 547 | 1 | SQUARE SECTION SEAL500 | | 795 | 1 | BLEEDER CAP | 717 |
| 1718 | 1 | SEAL | 32 | RW-2928 | 1 | RETAINING RING | | 4474-G Ø51 | | | |
| 1841 | 1 | BLEEDER CAP | 718 | 4467-G Ø48 | | | 2247 | 2 | PIN BUSHING | 616 | |
| 1884 | 1 | RETAINER SEAL | 721 | 2352 | 2 | PIN BUSHING | 604 | 1279 | 1 | PISTON SEAL | 500 |
| 2045 | 1 | CALIPER BOOT | 400 | 1838 | 1 | CALIPER BOOT | 401 | 1524 | 1 | CALIPER BOOT | 400 |
| 80015 | 1 | O-RING | 65 | 547 | 1 | SQUARE SECTION SEAL500 | | 795 | 1 | BLEEDER CAP | 717 |
| 4460-G Ø43 | | | 795 | 1 | BLEEDER CAP | 717 | 4475-G Ø51 | | | | |
| 1266 | 2 | PISTON SEAL | 500 | 4468-G Ø48 | | | 1279 | 1 | PISTON SEAL | 500 | |
| 1821 | 2 | CALIPER BOOT | 414 | 1838 | 1 | CALIPER BOOT | 401 | 2248 | 1 | PIN BUSHING | 616 |
| 2054 | 2 | PIN BUSHING | 644 | 2250 | 1 | PIN BUSHING | 617 | 2273 | 1 | PIN BUSHING | 630 |
| RW-2974 | 2 | RETAINING RING | | 2315 | 1 | PIN BUSHING | 600 | 2306 | 1 | BOOT | 414 |
| 2229 | 1 | SEAL FOR GUIDE | 519 | 2322 | 1 | PIN BUSHING | 608 | 795 | 1 | BLEEDER CAP | 717 |
| 795 | 1 | BLEEDER CAP | 717 | 2364 | 1 | CAP | 731 | RW-2928 | 1 | RETAINING RING | |
| 4461-G Ø44 | | | 547 | 1 | SQUARE SECTION SEAL500 | | 4476-G Ø51 | | | | |
| 1266 | 4 | PISTON SEAL | 500 | 795 | 1 | BLEEDER CAP | 717 | 1279 | 1 | PISTON SEAL | 500 |
| 2369 | 4 | HARD CALIPER BOOT | 430 | 4469-G Ø50 | | | 2047 | 1 | BOOT | 633 | |
| 795 | 3 | BLEEDER CAP | 717 | 892 | 4 | PIN BUSHING | 622 | 2048 | 1 | PIN BUSHING | 627 |
| 1289 | 2 | SQUARE SECTION SEAL501 | | 1279 | 1 | PISTON SEAL | 500 | 548-A | 1 | SQUARE SECTION SEAL500 | |
| 4462-G Ø45 | | | 1839 | 1 | SEAL | 520 | 795 | 1 | BLEEDER CAP | 717 | |
| 1298 | 2 | PISTON SEAL | 500 | 1841 | 1 | BLEEDER CAP | 718 | RW-2928 | 1 | RETAINING RING | |
| 1876 | 2 | CALIPER BOOT | 414 | 534 | 1 | O-RING | 504 | | | | |
| 795 | 2 | BLEEDER CAP | 717 | 876 | 1 | CALIPER BOOT | 408 | | | | |
| RW-2974 | 2 | RETAINING RING | | | | | | | | | |
| 2215 | 1 | PIN BUSHING | 627 | | | | | | | | |
| 2270 | 1 | PIN BUSHING | 620 | | | | | | | | |



REPAIR KITS COMPOSITION



| | | | | | | | | |
|---------------|--------------------------|---------------|--------------------------|--------------------------|--------------|---------------|-------------------|-----|
| 4478-G | Ø51 | 4486-G | Ø54 | 4492-G | Ø57 | | | |
| 2049 | 2 BOOT | 608 | 2066 | 1 CALIPER BOOT | 416 | 1281 | 1 PISTON SEAL | 500 |
| 534 | 2 O-RING | 504 | 2216 | 1 PIN BUSHING | 616 | 1860 | 1 CALIPER BOOT | 609 |
| 1560 | 1 CALIPER BOOT | 400 | 2272 | 1 BOOT | 236 | 1861 | 1 CALIPER BOOT | 401 |
| 2256 | 1 PIN BUSHING | 627 | 549-B | 1 SQUARE SECTION SEAL500 | 795 | 2346 | 1 PIN BUSHING | 603 |
| 548-A | 1 SQUARE SECTION SEAL500 | 717 | 795 | 1 BLEEDER CAP | 717 | 2352 | 1 PIN BUSHING | 604 |
| 795 | 1 BLEEDER CAP | 717 | RW-2927 | 1 RETAINING RING | | 795 | 1 BLEEDER CAP | 717 |
| 4479-G | Ø51 | 4487-G | Ø54 | 4493-G | Ø15,9 | | | |
| 2350 | 2 PIN BUSHING | 651 | 2272 | 1 BOOT | 236 | 1397 | 1 SEAL | 1 |
| 1279 | 1 PISTON SEAL | 500 | 2331 | 1 BOOT | 401 | 1626 | 1 SEAL | 41 |
| 1524 | 1 CALIPER BOOT | 400 | 2345 | 1 PIN BUSHING | 632 | GP-18 | 1 SNAP RING | |
| 795 | 1 BLEEDER CAP | 717 | 2346 | 1 PIN BUSHING | 603 | 4494-G | Ø19 | |
| 4480-G | Ø51 | 549 | 1 SQUARE SECTION SEAL500 | | | 1521 | 1 CONNECTION SEAL | 705 |
| 1560 | 1 CALIPER BOOT | 400 | 795 | 1 BLEEDER CAP | 717 | 1704 | 1 SEAL | 28 |
| 2247 | 1 PIN BUSHING | 616 | RW-3050 | 1 CAP | | 1763 | 1 SEAL | 28 |
| 2322 | 1 PIN BUSHING | 608 | 4488-G | Ø54 | | 2329 | 1 PIN BUSHING | 308 |
| 2359 | 1 CAP | 730 | 2373 | 2 PIN BUSHING | 630 | GP-26 | 1 SNAP RING | |
| 548-A | 1 SQUARE SECTION SEAL500 | | 2227 | 1 SEAL FOR GUIDE | 518 | 4496-G | Ø41 | |
| 795 | 1 BLEEDER CAP | 717 | 549 | 1 SQUARE SECTION SEAL500 | | 1267 | 1 PISTON SEAL | 500 |
| 4481-G | Ø54 | 795 | 1 BLEEDER CAP | 717 | | 1876 | 1 CALIPER BOOT | 414 |
| 1885 | 2 PIN BUSHING | 604 | 8201 | 1 SEAL FOR GUIDE | 518 | 2273 | 1 PIN BUSHING | 630 |
| 549-B | 1 SQUARE SECTION SEAL500 | | 8253 | 1 BOOT | 400 | 2371 | 1 PIN BUSHING | 616 |
| 795 | 1 BLEEDER CAP | 717 | 4489-G | Ø57 | | 534 | 1 O-RING | 504 |
| 891 | 1 CALIPER BOOT | 401 | 2269 | 4 PIN BUSHING | 602 | 795 | 1 BLEEDER CAP | 717 |
| 4482-G | Ø54 | 1272 | 1 PISTON SEAL | 500 | | RW-2974 | 1 RETAINING RING | |
| 1289 | 2 SQUARE SECTION SEAL501 | | 1889 | 1 CALIPER BOOT | 414 | 4497-G | Ø60 | |
| 1571 | 2 CALIPER BOOT | 429 | 795 | 1 BLEEDER CAP | 717 | 1265 | 1 PISTON SEAL | 500 |
| 549-B | 2 SQUARE SECTION SEAL500 | | RW-2927 | 1 RETAINING RING | | 1860 | 1 CALIPER BOOT | 609 |
| 795 | 1 BLEEDER CAP | 717 | 4490-G | Ø57 | | 1889 | 1 CALIPER BOOT | 414 |
| 4483-G | Ø54 | 1272 | 1 PISTON SEAL | 500 | | 2215 | 1 PIN BUSHING | 627 |
| 1573 | 2 BOOT | 510 | 1873 | 1 CALIPER BOOT | 400 | 795 | 1 BLEEDER CAP | 717 |
| 549-B | 2 SQUARE SECTION SEAL500 | | 2250 | 1 PIN BUSHING | 617 | RW-2927 | 1 RETAINING RING | |
| RW-2984 | 2 BOOT PROTECTOR | | 2322 | 1 PIN BUSHING | 608 | 4498-G | Ø60 | |
| 1909 | 1 SQUARE SECTION SEAL501 | | 2359 | 1 CAP | 730 | 1265 | 2 PISTON SEAL | 500 |
| 795 | 1 BLEEDER CAP | 717 | 795 | 1 BLEEDER CAP | 717 | 2244 | 2 BOOT | 400 |
| 4484-G | Ø54 | 4491-G | Ø57 | | | 2260 | 2 PIN BUSHING | 637 |
| 1885 | 2 PIN BUSHING | 604 | 1272 | 1 PISTON SEAL | 500 | 795 | 1 BLEEDER CAP | 717 |
| 1518 | 1 CALIPER BOOT | 400 | 2027 | 1 CALIPER BOOT | 414 | 4499-G | Ø68 | |
| 2227 | 1 SEAL FOR GUIDE | 518 | 2215 | 1 PIN BUSHING | 627 | 1264 | 2 PISTON SEAL | 500 |
| 549 | 1 SQUARE SECTION SEAL500 | | 2272 | 1 BOOT | 236 | 2260 | 2 PIN BUSHING | 637 |
| 795 | 1 BLEEDER CAP | 717 | 795 | 1 BLEEDER CAP | 717 | 2343 | 2 BOOT | 400 |
| 4485-G | Ø54 | RW-2933 | 1 RETAINING RING | | | 795 | 1 BLEEDER CAP | 717 |
| 2033 | 2 VALVE SEAT | 512 | RW-3050 | 1 CAP | | | | |
| 2219 | 2 BOOT | 438 | | | | | | |
| 549-B | 2 SQUARE SECTION SEAL500 | | | | | | | |
| 795 | 1 BLEEDER CAP | 717 | | | | | | |



REPAIR KITS COMPOSITION

| | | | | | |
|----------------|-----------------------|----------------|-------------------|-----------------------|----------------|
| 4500-G | Ø68 | 4507-G | Ø60 | 4517-G | Ø34 |
| 1264 | 2 PISTON SEAL | 500 | 1265 | 2 PISTON SEAL | 500 |
| 2260 | 2 PIN BUSHING | 637 | 2365 | 2 BOOT | 401 |
| 2343 | 2 BOOT | 400 | 795 | 1 BLEEDER CAP | 717 |
| 1925 | 1 PISTON SEAL | 500 | 4508-G | Ø54 | 2091 |
| 2410 | 1 O-RING | 504 | 2370 | 1 BOOT | 413 |
| 668-A | 1 SEAL | 32 | 534 | 1 O-RING | 504 |
| 795 | 1 BLEEDER CAP | 717 | 549-B | 1 SQUARE SECTION SEAL | 500 |
| 851 | 1 O-RING | 504 | 795 | 1 BLEEDER CAP | 717 |
| 4501-G | Ø54 | RW-2928 | 1 RETAINING RING | 80027 | 1 O-RING |
| 2348 | 2 PIN BUSHING | 601 | 4509-G | Ø30 | 8205 |
| 2027 | 1 CALIPER BOOT | 414 | 1547 | 2 PIN BUSHING | 604 |
| 2349 | 1 SEAL FOR GUIDE | 519 | 1271 | 1 PISTON SEAL | 500 |
| 549-B | 1 SQUARE SECTION SEAL | 500 | 1531 | 1 CALIPER BOOT | 400 |
| 795 | 1 BLEEDER CAP | 717 | 1841 | 1 BLEEDER CAP | 718 |
| RW-2933 | 1 RETAINING RING | 4510-G | Ø40 | 1569 | 2 BOOT |
| 4502-G | Ø54 | 1895 | 2 PLASTIC CAP | 723 | 1268 |
| 2350 | 2 PIN BUSHING | 651 | 1268 | 1 PISTON SEAL | 500 |
| 2331 | 1 BOOT | 401 | 1841 | 1 BLEEDER CAP | 718 |
| 549 | 1 SQUARE SECTION SEAL | 500 | 2377 | 1 BOOT | 434 |
| 795 | 1 BLEEDER CAP | 717 | 4511-G | Ø43 | 1297 |
| 4503-G | Ø54 | 2247 | 1 PIN BUSHING | 616 | 1890 |
| 2322 | 1 PIN BUSHING | 608 | 2322 | 1 PIN BUSHING | 608 |
| 2359 | 1 CAP | 730 | 2359 | 1 CAP | 730 |
| 549-B | 1 SQUARE SECTION SEAL | 500 | 795 | 1 BLEEDER CAP | 717 |
| 795 | 1 BLEEDER CAP | 717 | 8253 | 1 BOOT | 400 |
| 4504-G | Ø58 | 4512-G | Ø54 | 2027 | 1 CALIPER BOOT |
| 1272 | 2 PISTON SEAL | 500 | 2273 | 1 PIN BUSHING | 630 |
| 2260 | 2 PIN BUSHING | 637 | 2371 | 1 PIN BUSHING | 616 |
| 2388 | 2 BOOT | 400 | 549-B | 1 SQUARE SECTION SEAL | 500 |
| 795 | 1 BLEEDER CAP | 717 | 795 | 1 BLEEDER CAP | 717 |
| 4505-G | Ø60 | RW-2933 | 1 RETAINING RING | 4513-G | Ø14,3 |
| 1296 | 1 PISTON SEAL | 500 | 1710 | 2 SEAL | 28 |
| 1889 | 1 CALIPER BOOT | 414 | 1836 | 2 BOOT | 257 |
| 2215 | 1 PIN BUSHING | 627 | 795 | 1 BLEEDER CAP | 717 |
| 2270 | 1 PIN BUSHING | 620 | 4514-G | Ø17,5 | 602 |
| 2359 | 1 CAP | 730 | 704 | 2 BOOT | 212 |
| 795 | 1 BLEEDER CAP | 717 | 795 | 1 BLEEDER CAP | 717 |
| RW-2927 | 1 RETAINING RING | 4515-G | Ø17,5 | 1453 | 2 SEAL |
| 4506-G | Ø60 | 1296 | 1 PISTON SEAL | 500 | 2112 |
| 1512 | 1 CALIPER BOOT | 400 | 1512 | 2 SEAL | 54 |
| 2250 | 1 PIN BUSHING | 617 | 82029 | 2 WASHER | |
| 2322 | 1 PIN BUSHING | 608 | 1614 | 1 SEAL | 39 |
| 2359 | 1 CAP | 730 | GP-23 | 1 SNAP RING | |
| 795 | 1 BLEEDER CAP | 717 | GP-27 | 1 SNAP RING | |
| 4507-G | Ø60 | 4508-G | Ø54 | 4518-G | Ø38 |
| 1265 | 2 PISTON SEAL | 500 | 2370 | 1 BOOT | 413 |
| 2365 | 2 BOOT | 401 | 534 | 1 O-RING | 504 |
| 795 | 1 BLEEDER CAP | 717 | 549-B | 1 SQUARE SECTION SEAL | 500 |
| 4508-G | Ø54 | 795 | 1 BLEEDER CAP | 717 | 80027 |
| 2370 | 1 BOOT | 413 | RW-2928 | 1 RETAINING RING | 8205 |
| 534 | 1 O-RING | 504 | 4509-G | Ø30 | 8064 |
| 549-B | 1 SQUARE SECTION SEAL | 500 | 1547 | 2 PIN BUSHING | 604 |
| 795 | 1 BLEEDER CAP | 717 | 1271 | 1 PISTON SEAL | 500 |
| RW-2928 | 1 RETAINING RING | 4510-G | Ø40 | 1531 | 1 CALIPER BOOT |
| 4509-G | Ø30 | 1841 | 1 BLEEDER CAP | 718 | 1841 |
| 1547 | 2 PIN BUSHING | 604 | 4511-G | Ø43 | 1297 |
| 1271 | 1 PISTON SEAL | 500 | 1890 | 2 CALIPER BOOT | 400 |
| 1531 | 1 CALIPER BOOT | 400 | 2373 | 2 PIN BUSHING | 630 |
| 1841 | 1 BLEEDER CAP | 718 | 795 | 1 BLEEDER CAP | 717 |
| 4510-G | Ø40 | 4512-G | Ø54 | 4513-G | Ø14,3 |
| 1569 | 2 BOOT | 619 | 2027 | 1 CALIPER BOOT | 414 |
| 1895 | 2 PLASTIC CAP | 723 | 2273 | 1 PIN BUSHING | 630 |
| 1268 | 1 PISTON SEAL | 500 | 2371 | 1 PIN BUSHING | 616 |
| 1841 | 1 BLEEDER CAP | 718 | 549-B | 1 SQUARE SECTION SEAL | 500 |
| 2377 | 1 BOOT | 434 | 795 | 1 BLEEDER CAP | 717 |
| 4511-G | Ø43 | 4514-G | Ø17,5 | 4515-G | Ø17,5 |
| 1297 | 2 PISTON SEAL | 500 | 602 | 2 SEAL | 9 |
| 1890 | 2 CALIPER BOOT | 400 | 704 | 2 BOOT | 212 |
| 2373 | 2 PIN BUSHING | 630 | 795 | 1 BLEEDER CAP | 717 |
| 795 | 1 BLEEDER CAP | 717 | 4512-G | Ø54 | 1710 |
| 4512-G | Ø54 | 2027 | 1 CALIPER BOOT | 414 | 1836 |
| 2027 | 1 CALIPER BOOT | 414 | 2273 | 1 PIN BUSHING | 630 |
| 2273 | 1 PIN BUSHING | 630 | 2371 | 1 PIN BUSHING | 616 |
| 2371 | 1 PIN BUSHING | 616 | 549-B | 1 SQUARE SECTION SEAL | 500 |
| 549-B | 1 SQUARE SECTION SEAL | 500 | 795 | 1 BLEEDER CAP | 717 |
| 795 | 1 BLEEDER CAP | 717 | RW-2933 | 1 RETAINING RING | 4513-G |
| RW-2933 | 1 RETAINING RING | 4513-G | Ø14,3 | 1710 | 2 SEAL |
| 4513-G | Ø14,3 | 1836 | 2 BOOT | 257 | 795 |
| 1710 | 2 SEAL | 28 | 795 | 1 BLEEDER CAP | 717 |
| 1836 | 2 BOOT | 257 | 4514-G | Ø17,5 | 602 |
| 795 | 1 BLEEDER CAP | 717 | 602 | 2 SEAL | 9 |
| 4514-G | Ø17,5 | 704 | 2 BOOT | 212 | 704 |
| 602 | 2 SEAL | 9 | 795 | 1 BLEEDER CAP | 717 |
| 704 | 2 BOOT | 212 | 4515-G | Ø17,5 | 1728 |
| 795 | 1 BLEEDER CAP | 717 | 1728 | 2 SEAL | 32 |
| 4515-G | Ø17,5 | C-796 | 2 BOOT | 204 | 795 |
| 1728 | 2 SEAL | 32 | 795 | 1 BLEEDER CAP | 717 |
| C-796 | 2 BOOT | 204 | 4517-G | Ø34 | 2335 |
| 795 | 1 BLEEDER CAP | 717 | 2335 | 2 PIN BUSHING | 625 |
| 4517-G | Ø34 | 2335 | 2 PIN BUSHING | 625 | 1295 |
| 2335 | 2 PIN BUSHING | 625 | 1295 | 1 PISTON SEAL | 500 |
| 1295 | 1 PISTON SEAL | 500 | 1718 | 1 SEAL | 32 |
| 1718 | 1 SEAL | 32 | 2091 | 1 SEAL FOR GUIDE | 515 |
| 2091 | 1 SEAL FOR GUIDE | 515 | 2224 | 1 RETAINER SEAL | 719 |
| 2224 | 1 RETAINER SEAL | 719 | 2367 | 1 RETAINER SEAL | 719 |
| 2367 | 1 RETAINER SEAL | 719 | 2379 | 1 BOOT | 443 |
| 2379 | 1 BOOT | 443 | 795 | 1 BLEEDER CAP | 717 |
| 795 | 1 BLEEDER CAP | 717 | 80027 | 1 O-RING | 65 |
| 80027 | 1 O-RING | 65 | 8205 | 1 O-RING | 504 |
| 8205 | 1 O-RING | 504 | 4518-G | Ø38 | 8064 |
| 4518-G | Ø38 | 8064 | 2 PIN BUSHING | 625 | 1718 |
| 8064 | 2 PIN BUSHING | 625 | 1718 | 1 SEAL | 32 |
| 1718 | 1 SEAL | 32 | 1905 | 1 PISTON SEAL | 500 |
| 1905 | 1 PISTON SEAL | 500 | 2091 | 1 SEAL FOR GUIDE | 515 |
| 2091 | 1 SEAL FOR GUIDE | 515 | 2367 | 1 RETAINER SEAL | 719 |
| 2367 | 1 RETAINER SEAL | 719 | 2379 | 1 BOOT | 443 |
| 2379 | 1 BOOT | 443 | 795 | 1 BLEEDER CAP | 717 |
| 795 | 1 BLEEDER CAP | 717 | 8205 | 1 O-RING | 504 |
| 8205 | 1 O-RING | 504 | 4519-G | Ø36 | 8064 |
| 4519-G | Ø36 | 8064 | 2 PIN BUSHING | 625 | 1270 |
| 8064 | 2 PIN BUSHING | 625 | 1270 | 1 PISTON SEAL | 500 |
| 1270 | 1 PISTON SEAL | 500 | 1718 | 1 SEAL | 32 |
| 1718 | 1 SEAL | 32 | 2091 | 1 SEAL FOR GUIDE | 515 |
| 2091 | 1 SEAL FOR GUIDE | 515 | 2224 | 1 RETAINER SEAL | 719 |
| 2224 | 1 RETAINER SEAL | 719 | 2367 | 1 RETAINER SEAL | 719 |
| 2367 | 1 RETAINER SEAL | 719 | 2379 | 1 BOOT | 443 |
| 2379 | 1 BOOT | 443 | 795 | 1 BLEEDER CAP | 717 |
| 795 | 1 BLEEDER CAP | 717 | 80027 | 1 O-RING | 65 |
| 80027 | 1 O-RING | 65 | 4520-G | Ø22,2 | 1696 |
| 4520-G | Ø22,2 | 1696 | 1 SEAL | 29 | 2385 |
| 1696 | 1 SEAL | 29 | 2385 | 1 PIN BUSHING | 313 |
| 2385 | 1 PIN BUSHING | 313 | 795 | 1 BLEEDER CAP | 717 |
| 795 | 1 BLEEDER CAP | 717 | 4521-G | Ø15,9 | 1521 |
| 4521-G | Ø15,9 | 1521 | 1 CONNECTION SEAL | 705 | 1709 |
| 1521 | 1 CONNECTION SEAL | 705 | 1709 | 1 SEAL | 28 |
| 1709 | 1 SEAL | 28 | 1833 | 1 PIN BUSHING | 310 |
| 1833 | 1 PIN BUSHING | 310 | 80049 | 1 O-RING | 65 |
| 80049 | 1 O-RING | 65 | GP-27 | 1 SNAP RING | |
| GP-27 | 1 SNAP RING | 4522-G | Ø20,6 | 1453 | 2 SEAL |
| 4522-G | Ø20,6 | 1453 | 2 SEAL | 24 | 2112 |
| 1453 | 2 SEAL | 24 | 2112 | 2 SEAL | 54 |
| 2112 | 2 SEAL | 54 | 82029 | 2 WASHER | |
| 82029 | 2 WASHER | | 1614 | 1 SEAL | 39 |
| 1614 | 1 SEAL | 39 | GP-23 | 1 SNAP RING | |
| GP-23 | 1 SNAP RING | | | | |



REPAIR KITS COMPOSITION

| | | | | | | | | |
|---------------|-----------------------|---------------|---------------|-------------------|---------------|------------------|------------------|-----|
| 4523-G | Ø25,4 | 4530-G | Ø25,4 | 4538-G | Ø19 | | | |
| 1726 | 1 SEAL | 28 | 1307 | 1 VALVE SEAT | 811 | | | |
| 2386 | 1 PIN BUSHING | 302 | 1736 | 1 SEAL | 14 | | | |
| 795 | 1 BLEEDER CAP | 717 | 2177 | 1 SEAL | 54 | | | |
| 4524-G | Ø22,2 | 82043 | 1 WASHER | 82017 | 1 WASHER | | | |
| 1619 | 2 SEAL | 54 | GP-30 | 1 SNAP RING | GP-25 | 1 SNAP RING | | |
| 2299 | 2 CONNECTION SEAL | 703 | 4531-G | Ø23,8 | 4539-G | Ø23,8 | | |
| 82029 | 2 WASHER | | 1245 | 2 SEAL | 32 | 1435 | 2 SEAL | 24 |
| 1602 | 1 SEAL | 48 | 1660 | 2 SEAL | 54 | 704 | 2 BOOT | 212 |
| 1691 | 1 SEAL | 21 | 82047 | 2 WASHER | | 795 | 1 BLEEDER CAP | 717 |
| GP-25 | 1 SNAP RING | | 4532-G | Ø25,4 | 4540-G | Ø20,6 | | |
| 4525-G | Ø58 | 1368 | 2 SEAL | 56 | 1538 | 1 PIN BUSHING | 307 | |
| 1272 | 2 PISTON SEAL | 500 | 1445 | 2 SEAL | 45 | 1613 | 1 SEAL | 40 |
| 1925 | 2 PISTON SEAL | 500 | 649 | 2 SEAL | 27 | 1614 | 1 SEAL | 39 |
| 2260 | 2 PIN BUSHING | 637 | 82061 | 2 WASHER | | 795 | 1 BLEEDER CAP | 717 |
| 2388 | 2 BOOT | 400 | 694 | 1 PISTON SEAL | 500 | 4541-G | Ø19 | |
| 2410 | 1 O-RING | 504 | 82092 | 1 PLASTIC WASHER | | 1484 | 1 SEAL | 36 |
| 668-A | 1 SEAL | 32 | GP-28 | 1 SNAP RING | | 1538 | 1 PIN BUSHING | 307 |
| 795 | 1 BLEEDER CAP | 717 | 4533-G | Ø23,8 | 2120 | 1 SEAL | 37 | |
| 8205 | 1 O-RING | 504 | 1245 | 2 SEAL | 32 | 795 | 1 BLEEDER CAP | 717 |
| 851 | 1 O-RING | 504 | 1660 | 2 SEAL | 54 | 4542-G | Ø25,4 | |
| 4526-G | Ø25,4 | 534 | 1 O-RING | 504 | 1358 | 2 SEAL | 54 | |
| 2177 | 2 SEAL | 54 | 4534-G | Ø23,8 | 1368 | 2 SEAL | 56 | |
| 82043 | 2 WASHER | | 1661 | 2 SEAL | 54 | 1664 | 2 SEAL | 38 |
| 1445 | 1 SEAL | 45 | 82047 | 2 WASHER | | 694 | 1 PISTON SEAL | 500 |
| 4527-G | Ø25,4 | 1245 | 1 SEAL | 32 | 4543-G | Ø43 | | |
| 1445 | 2 SEAL | 45 | 1412 | 1 SEAL | 24 | 1851 | 2 PIN BUSHING | 602 |
| 2177 | 2 SEAL | 54 | GP-32 | 1 SNAP RING | | 1266 | 1 PISTON SEAL | 500 |
| 1736 | 1 SEAL | 14 | 4535-G | Ø25,4 | 1821 | 1 CALIPER BOOT | 414 | |
| 80000 | 1 O-RING | 65 | 1411 | 2 SEAL | 32 | 1853 | 1 PIN BUSHING | 652 |
| 4528-G | Ø32 | 2316 | 1 PIN BUSHING | 301 | 2359 | 1 CAP | 730 | |
| 1916 | 1 PISTON SEAL | 500 | 795 | 1 BLEEDER CAP | 717 | 795 | 1 BLEEDER CAP | 717 |
| 2057 | 1 PIN BUSHING | 605 | 4536-G | Ø20,6 | RW-2974 | 1 RETAINING RING | | |
| 2058 | 1 PIN BUSHING | 610 | 1670 | 2 SEAL | 54 | 4544-G | Ø38 | |
| 2225 | 1 RETAINER SEAL | 728 | 1471 | 1 SEAL | 32 | 1851 | 2 PIN BUSHING | 602 |
| 2325 | 1 BOOT | 401 | 1635 | 1 SEAL | 14 | 1821 | 1 CALIPER BOOT | 414 |
| 795 | 1 BLEEDER CAP | 717 | 2078 | 1 PIN BUSHING | 263 | 1853 | 1 PIN BUSHING | 652 |
| 80023 | 1 O-RING | 65 | GP-22 | 1 SNAP RING | | 1905 | 1 PISTON SEAL | 500 |
| 8170 | 1 PLASTIC CAP | 746 | 4537-G | Ø20,6 | 2359 | 1 CAP | 730 | |
| 4529-G | Ø44 | 1670 | 2 SEAL | 54 | 795 | 1 BLEEDER CAP | 717 | |
| 1266 | 4 PISTON SEAL | 500 | 2299 | 2 CONNECTION SEAL | 703 | RW-2974 | 1 RETAINING RING | |
| 2277 | 4 BOOT | 420 | 1614 | 1 SEAL | 39 | | | |
| RW-2926 | 4 RETAINING RING | | 1671 | 1 SEAL | 39 | | | |
| 1289 | 2 SQUARE SECTION SEAL | 501 | 80030 | 1 O-RING | 65 | | | |
| 795 | 2 BLEEDER CAP | 717 | GP-23 | 1 SNAP RING | | | | |



REPAIR KITS COMPOSITION

| | | | | | | |
|---------------|--------------------------|---------------|---------------|--------------------------|---------------|--------------|
| 4545-G | Ø38 | 4552-G | Ø54 | 4560-G | Ø25,4 | |
| 1876 | 1 CALIPER BOOT | 414 | 2062 | 2 PIN BUSHING | 604 | |
| 1905 | 1 PISTON SEAL | 500 | 2453 | 2 PIN BUSHING | 608 | |
| 2061 | 1 PIN BUSHING | 627 | RW-3007 | 2 BOOT PROTECTOR | | |
| 2273 | 1 PIN BUSHING | 630 | 1829 | 1 CALIPER BOOT | 401 | |
| 795 | 1 BLEEDER CAP | 717 | 1841 | 1 BLEEDER CAP | 718 | |
| RW-2974 | 1 RETAINING RING | | 549 | 1 SQUARE SECTION SEAL500 | | |
| RW-3050 | 1 CAP | | | | | |
| 4546-G | Ø52 | 4553-G | Ø28,6 | 4561-G | Ø25,4 | |
| 2336 | 2 PIN BUSHING | 625 | 2117 | 2 SEAL | 29 | |
| 2215 | 1 PIN BUSHING | 627 | 2178 | 2 SEAL | 54 | |
| 2376 | 1 BOOT | 433 | 80005 | 1 O-RING | 65 | |
| 548-A | 1 SQUARE SECTION SEAL500 | | GP-30 | 1 SNAP RING | | |
| 795 | 1 BLEEDER CAP | 717 | | | | |
| 4547-G | Ø48 | 4554-G | Ø17,5 | 4562-G | Ø43 | |
| 2383 | 4 PIN BUSHING | 602 | 1406 | 3 SEAL | 24 | |
| 1530 | 1 CALIPER BOOT | 416 | 1307 | 2 VALVE SEAT | 811 | |
| 547 | 1 SQUARE SECTION SEAL500 | | 2179 | 2 SEAL | 54 | |
| 795 | 1 BLEEDER CAP | 717 | 795 | 2 BLEEDER CAP | 717 | |
| RW-2928 | 1 RETAINING RING | | 2297 | 1 BOOT | 256 | |
| | | | GP-24 | 1 SNAP RING | | |
| 4548-G | Ø43 | 4555-G | Ø15,9 | 4563-G | Ø51 | |
| 1266 | 2 PISTON SEAL | 500 | 1429 | 2 SEAL | 24 | |
| 1821 | 2 CALIPER BOOT | 414 | 2394 | 2 BOOT | 233 | |
| 2043 | 2 PIN BUSHING | 620 | 795 | 1 BLEEDER CAP | 717 | |
| RW-2974 | 2 RETAINING RING | | | | | |
| 2351 | 1 SEAL FOR GUIDE | 519 | 4556-G | Ø17,5 | 4564-G | Ø36 |
| 795 | 1 BLEEDER CAP | 717 | 1431 | 2 SEAL | 24 | |
| | | | 2394 | 2 BOOT | 233 | |
| 4549-G | Ø51 | 4557-G | Ø22,2 | 795 | 1 BLEEDER CAP | 717 |
| 1853 | 1 PIN BUSHING | 652 | 1643 | 1 SEAL | 42 | |
| 2027 | 1 CALIPER BOOT | 414 | 795 | 1 BLEEDER CAP | 717 | |
| 2061 | 1 PIN BUSHING | 627 | 898 | 1 PIN BUSHING | 320 | |
| 548-A | 1 SQUARE SECTION SEAL500 | | GP-1007 | 1 SNAP RING | | |
| 795 | 1 BLEEDER CAP | 717 | | | | |
| RW-2928 | 1 RETAINING RING | | 4558-G | Ø23,8 | 4565-G | Ø60 |
| 4550-G | Ø19 | 4559-G | Ø23,8 | 1569 | 2 BOOT | 619 |
| 2174 | 2 SEAL | 54 | 1487 | 2 SEAL | 29 | |
| 82017 | 2 WASHER | | 1762 | 2 VALVE (WITHOUT SLOTS) | 805 | |
| 1371 | 1 SEAL | 14 | 2170 | 2 SEAL | 54 | |
| 1412 | 1 SEAL | 24 | 82047 | 2 WASHER | | |
| 823 | 1 BOOT | 254 | 2183 | 1 SEAL | 14 | |
| GP-21 | 1 SNAP RING | | 824 | 1 BOOT | 255 | |
| | | | GP-26 | 1 SNAP RING | | |
| 4551-G | Ø28,6 | | | | | |
| 2114 | 2 SEAL | 32 | 4566-G | Ø63 | 4567-G | Ø17,5 |
| 2176 | 2 SEAL | 54 | 1924 | 4 PISTON SEAL | 506 | |
| GP-32 | 1 SNAP RING | | 2375 | 4 BOOT | 430 | |
| | | | 795 | 1 BLEEDER CAP | 717 | |
| | | | | | | |
| | | | 1525 | 2 BOOT | 209 | |
| | | | 1719 | 2 SEAL | 39 | |
| | | | 795 | 1 BLEEDER CAP | 717 | |



REPAIR KITS COMPOSITION



| | | | | | | | | | | | | | | | |
|----------------|-------------------|----------------|--------------------------|-------------------|---------------|--------------------------|--------------------------|--------------------------|--------------------------|--------------------------|--------------------------|--------------------------|---------------|---------------|--------------|
| 4568-G | Ø19 | 4576-G | Ø32 | 4583-G | Ø54 | | | | | | | | | | |
| 1525 | 2 BOOT | 209 | 2314 | 2 PIN BUSHING | 608 | | | | | | | | | | |
| 1761 | 2 SEAL | 36 | 1916 | 1 PISTON SEAL | 500 | | | | | | | | | | |
| 795 | 1 BLEEDER CAP | 717 | 2257 | 1 PIN BUSHING | 627 | | | | | | | | | | |
| 4569-G | Ø14,3 | 2441 | 1 BOOT | 440 | 4584-G | Ø23,8 | | | | | | | | | |
| 1748 | 2 SEAL | 32 | 795 | 1 BLEEDER CAP | 717 | 1695 | 2 SEAL | 39 | | | | | | | |
| 2394 | 2 BOOT | 233 | RW-2930 | 1 RETAINING RING | 2400 | 2 BOOT | 236 | | | | | | | | |
| 795 | 1 BLEEDER CAP | 717 | 4577-G | Ø19 | 795 | 1 BLEEDER CAP | 717 | | | | | | | | |
| 4570-G | Ø25,4 | 2173 | 2 SEAL | 54 | 4585-G | Ø17,5 | | | | | | | | | |
| 1365 | 3 SEAL | 29 | 82031 | 2 WASHER | 2185 | 2 SEAL | 26 | | | | | | | | |
| 791 | 2 CONNECTION SEAL | 702 | 1679 | 1 SEAL | 2194 | 2 SEAL | 54 | | | | | | | | |
| 1297 | 1 PISTON SEAL | 500 | 2120 | 1 SEAL | 37 | 82011 | 2 WASHER | | | | | | | | |
| 2104 | 1 SEAL | 65 | GP-22 | 1 SNAP RING | 4578-G | Ø43 | 821 | 1 BOOT | 254 | | | | | | |
| GP-37 | 1 SNAP RING | 4571-G | Ø15,9 | 1297 | 2 PISTON SEAL | 500 | 4587-G | Ø22,2 | | | | | | | |
| 1625 | 1 SEAL | 29 | 1625 | 1 SEAL | 29 | 2401 | 2 BOOT | 422 | 1608 | 2 SEAL | 54 | | | | |
| 1871 | 1 PIN BUSHING | 307 | 1871 | 1 PIN BUSHING | 307 | RW-2921 | 2 RETAINING RING | 795 | 1 BLEEDER CAP | 717 | 1656 | 2 SEAL | 29 | | |
| 2119 | 1 SEAL | 37 | 2119 | 1 SEAL | 37 | 4579-G | Ø54 | 4588-G | Ø54 | | | | | | |
| 791-A | 1 CONNECTION SEAL | 707 | 791-A | 1 CONNECTION SEAL | 707 | 2405 | 2 PIN BUSHING | 603 | 1518 | 2 CALIPER BOOT | 400 | | | | |
| 82083 | 1 WASHER | | 82083 | 1 WASHER | | 2402 | 1 BOOT | 401 | 549 | 2 SQUARE SECTION SEAL500 | | | | | |
| GP-21 | 1 SNAP RING | 4572-G | Ø17,5 | 2403 | 1 PIN BUSHING | 604 | 549-B | 1 SQUARE SECTION SEAL500 | 795 | 1 BLEEDER CAP | 717 | 795 | 1 BLEEDER CAP | 717 | |
| 2180 | 2 SEAL | 54 | 2180 | 2 SEAL | 54 | 4580-G | Ø38 | 4589-G | Ø19 | | | | | | |
| 82083 | 2 WASHER | | 82083 | 2 WASHER | | 1595 | 1 BOOT | 414 | 603 | 2 SEAL | 9 | | | | |
| 1406 | 1 SEAL | 24 | 1406 | 1 SEAL | 24 | 1905 | 1 PISTON SEAL | 500 | 748 | 2 BOOT | 203 | | | | |
| 1431 | 1 SEAL | 24 | 1431 | 1 SEAL | 24 | 2407 | 1 PIN BUSHING | 630 | 795 | 1 BLEEDER CAP | 717 | | | | |
| 823 | 1 BOOT | 254 | 823 | 1 BOOT | 254 | 2409 | 1 PIN BUSHING | 610 | 4590-G | Ø15,9 | | | | | |
| GP-19 | 1 SNAP RING | 4573-G | Ø44 | 534 | 1 O-RING | 504 | 795 | 1 BLEEDER CAP | 717 | 1236 | 1 SEAL | 32 | | | |
| 1266 | 2 PISTON SEAL | 500 | 1266 | 2 PISTON SEAL | 500 | RW-2989 | 1 RETAINING RING | 4581-G | Ø43 | 800 | 1 BOOT | 251 | | | |
| 2062 | 2 PIN BUSHING | 604 | 2062 | 2 PIN BUSHING | 604 | 1266 | 2 PISTON SEAL | 500 | 1150 | 1 VALVE | 808 | | | | |
| 2209 | 2 BOOT | 439 | 2209 | 2 BOOT | 439 | 1821 | 2 CALIPER BOOT | 414 | 510 | 1 SEAL | 13 | | | | |
| 795 | 1 BLEEDER CAP | 717 | 795 | 1 BLEEDER CAP | 717 | RW-2974 | 2 RETAINING RING | 2215 | 1 PIN BUSHING | 627 | 560 | 1 SEAL | 1 | | |
| 4574-G | Ø48 | 2222 | 2 PIN BUSHING | 611 | 547 | 1 SQUARE SECTION SEAL500 | 795 | 1 BLEEDER CAP | 717 | 810 | 1 PIN BUSHING | 301 | 4591-G | Ø25,4 | |
| 795 | 1 BLEEDER CAP | 717 | 795 | 1 BLEEDER CAP | 717 | 890 | 1 CALIPER BOOT | 406 | 4592-G | Ø40 | | | | | |
| RW-2932 | 1 RETAINING RING | 4575-G | Ø57 | 1268 | 2 PISTON SEAL | 500 | 1555 | 2 CALIPER BOOT | 419 | 1932 | 2 SQUARE SECTION SEAL501 | | | | |
| 1272 | 1 PISTON SEAL | 500 | 1272 | 1 PISTON SEAL | 500 | 1932 | 2 SQUARE SECTION SEAL501 | | RW-3000 | 2 RETAINING RING | 795 | 1 BLEEDER CAP | 717 | 4593-G | Ø12,5 |
| 1860 | 1 CALIPER BOOT | 609 | 1860 | 1 CALIPER BOOT | 609 | RW-3050 | 1 CAP | 2027 | 1 CALIPER BOOT | 414 | 1928 | 1 SQUARE SECTION SEAL501 | | | |
| 2027 | 1 CALIPER BOOT | 414 | 2027 | 1 CALIPER BOOT | 414 | 2027 | 1 CALIPER BOOT | 414 | 2215 | 1 PIN BUSHING | 627 | 681-A | 1 SEAL | 508 | |
| 2215 | 1 PIN BUSHING | 627 | 2215 | 1 PIN BUSHING | 627 | 2364 | 1 CAP | 731 | 2364 | 1 CAP | 731 | 681-B | 1 SEAL | 508 | |
| 795 | 1 BLEEDER CAP | 717 | 795 | 1 BLEEDER CAP | 717 | 2404 | 1 PIN BUSHING | 609 | 549 | 1 SQUARE SECTION SEAL500 | | | | | |
| RW-2928 | 1 RETAINING RING | 4582-G | Ø54 | 795 | 1 BLEEDER CAP | 717 | 2404 | 1 PIN BUSHING | 609 | 795 | 1 BLEEDER CAP | 717 | | | |
| | | 2027 | 1 CALIPER BOOT | 414 | 2215 | 1 PIN BUSHING | 627 | 549 | 1 SQUARE SECTION SEAL500 | | | | | | |
| | | 2215 | 1 PIN BUSHING | 627 | 2364 | 1 CAP | 731 | 795 | 1 BLEEDER CAP | 717 | | | | | |
| | | 2364 | 1 CAP | 731 | 2404 | 1 PIN BUSHING | 609 | RW-2928 | 1 RETAINING RING | | | | | | |
| | | 549 | 1 SQUARE SECTION SEAL500 | | 795 | 1 BLEEDER CAP | 717 | | | | | | | | |
| | | 795 | 1 BLEEDER CAP | 717 | | | | | | | | | | | |
| | | RW-2928 | 1 RETAINING RING | | | | | | | | | | | | |



REPAIR KITS COMPOSITION

| | | | | | |
|---------------|--------------------------|---------------|---------------|--------------------------|---------------|
| 4594-G | Ø19 | 4602-G | Ø22,2 | 4611-G | Ø19 |
| 1376 | 1 SEAL | 18 | 2566-R | 2 SEAL | 35 |
| 1377 | 1 SEAL | 19 | 703 | 2 BOOT | 200 |
| 897 | 1 BOOT | 256 | 795 | 1 BLEEDER CAP | 717 |
| 4595-G | Ø51 | 4603-G | Ø28,6 | 4612-G | Ø57 |
| 2220 | 1 PIN BUSHING | 612 | 1750 | 2 SEAL | 41 |
| 2364 | 1 CAP | 731 | 2422 | 2 BOOT | 218 |
| 2419 | 1 BOOT | 441 | 795 | 1 BLEEDER CAP | 717 |
| 691 | 1 PISTON SEAL | 500 | 4604-G | Ø17,5 | 4612-G |
| 795 | 1 BLEEDER CAP | 717 | 1240 | 2 SEAL | 32 |
| RW-2925 | 1 RETAINING RING | | 629 | 2 SEAL | 32 |
| 4596-G | Ø60 | 4605-G | Ø38 | 4613-G | Ø54 |
| 1296 | 1 PISTON SEAL | 500 | 1238 | 1 SEAL | 521 |
| 1889 | 1 CALIPER BOOT | 414 | 694 | 1 PISTON SEAL | 500 |
| 2215 | 1 PIN BUSHING | 627 | GP-25 | 1 SNAP RING | |
| 2345 | 1 PIN BUSHING | 632 | 4605-G | Ø38 | 4613-G |
| 795 | 1 BLEEDER CAP | 717 | 1932 | 2 SQUARE SECTION SEAL500 | 616 |
| RW-2933 | 1 RETAINING RING | | 2424 | 2 SEAL | 419 |
| 4597-G | Ø34 | 4606-G | Ø57 | 4614-G | Ø22,2 |
| 2043 | 2 PIN BUSHING | 620 | 546-A | 2 SQUARE SECTION SEAL500 | 1161 |
| 1595 | 1 BOOT | 414 | RW-2922 | 2 RETAINING RING | 1386 |
| 2211 | 1 RETAINER SEAL | 725 | 795 | 1 BLEEDER CAP | 717 |
| 2349 | 1 SEAL FOR GUIDE | 519 | 4606-G | Ø57 | 4614-G |
| 2564-R | 1 SEAL | 25 | 1932 | 2 SQUARE SECTION SEAL500 | 19 |
| 546 | 1 SQUARE SECTION SEAL500 | | 2398 | 2 PIN BUSHING | 634 |
| 681-C | 1 SEAL | 508 | 1272 | 1 PISTON SEAL | 500 |
| 80030 | 1 O-RING | 65 | 2274 | 1 BOOT | 414 |
| RW-2989 | 1 RETAINING RING | | 795 | 1 BLEEDER CAP | 717 |
| 4598-G | Ø40 | 4607-G | Ø22,2 | 4615-G | Ø45 |
| 1268 | 2 PISTON SEAL | 500 | 1342 | 2 SEAL | 24 |
| 1885 | 2 PIN BUSHING | 604 | 1608 | 2 SEAL | 54 |
| 2264 | 2 BOOT | 400 | 1396 | 1 VALVE SEAT | 802 |
| 2227 | 1 SEAL FOR GUIDE | 518 | 534 | 1 O-RING | 504 |
| 795 | 1 BLEEDER CAP | 717 | 4608-G | Ø44 | 4615-G |
| 4599-G | Ø60 | 4608-G | Ø44 | 1660 | 2 SEAL |
| 1590 | 2 BOOT | 642 | 1777 | 2 SEAL | 36 |
| 1269 | 1 PISTON SEAL | 500 | 2415 | 2 BOOT | 249 |
| 2244 | 1 BOOT | 400 | 795 | 1 BLEEDER CAP | 717 |
| 795 | 1 BLEEDER CAP | 717 | 4609-G | Ø44 | 4615-G |
| 4600-G | Ø19 | 4609-G | Ø44 | 1663 | 1 SEAL |
| 576 | 2 SEAL | 27 | 1777 | 2 SEAL | 36 |
| 791-E | 2 CONNECTION SEAL | 710 | 2413 | 2 BOOT | 213 |
| 2565-R | 1 SEAL | 32 | 795 | 1 BLEEDER CAP | 717 |
| 502-A | 1 SEAL | 14 | 4610-G | Ø48 | 4615-G |
| 821 | 1 BOOT | 254 | 2416 | 2 BOOT | 442 |
| | | | 547 | 2 SQUARE SECTION SEAL500 | |
| | | | 795 | 1 BLEEDER CAP | 717 |
| | | | 4610-G | Ø48 | 4616-G |
| | | | 2416 | 2 BOOT | 442 |
| | | | 547 | 2 SQUARE SECTION SEAL500 | |
| | | | 795 | 1 BLEEDER CAP | 717 |
| | | | 4610-G | Ø48 | 4616-G |
| | | | 2416 | 2 BOOT | 442 |
| | | | 547 | 2 SQUARE SECTION SEAL500 | |
| | | | 795 | 1 BLEEDER CAP | 717 |
| | | | 4610-G | Ø48 | 4616-G |
| | | | 2416 | 2 BOOT | 442 |
| | | | 547 | 2 SQUARE SECTION SEAL500 | |
| | | | 795 | 1 BLEEDER CAP | 717 |
| | | | 4610-G | Ø48 | 4616-G |
| | | | 2416 | 2 BOOT | 442 |
| | | | 547 | 2 SQUARE SECTION SEAL500 | |
| | | | 795 | 1 BLEEDER CAP | 717 |
| | | | 4610-G | Ø48 | 4616-G |
| | | | 2416 | 2 BOOT | 442 |
| | | | 547 | 2 SQUARE SECTION SEAL500 | |
| | | | 795 | 1 BLEEDER CAP | 717 |
| | | | 4610-G | Ø48 | 4616-G |
| | | | 2416 | 2 BOOT | 442 |
| | | | 547 | 2 SQUARE SECTION SEAL500 | |
| | | | 795 | 1 BLEEDER CAP | 717 |
| | | | 4610-G | Ø48 | 4616-G |
| | | | 2416 | 2 BOOT | 442 |
| | | | 547 | 2 SQUARE SECTION SEAL500 | |
| | | | 795 | 1 BLEEDER CAP | 717 |
| | | | 4610-G | Ø48 | 4616-G |
| | | | 2416 | 2 BOOT | 442 |
| | | | 547 | 2 SQUARE SECTION SEAL500 | |
| | | | 795 | 1 BLEEDER CAP | 717 |
| | | | 4610-G | Ø48 | 4616-G |
| | | | 2416 | 2 BOOT | 442 |
| | | | 547 | 2 SQUARE SECTION SEAL500 | |
| | | | 795 | 1 BLEEDER CAP | 717 |
| | | | 4610-G | Ø48 | 4616-G |
| | | | 2416 | 2 BOOT | 442 |
| | | | 547 | 2 SQUARE SECTION SEAL500 | |
| | | | 795 | 1 BLEEDER CAP | 717 |
| | | | 4610-G | Ø48 | 4616-G |
| | | | 2416 | 2 BOOT | 442 |
| | | | 547 | 2 SQUARE SECTION SEAL500 | |
| | | | 795 | 1 BLEEDER CAP | 717 |
| | | | 4610-G | Ø48 | 4616-G |
| | | | 2416 | 2 BOOT | 442 |
| | | | 547 | 2 SQUARE SECTION SEAL500 | |
| | | | 795 | 1 BLEEDER CAP | 717 |
| | | | 4610-G | Ø48 | 4616-G |
| | | | 2416 | 2 BOOT | 442 |
| | | | 547 | 2 SQUARE SECTION SEAL500 | |
| | | | 795 | 1 BLEEDER CAP | 717 |
| | | | 4610-G | Ø48 | 4616-G |
| | | | 2416 | 2 BOOT | 442 |
| | | | 547 | 2 SQUARE SECTION SEAL500 | |
| | | | 795 | 1 BLEEDER CAP | 717 |
| | | | 4610-G | Ø48 | 4616-G |
| | | | 2416 | 2 BOOT | 442 |
| | | | 547 | 2 SQUARE SECTION SEAL500 | |
| | | | 795 | 1 BLEEDER CAP | 717 |
| | | | 4610-G | Ø48 | 4616-G |
| | | | 2416 | 2 BOOT | 442 |
| | | | 547 | 2 SQUARE SECTION SEAL500 | |
| | | | 795 | 1 BLEEDER CAP | 717 |
| | | | 4610-G | Ø48 | 4616-G |
| | | | 2416 | 2 BOOT | 442 |
| | | | 547 | 2 SQUARE SECTION SEAL500 | |
| | | | 795 | 1 BLEEDER CAP | 717 |
| | | | 4610-G | Ø48 | 4616-G |
| | | | 2416 | 2 BOOT | 442 |
| | | | 547 | 2 SQUARE SECTION SEAL500 | |
| | | | 795 | 1 BLEEDER CAP | 717 |
| | | | 4610-G | Ø48 | 4616-G |
| | | | 2416 | 2 BOOT | 442 |
| | | | 547 | 2 SQUARE SECTION SEAL500 | |
| | | | 795 | 1 BLEEDER CAP | 717 |
| | | | 4610-G | Ø48 | 4616-G |
| | | | 2416 | 2 BOOT | 442 |
| | | | 547 | 2 SQUARE SECTION SEAL500 | |
| | | | 795 | 1 BLEEDER CAP | 717 |
| | | | 4610-G | Ø48 | 4616-G |
| | | | 2416 | 2 BOOT | 442 |
| | | | 547 | 2 SQUARE SECTION SEAL500 | |
| | | | 795 | 1 BLEEDER CAP | 717 |
| | | | 4610-G | Ø48 | 4616-G |
| | | | 2416 | 2 BOOT | 442 |
| | | | 547 | 2 SQUARE SECTION SEAL500 | |
| | | | 795 | 1 BLEEDER CAP | 717 |
| | | | 4610-G | Ø48 | 4616-G |
| | | | 2416 | 2 BOOT | 442 |
| | | | 547 | 2 SQUARE SECTION SEAL500 | |
| | | | 795 | 1 BLEEDER CAP | 717 |
| | | | 4610-G | Ø48 | 4616-G |
| | | | 2416 | 2 BOOT | 442 |
| | | | 547 | 2 SQUARE SECTION SEAL500 | |
| | | | 795 | 1 BLEEDER CAP | 717 |
| | | | 4610-G | Ø48 | 4616-G |
| | | | 2416 | 2 BOOT | 442 |
| | | | 547 | 2 SQUARE SECTION SEAL500 | |
| | | | 795 | 1 BLEEDER CAP | 717 |
| | | | 4610-G | Ø48 | 4616-G |
| | | | 2416 | 2 BOOT | 442 |
| | | | 547 | 2 SQUARE SECTION SEAL500 | |
| | | | 795 | 1 BLEEDER CAP | 717 |
| | | | 4610-G | Ø48 | 4616-G |
| | | | 2416 | 2 BOOT | 442 |
| | | | 547 | 2 SQUARE SECTION SEAL500 | |
| | | | 795 | 1 BLEEDER CAP | 717 |
| | | | 4610-G | Ø48 | 4616-G |
| | | | 2416 | 2 BOOT | 442 |
| | | | 547 | 2 SQUARE SECTION SEAL500 | |
| | | | 795 | 1 BLEEDER CAP | 717 |
| | | | 4610-G | Ø48 | 4616-G |
| | | | 2416 | 2 BOOT | 442 |
| | | | 547 | 2 SQUARE SECTION SEAL500 | |
| | | | 795 | 1 BLEEDER CAP | 717 |
| | | | 4610-G | Ø48 | 4616-G |
| | | | 2416 | 2 BOOT | 442 |
| | | | 547 | 2 SQUARE SECTION SEAL500 | |
| | | | 795 | 1 BLEEDER CAP | 717 |
| | | | 4610-G | Ø48 | 4616-G |
| | | | 2416 | 2 BOOT | 442 |
| | | | 547 | 2 SQUARE SECTION SEAL500 | |
| | | | 795 | 1 BLEEDER CAP | 717 |
| | | | 4610-G | Ø48 | 4616-G |
| | | | 2416 | 2 BOOT | 442 |
| | | | 547 | 2 SQUARE SECTION SEAL500 | |
| | | | 795 | 1 BLEEDER CAP | 717 |
| | | | 4610-G | Ø48 | 4616-G |
| | | | 2416 | 2 BOOT | 442 |
| | | | 547 | 2 SQUARE SECTION SEAL500 | |
| | | | 795 | 1 BLEEDER CAP | 717 |
| | | | 4610-G | Ø48 | 4616-G |
| | | | 2416 | 2 BOOT | 442 |
| | | | 547 | 2 SQUARE SECTION SEAL500 | |
| | | | 795 | 1 BLEEDER CAP | 717 |
| | | | 4610-G | Ø48 | 4616-G |
| | | | 2416 | 2 BOOT | 442 |
| | | | 547 | 2 SQUARE SECTION SEAL500 | |
| | | | 795 | 1 BLEEDER CAP | 717 |
| | | | 4610-G | Ø48 | 4616-G |
| | | | 2416 | 2 BOOT | 442 |
| | | | 547 | 2 SQUARE SECTION SEAL500 | |
| | | | 795 | 1 BLEEDER CAP | 717 |
| | | | 4610-G | Ø48 | 4616-G |
| | | | 2416 | 2 BOOT | 442 |
| | | | 547 | 2 SQUARE SECTION SEAL500 | |
| | | | 795 | 1 BLEEDER CAP | 717 |
| | | | 4610-G | Ø48 | 4616-G |
| | | | 2416 | 2 BOOT | 442 |
| | | | 547 | 2 SQUARE SECTION SEAL500 | |
| | | | 795 | 1 BLEEDER CAP | 717 |
| | | | 4610-G | Ø48 | 4616-G |
| | | | 2416 | 2 BOOT | 442 |
| | | | 547 | 2 SQUARE SECTION SEAL500 | |
| | | | 795 | 1 BLEEDER CAP | 717 |
| | | | 4610-G | Ø48 | 4616-G |
| | | | 2416 | 2 BOOT | 442 |
| | | | 547 | 2 SQUARE SECTION SEAL500 | |
| | | | 795 | 1 BLEEDER CAP | 717 |
| | | | 4610-G | Ø48 | 4616-G |
| | | | 2416 | 2 BOOT | 442 |
| | | | 547 | 2 SQUARE SECTION SEAL500 | |
| | | | 795 | 1 BLEEDER CAP | 717 |
| | | | 4610-G | Ø48 | 4616-G |
| | | | 2416 | 2 BOOT | 442 |
| | | | 547 | 2 SQUARE SECTION SEAL500 | |
| | | | | | |



REPAIR KITS COMPOSITION

| 4619-G Ø40 | | | 4625-G Ø30 | | | 4631-G Ø40 | | |
|-------------------|--------------------------|-----|-------------------|--------------------------|-----|-------------------|--------------------------|-----|
| 1268 | 2 PISTON SEAL | 500 | 1271 | 1 PISTON SEAL | 500 | 1268 | 2 PISTON SEAL | 500 |
| 1297 | 2 PISTON SEAL | 500 | 1812 | 1 CALIPER BOOT | 416 | 1821 | 2 CALIPER BOOT | 414 |
| 1559 | 2 CALIPER BOOT | 420 | 1853 | 1 PIN BUSHING | 652 | 2043 | 2 PIN BUSHING | 620 |
| 1932 | 2 SQUARE SECTION SEAL501 | | 2061 | 1 PIN BUSHING | 627 | RW-2974 | 2 RETAINING RING | |
| 2309 | 2 BOOT | 420 | 2211 | 1 RETAINER SEAL | 725 | 2351 | 1 SEAL FOR GUIDE | 519 |
| RW-2926 | 2 RETAINING RING | | 795 | 1 BLEEDER CAP | 717 | 795 | 1 BLEEDER CAP | 717 |
| RW-3000 | 2 RETAINING RING | | 80015 | 1 O-RING | 65 | 4632-G Ø54 | | |
| 795 | 1 BLEEDER CAP | 717 | RW-2989 | 1 RETAINING RING | | 2428 | 2 PIN BUSHING | 601 |
| 4620-G Ø45 | | | 4626-G Ø43 | | | 1577 | 1 CALIPER BOOT | 433 |
| 1298 | 2 PISTON SEAL | 500 | 1266 | 1 PISTON SEAL | 500 | 1841 | 1 BLEEDER CAP | 718 |
| 1821 | 2 CALIPER BOOT | 414 | 1876 | 1 CALIPER BOOT | 414 | 2429 | 1 SEAL FOR GUIDE | 516 |
| 2043 | 2 PIN BUSHING | 620 | 2357 | 1 PIN BUSHING | 603 | 549 | 1 SQUARE SECTION SEAL500 | |
| RW-2974 | 2 RETAINING RING | | 2360 | 1 CAP | 736 | 4634-G Ø60 | | |
| 2351 | 1 SEAL FOR GUIDE | 519 | 2452 | 1 PIN BUSHING | 617 | 8064 | 2 PIN BUSHING | 625 |
| 2454 | 1 SEAL | 739 | 795 | 1 BLEEDER CAP | 717 | 1296.70 | 1 PISTON SEAL | 500 |
| 795 | 1 BLEEDER CAP | 717 | RW-2974 | 1 RETAINING RING | | 1841 | 1 BLEEDER CAP | 718 |
| 4621-G Ø42 | | | 4627-G Ø32 | | | 2091 | 1 SEAL FOR GUIDE | 515 |
| 1297 | 2 PISTON SEAL | 500 | 1280 | 1 PISTON SEAL | 500 | 2432 | 1 BOOT | 445 |
| 1569 | 2 BOOT | 619 | 1595 | 1 BOOT | 414 | 80044.70 | 1 O-RING | 65 |
| 1890 | 2 CALIPER BOOT | 400 | 1844 | 1 BOOT | 633 | 80046.70 | 1 O-RING | 65 |
| 1895 | 2 PLASTIC CAP | 723 | 2048 | 1 PIN BUSHING | 627 | 80048.70 | 1 O-RING | 65 |
| 1841 | 1 BLEEDER CAP | 718 | 2211 | 1 RETAINER SEAL | 725 | 8027 | 1 HANDBRAKE BOOT | 638 |
| 4622-G Ø35 | | | 2364 | 1 CAP | 731 | BRIDA-1 | 1 BINDING HOOP | |
| 1876 | 1 CALIPER BOOT | 414 | 795 | 1 BLEEDER CAP | 717 | RW-3036 | 1 PTFE SEAL | 910 |
| 2357 | 1 PIN BUSHING | 603 | 80015 | 1 O-RING | 65 | RW-3037 | 1 PTFE SEAL | 911 |
| 2360 | 1 CAP | 736 | RW-2989 | 1 RETAINING RING | | 4635-G Ø51 | | |
| 2452 | 1 PIN BUSHING | 617 | 4628-G Ø54 | | | 1289 | 2 SQUARE SECTION SEAL501 | |
| 546 | 1 SQUARE SECTION SEAL500 | | 2047 | 1 BOOT | 633 | 1802 | 1 CALIPER BOOT | 414 |
| 795 | 1 BLEEDER CAP | 717 | 2066 | 1 CALIPER BOOT | 416 | 2047 | 1 BOOT | 633 |
| RW-2974 | 1 RETAINING RING | | 2215 | 1 PIN BUSHING | 627 | 2435 | 1 PIN BUSHING | 639 |
| 4623-G Ø42 | | | 2406 | 1 PIN BUSHING | 635 | 548-A | 1 SQUARE SECTION SEAL500 | |
| 1569 | 2 BOOT | 619 | 549-B | 1 SQUARE SECTION SEAL500 | | 795 | 1 BLEEDER CAP | 717 |
| 1895 | 2 PLASTIC CAP | 723 | 795 | 1 BLEEDER CAP | 717 | RW-2928 | 1 RETAINING RING | |
| 1297 | 1 PISTON SEAL | 500 | RW-2927 | 1 RETAINING RING | | 4636-G Ø38 | | |
| 1841 | 1 BLEEDER CAP | 718 | 4629-G Ø54 | | | 8064 | 2 PIN BUSHING | 625 |
| 2377 | 1 BOOT | 434 | 2383 | 4 PIN BUSHING | 602 | 1718 | 1 SEAL | 32 |
| 4624-G Ø35 | | | 1805 | 1 CALIPER BOOT | 416 | 2091 | 1 SEAL FOR GUIDE | 515 |
| 1270 | 1 PISTON SEAL | 500 | 549-B | 1 SQUARE SECTION SEAL500 | | 2224 | 1 RETAINER SEAL | 719 |
| 1595 | 1 BOOT | 414 | 795 | 1 BLEEDER CAP | 717 | 2367 | 1 RETAINER SEAL | 719 |
| 1844 | 1 BOOT | 633 | RW-2933 | 1 RETAINING RING | | 2379 | 1 BOOT | 443 |
| 2048 | 1 PIN BUSHING | 627 | 4630-G Ø54 | | | 546-A | 1 SQUARE SECTION SEAL500 | |
| 2211 | 1 RETAINER SEAL | 725 | 1547 | 2 PIN BUSHING | 604 | 795 | 1 BLEEDER CAP | 717 |
| 2564-R | 1 SEAL | 25 | 1868 | 1 CALIPER BOOT | 400 | 80027 | 1 O-RING | 65 |
| 795 | 1 BLEEDER CAP | 717 | 549 | 1 SQUARE SECTION SEAL500 | | 8205 | 1 O-RING | 504 |
| 80015 | 1 O-RING | 65 | 795 | 1 BLEEDER CAP | 717 | | | |
| 80023 | 1 O-RING | 65 | | | | | | |
| RW-2989 | 1 RETAINING RING | | | | | | | |



REPAIR KITS COMPOSITION

| | | | | | |
|---------------|---------------------|---------------|---------------|--------------------------|---------------|
| 4637-G | Ø44 | 4644-G | Ø57 | 4654-G | Ø57 |
| 2434 | 4 PIN BUSHING | 603 | 2335 | 2 PIN BUSHING | 625 |
| 1266 | 2 PISTON SEAL | 500 | 2336 | 2 PIN BUSHING | 625 |
| 1894 | 2 CALIPER BOOT | 400 | 1281 | 1 PISTON SEAL | 500 |
| 795 | 1 BLEEDER CAP | 717 | 1575 | 1 CALIPER BOOT | 433 |
| 4638-G | Ø57 | 1841 | 1 BLEEDER CAP | 718 | 4655-G |
| 1272 | 1 PISTON SEAL | 500 | 4645-G | Ø48 | Ø54 |
| 1873 | 1 CALIPER BOOT | 400 | 2428 | 2 PIN BUSHING | 601 |
| 2247 | 1 PIN BUSHING | 616 | 2099 | 1 HARD CALIPER BOOT | 433 |
| 2433 | 1 PIN BUSHING | 635 | 2429 | 1 SEAL FOR GUIDE | 516 |
| 795 | 1 BLEEDER CAP | 717 | 547 | 1 SQUARE SECTION SEAL500 | 717 |
| 4639-G | Ø51 | 795 | 1 BLEEDER CAP | 717 | 4656-G |
| 1279 | 1 PISTON SEAL | 500 | 4646-G | Ø42 | Ø42 |
| 1560 | 1 CALIPER BOOT | 400 | 1289 | 2 SQUARE SECTION SEAL501 | 500 |
| 2247 | 1 PIN BUSHING | 616 | 1297 | 2 PISTON SEAL | 500 |
| 2433 | 1 PIN BUSHING | 635 | 2438 | 2 HARD CALIPER BOOT | 430 |
| 795 | 1 BLEEDER CAP | 717 | 795 | 1 BLEEDER CAP | 717 |
| 4640-G | Ø40 | 4647-G | Ø46 | 4657-G | Ø19 |
| 1268 | 2 PISTON SEAL | 500 | 1289 | 2 SQUARE SECTION SEAL501 | 209 |
| 1572 | 2 BOOT | 613 | 1903 | 2 PISTON SEAL | 9 |
| 1832 | 2 BOOT | 405 | 2438 | 2 HARD CALIPER BOOT | 717 |
| 2210 | 2 BOOT | 433 | 795 | 1 BLEEDER CAP | 717 |
| 2080 | 1 BOOT | 616 | 4648-G | Ø36 | 4658-G |
| 795 | 1 BLEEDER CAP | 717 | 1569 | 2 BOOT | 32 |
| 4641-G | Ø43 | 1895 | 2 PLASTIC CAP | 723 | Ø25,4 |
| 1266 | 1 PISTON SEAL | 500 | 1270 | 1 PISTON SEAL | 717 |
| 1876 | 1 CALIPER BOOT | 414 | 2431 | 1 HARD CALIPER BOOT | 717 |
| 2048 | 1 PIN BUSHING | 627 | 795 | 1 BLEEDER CAP | 717 |
| 2211 | 1 RETAINER SEAL | 725 | 4649-G | Ø20,6 | 4659-G |
| 2270 | 1 PIN BUSHING | 620 | 1234 | 4 SEAL | 807 |
| 2364 | 1 CAP | 731 | 1507 | 2 CONNECTION SEAL | 5 |
| 795 | 1 BLEEDER CAP | 717 | 1238 | 1 SEAL | 49 |
| 80015 | 1 O-RING | 65 | 694 | 1 PISTON SEAL | 608 |
| RW-2974 | 1 RETAINING RING | | 4650-G | Ø38,1 | 4660-G |
| 4642-G | Ø46 | 1312 | 1 SEAL | 43 | Ø30 |
| 1929 | 2 PISTON SEAL | 500 | 795 | 1 BLEEDER CAP | 500 |
| 2437 | 2 HARD CALIPER BOOT | 433 | 810-A | 1 PIN BUSHING | 627 |
| 795 | 1 BLEEDER CAP | 717 | 4651-G | Ø20,6 | 2441 |
| 4643-G | Ø57 | 1391 | 2 SEAL | 54 | 795 |
| 2428 | 2 PIN BUSHING | 601 | 1453 | 2 SEAL | 717 |
| 1274 | 1 PISTON SEAL | 500 | 1450 | 1 SEAL | 440 |
| 1575 | 1 CALIPER BOOT | 433 | 4653-G | Ø45 | 795 |
| 2429 | 1 SEAL FOR GUIDE | 516 | 1298 | 1 PISTON SEAL | 717 |
| 795 | 1 BLEEDER CAP | 717 | 795 | 1 BLEEDER CAP | 408 |
| | | | 889 | 1 CALIPER BOOT | |
| | | | RW-2923 | 1 RETAINING RING | |



REPAIR KITS COMPOSITION

| | | | | | |
|---------------|--------------------------|---------------|----------------|--------------------------|--------------|
| 4661-G | Ø38 | 4667-G | Ø48 | 4673-G | Ø19 |
| 2428 | 2 PIN BUSHING | 601 | 2442 | 2 PIN BUSHING | 601 |
| 1718 | 1 SEAL | 32 | 1841 | 1 BLEEDER CAP | 718 |
| 2224 | 1 RETAINER SEAL | 719 | 2091 | 1 SEAL FOR GUIDE | 515 |
| 2367 | 1 RETAINER SEAL | 719 | 2099 | 1 HARD CALIPER BOOT | 433 |
| 2379 | 1 BOOT | 443 | 547 | 1 SQUARE SECTION SEAL500 | 82061 |
| 2429 | 1 SEAL FOR GUIDE | 516 | | 1 WASHER | 500 |
| 546-A | 1 SQUARE SECTION SEAL500 | | 4668-G | Ø54 | GP-28 |
| 795 | 1 BLEEDER CAP | 717 | 2428 | 2 PIN BUSHING | 601 |
| 80027 | 1 O-RING | 65 | 1577 | 1 CALIPER BOOT | 433 |
| | | | 1718 | 1 SEAL | 32 |
| | | | 1841 | 1 BLEEDER CAP | 718 |
| 4662-G | Ø42 | | 2224 | 1 RETAINER SEAL | 719 |
| 2428 | 2 PIN BUSHING | 601 | 2429 | 1 SEAL FOR GUIDE | 516 |
| 1297 | 1 PISTON SEAL | 500 | 549 | 1 SQUARE SECTION SEAL500 | 80027 |
| 1718 | 1 SEAL | 32 | 80027 | 1 O-RING | 65 |
| 2224 | 1 RETAINER SEAL | 719 | | | |
| 2429 | 1 SEAL FOR GUIDE | 516 | 4669-G | Ø57 | |
| 2436 | 1 HARD CALIPER BOOT | 443 | 2428 | 2 PIN BUSHING | 601 |
| 795 | 1 BLEEDER CAP | 717 | 1274 | 1 PISTON SEAL | 500 |
| 80027 | 1 O-RING | 65 | 1575 | 1 CALIPER BOOT | 433 |
| | | | 1718 | 1 SEAL | 32 |
| 4663-G | Ø44 | | 1841 | 1 BLEEDER CAP | 718 |
| 2434 | 2 PIN BUSHING | 603 | 2224 | 1 RETAINER SEAL | 719 |
| 2443 | 2 CAP | 733 | 2429 | 1 SEAL FOR GUIDE | 516 |
| 795 | 2 BLEEDER CAP | 717 | 80027 | 1 O-RING | 65 |
| 1266 | 1 PISTON SEAL | 500 | | | |
| 1838 | 1 CALIPER BOOT | 401 | 4670-G | Ø30 | |
| 1890 | 1 CALIPER BOOT | 400 | 1271 | 2 PISTON SEAL | 500 |
| 547 | 1 SQUARE SECTION SEAL500 | | 1289 | 2 SQUARE SECTION SEAL501 | 1817 |
| | | | 1817 | 2 BOOT | 420 |
| 4664-G | Ø45 | | RW-2930 | 2 RETAINING RING | 795 |
| 1298 | 2 PISTON SEAL | 500 | 795 | 1 BLEEDER CAP | 717 |
| 1841 | 2 BLEEDER CAP | 718 | | | |
| 2337 | 2 PIN BUSHING | 625 | 4671-G | Ø52 | |
| 2430 | 2 BOOT | 433 | 1569 | 2 BOOT | 619 |
| 2440 | 1 PIN BUSHING | 627 | 1895 | 2 PLASTIC CAP | 723 |
| | | | 1841 | 1 BLEEDER CAP | 718 |
| 4665-G | Ø46 | | 2076 | 1 BOOT | 434 |
| 2434 | 2 PIN BUSHING | 603 | 548-A | 1 SQUARE SECTION SEAL500 | |
| 2443 | 2 CAP | 733 | | | |
| 1299 | 1 PISTON SEAL | 500 | 4672-G | Ø19 | |
| 1894 | 1 CALIPER BOOT | 400 | 1244 | 1 SEAL | 32 |
| 795 | 1 BLEEDER CAP | 717 | 1644 | 1 SEAL | 64 |
| | | | 1647 | 1 SEAL | 28 |
| 4666-G | Ø46 | | 657 | 1 SEAL | 32 |
| 2434 | 2 PIN BUSHING | 603 | 694 | 1 PISTON SEAL | 500 |
| 2443 | 2 CAP | 733 | 82050 | 1 WASHER | |
| 795 | 2 BLEEDER CAP | 717 | GP-35 | 1 SNAP RING | |
| 1299 | 1 PISTON SEAL | 500 | | | |
| 1560 | 1 CALIPER BOOT | 400 | 4677-G | Ø22,2 | |
| 1894 | 1 CALIPER BOOT | 400 | 1226 | 2 SEAL | 32 |
| 548-A | 1 SQUARE SECTION SEAL500 | | 791-A | 2 CONNECTION SEAL | 707 |
| | | | 1302 | 1 SEAL | 58 |
| | | | 1337 | 1 SEAL | 28 |
| | | | 2587-R | 1 SEAL | 74 |
| | | | 694 | 1 PISTON SEAL | 500 |
| | | | 80056 | 1 O-RING | 65 |
| | | | 82093 | 1 PLASTIC SEAT | |
| | | | GP-35 | 1 SNAP RING | |
| | | | 4678-G | Ø22,2 | |
| | | | 1226 | 2 SEAL | 32 |
| | | | 1816 | 2 CONNECTION SEAL | 704 |
| | | | 1367 | 1 SEAL | 38 |
| | | | 1646 | 1 SEAL | 59 |
| | | | 694 | 1 PISTON SEAL | 500 |
| | | | 80056 | 1 O-RING | 65 |
| | | | GP-35 | 1 SNAP RING | |



REPAIR KITS COMPOSITION

| | | | | | | | | |
|---------------------|-----------------------|-----|--------------------------|-------------------|-----|--------------------------|-----------------------|-----|
| 4679-G Ø23,8 | | | 4685-G Ø23,8 | | | 4691-G Ø25,4 | | |
| 1244 | 2 SEAL | 32 | 791-A | 2 CONNECTION SEAL | 707 | 667 | 4 SEAL | 22 |
| 1816 | 2 CONNECTION SEAL | 704 | 1245 | 1 SEAL | 32 | 1302 | 2 SEAL | 58 |
| 82050 | 2 WASHER | | 1640 | 1 SEAL | 38 | 80056 | 1 O-RING | 65 |
| 1326 | 1 SEAL | 59 | 1646 | 1 SEAL | 59 | 4692-G Ø25,4 | | |
| 1721 | 1 SEAL | 42 | 649 | 1 SEAL | 27 | 2101 | 2 SEAL | 27 |
| 80059 | 1 O-RING | 65 | 694 | 1 PISTON SEAL | 500 | 1657 | 1 SEAL | 59 |
| 80065.70 | 1 O-RING | 65 | 80056 | 1 O-RING | 65 | 1726 | 1 SEAL | 28 |
| 81011 | 1 SQUARE SECTION SEAL | 52 | 82050 | 1 WASHER | | 80061 | 1 O-RING | 65 |
| GP-36 | 1 SNAP RING | | 82061 | 1 WASHER | | 82061 | 1 WASHER | |
| 4680-G Ø23,8 | | | GP-35 1 SNAP RING | | | GP-35 1 SNAP RING | | |
| 4680-G Ø23,8 | | | 4686-G Ø25,4 | | | 4693-G Ø34 | | |
| 1244 | 4 SEAL | 32 | 649 | 2 SEAL | 27 | 1885 | 2 PIN BUSHING | 604 |
| 791-A | 2 CONNECTION SEAL | 707 | 791-A | 2 CONNECTION SEAL | 707 | 1295 | 1 PISTON SEAL | 500 |
| 82050 | 2 WASHER | | 1302 | 1 SEAL | 58 | 1872 | 1 CALIPER BOOT | 400 |
| 1302 | 1 SEAL | 58 | 1726 | 1 SEAL | 28 | 795 | 1 BLEEDER CAP | 717 |
| 694 | 1 PISTON SEAL | 500 | 694 | 1 PISTON SEAL | 500 | 4694-G Ø34 | | |
| GP-28 | 1 SNAP RING | | 80056 | 1 O-RING | 65 | 1547 | 2 PIN BUSHING | 604 |
| 4681-G Ø23,8 | | | GP-35 1 SNAP RING | | | 4694-G Ø34 | | |
| 1245 | 2 SEAL | 32 | 4687-G Ø25,4 | | | 1295 | 1 PISTON SEAL | 500 |
| 1816 | 2 CONNECTION SEAL | 704 | 1664 | 2 SEAL | 38 | 1841 | 1 BLEEDER CAP | 718 |
| 1640 | 1 SEAL | 38 | 82061 | 2 WASHER | | 8210 | 1 BOOT | 400 |
| 1646 | 1 SEAL | 59 | 1302 | 1 SEAL | 58 | 4695-G Ø34 | | |
| 694 | 1 PISTON SEAL | 500 | 646-B | 1 SEAL | 49 | 1874 | 2 PIN BUSHING | 645 |
| 80056 | 1 O-RING | 65 | 694 | 1 PISTON SEAL | 500 | 1295 | 1 PISTON SEAL | 500 |
| GP-35 | 1 SNAP RING | | GP-28 | 1 SNAP RING | | 1718 | 1 SEAL | 32 |
| 4682-G Ø23,8 | | | 4688-G Ø25,4 | | | 4695-G Ø34 | | |
| 1645 | 3 SEAL | 44 | 1664 | 4 SEAL | 38 | 1874 | 2 PIN BUSHING | 645 |
| 2293 | 2 CONNECTION SEAL | 702 | 1368 | 2 SEAL | 56 | 1295 | 1 PISTON SEAL | 500 |
| 2104 | 1 SEAL | 65 | 82061 | 2 WASHER | | 1718 | 1 SEAL | 32 |
| 694 | 1 PISTON SEAL | 500 | 694 | 1 PISTON SEAL | 500 | 1932 | 1 SQUARE SECTION SEAL | 501 |
| GP-36 | 1 SNAP RING | | GP-28 | 1 SNAP RING | | 2051 | 1 RETAINER SEAL SEAL | 720 |
| 4683-G Ø23,8 | | | 4689-G Ø25,4 | | | 4696-G Ø35 | | |
| 1244 | 2 SEAL | 32 | 1664 | 4 SEAL | 38 | 795 | 2 BLEEDER CAP | 717 |
| 791 | 2 CONNECTION SEAL | 702 | 791-A | 2 CONNECTION SEAL | 707 | 1270 | 1 PISTON SEAL | 500 |
| 795 | 2 BLEEDER CAP | 717 | 82061 | 2 WASHER | | 1595 | 1 BOOT | 414 |
| 1255 | 1 SEAL | 49 | 1302 | 1 SEAL | 58 | 2061 | 1 PIN BUSHING | 627 |
| 1302 | 1 SEAL | 58 | 694 | 1 PISTON SEAL | 500 | 2211 | 1 RETAINER SEAL | 725 |
| 694 | 1 PISTON SEAL | 500 | GP-28 | 1 SNAP RING | | 2272 | 1 BOOT | 236 |
| 80061 | 1 O-RING | 65 | 4690-G Ø25,4 | | | 534 | 1 O-RING | 504 |
| GP-35 | 1 SNAP RING | | 1816 | 2 CONNECTION SEAL | 704 | 80030 | 1 O-RING | 65 |
| 4684-G Ø23,8 | | | 4689-G Ø25,4 | | | 4696-G Ø35 | | |
| 1244 | 2 SEAL | 32 | 649 | 2 SEAL | 27 | 795 | 2 BLEEDER CAP | 717 |
| 791-A | 2 CONNECTION SEAL | 707 | 1366 | 1 SEAL | 57 | 1270 | 1 PISTON SEAL | 500 |
| 82050 | 2 WASHER | | 1641 | 1 SEAL | 29 | 534 | 1 O-RING | 504 |
| 1644 | 1 SEAL | 64 | 694 | 1 PISTON SEAL | 500 | 795 | 1 BLEEDER CAP | 717 |
| 2128 | 1 SEAL | 28 | GP-35 | 1 SNAP RING | | 861 | 1 CALIPER BOOT | 417 |
| 694 | 1 PISTON SEAL | 500 | 4690-G Ø25,4 | | | 4697-G Ø35 | | |
| GP-35 | 1 SNAP RING | | 1816 | 2 CONNECTION SEAL | 704 | 1270 | 1 PISTON SEAL | 500 |
| 4684-G Ø23,8 | | | 4689-G Ø25,4 | | | 4697-G Ø35 | | |
| 1244 | 2 SEAL | 32 | 649 | 2 SEAL | 27 | 534 | 1 O-RING | 504 |
| 791-A | 2 CONNECTION SEAL | 707 | 1366 | 1 SEAL | 57 | 795 | 1 BLEEDER CAP | 717 |
| 82050 | 2 WASHER | | 1641 | 1 SEAL | 29 | 861 | 1 CALIPER BOOT | 417 |
| 1644 | 1 SEAL | 64 | 694 | 1 PISTON SEAL | 500 | 4697-G Ø35 | | |
| 2128 | 1 SEAL | 28 | GP-35 | 1 SNAP RING | | 1270 | 1 PISTON SEAL | 500 |
| 694 | 1 PISTON SEAL | 500 | 4690-G Ø25,4 | | | 534 | 1 O-RING | 504 |
| GP-35 | 1 SNAP RING | | 1816 | 2 CONNECTION SEAL | 704 | 795 | 1 BLEEDER CAP | 717 |
| 4684-G Ø23,8 | | | 4689-G Ø25,4 | | | 4697-G Ø35 | | |
| 1244 | 2 SEAL | 32 | 649 | 2 SEAL | 27 | 861 | 1 CALIPER BOOT | 417 |
| 791-A | 2 CONNECTION SEAL | 707 | 1366 | 1 SEAL | 57 | 4697-G Ø35 | | |
| 82050 | 2 WASHER | | 1641 | 1 SEAL | 29 | 1270 | 1 PISTON SEAL | 500 |
| 1644 | 1 SEAL | 64 | 694 | 1 PISTON SEAL | 500 | 534 | 1 O-RING | 504 |
| 2128 | 1 SEAL | 28 | GP-35 | 1 SNAP RING | | 795 | 1 BLEEDER CAP | 717 |
| 694 | 1 PISTON SEAL | 500 | 4690-G Ø25,4 | | | 861 | 1 CALIPER BOOT | 417 |
| GP-35 | 1 SNAP RING | | 1816 | 2 CONNECTION SEAL | 704 | 4697-G Ø35 | | |
| 4684-G Ø23,8 | | | 4689-G Ø25,4 | | | 4697-G Ø35 | | |
| 1244 | 2 SEAL | 32 | 649 | 2 SEAL | 27 | 1270 | 1 PISTON SEAL | 500 |
| 791-A | 2 CONNECTION SEAL | 707 | 1366 | 1 SEAL | 57 | 534 | 1 O-RING | 504 |
| 82050 | 2 WASHER | | 1641 | 1 SEAL | 29 | 795 | 1 BLEEDER CAP | 717 |
| 1644 | 1 SEAL | 64 | 694 | 1 PISTON SEAL | 500 | 861 | 1 CALIPER BOOT | 417 |
| 2128 | 1 SEAL | 28 | GP-35 | 1 SNAP RING | | 4697-G Ø35 | | |
| 694 | 1 PISTON SEAL | 500 | 4690-G Ø25,4 | | | 1270 | 1 PISTON SEAL | 500 |
| GP-35 | 1 SNAP RING | | 1816 | 2 CONNECTION SEAL | 704 | 534 | 1 O-RING | 504 |
| 4684-G Ø23,8 | | | 4689-G Ø25,4 | | | 795 | 1 BLEEDER CAP | 717 |
| 1244 | 2 SEAL | 32 | 649 | 2 SEAL | 27 | 861 | 1 CALIPER BOOT | 417 |
| 791-A | 2 CONNECTION SEAL | 707 | 1366 | 1 SEAL | 57 | 4697-G Ø35 | | |
| 82050 | 2 WASHER | | 1641 | 1 SEAL | 29 | 1270 | 1 PISTON SEAL | 500 |
| 1644 | 1 SEAL | 64 | 694 | 1 PISTON SEAL | 500 | 534 | 1 O-RING | 504 |
| 2128 | 1 SEAL | 28 | GP-35 | 1 SNAP RING | | 795 | 1 BLEEDER CAP | 717 |
| 694 | 1 PISTON SEAL | 500 | 4690-G Ø25,4 | | | 861 | 1 CALIPER BOOT | 417 |
| GP-35 | 1 SNAP RING | | 1816 | 2 CONNECTION SEAL | 704 | 4697-G Ø35 | | |
| 4684-G Ø23,8 | | | 4689-G Ø25,4 | | | 4697-G Ø35 | | |
| 1244 | 2 SEAL | 32 | 649 | 2 SEAL | 27 | 1270 | 1 PISTON SEAL | 500 |
| 791-A | 2 CONNECTION SEAL | 707 | 1366 | 1 SEAL | 57 | 534 | 1 O-RING | 504 |
| 82050 | 2 WASHER | | 1641 | 1 SEAL | 29 | 795 | 1 BLEEDER CAP | 717 |
| 1644 | 1 SEAL | 64 | 694 | 1 PISTON SEAL | 500 | 861 | 1 CALIPER BOOT | 417 |
| 2128 | 1 SEAL | 28 | GP-35 | 1 SNAP RING | | 4697-G Ø35 | | |
| 694 | 1 PISTON SEAL | 500 | 4690-G Ø25,4 | | | 1270 | 1 PISTON SEAL | 500 |
| GP-35 | 1 SNAP RING | | 1816 | 2 CONNECTION SEAL | 704 | 534 | 1 O-RING | 504 |
| 4684-G Ø23,8 | | | 4689-G Ø25,4 | | | 795 | 1 BLEEDER CAP | 717 |
| 1244 | 2 SEAL | 32 | 649 | 2 SEAL | 27 | 861 | 1 CALIPER BOOT | 417 |
| 791-A | 2 CONNECTION SEAL | 707 | 1366 | 1 SEAL | 57 | 4697-G Ø35 | | |
| 82050 | 2 WASHER | | 1641 | 1 SEAL | 29 | 1270 | 1 PISTON SEAL | 500 |
| 1644 | 1 SEAL | 64 | 694 | 1 PISTON SEAL | 500 | 534 | 1 O-RING | 504 |
| 2128 | 1 SEAL | 28 | GP-35 | 1 SNAP RING | | 795 | 1 BLEEDER CAP | 717 |
| 694 | 1 PISTON SEAL | 500 | 4690-G Ø25,4 | | | 861 | 1 CALIPER BOOT | 417 |
| GP-35 | 1 SNAP RING | | 1816 | 2 CONNECTION SEAL | 704 | 4697-G Ø35 | | |
| 4684-G Ø23,8 | | | 4689-G Ø25,4 | | | 4697-G Ø35 | | |
| 1244 | 2 SEAL | 32 | 649 | 2 SEAL | 27 | 1270 | 1 PISTON SEAL | 500 |
| 791-A | 2 CONNECTION SEAL | 707 | 1366 | 1 SEAL | 57 | 534 | 1 O-RING | 504 |
| 82050 | 2 WASHER | | 1641 | 1 SEAL | 29 | 795 | 1 BLEEDER CAP | 717 |
| 1644 | 1 SEAL | 64 | 694 | 1 PISTON SEAL | 500 | 861 | 1 CALIPER BOOT | 417 |
| 2128 | 1 SEAL | 28 | GP-35 | 1 SNAP RING | | 4697-G Ø35 | | |
| 694 | 1 PISTON SEAL | 500 | 4690-G Ø25,4 | | | 1270 | 1 PISTON SEAL | 500 |
| GP-35 | 1 SNAP RING | | 1816 | 2 CONNECTION SEAL | 704 | 534 | 1 O-RING | 504 |
| 4684-G Ø23,8 | | | 4689-G Ø25,4 | | | 795 | 1 BLEEDER CAP | 717 |
| 1244 | 2 SEAL | 32 | 649 | 2 SEAL | 27 | 861 | 1 CALIPER BOOT | 417 |
| 791-A | 2 CONNECTION SEAL | 707 | 1366 | 1 SEAL | 57 | 4697-G Ø35 | | |
| 82050 | 2 WASHER | | 1641 | 1 SEAL | 29 | 1270 | 1 PISTON SEAL | 500 |
| 1644 | 1 SEAL | 64 | 694 | 1 PISTON SEAL | 500 | 534 | 1 O-RING | 504 |
| 2128 | 1 SEAL | 28 | GP-35 | 1 SNAP RING | | 795 | 1 BLEEDER CAP | 717 |
| 694 | 1 PISTON SEAL | 500 | 4690-G Ø25,4 | | | 861 | 1 CALIPER BOOT | 417 |
| GP-35 | 1 SNAP RING | | 1816 | 2 CONNECTION SEAL | 704 | 4697-G Ø35 | | |
| 4684-G Ø23,8 | | | 4689-G Ø25,4 | | | 4697-G Ø35 | | |
| 1244 | 2 SEAL | 32 | 649 | 2 SEAL | 27 | 1270 | 1 PISTON SEAL | 500 |
| 791-A | 2 CONNECTION SEAL | 707 | 1366 | 1 SEAL | 57 | 534 | 1 O-RING | 504 |
| 82050 | 2 WASHER | | 1641 | 1 SEAL | 29 | 795 | 1 BLEEDER CAP | 717 |
| 1644 | 1 SEAL | 64 | 694 | 1 PISTON SEAL | 500 | 861 | 1 CALIPER BOOT | 417 |
| 2128 | 1 SEAL | 28 | GP-35 | 1 SNAP RING | | 4697-G Ø35 | | |
| 694 | 1 PISTON SEAL | 500 | 4690-G Ø25,4 | | | 1270 | 1 PISTON SEAL | 500 |
| GP-35 | 1 SNAP RING | | 1816 | 2 CONNECTION SEAL | 704 | 534 | 1 O-RING | 504 |
| 4684-G Ø23,8 | | | 4689-G Ø25,4 | | | 795 | 1 BLEEDER CAP | 717 |
| 1244 | 2 SEAL | 32 | 649 | 2 SEAL | 27 | 861 | 1 CALIPER BOOT | 417 |
| 791-A | 2 CONNECTION SEAL | 707 | 1366 | 1 SEAL | 57 | 4697-G Ø35 | | |
| 82050 | 2 WASHER | | 1641 | 1 SEAL | 29 | 1270 | 1 PISTON SEAL | 500 |
| 1644 | 1 SEAL | 64 | 694 | 1 PISTON SEAL | 500 | 534 | 1 O-RING | 504 |
| 2128 | 1 SEAL | 28 | GP-35 | 1 SNAP RING | | 795 | 1 BLEEDER CAP | 717 |
| 694 | 1 PISTON SEAL | 500 | 4690-G Ø25,4 | | | 861 | 1 CALIPER BOOT | 417 |
| GP-35 | 1 SNAP RING | | 1816 | 2 CONNECTION SEAL | 704 | 4697-G Ø35 | | |
| 4684-G Ø23,8 | | | 4689-G Ø25,4 | | | 4697-G Ø35 | | |
| 1244 | 2 SEAL | 32 | 649 | 2 SEAL | 27 | 1270 | 1 PISTON SEAL | 500 |
| 791-A | 2 CONNECTION SEAL | 707 | 1366 | 1 SEAL | 57 | 534 | 1 O-RING | 504 |
| 82050 | 2 WASHER | | 1641 | 1 SEAL | 29 | 795 | 1 BLEEDER CAP | 717 |
| 1644 | 1 SEAL | 64 | 694 | 1 PISTON SEAL | 500 | 861 | 1 CALIPER BOOT | 417 |
| 2128 | 1 SEAL | 28 | GP-35 | 1 SNAP RING | | 4697-G Ø35 | | |
| 694 | 1 PISTON SEAL | 500 | 4690-G Ø25,4 | | | 1270 | 1 PISTON SEAL | 500 |
| GP-35 | 1 SNAP RING | | 1816 | 2 CONNECTION SEAL | 704 | 534 | 1 O-RING | 504 |
| 4684-G Ø23,8 | | | 4689-G Ø25,4 | | | 795 | 1 BLEEDER CAP | 717 |
| 1244 | 2 SEAL | 32 | 649 | 2 SEAL | 27 | 861 | 1 CALIPER BOOT | 417 |
| 791-A | 2 CONNECTION SEAL | 707 | 1366 | 1 SEAL | 57 | 4697-G Ø35 | | |
| 82050 | 2 WASHER | | 1641 | 1 SEAL | 29 | 1270 | 1 PISTON SEAL | 500 |
| 1644 | 1 SEAL | 64 | 694 | 1 PISTON SEAL | 500 | 534 | 1 O-RING | 504 |
| 2128 | 1 SEAL | 28 | GP-35 | 1 SNAP RING | | 795 | 1 BLEEDER CAP | 717 |
| 694 | 1 PISTON SEAL | 500 | 4690-G Ø25,4 | | | 861 | 1 CALIPER BOOT | 417 |
| GP-35 | 1 SNAP RING | | 1816 | 2 CONNECTION SEAL | 704 | 4697-G Ø35 | | |
| 4684-G Ø23,8 | | | 4689-G Ø25,4 | | | 4697-G Ø35 | | |
| 1244 | 2 SEAL | 32 | 649 | 2 SEAL | 27 | 1270 | 1 PISTON SEAL | 500 |
| 791-A | 2 CONNECTION SEAL | 707 | 1366 | 1 SEAL | 57 | 534 | 1 O-RING | 504 |
| 82050 | 2 WASHER | | 1641 | 1 SEAL | 29 | 795 | 1 BLEEDER CAP | 717 |
| 1644 | 1 SEAL | 64 | 694 | 1 PISTON SEAL | 500 | 861 | 1 CALIPER BOOT | 417 |
| 2128 | 1 SEAL | 28 | GP-35 | 1 SNAP RING | | 4697-G Ø35 | | |



REPAIR KITS COMPOSITION

| | | | | | | |
|---------------|-----------------------|---------------|------------------|-----------------------|------------------|-----------------------|
| 4698-G | Ø35 | 4705-G | Ø42 | 4712-G | Ø45 | |
| 1270 | 1 PISTON SEAL | 500 | 1514 | 2 SEAL | 510 | |
| 1595 | 1 BOOT | 414 | 694 | 2 PISTON SEAL | 500 | |
| 534 | 1 O-RING | 504 | 798 | 2 SQUARE SECTION SEAL | 501 | |
| 795 | 1 BLEEDER CAP | 717 | 534 | 1 O-RING | 504 | |
| RW-2989 | 1 RETAINING RING | 795 | 795 | 1 BLEEDER CAP | 717 | |
| 4699-G | Ø35 | 4706-G | Ø42 | RW-2925 | 2 RETAINING RING | |
| 1270 | 1 PISTON SEAL | 500 | 2442 | 2 PIN BUSHING | 601 | |
| 1595 | 1 BOOT | 414 | 1297 | 1 PISTON SEAL | 500 | |
| 2407 | 1 PIN BUSHING | 630 | 1841 | 1 BLEEDER CAP | 718 | |
| 2409 | 1 PIN BUSHING | 610 | 2091 | 1 SEAL FOR GUIDE | 515 | |
| 534 | 1 O-RING | 504 | 2095 | 1 HARD CALIPER BOOT | 433 | |
| 795 | 1 BLEEDER CAP | 717 | 4707-G | Ø42 | RW-2926 | 2 RETAINING RING |
| RW-2989 | 1 RETAINING RING | 795 | 1569 | 2 BOOT | 619 | |
| 4700-G | Ø36 | 1895 | 2 PLASTIC CAP | 723 | 4713-G | Ø45 |
| 1270 | 4 PISTON SEAL | 500 | 1297 | 1 PISTON SEAL | 500 | |
| 1817 | 4 BOOT | 420 | 2095 | 1 HARD CALIPER BOOT | 433 | |
| RW-2930 | 4 RETAINING RING | 795 | 795 | 1 BLEEDER CAP | 717 | |
| 1932 | 2 SQUARE SECTION SEAL | 501 | 4708-G | Ø43 | 1298 | 2 PISTON SEAL |
| 795 | 1 BLEEDER CAP | 717 | 1851 | 4 PIN BUSHING | 602 | |
| 4701-G | Ø36 | 1266 | 1 PISTON SEAL | 500 | 2336 | 2 PIN BUSHING |
| 2350 | 2 PIN BUSHING | 651 | 2399 | 1 BOOT | 414 | |
| 1268 | 1 PISTON SEAL | 500 | 795 | 1 BLEEDER CAP | 717 | |
| 1270 | 1 PISTON SEAL | 500 | RW-2997 | 1 RETAINING RING | 795 | |
| 1529 | 1 CALIPER BOOT | 400 | 4709-G | Ø43 | 1894 | 2 CALIPER BOOT |
| 2312 | 1 BOOT | 400 | 2043 | 2 PIN BUSHING | 620 | |
| 795 | 1 BLEEDER CAP | 717 | 1266 | 1 PISTON SEAL | 500 | |
| 4702-G | Ø38 | 1821 | 1 CALIPER BOOT | 414 | 4715-G | Ø46 |
| 2043 | 2 PIN BUSHING | 620 | 2351 | 1 SEAL FOR GUIDE | 519 | |
| 1821 | 1 CALIPER BOOT | 414 | 795 | 1 BLEEDER CAP | 717 | |
| 1905 | 1 PISTON SEAL | 500 | RW-2974 | 1 RETAINING RING | 795 | |
| 2351 | 1 SEAL FOR GUIDE | 519 | 4710-G | Ø44 | 547 | 1 SQUARE SECTION SEAL |
| 795 | 1 BLEEDER CAP | 717 | 1266 | 2 PISTON SEAL | 500 | |
| RW-2974 | 1 RETAINING RING | 795 | 1894 | 2 CALIPER BOOT | 400 | |
| 4703-G | Ø40 | 2062 | 2 PIN BUSHING | 604 | 4716-G | Ø48 |
| 1569 | 2 BOOT | 619 | 795 | 1 BLEEDER CAP | 717 | |
| 1895 | 2 PLASTIC CAP | 723 | 4711-G | Ø44 | RW-2933 | 1 RETAINING RING |
| 1268 | 1 PISTON SEAL | 500 | 1298 | 2 PISTON SEAL | 500 | |
| 1897 | 1 CALIPER BOOT | 400 | 2045 | 2 CALIPER BOOT | 400 | |
| 795 | 1 BLEEDER CAP | 717 | 2458 | 2 PIN BUSHING | 601 | |
| 4704-G | Ø40 | 2349 | 1 SEAL FOR GUIDE | 519 | 4717-G | Ø48 |
| 2043 | 2 PIN BUSHING | 620 | 795 | 1 BLEEDER CAP | 717 | |
| 1268 | 1 PISTON SEAL | 500 | 4718-G | Ø48 | 1874 | 2 PIN BUSHING |
| 1821 | 1 CALIPER BOOT | 414 | 2099 | 2 HARD CALIPER BOOT | 433 | |
| 2351 | 1 SEAL FOR GUIDE | 519 | 2428 | 2 PIN BUSHING | 601 | |
| 795 | 1 BLEEDER CAP | 717 | 547 | 2 SQUARE SECTION SEAL | 500 | |
| RW-2974 | 1 RETAINING RING | 795 | 2091 | 1 SEAL FOR GUIDE | 515 | |
| | | | 2241 | 1 SEAL FOR GUIDE | 515 | |
| | | | 795 | 1 BLEEDER CAP | 717 | |



REPAIR KITS COMPOSITION

| | | | | | | | | |
|----------------|--------------------------|----------------|--------------------------|--------------------------|------------------|----------------|------------------|-----|
| 4719-G | Ø48 | 4728-G | Ø54 | 4735-G | Ø67 | | | |
| 1506 | 2 PIN BUSHING | 604 | 1860 | 1 CALIPER BOOT | 609 | 2043 | 2 PIN BUSHING | 620 |
| 1838 | 2 CALIPER BOOT | 401 | 2215 | 1 PIN BUSHING | 627 | 1264 | 1 PISTON SEAL | 500 |
| 547 | 2 SQUARE SECTION SEAL500 | 2364 | 1 CAP | 731 | 2268 | 1 BOOT | 414 | |
| 2421 | 1 SEAL FOR GUIDE | 517 | 2370 | 1 BOOT | 413 | 2351 | 1 SEAL FOR GUIDE | 519 |
| 795 | 1 BLEEDER CAP | 717 | 534 | 1 O-RING | 504 | 795 | 1 BLEEDER CAP | 717 |
| 4721-G | Ø48 | 549-B | 1 SQUARE SECTION SEAL500 | RW-2995 | 1 RETAINING RING | | | |
| 2048 | 2 PIN BUSHING | 627 | 795 | 1 BLEEDER CAP | 717 | 4736-G | Ø15,9 | |
| 1806 | 1 HARD CALIPER BOOT | 432 | RW-2928 | 1 RETAINING RING | 1593 | 2 BOOT | 212 | |
| 547 | 1 SQUARE SECTION SEAL500 | 4729-G | Ø54 | 1709 | 2 SEAL | 28 | | |
| 795 | 1 BLEEDER CAP | 717 | 2270 | 1 PIN BUSHING | 620 | 795 | 1 BLEEDER CAP | 717 |
| 4722-G | Ø48 | 2370 | 1 BOOT | 413 | 4737-G | Ø19 | | |
| 1553 | 2 CALIPER BOOT | 400 | 534 | 1 O-RING | 504 | 1581 | 2 BOOT | 204 |
| 1874 | 2 PIN BUSHING | 645 | 549-B | 1 SQUARE SECTION SEAL500 | 603 | 2 SEAL | 9 | |
| 547 | 2 SQUARE SECTION SEAL500 | 795 | 1 BLEEDER CAP | 717 | 795 | 1 BLEEDER CAP | 717 | |
| 795 | 1 BLEEDER CAP | 717 | RW-2928 | 1 RETAINING RING | 4738-G | Ø19 | | |
| 4723-G | Ø51 | 4730-G | Ø57 | 1593 | 2 BOOT | 212 | | |
| 2383 | 4 PIN BUSHING | 602 | 2250 | 2 PIN BUSHING | 617 | 603 | 2 SEAL | 9 |
| 1279 | 1 PISTON SEAL | 500 | 1272 | 1 PISTON SEAL | 500 | 795 | 1 BLEEDER CAP | 717 |
| 2027 | 1 CALIPER BOOT | 414 | 1873 | 1 CALIPER BOOT | 400 | 4739-G | Ø20,6 | |
| 795 | 1 BLEEDER CAP | 717 | 795 | 1 BLEEDER CAP | 717 | 1525 | 2 BOOT | 209 |
| RW-2933 | 1 RETAINING RING | 4731-G | Ø57 | 661-A | 2 SEAL | 32 | | |
| 4724-G | Ø52 | 2458 | 2 PIN BUSHING | 601 | 795 | 1 BLEEDER CAP | 717 | |
| 2352 | 2 PIN BUSHING | 604 | 1272 | 1 PISTON SEAL | 500 | 4740-G | Ø22,2 | |
| 1560 | 1 CALIPER BOOT | 400 | 1889 | 1 CALIPER BOOT | 414 | 641-A | 2 SEAL | 49 |
| 548-A | 1 SQUARE SECTION SEAL500 | 2349 | 1 SEAL FOR GUIDE | 519 | 704 | 2 BOOT | 212 | |
| 795 | 1 BLEEDER CAP | 717 | 795 | 1 BLEEDER CAP | 717 | 795 | 1 BLEEDER CAP | 717 |
| 4725-G | Ø54 | RW-2927 | 1 RETAINING RING | 4732-G | Ø57 | 4741-G | Ø19 | |
| 2250 | 1 PIN BUSHING | 617 | 4732-G | Ø57 | 2062 | 2 PIN BUSHING | 604 | |
| 2322 | 1 PIN BUSHING | 608 | 1281 | 1 PISTON SEAL | 500 | 1281 | 1 PISTON SEAL | 500 |
| 2364 | 1 CAP | 731 | 1873 | 1 CALIPER BOOT | 400 | 1873 | 1 CALIPER BOOT | 400 |
| 549 | 1 SQUARE SECTION SEAL500 | 795 | 1 BLEEDER CAP | 717 | 795 | 1 BLEEDER CAP | 717 | |
| 795 | 1 BLEEDER CAP | 717 | 4733-G | Ø57 | 2054 | 2 PIN BUSHING | 644 | |
| 8253 | 1 BOOT | 400 | 1272 | 1 PISTON SEAL | 500 | 1272 | 1 PISTON SEAL | 500 |
| 4726-G | Ø54 | 1873 | 1 CALIPER BOOT | 400 | 1873 | 1 CALIPER BOOT | 400 | |
| 1874 | 2 PIN BUSHING | 645 | 2229 | 1 SEAL FOR GUIDE | 519 | 2229 | 1 SEAL FOR GUIDE | 519 |
| 1518 | 1 CALIPER BOOT | 400 | 795 | 1 BLEEDER CAP | 717 | 795 | 1 BLEEDER CAP | 717 |
| 549 | 1 SQUARE SECTION SEAL500 | 795 | 4734-G | Ø60 | 2043 | 2 PIN BUSHING | 620 | |
| 795 | 1 BLEEDER CAP | 717 | 2043 | 2 PIN BUSHING | 620 | 1296 | 1 PISTON SEAL | 500 |
| 4727-G | Ø54 | 2270 | 1 PIN BUSHING | 620 | 1889 | 1 CALIPER BOOT | 414 | |
| 2061 | 1 PIN BUSHING | 627 | 2364 | 1 CAP | 731 | 2349 | 1 SEAL FOR GUIDE | 519 |
| 2270 | 1 PIN BUSHING | 620 | 2370 | 1 BOOT | 413 | 795 | 1 BLEEDER CAP | 717 |
| 2364 | 1 CAP | 731 | 534 | 1 O-RING | 504 | RW-2927 | 1 RETAINING RING | |
| 2370 | 1 BOOT | 413 | 549-B | 1 SQUARE SECTION SEAL500 | 359 | 2336 | 2 PIN BUSHING | 625 |
| 534 | 1 O-RING | 504 | 795 | 1 BLEEDER CAP | 717 | 1265 | 1 PISTON SEAL | 500 |
| 549-B | 1 SQUARE SECTION SEAL500 | RW-2927 | 1 RETAINING RING | 4735-G | Ø60 | 2215 | 1 PIN BUSHING | 627 |
| 795 | 1 BLEEDER CAP | 717 | 2043 | 2 PIN BUSHING | 620 | 2432 | 1 BOOT | 445 |
| RW-2928 | 1 RETAINING RING | 2336 | 2 PIN BUSHING | 625 | 1265 | 1 PISTON SEAL | 500 | |
| | | 2215 | 1 PIN BUSHING | 627 | 2432 | 1 BOOT | 445 | |
| | | 795 | 1 BLEEDER CAP | 717 | | | | |



REPAIR KITS COMPOSITION



| | | | | | | | | |
|----------------|--------------------------|---------------|------------------|--------------------------|---------------|----------------|--------------------------|-----|
| 4765-G | Ø54 | 4772-G | Ø45 | 4779-G | Ø20,6 | | | |
| 1874 | 2 PIN BUSHING | 645 | 1298 | 1 PISTON SEAL | 500 | 1382 | 2 SEAL | 54 |
| 2456 | 1 SEAL FOR GUIDE | 616 | 1876 | 1 CALIPER BOOT | 414 | 82038 | 2 WASHER | |
| 2460 | 1 HARD CALIPER BOOT | 432 | 2061 | 1 PIN BUSHING | 627 | 1471 | 1 SEAL | 32 |
| 549 | 1 SQUARE SECTION SEAL500 | 2211 | 1 RETAINER SEAL | 725 | 1658 | 1 SEAL | 59 | |
| 795 | 1 BLEEDER CAP | 717 | 2270 | 1 PIN BUSHING | 620 | 80052 | 1 O-RING | 65 |
| 4766-G | Ø64 | 2364 | 1 CAP | 731 | GP-32 | 1 SNAP RING | | |
| 2043 | 2 PIN BUSHING | 620 | 795 | 1 BLEEDER CAP | 717 | 4780-G | Ø25,4 | |
| 1292 | 1 PISTON SEAL | 500 | 80015 | 1 O-RING | 65 | 1816 | 2 CONNECTION SEAL | 704 |
| 1889 | 1 CALIPER BOOT | 414 | RW-2974 | 1 RETAINING RING | | 649 | 2 SEAL | 27 |
| 2349 | 1 SEAL FOR GUIDE | 519 | 4773-G | Ø45 | 1646 | 1 SEAL | 59 | |
| 795 | 1 BLEEDER CAP | 717 | 2465 | 2 PIN BUSHING | 634 | 2123 | 1 SEAL | 27 |
| RW-2933 | 1 RETAINING RING | | 1298 | 1 PISTON SEAL | 500 | 2123.70 | 1 SEAL | 27 |
| 4767-G | Ø57 | 1876 | 1 CALIPER BOOT | 414 | 694 | 1 PISTON SEAL | 500 | |
| 1895 | 2 PLASTIC CAP | 723 | 2349 | 1 SEAL FOR GUIDE | 519 | 80056 | 1 O-RING | 65 |
| 2459 | 2 PIN BUSHING | 619 | 795 | 1 BLEEDER CAP | 717 | GP-35 | 1 SNAP RING | |
| 1274 | 1 PISTON SEAL | 500 | RW-2974 | 1 RETAINING RING | | 4781-G | Ø36 | |
| 1841 | 1 BLEEDER CAP | 718 | 4774-G | Ø48 | 834 | 2 PIN BUSHING | 605 | |
| 2461 | 1 HARD CALIPER BOOT | 434 | 1874 | 2 PIN BUSHING | 645 | 1268 | 1 PISTON SEAL | 500 |
| 4768-G | Ø57 | 2456 | 1 SEAL FOR GUIDE | 616 | 1270 | 1 PISTON SEAL | 500 | |
| 1569 | 2 BOOT | 619 | 2463 | 1 HARD CALIPER BOOT | 432 | 1529 | 1 CALIPER BOOT | 400 |
| 1895 | 2 PLASTIC CAP | 723 | 547 | 1 SQUARE SECTION SEAL500 | 500 | 795 | 1 BLEEDER CAP | 717 |
| 1281 | 1 PISTON SEAL | 500 | 795 | 1 BLEEDER CAP | 717 | 4782-G | Ø15,9 | |
| 1841 | 1 BLEEDER CAP | 718 | 4775-G | Ø48 | 1257 | 1 SEAL | 32 | |
| 2461 | 1 HARD CALIPER BOOT | 434 | 2335 | 2 PIN BUSHING | 625 | 1396 | 1 VALVE SEAT | 802 |
| 4769-G | Ø35 | 2091 | 1 SEAL FOR GUIDE | 515 | 1626 | 1 SEAL | 41 | |
| 1513 | 2 BOOT | 642 | 2464 | 1 HARD CALIPER BOOT | 434 | 734 | 1 BOOT | 236 |
| 1270 | 1 PISTON SEAL | 500 | 547 | 1 SQUARE SECTION SEAL500 | 500 | GP-22 | 1 SNAP RING | |
| 1529 | 1 CALIPER BOOT | 400 | 4776-G | Ø48 | 4783-G | Ø20,6 | | |
| 795 | 1 BLEEDER CAP | 717 | 1569 | 2 BOOT | 619 | 1483 | 1 SEAL | 34 |
| 4770-G | Ø38 | 1895 | 2 PLASTIC CAP | 723 | 1841 | 1 BLEEDER CAP | 718 | |
| 1874 | 2 PIN BUSHING | 645 | 1841 | 1 BLEEDER CAP | 718 | 1871 | 1 PIN BUSHING | 307 |
| 834 | 2 PIN BUSHING | 605 | 2462 | 1 HARD CALIPER BOOT | 434 | GP-21 | 1 SNAP RING | |
| 1718 | 1 SEAL | 32 | 547 | 1 SQUARE SECTION SEAL500 | 500 | 4784-G | Ø60 | |
| 1801 | 1 CALIPER BOOT | 400 | 4777-G | Ø42 | 1265 | 1 PISTON SEAL | 500 | |
| 2051 | 1 RETAINER SEAL SEAL | 720 | 1569 | 2 BOOT | 619 | 1569 | 1 BOOT | 619 |
| 546-A | 1 SQUARE SECTION SEAL500 | 500 | 1895 | 2 PLASTIC CAP | 723 | 1822 | 1 CALIPER BOOT | 401 |
| 795 | 1 BLEEDER CAP | 717 | 1297 | 1 PISTON SEAL | 500 | 1895 | 1 PLASTIC CAP | 723 |
| 80016 | 1 O-RING | 65 | 1841 | 1 BLEEDER CAP | 718 | 2497 | 1 PIN BUSHING | 605 |
| 80037 | 1 O-RING | 65 | 1890 | 1 CALIPER BOOT | 400 | 795 | 1 BLEEDER CAP | 717 |
| 4771-G | Ø35 | 4778-G | Ø23,8 | 4785-G | Ø48 | | | |
| 2352 | 2 PIN BUSHING | 604 | 1244 | 2 SEAL | 32 | 2266 | 1 BOOT | 417 |
| 1270 | 1 PISTON SEAL | 500 | 791-A | 2 CONNECTION SEAL | 707 | 547 | 1 SQUARE SECTION SEAL500 | 500 |
| 1529 | 1 CALIPER BOOT | 400 | 82050 | 2 WASHER | | 795 | 1 BLEEDER CAP | 717 |
| 795 | 1 BLEEDER CAP | 717 | 1644 | 1 SEAL | 64 | RW-2997 | 1 RETAINING RING | |
| | | | 1930 | 1 SQUARE SECTION SEAL500 | | | | |
| | | | 2128 | 1 SEAL | 28 | | | |
| | | | GP-35 | 1 SNAP RING | | | | |



REPAIR KITS COMPOSITION

| | | | | | | | | |
|---------------|-------------------|---------------|-----------------|-----------------------|---------------|---------------|-------------------|-----|
| 4786-G | Ø15,9 | 4793-G | Ø23,8 | 4799-G | Ø31,8 | | | |
| 1624 | 1 SEAL | 32 | 1661 | 2 SEAL | 54 | | | |
| 1675 | 1 SEAL | 54 | 2475 | 2 CONNECTION SEAL | 703 | | | |
| 1877 | 1 BOOT | 257 | 82047 | 2 WASHER | | | | |
| 4787-G | Ø25,4 | 1245 | 1 SEAL | 32 | 4794-G | Ø23,8 | | |
| 667 | 2 SEAL | 22 | 4794-G | Ø23,8 | 4800-G | Ø30 | | |
| 2470 | 1 PIN BUSHING | 307 | 2168 | 2 SEAL | 54 | 2574-R | 4 SEAL | 45 |
| 795 | 1 BLEEDER CAP | 717 | 2475 | 2 CONNECTION SEAL | 703 | 791-A | 2 CONNECTION SEAL | 707 |
| 4788-G | Ø20,6 | 82047 | 2 WASHER | | 2585-R | 1 SEAL | 58 | |
| 2181 | 2 SEAL | 28 | 1245 | 1 SEAL | 32 | 696 | 1 PISTON SEAL | 500 |
| 791 | 2 CONNECTION SEAL | 702 | 1700 | 1 SEAL | 24 | 80056 | 1 O-RING | 65 |
| 82038 | 2 WASHER | | 4795-G | Ø23,8 | GP-36 | 1 SNAP RING | | |
| 2104 | 1 SEAL | 65 | 1244 | 2 SEAL | 32 | 4801-G | Ø28,6 | |
| 2577-R | 1 SEAL | 42 | 1721 | 2 SEAL | 42 | 2570-R | 1 SEAL | 54 |
| 80065.70 | 1 O-RING | 65 | 1816 | 2 CONNECTION SEAL | 704 | 2589-R | 1 SEAL | 49 |
| GP-36 | 1 SNAP RING | | 2596-R | 1 SEAL | 742 | GP-1002 | 1 SNAP RING | |
| 4789-G | Ø22,2 | 4796-G | Ø23,8 | 4802-G | Ø27 | | | |
| 1608 | 2 SEAL | 54 | 1660 | 2 SEAL | 54 | 2307 | 2 CONNECTION SEAL | 707 |
| 2475 | 2 CONNECTION SEAL | 703 | 2307 | 2 CONNECTION SEAL | 707 | 2576-R | 2 SEAL | 54 |
| 82038 | 2 WASHER | | 2476 | 2 O-RING | 504 | 2584-R | 2 O-RING | 504 |
| 2583-R | 1 SEAL | 27 | 2584-R | 2 O-RING | 504 | 2476 | 1 O-RING | 504 |
| 8001 | 1 SEAL | 24 | 2586-R | 2 SEAL | 45 | 2477 | 1 VALVE | 822 |
| GP-25 | 1 SNAP RING | | 1245 | 1 SEAL | 32 | 2586-R | 1 SEAL | 45 |
| 4790-G | Ø22,2 | 2477 | 1 VALVE | 822 | 2594-R | 1 SEAL | 24 | |
| 1608 | 2 SEAL | 54 | 534 | 1 O-RING | 504 | 534 | 1 O-RING | 504 |
| 2307 | 2 CONNECTION SEAL | 707 | 80000 | 1 O-RING | 65 | GP-34 | 1 SNAP RING | |
| 2584-R | 2 O-RING | 504 | 82047 | 1 WASHER | | 4803-G | Ø27 | |
| 2586-R | 2 SEAL | 45 | GP-30 | 1 SNAP RING | | 2573-R | 2 SEAL | 42 |
| 82038 | 2 WASHER | | GP-34 | 1 SNAP RING | | 2585-R | 1 SEAL | 58 |
| 1342 | 1 SEAL | 24 | 4797-G | Ø38 | 647 | 1 SEAL | 49 | |
| 1396 | 1 VALVE SEAT | 802 | 1569 | 2 BOOT | 619 | 694 | 1 PISTON SEAL | 500 |
| 2476 | 1 O-RING | 504 | 1895 | 2 PLASTIC CAP | 723 | GP-32 | 1 SNAP RING | |
| 534 | 1 O-RING | 504 | 1718 | 1 SEAL | 32 | 4804-G | Ø27 | |
| 80000 | 1 O-RING | 65 | 1905 | 1 PISTON SEAL | 500 | 2572-R | 1 SEAL | 73 |
| GP-34 | 1 SNAP RING | | 2431 | 1 HARD CALIPER BOOT | 434 | 2580-R | 1 SEAL | 49 |
| 4791-G | Ø22,2 | 2471 | 1 RETAINER SEAL | 720 | 82061 | 1 WASHER | | |
| 2575-R | 3 SEAL | 44 | 795 | 1 BLEEDER CAP | 717 | GP-37 | 1 SNAP RING | |
| 791 | 2 CONNECTION SEAL | 702 | 80011 | 1 O-RING | 65 | 4805-G | Ø23,8 | |
| 1297 | 1 PISTON SEAL | 500 | 4798-G | Ø33,34 | 2168 | 2 SEAL | 54 | |
| 2104 | 1 SEAL | 65 | 2571-R | 2 SEAL | 72 | 2475 | 2 CONNECTION SEAL | 703 |
| GP-36 | 1 SNAP RING | | 791-A | 2 CONNECTION SEAL | 707 | 82047 | 2 WASHER | |
| 4792-G | Ø22,2 | 2578-R | 1 SEAL | 60 | 1245 | 1 SEAL | 32 | |
| 2575-R | 3 SEAL | 44 | 2579-R | 1 SEAL | 28 | 1658 | 1 SEAL | 59 |
| 791 | 2 CONNECTION SEAL | 702 | 548 | 1 SQUARE SECTION SEAL | 500 | 80052 | 1 O-RING | 65 |
| 2104 | 1 SEAL | 65 | GP-42 | 1 SNAP RING | | GP-32 | 1 SNAP RING | |
| 80065.70 | 1 O-RING | 65 | | | | | | |
| GP-36 | 1 SNAP RING | | | | | | | |



REPAIR KITS COMPOSITION



| | | | | | | | | |
|---------------|--------------------------|---------------|------------------|-------------------|--------------------------|------------------|--------------------------|-----|
| 4806-G | Ø23,8 | 4814-G | Ø15,9 | 4822-G | Ø34 | | | |
| 1244 | 2 SEAL | 32 | 1355 | 1 SEAL | 39 | | | |
| 791-A | 2 CONNECTION SEAL | 707 | 1396 | 1 VALVE SEAT | 802 | | | |
| 1930 | 1 SQUARE SECTION SEAL500 | 1871 | 1 PIN BUSHING | 307 | 1295 | 1 PISTON SEAL | 500 | |
| 2128 | 1 SEAL | 28 | 2591-R | 1 SEAL | 26 | 1718 | 1 SEAL | 32 |
| 2587-R | 1 SEAL | 74 | 4815-G | Ø15,9 | 2471 | 1 RETAINER SEAL | 720 | |
| 694 | 1 PISTON SEAL | 500 | 1624 | 1 SEAL | 32 | 2480 | 1 HARD CALIPER BOOT | 434 |
| 82093 | 1 PLASTIC SEAT | | 1675 | 1 SEAL | 54 | 795 | 1 BLEEDER CAP | 717 |
| GP-35 | 1 SNAP RING | | 1877 | 1 BOOT | 257 | 80011 | 1 O-RING | 65 |
| 4807-G | Ø43 | 2478 | 1 SEAL | 740 | 80023 | 1 O-RING | 65 | |
| 1590 | 2 BOOT | 642 | 4816-G | Ø19 | 4823-G | Ø48 | | |
| 1266 | 1 PISTON SEAL | 500 | 1516 | 1 PIN BUSHING | 321 | 2352 | 2 PIN BUSHING | 604 |
| 1890 | 1 CALIPER BOOT | 400 | 1521 | 1 CONNECTION SEAL | 705 | 2481 | 1 BOOT | 400 |
| 2227 | 1 SEAL FOR GUIDE | 518 | 1763 | 1 SEAL | 28 | 548 | 1 SQUARE SECTION SEAL500 | |
| 795 | 1 BLEEDER CAP | 717 | 2479 | 1 VALVE | 823 | 795 | 1 BLEEDER CAP | 717 |
| 4808-G | Ø46 | 556-A | 1 SEAL | 5 | 4824-G | Ø51 | | |
| 1299 | 2 PISTON SEAL | 500 | GP-19 | 1 SNAP RING | 2428 | 2 PIN BUSHING | 601 | |
| 1590 | 2 BOOT | 642 | 4817-G | Ø19 | 1279 | 1 PISTON SEAL | 500 | |
| 1894 | 2 CALIPER BOOT | 400 | 1336 | 1 SEAL | 24 | 2482 | 1 HARD CALIPER BOOT | 433 |
| 2227 | 1 SEAL FOR GUIDE | 518 | 2569-R | 1 SEAL | 40 | 795 | 1 BLEEDER CAP | 717 |
| 795 | 1 BLEEDER CAP | 717 | 795 | 1 BLEEDER CAP | 717 | 4825-G | Ø36 | |
| 4809-G | Ø48 | 8246 | 1 PIN BUSHING | 316 | 1569 | 2 BOOT | 619 | |
| 2047 | 1 BOOT | 633 | 4818-G | Ø23,8 | 1895 | 2 PLASTIC CAP | 723 | |
| 2215 | 1 PIN BUSHING | 627 | 1313 | 1 SEAL | 28 | 1270 | 1 PISTON SEAL | 500 |
| 2374 | 1 BOOT | 414 | 1314 | 1 SEAL | 28 | 1718 | 1 SEAL | 32 |
| 548 | 1 SQUARE SECTION SEAL500 | | 1521 | 1 CONNECTION SEAL | 705 | 2431 | 1 HARD CALIPER BOOT | 434 |
| 795 | 1 BLEEDER CAP | 717 | 2329 | 1 PIN BUSHING | 308 | 2471 | 1 RETAINER SEAL | 720 |
| RW-2928 | 1 RETAINING RING | | 2479 | 1 VALVE | 823 | 80011 | 1 O-RING | 65 |
| 4810-G | Ø20,6 | GP-24 | 1 SNAP RING | | 4826-G | Ø35 | | |
| 1217 | 2 SEAL | 24 | 4819-G | Ø19 | 2465 | 2 PIN BUSHING | 634 | |
| 2024 | 2 BOOT | 212 | 1761 | 1 SEAL | 36 | 1270 | 1 PISTON SEAL | 500 |
| 795 | 1 BLEEDER CAP | 717 | 2473 | 1 PIN BUSHING | 312 | 1595 | 1 BOOT | 414 |
| 4811-G | Ø20,6 | 795 | 1 BLEEDER CAP | 717 | 2211 | 1 RETAINER SEAL | 725 | |
| 2592-R | 2 SEAL | 24 | 4820-G | Ø35 | 2349 | 1 SEAL FOR GUIDE | 519 | |
| 706 | 2 BOOT | 211 | 2465 | 2 PIN BUSHING | 634 | 2564-R | 1 SEAL | 25 |
| 795 | 1 BLEEDER CAP | 717 | 1270 | 1 PISTON SEAL | 500 | 795 | 1 BLEEDER CAP | 717 |
| 4812-G | Ø27 | 2232 | 1 SEAL FOR GUIDE | 519 | GP-24 | 1 SNAP RING | | |
| 2466 | 2 BOOT | 244 | 2445 | 1 BOOT | 414 | RW-2989 | 1 RETAINING RING | |
| 611 | 2 SEAL | 9 | 795 | 1 BLEEDER CAP | 717 | 4827-G | Ø54 | |
| 795 | 1 BLEEDER CAP | 717 | RW-2989 | 1 RETAINING RING | | 2348 | 2 PIN BUSHING | 601 |
| 4813-G | Ø31,8 | 4821-G | Ø19 | 549 | 1 SQUARE SECTION SEAL500 | | | |
| 2595-R | 2 SEAL | 49 | 1761 | 1 SEAL | 36 | 795 | 1 BLEEDER CAP | 717 |
| 751 | 2 BOOT | 214 | 2474 | 1 PIN BUSHING | 325 | 8062 | 1 SEAL FOR GUIDE | 518 |
| 795 | 1 BLEEDER CAP | 717 | 795 | 1 BLEEDER CAP | 717 | 8253 | 1 BOOT | 400 |
| 4828-G | Ø23,8 | | | | | 1494 | 2 SEAL | 36 |
| | | | | | | 2170 | 2 SEAL | 54 |
| | | | | | | 1695 | 1 SEAL | 39 |



REPAIR KITS COMPOSITION

| | | | | | | | | | | | | | | |
|---------------|-------------------|---------------|-------------------|-----------------------|---------------|-------------------|-------------------|---------------|-------------------|----------------|--------|----------|----|--|
| 4829-G | Ø57 | 4837-G | Ø48 | 4846-G | Ø22,2 | | | | | | | | | |
| 2350 | 2 PIN BUSHING | 651 | 2350 | 2 PIN BUSHING | 651 | 1304 | 2 SEAL | 38 | | | | | | |
| 1281 | 1 PISTON SEAL | 500 | 2481 | 1 BOOT | 400 | 791-A | 2 CONNECTION SEAL | 707 | | | | | | |
| 1873 | 1 CALIPER BOOT | 400 | 547 | 1 SQUARE SECTION SEAL | 500 | 82038 | 2 WASHER | | | | | | | |
| 795 | 1 BLEEDER CAP | 717 | 795 | 1 BLEEDER CAP | 717 | 1220 | 1 SEAL | 49 | | | | | | |
| 8202 | 1 SEAL FOR GUIDE | 519 | | | | 1644 | 1 SEAL | 64 | | | | | | |
| 4830-G | Ø25,4 | 4838-G | Ø19 | 694 | 1 PISTON SEAL | 500 | | | | | | | | |
| 1664 | 2 SEAL | 38 | 1336 | 1 SEAL | 24 | GP-35 | 1 SNAP RING | | | | | | | |
| 791-A | 2 CONNECTION SEAL | 707 | 1871 | 1 PIN BUSHING | 307 | 4847-G | Ø22,2 | | | | | | | |
| 1726 | 1 SEAL | 28 | 795 | 1 BLEEDER CAP | 717 | 1226 | 2 SEAL | 32 | | | | | | |
| 2587-R | 1 SEAL | 74 | 4839-G | Ø20,6 | 633 | 2 SEAL | 42 | 1673 | 2 SEAL | 54 | | | | |
| 696 | 1 PISTON SEAL | 500 | 750 | 2 BOOT | 203 | 2077 | 2 CONNECTION SEAL | 703 | | | | | | |
| 82093 | 1 PLASTIC SEAT | | 795 | 1 BLEEDER CAP | 717 | 80063.70 | 1 O-RING | 65 | | | | | | |
| GP-35 | 1 SNAP RING | | 4840-G | Ø23,8 | 1690 | 1 SEAL | 29 | GP-24 | 1 SNAP RING | | | | | |
| 4831-G | Ø22,2 | 652 | 1 SEAL | 23 | 696 | 1 PISTON SEAL | 500 | 4848-G | Ø20,6 | | | | | |
| 1253 | 2 SEAL | 82 | 795 | 1 BLEEDER CAP | 717 | 898 | 1 PIN BUSHING | 320 | 1363 | 2 SEAL | 54 | | | |
| 1507 | 2 CONNECTION SEAL | 707 | GP-32 | 1 SNAP RING | | GP-32 | 1 SNAP RING | | 1662 | 1 SEAL | 75 | | | |
| 1680 | 1 SEAL | 59 | 4841-G | Ø23,8 | 1760 | 1 SEAL | 41 | 1671 | 1 SEAL | 39 | | | | |
| 694 | 1 PISTON SEAL | 500 | 2473 | 1 PIN BUSHING | 312 | 2473 | 1 PIN BUSHING | 312 | GP-35 | 1 SNAP RING | | | | |
| GP-28 | 1 SNAP RING | | 795 | 1 BLEEDER CAP | 717 | 795 | 1 BLEEDER CAP | 717 | 4849-G | Ø19 | | | | |
| 4832-G | Ø22,2 | 80049 | 1 O-RING | 65 | 4842-G | Ø15,9 | 1330 | 1 SEAL | 54 | 1704 | 1 SEAL | 28 | | |
| 2598-R | 2 SEAL | 76 | 4843-G | Ø15,9 | 2591-R | 1 SEAL | 26 | 2591-R | 1 SEAL | 26 | 80081 | 1 O-RING | 65 | |
| 791 | 2 CONNECTION SEAL | 702 | 80073 | 1 O-RING | 65 | 80073 | 1 O-RING | 65 | 4850-G | Ø20,6 | | | | |
| 1297 | 1 PISTON SEAL | 500 | GP-23 | 1 SNAP RING | | GP-23 | 1 SNAP RING | | 639-A | 2 SEAL | 49 | | | |
| 8000 | 1 SEAL | 20 | 4844-G | Ø25,4 | 1365 | 2 SEAL | 29 | 2329 | 1 PIN BUSHING | 308 | | | | |
| 80077 | 1 O-RING | 65 | 2077 | 2 CONNECTION SEAL | 703 | 2077 | 2 CONNECTION SEAL | 703 | 795 | 1 BLEEDER CAP | 717 | | | |
| 8237 | 1 SEAL | 59 | 649 | 2 SEAL | 27 | 649 | 2 SEAL | 27 | 4851-G | Ø19 | | | | |
| 4833-G | Ø15,9 | GP-28 | 1 SNAP RING | | 4845-G | Ø23,8 | 1244 | 2 SEAL | 32 | 640 | 2 SEAL | 49 | | |
| 1243 | 1 SEAL | 31 | 1244 | 2 SEAL | 32 | 1244 | 2 SEAL | 32 | 708 | 2 BOOT | 211 | | | |
| 1396 | 1 VALVE SEAT | 802 | 1326 | 1 SEAL | 59 | 1326 | 1 SEAL | 59 | 795 | 1 BLEEDER CAP | 717 | | | |
| 1626 | 1 SEAL | 41 | 1721 | 1 SEAL | 42 | 1721 | 1 SEAL | 42 | 4852-G | Ø57 | | | | |
| 824 | 1 BOOT | 255 | 1879 | 1 CONNECTION SEAL | 713 | 1879 | 1 CONNECTION SEAL | 713 | 1274 | 1 PISTON SEAL | 500 | | | |
| 4834-G | Ø23,8 | 791 | 1 CONNECTION SEAL | 702 | 791 | 1 CONNECTION SEAL | 702 | 1861 | 1 CALIPER BOOT | 401 | | | | |
| 1244 | 4 SEAL | 32 | 80056 | 1 O-RING | 65 | 80056 | 1 O-RING | 65 | 2057 | 1 PIN BUSHING | 605 | | | |
| 1507 | 2 CONNECTION SEAL | 707 | 80072.70 | 1 O-RING | 65 | 80072.70 | 1 O-RING | 65 | 2223 | 1 PIN BUSHING | 610 | | | |
| 82050 | 2 WASHER | | GP-27 | 1 SNAP RING | | GP-27 | 1 SNAP RING | | 795 | 1 BLEEDER CAP | 717 | | | |
| 1246 | 1 SEAL | 521 | 4835-G | Ø35 | 1270 | 1 PISTON SEAL | 500 | 8171 | 1 PLASTIC CAP | 746 | | | | |
| 694 | 1 PISTON SEAL | 500 | 1270 | 1 PISTON SEAL | 500 | 1270 | 1 PISTON SEAL | 500 | 4853-G | Ø23,8 | | | | |
| GP-27 | 1 SNAP RING | | 2234 | 1 BOOT | 416 | 2234 | 1 BOOT | 416 | 1244 | 2 SEAL | 32 | | | |
| 4835-G | Ø35 | 2407 | 1 PIN BUSHING | 630 | 2407 | 1 PIN BUSHING | 630 | 1816 | 2 CONNECTION SEAL | 704 | | | | |
| 1270 | 1 PISTON SEAL | 500 | 2435 | 1 PIN BUSHING | 639 | 2435 | 1 PIN BUSHING | 639 | 2128 | 1 SEAL | 28 | | | |
| 2234 | 1 BOOT | 416 | 795 | 1 BLEEDER CAP | 717 | 795 | 1 BLEEDER CAP | 717 | 2587-R | 1 SEAL | 74 | | | |
| 2407 | 1 PIN BUSHING | 630 | RW-2989 | 1 RETAINING RING | | RW-2989 | 1 RETAINING RING | | 694 | 1 PISTON SEAL | 500 | | | |
| 2435 | 1 PIN BUSHING | 639 | | | | | | | 82093 | 1 PLASTIC SEAT | | | | |
| 795 | 1 BLEEDER CAP | 717 | | | | | | | GP-34 | 1 SNAP RING | | | | |
| RW-2989 | 1 RETAINING RING | | | | | | | | | | | | | |



REPAIR KITS COMPOSITION



| | | | | | |
|---------------|--------------------------|---------------|--------------------------|---------------|-----------------------|
| 4884-G | Ø52 | 4893-G | Ø43 | 4902-G | Ø23,8 |
| 2350 | 2 PIN BUSHING 651 | 1874 | 2 PIN BUSHING 645 | 1892 | 2 CONNECTION SEAL 703 |
| 1560 | 1 CALIPER BOOT 400 | 1297 | 1 PISTON SEAL 500 | 1660 | 1 SEAL 54 |
| 548-A | 1 SQUARE SECTION SEAL500 | 1718 | 1 SEAL 32 | 1662 | 1 SEAL 75 |
| 795 | 1 BLEEDER CAP 717 | 2045 | 1 CALIPER BOOT 400 | 80063.70 | 1 O-RING 65 |
| 4885-G | Ø46 | 2051 | 1 RETAINER SEAL SEAL 720 | 8037 | 1 SEAL 54 |
| 1569 | 2 BOOT 619 | 795 | 1 BLEEDER CAP 717 | 8038 | 1 SEAL 27 |
| 1895 | 2 PLASTIC CAP 723 | 80016 | 1 O-RING 65 | GP-35 | 1 SNAP RING |
| 1299 | 1 PISTON SEAL 500 | 4894-G | Ø57 | 4903-G | Ø23,8 |
| 1841 | 1 BLEEDER CAP 718 | 2322 | 2 PIN BUSHING 608 | 80027 | 2 O-RING 65 |
| 8023 | 1 HARD CALIPER BOOT 434 | 1272 | 1 PISTON SEAL 500 | 1244 | 1 SEAL 32 |
| 4887-G | Ø40 | 1873 | 1 CALIPER BOOT 400 | 1644 | 1 SEAL 64 |
| 1266 | 2 PISTON SEAL 500 | 795 | 1 BLEEDER CAP 717 | 1684 | 1 SEAL 38 |
| 1268 | 2 PISTON SEAL 500 | 4895-G | Ø17,5 | 2128 | 1 SEAL 28 |
| 1289 | 2 SQUARE SECTION SEAL501 | 602 | 2 SEAL 9 | 694 | 1 PISTON SEAL 500 |
| 1841 | 2 BLEEDER CAP 718 | 731-A | 2 BOOT 237 | 82047 | 1 WASHER |
| 2499 | 2 HARD CALIPER BOOT 429 | 795 | 1 BLEEDER CAP 717 | 4904-G | Ø23,8 |
| 8020 | 2 HARD CALIPER BOOT 429 | 4896-G | Ø45 | 1241 | 2 SEAL 29 |
| 4888-G | Ø38,1 | 1298 | 1 PISTON SEAL 500 | 2077 | 2 CONNECTION SEAL 703 |
| 1206 | 2 SEAL 32 | 795 | 1 BLEEDER CAP 717 | 2168 | 2 SEAL 54 |
| 873 | 2 BOOT 248 | 80044.70 | 1 O-RING 65 | GP-25 | 1 SNAP RING |
| RW-2998 | 2 BINDING HOOP | 877 | 1 CALIPER BOOT 409 | 4905-G | Ø20,6 |
| 4889-G | Ø44,45 | 4898-G | Ø27 | 1670 | 2 SEAL 54 |
| 1207 | 2 SEAL 24 | 634 | 1 SEAL 50 | 2299 | 2 CONNECTION SEAL 703 |
| 8032 | 1 BOOT 215 | 795 | 1 BLEEDER CAP 717 | 1662 | 1 SEAL 75 |
| 873 | 1 BOOT 248 | 796 | 1 SQUARE SECTION SEAL502 | 1687 | 1 SEAL 27 |
| RW-2998 | 1 BINDING HOOP | 848 | 1 BOOT 236 | 2476 | 1 O-RING 504 |
| 4890-G | Ø38 | 4899-G | Ø43 | GP-34 | 1 SNAP RING |
| 2428 | 2 PIN BUSHING 601 | 1885 | 2 PIN BUSHING 604 | 4906-G | Ø25,4 |
| 1718 | 1 SEAL 32 | 1297 | 1 PISTON SEAL 500 | 1365 | 3 SEAL 29 |
| 2224 | 1 RETAINER SEAL 719 | 1890 | 1 CALIPER BOOT 400 | 2077 | 2 CONNECTION SEAL 703 |
| 2379 | 1 BOOT 443 | 2227 | 1 SEAL FOR GUIDE 518 | 1302 | 1 SEAL 58 |
| 546-A | 1 SQUARE SECTION SEAL500 | 795 | 1 BLEEDER CAP 717 | 80059 | 1 O-RING 65 |
| 795 | 1 BLEEDER CAP 717 | 4900-G | Ø36 | 80065.70 | 1 O-RING 65 |
| 80027 | 1 O-RING 65 | 1289 | 2 SQUARE SECTION SEAL501 | GP-36 | 1 SNAP RING |
| 4891-G | Ø44 | 1900 | 2 PISTON SEAL 500 | 4907-G | Ø19 |
| 1569 | 2 BOOT 619 | 8028 | 2 HARD CALIPER BOOT 430 | 1763 | 1 SEAL 28 |
| 1895 | 2 PLASTIC CAP 723 | 795 | 1 BLEEDER CAP 717 | 2135 | 1 SEAL 14 |
| 1266 | 1 PISTON SEAL 500 | 4901-G | Ø23,8 | 2479 | 1 VALVE 823 |
| 795 | 1 BLEEDER CAP 717 | 1242 | 2 SEAL 54 | 534 | 1 O-RING 504 |
| 8023 | 1 HARD CALIPER BOOT 434 | 2290 | 2 CONNECTION SEAL 703 | 808 | 1 PIN BUSHING 301 |
| 4892-G | Ø66 | 1229 | 1 SEAL 57 | 4908-G | Ø15,9 |
| 2061 | 2 PIN BUSHING 627 | 1244 | 1 SEAL 32 | 8044 | 2 SEAL 37 |
| 1841 | 1 BLEEDER CAP 718 | 8036 | 1 PISTON SEAL 500 | 1396 | 1 VALVE SEAT 802 |
| 1913 | 1 PISTON SEAL 500 | GP-35 | 1 SNAP RING | GP-21 | 1 SNAP RING |
| 2096 | 1 HARD CALIPER BOOT 432 | | | | |



REPAIR KITS COMPOSITION

| | | | | | | | | |
|---------------|-----------------------|---------------|---------------|---------------------|-------------------|-----------------------|-----------------------|-----|
| 4909-G | Ø17,5 | 4918-G | Ø40 | 4927-G | Ø38 | | | |
| 1406 | 2 SEAL | 24 | 1874 | 2 PIN BUSHING | 645 | 2420 | 2 PIN BUSHING | 601 |
| 747 | 2 BOOT | 203 | 1268 | 1 PISTON SEAL | 500 | 1876 | 1 CALIPER BOOT | 414 |
| 795 | 1 BLEEDER CAP | 717 | 2312 | 1 BOOT | 400 | 1905 | 1 PISTON SEAL | 500 |
| 4910-G | Ø60 | 4919-G | Ø42 | 4928-G | Ø20,6 | | | |
| 2350 | 2 PIN BUSHING | 651 | 1297 | 2 PISTON SEAL | 500 | 8063 | 3 SEAL | 59 |
| 1265 | 1 PISTON SEAL | 500 | 2045 | 2 CALIPER BOOT | 400 | 8065 | 2 CONNECTION SEAL | 703 |
| 2244 | 1 BOOT | 400 | 2434 | 2 PIN BUSHING | 603 | 8009 | 1 SEAL | 743 |
| 795 | 1 BLEEDER CAP | 717 | 2443 | 2 CAP | 733 | 8077 | 1 SEAL | 59 |
| 8202 | 1 SEAL FOR GUIDE | 519 | 795 | 1 BLEEDER CAP | 717 | 4929-G | Ø22,2 | |
| 4911-G | Ø48 | 4920-G | Ø44 | 1674 | 2 SEAL | 32 | | |
| 2481 | 1 BOOT | 400 | 1266 | 2 PISTON SEAL | 500 | 1657 | 1 SEAL | 59 |
| 547 | 1 SQUARE SECTION SEAL | 500 | 1894 | 2 CALIPER BOOT | 400 | 1722 | 1 SEAL | 42 |
| 795 | 1 BLEEDER CAP | 717 | 2434 | 2 PIN BUSHING | 603 | 1879 | 1 CONNECTION SEAL | 713 |
| 4912-G | Ø38 | 4923-G | Ø20,6 | 791 | 1 CONNECTION SEAL | 702 | | |
| 2314 | 2 PIN BUSHING | 608 | 1363 | 2 SEAL | 54 | 80049 | 1 O-RING | 65 |
| 1509 | 1 CALIPER BOOT | 400 | 1364 | 2 SEAL | 29 | 82046 | 1 WASHER | |
| 1884 | 1 RETAINER SEAL | 721 | 2077 | 2 CONNECTION SEAL | 703 | 4930-G | Ø22,2 | |
| 1905 | 1 PISTON SEAL | 500 | 80034 | 2 O-RING | 65 | 1443 | 2 SEAL | 54 |
| 2257 | 1 PIN BUSHING | 627 | 4924-G | Ø20,6 | 8057 | 2 CONNECTION SEAL | 707 | |
| 795 | 1 BLEEDER CAP | 717 | 2307 | 2 CONNECTION SEAL | 707 | 82038 | 2 WASHER | |
| 80015 | 1 O-RING | 65 | 8040 | 2 SEAL | 54 | 1366 | 1 SEAL | 57 |
| 4913-G | Ø15,9 | 4925-G | Ø20,6 | 2136 | 1 SEAL | 27 | | |
| 4002/1 | 1 O-RING | 504 | 1254 | 3 SEAL | 82 | GP-35 | 1 SNAP RING | |
| 8039 | 1 SEAL | 59 | 1816 | 2 CONNECTION SEAL | 704 | 4931-G | Ø43 | |
| 8042 | 1 SEAL | 59 | 1680 | 1 SEAL | 59 | 1266 | 2 PISTON SEAL | 500 |
| 8056 | 1 SEAL | 743 | 2476 | 1 O-RING | 504 | 1821 | 2 CALIPER BOOT | 414 |
| 4915-G | Ø57 | GP-34 | 1 SNAP RING | 4926-G | Ø20,6 | 2420 | 2 PIN BUSHING | 601 |
| 2054 | 2 PIN BUSHING | 644 | 2112 | 2 SEAL | 54 | RW-2974 | 2 RETAINING RING | |
| 1281 | 1 PISTON SEAL | 500 | 2299 | 2 CONNECTION SEAL | 703 | 2349 | 1 SEAL FOR GUIDE | 519 |
| 1873 | 1 CALIPER BOOT | 400 | 2476 | 1 O-RING | 504 | 795 | 1 BLEEDER CAP | 717 |
| 2229 | 1 SEAL FOR GUIDE | 519 | 642 | 1 SEAL | 32 | 4932-G | Ø40 | |
| 795 | 1 BLEEDER CAP | 717 | 80057 | 1 O-RING | 65 | 1268 | 4 PISTON SEAL | 500 |
| 4916-G | Ø57 | 8047 | 1 SEAL | 39 | 1289 | 2 SQUARE SECTION SEAL | 501 | |
| 1590 | 2 BOOT | 642 | GP-35 | 1 SNAP RING | 1821 | 2 CALIPER BOOT | 414 | |
| 1272 | 1 PISTON SEAL | 500 | 4927-G | Ø40 | RW-2974 | 2 RETAINING RING | | |
| 1545 | 1 BOOT | 400 | 2420 | 2 PIN BUSHING | 601 | 795 | 1 BLEEDER CAP | 717 |
| 2227 | 1 SEAL FOR GUIDE | 518 | RW-2974 | 2 RETAINING RING | | 4933-G | Ø40 | |
| 795 | 1 BLEEDER CAP | 717 | 2349 | 1 SEAL FOR GUIDE | 519 | 1268 | 2 PISTON SEAL | 500 |
| 4917-G | Ø38 | 795 | 795 | 1 BLEEDER CAP | 717 | 1289 | 2 SQUARE SECTION SEAL | 501 |
| 2465 | 2 PIN BUSHING | 634 | 4932-G | Ø40 | 2499 | 4 HARD CALIPER BOOT | 429 | |
| 1876 | 1 CALIPER BOOT | 414 | 1268 | 4 PISTON SEAL | 500 | 795 | 2 BLEEDER CAP | 717 |
| 1905 | 1 PISTON SEAL | 500 | 2499 | 4 HARD CALIPER BOOT | 429 | 4933-G | Ø40 | |
| 2349 | 1 SEAL FOR GUIDE | 519 | 795 | 2 BLEEDER CAP | 717 | 1268 | 2 PISTON SEAL | 500 |
| 795 | 1 BLEEDER CAP | 717 | 4933-G | Ø40 | 1289 | 2 SQUARE SECTION SEAL | 501 | |
| RW-2974 | 1 RETAINING RING | | 2465 | 2 PIN BUSHING | 634 | 1821 | 2 CALIPER BOOT | 414 |
| | | | 1876 | 1 CALIPER BOOT | 414 | RW-2974 | 2 RETAINING RING | |
| | | | 1905 | 1 PISTON SEAL | 500 | 795 | 1 BLEEDER CAP | 717 |
| | | | 2349 | 1 SEAL FOR GUIDE | 519 | | | |
| | | | 795 | 1 BLEEDER CAP | 717 | | | |



REPAIR KITS COMPOSITION

| | | | | | | | | |
|---------------|--------------------------|---------------|---------------|--------------------------|---------------|--------------------------|--------------------------|-----|
| 4958-G | Ø25,4 | 4964-G | Ø22,2 | 4973-G | Ø43 | | | |
| 1309 | 2 SEAL | 29 | 1226 | 2 SEAL | 32 | | | |
| 2077 | 2 CONNECTION SEAL | 703 | 1816 | 2 CONNECTION SEAL | 704 | | | |
| 8034 | 2 SEAL | 27 | 1337 | 1 SEAL | 28 | | | |
| GP-28 | 1 SNAP RING | | 1937.70 | 1 SQUARE SECTION SEAL500 | | | | |
| 4959-G | Ø25,4 | 8048 | 1 SEAL | 74 | 2350 | 2 PIN BUSHING | 651 | |
| 1309 | 2 SEAL | 29 | 82094 | 1 PLASTIC SEAT | 795 | 1 PISTON SEAL | 500 | |
| 2077 | 2 CONNECTION SEAL | 703 | GP-37 | 1 SNAP RING | | 1713 | 1 SEAL | 39 |
| 2125 | 2 SEAL | 54 | 4965-G | Ø23,8 | 1890 | 1 CALIPER BOOT | 400 | |
| GP-27 | 1 SNAP RING | | 1591 | 2 BOOT | 231 | 2356 | 1 RETAINER SEAL | 729 |
| 4960-G | Ø25,4 | 1690 | 2 SEAL | 29 | 1939 | 1 PISTON SEAL | 500 | |
| 1664 | 2 SEAL | 38 | 4967-G | Ø60,5 | 795 | 1 BLEEDER CAP | 717 | |
| 1816 | 2 CONNECTION SEAL | 704 | 2373 | 2 PIN BUSHING | 630 | 4974-G | Ø30,9 | |
| 1726 | 1 SEAL | 28 | 1296 | 1 PISTON SEAL | 500 | 1531 | 1 CALIPER BOOT | 400 |
| 696 | 1 PISTON SEAL | 500 | 1512 | 1 CALIPER BOOT | 400 | 1939 | 1 PISTON SEAL | 500 |
| 8048 | 1 SEAL | 74 | 795 | 1 BLEEDER CAP | 717 | 795 | 1 BLEEDER CAP | 717 |
| 82094 | 1 PLASTIC SEAT | | 8201 | 1 SEAL FOR GUIDE | 518 | 4975-G | Ø30 | |
| GP-37 | 1 SNAP RING | | 4968-G | Ø60 | 1271 | 1 PISTON SEAL | 500 | |
| 4961-G | Ø23,8 | 2428 | 2 PIN BUSHING | 601 | 1283 | 1 SQUARE SECTION SEAL501 | | |
| 1244 | 2 SEAL | 32 | 1265 | 1 PISTON SEAL | 500 | 1772 | 1 SEAL | 727 |
| 791-A | 2 CONNECTION SEAL | 707 | 2241 | 1 SEAL FOR GUIDE | 515 | 1807 | 1 PIN BUSHING | 621 |
| 1302 | 1 SEAL | 58 | 795 | 1 BLEEDER CAP | 717 | 1812 | 1 CALIPER BOOT | 416 |
| 2128 | 1 SEAL | 28 | 8195 | 1 HARD CALIPER BOOT | 445 | 2047 | 1 BOOT | 633 |
| 694 | 1 PISTON SEAL | 500 | 4969-G | Ø57 | 2048 | 1 PIN BUSHING | 627 | |
| 80056 | 1 O-RING | 65 | 2373 | 2 PIN BUSHING | 630 | 795 | 1 BLEEDER CAP | 717 |
| 80059 | 1 O-RING | 65 | 1272 | 1 PISTON SEAL | 500 | 4976-G | Ø15,9 | |
| GP-35 | 1 SNAP RING | | 1545 | 1 BOOT | 400 | 1909 | 1 SQUARE SECTION SEAL501 | |
| 4962-G | Ø23,8 | 795 | 1 BLEEDER CAP | 717 | 8022 | 1 SEAL | 509 | |
| 1244 | 2 SEAL | 32 | 8201 | 1 SEAL FOR GUIDE | 518 | 8041 | 1 BOOT | 250 |
| 1816 | 2 CONNECTION SEAL | 704 | 4970-G | Ø42 | 4977-G | Ø38 | | |
| 1937.70 | 1 SQUARE SECTION SEAL500 | | 1267 | 2 PISTON SEAL | 500 | 834 | 2 PIN BUSHING | 605 |
| 2128 | 1 SEAL | 28 | 2486 | 2 HARD CALIPER BOOT | 431 | 1718 | 1 SEAL | 32 |
| 8048 | 1 SEAL | 74 | 795 | 2 BLEEDER CAP | 717 | 1801 | 1 CALIPER BOOT | 400 |
| 82094 | 1 PLASTIC SEAT | | 4971-G | Ø42 | 1801 | 1 CALIPER BOOT | 400 | |
| GP-37 | 1 SNAP RING | | 1267 | 2 PISTON SEAL | 500 | 2051 | 1 RETAINER SEAL SEAL | 720 |
| 4963-G | Ø22,2 | 1895 | 2 PLASTIC CAP | 723 | 546-A | 1 SQUARE SECTION SEAL500 | | |
| 1226 | 2 SEAL | 32 | 2377 | 2 BOOT | 434 | 795 | 1 BLEEDER CAP | 717 |
| 791-A | 2 CONNECTION SEAL | 707 | 2459 | 2 PIN BUSHING | 619 | 80016 | 1 O-RING | 65 |
| 1337 | 1 SEAL | 28 | 1841 | 1 BLEEDER CAP | 718 | 4978-G | Ø38 | |
| 1937.70 | 1 SQUARE SECTION SEAL500 | | 4972-G | Ø46 | 2428 | 2 PIN BUSHING | 601 | |
| 8048 | 1 SEAL | 74 | 1299 | 2 PISTON SEAL | 500 | 2200 | 1 BOOT | 433 |
| 82094 | 1 PLASTIC SEAT | | 1894 | 2 CALIPER BOOT | 400 | 2429 | 1 SEAL FOR GUIDE | 516 |
| GP-36 | 1 SNAP RING | | 2434 | 2 PIN BUSHING | 603 | 2492 | 1 HARD CALIPER BOOT | 433 |
| | | | 2443 | 2 CAP | 733 | 546-A | 1 SQUARE SECTION SEAL500 | |
| | | | 795 | 1 BLEEDER CAP | 717 | 795 | 1 BLEEDER CAP | 717 |
| | | | 4979-G | Ø30 | 1271 | 1 PISTON SEAL | 500 | |
| | | | 1299 | 2 PISTON SEAL | 500 | 1531 | 1 CALIPER BOOT | 400 |
| | | | 1894 | 2 CALIPER BOOT | 400 | 1718 | 1 SEAL | 32 |
| | | | 2434 | 2 PIN BUSHING | 603 | 795 | 1 BLEEDER CAP | 717 |
| | | | 2443 | 2 CAP | 733 | 80015 | 1 O-RING | 65 |
| | | | 795 | 1 BLEEDER CAP | 717 | | | |



REPAIR KITS COMPOSITION



| | | | | | | | | |
|---------------|--------------------------|---------------|------------------|--------------------------|---------------|--------------------------|--------------------------|-----|
| 4980-G | Ø34 | 4988-G | Ø35 | 4996-G | Ø48 | | | |
| 2353 | 2 PIN BUSHING | 655 | 1270 | 1 PISTON SEAL | 500 | | | |
| 1295 | 1 PISTON SEAL | 500 | 2057 | 1 PIN BUSHING | 605 | | | |
| 1872 | 1 CALIPER BOOT | 400 | 2058 | 1 PIN BUSHING | 610 | | | |
| 795 | 1 BLEEDER CAP | 717 | 2225 | 1 RETAINER SEAL | 728 | | | |
| 4981-G | Ø38 | 795 | 1 BLEEDER CAP | 717 | 4997-G | Ø45 | | |
| 1718 | 1 SEAL | 32 | 80023 | 1 O-RING | 65 | 1874 | 2 PIN BUSHING | 645 |
| 1801 | 1 CALIPER BOOT | 400 | 8170 | 1 PLASTIC CAP | 746 | 1298 | 1 PISTON SEAL | 500 |
| 546-A | 1 SQUARE SECTION SEAL500 | | 8210 | 1 BOOT | 400 | 1841 | 1 BLEEDER CAP | 718 |
| 795 | 1 BLEEDER CAP | 717 | 4989-G | Ø36 | 1894 | 1 CALIPER BOOT | 400 | |
| 80015 | 1 O-RING | 65 | 80076 | 2 O-RING | 65 | 4998-G | Ø19 | |
| 4982-G | Ø54 | 834 | 2 PIN BUSHING | 605 | 1161 | 1 VALVE | 809 | |
| 2062 | 2 PIN BUSHING | 604 | 1270 | 1 PISTON SEAL | 500 | 1268-A | 1 PISTON SEAL | 500 |
| 1829 | 1 CALIPER BOOT | 401 | 1529 | 1 CALIPER BOOT | 400 | 1385 | 1 SEAL | 509 |
| 1841 | 1 BLEEDER CAP | 718 | 2342 | 1 RETAINER SEAL | 726 | 19 | 1 VALVE SEAT | 801 |
| 549 | 1 SQUARE SECTION SEAL500 | | 546-A | 1 SQUARE SECTION SEAL500 | | 1925 | 1 PISTON SEAL | 500 |
| 4983-G | Ø57 | 795 | 1 BLEEDER CAP | 717 | 661-A | 1 SEAL | 32 | |
| 1274 | 1 PISTON SEAL | 500 | 4990-G | Ø38 | 8069 | 1 SQUARE SECTION SEAL500 | | |
| 1819 | 1 BOOT | 401 | 2457 | 2 PIN BUSHING | 604 | 82003 | 1 SPRING WASHER | |
| 795 | 1 BLEEDER CAP | 717 | 2379 | 1 BOOT | 443 | 4999-G | Ø22,2 | |
| 4984-G | Ø60 | 2429 | 1 SEAL FOR GUIDE | 516 | 1148 | 1 VALVE | 807 | |
| 1265 | 1 PISTON SEAL | 500 | 546-A | 1 SQUARE SECTION SEAL500 | | 526 | 1 SEAL | 16 |
| 1822 | 1 CALIPER BOOT | 401 | 795 | 1 BLEEDER CAP | 717 | 558 | 1 SEAL | 2 |
| 795 | 1 BLEEDER CAP | 717 | 4991-G | Ø44 | 641-A | 1 SEAL | 49 | |
| 4985-G | Ø54 | 1298 | 2 PISTON SEAL | 500 | 82029 | 1 WASHER | | |
| 2041 | 1 BOOT | 440 | 834 | 2 PIN BUSHING | 605 | 6000-G | Ø19 | |
| 549 | 1 SQUARE SECTION SEAL500 | | 879 | 2 CALIPER BOOT | 400 | 640-A | 2 SEAL | 42 |
| 795 | 1 BLEEDER CAP | 717 | 795 | 1 BLEEDER CAP | 717 | 656 | 2 SEAL | 27 |
| RW-2925 | 1 RETAINING RING | | 4992-G | Ø44 | 791 | 2 CONNECTION SEAL | 702 | |
| 4986-G | Ø22,2 | 1266 | 4 PISTON SEAL | 500 | 82031 | 2 WASHER | | |
| 1816 | 2 CONNECTION SEAL | 704 | 8020 | 4 HARD CALIPER BOOT | 429 | 823 | 1 BOOT | 254 |
| 641-A | 2 SEAL | 49 | 1289 | 2 SQUARE SECTION SEAL501 | | GP-23 | 1 SNAP RING | |
| 643 | 2 SEAL | 27 | 795 | 1 BLEEDER CAP | 717 | 6001-G | Ø20,6 | |
| 80003 | 2 O-RING | 65 | 4993-G | Ø17,5 | 8049 | 1 SEAL | 29 | |
| 82046 | 2 WASHER | | GP-23 | 1 SNAP RING | | GP-23 | 1 SNAP RING | |
| GP-24 | 1 SNAP RING | | 4994-G | Ø19 | 795 | 1 BLEEDER CAP | 717 | |
| 4987-G | Ø48 | 8043 | 1 SEAL | 80 | 8054 | 1 PIN BUSHING | 323 | |
| 1586 | 2 PIN BUSHING | 606 | 4995-G | Ø19 | 1136 | 1 VALVE | 814 | |
| 547 | 1 SQUARE SECTION SEAL500 | | 2328 | 1 PIN BUSHING | 301 | 556 | 1 SEAL | 1 |
| 795 | 1 BLEEDER CAP | 717 | 640 | 1 SEAL | 49 | 640 | 1 SEAL | 49 |
| 879 | 1 CALIPER BOOT | 400 | GP-28 | 1 SNAP RING | | 6002-G | Ø48 | |
| | | | | | | 1569 | 2 BOOT | 619 |
| | | | | | | 1895 | 2 PLASTIC CAP | 723 |
| | | | | | | 2462 | 2 HARD CALIPER BOOT | 434 |
| | | | | | | 547 | 2 SQUARE SECTION SEAL500 | |
| | | | | | | 795 | 1 BLEEDER CAP | 717 |



REPAIR KITS COMPOSITION



| | | | | | | | | |
|---------------|--------------------------|---------------|--------------------------|------------------|---------------|--------------------------|--------------------------|-----|
| 6003-G | Ø46 | 6012-G | Ø17,5 | 6021-G | Ø54 | | | |
| 1299 | 2 PISTON SEAL | 500 | 1240 | 4 SEAL | 32 | 1932 | 2 SQUARE SECTION SEAL501 | |
| 1894 | 2 CALIPER BOOT | 400 | 1225 | 2 SEAL | 56 | 546-A | 2 SQUARE SECTION SEAL500 | |
| 2406 | 2 PIN BUSHING | 635 | 82011 | 2 WASHER | | 2219 | 1 BOOT | 438 |
| 2227 | 1 SEAL FOR GUIDE | 518 | 80109 | 1 O-RING | 65 | 549 | 1 SQUARE SECTION SEAL500 | |
| 795 | 1 BLEEDER CAP | 717 | 82092 | 1 PLASTIC WASHER | | 795 | 1 BLEEDER CAP | 717 |
| 6004-G | Ø45 | GP-25 | 1 SNAP RING | 6022-G | Ø60 | | | |
| 1298 | 4 PISTON SEAL | 500 | 6014-G | Ø20,6 | 6022-G | Ø60 | | |
| 8083 | 4 BOOT | 442 | 633 | 1 SEAL | 42 | 2272 | 2 BOOT | 236 |
| RW-2926 | 4 RETAINING RING | | 795 | 1 BLEEDER CAP | 717 | 1296 | 1 PISTON SEAL | 500 |
| 1932 | 2 SQUARE SECTION SEAL501 | | 895 | 1 BOOT | 217 | 2365 | 1 BOOT | 401 |
| 795 | 1 BLEEDER CAP | 717 | 6015-G | Ø43 | 795 | 1 BLEEDER CAP | 717 | |
| 6005-G | Ø51 | 1266 | 2 PISTON SEAL | 500 | 6023-G | Ø25,4 | | |
| 1279 | 1 PISTON SEAL | 500 | 1821 | 2 CALIPER BOOT | 414 | 1816 | 2 CONNECTION SEAL | 704 |
| 2041 | 1 BOOT | 440 | RW-2974 | 2 RETAINING RING | | 646-B | 2 SEAL | 49 |
| 795 | 1 BLEEDER CAP | 717 | 795 | 1 BLEEDER CAP | 717 | 649 | 2 SEAL | 27 |
| RW-2925 | 1 RETAINING RING | | 6016-G | Ø57 | 80003 | 1 O-RING | 65 | |
| 6006-G | Ø33 | 2406 | 2 PIN BUSHING | 635 | 80063.70 | 1 O-RING | 65 | |
| 1280 | 1 PISTON SEAL | 500 | 1281 | 1 PISTON SEAL | 500 | 6024-G | Ø54 | |
| 1841 | 1 BLEEDER CAP | 718 | 1873 | 1 CALIPER BOOT | 400 | 1571 | 2 CALIPER BOOT | 429 |
| 2361 | 1 BOOT | 401 | 2227 | 1 SEAL FOR GUIDE | 518 | 549 | 2 SQUARE SECTION SEAL500 | |
| 6007-G | Ø34 | 795 | 1 BLEEDER CAP | 717 | 534 | 1 O-RING | 504 | |
| 1874 | 2 PIN BUSHING | 645 | 6017-G | Ø34 | 795 | 1 BLEEDER CAP | 717 | |
| 1295 | 1 PISTON SEAL | 500 | 1885 | 2 PIN BUSHING | 604 | 80011 | 1 O-RING | 65 |
| 1718 | 1 SEAL | 32 | 1295 | 1 PISTON SEAL | 500 | 80074 | 1 O-RING | 65 |
| 2051 | 1 RETAINER SEAL SEAL | 720 | 1529 | 1 CALIPER BOOT | 400 | 8021 | 1 RETAINER SEAL | 726 |
| 2456 | 1 SEAL FOR GUIDE | 616 | 8151 | 1 SEAL FOR GUIDE | 518 | 6025-G | Ø44,45 | |
| 795 | 1 BLEEDER CAP | 717 | 8305 | 1 RETAINER SEAL | 754 | 1132 | 2 VALVE | 813 |
| 80016 | 1 O-RING | 65 | 6018-G | Ø38 | 1906 | 2 SQUARE SECTION SEAL501 | | |
| 8210 | 1 BOOT | 400 | 1896 | 1 CALIPER BOOT | 406 | 81019 | 2 SQUARE SECTION SEAL 52 | |
| 6008-G | Ø34 | 546-A | 1 SQUARE SECTION SEAL500 | 1161 | 1 VALVE | 809 | | |
| 1885 | 2 PIN BUSHING | 604 | 795 | 1 BLEEDER CAP | 717 | 1737 | 1 SEAL | 32 |
| 1295 | 1 PISTON SEAL | 500 | RW-2926 | 1 RETAINING RING | | 1738 | 1 SEAL | 509 |
| 1529 | 1 CALIPER BOOT | 400 | 6019-G | Ø43 | 19-A | 1 VALVE SEAT | 801 | |
| 795 | 1 BLEEDER CAP | 717 | 1297 | 1 PISTON SEAL | 500 | 888 | 1 BOOT | 254 |
| 6009-G | Ø48 | 2045 | 1 CALIPER BOOT | 400 | 6026-G | Ø40 | | |
| 2099 | 2 HARD CALIPER BOOT | 433 | 795 | 1 BLEEDER CAP | 717 | 1268 | 1 PISTON SEAL | 500 |
| 547 | 2 SQUARE SECTION SEAL500 | | 80015 | 1 O-RING | 65 | 1298 | 1 PISTON SEAL | 500 |
| 795 | 1 BLEEDER CAP | 717 | 6020-G | Ø22,2 | 1841 | 1 BLEEDER CAP | 718 | |
| 6010-G | Ø54 | 1725 | 1 SEAL | 28 | 1894 | 1 CALIPER BOOT | 400 | |
| 1868 | 1 CALIPER BOOT | 400 | 2332 | 1 PIN BUSHING | 307 | 2312 | 1 BOOT | 400 |
| 549 | 1 SQUARE SECTION SEAL500 | | 795 | 1 BLEEDER CAP | 717 | | | |
| 795 | 1 BLEEDER CAP | 717 | | | | | | |
| 6011-G | Ø54 | | | | | | | |
| 2460 | 1 HARD CALIPER BOOT | 432 | | | | | | |
| 549 | 1 SQUARE SECTION SEAL500 | | | | | | | |
| 795 | 1 BLEEDER CAP | 717 | | | | | | |



REPAIR KITS COMPOSITION

| | | | | | |
|---------------|--------------------------|---------------|---------------|--------------------------|------------|
| 6027-G | Ø30 | 6034-G | Ø15,9 | 6042-G | Ø57 |
| 1271 | 1 PISTON SEAL | 500 | 1330 | 1 SEAL | 54 |
| 1812 | 1 CALIPER BOOT | 416 | 1618 | 1 SEAL | 39 |
| 2047 | 1 BOOT | 633 | 2085 | 1 CONNECTION SEAL | 703 |
| 2048 | 1 PIN BUSHING | 627 | 8114 | 1 BOOT | 256 |
| 2211 | 1 RETAINER SEAL | 725 | GP-22 | 1 SNAP RING | |
| 2359 | 1 CAP | 730 | | | |
| 795 | 1 BLEEDER CAP | 717 | 6035-G | Ø57 | |
| 80015 | 1 O-RING | 65 | 1281 | 1 PISTON SEAL | 500 |
| RW-2989 | 1 RETAINING RING | | 1873 | 1 CALIPER BOOT | 400 |
| | | | 795 | 1 BLEEDER CAP | 717 |
| 6028-G | Ø60 | 6036-G | Ø51 | 6043-G | Ø38 |
| 2434 | 2 PIN BUSHING | 603 | 2306 | 1 BOOT | 414 |
| 2443 | 2 CAP | 733 | 548-A | 1 SQUARE SECTION SEAL500 | |
| 1296 | 1 PISTON SEAL | 500 | 795 | 1 BLEEDER CAP | 717 |
| 1841 | 1 BLEEDER CAP | 718 | | | |
| 2224 | 1 RETAINER SEAL | 719 | 6037-G | Ø20,6 | |
| 2365 | 1 BOOT | 401 | 1223 | 2 SEAL | 45 |
| 80111 | 1 O-RING | 65 | 2293 | 2 CONNECTION SEAL | 702 |
| C-322 | 1 O-RING | 504 | 1224 | 1 SEAL | 52 |
| | | | 80109 | 1 O-RING | 65 |
| 6029-G | Ø23,8 | | 8104 | 1 SEAL | 81 |
| 1645 | 3 SEAL | 44 | GP-32 | 1 SNAP RING | |
| 791 | 2 CONNECTION SEAL | 702 | | | |
| 2104 | 1 SEAL | 65 | 6038-G | Ø57 | |
| 80065.70 | 1 O-RING | 65 | 2353 | 2 PIN BUSHING | 655 |
| GP-36 | 1 SNAP RING | | 1281 | 1 PISTON SEAL | 500 |
| | | | 1873 | 1 CALIPER BOOT | 400 |
| 6030-G | Ø38 | | 2227 | 1 SEAL FOR GUIDE | 518 |
| 2428 | 2 PIN BUSHING | 601 | 795 | 1 BLEEDER CAP | 717 |
| 2379 | 1 BOOT | 443 | | | |
| 2429 | 1 SEAL FOR GUIDE | 516 | 6039-G | Ø60 | |
| 546-A | 1 SQUARE SECTION SEAL500 | | 1569 | 2 BOOT | 619 |
| 795 | 1 BLEEDER CAP | 717 | 1895 | 2 PLASTIC CAP | 723 |
| | | | 1265 | 1 PISTON SEAL | 500 |
| 6031-G | Ø41 | | 2365 | 1 BOOT | 401 |
| 1874 | 2 PIN BUSHING | 645 | 795 | 1 BLEEDER CAP | 717 |
| 1914 | 1 PISTON SEAL | 500 | | | |
| 2264 | 1 BOOT | 400 | 6040-G | Ø44,5 | |
| 795 | 1 BLEEDER CAP | 717 | 1298 | 2 PISTON SEAL | 500 |
| | | | 8150 | 2 BOOT | 510 |
| 6032-G | Ø43 | | RW-2902 | 2 BOOT PROTECTOR | |
| 1297 | 2 PISTON SEAL | 500 | 1908 | 1 SQUARE SECTION SEAL501 | |
| 1885 | 2 PIN BUSHING | 604 | 795 | 1 BLEEDER CAP | 717 |
| 2045 | 2 CALIPER BOOT | 400 | | | |
| 2227 | 1 SEAL FOR GUIDE | 518 | 6041-G | Ø40 | |
| 795 | 1 BLEEDER CAP | 717 | 1885 | 2 PIN BUSHING | 604 |
| 8226 | 1 SEAL FOR GUIDE | 518 | 1268 | 1 PISTON SEAL | 500 |
| | | | 1841 | 1 BLEEDER CAP | 718 |
| 6033-G | Ø54 | | 2254 | 1 BOOT | 400 |
| 2076 | 1 BOOT | 434 | | | |
| 549-B | 1 SQUARE SECTION SEAL500 | | | | |
| 795 | 1 BLEEDER CAP | 717 | | | |
| | | | 6042-G | Ø57 | |
| | | | 1569 | 2 BOOT | 619 |
| | | | 1895 | 2 PLASTIC CAP | 723 |
| | | | 1281 | 1 PISTON SEAL | 500 |
| | | | 1841 | 1 BLEEDER CAP | 718 |
| | | | 2459 | 1 PIN BUSHING | 619 |
| | | | 2461 | 1 HARD CALIPER BOOT | 434 |
| | | | | | |
| | | | 6043-G | Ø38 | |
| | | | 1874 | 2 PIN BUSHING | 645 |
| | | | 1509 | 1 CALIPER BOOT | 400 |
| | | | 546-A | 1 SQUARE SECTION SEAL500 | |
| | | | 795 | 1 BLEEDER CAP | 717 |
| | | | | | |
| | | | 6044-G | Ø40 | |
| | | | 1569 | 2 BOOT | 619 |
| | | | 1895 | 2 PLASTIC CAP | 723 |
| | | | 1268 | 1 PISTON SEAL | 500 |
| | | | 1718 | 1 SEAL | 32 |
| | | | 2377 | 1 BOOT | 434 |
| | | | 2471 | 1 RETAINER SEAL | 720 |
| | | | 795 | 1 BLEEDER CAP | 717 |
| | | | 80011 | 1 O-RING | 65 |
| | | | | | |
| | | | 6047-G | Ø60 | |
| | | | 8055 | 4 PIN BUSHING | 603 |
| | | | 1265 | 2 PISTON SEAL | 500 |
| | | | 2365 | 2 BOOT | 401 |
| | | | 795 | 1 BLEEDER CAP | 717 |
| | | | 80076 | 1 O-RING | 65 |
| | | | 80078 | 1 O-RING | 65 |
| | | | 8045 | 1 SEAL | 79 |
| | | | | | |
| | | | 6048-G | Ø48 | |
| | | | 2428 | 2 PIN BUSHING | 601 |
| | | | 1841 | 1 BLEEDER CAP | 718 |
| | | | 2429 | 1 SEAL FOR GUIDE | 516 |
| | | | 2436 | 1 HARD CALIPER BOOT | 443 |
| | | | 2564-R | 1 SEAL | 25 |
| | | | 547 | 1 SQUARE SECTION SEAL500 | |
| | | | 8152 | 1 SEAL | 734 |
| | | | 8205 | 1 O-RING | 504 |
| | | | | | |
| | | | 6049-G | Ø38 | |
| | | | 1289 | 2 SQUARE SECTION SEAL501 | |
| | | | 1297 | 2 PISTON SEAL | 500 |
| | | | 546-A | 2 SQUARE SECTION SEAL500 | |
| | | | 795 | 2 BLEEDER CAP | 717 |
| | | | 8144 | 2 HARD CALIPER BOOT | 429 |
| | | | 8154 | 2 HARD CALIPER BOOT | 429 |
| | | | | | |
| | | | 6050-G | Ø42 | |
| | | | 1297 | 4 PISTON SEAL | 500 |
| | | | 8144 | 4 HARD CALIPER BOOT | 429 |
| | | | 795 | 2 BLEEDER CAP | 717 |



REPAIR KITS COMPOSITION



| | | | | | |
|---------------|--------------------------|---------------|---------------------|--------------------------|---------------|
| 6051-G | Ø48 | 6059-G | Ø36 | 6066-G | Ø45 |
| 2048 | 2 PIN BUSHING | 627 | 1268 | 2 PISTON SEAL | 500 |
| 2099 | 1 HARD CALIPER BOOT | 433 | 1270 | 2 PISTON SEAL | 500 |
| 547 | 1 SQUARE SECTION SEAL500 | 1841 | 2 BLEEDER CAP | 718 | 2449 |
| 795 | 1 BLEEDER CAP | 717 | 2499 | 2 HARD CALIPER BOOT | 429 |
| 6052-G | Ø48 | 8122 | 2 HARD CALIPER BOOT | 429 | 8202 |
| 2434 | 2 PIN BUSHING | 603 | 6060-G | Ø34 | 6067-G |
| 2443 | 2 CAP | 733 | 1270 | 2 PISTON SEAL | 500 |
| 547 | 2 SQUARE SECTION SEAL500 | 1295 | 2 PISTON SEAL | 500 | 1547 |
| 8131 | 2 BOOT | 450 | 1814 | 2 HARD CALIPER BOOT | 429 |
| 795 | 1 BLEEDER CAP | 717 | 1841 | 2 BLEEDER CAP | 718 |
| 8264 | 1 SEAL FOR GUIDE | 516 | 546-A | 2 SQUARE SECTION SEAL500 | 8204 |
| 6053-G | Ø42 | 8122 | 2 HARD CALIPER BOOT | 429 | 6068-G |
| 2465 | 2 PIN BUSHING | 634 | 8154 | 2 HARD CALIPER BOOT | 429 |
| 1297 | 1 PISTON SEAL | 500 | 6061-G | Ø40 | 1272 |
| 2349 | 1 SEAL FOR GUIDE | 519 | 1266 | 2 PISTON SEAL | 500 |
| 795 | 1 BLEEDER CAP | 717 | 1268 | 2 PISTON SEAL | 500 |
| 8126 | 1 HARD CALIPER BOOT | 446 | 1841 | 2 BLEEDER CAP | 718 |
| 6054-G | Ø54 | 2065 | 2 CALIPER BOOT | 429 | 795 |
| 2048 | 2 PIN BUSHING | 627 | 8127 | 2 HARD CALIPER BOOT | 430 |
| 549 | 1 SQUARE SECTION SEAL500 | 717 | 6062-G | Ø30,9 | RW-2928 |
| 795 | 1 BLEEDER CAP | 717 | 8137 | 2 PIN BUSHING | 601 |
| 8132 | 1 HARD CALIPER BOOT | 448 | 1531 | 1 CALIPER BOOT | 400 |
| 6055-G | Ø44 | 1939 | 1 PISTON SEAL | 500 | 6069-G |
| 2048 | 2 PIN BUSHING | 627 | 795 | 1 BLEEDER CAP | 717 |
| 1266 | 1 PISTON SEAL | 500 | 8138 | 1 SEAL FOR GUIDE | 747 |
| 795 | 1 BLEEDER CAP | 717 | 6063-G | Ø57 | 8055 |
| G-25 | 1 BOOT | 448 | 1874 | 2 PIN BUSHING | 645 |
| 6056-G | Ø54 | 1281 | 1 PISTON SEAL | 500 | 1264 |
| 8137 | 2 PIN BUSHING | 601 | 1875 | 1 CALIPER BOOT | 400 |
| 549 | 1 SQUARE SECTION SEAL500 | 717 | 795 | 1 BLEEDER CAP | 717 |
| 795 | 1 BLEEDER CAP | 717 | 6064-G | Ø35 | 2089 |
| 8151 | 1 SEAL FOR GUIDE | 518 | 2348 | 2 PIN BUSHING | 601 |
| 8253 | 1 BOOT | 400 | 1270 | 1 PISTON SEAL | 500 |
| 6057-G | Ø47,5 | 1595 | 1 BOOT | 414 | 795 |
| 547 | 2 SQUARE SECTION SEAL500 | 2211 | 1 RETAINER SEAL | 725 | 80025 |
| 8130 | 2 BOOT | 400 | 2349 | 1 SEAL FOR GUIDE | 519 |
| 8140 | 2 PIN BUSHING | 601 | 795 | 1 BLEEDER CAP | 717 |
| 795 | 1 BLEEDER CAP | 717 | 80023 | 1 O-RING | 65 |
| 6058-G | Ø30 | RW-2989 | 1 RETAINING RING | 6070-G | Ø54 |
| 1271 | 2 PISTON SEAL | 500 | 6065-G | Ø35 | 2458 |
| 1295 | 2 PISTON SEAL | 500 | 1285 | 2 PISTON SEAL | 500 |
| 1814 | 2 HARD CALIPER BOOT | 429 | 1289 | 2 SQUARE SECTION SEAL501 | 80056 |
| 1841 | 2 BLEEDER CAP | 718 | 2333 | 2 HARD CALIPER BOOT | 430 |
| 546-A | 2 SQUARE SECTION SEAL500 | 718 | 795 | 1 BLEEDER CAP | 717 |
| 8120 | 2 HARD CALIPER BOOT | 429 | 6071-G | Ø60 | 1269 |
| 8154 | 2 HARD CALIPER BOOT | 429 | 2458 | 2 PIN BUSHING | 601 |
| | | | 1269 | 1 PISTON SEAL | 500 |
| | | | 2349 | 1 SEAL FOR GUIDE | 519 |
| | | | 795 | 1 BLEEDER CAP | 717 |
| | | | 80025 | 1 O-RING | 65 |
| | | | 8107 | 1 HARD CALIPER BOOT | 446 |
| | | | 6073-G | Ø23,8 | 1244 |
| | | | 1244 | 2 SEAL | 32 |
| | | | 1657 | 1 SEAL | 59 |
| | | | 1721 | 1 SEAL | 42 |
| | | | 1816 | 1 CONNECTION SEAL | 704 |
| | | | 80056 | 1 O-RING | 65 |
| | | | 80072.70 | 1 O-RING | 65 |
| | | | 8119 | 1 CONNECTION SEAL | 713 |
| | | | GP-27 | 1 SNAP RING | |



REPAIR KITS COMPOSITION

| | | | | | |
|---------------|--------------------------|---------------|---------------|--------------------------|---------------|
| 6125-G | Ø23,8 | 6132-G | Ø38 | 6139-G | Ø43 |
| 791-A | 2 CONNECTION SEAL | 707 | 1821 | 1 CALIPER BOOT | 414 |
| 795 | 2 BLEEDER CAP | 717 | 1905 | 1 PISTON SEAL | 500 |
| 1245 | 1 SEAL | 32 | 2407 | 1 PIN BUSHING | 630 |
| 1326-A | 1 SEAL | 59 | 2435 | 1 PIN BUSHING | 639 |
| 1640 | 1 SEAL | 38 | 795 | 1 BLEEDER CAP | 717 |
| 694 | 1 PISTON SEAL | 500 | RW-2974 | 1 RETAINING RING | |
| 80061 | 1 O-RING | 65 | 6133-G | Ø54 | |
| GP-35 | 1 SNAP RING | | 8137 | 2 PIN BUSHING | 601 |
| 6126-G | Ø46 | 6134-G | Ø38 | 1299 | 4 PISTON SEAL |
| 2434 | 2 PIN BUSHING | 603 | 2428 | 2 PIN BUSHING | 601 |
| 2443 | 2 CAP | 733 | 2379 | 1 BOOT | 443 |
| 1299 | 1 PISTON SEAL | 500 | 2429 | 1 SEAL FOR GUIDE | 516 |
| 1841 | 1 BLEEDER CAP | 718 | 2564-R | 1 SEAL | 25 |
| 1894 | 1 CALIPER BOOT | 400 | 546-A | 1 SQUARE SECTION SEAL500 | |
| 2224 | 1 RETAINER SEAL | 719 | 795 | 1 BLEEDER CAP | 717 |
| 80111 | 1 O-RING | 65 | 8152 | 1 SEAL | 734 |
| C-322 | 1 O-RING | 504 | 8205 | 1 O-RING | 504 |
| 6127-G | Ø43 | 6135-G | Ø30 | 6142-G | Ø22 |
| 1874 | 2 PIN BUSHING | 645 | 8148 | 2 SEAL | 54 |
| 1297 | 1 PISTON SEAL | 500 | 8179 | 2 SEAL | 42 |
| 2045 | 1 CALIPER BOOT | 400 | 8349 | 1 SEAL | 51 |
| 795 | 1 BLEEDER CAP | 717 | GP-32 | 1 SNAP RING | |
| 80025 | 1 O-RING | 65 | 6136-G | Ø66 | |
| 80081.70 | 1 O-RING | 65 | 1874 | 2 PIN BUSHING | 645 |
| 6128-G | Ø48 | 6137-G | Ø66 | 1913 | 1 PISTON SEAL |
| 2061 | 2 PIN BUSHING | 627 | 1569 | 2 BOOT | 619 |
| 1806 | 1 HARD CALIPER BOOT | 432 | 1895 | 2 PLASTIC CAP | 723 |
| 548 | 1 SQUARE SECTION SEAL500 | | 1913 | 1 PISTON SEAL | 500 |
| 795 | 1 BLEEDER CAP | 717 | 795 | 1 BLEEDER CAP | 717 |
| 6129-G | Ø25,4 | 6138-G | Ø20,6 | 8222 | 1 BOOT |
| 791 | 2 CONNECTION SEAL | 702 | 559 | 3 SEAL | 27 |
| 8087 | 2 SEAL | 76 | 1714 | 2 CONNECTION SEAL | 735 |
| 8239 | 2 SEAL | 507 | 1234 | 1 SEAL | 32 |
| 1266 | 1 PISTON SEAL | 500 | 1583 | 1 PIN BUSHING | 315 |
| 2476 | 1 O-RING | 504 | 639-A | 1 SEAL | 49 |
| 8102 | 1 SEAL | 24 | 6131-G | Ø40 | |
| 8234 | 1 SEAL | 46 | 1590 | 2 BOOT | 642 |
| 6131-G | Ø40 | 6140-G | Ø46 | 1268 | 1 PISTON SEAL |
| 1590 | 2 BOOT | 500 | 1299 | 4 PISTON SEAL | 500 |
| 1268 | 1 PISTON SEAL | 500 | 8215 | 4 BOOT | 429 |
| 1841 | 1 BLEEDER CAP | 718 | 1289 | 2 SQUARE SECTION SEAL501 | |
| 2312 | 1 BOOT | 400 | 1841 | 2 BLEEDER CAP | 718 |
| | | | 6142-G | Ø22 | |
| | | | 641-A | 1 SEAL | 49 |
| | | | 643 | 1 SEAL | 27 |
| | | | 796 | 1 SQUARE SECTION SEAL502 | |
| | | | 6145-G | Ø48 | |
| | | | 1839 | 2 SEAL | 520 |
| | | | 1841 | 2 BLEEDER CAP | 718 |
| | | | 534 | 2 O-RING | 504 |
| | | | 547 | 2 SQUARE SECTION SEAL500 | |
| | | | 80037 | 2 O-RING | 65 |
| | | | 867-A | 2 CALIPER BOOT | 428 |
| | | | BRIDA-1 | 2 BINDING HOOP | |
| | | | 6146-G | Ø44 | |
| | | | 1266 | 2 PISTON SEAL | 500 |
| | | | 1841 | 2 BLEEDER CAP | 718 |
| | | | 8020 | 2 HARD CALIPER BOOT | 429 |
| | | | 6147-G | Ø51 | |
| | | | 1560 | 2 CALIPER BOOT | 400 |
| | | | 691 | 2 PISTON SEAL | 500 |
| | | | 8251 | 2 PIN BUSHING | 601 |
| | | | 1841 | 1 BLEEDER CAP | 718 |
| | | | 8261 | 1 SEAL FOR GUIDE | 518 |
| | | | 6149-G | Ø48 | |
| | | | 2443 | 2 CAP | 733 |
| | | | 8309 | 2 PIN BUSHING | 650 |
| | | | 547 | 1 SQUARE SECTION SEAL500 | |
| | | | 795 | 1 BLEEDER CAP | 717 |
| | | | 80089 | 1 O-RING | 65 |
| | | | 8131 | 1 BOOT | 450 |
| | | | 8321 | 1 RETAINER SEAL | 720 |
| | | | W-98 | 1 SEAL | 39 |
| | | | 6150-G | Ø45 | |
| | | | 1298 | 2 PISTON SEAL | 500 |
| | | | 1885 | 2 PIN BUSHING | 604 |
| | | | 1894 | 2 CALIPER BOOT | 400 |
| | | | 795 | 1 BLEEDER CAP | 717 |
| | | | 8226 | 1 SEAL FOR GUIDE | 518 |



REPAIR KITS COMPOSITION



| | | | | | |
|----------------|--------------------------|----------------|------------------|--------------------------|--------------------------|
| 6151-G | Ø44 | 6160-G | Ø60 | 6168-G | Ø25,4 |
| 1298 | 2 PISTON SEAL | 500 | 1272 | 1 PISTON SEAL | 500 |
| 8023 | 2 HARD CALIPER BOOT | 434 | 2027 | 1 CALIPER BOOT | 414 |
| 8168 | 2 PIN BUSHING | 619 | 2048 | 1 PIN BUSHING | 627 |
| 8214 | 2 PLASTIC CAP | 723 | 2270 | 1 PIN BUSHING | 620 |
| 1841 | 1 BLEEDER CAP | 718 | 795 | 1 BLEEDER CAP | 717 |
| 6152-G | Ø36 | RW-2933 | 1 RETAINING RING | 6170-G | Ø60 |
| 1270 | 1 PISTON SEAL | 500 | 6162-G | Ø38 | 8308 |
| 1876 | 1 CALIPER BOOT | 414 | 2465 | 2 PIN BUSHING | 634 |
| 795 | 1 BLEEDER CAP | 717 | 1905 | 1 PISTON SEAL | 500 |
| 6153-G | Ø60 | 2349 | 1 SEAL FOR GUIDE | 519 | 2227 |
| 1569 | 2 BOOT | 619 | 795 | 1 BLEEDER CAP | 717 |
| 1895 | 2 PLASTIC CAP | 723 | 8209 | 1 BOOT | 446 |
| 1265 | 1 PISTON SEAL | 500 | 6163-G | Ø54 | 8302 |
| 2097 | 1 HARD CALIPER BOOT | 433 | 8165 | 2 PIN BUSHING | 634 |
| 795 | 1 BLEEDER CAP | 717 | 1889 | 1 CALIPER BOOT | 414 |
| 6154-G | Ø34 | 2351 | 1 SEAL FOR GUIDE | 519 | 8303 |
| 8243 | 2 PIN BUSHING | 601 | 549-B | 1 SQUARE SECTION SEAL500 | 500 |
| 1841 | 1 BLEEDER CAP | 718 | 795 | 1 BLEEDER CAP | 717 |
| 546 | 1 SQUARE SECTION SEAL500 | 500 | RW-2927 | 1 RETAINING RING | |
| 8138 | 1 SEAL FOR GUIDE | 747 | 6164-G | Ø54 | 6172-G |
| 8210 | 1 BOOT | 400 | 2465 | 2 PIN BUSHING | 634 |
| 6155-G | Ø54 | 2349 | 1 SEAL FOR GUIDE | 519 | 2428 |
| 2027 | 1 CALIPER BOOT | 414 | 549-B | 1 SQUARE SECTION SEAL500 | 500 |
| 2061 | 1 PIN BUSHING | 627 | 795 | 1 BLEEDER CAP | 717 |
| 2272 | 1 BOOT | 236 | 8192 | 1 BOOT | 446 |
| 549-B | 1 SQUARE SECTION SEAL500 | 500 | 6165-G | Ø48 | 2118 |
| 795 | 1 BLEEDER CAP | 717 | 2061 | 2 PIN BUSHING | 627 |
| RW-2933 | 1 RETAINING RING | | 795 | 1 BLEEDER CAP | 717 |
| 6156-G | Ø48 | 8207 | 1 BOOT | 448 | 727 |
| 547 | 2 SQUARE SECTION SEAL500 | 500 | W-97 | 1 SQUARE SECTION SEAL500 | 500 |
| 8074 | 2 HARD CALIPER BOOT | 445 | 6166-G | Ø38 | 795 |
| 8190 | 2 PIN BUSHING | 601 | 2398 | 2 PIN BUSHING | 634 |
| 795 | 1 BLEEDER CAP | 717 | 1821 | 1 CALIPER BOOT | 414 |
| 8189 | 1 SEAL FOR GUIDE | 516 | 1905 | 1 PISTON SEAL | 500 |
| 6157-G | Ø30 | 795 | 1 BLEEDER CAP | 717 | 1932 |
| 8242 | 2 PIN BUSHING | 601 | 8304 | 1 SEAL FOR GUIDE | 519 |
| 1271 | 1 PISTON SEAL | 500 | RW-2974 | 1 RETAINING RING | |
| 1531 | 1 CALIPER BOOT | 400 | 6167-G | Ø45 | 795 |
| 1841 | 1 BLEEDER CAP | 718 | 1569 | 2 BOOT | 619 |
| 6158-G | Ø22,2 | 1895 | 2 PLASTIC CAP | 723 | 6176-G |
| 8235 | 2 SEAL | 26 | 1299 | 1 PISTON SEAL | 500 |
| 8245 | 2 BOOT | 243 | 1718 | 1 SEAL | 32 |
| 795 | 1 BLEEDER CAP | 717 | 2471 | 1 RETAINER SEAL | 720 |
| 6159-G | Ø19 | 795 | 1 BLEEDER CAP | 717 | 8329 |
| 1763 | 2 SEAL | 28 | 80011 | 1 O-RING | 65 |
| 8257 | 1 VALVE | 823 | 8023 | 1 HARD CALIPER BOOT | 434 |
| | | | | | 8325 |
| | | | | | 1 HARD CALIPER BOOT |
| | | | | | 445 |
| | | | | | 6173-G |
| | | | | | Ø48 |
| | | | | | 1838 |
| | | | | | 1 CALIPER BOOT |
| | | | | | 401 |
| | | | | | 547 |
| | | | | | 1 SQUARE SECTION SEAL500 |
| | | | | | 500 |
| | | | | | 795 |
| | | | | | 1 BLEEDER CAP |
| | | | | | 717 |
| | | | | | 6174-G |
| | | | | | Ø19 |
| | | | | | 2118 |
| | | | | | 2 SEAL |
| | | | | | 29 |
| | | | | | 727 |
| | | | | | 2 BOOT |
| | | | | | 209 |
| | | | | | 795 |
| | | | | | 1 BLEEDER CAP |
| | | | | | 717 |
| | | | | | 6175-G |
| | | | | | Ø63 |
| | | | | | 2043 |
| | | | | | 2 PIN BUSHING |
| | | | | | 620 |
| | | | | | 1292 |
| | | | | | 1 PISTON SEAL |
| | | | | | 500 |
| | | | | | 2268 |
| | | | | | 1 BOOT |
| | | | | | 414 |
| | | | | | 2351 |
| | | | | | 1 SEAL FOR GUIDE |
| | | | | | 519 |
| | | | | | RW-2995 |
| | | | | | 1 RETAINING RING |
| | | | | | 6176-G |
| | | | | | Ø48 |
| | | | | | 547 |
| | | | | | 4 SQUARE SECTION SEAL500 |
| | | | | | 449 |
| | | | | | 8329 |
| | | | | | 4 BOOT |
| | | | | | 449 |
| | | | | | RW-2923 |
| | | | | | 4 RETAINING RING |
| | | | | | 1932 |
| | | | | | 2 SQUARE SECTION SEAL501 |
| | | | | | 717 |
| | | | | | 795 |
| | | | | | 1 BLEEDER CAP |
| | | | | | 717 |
| | | | | | 6177-G |
| | | | | | Ø40 |
| | | | | | 1268 |
| | | | | | 2 PISTON SEAL |
| | | | | | 500 |
| | | | | | 1932 |
| | | | | | 2 SQUARE SECTION SEAL501 |
| | | | | | 500 |
| | | | | | 1281 |
| | | | | | 1 PISTON SEAL |
| | | | | | 500 |
| | | | | | 795 |
| | | | | | 1 BLEEDER CAP |
| | | | | | 717 |
| | | | | | 8095 |
| | | | | | 1 BOOT |
| | | | | | 447 |
| | | | | | 8200 |
| | | | | | 1 BOOT |
| | | | | | 438 |



REPAIR KITS COMPOSITION



| 6178-G Ø60 | | | 6185-G Ø48 | | | 6194-G Ø20,6 | | |
|---------------------|---|---------------------|----------------------|---|------------------------|----------------------|---|-------------------------|
| 1874 | 2 | PIN BUSHING 645 | 1910 | 2 | SQUARE SECTION SEAL501 | 1381 | 3 | SEAL 35 |
| 2048 | 2 | PIN BUSHING 627 | 2301 | 2 | BOOT 420 | 1382 | 2 | SEAL 54 |
| 1296 | 1 | PISTON SEAL 500 | 547 | 2 | SQUARE SECTION SEAL500 | 6195-G Ø20,64 | | |
| 2388 | 1 | BOOT 400 | RW-2923 | 2 | RETAINING RING | 1662 | 1 | SEAL 75 |
| 795 | 1 | BLEEDER CAP 717 | 795 | 1 | BLEEDER CAP 717 | 1687 | 1 | SEAL 27 |
| 6179-G Ø40 | | | 6186-G Ø42 | | | 2112 | 1 | SEAL 54 |
| 694 | 4 | PISTON SEAL 500 | 1297 | 2 | PISTON SEAL 500 | 2476 | 1 | O-RING 504 |
| 8236 | 4 | BOOT 438 | 2095 | 2 | HARD CALIPER BOOT 433 | 8040 | 1 | SEAL 54 |
| 795 | 1 | BLEEDER CAP 717 | 795 | 1 | BLEEDER CAP 717 | 6196-G Ø10 | | |
| 6180-G Ø34 | | | 6187-G Ø43 | | | 1670 | 2 | SEAL 54 |
| 8243 | 2 | PIN BUSHING 601 | 2465 | 2 | PIN BUSHING 634 | 1662 | 1 | SEAL 75 |
| 1295 | 1 | PISTON SEAL 500 | 1266 | 1 | PISTON SEAL 500 | 1687 | 1 | SEAL 27 |
| 1529 | 1 | CALIPER BOOT 400 | 2232 | 1 | SEAL FOR GUIDE 519 | 80063.70 | 1 | O-RING 65 |
| 1718 | 1 | SEAL 32 | 795 | 1 | BLEEDER CAP 717 | 6197-G Ø20,6 | | |
| 795 | 1 | BLEEDER CAP 717 | 8266 | 1 | BOOT 446 | 1670 | 2 | SEAL 54 |
| 80015 | 1 | O-RING 65 | 6188-G Ø38 | | | 1687 | 1 | SEAL 27 |
| 8138 | 1 | SEAL FOR GUIDE 747 | 1801 | 1 | CALIPER BOOT 400 | 80057 | 1 | O-RING 65 |
| G-28 | 1 | RETAINER SEAL 753 | 546-A | 1 | SQUARE SECTION SEAL500 | 80063.70 | 1 | O-RING 65 |
| 6181-G Ø43 | | | 795 | 1 | BLEEDER CAP 717 | 8326 | 1 | SEAL 31 |
| 1297 | 2 | PISTON SEAL 500 | 80025 | 1 | O-RING 65 | 6198-G Ø20,6 | | |
| 1890 | 2 | CALIPER BOOT 400 | 80081.70 | 1 | O-RING 65 | 791-A | 2 | CONNECTION SEAL 707 |
| 8254 | 2 | PIN BUSHING 649 | 6189-G Ø31,75 | | | 8365 | 2 | SEAL 757 |
| 1841 | 1 | BLEEDER CAP 718 | 82064 | 2 | WASHER | 1234 | 1 | SEAL 32 |
| 8151 | 1 | SEAL FOR GUIDE 518 | 8348 | 2 | SEAL 53 | 1244 | 1 | SEAL 32 |
| 6182-G Ø66 | | | 8352 | 1 | SEAL 51 | 1338 | 1 | SEAL 28 |
| 1874 | 2 | PIN BUSHING 645 | 8353 | 1 | SEAL 32 | 2587-R | 1 | SEAL 74 |
| 1505 | 1 | CALIPER BOOT 400 | GP-34 | 1 | SNAP RING | 694 | 1 | PISTON SEAL 500 |
| 1913 | 1 | PISTON SEAL 500 | 6190-G Ø17,5 | | | 82093 | 1 | PLASTIC SEAT |
| 795 | 1 | BLEEDER CAP 717 | 19 | 1 | VALVE SEAT 801 | 6199-G Ø22,2 | | |
| 6183-G Ø25,4 | | | 659 | 1 | SEAL 33 | 1443 | 2 | SEAL 54 |
| 1309 | 3 | SEAL 29 | 799-A | 1 | SQUARE SECTION SEAL501 | 1656 | 2 | SEAL 29 |
| 8310 | 2 | CONNECTION SEAL 702 | 821 | 1 | BOOT 254 | 6200-G Ø22,2 | | |
| 2104 | 1 | SEAL 65 | 6191-G Ø19 | | | 1226 | 2 | SEAL 32 |
| 80065.70 | 1 | O-RING 65 | 539 | 3 | SEAL 505 | 791-A | 2 | CONNECTION SEAL 707 |
| GP-36 | 1 | SNAP RING | 81018 | 2 | SQUARE SECTION SEAL 52 | 1367 | 1 | SEAL 38 |
| 6184-G Ø36 | | | 536 | 1 | SEAL 508 | 80100.70 | 1 | O-RING 65 |
| 2428 | 2 | PIN BUSHING 601 | 801 | 1 | BOOT 251 | 8197 | 1 | SET PLASTIC + RUBBER 77 |
| 1270 | 1 | PISTON SEAL 500 | 6192-G Ø19 | | | GP-1014 | 1 | SNAP RING |
| 2379 | 1 | BOOT 443 | 1697 | 2 | SEAL 54 | 6201-G Ø23,8 | | |
| 2429 | 1 | SEAL FOR GUIDE 516 | 1241 | 1 | SEAL 29 | 561 | 2 | SEAL 2 |
| 2491 | 1 | SEAL 734 | 657 | 1 | SEAL 32 | 791-A | 2 | CONNECTION SEAL 707 |
| 795 | 1 | BLEEDER CAP 717 | 6193-G Ø19 | | | 1640 | 1 | SEAL 38 |
| 8006 | 1 | SEAL 39 | 2124 | 2 | SEAL 54 | 80100.70 | 1 | O-RING 65 |
| 80079 | 1 | O-RING 65 | 8014 | 2 | SEAL 29 | 8197 | 1 | SET PLASTIC + RUBBER 77 |
| | | | | | | GP-1014 | 1 | SNAP RING |



REPAIR KITS COMPOSITION

| | | | | | | | | | |
|---------------|-------------------|---------------|-----------------|-------------------------|---------------------|---------------------|-----------------------|---------------|-----|
| 6202-G | Ø23,8 | 6209-G | Ø25,4 | 6216-G | Ø28 | | | | |
| 1244 | 2 SEAL | 32 | 1664 | 2 SEAL | 38 | | | | |
| 1255 | 2 SEAL | 49 | 1657 | 1 SEAL | 59 | | | | |
| 791-A | 2 CONNECTION SEAL | 707 | 1879 | 1 CONNECTION SEAL | 713 | | | | |
| 694 | 1 PISTON SEAL | 500 | 636 | 1 SEAL | 42 | | | | |
| 6203-G | Ø24 | 80054 | 1 O-RING | 65 | 8178 | 2 HARD CALIPER BOOT | 429 | | |
| 1245 | 2 SEAL | 32 | 80071.70 | 1 O-RING | 65 | 8187 | 2 HARD CALIPER BOOT | 429 | |
| 1816 | 2 CONNECTION SEAL | 704 | 8310 | 1 CONNECTION SEAL | 702 | 6217-G | Ø28 | | |
| 1490 | 1 SEAL | 29 | 6210-G | Ø25,4 | 1271 | 2 PISTON SEAL | 500 | | |
| 1640 | 1 SEAL | 38 | 2171 | 2 SEAL | 54 | 1289 | 2 SQUARE SECTION SEAL | 501 | |
| 82050 | 1 WASHER | | 2475 | 2 CONNECTION SEAL | 703 | 1294 | 2 PISTON SEAL | 500 | |
| GP-25 | 1 SNAP RING | | 82055 | 2 WASHER | | 1841 | 2 BLEEDER CAP | 718 | |
| 6204-G | Ø23,8 | 8327 | 1 SEAL | 26 | 8120 | 2 HARD CALIPER BOOT | 429 | | |
| 1490 | 3 SEAL | 29 | 8328 | 1 SEAL | 26 | 8178 | 2 HARD CALIPER BOOT | 429 | |
| 2307 | 2 CONNECTION SEAL | 707 | GP-28 | 1 SNAP RING | | 6218-G | Ø30 | | |
| 2584-R | 2 O-RING | 504 | 6211-G | Ø25,4 | 892 | 4 PIN BUSHING | 622 | | |
| 2586-R | 2 SEAL | 45 | 1244 | 2 SEAL | 32 | 80112.70 | 2 O-RING | 65 | |
| 80063.70 | 1 O-RING | 65 | 1816 | 2 CONNECTION SEAL | 704 | 1271 | 1 PISTON SEAL | 500 | |
| 6205-G | Ø23,8 | 1641 | 1 SEAL | 29 | 1541 | 1 CALIPER BOOT | 408 | | |
| 1242 | 2 SEAL | 54 | 548 | 1 SQUARE SECTION SEAL | 500 | 1841 | 1 BLEEDER CAP | 718 | |
| 8364 | 2 SEAL | 509 | 8197 | 1 SET PLASTIC + RUBBER | 77 | 80037 | 1 O-RING | 65 | |
| 1245 | 1 SEAL | 32 | 6212-G | Ø27 | 8220 | 1 HANDBRAKE BOOT | 638 | | |
| 80061 | 1 O-RING | 65 | 8065 | 2 CONNECTION SEAL | 703 | BRIDA-1 | 1 BINDING HOOP | | |
| 8036 | 1 PISTON SEAL | 500 | 8228 | 2 SEAL | 78 | 6219-G | Ø30 | | |
| GP-1014 | 1 SNAP RING | | 8232 | 2 SEAL | 45 | 1270 | 2 PISTON SEAL | 500 | |
| 6206-G | Ø24 | 6213-G | Ø27 | 1295 | 2 PISTON SEAL | 500 | 1271 | 2 PISTON SEAL | 500 |
| 1490 | 3 SEAL | 29 | 2594-R | 2 SEAL | 24 | 1814 | 2 HARD CALIPER BOOT | 429 | |
| 8249 | 2 CONNECTION SEAL | 703 | 791 | 2 CONNECTION SEAL | 702 | 8120 | 2 HARD CALIPER BOOT | 429 | |
| 1242 | 1 SEAL | 54 | 1931 | 1 PISTON SEAL | 500 | 8122 | 2 HARD CALIPER BOOT | 429 | |
| 795 | 1 BLEEDER CAP | 717 | 2104 | 1 SEAL | 65 | 795 | 1 BLEEDER CAP | 717 | |
| 82026 | 1 WASHER | | 8350 | 1 SEAL | 454 | 6220-G | Ø32 | | |
| GP-26 | 1 SNAP RING | | GP-36 | 1 SNAP RING | | 1295 | 2 PISTON SEAL | 500 | |
| 6207-G | Ø24 | 6214-G | Ø28,6 | 1814 | 2 HARD CALIPER BOOT | 429 | 1841 | 2 BLEEDER CAP | 718 |
| 1645 | 3 SEAL | 44 | 1495 | 2 SEAL | 39 | 1916 | 2 PISTON SEAL | 500 | |
| 791 | 2 CONNECTION SEAL | 702 | 1762 | 2 VALVE (WITHOUT SLOTS) | 805 | 546-A | 2 SQUARE SECTION SEAL | 500 | |
| 1298 | 1 PISTON SEAL | 500 | 1634 | 1 SEAL | 54 | 8154 | 2 HARD CALIPER BOOT | 429 | |
| 2104 | 1 SEAL | 65 | 2186 | 1 SEAL | 27 | 8187 | 2 HARD CALIPER BOOT | 429 | |
| 6208-G | Ø25,4 | GP-32 | 1 SNAP RING | | 6221-G | Ø34 | | | |
| 1365 | 2 SEAL | 29 | 6215-G | Ø27 | 1885 | 2 PIN BUSHING | 604 | | |
| 1308 | 1 SEAL | 53 | 1270 | 2 PISTON SEAL | 500 | 1295 | 1 PISTON SEAL | 500 | |
| 1309 | 1 SEAL | 29 | 1294 | 2 PISTON SEAL | 500 | 1529 | 1 CALIPER BOOT | 400 | |
| | | | 1916 | 2 PISTON SEAL | 500 | 1718 | 1 SEAL | 32 | |
| | | | 8122 | 2 HARD CALIPER BOOT | 429 | 795 | 1 BLEEDER CAP | 717 | |
| | | | 8178 | 2 HARD CALIPER BOOT | 429 | 80015 | 1 O-RING | 65 | |
| | | | 8187 | 2 HARD CALIPER BOOT | 429 | 8305 | 1 RETAINER SEAL | 754 | |
| | | | 1841 | 1 BLEEDER CAP | 718 | | | | |



REPAIR KITS COMPOSITION

| | | | | | |
|---------------|----------------------|---------------|---------------|--------------------------|------------|
| 6222-G | Ø34 | 6229-G | Ø34 | 6236-G | Ø38 |
| 1874 | 2 PIN BUSHING | 645 | 8243 | 2 PIN BUSHING | 601 |
| 1295 | 1 PISTON SEAL | 500 | 1295 | 1 PISTON SEAL | 500 |
| 1872 | 1 CALIPER BOOT | 400 | 1718 | 1 SEAL | 32 |
| 795 | 1 BLEEDER CAP | 717 | 1801 | 1 CALIPER BOOT | 400 |
| 8205 | 1 O-RING | 504 | 2051 | 1 RETAINER SEAL SEAL | 720 |
| 6223-G | | Ø34 | 6230-G | | Ø35 |
| 2061 | 2 PIN BUSHING | 627 | 2465 | 2 PIN BUSHING | 634 |
| 1280 | 1 PISTON SEAL | 500 | 1270 | 1 PISTON SEAL | 500 |
| 795 | 1 BLEEDER CAP | 717 | 1595 | 1 BOOT | 414 |
| 8230 | 1 HARD CALIPER BOOT | 448 | 2349 | 1 SEAL FOR GUIDE | 519 |
| 6224-G | | Ø34 | 795 | 1 BLEEDER CAP | 717 |
| 8242 | 2 PIN BUSHING | 601 | RW-2989 | 1 RETAINING RING | |
| 1295 | 1 PISTON SEAL | 500 | 6231-G | | Ø36 |
| 1872 | 1 CALIPER BOOT | 400 | 1270 | 2 PISTON SEAL | 500 |
| 795 | 1 BLEEDER CAP | 717 | 1817 | 2 BOOT | 420 |
| 6225-G | | Ø34 | RW-2930 | 2 RETAINING RING | |
| 1295 | 1 PISTON SEAL | 500 | 795 | 1 BLEEDER CAP | 717 |
| 795 | 1 BLEEDER CAP | 717 | 6232-G | | Ø36 |
| 80025 | 1 O-RING | 65 | 1270 | 6 PISTON SEAL | 500 |
| 80081.70 | 1 O-RING | 65 | 8122 | 6 HARD CALIPER BOOT | 429 |
| 8210 | 1 BOOT | 400 | 1841 | 2 BLEEDER CAP | 718 |
| 6226-G | | Ø34 | 6233-G | | Ø36 |
| 2458 | 2 PIN BUSHING | 601 | 8252 | 2 PIN BUSHING | 620 |
| 8241 | 2 SEAL FOR GUIDE | 519 | 1270 | 1 PISTON SEAL | 500 |
| 1295 | 1 PISTON SEAL | 500 | 2234 | 1 BOOT | 416 |
| 1718 | 1 SEAL | 32 | 795 | 1 BLEEDER CAP | 717 |
| 2051 | 1 RETAINER SEAL SEAL | 720 | RW-2989 | 1 RETAINING RING | |
| 795 | 1 BLEEDER CAP | 717 | 6234-G | | Ø36 |
| 80016 | 1 O-RING | 65 | 1268 | 2 PISTON SEAL | 500 |
| 8210 | 1 BOOT | 400 | 1270 | 2 PISTON SEAL | 500 |
| 6227-G | | Ø34 | 2499 | 2 HARD CALIPER BOOT | 429 |
| 1270 | 4 PISTON SEAL | 500 | 546-A | 2 SQUARE SECTION SEAL500 | |
| 8122 | 4 HARD CALIPER BOOT | 429 | 8122 | 2 HARD CALIPER BOOT | 429 |
| 1295 | 2 PISTON SEAL | 500 | 8154 | 2 HARD CALIPER BOOT | 429 |
| 1814 | 2 HARD CALIPER BOOT | 429 | 6235-G | | Ø38 |
| 1841 | 2 BLEEDER CAP | 718 | 2428 | 2 PIN BUSHING | 601 |
| 6228-G | | Ø34 | 2429 | 1 SEAL FOR GUIDE | 516 |
| 8243 | 2 PIN BUSHING | 601 | 2492 | 1 HARD CALIPER BOOT | 433 |
| 1295 | 1 PISTON SEAL | 500 | 546-A | 1 SQUARE SECTION SEAL500 | |
| 1872 | 1 CALIPER BOOT | 400 | 795 | 1 BLEEDER CAP | 717 |
| 2068 | 1 SEAL | 513 | 6240-G | | Ø38 |
| 795 | 1 BLEEDER CAP | 717 | 2353 | 2 PIN BUSHING | 655 |
| 8138 | 1 SEAL FOR GUIDE | 747 | 1713 | 1 SEAL | 39 |
| | | | 2254 | 1 BOOT | 400 |
| | | | 546-A | 1 SQUARE SECTION SEAL500 | |
| | | | 795 | 1 BLEEDER CAP | 717 |
| | | | 80015 | 1 O-RING | 65 |
| | | | 8258 | 1 RETAINER SEAL | 748 |
| | | | 6241-G | | Ø38 |
| | | | 8308 | 2 BOOT | 604 |
| | | | 1718 | 1 SEAL | 32 |
| | | | 2227 | 1 SEAL FOR GUIDE | 518 |
| | | | 546-A | 1 SQUARE SECTION SEAL500 | |
| | | | 795 | 1 BLEEDER CAP | 717 |
| | | | 80016 | 1 O-RING | 65 |
| | | | 8306 | 1 HARD CALIPER BOOT | 434 |
| | | | 8307 | 1 RETAINER SEAL | 755 |



REPAIR KITS COMPOSITION

| | | | | | | | | |
|-------------------|-----------------------|-----|-------------------|-----------------------|-----|-------------------|---------------------|-----|
| 6242-G Ø38 | | | 6248-G Ø40 | | | 6256-G Ø42 | | |
| 2350 | 2 PIN BUSHING | 651 | 1885 | 2 PIN BUSHING | 604 | 1297 | 2 PISTON SEAL | 500 |
| 1801 | 1 CALIPER BOOT | 400 | 1268 | 1 PISTON SEAL | 500 | 1895 | 2 PLASTIC CAP | 723 |
| 546-A | 1 SQUARE SECTION SEAL | 500 | 2264 | 1 BOOT | 400 | 2312 | 2 BOOT | 400 |
| 795 | 1 BLEEDER CAP | 717 | 795 | 1 BLEEDER CAP | 717 | 2459 | 2 PIN BUSHING | 619 |
| 80025 | 1 O-RING | 65 | 8151 | 1 SEAL FOR GUIDE | 518 | 795 | 1 BLEEDER CAP | 717 |
| 8202 | 1 SEAL FOR GUIDE | 519 | 6249-G Ø40 | | | 6257-G Ø42 | | |
| 6243-G Ø38 | | | 2350 | 2 PIN BUSHING | 651 | 1569 | 2 BOOT | 619 |
| 8137 | 2 PIN BUSHING | 601 | 1268 | 1 PISTON SEAL | 500 | 1895 | 2 PLASTIC CAP | 723 |
| 1509 | 1 CALIPER BOOT | 400 | 2312 | 1 BOOT | 400 | 1297 | 1 PISTON SEAL | 500 |
| 1905 | 1 PISTON SEAL | 500 | 795 | 1 BLEEDER CAP | 717 | 2377 | 1 BOOT | 434 |
| 795 | 1 BLEEDER CAP | 717 | 6250-G Ø40 | | | 795 | 1 BLEEDER CAP | 717 |
| 8138 | 1 SEAL FOR GUIDE | 747 | 1885 | 2 PIN BUSHING | 604 | 80079 | 1 O-RING | 65 |
| 6244-G Ø38 | | | 1268 | 1 PISTON SEAL | 500 | 80081.70 | 1 O-RING | 65 |
| 1569 | 2 BOOT | 619 | 2227 | 1 SEAL FOR GUIDE | 518 | 6258-G Ø42 | | |
| 1895 | 2 PLASTIC CAP | 723 | 795 | 1 BLEEDER CAP | 717 | 1297 | 2 PISTON SEAL | 500 |
| 2431 | 1 HARD CALIPER BOOT | 434 | 8358 | 1 BOOT | 400 | 8319 | 2 PIN BUSHING | 653 |
| 546-A | 1 SQUARE SECTION SEAL | 500 | 6251-G Ø42 | | | G-24 | 2 HARD CALIPER BOOT | 433 |
| 795 | 1 BLEEDER CAP | 717 | 1297 | 2 PISTON SEAL | 500 | 795 | 1 BLEEDER CAP | 717 |
| 80079 | 1 O-RING | 65 | 2377 | 2 BOOT | 434 | 6259-G Ø43 | | |
| 80081.70 | 1 O-RING | 65 | 8168 | 2 PIN BUSHING | 619 | 8242 | 2 PIN BUSHING | 601 |
| 6245-G Ø40 | | | 8214 | 2 PLASTIC CAP | 723 | 1297 | 1 PISTON SEAL | 500 |
| 1268 | 2 PISTON SEAL | 500 | 1841 | 1 BLEEDER CAP | 718 | 1841 | 1 BLEEDER CAP | 718 |
| 1299 | 2 PISTON SEAL | 500 | 6252-G Ø42 | | | 1890 | 1 CALIPER BOOT | 400 |
| 2499 | 2 HARD CALIPER BOOT | 429 | 1297 | 2 PISTON SEAL | 500 | 6260-G Ø43 | | |
| 8215 | 2 BOOT | 429 | 8144 | 2 HARD CALIPER BOOT | 429 | 1297 | 2 PISTON SEAL | 500 |
| 795 | 1 BLEEDER CAP | 717 | 1841 | 1 BLEEDER CAP | 718 | 1894 | 2 CALIPER BOOT | 400 |
| 6246-G Ø40 | | | 6253-G Ø42 | | | 2049 | 1 BOOT | 608 |
| 2353 | 2 PIN BUSHING | 655 | 1289 | 2 SQUARE SECTION SEAL | 501 | 2050 | 1 BOOT | 617 |
| 1268 | 1 PISTON SEAL | 500 | 1297 | 2 PISTON SEAL | 500 | 795 | 1 BLEEDER CAP | 717 |
| 1713 | 1 SEAL | 39 | 8094 | 2 HARD CALIPER BOOT | 430 | 6261-G Ø43 | | |
| 2356 | 1 RETAINER SEAL | 729 | 795 | 1 BLEEDER CAP | 717 | 1297 | 2 PISTON SEAL | 500 |
| 2363 | 1 BOOT | 403 | RW-3026 | 1 HEAT SHIELD | | 2401 | 2 BOOT | 422 |
| 795 | 1 BLEEDER CAP | 717 | RW-3027 | 1 HEAT SHIELD | | RW-2921 | 2 RETAINING RING | |
| 80015 | 1 O-RING | 65 | 6254-G Ø42 | | | 1718 | 1 SEAL | 32 |
| 6247-G Ø40 | | | 8243 | 2 PIN BUSHING | 601 | 1841 | 1 BLEEDER CAP | 718 |
| 8308 | 2 BOOT | 604 | 1297 | 1 PISTON SEAL | 500 | 80015 | 1 O-RING | 65 |
| 1268 | 1 PISTON SEAL | 500 | 1841 | 1 BLEEDER CAP | 718 | 6262-G Ø43 | | |
| 1718 | 1 SEAL | 32 | 2045 | 1 CALIPER BOOT | 400 | 1297 | 2 PISTON SEAL | 500 |
| 2227 | 1 SEAL FOR GUIDE | 518 | 8138 | 1 SEAL FOR GUIDE | 747 | 1890 | 2 CALIPER BOOT | 400 |
| 795 | 1 BLEEDER CAP | 717 | 6255-G Ø42 | | | 2350 | 2 PIN BUSHING | 651 |
| 80016 | 1 O-RING | 65 | 1297 | 2 PISTON SEAL | 500 | 795 | 1 BLEEDER CAP | 717 |
| 8306 | 1 HARD CALIPER BOOT | 434 | 1590 | 2 BOOT | 642 | 8202 | 1 SEAL FOR GUIDE | 519 |
| 8307 | 1 RETAINER SEAL | 755 | 2363 | 2 BOOT | 403 | | | |
| | | | 82085 | 2 COOPER WASHER | | | | |
| | | | TR-4 | 2 SCREW | | | | |
| | | | 795 | 1 BLEEDER CAP | 717 | | | |



REPAIR KITS COMPOSITION

| | | | | | |
|---------------|--------------------------|---------------|---------------|--------------------------|--------------------------|
| 6286-G | Ø48 | 6293-G | Ø51 | 6301-G | Ø54 |
| 2099 | 2 HARD CALIPER BOOT | 433 | 2314 | 2 PIN BUSHING | 608 |
| 547 | 2 SQUARE SECTION SEAL500 | 8205 | 2 O-RING | 504 | 2047 |
| 8190 | 2 PIN BUSHING | 601 | G-26 | 2 PIN BUSHING | 642 |
| 795 | 1 BLEEDER CAP | 717 | 1279 | 1 PISTON SEAL | 500 |
| 8189 | 1 SEAL FOR GUIDE | 516 | 2041 | 1 BOOT | 440 |
| 6287-G | Ø48 | 795 | 1 BLEEDER CAP | 717 | 6302-G |
| 2434 | 2 PIN BUSHING | 603 | RW-2925 | 1 RETAINING RING | Ø54 |
| 2443 | 2 CAP | 733 | 6294-G | Ø51 | 2398 |
| 547 | 2 SQUARE SECTION SEAL500 | 8268 | 2295 | 1 BOOT | 418 |
| 1841 | 1 BLEEDER CAP | 401 | 548-A | 1 SQUARE SECTION SEAL500 | 1889 |
| 8264 | 1 SEAL FOR GUIDE | 516 | 795 | 1 BLEEDER CAP | 717 |
| 6288-G | Ø48 | 6295-G | Ø51 | RW-2932 | 1 RETAINING RING |
| 2443 | 2 CAP | 733 | 2324 | 1 BOOT | 417 |
| 547 | 2 SQUARE SECTION SEAL500 | 8131 | 548-A | 1 SQUARE SECTION SEAL500 | 2458 |
| 8309 | 2 PIN BUSHING | 650 | 795 | 1 BLEEDER CAP | 717 |
| 795 | 1 BLEEDER CAP | 717 | RW-2928 | 1 RETAINING RING | 1518 |
| 6289-G | Ø48 | 6296-G | Ø51 | 549 | 1 SQUARE SECTION SEAL500 |
| 2457 | 2 PIN BUSHING | 604 | 1547 | 2 PIN BUSHING | 604 |
| 2099 | 1 HARD CALIPER BOOT | 433 | 1560 | 1 CALIPER BOOT | 400 |
| 2429 | 1 SEAL FOR GUIDE | 516 | 548-A | 1 SQUARE SECTION SEAL500 | 2061 |
| 547 | 1 SQUARE SECTION SEAL500 | 795 | 795 | 1 BLEEDER CAP | 717 |
| 795 | 1 BLEEDER CAP | 717 | 6297-G | Ø51 | 549 |
| 6290-G | Ø48 | 6298-G | Ø51 | 795 | 1 BLEEDER CAP |
| 1524 | 2 CALIPER BOOT | 400 | 2314 | 2 PIN BUSHING | 608 |
| 547 | 2 SQUARE SECTION SEAL500 | 8251 | 1560 | 1 CALIPER BOOT | 400 |
| 1841 | 1 BLEEDER CAP | 718 | 2257 | 1 PIN BUSHING | 627 |
| 8261 | 1 SEAL FOR GUIDE | 518 | 691 | 1 PISTON SEAL | 500 |
| 6291-G | Ø48 | 795 | 795 | 1 BLEEDER CAP | 717 |
| TR-4 | 2 SCREW | 6299-G | Ø51 | 6305-G | Ø54 |
| 1553 | 1 CALIPER BOOT | 400 | 1902 | 1 PISTON SEAL | 500 |
| 548 | 1 SQUARE SECTION SEAL500 | 2295 | 2295 | 1 BOOT | 418 |
| 6292-G | Ø48 | 795 | 795 | 1 BLEEDER CAP | 717 |
| 2099 | 2 HARD CALIPER BOOT | 433 | RW-2932 | 1 RETAINING RING | 6306-G |
| 2428 | 2 PIN BUSHING | 601 | 6300-G | Ø52 | Ø54 |
| 2429 | 2 SEAL FOR GUIDE | 516 | 1524 | 1 CALIPER BOOT | 400 |
| 547 | 2 SQUARE SECTION SEAL500 | 795 | 2057 | 1 PIN BUSHING | 605 |
| 795 | 1 BLEEDER CAP | 717 | 2058 | 1 PIN BUSHING | 610 |
| | | | 548-A | 1 SQUARE SECTION SEAL500 | 6307-G |
| | | | 8362 | 1 PIN BUSHING | 627 |
| | | | | | Ø54 |
| | | | | | 2048 |
| | | | | | 2 PIN BUSHING |
| | | | | | 627 |
| | | | | | 1518 |
| | | | | | 1 CALIPER BOOT |
| | | | | | 400 |
| | | | | | 549 |
| | | | | | 1 SQUARE SECTION SEAL500 |
| | | | | | 717 |
| | | | | | 795 |
| | | | | | 1 BLEEDER CAP |
| | | | | | 717 |
| | | | | | 6308-G |
| | | | | | Ø54 |
| | | | | | 2054 |
| | | | | | 2 PIN BUSHING |
| | | | | | 644 |
| | | | | | 1868 |
| | | | | | 1 CALIPER BOOT |
| | | | | | 400 |
| | | | | | 549 |
| | | | | | 1 SQUARE SECTION SEAL500 |
| | | | | | 717 |
| | | | | | 795 |
| | | | | | 1 BLEEDER CAP |
| | | | | | 717 |
| | | | | | 8241 |
| | | | | | 1 SEAL FOR GUIDE |
| | | | | | 519 |



REPAIR KITS COMPOSITION

| | | | | | |
|---------------|-----------------------|---------------|---------------------|---------------|------------------|
| 6309-G | Ø55 | 6317-G | Ø57 | 6325-G | Ø60 |
| 549-B | 2 SQUARE SECTION SEAL | 2348 | 2 PIN BUSHING | 8243 | 2 PIN BUSHING |
| 8360 | 2 BOOT | 1272 | 1 PISTON SEAL | 1265 | 1 PISTON SEAL |
| 795 | 1 BLEEDER CAP | 2349 | 1 SEAL FOR GUIDE | 1512 | 1 CALIPER BOOT |
| 6310-G | Ø57 | 795 | 1 BLEEDER CAP | 795 | 1 BLEEDER CAP |
| 8165 | 2 PIN BUSHING | 8219 | 1 HARD CALIPER BOOT | 8138 | 1 SEAL FOR GUIDE |
| 1272 | 1 PISTON SEAL | 6318-G | Ø57 | 6326-G | Ø60 |
| 2274 | 1 BOOT | 2458 | 2 PIN BUSHING | 1296 | 1 PISTON SEAL |
| 2351 | 1 SEAL FOR GUIDE | 1281 | 1 PISTON SEAL | 1841 | 1 BLEEDER CAP |
| 795 | 1 BLEEDER CAP | 1873 | 1 CALIPER BOOT | 2244 | 1 BOOT |
| RW-2927 | 1 RETAINING RING | 795 | 1 BLEEDER CAP | 6327-G | Ø60 |
| 6311-G | Ø57 | 8241 | 1 SEAL FOR GUIDE | 8309 | 2 PIN BUSHING |
| 8165 | 2 PIN BUSHING | 6319-G | Ø57 | 1265 | 1 PISTON SEAL |
| 1272 | 1 PISTON SEAL | 1281 | 2 PISTON SEAL | 2365 | 1 BOOT |
| 1889 | 1 CALIPER BOOT | 8377 | 2 HARD CALIPER BOOT | 795 | 1 BLEEDER CAP |
| 795 | 1 BLEEDER CAP | 795 | 1 BLEEDER CAP | 6328-G | Ø60 |
| RW-2927 | 1 RETAINING RING | 6320-G | Ø60 | 2350 | 2 PIN BUSHING |
| 6312-G | Ø57 | 8165 | 2 PIN BUSHING | 1296 | 1 PISTON SEAL |
| 2373 | 2 PIN BUSHING | 1265 | 1 PISTON SEAL | 2244 | 1 BOOT |
| 8201 | 2 SEAL FOR GUIDE | 2274 | 1 BOOT | 795 | 1 BLEEDER CAP |
| 1272 | 1 PISTON SEAL | 2351 | 1 SEAL FOR GUIDE | 8202 | 1 SEAL FOR GUIDE |
| 1873 | 1 CALIPER BOOT | 795 | 1 BLEEDER CAP | 6329-G | Ø60 |
| 795 | 1 BLEEDER CAP | RW-2927 | 1 RETAINING RING | 1265 | 1 PISTON SEAL |
| 6313-G | Ø57 | 6321-G | Ø60 | 1807 | 1 PIN BUSHING |
| 2048 | 2 PIN BUSHING | 8168 | 2 PIN BUSHING | 2047 | 1 BOOT |
| 1281 | 1 PISTON SEAL | 8214 | 2 PLASTIC CAP | 2215 | 1 PIN BUSHING |
| 1841 | 1 BLEEDER CAP | 1265 | 1 PISTON SEAL | 795 | 1 BLEEDER CAP |
| 1875 | 1 CALIPER BOOT | 1841 | 1 BLEEDER CAP | 8355 | 1 BOOT |
| 6314-G | Ø57 | 2395 | 1 BOOT | 6330-G | Ø60 |
| 2054 | 2 PIN BUSHING | 6322-G | Ø60 | 1590 | 2 BOOT |
| 1272 | 1 PISTON SEAL | 2353 | 2 PIN BUSHING | 1286 | 1 PISTON SEAL |
| 8219 | 1 HARD CALIPER BOOT | 1265 | 1 PISTON SEAL | 795 | 1 BLEEDER CAP |
| 6315-G | Ø57 | 2227 | 1 SEAL FOR GUIDE | 8355 | 1 BOOT |
| 8243 | 2 PIN BUSHING | 2388 | 1 BOOT | 6331-G | Ø60 |
| 1272 | 1 PISTON SEAL | 795 | 1 BLEEDER CAP | 1265 | 1 PISTON SEAL |
| 1841 | 1 BLEEDER CAP | 6323-G | Ø60 | 795 | 1 BLEEDER CAP |
| 1873 | 1 CALIPER BOOT | 2350 | 2 PIN BUSHING | 8356 | 1 BOOT |
| 8138 | 1 SEAL FOR GUIDE | 1265 | 1 PISTON SEAL | 6332-G | Ø60 |
| 6316-G | Ø57 | 1841 | 1 BLEEDER CAP | 1286 | 1 PISTON SEAL |
| 2350 | 2 PIN BUSHING | 2365 | 1 BOOT | 795 | 1 BLEEDER CAP |
| 1272 | 1 PISTON SEAL | 8202 | 1 SEAL FOR GUIDE | 8356 | 1 BOOT |
| 1545 | 1 BOOT | 6324-G | Ø60 | 6333-G | Ø61 |
| 795 | 1 BLEEDER CAP | 1269 | 1 PISTON SEAL | 1885 | 2 PIN BUSHING |
| 8202 | 1 SEAL FOR GUIDE | 2066 | 1 CALIPER BOOT | 1265 | 1 PISTON SEAL |
| | | 2272 | 1 BOOT | 1512 | 1 CALIPER BOOT |
| | | 8240 | 1 PIN BUSHING | 2227 | 1 SEAL FOR GUIDE |
| | | 8256 | 1 PIN BUSHING | 795 | 1 BLEEDER CAP |
| | | RW-2927 | 1 RETAINING RING | | |



REPAIR KITS COMPOSITION

| | | | | | | | | | |
|-----------------|--------------------------|----------------|--------------------------|--------------------------|--------------------|----------------|-------------------|--------|-----|
| 10114-G | Ø19 | 10148 | Ø22,2 | 10165-G | Ø30 | | | | |
| 553-A | 1 SEAL | 7 | 1148 | 1 VALVE | 807 | | | | |
| 640 | 1 SEAL | 49 | 526 | 1 SEAL | 16 | | | | |
| 82031 | 1 WASHER | | 554 | 1 SEAL | 5 | | | | |
| GP-26 | 1 SNAP RING | | 810 | 1 PIN BUSHING | 301 | | | | |
| 10117 | Ø28,6 | 82046 | 1 WASHER | 10166-G | Ø28,6 | | | | |
| 689-C | 1 SEAL | 61 | GP-30 | 1 SNAP RING | 9 | | | | |
| 734-A | 1 BOOT | 236 | MLL-17 | 1 SPRING | 204 | | | | |
| 795 | 1 BLEEDER CAP | 717 | PT-15 | 1 PISTON | 717 | | | | |
| 796 | 1 SQUARE SECTION SEAL502 | | 10150-G | Ø48 | 10167-G | Ø34,5 | | | |
| MLL-23 | 1 SPRING | | 548 | 2 SQUARE SECTION SEAL500 | 795 | 1 BLEEDER CAP | 717 | | |
| PT-21 | 1 PISTON | | 784 | 2 CALIPER BOOT | 410 | C-781 | 1 SEAL | 32 | |
| 10118-G | Ø39,7 | 795 | 1 BLEEDER CAP | 717 | 10168-G | Ø19 | C-797 | 1 BOOT | 214 |
| 639 | 2 SEAL | 32 | 10153 | Ø19 | 603 | 2 SEAL | 9 | | |
| 795 | 1 BLEEDER CAP | 717 | 550-C | 1 SEAL | 10 | 703 | 2 BOOT | 200 | |
| 843 | 1 PIN BUSHING | 324 | 640 | 1 SEAL | 49 | 795 | 1 BLEEDER CAP | 717 | |
| 10119-G | Ø44,4 | 796 | 1 SQUARE SECTION SEAL502 | 82001 | 1 ALUMINIUM WASHER | 10172-G | Ø28,6 | | |
| 628 | 2 SEAL | 32 | GP-26 | 1 SNAP RING | | 795 | 1 BLEEDER CAP | 717 | |
| 789 | 2 BOOT | 202 | MLL-5 | 1 SPRING | | C-729 | 1 SEAL | 32 | |
| 795 | 1 BLEEDER CAP | 717 | PT-5 | 1 PISTON | | 10173-G | Ø23,8 | | |
| 10120 | Ø27 | 10156 | Ø25,4 | 10174-G | Ø28,6 | 609 | 2 SEAL | 9 | |
| 634 | 1 SEAL | 50 | 1150 | 1 VALVE | 808 | 705 | 2 BOOT | 203 | |
| 744 | 1 BOOT | 255 | 510-A | 1 SEAL | 15 | 795 | 1 BLEEDER CAP | 717 | |
| 795 | 1 BLEEDER CAP | 717 | 560 | 1 SEAL | 1 | 10175-G | Ø20,6 | | |
| MLL-22 | 1 SPRING | | 810 | 1 PIN BUSHING | 301 | 607 | 2 SEAL | 9 | |
| PT-20 | 1 PISTON | | GP-30 | 1 SNAP RING | | C-796 | 2 BOOT | 204 | |
| 10123 | Ø30 | 10159 | Ø19 | 10177-G | Ø22,2 | 795 | 1 BLEEDER CAP | 717 | |
| 689-E | 1 SEAL | 61 | 550-C | 1 SEAL | 10 | 10180-G | Ø25,4 | | |
| 795 | 1 BLEEDER CAP | 717 | 640 | 1 SEAL | 49 | 646-B | 3 SEAL | 49 | |
| 796 | 1 SQUARE SECTION SEAL502 | | 81015 | 1 SQUARE SECTION SEAL | 52 | 649 | 2 SEAL | 27 | |
| 828 | 1 BOOT | 257 | GP-26 | 1 SNAP RING | | 791-A | 2 CONNECTION SEAL | 707 | |
| MLL-25 | 1 SPRING | | MLL-6 | 1 SPRING | | 82061 | 2 WASHER | | |
| PT-23 | 1 PISTON | | MLL-7 | 1 SPRING | | 10181-G | Ø28,6 | | |
| 10128-GV | Ø25,4 | 10163-G | Ø30 | 612 | 2 SEAL | 9 | | | |
| 1150 | 1 VALVE | 808 | 714 | 2 BOOT | 211 | 712-A | 2 BOOT | 213 | |
| 510 | 1 SEAL | 13 | C-767 | 2 SEAL | 30 | 795 | 1 BLEEDER CAP | 717 | |
| 560 | 1 SEAL | 1 | 795 | 1 BLEEDER CAP | 717 | | | | |
| 10146 | Ø19 | | | | | | | | |
| 553-A | 1 SEAL | 7 | | | | | | | |
| 640 | 1 SEAL | 49 | | | | | | | |
| 82031 | 1 WASHER | | | | | | | | |
| GP-26 | 1 SNAP RING | | | | | | | | |
| MLL-10 | 1 SPRING | | | | | | | | |
| PT-9 | 1 PISTON | | | | | | | | |



REPAIR KITS COMPOSITION

| | | | | | | | | | |
|----------------|----------------|----------------|----------------|--------------------------|-------------------------|------------------|--------------------------|---------------------|-----|
| 10234-G | Ø20,6 | 10250 | Ø23 | 10262-G | Ø54 | | | | |
| 1418 | 2 SEAL | 40 | 1275 | 2 SQUARE SECTION SEAL501 | 1573 | 2 BOOT | 510 | | |
| 706 | 2 BOOT | 211 | 1567 | 2 CALIPER BOOT | 623 | 549 | 2 SQUARE SECTION SEAL500 | | |
| 795 | 1 BLEEDER CAP | 717 | P-234101 | 2 CALIPER PISTON | RW-2984 | 2 BOOT PROTECTOR | | | |
| 10235-G | Ø19 | RW-3003 | 2 STEEL CAP | 795 | 1 BLEEDER CAP | 717 | | | |
| 1419 | 2 SEAL | 40 | GRASA-2 | 1 GREASE FOR GUIDE PIN | 10263-G | Ø15,9 | | | |
| 728 | 2 BOOT | 214 | 10250-G | Ø23 | 1463 | 2 SEAL | 32 | | |
| 795 | 1 BLEEDER CAP | 717 | 1275 | 2 SQUARE SECTION SEAL501 | 895 | 2 BOOT | 217 | | |
| 10236-G | Ø19 | 1567 | 2 CALIPER BOOT | 623 | 795 | 1 BLEEDER CAP | 717 | | |
| 1414 | 2 SEAL | 11 | RW-3003 | 2 STEEL CAP | 10264-G | Ø19 | | | |
| C-796 | 2 BOOT | 204 | GRASA-2 | 1 GREASE FOR GUIDE PIN | 1464 | 2 SEAL | 24 | | |
| 795 | 1 BLEEDER CAP | 717 | 10253 | Ø15,9 | 895 | 2 BOOT | 217 | | |
| 10237-G | Ø20,6 | 1237 | 1 SEAL | 14 | 795 | 1 BLEEDER CAP | 717 | | |
| 1413 | 2 SEAL | 11 | 1332 | 1 SEAL | 5 | 10265-G | Ø15,9 | | |
| C-796 | 2 BOOT | 204 | 82012 | 1 WASHER | 1141 | 1 VALVE | 821 | | |
| 795 | 1 BLEEDER CAP | 717 | 821 | 1 BOOT | 254 | 1339 | 1 SEAL | 55 | |
| 10239-G | Ø22,2 | MLL-2 | 1 SPRING | 1340 | 1 SEAL | 19 | | | |
| 1416 | 2 SEAL | 12 | PT-1 | 1 PISTON | 1582 | 1 BOOT | 251 | | |
| 704 | 2 BOOT | 212 | 10254 | Ø19 | 2138 | 1 VALVE SEAT | 819 | | |
| 795 | 1 BLEEDER CAP | 717 | 1565 | 1 PIN BUSHING | 302 | 10266-G | Ø15,9 | | |
| 10240-G | Ø60 | 640 | 1 SEAL | 49 | 1141 | 1 VALVE | 821 | | |
| 1265 | 1 PISTON SEAL | 500 | 795 | 1 BLEEDER CAP | 717 | 1340 | 1 SEAL | 19 | |
| 1512 | 1 CALIPER BOOT | 400 | MLL-4 | 1 SPRING | 1395 | 1 SEAL | 2 | | |
| 2315 | 1 PIN BUSHING | 600 | PT-4 | 1 PISTON | 1582 | 1 BOOT | 251 | | |
| 2322 | 1 PIN BUSHING | 608 | 10256 | Ø24 | 2138 | 1 VALVE SEAT | 819 | | |
| 795 | 1 BLEEDER CAP | 717 | 1586 | 2 PIN BUSHING | 606 | 10267-G | Ø28,6 | | |
| 10241 | Ø19 | 2073 | 2 RUBBER CAP | 722 | 1204 | 1 SEAL | 32 | | |
| 1306 | 1 SEAL | 45 | 81021 | 2 WASHER | 1574 | 1 BOOT | 204 | | |
| 1410 | 1 SEAL | 24 | 82091 | 2 ELASTIC WASHER | 795 | 1 BLEEDER CAP | 717 | | |
| 1538 | 1 PIN BUSHING | 307 | PT-16 | 2 PISTON | 10276-G | Ø20,6 | | | |
| 795 | 1 BLEEDER CAP | 717 | TR-1 | 2 SCREW | 1418 | 2 SEAL | 40 | | |
| PT-3 | 1 PISTON | | GRASA-2 | 1 GREASE FOR GUIDE PIN | 780 | 2 BOOT | 230 | | |
| 10243 | Ø20,6 | 10259-G | Ø20,6 | 795 | 1 BLEEDER CAP | 717 | | | |
| 1538 | 1 PIN BUSHING | 307 | 1418 | 1 SEAL | 40 | 10278-G | Ø15,9 | | |
| 1671 | 1 SEAL | 39 | 633 | 1 SEAL | 42 | 601 | 2 SEAL | 9 | |
| 1716 | 1 SEAL | 34 | 795 | 1 BLEEDER CAP | 717 | 728 | 2 BOOT | 214 | |
| 795 | 1 BLEEDER CAP | 717 | 10260-G | Ø19 | 795 | 1 BLEEDER CAP | 717 | | |
| MLL-11 | 1 SPRING | | 1140 | 1 VALVE (LEVEL WARNING) | 17 | 10279-G | Ø22,2 | | |
| PT-12 | 1 PISTON | | 1394 | 1 SEAL | 19 | 608 | 2 SEAL | 9 | |
| 10245-G | Ø31,8 | 1582 | 1 BOOT | 251 | 711 | 2 BOOT | 214 | | |
| 1325 | 1 SEAL | 49 | 576 | 1 SEAL | 27 | 795 | 1 BLEEDER CAP | 717 | |
| 564-A | 1 SEAL | 1 | 82011 | 1 WASHER | | 10280-G | Ø48 | | |
| 10248-G | Ø37,7 | 10261-G | Ø19 | 1140 | 1 VALVE (LEVEL WARNING) | 17 | 1806 | 1 HARD CALIPER BOOT | 432 |
| 1432 | 4 SEAL | 43 | 1582 | 1 BOOT | 251 | 548 | 1 SQUARE SECTION SEAL500 | | |
| 1550 | 4 BOOT | 209 | 502-A | 1 SEAL | 14 | 795 | 1 BLEEDER CAP | 717 | |
| 795 | 2 BLEEDER CAP | 717 | 556-A | 1 SEAL | 5 | | | | |
| | | | 82031 | 1 WASHER | | | | | |



REPAIR KITS COMPOSITION



| | | | | | | | | |
|----------------|-----------------------|--------------|-----------------|------------------|------------------|------------------|-----------------|-----|
| 10281-G | Ø20,6 | 10514 | Ø34 | 10522 | Ø38 | | | |
| 1670 | 2 SEAL | 54 | 3384-G | 1 REPAIR KIT | 3540-G | 1 REPAIR KIT | | |
| 1671 | 2 SEAL | 39 | GRASA-1 | 1 GREASE BAG | GRASA-1 | 1 GREASE BAG | | |
| 1672 | 1 SEAL | 39 | P-334601 | 1 CALIPER PISTON | P-385101 | 1 CALIPER PISTON | | |
| 10295 | Ø19 | PR-17 | 1 BLEEDER SCREW | 915 | PR-17 | 1 BLEEDER SCREW | 915 | |
| 1410 | 1 SEAL | 24 | PR-2 | 1 BLEEDER SCREW | 915 | 10523 | Ø38 | |
| 1659 | 1 SEAL | 40 | PR-5 | 1 BLEEDER SCREW | 915 | 4770-G | 1 REPAIR KIT | |
| 1871 | 1 PIN BUSHING | 307 | 10515 | Ø34 | GRASA-1 | 1 GREASE BAG | | |
| 795 | 1 BLEEDER CAP | 717 | 3539-G | 1 REPAIR KIT | P-385101 | 1 CALIPER PISTON | | |
| MLL-9 | 1 SPRING | | GRASA-1 | 1 GREASE BAG | PR-17 | 1 BLEEDER SCREW | 915 | |
| PT-6 | 1 PISTON | | P-334601 | 1 CALIPER PISTON | PR-18 | 1 BLEEDER SCREW | 915 | |
| 10298 | Ø19 | PR-17 | 1 BLEEDER SCREW | 915 | PR-7 | 1 BLEEDER SCREW | 915 | |
| 1402 | 2 SEAL | 20 | PR-18 | 1 BLEEDER SCREW | 915 | 10524 | Ø41 | |
| 1516 | 1 PIN BUSHING | 321 | 10516 | Ø34 | P-413401 | 4 CALIPER PISTON | | |
| 1521 | 1 CONNECTION SEAL | 705 | 4695-G | 1 REPAIR KIT | PR-17 | 3 BLEEDER SCREW | 915 | |
| 795 | 1 BLEEDER CAP | 717 | GRASA-1 | 1 GREASE BAG | 3569-G | 1 REPAIR KIT | | |
| GP-19 | 1 SNAP RING | | P-334601 | 1 CALIPER PISTON | GRASA-1 | 1 GREASE BAG | | |
| GP-28 | 1 SNAP RING | | PR-17 | 1 BLEEDER SCREW | 915 | PR-19 | 1 BLEEDER SCREW | 915 |
| PT-25 | 1 PISTON WITH SPRING | | 10518 | Ø36 | 10525 | Ø42 | | |
| 10299 | Ø23,8 | 3257-G | 1 REPAIR KIT | P-425101 | 2 CALIPER PISTON | | | |
| 1407 | 2 SEAL | 28 | GRASA-1 | 1 GREASE BAG | 4656-G | 1 REPAIR KIT | | |
| 1521 | 1 CONNECTION SEAL | 705 | P-364801 | 1 CALIPER PISTON | GRASA-1 | 1 GREASE BAG | | |
| 1568 | 1 PIN BUSHING | 305 | PR-5 | 1 BLEEDER SCREW | 915 | PR-17 | 1 BLEEDER SCREW | 915 |
| 2479 | 1 VALVE | 823 | 10519 | Ø36 | 10526 | Ø42 | | |
| 795 | 1 BLEEDER CAP | 717 | 3541-G | 1 REPAIR KIT | P-425101 | 2 CALIPER PISTON | | |
| C-413 | 1 VALVE SEAT | 820 | GP-1015 | 1 SNAP RING | 4268-G | 1 REPAIR KIT | | |
| GP-24 | 1 SNAP RING | | GRASA-1 | 1 GREASE BAG | GRASA-1 | 1 GREASE BAG | | |
| MLL-1 | 1 SPRING | | P-364802 | 1 CALIPER PISTON | PR-17 | 1 BLEEDER SCREW | 915 | |
| PT-26 | 1 PISTON | | PR-17 | 1 BLEEDER SCREW | 915 | 10527 | Ø43 | |
| 10300 | Ø25,4 | 10520 | Ø38 | 3439-G | 1 REPAIR KIT | | | |
| 2329 | 1 PIN BUSHING | 308 | 4442-G | 1 REPAIR KIT | GRASA-1 | 1 GREASE BAG | | |
| 2425 | 1 BLEEDER CAP | 737 | GRASA-1 | 1 GREASE BAG | P-424601 | 1 CALIPER PISTON | | |
| 2568-R | 1 SEAL | 28 | P-385101 | 1 CALIPER PISTON | PR-17 | 1 BLEEDER SCREW | 915 | |
| GP-1001 | 1 SNAP RING | | PR-17 | 1 BLEEDER SCREW | 915 | 10528 | Ø43 | |
| MLL-21 | 1 SPRING | | PR-18 | 1 BLEEDER SCREW | 915 | 4459-G | 1 REPAIR KIT | |
| PT-18 | 1 CLUTCH SLAVE PISTON | | PR-22 | 1 BLEEDER SCREW | 915 | GRASA-1 | 1 GREASE BAG | |
| 10301 | Ø25,4 | PR-3 | 1 BLEEDER SCREW | 915 | P-424601 | 1 CALIPER PISTON | | |
| 2332 | 1 PIN BUSHING | 307 | PR-5 | 1 BLEEDER SCREW | 915 | PR-18 | 1 BLEEDER SCREW | 915 |
| 2425 | 1 BLEEDER CAP | 737 | 10521 | Ø38 | 10529 | Ø45 | | |
| 2568-R | 1 SEAL | 28 | 3247-G | 1 REPAIR KIT | 3134-G | 1 REPAIR KIT | | |
| GP-1001 | 1 SNAP RING | | GRASA-1 | 1 GREASE BAG | GRASA-1 | 1 GREASE BAG | | |
| MLL-21 | 1 SPRING | | P-385101 | 1 CALIPER PISTON | P-454501 | 1 CALIPER PISTON | | |
| PT-19 | 1 CLUTCH SLAVE PISTON | | PR-17 | 1 BLEEDER SCREW | 915 | PR-2 | 1 BLEEDER SCREW | 915 |
| 10513 | Ø33 | PR-19 | 1 BLEEDER SCREW | 915 | PR-3 | 1 BLEEDER SCREW | 915 | |
| 4756-G | 1 REPAIR KIT | | PR-5 | 1 BLEEDER SCREW | 915 | | | |
| GRASA-1 | 1 GREASE BAG | | | | | | | |
| P-335001 | 1 CALIPER PISTON | | | | | | | |
| PR-17 | 1 BLEEDER SCREW | 915 | | | | | | |



REPAIR KITS COMPOSITION



| | | | | | |
|--------------|-------------------------|--------------|---------------------|--------------|---------------------|
| 10530 | Ø48 | 10538 | Ø48 | 10547 | Ø48 |
| 10250 | 1 REPAIR KIT WITH PISTO | 3125-G | 1 REPAIR KIT | 3267-G | 1 REPAIR KIT |
| 3097-G | 1 REPAIR KIT | GRASA-1 | 1 GREASE BAG | GRASA-1 | 1 GREASE BAG |
| GRASA-1 | 1 GREASE BAG | P-485302 | 1 CALIPER PISTON | P-484802 | 1 CALIPER PISTON |
| P-484301 | 1 CALIPER PISTON | PR-18 | 1 BLEEDER SCREW 915 | PR-5 | 1 BLEEDER SCREW 915 |
| PR-18 | 1 BLEEDER SCREW 915 | 10539 | Ø48 | 10548 | Ø48 |
| 10531 | Ø48 | 3490-G | 1 REPAIR KIT | 3130-G | 1 REPAIR KIT |
| P-484401 | 2 CALIPER PISTON | GRASA-1 | 1 GREASE BAG | GRASA-1 | 1 GREASE BAG |
| 3356-G | 1 REPAIR KIT | P-485302 | 1 CALIPER PISTON | P-484802 | 1 CALIPER PISTON |
| GRASA-1 | 1 GREASE BAG | PR-17 | 1 BLEEDER SCREW 915 | PR-5 | 1 BLEEDER SCREW 915 |
| PR-7 | 1 BLEEDER SCREW 915 | 10540 | Ø48 | 10549 | Ø48 |
| 10532 | Ø48 | 3359-G | 1 REPAIR KIT | 4288-G | 1 REPAIR KIT |
| 4574-G | 1 REPAIR KIT | GRASA-1 | 1 GREASE BAG | GRASA-1 | 1 GREASE BAG |
| GRASA-1 | 1 GREASE BAG | P-485302 | 1 CALIPER PISTON | P-485002 | 1 CALIPER PISTON |
| P-484401 | 1 CALIPER PISTON | PR-3 | 1 BLEEDER SCREW 915 | PR-3 | 1 BLEEDER SCREW 915 |
| PR-7 | 1 BLEEDER SCREW 915 | PR-5 | 1 BLEEDER SCREW 915 | 10550 | Ø48 |
| 10533 | Ø48 | 10541 | Ø48 | P-485001 | 2 CALIPER PISTON |
| 3130-G | 1 REPAIR KIT | 3097-G | 1 REPAIR KIT | 4718-G | 1 REPAIR KIT |
| GRASA-1 | 1 GREASE BAG | GRASA-1 | 1 GREASE BAG | GRASA-1 | 1 GREASE BAG |
| P-484801 | 1 CALIPER PISTON | P-484301 | 1 CALIPER PISTON | PR-17 | 1 BLEEDER SCREW 915 |
| PR-18 | 1 BLEEDER SCREW 915 | PR-7 | 1 BLEEDER SCREW 915 | 10551 | Ø48 |
| PR-7 | 1 BLEEDER SCREW 915 | 10542 | Ø48 | P-485002 | 2 CALIPER PISTON |
| 10534 | Ø48 | 4293-G | 1 REPAIR KIT | PR-18 | 2 BLEEDER SCREW 915 |
| 3221-G | 1 REPAIR KIT | GRASA-1 | 1 GREASE BAG | 3129-G | 1 REPAIR KIT |
| GRASA-1 | 1 GREASE BAG | P-484602 | 1 CALIPER PISTON | GRASA-1 | 1 GREASE BAG |
| P-484902 | 1 CALIPER PISTON | PR-18 | 1 BLEEDER SCREW 915 | 10552 | Ø48 |
| PR-14 | 1 BLEEDER SCREW 915 | PR-5 | 1 BLEEDER SCREW 915 | 4667-G | 1 REPAIR KIT |
| PR-6 | 1 BLEEDER SCREW 915 | 10543 | Ø48 | GRASA-1 | 1 GREASE BAG |
| 10535 | Ø48 | 4288-G | 1 REPAIR KIT | P-485002 | 1 CALIPER PISTON |
| 3130-G | 1 REPAIR KIT | GRASA-1 | 1 GREASE BAG | PR-2 | 1 BLEEDER SCREW 915 |
| GRASA-1 | 1 GREASE BAG | P-484701 | 1 CALIPER PISTON | 10554 | Ø48 |
| P-485101 | 1 CALIPER PISTON | PR-22 | 1 BLEEDER SCREW 915 | 3076-G | 1 REPAIR KIT |
| PR-18 | 1 BLEEDER SCREW 915 | 10544 | Ø48 | GRASA-1 | 1 GREASE BAG |
| PR-5 | 1 BLEEDER SCREW 915 | 4645-G | 1 REPAIR KIT | P-485002 | 1 CALIPER PISTON |
| 10536 | Ø48 | GRASA-1 | 1 GREASE BAG | PR-2 | 1 BLEEDER SCREW 915 |
| 3267-G | 1 REPAIR KIT | P-484701 | 1 CALIPER PISTON | 10555 | Ø48 |
| GRASA-1 | 1 GREASE BAG | PR-2 | 1 BLEEDER SCREW 915 | 3377-G | 1 REPAIR KIT |
| P-485102 | 1 CALIPER PISTON | 10545 | Ø48 | GRASA-1 | 1 GREASE BAG |
| PR-22 | 1 BLEEDER SCREW 915 | 4293-G | 1 REPAIR KIT | P-485002 | 1 CALIPER PISTON |
| PR-7 | 1 BLEEDER SCREW 915 | GRASA-1 | 1 GREASE BAG | PR-22 | 1 BLEEDER SCREW 915 |
| 10537 | Ø48 | P-485401 | 1 CALIPER PISTON | 10556 | Ø48 |
| 3267-G | 1 REPAIR KIT | PR-18 | 1 BLEEDER SCREW 915 | 3130-G | 1 REPAIR KIT |
| GRASA-1 | 1 GREASE BAG | 10546 | Ø48 | GRASA-1 | 1 GREASE BAG |
| P-485302 | 1 CALIPER PISTON | 4293-G | 1 REPAIR KIT | P-485201 | 1 CALIPER PISTON |
| PR-22 | 1 BLEEDER SCREW 915 | GRASA-1 | 1 GREASE BAG | PR-7 | 1 BLEEDER SCREW 915 |
| PR-5 | 1 BLEEDER SCREW 915 | P-484601 | 1 CALIPER PISTON | | |
| | | PR-18 | 1 BLEEDER SCREW 915 | | |



REPAIR KITS COMPOSITION



| | | | | | |
|--------------|-------------------------|--------------|---------------------|--------------|---------------------|
| 10557 | Ø48 | 10565 | Ø54 | 10572 | Ø54 |
| 3589-G | 1 REPAIR KIT | 4484-G | 1 REPAIR KIT | 4745-G | 1 REPAIR KIT |
| GRASA-1 | 1 GREASE BAG | GRASA-1 | 1 GREASE BAG | GRASA-1 | 1 GREASE BAG |
| P-484901 | 1 CALIPER PISTON | P-544901 | 1 CALIPER PISTON | P-545301 | 1 CALIPER PISTON |
| PR-17 | 1 BLEEDER SCREW 915 | PR-22 | 1 BLEEDER SCREW 915 | PR-18 | 1 BLEEDER SCREW 915 |
| 10558 | Ø48 | PR-27 | 1 BLEEDER SCREW | PR-3 | 1 BLEEDER SCREW 915 |
| 4717-G | 1 REPAIR KIT | 10566 | Ø54 | PR-5 | 1 BLEEDER SCREW 915 |
| GRASA-1 | 1 GREASE BAG | 3073-G | 1 REPAIR KIT | 10573 | Ø54 |
| P-485302 | 1 CALIPER PISTON | GRASA-1 | 1 GREASE BAG | 3073-G | 1 REPAIR KIT |
| PR-5 | 1 BLEEDER SCREW 915 | P-545101 | 1 CALIPER PISTON | GRASA-1 | 1 GREASE BAG |
| 10559 | Ø52 | PR-18 | 1 BLEEDER SCREW 915 | P-545501 | 1 CALIPER PISTON |
| 3332-G | 1 REPAIR KIT | PR-5 | 1 BLEEDER SCREW 915 | PR-22 | 1 BLEEDER SCREW 915 |
| GRASA-1 | 1 GREASE BAG | PR-7 | 1 BLEEDER SCREW 915 | 10574 | Ø54 |
| P-524801 | 1 CALIPER PISTON | 10567 | Ø54 | 4318-G | 1 REPAIR KIT |
| PR-7 | 1 BLEEDER SCREW 915 | 3220-G | 1 REPAIR KIT | GRASA-1 | 1 GREASE BAG |
| 10560 | Ø52 | GRASA-1 | 1 GREASE BAG | P-545501 | 1 CALIPER PISTON |
| 10250 | 1 REPAIR KIT WITH PISTO | P-545103 | 1 CALIPER PISTON | PR-7 | 1 BLEEDER SCREW 915 |
| 3115-G | 1 REPAIR KIT | PR-22 | 1 BLEEDER SCREW 915 | 10575 | Ø54 |
| GRASA-1 | 1 GREASE BAG | 10568 | Ø54 | 4484-G | 1 REPAIR KIT |
| P-524301 | 1 CALIPER PISTON | 4632-G | 1 REPAIR KIT | GRASA-1 | 1 GREASE BAG |
| 10561 | Ø52 | GRASA-1 | 1 GREASE BAG | P-545301 | 1 CALIPER PISTON |
| 4546-G | 1 REPAIR KIT | P-545201 | 1 CALIPER PISTON | PR-18 | 1 BLEEDER SCREW 915 |
| GRASA-1 | 1 GREASE BAG | PR-17 | 1 BLEEDER SCREW 915 | 10576 | Ø54 |
| P-525301 | 1 CALIPER PISTON | PR-2 | 1 BLEEDER SCREW 915 | 4552-G | 1 REPAIR KIT |
| PR-17 | 1 BLEEDER SCREW 915 | PR-22 | 1 BLEEDER SCREW 915 | GRASA-1 | 1 GREASE BAG |
| 10562 | Ø54 | PR-3 | 1 BLEEDER SCREW 915 | P-545301 | 1 CALIPER PISTON |
| 3517-G | 1 REPAIR KIT | PR-5 | 1 BLEEDER SCREW 915 | PR-17 | 1 BLEEDER SCREW 915 |
| GRASA-1 | 1 GREASE BAG | 10569 | Ø54 | 10577 | Ø54 |
| P-544301 | 1 CALIPER PISTON | 3300-G | 1 REPAIR KIT | 4655-G | 1 REPAIR KIT |
| PR-7 | 1 BLEEDER SCREW 915 | GRASA-1 | 1 GREASE BAG | GRASA-1 | 1 GREASE BAG |
| 10563 | Ø54 | P-545301 | 1 CALIPER PISTON | P-545102 | 1 CALIPER PISTON |
| 3220-G | 1 REPAIR KIT | PR-5 | 1 BLEEDER SCREW 915 | PR-17 | 1 BLEEDER SCREW 915 |
| GRASA-1 | 1 GREASE BAG | 10570 | Ø54 | 10578 | Ø54 |
| P-544901 | 1 CALIPER PISTON | 3220-G | 1 REPAIR KIT | 3639-G | 1 REPAIR KIT |
| PR-17 | 1 BLEEDER SCREW 915 | GRASA-1 | 1 GREASE BAG | GRASA-1 | 1 GREASE BAG |
| PR-22 | 1 BLEEDER SCREW 915 | P-545301 | 1 CALIPER PISTON | P-545001 | 1 CALIPER PISTON |
| PR-7 | 1 BLEEDER SCREW 915 | PR-17 | 1 BLEEDER SCREW 915 | PR-2 | 1 BLEEDER SCREW 915 |
| RW-3015 | 1 HEAT SHIELD | PR-18 | 1 BLEEDER SCREW 915 | 10579 | Ø57 |
| 10564 | Ø54 | PR-22 | 1 BLEEDER SCREW 915 | 3391-G | 1 REPAIR KIT |
| 4481-G | 1 REPAIR KIT | PR-5 | 1 BLEEDER SCREW 915 | GRASA-1 | 1 GREASE BAG |
| GRASA-1 | 1 GREASE BAG | PR-7 | 1 BLEEDER SCREW 915 | P-575301 | 1 CALIPER PISTON |
| P-544901 | 1 CALIPER PISTON | RW-3015 | 1 HEAT SHIELD | PR-18 | 1 BLEEDER SCREW 915 |
| PR-17 | 1 BLEEDER SCREW 915 | 10571 | Ø54 | PR-7 | 1 BLEEDER SCREW 915 |
| PR-22 | 1 BLEEDER SCREW 915 | 3649-G | 1 REPAIR KIT | | |
| PR-7 | 1 BLEEDER SCREW 915 | GRASA-1 | 1 GREASE BAG | | |
| | | P-545301 | 1 CALIPER PISTON | | |
| | | PR-17 | 1 BLEEDER SCREW 915 | | |
| | | PR-22 | 1 BLEEDER SCREW 915 | | |
| | | PR-5 | 1 BLEEDER SCREW 915 | | |



REPAIR KITS COMPOSITION



| | | | | | |
|--------------|---------------------|--------------|---------------------|--------------|---------------------|
| 10580 | Ø57 | 10588 | Ø57 | 10596 | Ø60 |
| 3481-G | 1 REPAIR KIT | 4768-G | 1 REPAIR KIT | 3133-G | 1 REPAIR KIT |
| GRASA-1 | 1 GREASE BAG | GRASA-1 | 1 GREASE BAG | GRASA-1 | 1 GREASE BAG |
| P-575401 | 1 CALIPER PISTON | P-575301 | 1 CALIPER PISTON | P-605302 | 1 CALIPER PISTON |
| PR-15 | 1 BLEEDER SCREW 915 | PR-7 | 1 BLEEDER SCREW 915 | PR-18 | 1 BLEEDER SCREW 915 |
| PR-17 | 1 BLEEDER SCREW 915 | 10589 | Ø57 | PR-5 | 1 BLEEDER SCREW 915 |
| PR-22 | 1 BLEEDER SCREW 915 | 4768-G | 1 REPAIR KIT | PR-7 | 1 BLEEDER SCREW 915 |
| RW-3051 | 1 HEATSHIELD | GRASA-1 | 1 GREASE BAG | 10597 | Ø68 |
| 10581 | Ø57 | P-575504 | 1 CALIPER PISTON | 3153-G | 1 REPAIR KIT |
| 3556-G | 1 REPAIR KIT | PR-17 | 1 BLEEDER SCREW 915 | GRASA-1 | 1 GREASE BAG |
| GRASA-1 | 1 GREASE BAG | PR-18 | 1 BLEEDER SCREW 915 | P-684901 | 1 CALIPER PISTON |
| P-575401 | 1 CALIPER PISTON | PR-5 | 1 BLEEDER SCREW 915 | PR-18 | 1 BLEEDER SCREW 915 |
| PR-17 | 1 BLEEDER SCREW 915 | PR-7 | 1 BLEEDER SCREW 915 | 10598 | Ø48 |
| 10582 | Ø57 | 10590 | Ø57 | 4775-G | 1 REPAIR KIT |
| 3391-G | 1 REPAIR KIT | 4767-G | 1 REPAIR KIT | GRASA-1 | 1 GREASE BAG |
| GRASA-1 | 1 GREASE BAG | GRASA-1 | 1 GREASE BAG | P-485002 | 1 CALIPER PISTON |
| P-575501 | 1 CALIPER PISTON | P-575504 | 1 CALIPER PISTON | PR-5 | 1 BLEEDER SCREW 915 |
| PR-17 | 1 BLEEDER SCREW 915 | PR-17 | 1 BLEEDER SCREW 915 | 10599 | Ø30 |
| PR-5 | 1 BLEEDER SCREW 915 | 10591 | Ø60 | 4428-G | 1 REPAIR KIT |
| PR-7 | 1 BLEEDER SCREW 915 | 3133-G | 1 REPAIR KIT | GRASA-1 | 1 GREASE BAG |
| 10583 | Ø57 | GRASA-1 | 1 GREASE BAG | P-304301 | 1 CALIPER PISTON |
| 3586-G | 1 REPAIR KIT | P-604801 | 1 CALIPER PISTON | PR-13 | 1 BLEEDER SCREW 915 |
| GRASA-1 | 1 GREASE BAG | PR-7 | 1 BLEEDER SCREW 915 | PR-17 | 1 BLEEDER SCREW 915 |
| P-575101 | 1 CALIPER PISTON | 10592 | Ø60 | PR-8 | 1 BLEEDER SCREW 915 |
| PR-22 | 1 BLEEDER SCREW 915 | 3135-G | 1 REPAIR KIT | 10600 | Ø30 |
| 10584 | Ø57 | GRASA-1 | 1 GREASE BAG | 3825-G | 1 REPAIR KIT |
| 4644-G | 1 REPAIR KIT | P-605301 | 1 CALIPER PISTON | GRASA-1 | 1 GREASE BAG |
| GRASA-1 | 1 GREASE BAG | PR-5 | 1 BLEEDER SCREW 915 | P-304501 | 1 CALIPER PISTON |
| P-575101 | 1 CALIPER PISTON | 10593 | Ø60 | PR-5 | 1 BLEEDER SCREW 915 |
| PR-2 | 1 BLEEDER SCREW 915 | 4309-G | 1 REPAIR KIT | 10601 | Ø33 |
| 10585 | Ø57 | GRASA-1 | 1 GREASE BAG | 3422-G | 1 REPAIR KIT |
| 3839-G | 1 REPAIR KIT | P-605601 | 1 CALIPER PISTON | GRASA-1 | 1 GREASE BAG |
| GRASA-1 | 1 GREASE BAG | PR-17 | 1 BLEEDER SCREW 915 | P-334401 | 1 CALIPER PISTON |
| P-575001 | 1 CALIPER PISTON | 10594 | Ø60 | PR-5 | 1 BLEEDER SCREW 915 |
| PR-17 | 1 BLEEDER SCREW 915 | 3133-G | 1 REPAIR KIT | PR-7 | 1 BLEEDER SCREW 915 |
| PR-27 | 1 BLEEDER SCREW | GRASA-1 | 1 GREASE BAG | 10602 | Ø36 |
| 10586 | Ø57 | P-605801 | 1 CALIPER PISTON | 4367-G | 1 REPAIR KIT |
| 4754-G | 1 REPAIR KIT | PR-17 | 1 BLEEDER SCREW 915 | GRASA-1 | 1 GREASE BAG |
| GRASA-1 | 1 GREASE BAG | 10595 | Ø60 | P-365101 | 1 CALIPER PISTON |
| P-575001 | 1 CALIPER PISTON | 4743-G | 1 REPAIR KIT | PR-17 | 1 BLEEDER SCREW 915 |
| PR-17 | 1 BLEEDER SCREW 915 | GRASA-1 | 1 GREASE BAG | 10603 | Ø38 |
| 10587 | Ø57 | P-605601 | 1 CALIPER PISTON | P-382901 | 2 CALIPER PISTON |
| 4732-G | 1 REPAIR KIT | PR-17 | 1 BLEEDER SCREW 915 | 3451-G | 1 REPAIR KIT |
| GRASA-1 | 1 GREASE BAG | 10596 | Ø60 | GRASA-1 | 1 GREASE BAG |
| P-575001 | 1 CALIPER PISTON | 4743-G | 1 REPAIR KIT | PR-5 | 1 BLEEDER SCREW 915 |
| PR-17 | 1 BLEEDER SCREW 915 | GRASA-1 | 1 GREASE BAG | RW-3012 | 1 HEAT SHIELD |
| 10588 | Ø57 | P-605601 | 1 CALIPER PISTON | RW-3013 | 1 HEAT SHIELD |
| 4768-G | 1 REPAIR KIT | PR-17 | 1 BLEEDER SCREW 915 | | |
| GRASA-1 | 1 GREASE BAG | | | | |
| P-575401 | 1 CALIPER PISTON | | | | |
| PR-15 | 1 BLEEDER SCREW 915 | | | | |
| PR-17 | 1 BLEEDER SCREW 915 | | | | |
| PR-22 | 1 BLEEDER SCREW 915 | | | | |
| RW-3051 | 1 HEATSHIELD | | | | |
| 10589 | Ø57 | | | | |
| 4768-G | 1 REPAIR KIT | | | | |
| GRASA-1 | 1 GREASE BAG | | | | |
| P-575504 | 1 CALIPER PISTON | | | | |
| PR-17 | 1 BLEEDER SCREW 915 | | | | |
| PR-18 | 1 BLEEDER SCREW 915 | | | | |
| PR-5 | 1 BLEEDER SCREW 915 | | | | |
| PR-7 | 1 BLEEDER SCREW 915 | | | | |
| 10590 | Ø57 | | | | |
| 4767-G | 1 REPAIR KIT | | | | |
| GRASA-1 | 1 GREASE BAG | | | | |
| P-575504 | 1 CALIPER PISTON | | | | |
| PR-17 | 1 BLEEDER SCREW 915 | | | | |
| 10591 | Ø60 | | | | |
| 3133-G | 1 REPAIR KIT | | | | |
| GRASA-1 | 1 GREASE BAG | | | | |
| P-604801 | 1 CALIPER PISTON | | | | |
| PR-7 | 1 BLEEDER SCREW 915 | | | | |
| 10592 | Ø60 | | | | |
| 3135-G | 1 REPAIR KIT | | | | |
| GRASA-1 | 1 GREASE BAG | | | | |
| P-605301 | 1 CALIPER PISTON | | | | |
| PR-5 | 1 BLEEDER SCREW 915 | | | | |
| 10593 | Ø60 | | | | |
| 4309-G | 1 REPAIR KIT | | | | |
| GRASA-1 | 1 GREASE BAG | | | | |
| P-605601 | 1 CALIPER PISTON | | | | |
| PR-17 | 1 BLEEDER SCREW 915 | | | | |
| 10594 | Ø60 | | | | |
| 3133-G | 1 REPAIR KIT | | | | |
| GRASA-1 | 1 GREASE BAG | | | | |
| P-605801 | 1 CALIPER PISTON | | | | |
| PR-17 | 1 BLEEDER SCREW 915 | | | | |
| 10595 | Ø60 | | | | |
| 4743-G | 1 REPAIR KIT | | | | |
| GRASA-1 | 1 GREASE BAG | | | | |
| P-605601 | 1 CALIPER PISTON | | | | |
| PR-17 | 1 BLEEDER SCREW 915 | | | | |
| 10596 | Ø60 | | | | |
| 3133-G | 1 REPAIR KIT | | | | |
| GRASA-1 | 1 GREASE BAG | | | | |
| P-605302 | 1 CALIPER PISTON | | | | |
| PR-18 | 1 BLEEDER SCREW 915 | | | | |
| PR-5 | 1 BLEEDER SCREW 915 | | | | |
| PR-7 | 1 BLEEDER SCREW 915 | | | | |
| 10597 | Ø68 | | | | |
| 3153-G | 1 REPAIR KIT | | | | |
| GRASA-1 | 1 GREASE BAG | | | | |
| P-684901 | 1 CALIPER PISTON | | | | |
| PR-18 | 1 BLEEDER SCREW 915 | | | | |
| 10598 | Ø48 | | | | |
| 4775-G | 1 REPAIR KIT | | | | |
| GRASA-1 | 1 GREASE BAG | | | | |
| P-485002 | 1 CALIPER PISTON | | | | |
| PR-5 | 1 BLEEDER SCREW 915 | | | | |
| 10599 | Ø30 | | | | |
| 4428-G | 1 REPAIR KIT | | | | |
| GRASA-1 | 1 GREASE BAG | | | | |
| P-304301 | 1 CALIPER PISTON | | | | |
| PR-13 | 1 BLEEDER SCREW 915 | | | | |
| PR-17 | 1 BLEEDER SCREW 915 | | | | |
| PR-8 | 1 BLEEDER SCREW 915 | | | | |
| 10600 | Ø30 | | | | |
| 3825-G | 1 REPAIR KIT | | | | |
| GRASA-1 | 1 GREASE BAG | | | | |
| P-304501 | 1 CALIPER PISTON | | | | |
| PR-5 | 1 BLEEDER SCREW 915 | | | | |
| 10601 | Ø33 | | | | |
| 3422-G | 1 REPAIR KIT | | | | |
| GRASA-1 | 1 GREASE BAG | | | | |
| P-334401 | 1 CALIPER PISTON | | | | |
| PR-5 | 1 BLEEDER SCREW 915 | | | | |
| PR-7 | 1 BLEEDER SCREW 915 | | | | |
| 10602 | Ø36 | | | | |
| 4367-G | 1 REPAIR KIT | | | | |
| GRASA-1 | 1 GREASE BAG | | | | |
| P-365101 | 1 CALIPER PISTON | | | | |
| PR-17 | 1 BLEEDER SCREW 915 | | | | |
| 10603 | Ø38 | | | | |
| P-382901 | 2 CALIPER PISTON | | | | |
| 3451-G | 1 REPAIR KIT | | | | |
| GRASA-1 | 1 GREASE BAG | | | | |
| PR-5 | 1 BLEEDER SCREW 915 | | | | |
| RW-3012 | 1 HEAT SHIELD | | | | |
| RW-3013 | 1 HEAT SHIELD | | | | |



REPAIR KITS COMPOSITION



| | | | | | |
|--------------|---------------------|--------------|---------------------|--------------|---------------------|
| 10604 | Ø38 | 10612 | Ø42 | 10620 | Ø51 |
| P-383004 | 2 CALIPER PISTON | P-422801 | 4 CALIPER PISTON | 4287-G | 1 REPAIR KIT |
| 4316-G | 1 REPAIR KIT | 3838-G | 1 REPAIR KIT | GRASA-1 | 1 GREASE BAG |
| GRASA-1 | 1 GREASE BAG | GRASA-1 | 1 GREASE BAG | P-514401 | 1 CALIPER PISTON |
| PR-7 | 1 BLEEDER SCREW 915 | PR-19 | 1 BLEEDER SCREW 915 | PR-17 | 1 BLEEDER SCREW 915 |
| 10605 | Ø38 | 10613 | Ø44 | 10621 | Ø51 |
| 3683-G | 1 REPAIR KIT | P-446301 | 2 CALIPER PISTON | 4470-G | 1 REPAIR KIT |
| GRASA-1 | 1 GREASE BAG | 4710-G | 1 REPAIR KIT | GRASA-1 | 1 GREASE BAG |
| P-384601 | 1 CALIPER PISTON | GRASA-1 | 1 GREASE BAG | P-514401 | 1 CALIPER PISTON |
| PR-17 | 1 BLEEDER SCREW 915 | PR-17 | 1 BLEEDER SCREW 915 | PR-13 | 1 BLEEDER SCREW 915 |
| PR-18 | 1 BLEEDER SCREW 915 | | | | |
| 10606 | Ø38 | 10614 | Ø45 | 10622 | Ø51 |
| 3540-G | 1 REPAIR KIT | PR-22 | 2 BLEEDER SCREW 915 | 4479-G | 1 REPAIR KIT |
| GRASA-1 | 1 GREASE BAG | 3656-G | 1 REPAIR KIT | GRASA-1 | 1 GREASE BAG |
| P-384601 | 1 CALIPER PISTON | GRASA-1 | 1 GREASE BAG | P-514401 | 1 CALIPER PISTON |
| PR-17 | 1 BLEEDER SCREW 915 | P-455301 | 1 CALIPER PISTON | PR-13 | 1 BLEEDER SCREW 915 |
| | | P-485302 | 1 CALIPER PISTON | PR-8 | 1 BLEEDER SCREW 915 |
| 10607 | Ø40 | PR-3 | 1 BLEEDER SCREW 915 | 10623 | Ø51 |
| PR-22 | 2 BLEEDER SCREW 915 | 10615 | Ø48 | 3538-G | 1 REPAIR KIT |
| 3657-G | 1 REPAIR KIT | P-475901 | 2 CALIPER PISTON | GRASA-1 | 1 GREASE BAG |
| GRASA-1 | 1 GREASE BAG | 2643-G | 1 REPAIR KIT | P-514401 | 1 CALIPER PISTON |
| P-405301 | 1 CALIPER PISTON | GRASA-1 | 1 GREASE BAG | PR-17 | 1 BLEEDER SCREW 915 |
| P-485302 | 1 CALIPER PISTON | PR-14 | 1 BLEEDER SCREW 915 | PR-18 | 1 BLEEDER SCREW 915 |
| | | PR-16 | 1 BLEEDER SCREW 915 | 10624 | Ø51 |
| 10608 | Ø40 | PR-19 | 1 BLEEDER SCREW 915 | 3337-G | 1 REPAIR KIT |
| 4755-G | 1 REPAIR KIT | PR-28 | 1 BLEEDER SCREW 915 | GRASA-1 | 1 GREASE BAG |
| GRASA-1 | 1 GREASE BAG | PR-5 | 1 BLEEDER SCREW 915 | P-514401 | 1 CALIPER PISTON |
| P-405301 | 1 CALIPER PISTON | 10616 | Ø48 | PR-18 | 1 BLEEDER SCREW 915 |
| P-455301 | 1 CALIPER PISTON | P-475901 | 4 CALIPER PISTON | 10625 | Ø54 |
| PR-17 | 1 BLEEDER SCREW 915 | PR-17 | 3 BLEEDER SCREW 915 | 3220-G | 1 REPAIR KIT |
| PR-5 | 1 BLEEDER SCREW 915 | 4418-G | 1 REPAIR KIT | GRASA-1 | 1 GREASE BAG |
| | | GRASA-1 | 1 GREASE BAG | P-544601 | 1 CALIPER PISTON |
| 10609 | Ø40 | 10617 | Ø48 | PR-7 | 1 BLEEDER SCREW 915 |
| 3645-G | 1 REPAIR KIT | 3836-G | 1 REPAIR KIT | 10626 | Ø54 |
| GRASA-1 | 1 GREASE BAG | GRASA-1 | 1 GREASE BAG | 4746-G | 1 REPAIR KIT |
| P-405301 | 1 CALIPER PISTON | P-475901 | 1 CALIPER PISTON | GRASA-1 | 1 GREASE BAG |
| P-455301 | 1 CALIPER PISTON | P-482902 | 1 CALIPER PISTON | P-544904 | 1 CALIPER PISTON |
| PR-17 | 1 BLEEDER SCREW 915 | PR-18 | 1 BLEEDER SCREW 915 | PR-18 | 1 BLEEDER SCREW 915 |
| | | PR-5 | 1 BLEEDER SCREW 915 | 10627 | Ø54 |
| 10610 | Ø41 | 10618 | Ø48 | 3537-G | 1 REPAIR KIT |
| 4289-G | 1 REPAIR KIT | 4293-G | 1 REPAIR KIT | GRASA-1 | 1 GREASE BAG |
| GRASA-1 | 1 GREASE BAG | GRASA-1 | 1 GREASE BAG | P-544904 | 1 CALIPER PISTON |
| P-415101 | 1 CALIPER PISTON | P-485501 | 1 CALIPER PISTON | PR-17 | 1 BLEEDER SCREW 915 |
| PR-17 | 1 BLEEDER SCREW 915 | PR-17 | 1 BLEEDER SCREW 915 | 10628 | Ø54 |
| PR-5 | 1 BLEEDER SCREW 915 | PR-18 | 1 BLEEDER SCREW 915 | 3565-G | 1 REPAIR KIT |
| | | PR-5 | 1 BLEEDER SCREW 915 | GRASA-1 | 1 GREASE BAG |
| 10611 | Ø42,8 | | | P-544904 | 1 CALIPER PISTON |
| P-424801 | 2 CALIPER PISTON | | | PR-18 | 1 BLEEDER SCREW 915 |
| 3604-G | 1 REPAIR KIT | | | | |
| GRASA-1 | 1 GREASE BAG | | | | |
| PR-17 | 1 BLEEDER SCREW 915 | | | | |



REPAIR KITS COMPOSITION



| | | | | | |
|---------------------------|------------|---------------------------------|------------|---------------------------|------------|
| 10629 | Ø54 | 10638 | Ø38 | 10646 | Ø35 |
| 3073-G 1 REPAIR KIT | | 4445-G 1 REPAIR KIT | | P-352601 2 CALIPER PISTON | |
| GRASA-1 1 GREASE BAG | | GRASA-1 1 GREASE BAG | | 3449-G 1 REPAIR KIT | |
| P-544801 1 CALIPER PISTON | | P-384701 1 CALIPER PISTON | | GRASA-1 1 GREASE BAG | |
| PR-5 1 BLEEDER SCREW 915 | | PR-13 1 BLEEDER SCREW 915 | | PR-7 1 BLEEDER SCREW 915 | |
| 10630 | Ø35 | 10639 | Ø30 | 10647 | Ø36 |
| P-352801 2 CALIPER PISTON | | 3317-G 1 REPAIR KIT | | 4519-G 1 REPAIR KIT | |
| 3449-G 1 REPAIR KIT | | GRASA-1 1 GREASE BAG | | GP-1013 1 SNAP RING | |
| GRASA-1 1 GREASE BAG | | GRASA-1 1 GREASE BAG | | GRASA-1 1 GREASE BAG | |
| PR-7 1 BLEEDER SCREW 915 | | P-303801 1 CALIPER PISTON | | P-364701 1 CALIPER PISTON | |
| 10631 | Ø38 | PR-5 1 BLEEDER SCREW 915 | | PR-22 1 BLEEDER SCREW 915 | |
| 4858-G 1 REPAIR KIT | | PR-6 1 BLEEDER SCREW 915 | | 10648 | Ø57 |
| GRASA-1 1 GREASE BAG | | 10640 | Ø32 | 4894-G 1 REPAIR KIT | |
| P-384901 1 CALIPER PISTON | | P-323201 2 CALIPER PISTON ALUMI | | GRASA-1 1 GREASE BAG | |
| PR-17 1 BLEEDER SCREW 915 | | 4857-G 1 REPAIR KIT | | P-574901 1 CALIPER PISTON | |
| 10632 | Ø57 | GRASA-1 1 GREASE BAG | | PR-14 1 BLEEDER SCREW 915 | |
| 4852-G 1 REPAIR KIT | | PR-17 1 BLEEDER SCREW 915 | | 10649 | Ø48 |
| GRASA-1 1 GREASE BAG | | 10641 | Ø32 | 3359-G 1 REPAIR KIT | |
| P-574601 1 CALIPER PISTON | | 4430-G 1 REPAIR KIT | | GRASA-1 1 GREASE BAG | |
| PR-5 1 BLEEDER SCREW 915 | | GRASA-1 1 GREASE BAG | | P-484905 1 CALIPER PISTON | |
| PR-6 1 BLEEDER SCREW 915 | | P-323801 1 CALIPER PISTON | | PR-7 1 BLEEDER SCREW 915 | |
| 10633 | Ø46 | PR-5 1 BLEEDER SCREW 915 | | 10650 | Ø54 |
| P-463001 4 CALIPER PISTON | | 10642 | Ø33 | 3823-G 1 REPAIR KIT | |
| 3403-G 1 REPAIR KIT | | 3518-G 1 REPAIR KIT | | GRASA-1 1 GREASE BAG | |
| GRASA-1 1 GREASE BAG | | GRASA-1 1 GREASE BAG | | P-544401 1 CALIPER PISTON | |
| PR-17 1 BLEEDER SCREW 915 | | P-334901 1 CALIPER PISTON | | PR-14 1 BLEEDER SCREW 915 | |
| PR-18 1 BLEEDER SCREW 915 | | PR-5 1 BLEEDER SCREW 915 | | 10651 | Ø48 |
| 10634 | Ø46 | PR-7 1 BLEEDER SCREW 915 | | P-484501 2 CALIPER PISTON | |
| P-463001 2 CALIPER PISTON | | 10643 | Ø33 | PR-17 2 BLEEDER SCREW 915 | |
| 4464-G 1 REPAIR KIT | | P-332901 2 CALIPER PISTON ALUMI | | 3129-G 1 REPAIR KIT | |
| GRASA-1 1 GREASE BAG | | 3367-G 1 REPAIR KIT | | GRASA-1 1 GREASE BAG | |
| PR-17 1 BLEEDER SCREW 915 | | GRASA-1 1 GREASE BAG | | 10652 | Ø48 |
| 10635 | Ø38 | PR-29 1 BLEEDER SCREW 917 | | 4837-G 1 REPAIR KIT | |
| 4661-G 1 REPAIR KIT | | 10644 | Ø34 | GRASA-1 1 GREASE BAG | |
| GRASA-1 1 GREASE BAG | | 3549-G 1 REPAIR KIT | | P-484804 1 CALIPER PISTON | |
| P-385102 1 CALIPER PISTON | | GRASA-1 1 GREASE BAG | | PR-18 1 BLEEDER SCREW 915 | |
| PR-17 1 BLEEDER SCREW 915 | | P-344702 1 CALIPER PISTON | | 10653 | Ø48 |
| 10636 | Ø30 | PR-13 1 BLEEDER SCREW 915 | | 3589-G 1 REPAIR KIT | |
| 4277-G 1 REPAIR KIT | | PR-17 1 BLEEDER SCREW 915 | | GRASA-1 1 GREASE BAG | |
| GRASA-1 1 GREASE BAG | | PR-8 1 BLEEDER SCREW 915 | | P-484803 1 CALIPER PISTON | |
| P-304101 1 CALIPER PISTON | | 10645 | Ø34 | PR-18 1 BLEEDER SCREW 915 | |
| PR-5 1 BLEEDER SCREW 915 | | 4517-G 1 REPAIR KIT | | 10654 | Ø48 |
| 10637 | Ø35 | GP-1013 1 SNAP RING | | 4547-G 1 REPAIR KIT | |
| 4624-G 1 REPAIR KIT | | GRASA-1 1 GREASE BAG | | GRASA-1 1 GREASE BAG | |
| GRASA-1 1 GREASE BAG | | P-344701 1 CALIPER PISTON | | P-484803 1 CALIPER PISTON | |
| P-354001 1 CALIPER PISTON | | PR-17 1 BLEEDER SCREW 915 | | PR-18 1 BLEEDER SCREW 915 | |
| PR-5 1 BLEEDER SCREW 915 | | | | | |



REPAIR KITS COMPOSITION



| | | | | | |
|--------------|---------------------|--------------|---------------------|--------------|---------------------|
| 10655 | Ø48 | 10663 | Ø38 | 10671 | Ø43 |
| 4468-G | 1 REPAIR KIT | 4636-G | 1 REPAIR KIT | P-434501 | 2 CALIPER PISTON |
| GRASA-1 | 1 GREASE BAG | GP-1013 | 1 SNAP RING | 3559-G | 1 REPAIR KIT |
| P-484803 | 1 CALIPER PISTON | GRASA-1 | 1 GREASE BAG | GRASA-1 | 1 GREASE BAG |
| PR-18 | 1 BLEEDER SCREW 915 | P-384702 | 1 CALIPER PISTON | PR-5 | 1 BLEEDER SCREW 915 |
| 10656 | Ø48 | 10664 | Ø38 | 10672 | Ø54 |
| 4467-G | 1 REPAIR KIT | P-382801 | 4 CALIPER PISTON | 3731-G | 1 REPAIR KIT |
| GRASA-1 | 1 GREASE BAG | PR-1 | 3 BLEEDER SCREW 915 | GRASA-1 | 1 GREASE BAG |
| P-484803 | 1 CALIPER PISTON | 3817-G | 1 REPAIR KIT | P-544901 | 1 CALIPER PISTON |
| PR-18 | 1 BLEEDER SCREW 915 | GRASA-1 | 1 GREASE BAG | PR-22 | 1 BLEEDER SCREW 915 |
| 10657 | Ø48 | 10665 | Ø38 | 10673 | Ø48 |
| 3343-G | 1 REPAIR KIT | P-382801 | 2 CALIPER PISTON | 4823-G | 1 REPAIR KIT |
| GRASA-1 | 1 GREASE BAG | 3371-G | 1 REPAIR KIT | GRASA-1 | 1 GREASE BAG |
| P-484803 | 1 CALIPER PISTON | GRASA-1 | 1 GREASE BAG | P-484804 | 1 CALIPER PISTON |
| PR-18 | 1 BLEEDER SCREW 915 | PR-1 | 1 BLEEDER SCREW 915 | PR-18 | 1 BLEEDER SCREW 915 |
| 10658 | Ø48 | 10666 | Ø38 | 10674 | Ø34 |
| P-475901 | 2 CALIPER PISTON | P-382802 | 2 CALIPER PISTON | P-342801 | 2 CALIPER PISTON |
| 3677-G | 1 REPAIR KIT | 3451-G | 1 REPAIR KIT | P-432801 | 2 CALIPER PISTON |
| GRASA-1 | 1 GREASE BAG | GRASA-1 | 1 GREASE BAG | 3827-G | 1 REPAIR KIT |
| PR-16 | 1 BLEEDER SCREW 915 | PR-5 | 1 BLEEDER SCREW 915 | GRASA-1 | 1 GREASE BAG |
| PR-2 | 1 BLEEDER SCREW 915 | PR-7 | 1 BLEEDER SCREW 915 | PR-19 | 1 BLEEDER SCREW 915 |
| PR-23 | 1 BLEEDER SCREW | RW-3012 | 1 HEAT SHIELD | 10675 | Ø34 |
| PR-5 | 1 BLEEDER SCREW 915 | RW-3013 | 1 HEAT SHIELD | 4371-G | 1 REPAIR KIT |
| 10659 | Ø43 | 10667 | Ø38 | GRASA-1 | 1 GREASE BAG |
| 4893-G | 1 REPAIR KIT | 4797-G | 1 REPAIR KIT | P-344101 | 1 CALIPER PISTON |
| GRASA-1 | 1 GREASE BAG | GRASA-1 | 1 GREASE BAG | PR-6 | 1 BLEEDER SCREW 915 |
| P-425102 | 1 CALIPER PISTON | P-384902 | 1 CALIPER PISTON | 10677 | Ø34 |
| PR-17 | 1 BLEEDER SCREW 915 | PR-17 | 1 BLEEDER SCREW 915 | 6007-G | 1 REPAIR KIT |
| PR-18 | 1 BLEEDER SCREW 915 | 10668 | Ø54 | GRASA-1 | 1 GREASE BAG |
| 10660 | Ø42 | P-542901 | 2 CALIPER PISTON | P-334601 | 1 CALIPER PISTON |
| P-414501 | 2 CALIPER PISTON | 3041-G | 1 REPAIR KIT | PR-17 | 1 BLEEDER SCREW 915 |
| 4454-G | 1 REPAIR KIT | GRASA-1 | 1 GREASE BAG | 10678 | Ø35 |
| GRASA-1 | 1 GREASE BAG | PR-17 | 1 BLEEDER SCREW 915 | P-352801 | 2 CALIPER PISTON |
| PR-5 | 1 BLEEDER SCREW 915 | PR-19 | 1 BLEEDER SCREW 915 | 4382-G | 1 REPAIR KIT |
| 10661 | Ø40 | PR-23 | 1 BLEEDER SCREW | GRASA-1 | 1 GREASE BAG |
| P-404901 | 2 CALIPER PISTON | 10669 | Ø54 | PR-4 | 1 BLEEDER SCREW 915 |
| PR-17 | 2 BLEEDER SCREW 915 | 3649-G | 1 REPAIR KIT | 10679 | Ø35 |
| 3466-G | 1 REPAIR KIT | GRASA-1 | 1 GREASE BAG | P-352801 | 2 CALIPER PISTON |
| GRASA-1 | 1 GREASE BAG | P-544901 | 1 CALIPER PISTON | 3256-G | 1 REPAIR KIT |
| 10662 | Ø40 | PR-17 | 1 BLEEDER SCREW 915 | GRASA-1 | 1 GREASE BAG |
| P-404901 | 2 CALIPER PISTON | 10670 | Ø57 | PR-4 | 1 BLEEDER SCREW 915 |
| PR-17 | 2 BLEEDER SCREW 915 | 4260-G | 1 REPAIR KIT | PR-7 | 1 BLEEDER SCREW 915 |
| 4368-G | 1 REPAIR KIT | GRASA-1 | 1 GREASE BAG | 10680 | Ø36 |
| GRASA-1 | 1 GREASE BAG | P-574901 | 1 CALIPER PISTON | P-364501 | 2 CALIPER PISTON |
| | | PR-5 | 1 BLEEDER SCREW 915 | 4439-G | 1 REPAIR KIT |
| | | | | GRASA-1 | 1 GREASE BAG |
| | | | | PR-5 | 1 BLEEDER SCREW 915 |



REPAIR KITS COMPOSITION



| | | | | | | | | |
|--------------|--------------|----------------|------------|----------------|----------------|---------------|----------------|------------|
| 10681 | Ø36 | 10691 | Ø42 | 10700 | Ø44 | | | |
| P-362901 | 4 | CALIPER PISTON | 4899-G | 1 | REPAIR KIT | | | |
| PR-3 | 3 | BLEEDER SCREW | 915 | GRASA-1 | 1 | GREASE BAG | | |
| 3321-G | 1 | REPAIR KIT | P-424801 | 1 | CALIPER PISTON | | | |
| GRASA-1 | 1 | GREASE BAG | PR-17 | 1 | BLEEDER SCREW | 915 | | |
| 10682 | Ø30 | 10692 | Ø43 | 10701 | Ø45 | | | |
| 3590-G | 1 | REPAIR KIT | 4357-G | 1 | REPAIR KIT | | | |
| GRASA-1 | 1 | GREASE BAG | GRASA-1 | 1 | GREASE BAG | | | |
| P-304601 | 1 | CALIPER PISTON | P-434801 | 1 | CALIPER PISTON | | | |
| PR-17 | 1 | BLEEDER SCREW | 915 | PR-18 | 1 | BLEEDER SCREW | 915 | |
| PR-18 | 1 | BLEEDER SCREW | 915 | 10693 | Ø43 | 10702 | Ø45 | |
| 10684 | Ø38 | 10693 | Ø43 | 10702 | Ø45 | | | |
| 4890-G | 1 | REPAIR KIT | 4278-G | 1 | REPAIR KIT | | | |
| GP-1018 | 1 | SNAP RING | GRASA-1 | 1 | GREASE BAG | | | |
| GRASA-1 | 1 | GREASE BAG | P-434801 | 1 | CALIPER PISTON | | | |
| P-385103 | 1 | CALIPER PISTON | PR-5 | 1 | BLEEDER SCREW | 915 | | |
| 10685 | Ø38 | 10694 | Ø43 | 10704 | Ø45 | | | |
| 4661-G | 1 | REPAIR KIT | P-434801 | 2 | CALIPER PISTON | | | |
| GRASA-1 | 1 | GREASE BAG | 4581-G | 1 | REPAIR KIT | | | |
| P-384901 | 1 | CALIPER PISTON | GRASA-1 | 1 | GREASE BAG | | | |
| PR-17 | 1 | BLEEDER SCREW | 915 | PR-18 | 1 | BLEEDER SCREW | 915 | |
| 10686 | Ø38 | 10695 | Ø43 | 10705 | Ø28 | | | |
| 4661-G | 1 | REPAIR KIT | P-434801 | 2 | CALIPER PISTON | | | |
| GP-1013 | 1 | SNAP RING | 4460-G | 1 | REPAIR KIT | | | |
| GRASA-1 | 1 | GREASE BAG | GRASA-1 | 1 | GREASE BAG | | | |
| P-384702 | 1 | CALIPER PISTON | PR-5 | 1 | BLEEDER SCREW | 915 | | |
| PR-17 | 1 | BLEEDER SCREW | 915 | 10696 | Ø43 | 10706 | Ø30 | |
| 10687 | Ø38 | 10696 | Ø43 | 10706 | Ø30 | | | |
| PR-17 | 2 | BLEEDER SCREW | 915 | 4626-G | 1 | REPAIR KIT | | |
| 4440-G | 1 | REPAIR KIT | GRASA-1 | 1 | GREASE BAG | | | |
| GRASA-1 | 1 | GREASE BAG | P-434501 | 1 | CALIPER PISTON | | | |
| P-384101 | 1 | CALIPER PISTON | PR-18 | 1 | BLEEDER SCREW | 915 | | |
| 10688 | Ø42 | 10697 | Ø43 | 10707 | Ø32 | | | |
| 4273-G | 1 | REPAIR KIT | P-434501 | 2 | CALIPER PISTON | | | |
| GRASA-1 | 1 | GREASE BAG | 4458-G | 1 | REPAIR KIT | | | |
| P-414501 | 1 | CALIPER PISTON | GRASA-1 | 1 | GREASE BAG | | | |
| PR-5 | 1 | BLEEDER SCREW | 915 | PR-5 | 1 | BLEEDER SCREW | 915 | |
| 10689 | Ø42,8 | 10697 | Ø43 | 10707 | Ø32 | | | |
| 3439-G | 1 | REPAIR KIT | P-434501 | 2 | CALIPER PISTON | | | |
| GRASA-1 | 1 | GREASE BAG | 4711-G | 1 | REPAIR KIT | | | |
| P-425102 | 1 | CALIPER PISTON | GRASA-1 | 1 | GREASE BAG | | | |
| PR-17 | 1 | BLEEDER SCREW | 915 | PR-18 | 1 | BLEEDER SCREW | 915 | |
| 10690 | Ø42 | 10698 | Ø44 | 10708 | Ø34 | | | |
| 4623-G | 1 | REPAIR KIT | P-445201 | 2 | CALIPER PISTON | | | |
| GRASA-1 | 1 | GREASE BAG | 4711-G | 1 | REPAIR KIT | | | |
| P-424802 | 1 | CALIPER PISTON | GRASA-1 | 1 | GREASE BAG | | | |
| PR-18 | 1 | BLEEDER SCREW | 915 | PR-3 | 3 | BLEEDER SCREW | 915 | |
| PR-7 | 1 | BLEEDER SCREW | 915 | PR-5 | 3 | BLEEDER SCREW | 915 | |
| | | 10699 | Ø44 | 10709 | Ø34 | | | |
| | | P-446101 | 2 | CALIPER PISTON | 4336-G | 1 | REPAIR KIT | |
| | | 4637-G | 1 | REPAIR KIT | GRASA-1 | 1 | GREASE BAG | |
| | | GRASA-1 | 1 | GREASE BAG | 10709 | Ø34 | | |
| | | PR-17 | 1 | BLEEDER SCREW | 915 | 4693-G | 1 | REPAIR KIT |
| | | | | | GRASA-1 | 1 | GREASE BAG | |
| | | | | | P-344602 | 1 | CALIPER PISTON | |
| | | | | | PR-17 | 1 | BLEEDER SCREW | 915 |



REPAIR KITS COMPOSITION

| | | | | | |
|--------------|---------------------|--------------|---------------------|--------------|---------------------|
| 10710 | Ø34 | 10719 | Ø35 | 10727 | Ø36 |
| 4822-G | 1 REPAIR KIT | 6064-G | 1 REPAIR KIT | P-362801 | 4 CALIPER PISTON |
| GRASA-1 | 1 GREASE BAG | GRASA-1 | 1 GREASE BAG | PR-1 | 3 BLEEDER SCREW 915 |
| P-345001 | 1 CALIPER PISTON | P-354001 | 1 CALIPER PISTON | 3816-G | 1 REPAIR KIT |
| PR-17 | 1 BLEEDER SCREW 915 | PR-5 | 1 BLEEDER SCREW 915 | GRASA-1 | 1 GREASE BAG |
| 10711 | Ø34 | 10720 | Ø35 | 10728 | Ø36 |
| P-342802 | 4 CALIPER PISTON | 3844-G | 1 REPAIR KIT | P-362801 | 2 CALIPER PISTON |
| PR-22 | 3 BLEEDER SCREW 915 | GRASA-1 | 1 GREASE BAG | 4372-G | 1 REPAIR KIT |
| 4336-G | 1 REPAIR KIT | P-354502 | 1 CALIPER PISTON | GRASA-1 | 1 GREASE BAG |
| GRASA-1 | 1 GREASE BAG | PR-5 | 1 BLEEDER SCREW 915 | PR-1 | 1 BLEEDER SCREW 915 |
| 10712 | Ø34 | 10721 | Ø35 | 10729 | Ø36 |
| P-343001 | 2 CALIPER PISTON | 6111-G | 1 REPAIR KIT | P-362902 | 2 CALIPER PISTON |
| 4431-G | 1 REPAIR KIT | GRASA-1 | 1 GREASE BAG | 3256-G | 1 REPAIR KIT |
| GRASA-1 | 1 GREASE BAG | P-354502 | 1 CALIPER PISTON | GRASA-1 | 1 GREASE BAG |
| PR-5 | 1 BLEEDER SCREW 915 | PR-5 | 1 BLEEDER SCREW 915 | PR-7 | 1 BLEEDER SCREW 915 |
| 10713 | Ø34 | 10722 | Ø35 | 10730 | Ø36 |
| 6007-G | 1 REPAIR KIT | P-353001 | 2 CALIPER PISTON | P-363001 | 2 CALIPER PISTON |
| GRASA-1 | 1 GREASE BAG | 6065-G | 1 REPAIR KIT | 3449-G | 1 REPAIR KIT |
| P-344801 | 1 CALIPER PISTON | GRASA-1 | 1 GREASE BAG | GRASA-1 | 1 GREASE BAG |
| PR-7 | 1 BLEEDER SCREW 915 | PR-7 | 1 BLEEDER SCREW 915 | 10731 | Ø36 |
| 10714 | Ø35 | 10723 | Ø36 | 4826-G | 1 REPAIR KIT |
| 4820-G | 1 REPAIR KIT | 3319-G | 1 REPAIR KIT | GRASA-1 | 1 GREASE BAG |
| GRASA-1 | 1 GREASE BAG | GRASA-1 | 1 GREASE BAG | P-354501 | 1 CALIPER PISTON |
| P-354502 | 1 CALIPER PISTON | P-364502 | 1 CALIPER PISTON | PR-5 | 1 BLEEDER SCREW 915 |
| PR-5 | 1 BLEEDER SCREW 915 | PR-18 | 1 BLEEDER SCREW 915 | 10732 | Ø36 |
| 10715 | Ø35 | PR-2 | 1 BLEEDER SCREW 915 | P-362902 | 2 CALIPER PISTON |
| 3576-G | 1 REPAIR KIT | PR-22 | 1 BLEEDER SCREW 915 | 4900-G | 1 REPAIR KIT |
| GRASA-1 | 1 GREASE BAG | PR-6 | 1 BLEEDER SCREW 915 | GRASA-1 | 1 GREASE BAG |
| P-354502 | 1 CALIPER PISTON | 10724 | Ø36 | PR-7 | 1 BLEEDER SCREW 915 |
| PR-5 | 1 BLEEDER SCREW 915 | 3319-G | 1 REPAIR KIT | 10733 | Ø36 |
| 10716 | Ø35 | GRASA-1 | 1 GREASE BAG | 4989-G | 1 REPAIR KIT |
| 4434-G | 1 REPAIR KIT | P-364503 | 1 CALIPER PISTON | GRASA-1 | 1 GREASE BAG |
| GRASA-1 | 1 GREASE BAG | PR-2 | 1 BLEEDER SCREW 915 | P-364801 | 1 CALIPER PISTON |
| P-354502 | 1 CALIPER PISTON | 10725 | Ø36 | PR-4 | 1 BLEEDER SCREW 915 |
| PR-18 | 1 BLEEDER SCREW 915 | 3483-G | 1 REPAIR KIT | 10734 | Ø38 |
| 10717 | Ø35 | GRASA-1 | 1 GREASE BAG | P-383101 | 2 CALIPER PISTON |
| 4435-G | 1 REPAIR KIT | P-364803 | 1 CALIPER PISTON | 4605-G | 1 REPAIR KIT |
| GRASA-1 | 1 GREASE BAG | PR-5 | 1 BLEEDER SCREW 915 | GRASA-1 | 1 GREASE BAG |
| P-354502 | 1 CALIPER PISTON | PR-7 | 1 BLEEDER SCREW 915 | PR-18 | 1 BLEEDER SCREW 915 |
| PR-5 | 1 BLEEDER SCREW 915 | 10726 | Ø36 | 10735 | Ø38 |
| 10718 | Ø35 | P-363001 | 2 CALIPER PISTON | 4358-G | 1 REPAIR KIT |
| 4624-G | 1 REPAIR KIT | 4382-G | 1 REPAIR KIT | GRASA-1 | 1 GREASE BAG |
| GRASA-1 | 1 GREASE BAG | GRASA-1 | 1 GREASE BAG | P-384903 | 1 CALIPER PISTON |
| P-354501 | 1 CALIPER PISTON | PR-7 | 1 BLEEDER SCREW 915 | PR-17 | 1 BLEEDER SCREW 915 |
| PR-5 | 1 BLEEDER SCREW 915 | | | | |



REPAIR KITS COMPOSITION



| | | | | | |
|--------------|---------------------|--------------|------------------------|--------------|---------------------|
| 10736 | Ø38 | 10744 | Ø38 | 10752 | Ø40 |
| 6043-G | 1 REPAIR KIT | P-383102 | 2 CALIPER PISTON | P-403201 | 4 CALIPER PISTON |
| GRASA-1 | 1 GREASE BAG | RW-3014 | 2 HEAT SHIELD | PR-3 | 2 BLEEDER SCREW 915 |
| P-385301 | 1 CALIPER PISTON | 3457-G | 1 REPAIR KIT | 3396-G | 1 REPAIR KIT |
| PR-17 | 1 BLEEDER SCREW 915 | GRASA-1 | 1 GREASE BAG | GRASA-1 | 1 GREASE BAG |
| 10737 | Ø38 | 10745 | Ø38 | 10753 | Ø40 |
| P-383001 | 2 CALIPER PISTON | 3648-G | 1 REPAIR KIT | P-403001 | 2 CALIPER PISTON |
| PR-3 | 2 BLEEDER SCREW 915 | GRASA-1 | 1 GREASE BAG | 3513-G | 1 REPAIR KIT |
| 3371-G | 1 REPAIR KIT | P-384801 | 1 CALIPER PISTON | GRASA-1 | 1 GREASE BAG |
| GRASA-1 | 1 GREASE BAG | PR-5 | 1 BLEEDER SCREW 915 | PR-7 | 1 BLEEDER SCREW 915 |
| PR-5 | 1 BLEEDER SCREW 915 | 10746 | Ø38 | 10754 | Ø40 |
| 10738 | Ø38 | P-385104 | 2 CALIPER PISTON | P-404903 | 2 CALIPER PISTON |
| 4702-G | 1 REPAIR KIT | 4303-G | 1 REPAIR KIT | PR-17 | 2 BLEEDER SCREW 915 |
| GRASA-1 | 1 GREASE BAG | GRASA-1 | 1 GREASE BAG | 3819-G | 1 REPAIR KIT |
| P-384601 | 1 CALIPER PISTON | PR-17 | 1 BLEEDER SCREW 915 | GRASA-1 | 1 GREASE BAG |
| PR-5 | 1 BLEEDER SCREW 915 | 10747 | Ø38 | 10755 | Ø40 |
| 10739 | Ø38 | 4859-G | 1 REPAIR KIT | PR-17 | 2 BLEEDER SCREW 915 |
| PR-22 | 2 BLEEDER SCREW 915 | GRASA-1 | 1 GREASE BAG | 4369-G | 1 REPAIR KIT |
| 3181-G | 1 REPAIR KIT | P-384802 | 1 CALIPER PISTON | GRASA-1 | 1 GREASE BAG |
| GRASA-1 | 1 GREASE BAG | PR-17 | 1 BLEEDER SCREW 915 | P-404101 | 1 CALIPER PISTON |
| P-385301 | 1 CALIPER PISTON | 10748 | Ø38 | 10756 | Ø40 |
| P-485302 | 1 CALIPER PISTON | 4978-G | 1 REPAIR KIT | 6044-G | 1 REPAIR KIT |
| 10740 | Ø38 | GRASA-1 | 1 GREASE BAG | GRASA-1 | 1 GREASE BAG |
| P-383102 | 2 CALIPER PISTON | P-385201 | 1 CALIPER PISTON | P-404905 | 1 CALIPER PISTON |
| RW-3014 | 2 HEAT SHIELD | PR-17 | 1 BLEEDER SCREW 915 | PR-17 | 1 BLEEDER SCREW 915 |
| 3371-G | 1 REPAIR KIT | 10749 | Ø38 | 10757 | Ø40 |
| GRASA-1 | 1 GREASE BAG | P-382902 | 2 CALIPER PISTON ALUMI | P-404901 | 2 CALIPER PISTON |
| PR-5 | 1 BLEEDER SCREW 915 | P-422902 | 2 CALIPER PISTON ALUMI | PR-17 | 2 BLEEDER SCREW 915 |
| PR-7 | 1 BLEEDER SCREW 915 | PR-17 | 2 BLEEDER SCREW 915 | 4640-G | 1 REPAIR KIT |
| 10741 | Ø38 | 6049-G | 1 REPAIR KIT | GRASA-1 | 1 GREASE BAG |
| 3429-G | 1 REPAIR KIT | GRASA-1 | 1 GREASE BAG | 10758 | Ø40 |
| GRASA-1 | 1 GREASE BAG | 10750 | Ø38 | P-402901 | 2 CALIPER PISTON |
| P-384801 | 1 CALIPER PISTON | P-383002 | 2 CALIPER PISTON | 3513-G | 1 REPAIR KIT |
| PR-5 | 1 BLEEDER SCREW 915 | P-423001 | 2 CALIPER PISTON | GRASA-1 | 1 GREASE BAG |
| PR-7 | 1 BLEEDER SCREW 915 | RW-3029 | 2 HEAT SHIELD | PR-4 | 1 BLEEDER SCREW 915 |
| 10742 | Ø38 | RW-3030 | 2 HEAT SHIELD | PR-7 | 1 BLEEDER SCREW 915 |
| 3429-G | 1 REPAIR KIT | 4449-G | 1 REPAIR KIT | 10759 | Ø40 |
| GRASA-1 | 1 GREASE BAG | GRASA-1 | 1 GREASE BAG | P-402902 | 4 CALIPER PISTON |
| P-385001 | 1 CALIPER PISTON | PR-15 | 1 BLEEDER SCREW 915 | 4450-G | 1 REPAIR KIT |
| PR-5 | 1 BLEEDER SCREW 915 | 10751 | Ø40 | GRASA-1 | 1 GREASE BAG |
| 10743 | Ø38 | 4452-G | 1 REPAIR KIT | PR-18 | 1 BLEEDER SCREW 915 |
| P-382903 | 2 CALIPER PISTON | GRASA-1 | 1 GREASE BAG | PR-5 | 1 BLEEDER SCREW 915 |
| 3831-G | 1 REPAIR KIT | P-404801 | 1 CALIPER PISTON | | |
| GRASA-1 | 1 GREASE BAG | PR-5 | 1 BLEEDER SCREW 915 | | |
| PR-4 | 1 BLEEDER SCREW 915 | PR-7 | 1 BLEEDER SCREW 915 | | |
| PR-5 | 1 BLEEDER SCREW 915 | | | | |



REPAIR KITS COMPOSITION



| | | | | | |
|--------------|------------------------|--------------|---------------------|--------------|------------------------|
| 10760 | Ø40 | 10769 | Ø42 | 10780 | Ø42 |
| P-403501 | 2 CALIPER PISTON | 4706-G | 1 REPAIR KIT | P-422902 | 4 CALIPER PISTON ALUMI |
| P-443501 | 2 CALIPER PISTON | GRASA-1 | 1 GREASE BAG | PR-17 | 2 BLEEDER SCREW 915 |
| RW-3016 | 2 HEAT SHIELD | P-424602 | 1 CALIPER PISTON | 6050-G | 1 REPAIR KIT |
| RW-3017 | 2 HEAT SHIELD | PR-22 | 1 BLEEDER SCREW 915 | GRASA-1 | 1 GREASE BAG |
| 4451-G | 1 REPAIR KIT | PR-3 | 1 BLEEDER SCREW 915 | 10781 | Ø43 |
| GRASA-1 | 1 GREASE BAG | 10770 | Ø42 | P-434802 | 2 CALIPER PISTON |
| PR-15 | 1 BLEEDER SCREW 915 | 4623-G | 1 REPAIR KIT | 3900-G | 1 REPAIR KIT |
| 10761 | Ø40 | GRASA-1 | 1 GREASE BAG | GRASA-1 | 1 GREASE BAG |
| P-404902 | 2 CALIPER PISTON | P-425201 | 1 CALIPER PISTON | PR-18 | 1 BLEEDER SCREW 915 |
| 4631-G | 1 REPAIR KIT | PR-18 | 1 BLEEDER SCREW 915 | 10782 | Ø43 |
| GRASA-1 | 1 GREASE BAG | 10771 | Ø42 | P-434801 | 2 CALIPER PISTON |
| PR-5 | 1 BLEEDER SCREW 915 | 4777-G | 1 REPAIR KIT | 4931-G | 1 REPAIR KIT |
| 10762 | Ø40 | GRASA-1 | 1 GREASE BAG | GRASA-1 | 1 GREASE BAG |
| 4918-G | 1 REPAIR KIT | P-425201 | 1 CALIPER PISTON | PR-5 | 1 BLEEDER SCREW 915 |
| GRASA-1 | 1 GREASE BAG | PR-18 | 1 BLEEDER SCREW 915 | 10783 | Ø43 |
| P-405301 | 1 CALIPER PISTON | PR-7 | 1 BLEEDER SCREW 915 | P-434901 | 2 CALIPER PISTON |
| PR-17 | 1 BLEEDER SCREW 915 | 10772 | Ø42 | 4511-G | 1 REPAIR KIT |
| 10763 | Ø40 | 4662-G | 1 REPAIR KIT | GRASA-1 | 1 GREASE BAG |
| P-403002 | 2 CALIPER PISTON | GP-1018 | 1 SNAP RING | PR-18 | 1 BLEEDER SCREW 915 |
| 4882-G | 1 REPAIR KIT | GRASA-1 | 1 GREASE BAG | 10784 | Ø43 |
| GRASA-1 | 1 GREASE BAG | P-425103 | 1 CALIPER PISTON | 4899-G | 1 REPAIR KIT |
| PR-7 | 1 BLEEDER SCREW 915 | PR-17 | 1 BLEEDER SCREW 915 | GRASA-1 | 1 GREASE BAG |
| 10764 | Ø40 | 10773 | Ø42 | P-434901 | 1 CALIPER PISTON |
| P-403202 | 2 CALIPER PISTON ALUMI | 4707-G | 1 REPAIR KIT | PR-17 | 1 BLEEDER SCREW 915 |
| P-443201 | 2 CALIPER PISTON ALUMI | GRASA-1 | 1 GREASE BAG | 10785 | Ø43 |
| PR-17 | 2 BLEEDER SCREW 915 | P-425001 | 1 CALIPER PISTON | P-434901 | 2 CALIPER PISTON |
| 4887-G | 1 REPAIR KIT | PR-16 | 1 BLEEDER SCREW 915 | 3604-G | 1 REPAIR KIT |
| GRASA-1 | 1 GREASE BAG | 10776 | Ø42 | GRASA-1 | 1 GREASE BAG |
| PR-22 | 1 BLEEDER SCREW 915 | P-423501 | 4 CALIPER PISTON | PR-17 | 1 BLEEDER SCREW 915 |
| PR-7 | 1 BLEEDER SCREW 915 | 3192-G | 1 REPAIR KIT | 10786 | Ø43 |
| 10765 | Ø40 | GRASA-1 | 1 GREASE BAG | P-435501 | 2 CALIPER PISTON |
| P-403203 | 2 CALIPER PISTON | PR-19 | 1 BLEEDER SCREW 915 | 6271-G | 1 REPAIR KIT |
| 4933-G | 1 REPAIR KIT | 10777 | Ø42 | GRASA-1 | 1 GREASE BAG |
| GRASA-1 | 1 GREASE BAG | P-422901 | 2 CALIPER PISTON | PR-17 | 1 BLEEDER SCREW 915 |
| PR-5 | 1 BLEEDER SCREW 915 | 3370-G | 1 REPAIR KIT | 10787 | Ø43 |
| 10766 | Ø40 | GRASA-1 | 1 GREASE BAG | 4292-G | 1 REPAIR KIT |
| 6041-G | 1 REPAIR KIT | PR-15 | 1 BLEEDER SCREW 915 | GRASA-1 | 1 GREASE BAG |
| GRASA-1 | 1 GREASE BAG | PR-4 | 1 BLEEDER SCREW 915 | P-425102 | 1 CALIPER PISTON |
| P-404903 | 1 CALIPER PISTON | PR-5 | 1 BLEEDER SCREW 915 | PR-17 | 1 BLEEDER SCREW 915 |
| PR-17 | 1 BLEEDER SCREW 915 | 10778 | Ø42 | 10788 | Ø43 |
| 10768 | Ø41 | P-424803 | 2 CALIPER PISTON | 4562-G | 1 REPAIR KIT |
| P-412801 | 2 CALIPER PISTON | PR-2 | 2 BLEEDER SCREW 915 | GRASA-1 | 1 GREASE BAG |
| 3190-G | 1 REPAIR KIT | 3437-G | 1 REPAIR KIT | P-434502 | 1 CALIPER PISTON |
| GRASA-1 | 1 GREASE BAG | GRASA-1 | 1 GREASE BAG | PR-4 | 1 BLEEDER SCREW 915 |
| PR-16 | 1 BLEEDER SCREW 915 | | | | |
| PR-18 | 1 BLEEDER SCREW 915 | | | | |



REPAIR KITS COMPOSITION



| | | | | | |
|--------------|---------------------|--------------|---------------------|--------------|---------------------|
| 10789 | Ø43 | 10797 | Ø44 | 10807 | Ø45 |
| 4708-G | 1 REPAIR KIT | P-443701 | 4 CALIPER PISTON | P-452901 | 4 CALIPER PISTON |
| GRASA-1 | 1 GREASE BAG | PR-17 | 3 BLEEDER SCREW 915 | 4463-G | 1 REPAIR KIT |
| P-434502 | 1 CALIPER PISTON | 4461-G | 1 REPAIR KIT | GRASA-1 | 1 GREASE BAG |
| PR-18 | 1 BLEEDER SCREW 915 | GRASA-1 | 1 GREASE BAG | PR-18 | 1 BLEEDER SCREW 915 |
| 10790 | Ø43 | 10798 | Ø44 | 10808 | Ø45 |
| P-424801 | 2 CALIPER PISTON | P-443401 | 4 CALIPER PISTON | 4997-G | 1 REPAIR KIT |
| 4944-G | 1 REPAIR KIT | PR-17 | 2 BLEEDER SCREW 915 | GRASA-1 | 1 GREASE BAG |
| GRASA-1 | 1 GREASE BAG | 4529-G | 1 REPAIR KIT | P-454801 | 1 CALIPER PISTON |
| PR-17 | 1 BLEEDER SCREW 915 | GRASA-1 | 1 GREASE BAG | PR-17 | 1 BLEEDER SCREW 915 |
| PR-18 | 1 BLEEDER SCREW 915 | 10799 | Ø44 | 10809 | Ø45 |
| 10791 | Ø43 | P-446301 | 2 CALIPER PISTON | P-455101 | 2 CALIPER PISTON |
| PR-22 | 2 BLEEDER SCREW 915 | 4991-G | 1 REPAIR KIT | PR-3 | 2 BLEEDER SCREW 915 |
| 3651-G | 1 REPAIR KIT | GRASA-1 | 1 GREASE BAG | 3381-G | 1 REPAIR KIT |
| GRASA-1 | 1 GREASE BAG | PR-17 | 1 BLEEDER SCREW 915 | GRASA-1 | 1 GREASE BAG |
| P-435301 | 1 CALIPER PISTON | 10800 | Ø44 | 10810 | Ø45 |
| P-485302 | 1 CALIPER PISTON | P-444502 | 2 CALIPER PISTON | 3898-G | 1 REPAIR KIT |
| 10792 | Ø43 | 4462-G | 1 REPAIR KIT | GRASA-1 | 1 GREASE BAG |
| 6090-G | 1 REPAIR KIT | GRASA-1 | 1 GREASE BAG | P-454502 | 1 CALIPER PISTON |
| GRASA-1 | 1 GREASE BAG | PR-18 | 1 BLEEDER SCREW 915 | PR-18 | 1 BLEEDER SCREW 915 |
| P-425102 | 1 CALIPER PISTON | PR-5 | 1 BLEEDER SCREW 915 | 10811 | Ø45 |
| PR-17 | 1 BLEEDER SCREW 915 | 10802 | Ø45 | P-455101 | 2 CALIPER PISTON |
| 10793 | Ø43 | P-453102 | 2 CALIPER PISTON | PR-17 | 2 BLEEDER SCREW 915 |
| 6089-G | 1 REPAIR KIT | P-513101 | 2 CALIPER PISTON | 4664-G | 1 REPAIR KIT |
| GRASA-1 | 1 GREASE BAG | 4712-G | 1 REPAIR KIT | GRASA-1 | 1 GREASE BAG |
| P-434802 | 1 CALIPER PISTON | GRASA-1 | 1 GREASE BAG | 10812 | Ø45 |
| PR-18 | 1 BLEEDER SCREW 915 | PR-19 | 1 BLEEDER SCREW 915 | P-453102 | 4 CALIPER PISTON |
| 10794 | Ø43 | 10803 | Ø45 | 6004-G | 1 REPAIR KIT |
| 6077-G | 1 REPAIR KIT | P-453102 | 4 CALIPER PISTON | GRASA-1 | 1 GREASE BAG |
| GRASA-1 | 1 GREASE BAG | 4463-G | 1 REPAIR KIT | PR-18 | 1 BLEEDER SCREW 915 |
| P-425102 | 1 CALIPER PISTON | GRASA-1 | 1 GREASE BAG | PR-5 | 1 BLEEDER SCREW 915 |
| PR-17 | 1 BLEEDER SCREW 915 | PR-18 | 1 BLEEDER SCREW 915 | 10813 | Ø45 |
| PR-20 | 1 BLEEDER SCREW 915 | 10804 | Ø45 | 4329-G | 1 REPAIR KIT |
| 10795 | Ø44 | P-455601 | 2 CALIPER PISTON | GRASA-1 | 1 GREASE BAG |
| PR-17 | 2 BLEEDER SCREW 915 | 4713-G | 1 REPAIR KIT | P-455302 | 1 CALIPER PISTON |
| 4663-G | 1 REPAIR KIT | GRASA-1 | 1 GREASE BAG | PR-18 | 1 BLEEDER SCREW 915 |
| GRASA-1 | 1 GREASE BAG | PR-17 | 1 BLEEDER SCREW 915 | 10814 | Ø45 |
| P-445701 | 1 CALIPER PISTON | 10805 | Ø45 | P-454601 | 2 CALIPER PISTON |
| P-485701 | 1 CALIPER PISTON | P-445001 | 2 CALIPER PISTON | 4762-G | 1 REPAIR KIT |
| 10796 | Ø44 | 4620-G | 1 REPAIR KIT | GRASA-1 | 1 GREASE BAG |
| P-443401 | 4 CALIPER PISTON | GRASA-1 | 1 GREASE BAG | PR-14 | 1 BLEEDER SCREW 915 |
| PR-17 | 3 BLEEDER SCREW 915 | PR-5 | 1 BLEEDER SCREW 915 | 10815 | Ø45 |
| 3459-G | 1 REPAIR KIT | 10806 | Ø45 | 6066-G | 1 REPAIR KIT |
| GRASA-1 | 1 GREASE BAG | 4773-G | 1 REPAIR KIT | GRASA-1 | 1 GREASE BAG |
| | | GRASA-1 | 1 GREASE BAG | P-454902 | 1 CALIPER PISTON |
| | | P-444501 | 1 CALIPER PISTON | PR-17 | 1 BLEEDER SCREW 915 |
| | | PR-5 | 1 BLEEDER SCREW 915 | | |



REPAIR KITS COMPOSITION



| | | | | | |
|---------------------------|------------|---------------------------|------------|---------------------------|------------|
| 10816 | Ø46 | 10824 | Ø48 | 10833 | Ø48 |
| P-464601 2 CALIPER PISTON | | 4466-G 1 REPAIR KIT | | P-485302 2 CALIPER PISTON | |
| 4808-G 1 REPAIR KIT | | GRASA-1 1 GREASE BAG | | 4722-G 1 REPAIR KIT | |
| GRASA-1 1 GREASE BAG | | P-484403 1 CALIPER PISTON | | GRASA-1 1 GREASE BAG | |
| PR-14 1 BLEEDER SCREW 915 | | PR-18 1 BLEEDER SCREW 915 | | PR-17 1 BLEEDER SCREW 915 | |
| 10817 | Ø46 | 10825 | Ø48 | 10834 | Ø48 |
| 4885-G 1 REPAIR KIT | | 4911-G 1 REPAIR KIT | | 2675-G 1 REPAIR KIT | |
| GRASA-1 1 GREASE BAG | | GRASA-1 1 GREASE BAG | | GRASA-1 1 GREASE BAG | |
| P-464801 1 CALIPER PISTON | | P-484403 1 CALIPER PISTON | | P-485003 1 CALIPER PISTON | |
| PR-7 1 BLEEDER SCREW 915 | | PR-13 1 BLEEDER SCREW 915 | | PR-18 1 BLEEDER SCREW 915 | |
| 10818 | Ø46 | 10826 | Ø48 | 10835 | Ø48 |
| P-464601 2 CALIPER PISTON | | 3859-G 1 REPAIR KIT | | 3038-G 1 REPAIR KIT | |
| 6003-G 1 REPAIR KIT | | GRASA-1 1 GREASE BAG | | GRASA-1 1 GREASE BAG | |
| GRASA-1 1 GREASE BAG | | P-484403 1 CALIPER PISTON | | P-484402 1 CALIPER PISTON | |
| PR-14 1 BLEEDER SCREW 915 | | PR-5 1 BLEEDER SCREW 915 | | PR-2 1 BLEEDER SCREW 915 | |
| PR-6 1 BLEEDER SCREW 915 | | 10827 | Ø48 | 10836 | Ø48 |
| 10819 | Ø48 | 4385-G 1 REPAIR KIT | | 2679-G 1 REPAIR KIT | |
| 3267-G 1 REPAIR KIT | | GRASA-1 1 GREASE BAG | | GRASA-1 1 GREASE BAG | |
| GRASA-1 1 GREASE BAG | | P-484502 1 CALIPER PISTON | | P-485003 1 CALIPER PISTON | |
| P-484901 1 CALIPER PISTON | | PR-14 1 BLEEDER SCREW 915 | | PR-18 1 BLEEDER SCREW 915 | |
| PR-22 1 BLEEDER SCREW 915 | | 10828 | Ø48 | 10838 | Ø48 |
| 10820 | Ø48 | P-485202 2 CALIPER PISTON | | 2675-G 1 REPAIR KIT | |
| 4776-G 1 REPAIR KIT | | 3618-G 1 REPAIR KIT | | GRASA-1 1 GREASE BAG | |
| GRASA-1 1 GREASE BAG | | GRASA-1 1 GREASE BAG | | P-484402 1 CALIPER PISTON | |
| P-485502 1 CALIPER PISTON | | PR-18 1 BLEEDER SCREW 915 | | PR-18 1 BLEEDER SCREW 915 | |
| PR-17 1 BLEEDER SCREW 915 | | 10829 | Ø48 | PR-2 1 BLEEDER SCREW 915 | |
| PR-7 1 BLEEDER SCREW 915 | | P-485202 2 CALIPER PISTON | | PR-22 1 BLEEDER SCREW 915 | |
| 10821 | Ø48 | 4719-G 1 REPAIR KIT | | 10839 | Ø48 |
| P-483001 2 CALIPER PISTON | | GRASA-1 1 GREASE BAG | | P-483301 2 CALIPER PISTON | |
| 3356-G 1 REPAIR KIT | | PR-18 1 BLEEDER SCREW 915 | | 3442-G 1 REPAIR KIT | |
| GRASA-1 1 GREASE BAG | | 10830 | Ø48 | GRASA-1 1 GREASE BAG | |
| PR-15 1 BLEEDER SCREW 915 | | 4939-G 1 REPAIR KIT | | 10840 | Ø48 |
| PR-19 1 BLEEDER SCREW 915 | | GRASA-1 1 GREASE BAG | | 3499-G 1 REPAIR KIT | |
| PR-4 1 BLEEDER SCREW 915 | | P-485202 1 CALIPER PISTON | | GRASA-1 1 GREASE BAG | |
| 10822 | Ø48 | PR-18 1 BLEEDER SCREW 915 | | P-485503 1 CALIPER PISTON | |
| P-483001 2 CALIPER PISTON | | 10831 | Ø48 | PR-5 1 BLEEDER SCREW 915 | |
| 4257-G 1 REPAIR KIT | | 4952-G 1 REPAIR KIT | | 10841 | Ø48 |
| GRASA-1 1 GREASE BAG | | GRASA-1 1 GREASE BAG | | 4645-G 1 REPAIR KIT | |
| PR-15 1 BLEEDER SCREW 915 | | P-484403 1 CALIPER PISTON | | GRASA-1 1 GREASE BAG | |
| PR-5 1 BLEEDER SCREW 915 | | PR-18 1 BLEEDER SCREW 915 | | P-485203 1 CALIPER PISTON | |
| 10823 | Ø48 | 10832 | Ø48 | PR-3 1 BLEEDER SCREW 915 | |
| P-486001 2 CALIPER PISTON | | 3344-G 1 REPAIR KIT | | 10842 | Ø48 |
| 4996-G 1 REPAIR KIT | | GRASA-1 1 GREASE BAG | | 4645-G 1 REPAIR KIT | |
| GRASA-1 1 GREASE BAG | | P-484403 1 CALIPER PISTON | | GRASA-1 1 GREASE BAG | |
| PR-17 1 BLEEDER SCREW 915 | | PR-18 1 BLEEDER SCREW 915 | | P-485001 1 CALIPER PISTON | |
| | | | | PR-17 1 BLEEDER SCREW 915 | |
| | | | | PR-2 1 BLEEDER SCREW 915 | |



REPAIR KITS COMPOSITION



| | | | | | |
|--------------|------------------------|--------------|---------------------|--------------|---------------------|
| 10843 | Ø48 | 10853 | Ø51 | 10863 | Ø51 |
| 4774-G | 1 REPAIR KIT | 4639-G | 1 REPAIR KIT | 6088-G | 1 REPAIR KIT |
| GRASA-1 | 1 GREASE BAG | GRASA-1 | 1 GREASE BAG | GRASA-1 | 1 GREASE BAG |
| P-485504 | 1 CALIPER PISTON | P-514601 | 1 CALIPER PISTON | P-514504 | 1 CALIPER PISTON |
| PR-22 | 1 BLEEDER SCREW 915 | PR-14 | 1 BLEEDER SCREW 915 | PR-5 | 1 BLEEDER SCREW 915 |
| 10844 | Ø48 | 10854 | Ø51 | 10864 | Ø51 |
| 4776-G | 1 REPAIR KIT | 4474-G | 1 REPAIR KIT | 3822-G | 1 REPAIR KIT |
| GRASA-1 | 1 GREASE BAG | GRASA-1 | 1 GREASE BAG | GRASA-1 | 1 GREASE BAG |
| P-485601 | 1 CALIPER PISTON | P-514601 | 1 CALIPER PISTON | P-514503 | 1 CALIPER PISTON |
| PR-7 | 1 BLEEDER SCREW 915 | PR-18 | 1 BLEEDER SCREW 915 | PR-14 | 1 BLEEDER SCREW 915 |
| 10845 | Ø48 | 10855 | Ø51 | 10865 | Ø51 |
| 4776-G | 1 REPAIR KIT | 4480-G | 1 REPAIR KIT | 3845-G | 1 REPAIR KIT |
| GRASA-1 | 1 GREASE BAG | GRASA-1 | 1 GREASE BAG | GRASA-1 | 1 GREASE BAG |
| P-484805 | 1 CALIPER PISTON ALUMI | P-514601 | 1 CALIPER PISTON | P-514502 | 1 CALIPER PISTON |
| PR-18 | 1 BLEEDER SCREW 915 | PR-14 | 1 BLEEDER SCREW 915 | PR-4 | 1 BLEEDER SCREW 915 |
| 10846 | Ø48 | 10857 | Ø51 | 10866 | Ø51 |
| 4776-G | 1 REPAIR KIT | 4478-G | 1 REPAIR KIT | 3620-G | 1 REPAIR KIT |
| GRASA-1 | 1 GREASE BAG | GRASA-1 | 1 GREASE BAG | GRASA-1 | 1 GREASE BAG |
| P-485204 | 1 CALIPER PISTON PHENO | P-514601 | 1 CALIPER PISTON | P-514802 | 1 CALIPER PISTON |
| PR-23 | 1 BLEEDER SCREW | PR-14 | 1 BLEEDER SCREW 915 | PR-18 | 1 BLEEDER SCREW 915 |
| 10847 | Ø48 | 10858 | Ø51 | 10867 | Ø51 |
| P-485203 | 2 CALIPER PISTON | 4284-G | 1 REPAIR KIT | 6067-G | 1 REPAIR KIT |
| 6286-G | 1 REPAIR KIT | GRASA-1 | 1 GREASE BAG | GRASA-1 | 1 GREASE BAG |
| GRASA-1 | 1 GREASE BAG | GRASA-1 | 1 GREASE BAG | P-514401 | 1 CALIPER PISTON |
| PR-17 | 1 BLEEDER SCREW 915 | P-514503 | 1 CALIPER PISTON | PR-18 | 1 BLEEDER SCREW 915 |
| 10848 | Ø48 | 10860 | Ø51 | 10868 | Ø51 |
| P-485204 | 2 CALIPER PISTON PHENO | PR-14 | 1 BLEEDER SCREW 915 | 4472-G | 1 REPAIR KIT |
| 6002-G | 1 REPAIR KIT | PR-5 | 1 BLEEDER SCREW 915 | GRASA-1 | 1 GREASE BAG |
| GRASA-1 | 1 GREASE BAG | PR-6 | 1 BLEEDER SCREW 915 | P-514504 | 1 CALIPER PISTON |
| PR-23 | 1 BLEEDER SCREW | 10861 | Ø51 | PR-5 | 1 BLEEDER SCREW 915 |
| 10850 | Ø48 | 3709-G | 1 REPAIR KIT | 10869 | Ø51 |
| 6048-G | 1 REPAIR KIT | GRASA-1 | 1 GREASE BAG | 4476-G | 1 REPAIR KIT |
| GRASA-1 | 1 GREASE BAG | P-514201 | 1 CALIPER PISTON | GRASA-1 | 1 GREASE BAG |
| P-485205 | 1 CALIPER PISTON | PR-18 | 1 BLEEDER SCREW 915 | P-514502 | 1 CALIPER PISTON |
| PR-17 | 1 BLEEDER SCREW 915 | 10862 | Ø51 | PR-5 | 1 BLEEDER SCREW 915 |
| 10851 | Ø51 | 4723-G | 1 REPAIR KIT | 10870 | Ø51 |
| 3847-G | 1 REPAIR KIT | GRASA-1 | 1 GREASE BAG | 4563-G | 1 REPAIR KIT |
| GRASA-1 | 1 GREASE BAG | P-514201 | 1 CALIPER PISTON | GRASA-1 | 1 GREASE BAG |
| P-513901 | 1 CALIPER PISTON | PR-18 | 1 BLEEDER SCREW 915 | P-514501 | 1 CALIPER PISTON |
| PR-16 | 1 BLEEDER SCREW 915 | 10862 | Ø51 | PR-5 | 1 BLEEDER SCREW 915 |
| PR-18 | 1 BLEEDER SCREW 915 | 3733-G | 1 REPAIR KIT | 10871 | Ø51 |
| 10852 | Ø51 | GRASA-1 | 1 GREASE BAG | 4595-G | 1 REPAIR KIT |
| P-512801 | 2 CALIPER PISTON | P-514504 | 1 CALIPER PISTON | GRASA-1 | 1 GREASE BAG |
| 2616-G | 1 REPAIR KIT | PR-5 | 1 BLEEDER SCREW 915 | P-514505 | 1 CALIPER PISTON |
| GRASA-1 | 1 GREASE BAG | 10862 | Ø51 | PR-14 | 1 BLEEDER SCREW 915 |
| PR-16 | 1 BLEEDER SCREW 915 | 3733-G | 1 REPAIR KIT | PR-18 | 1 BLEEDER SCREW 915 |
| PR-5 | 1 BLEEDER SCREW 915 | GRASA-1 | 1 GREASE BAG | PR-5 | 1 BLEEDER SCREW 915 |



REPAIR KITS COMPOSITION



| | | | | | |
|--------------|------------------------|--------------|---------------------|--------------|---------------------|
| 10872 | Ø51 | 10881 | Ø54 | 10889 | Ø54 |
| 4635-G | 1 REPAIR KIT | 4488-G | 1 REPAIR KIT | 3073-G | 1 REPAIR KIT |
| GRASA-1 | 1 GREASE BAG | GRASA-1 | 1 GREASE BAG | GRASA-1 | 1 GREASE BAG |
| P-514201 | 1 CALIPER PISTON | P-544902 | 1 CALIPER PISTON | P-545202 | 1 CALIPER PISTON |
| PR-18 | 1 BLEEDER SCREW 915 | PR-14 | 1 BLEEDER SCREW 915 | PR-17 | 1 BLEEDER SCREW 915 |
| 10873 | Ø51 | 10882 | Ø54 | 10890 | Ø54 |
| 4824-G | 1 REPAIR KIT | 4503-G | 1 REPAIR KIT | 4318-G | 1 REPAIR KIT |
| GRASA-1 | 1 GREASE BAG | GRASA-1 | 1 GREASE BAG | GRASA-1 | 1 GREASE BAG |
| P-514801 | 1 CALIPER PISTON | P-544902 | 1 CALIPER PISTON | P-545502 | 1 CALIPER PISTON |
| PR-2 | 1 BLEEDER SCREW 915 | PR-14 | 1 BLEEDER SCREW 915 | PR-17 | 1 BLEEDER SCREW 915 |
| 10874 | Ø51 | 10883 | Ø54 | 10891 | Ø54 |
| 6293-G | 1 REPAIR KIT | 4387-G | 1 REPAIR KIT | 3565-G | 1 REPAIR KIT |
| GRASA-1 | 1 GREASE BAG | GRASA-1 | 1 GREASE BAG | GRASA-1 | 1 GREASE BAG |
| P-514503 | 1 CALIPER PISTON | P-544902 | 1 CALIPER PISTON | P-545104 | 1 CALIPER PISTON |
| PR-6 | 1 BLEEDER SCREW 915 | PR-5 | 1 BLEEDER SCREW 915 | PR-17 | 1 BLEEDER SCREW 915 |
| 10875 | Ø52 | 10884 | Ø54 | 10892 | Ø54 |
| 4751-G | 1 REPAIR KIT | P-543301 | 2 CALIPER PISTON | 4582-G | 1 REPAIR KIT |
| GRASA-1 | 1 GREASE BAG | PR-4 | 2 BLEEDER SCREW 915 | GRASA-1 | 1 GREASE BAG |
| P-526501 | 1 CALIPER PISTON | 3702-G | 1 REPAIR KIT | P-544701 | 1 CALIPER PISTON |
| PR-17 | 1 BLEEDER SCREW 915 | GRASA-1 | 1 GREASE BAG | PR-18 | 1 BLEEDER SCREW 915 |
| 10876 | Ø52 | 10885 | Ø54 | 10893 | Ø54 |
| P-525001 | 2 CALIPER PISTON | 3660-G | 1 REPAIR KIT | 4501-G | 1 REPAIR KIT |
| PR-17 | 2 BLEEDER SCREW 915 | GRASA-1 | 1 GREASE BAG | GRASA-1 | 1 GREASE BAG |
| RW-3028 | 2 HEAT SHIELD | P-545801 | 1 CALIPER PISTON | P-544701 | 1 CALIPER PISTON |
| 3058-G | 1 REPAIR KIT | PR-17 | 1 BLEEDER SCREW 915 | PR-17 | 1 BLEEDER SCREW 915 |
| GRASA-1 | 1 GREASE BAG | PR-18 | 1 BLEEDER SCREW 915 | PR-18 | 1 BLEEDER SCREW 915 |
| 10877 | Ø52 | 10886 | Ø54 | 10894 | Ø54 |
| 4671-G | 1 REPAIR KIT | 4502-G | 1 REPAIR KIT | 3498-G | 1 REPAIR KIT |
| GRASA-1 | 1 GREASE BAG | GRASA-1 | 1 GREASE BAG | GRASA-1 | 1 GREASE BAG |
| P-525601 | 1 CALIPER PISTON PHENO | P-544601 | 1 CALIPER PISTON | P-544903 | 1 CALIPER PISTON |
| PR-7 | 1 BLEEDER SCREW 915 | PR-13 | 1 BLEEDER SCREW 915 | PR-6 | 1 BLEEDER SCREW 915 |
| 10878 | Ø52 | 10887 | Ø54 | 10895 | Ø54 |
| 4724-G | 1 REPAIR KIT | 4613-G | 1 REPAIR KIT | 4256-G | 1 REPAIR KIT |
| GRASA-1 | 1 GREASE BAG | GRASA-1 | 1 GREASE BAG | GRASA-1 | 1 GREASE BAG |
| P-524802 | 1 CALIPER PISTON | P-544601 | 1 CALIPER PISTON | P-544903 | 1 CALIPER PISTON |
| PR-17 | 1 BLEEDER SCREW 915 | PR-14 | 1 BLEEDER SCREW 915 | PR-3 | 1 BLEEDER SCREW 915 |
| PR-18 | 1 BLEEDER SCREW 915 | 10888 | Ø54 | 10896 | Ø54 |
| 10879 | Ø52 | P-542902 | 2 CALIPER PISTON | 4668-G | 1 REPAIR KIT |
| 4884-G | 1 REPAIR KIT | 4485-G | 1 REPAIR KIT | GRASA-1 | 1 GREASE BAG |
| GRASA-1 | 1 GREASE BAG | GRASA-1 | 1 GREASE BAG | P-545203 | 1 CALIPER PISTON |
| P-524802 | 1 CALIPER PISTON | PR-23 | 1 BLEEDER SCREW | PR-2 | 1 BLEEDER SCREW 915 |
| PR-18 | 1 BLEEDER SCREW 915 | 10880 | Ø52 | | |
| 10880 | Ø52 | 4330-G | 1 REPAIR KIT | | |
| 4330-G | 1 REPAIR KIT | GRASA-1 | 1 GREASE BAG | | |
| GRASA-1 | 1 GREASE BAG | P-525302 | 1 CALIPER PISTON | | |
| P-525302 | 1 CALIPER PISTON | PR-18 | 1 BLEEDER SCREW 915 | | |
| PR-18 | 1 BLEEDER SCREW 915 | | | | |



REPAIR KITS COMPOSITION



| | | | | | |
|--------------|---------------------|--------------|---------------------|--------------|------------------------|
| 10897 | Ø54 | 10906 | Ø54 | 10916 | Ø54 |
| P-382803 | 2 CALIPER PISTON | 4274-G | 1 REPAIR KIT | 4765-G | 1 REPAIR KIT |
| 6021-G | 1 REPAIR KIT | GRASA-1 | 1 GREASE BAG | GRASA-1 | 1 GREASE BAG |
| GRASA-1 | 1 GREASE BAG | P-544501 | 1 CALIPER PISTON | P-545503 | 1 CALIPER PISTON PHENO |
| P-542902 | 1 CALIPER PISTON | PR-5 | 1 BLEEDER SCREW 915 | PR-22 | 1 BLEEDER SCREW 915 |
| PR-23 | 1 BLEEDER SCREW | | | | |
| 10898 | Ø54 | 10907 | Ø54 | 10918 | Ø54 |
| 3073-G | 1 REPAIR KIT | 4302-G | 1 REPAIR KIT | 4982-G | 1 REPAIR KIT |
| GRASA-1 | 1 GREASE BAG | GRASA-1 | 1 GREASE BAG | GRASA-1 | 1 GREASE BAG |
| P-545103 | 1 CALIPER PISTON | P-544903 | 1 CALIPER PISTON | P-545301 | 1 CALIPER PISTON |
| | | PR-3 | 1 BLEEDER SCREW 915 | PR-17 | 1 BLEEDER SCREW 915 |
| | | | | PR-22 | 1 BLEEDER SCREW 915 |
| 10899 | Ø54 | 10908 | Ø54 | 10919 | Ø54 |
| P-542903 | 2 CALIPER PISTON | 4381-G | 1 REPAIR KIT | 6091-G | 1 REPAIR KIT |
| 3041-G | 1 REPAIR KIT | GRASA-1 | 1 GREASE BAG | GRASA-1 | 1 GREASE BAG |
| GRASA-1 | 1 GREASE BAG | P-544501 | 1 CALIPER PISTON | P-544702 | 1 CALIPER PISTON |
| PR-2 | 1 BLEEDER SCREW 915 | PR-5 | 1 BLEEDER SCREW 915 | PR-5 | 1 BLEEDER SCREW 915 |
| PR-23 | 1 BLEEDER SCREW | | | | |
| PR-3 | 1 BLEEDER SCREW 915 | 10909 | Ø54 | 10920 | Ø54 |
| | | 4629-G | 1 REPAIR KIT | 3237-G | 1 REPAIR KIT |
| | | GRASA-1 | 1 GREASE BAG | GRASA-1 | 1 GREASE BAG |
| | | P-544501 | 1 CALIPER PISTON | P-544702 | 1 CALIPER PISTON |
| | | PR-18 | 1 BLEEDER SCREW 915 | PR-2 | 1 BLEEDER SCREW 915 |
| | | 10910 | Ø54 | 10921 | Ø54 |
| | | 4630-G | 1 REPAIR KIT | 3597-G | 1 REPAIR KIT |
| | | GRASA-1 | 1 GREASE BAG | GRASA-1 | 1 GREASE BAG |
| | | P-544904 | 1 CALIPER PISTON | P-544904 | 1 CALIPER PISTON |
| | | PR-18 | 1 BLEEDER SCREW 915 | PR-18 | 1 BLEEDER SCREW 915 |
| | | 10911 | Ø54 | 10922 | Ø54 |
| | | 4632-G | 1 REPAIR KIT | 3660-G | 1 REPAIR KIT |
| | | GRASA-1 | 1 GREASE BAG | GRASA-1 | 1 GREASE BAG |
| | | P-545102 | 1 CALIPER PISTON | P-545501 | 1 CALIPER PISTON |
| | | PR-17 | 1 BLEEDER SCREW 915 | PR-22 | 1 BLEEDER SCREW 915 |
| | | 10912 | Ø54 | 10923 | Ø54 |
| | | 4632-G | 1 REPAIR KIT | 3498-G | 1 REPAIR KIT |
| | | GRASA-1 | 1 GREASE BAG | GRASA-1 | 1 GREASE BAG |
| | | P-545001 | 1 CALIPER PISTON | P-544602 | 1 CALIPER PISTON |
| | | PR-2 | 1 BLEEDER SCREW 915 | PR-6 | 1 BLEEDER SCREW 915 |
| | | 10914 | Ø54 | 10925 | Ø54 |
| | | 4726-G | 1 REPAIR KIT | 4332-G | 1 REPAIR KIT |
| | | GRASA-1 | 1 GREASE BAG | GRASA-1 | 1 GREASE BAG |
| | | P-545301 | 1 CALIPER PISTON | P-545001 | 1 CALIPER PISTON |
| | | PR-5 | 1 BLEEDER SCREW 915 | PR-2 | 1 BLEEDER SCREW 915 |
| | | 10915 | Ø54 | 10926 | Ø54 |
| | | 4726-G | 1 REPAIR KIT | P-542901 | 2 CALIPER PISTON |
| | | GRASA-1 | 1 GREASE BAG | 4337-G | 1 REPAIR KIT |
| | | P-544901 | 1 CALIPER PISTON | GRASA-1 | 1 GREASE BAG |
| | | PR-17 | 1 BLEEDER SCREW 915 | | |
| | | PR-22 | 1 BLEEDER SCREW 915 | | |



REPAIR KITS COMPOSITION



| | | | | | |
|--------------|------------------------|--------------|---------------------|--------------|------------------------|
| 10928 | Ø54 | 10937 | Ø57 | 10945 | Ø57 |
| 6092-G | 1 REPAIR KIT | 4852-G | 1 REPAIR KIT | 4491-G | 1 REPAIR KIT |
| GRASA-1 | 1 GREASE BAG | GRASA-1 | 1 GREASE BAG | GRASA-1 | 1 GREASE BAG |
| P-545001 | 1 CALIPER PISTON | P-575203 | 1 CALIPER PISTON | P-574801 | 1 CALIPER PISTON |
| PR-14 | 1 BLEEDER SCREW 915 | PR-6 | 1 BLEEDER SCREW 915 | PR-18 | 1 BLEEDER SCREW 915 |
| 10929 | Ø54 | 10938 | Ø57 | 10946 | Ø38 |
| 6070-G | 1 REPAIR KIT | 6063-G | 1 REPAIR KIT | 6119-G | 1 REPAIR KIT |
| GRASA-1 | 1 GREASE BAG | GRASA-1 | 1 GREASE BAG | GP-30 | 1 SNAP RING |
| P-545104 | 1 CALIPER PISTON | P-575401 | 1 CALIPER PISTON | GRASA-1 | 1 GREASE BAG |
| PR-17 | 1 BLEEDER SCREW 915 | PR-15 | 1 BLEEDER SCREW 915 | P-384103 | 1 CALIPER PISTON |
| 10930 | Ø57 | PR-17 | 1 BLEEDER SCREW 915 | 10947 | Ø57 |
| 3391-G | 1 REPAIR KIT | PR-5 | 1 BLEEDER SCREW 915 | 4575-G | 1 REPAIR KIT |
| GRASA-1 | 1 GREASE BAG | PR-7 | 1 BLEEDER SCREW 915 | GRASA-1 | 1 GREASE BAG |
| P-575502 | 1 CALIPER PISTON | 10939 | Ø57 | P-574801 | 1 CALIPER PISTON |
| PR-7 | 1 BLEEDER SCREW 915 | P-572801 | 2 CALIPER PISTON | PR-18 | 1 BLEEDER SCREW 915 |
| 10931 | Ø57 | 3283-G | 1 REPAIR KIT | 10948 | Ø57 |
| 3550-G | 1 REPAIR KIT | GRASA-1 | 1 GREASE BAG | 4643-G | 1 REPAIR KIT |
| GRASA-1 | 1 GREASE BAG | PR-19 | 1 BLEEDER SCREW 915 | GRASA-1 | 1 GREASE BAG |
| P-575302 | 1 CALIPER PISTON | PR-5 | 1 BLEEDER SCREW 915 | P-575101 | 1 CALIPER PISTON |
| PR-13 | 1 BLEEDER SCREW 915 | 10940 | Ø57 | PR-22 | 1 BLEEDER SCREW 915 |
| PR-17 | 1 BLEEDER SCREW 915 | P-573001 | 2 CALIPER PISTON | 10949 | Ø57 |
| 10932 | Ø57 | 3446-G | 1 REPAIR KIT | 4643-G | 1 REPAIR KIT |
| 4768-G | 1 REPAIR KIT | GRASA-1 | 1 GREASE BAG | GRASA-1 | 1 GREASE BAG |
| GRASA-1 | 1 GREASE BAG | PR-12 | 1 BLEEDER SCREW 918 | P-575304 | 1 CALIPER PISTON |
| P-575503 | 1 CALIPER PISTON ALUMI | PR-15 | 1 BLEEDER SCREW 915 | PR-17 | 1 BLEEDER SCREW 915 |
| PR-17 | 1 BLEEDER SCREW 915 | RW-3024 | 1 HEAT SHIELD | 10950 | Ø57 |
| PR-18 | 1 BLEEDER SCREW 915 | RW-3025 | 1 HEAT SHIELD | 4643-G | 1 REPAIR KIT |
| 10933 | Ø57 | 10941 | Ø57 | GRASA-1 | 1 GREASE BAG |
| 3391-G | 1 REPAIR KIT | 3512-G | 1 REPAIR KIT | P-575202 | 1 CALIPER PISTON |
| GRASA-1 | 1 GREASE BAG | GRASA-1 | 1 GREASE BAG | PR-17 | 1 BLEEDER SCREW 915 |
| P-575801 | 1 CALIPER PISTON | P-575401 | 1 CALIPER PISTON | PR-22 | 1 BLEEDER SCREW 915 |
| PR-17 | 1 BLEEDER SCREW 915 | PR-15 | 1 BLEEDER SCREW 915 | 10951 | Ø57 |
| 10934 | Ø57 | 10942 | Ø57 | 4669-G | 1 REPAIR KIT |
| 4757-G | 1 REPAIR KIT | P-573401 | 2 CALIPER PISTON | GRASA-1 | 1 GREASE BAG |
| GRASA-1 | 1 GREASE BAG | PR-4 | 2 BLEEDER SCREW 915 | P-575201 | 1 CALIPER PISTON |
| P-575801 | 1 CALIPER PISTON | 3668-G | 1 REPAIR KIT | PR-2 | 1 BLEEDER SCREW 915 |
| PR-17 | 1 BLEEDER SCREW 915 | GRASA-1 | 1 GREASE BAG | 10952 | Ø57 |
| 10935 | Ø57 | 10943 | Ø57 | P-573002 | 2 CALIPER PISTON |
| 6063-G | 1 REPAIR KIT | 4305-G | 1 REPAIR KIT | 4761-G | 1 REPAIR KIT |
| GRASA-1 | 1 GREASE BAG | GRASA-1 | 1 GREASE BAG | GRASA-1 | 1 GREASE BAG |
| P-575302 | 1 CALIPER PISTON | P-575103 | 1 CALIPER PISTON | PR-12 | 1 BLEEDER SCREW 918 |
| PR-17 | 1 BLEEDER SCREW 915 | PR-17 | 1 BLEEDER SCREW 915 | RW-3022 | 1 HEAT SHIELD |
| PR-7 | 1 BLEEDER SCREW 915 | PR-18 | 1 BLEEDER SCREW 915 | RW-3023 | 1 HEAT SHIELD |
| 10936 | Ø57 | 10944 | Ø57 | 10953 | Ø57 |
| 3682-G | 1 REPAIR KIT | 4490-G | 1 REPAIR KIT | 6042-G | 1 REPAIR KIT |
| GRASA-1 | 1 GREASE BAG | GRASA-1 | 1 GREASE BAG | GRASA-1 | 1 GREASE BAG |
| P-575102 | 1 CALIPER PISTON | P-574901 | 1 CALIPER PISTON | P-575503 | 1 CALIPER PISTON ALUMI |
| PR-13 | 1 BLEEDER SCREW 915 | PR-14 | 1 BLEEDER SCREW 915 | PR-18 | 1 BLEEDER SCREW 915 |



REPAIR KITS COMPOSITION



| | | | | | |
|---------------------------|------------|---------------------------------|------------|---------------------------------|------------|
| 10954 | Ø57 | 10964 | Ø60 | 10972 | Ø60 |
| 3391-G 1 REPAIR KIT | | P-606301 2 CALIPER PISTON | | P-603101 2 CALIPER PISTON | |
| GRASA-1 1 GREASE BAG | | 4498-G 1 REPAIR KIT | | 1138 1 HEAT SHIELD 907 | |
| P-575303 1 CALIPER PISTON | | GRASA-1 1 GREASE BAG | | 1139 1 HEAT SHIELD 908 | |
| PR-5 1 BLEEDER SCREW 915 | | PR-18 1 BLEEDER SCREW 915 | | 3447-G 1 REPAIR KIT | |
| 10955 | Ø60 | 10965 | Ø60 | GRASA-1 1 GREASE BAG | |
| 3133-G 1 REPAIR KIT | | 4266-G 1 REPAIR KIT | | PR-15 1 BLEEDER SCREW 915 | |
| GRASA-1 1 GREASE BAG | | GRASA-1 1 GREASE BAG | | 10973 | Ø60 |
| P-605303 1 CALIPER PISTON | | P-604803 1 CALIPER PISTON | | 3133-G 1 REPAIR KIT | |
| PR-18 1 BLEEDER SCREW 915 | | PR-18 1 BLEEDER SCREW 915 | | GRASA-1 1 GREASE BAG | |
| 10956 | Ø60 | 10966 | Ø60 | P-605502 1 CALIPER PISTON | |
| 4296-G 1 REPAIR KIT | | 4734-G 1 REPAIR KIT | | PR-18 1 BLEEDER SCREW 915 | |
| GRASA-1 1 GREASE BAG | | GRASA-1 1 GREASE BAG | | 10974 | Ø60 |
| P-605201 1 CALIPER PISTON | | P-604804 1 CALIPER PISTON | | 3133-G 1 REPAIR KIT | |
| PR-16 1 BLEEDER SCREW 915 | | PR-5 1 BLEEDER SCREW 915 | | GRASA-1 1 GREASE BAG | |
| 10957 | Ø60 | 10967 | Ø60 | P-604901 1 CALIPER PISTON | |
| 3133-G 1 REPAIR KIT | | 4760-G 1 REPAIR KIT | | PR-7 1 BLEEDER SCREW 915 | |
| GRASA-1 1 GREASE BAG | | GRASA-1 1 GREASE BAG | | 10975 | Ø60 |
| P-605201 1 CALIPER PISTON | | P-604804 1 CALIPER PISTON | | 6039-G 1 REPAIR KIT | |
| PR-18 1 BLEEDER SCREW 915 | | PR-5 1 BLEEDER SCREW 915 | | GRASA-1 1 GREASE BAG | |
| 10958 | Ø60 | 10968 | Ø60 | P-605303 1 CALIPER PISTON | |
| 6039-G 1 REPAIR KIT | | 6022-G 1 REPAIR KIT | | PR-18 1 BLEEDER SCREW 915 | |
| GRASA-1 1 GREASE BAG | | GRASA-1 1 GREASE BAG | | 10976 | Ø60 |
| P-605602 1 CALIPER PISTON | | P-604805 1 CALIPER PISTON | | 3438-G 1 REPAIR KIT | |
| PR-16 1 BLEEDER SCREW 915 | | PR-18 1 BLEEDER SCREW 915 | | GRASA-1 1 GREASE BAG | |
| 10959 | Ø60 | 10969 | Ø60 | P-605501 1 CALIPER PISTON ALUMI | |
| 4286-G 1 REPAIR KIT | | 4565-G 1 REPAIR KIT | | PR-18 1 BLEEDER SCREW 915 | |
| GRASA-1 1 GREASE BAG | | GRASA-1 1 GREASE BAG | | 10977 | Ø60 |
| P-604802 1 CALIPER PISTON | | P-605501 1 CALIPER PISTON ALUMI | | 3168-G 1 REPAIR KIT | |
| PR-18 1 BLEEDER SCREW 915 | | PR-17 1 BLEEDER SCREW 915 | | GRASA-1 1 GREASE BAG | |
| PR-5 1 BLEEDER SCREW 915 | | PR-18 1 BLEEDER SCREW 915 | | P-605001 1 CALIPER PISTON | |
| 10960 | Ø60 | PR-7 1 BLEEDER SCREW 915 | | PR-18 1 BLEEDER SCREW 915 | |
| 3438-G 1 REPAIR KIT | | 10970 | Ø60 | PR-19 1 BLEEDER SCREW 915 | |
| GRASA-1 1 GREASE BAG | | P-603002 2 CALIPER PISTON | | 10978 | Ø60 |
| P-605502 1 CALIPER PISTON | | RW-3019 2 HEAT SHIELD | | 3378-G 1 REPAIR KIT | |
| PR-18 1 BLEEDER SCREW 915 | | 3456-G 1 REPAIR KIT | | GRASA-1 1 GREASE BAG | |
| 10961 | Ø60 | GRASA-1 1 GREASE BAG | | P-604807 1 CALIPER PISTON | |
| 4758-G 1 REPAIR KIT | | PR-7 1 BLEEDER SCREW 915 | | PR-17 1 BLEEDER SCREW 915 | |
| GRASA-1 1 GREASE BAG | | 10971 | Ø60 | 10979 | Ø60 |
| P-605502 1 CALIPER PISTON | | P-602901 2 CALIPER PISTON | | 3438-G 1 REPAIR KIT | |
| PR-17 1 BLEEDER SCREW 915 | | 1138 1 HEAT SHIELD 907 | | GRASA-1 1 GREASE BAG | |
| 10963 | Ø60 | 1139 1 HEAT SHIELD 908 | | P-605201 1 CALIPER PISTON | |
| 4565-G 1 REPAIR KIT | | 3447-G 1 REPAIR KIT | | PR-18 1 BLEEDER SCREW 915 | |
| GRASA-1 1 GREASE BAG | | GRASA-1 1 GREASE BAG | | 10980 | Ø60 |
| P-605502 1 CALIPER PISTON | | PR-15 1 BLEEDER SCREW 915 | | 4271-G 1 REPAIR KIT | |
| PR-18 1 BLEEDER SCREW 915 | | | | GRASA-1 1 GREASE BAG | |
| PR-7 1 BLEEDER SCREW 915 | | | | P-604601 1 CALIPER PISTON | |
| | | | | PR-2 1 BLEEDER SCREW 915 | |



REPAIR KITS COMPOSITION



| | | | | | |
|--------------|---------------------|--------------|------------------------|--------------|------------------------|
| 10981 | Ø60 | 10990 | Ø60 | 10999 | Ø46 |
| 4272-G | 1 REPAIR KIT | 4967-G | 1 REPAIR KIT | P-463201 | 4 CALIPER PISTON ALUMI |
| GRASA-1 | 1 GREASE BAG | GRASA-1 | 1 GREASE BAG | PR-17 | 2 BLEEDER SCREW 915 |
| P-604601 | 1 CALIPER PISTON | P-605202 | 1 CALIPER PISTON | PR-22 | 2 BLEEDER SCREW 915 |
| PR-5 | 1 BLEEDER SCREW 915 | PR-14 | 1 BLEEDER SCREW 915 | 6140-G | 1 REPAIR KIT |
| 10982 | Ø60 | PR-5 | 1 BLEEDER SCREW 915 | GRASA-1 | 1 GREASE BAG |
| 4304-G | 1 REPAIR KIT | 10991 | Ø60 | 11000 | Ø48 |
| GRASA-1 | 1 GREASE BAG | 6039-G | 1 REPAIR KIT | P-485901 | 2 CALIPER PISTON |
| P-605101 | 1 CALIPER PISTON | GRASA-1 | 1 GREASE BAG | 6052-G | 1 REPAIR KIT |
| PR-17 | 1 BLEEDER SCREW 915 | P-605801 | 1 CALIPER PISTON | GRASA-1 | 1 GREASE BAG |
| 10983 | Ø60 | PR-22 | 1 BLEEDER SCREW 915 | PR-17 | 1 BLEEDER SCREW 915 |
| 4505-G | 1 REPAIR KIT | 10992 | Ø60 | 11001 | Ø28 |
| GRASA-1 | 1 GREASE BAG | P-606701 | 2 CALIPER PISTON | P-283202 | 2 CALIPER PISTON ALUMI |
| P-604601 | 1 CALIPER PISTON | 6080-G | 1 REPAIR KIT | P-303202 | 2 CALIPER PISTON ALUMI |
| PR-17 | 1 BLEEDER SCREW 915 | GRASA-1 | 1 GREASE BAG | PR-17 | 2 BLEEDER SCREW 915 |
| PR-18 | 1 BLEEDER SCREW 915 | PR-17 | 1 BLEEDER SCREW 915 | 6217-G | 1 REPAIR KIT |
| PR-5 | 1 BLEEDER SCREW 915 | 10993 | Ø60 | GRASA-1 | 1 GREASE BAG |
| 10984 | Ø60 | 4968-G | 1 REPAIR KIT | 11002 | Ø28 |
| 4506-G | 1 REPAIR KIT | GRASA-1 | 1 GREASE BAG | P-283001 | 2 CALIPER PISTON ALUMI |
| GRASA-1 | 1 GREASE BAG | P-605701 | 1 CALIPER PISTON ALUMI | P-303001 | 2 CALIPER PISTON ALUMI |
| P-604602 | 1 CALIPER PISTON | PR-17 | 1 BLEEDER SCREW 915 | PR-17 | 2 BLEEDER SCREW 915 |
| PR-14 | 1 BLEEDER SCREW 915 | 10994 | Ø60 | 6217-G | 1 REPAIR KIT |
| 10985 | Ø60 | 6071-G | 1 REPAIR KIT | GRASA-1 | 1 GREASE BAG |
| 4497-G | 1 REPAIR KIT | GRASA-1 | 1 GREASE BAG | 11003 | Ø28 |
| GRASA-1 | 1 GREASE BAG | P-604701 | 1 CALIPER PISTON | P-283001 | 2 CALIPER PISTON ALUMI |
| P-604601 | 1 CALIPER PISTON | PR-5 | 1 BLEEDER SCREW 915 | P-323001 | 2 CALIPER PISTON ALUMI |
| PR-18 | 1 BLEEDER SCREW 915 | 10995 | Ø60 | P-363004 | 2 CALIPER PISTON ALUMI |
| 10986 | Ø60 | 6028-G | 1 REPAIR KIT | 6215-G | 1 REPAIR KIT |
| 4497-G | 1 REPAIR KIT | GRASA-1 | 1 GREASE BAG | GRASA-1 | 1 GREASE BAG |
| GRASA-1 | 1 GREASE BAG | P-606501 | 1 CALIPER PISTON | PR-17 | 1 BLEEDER SCREW 915 |
| P-604802 | 1 CALIPER PISTON | PR-17 | 1 BLEEDER SCREW 915 | 11004 | Ø28 |
| PR-5 | 1 BLEEDER SCREW 915 | 10996 | Ø66 | 4660-G | 1 REPAIR KIT |
| 10987 | Ø60 | 4295-G | 1 REPAIR KIT | GRASA-1 | 1 GREASE BAG |
| 4784-G | 1 REPAIR KIT | GRASA-1 | 1 GREASE BAG | P-304701 | 1 CALIPER PISTON |
| GRASA-1 | 1 GREASE BAG | P-665201 | 1 CALIPER PISTON PHENO | PR-5 | 1 BLEEDER SCREW 915 |
| P-604901 | 1 CALIPER PISTON | PR-16 | 1 BLEEDER SCREW 915 | 11005 | Ø30 |
| PR-17 | 1 BLEEDER SCREW 915 | PR-18 | 1 BLEEDER SCREW 915 | P-305101 | 3 CALIPER PISTON |
| 10988 | Ø60 | 10997 | Ø45 | PR-22 | 2 BLEEDER SCREW 915 |
| 4860-G | 1 REPAIR KIT | 4275-G | 1 REPAIR KIT | 3430-G | 1 REPAIR KIT |
| GRASA-1 | 1 GREASE BAG | GRASA-1 | 1 GREASE BAG | GRASA-1 | 1 GREASE BAG |
| P-605301 | 1 CALIPER PISTON | P-455001 | 1 CALIPER PISTON ALUMI | 11006 | Ø30 |
| PR-17 | 1 BLEEDER SCREW 915 | PR-7 | 1 BLEEDER SCREW 915 | 6097-G | 1 REPAIR KIT |
| 10989 | Ø60 | 10998 | Ø44 | GRASA-1 | 1 GREASE BAG |
| 4910-G | 1 REPAIR KIT | P-445501 | 2 CALIPER PISTON | P-304702 | 1 CALIPER PISTON |
| GRASA-1 | 1 GREASE BAG | 6151-G | 1 REPAIR KIT | PR-15 | 1 BLEEDER SCREW 915 |
| P-605101 | 1 CALIPER PISTON | GRASA-1 | 1 GREASE BAG | PR-7 | 1 BLEEDER SCREW 915 |
| PR-17 | 1 BLEEDER SCREW 915 | PR-18 | 1 BLEEDER SCREW 915 | | |



REPAIR KITS COMPOSITION



| | | | | | |
|--------------|------------------------|--------------|---------------------|--------------|-----------------------|
| 11007 | Ø30 | 11031 | Ø31 | 11093 | Ø35 |
| 4426-G | 1 REPAIR KIT | 6062-G | 1 REPAIR KIT | 6230-G | 1 REPAIR KIT |
| GRASA-1 | 1 GREASE BAG | GRASA-1 | 1 GREASE BAG | GRASA-1 | 1 GREASE BAG |
| P-304502 | 1 CALIPER PISTON | P-314701 | 1 CALIPER PISTON | P-354502 | 1 CALIPER PISTON |
| PR-18 | 1 BLEEDER SCREW 915 | PR-14 | 1 BLEEDER SCREW 915 | PR-5 | 1 BLEEDER SCREW 915 |
| 11008 | Ø30 | 11041 | Ø33 | 11103 | Ø35 |
| 4625-G | 1 REPAIR KIT | 3422-G | 1 REPAIR KIT | 4624-G | 1 REPAIR KIT |
| GRASA-1 | 1 GREASE BAG | GRASA-1 | 1 GREASE BAG | GRASA-1 | 1 GREASE BAG |
| P-304503 | 1 CALIPER PISTON | P-334801 | 1 CALIPER PISTON | K-354501 | 1 CALIPER PISTON WITH |
| PR-18 | 1 BLEEDER SCREW 915 | PR-5 | 1 BLEEDER SCREW 915 | PR-5 | 1 BLEEDER SCREW 915 |
| 11009 | Ø30 | 11046 | Ø34 | 11125 | Ø38 |
| 4429-G | 1 REPAIR KIT | 3549-G | 1 REPAIR KIT | 4448-G | 1 REPAIR KIT |
| GRASA-1 | 1 GREASE BAG | GRASA-1 | 1 GREASE BAG | GRASA-1 | 1 GREASE BAG |
| P-304503 | 1 CALIPER PISTON | P-344401 | 1 CALIPER PISTON | P-385105 | 1 CALIPER PISTON |
| PR-5 | 1 BLEEDER SCREW 915 | PR-13 | 1 BLEEDER SCREW 915 | P-435101 | 1 CALIPER PISTON |
| 11010 | Ø30 | 11047 | Ø34 | PR-13 | 1 BLEEDER SCREW 915 |
| P-303202 | 4 CALIPER PISTON ALUMI | 4874-G | 1 REPAIR KIT | PR-8 | 1 BLEEDER SCREW 915 |
| PR-17 | 2 BLEEDER SCREW 915 | GRASA-1 | 1 GREASE BAG | 11127 | Ø38 |
| 6100-G | 1 REPAIR KIT | P-344201 | 1 CALIPER PISTON | 4912-G | 1 REPAIR KIT |
| GRASA-1 | 1 GREASE BAG | PR-14 | 1 BLEEDER SCREW 915 | GRASA-1 | 1 GREASE BAG |
| 11011 | Ø30 | 11051 | Ø34 | P-384102 | 1 CALIPER PISTON |
| 6027-G | 1 REPAIR KIT | 3539-G | 1 REPAIR KIT | PR-6 | 1 BLEEDER SCREW 915 |
| GRASA-1 | 1 GREASE BAG | GRASA-1 | 1 GREASE BAG | 11128 | Ø38 |
| P-304001 | 1 CALIPER PISTON | P-344801 | 1 CALIPER PISTON | 4307-G | 1 REPAIR KIT |
| PR-5 | 1 BLEEDER SCREW 915 | PR-17 | 1 BLEEDER SCREW 915 | GRASA-1 | 1 GREASE BAG |
| 11012 | Ø30 | PR-18 | 1 BLEEDER SCREW 915 | P-384602 | 1 CALIPER PISTON |
| 4428-G | 1 REPAIR KIT | 11056 | Ø34 | PR-20 | 1 BLEEDER SCREW 915 |
| GRASA-1 | 1 GREASE BAG | 6224-G | 1 REPAIR KIT | PR-5 | 1 BLEEDER SCREW 915 |
| P-304002 | 1 CALIPER PISTON | GRASA-1 | 1 GREASE BAG | 11129 | Ø38 |
| PR-13 | 1 BLEEDER SCREW 915 | P-344602 | 1 CALIPER PISTON | 4917-G | 1 REPAIR KIT |
| 11013 | Ø30 | PR-17 | 1 BLEEDER SCREW 915 | GRASA-1 | 1 GREASE BAG |
| 3732-G | 1 REPAIR KIT | 11067 | Ø34 | P-384602 | 1 CALIPER PISTON |
| GRASA-1 | 1 GREASE BAG | 6229-G | 1 REPAIR KIT | PR-5 | 1 BLEEDER SCREW 915 |
| P-304503 | 1 CALIPER PISTON | GRASA-1 | 1 GREASE BAG | 11130 | Ø38 |
| PR-18 | 1 BLEEDER SCREW 915 | P-344706 | 1 CALIPER PISTON | 4444-G | 1 REPAIR KIT |
| PR-5 | 1 BLEEDER SCREW 915 | 11083 | Ø35 | GRASA-1 | 1 GREASE BAG |
| 11014 | Ø30 | 4771-G | 1 REPAIR KIT | P-384602 | 1 CALIPER PISTON |
| 6157-G | 1 REPAIR KIT | GRASA-1 | 1 GREASE BAG | PR-2 | 1 BLEEDER SCREW 915 |
| GRASA-1 | 1 GREASE BAG | P-354901 | 1 CALIPER PISTON | PR-5 | 1 BLEEDER SCREW 915 |
| P-304602 | 1 CALIPER PISTON | PR-18 | 1 BLEEDER SCREW 915 | 11136 | Ø38 |
| PR-17 | 1 BLEEDER SCREW 915 | 11089 | Ø35 | 4544-G | 1 REPAIR KIT |
| 11015 | Ø30 | 3576-G | 1 REPAIR KIT | GRASA-1 | 1 GREASE BAG |
| 6218-G | 1 REPAIR KIT | GP-24 | 1 SNAP RING | P-384501 | 1 CALIPER PISTON |
| GRASA-1 | 1 GREASE BAG | GRASA-1 | 1 GREASE BAG | PR-5 | 1 BLEEDER SCREW 915 |
| P-303801 | 1 CALIPER PISTON | P-354503 | 1 CALIPER PISTON | | |
| PR-5 | 1 BLEEDER SCREW 915 | PR-5 | 1 BLEEDER SCREW 915 | | |



REPAIR KITS COMPOSITION



| | | | | | |
|--------------------------------|------------|---------------------------------|------------|---------------------------------|------------|
| 11137 | Ø38 | 11185 | Ø40 | 11252 | Ø43 |
| 4446-G 1 REPAIR KIT | | 4510-G 1 REPAIR KIT | | P-434901 2 CALIPER PISTON | |
| GRASA-1 1 GREASE BAG | | GRASA-1 1 GREASE BAG | | 6260-G 1 REPAIR KIT | |
| P-384501 1 CALIPER PISTON | | P-405201 1 CALIPER PISTON ALUMI | | GRASA-1 1 GREASE BAG | |
| PR-5 1 BLEEDER SCREW 915 | | PR-18 1 BLEEDER SCREW 915 | | PR-14 1 BLEEDER SCREW 915 | |
| 11138 | Ø38 | 11197 | Ø40 | 11254 | Ø43 |
| 6166-G 1 REPAIR KIT | | 6247-G 1 REPAIR KIT | | P-434901 2 CALIPER PISTON | |
| GRASA-1 1 GREASE BAG | | GRASA-1 1 GREASE BAG | | 6262-G 1 REPAIR KIT | |
| P-384401 1 CALIPER PISTON | | P-404803 1 CALIPER PISTON | | GRASA-1 1 GREASE BAG | |
| PR-5 1 BLEEDER SCREW 915 | | PR-17 1 BLEEDER SCREW 915 | | PR-17 1 BLEEDER SCREW 915 | |
| 11141 | Ø38 | 11207 | Ø41 | 11256 | Ø43 |
| 6236-G 1 REPAIR KIT | | 6085-G 1 REPAIR KIT | | P-433102 4 CALIPER PISTON | |
| GRASA-1 1 GREASE BAG | | GRASA-1 1 GREASE BAG | | 3838-G 1 REPAIR KIT | |
| P-384601 1 CALIPER PISTON | | P-415201 1 CALIPER PISTON | | GRASA-1 1 GREASE BAG | |
| PR-18 1 BLEEDER SCREW 915 | | PR-17 1 BLEEDER SCREW 915 | | PR-18 1 BLEEDER SCREW 915 | |
| 11143 | Ø38 | 11207 | Ø41 | 11258 | Ø43 |
| 4881-G 1 REPAIR KIT | | RW-3046 1 FRICTION BUSHING | | P-434901 2 CALIPER PISTON | |
| GRASA-1 1 GREASE BAG | | 11219 | Ø42 | 6181-G 1 REPAIR KIT | |
| P-384603 1 CALIPER PISTON | | 4623-G 1 REPAIR KIT | | GRASA-1 1 GREASE BAG | |
| PR-13 1 BLEEDER SCREW 915 | | GRASA-1 1 GREASE BAG | | PR-17 1 BLEEDER SCREW 915 | |
| PR-8 1 BLEEDER SCREW 915 | | P-424901 1 CALIPER PISTON | | 11259 | Ø43 |
| 11145 | Ø38 | PR-18 1 BLEEDER SCREW 915 | | 6187-G 1 REPAIR KIT | |
| 6239-G 1 REPAIR KIT | | 11221 | Ø42 | GRASA-1 1 GREASE BAG | |
| GRASA-1 1 GREASE BAG | | 6053-G 1 REPAIR KIT | | P-434505 1 CALIPER PISTON | |
| P-384802 1 CALIPER PISTON | | GRASA-1 1 GREASE BAG | | PR-5 1 BLEEDER SCREW 915 | |
| P-434901 1 CALIPER PISTON | | P-414501 1 CALIPER PISTON | | 11272 | Ø43 |
| PR-18 1 BLEEDER SCREW 915 | | PR-5 1 BLEEDER SCREW 915 | | P-435501 2 CALIPER PISTON | |
| 11156 | Ø38 | 11224 | Ø42 | 6270-G 1 REPAIR KIT | |
| 6235-G 1 REPAIR KIT | | 6254-G 1 REPAIR KIT | | GRASA-1 1 GREASE BAG | |
| GRASA-1 1 GREASE BAG | | GRASA-1 1 GREASE BAG | | PR-18 1 BLEEDER SCREW 915 | |
| P-384802 1 CALIPER PISTON | | P-414501 1 CALIPER PISTON | | 11275 | Ø44 |
| PR-17 1 BLEEDER SCREW 915 | | 11229 | Ø42 | 3163-G 1 REPAIR KIT | |
| 11164 | Ø38 | P-423003 2 CALIPER PISTON | | GRASA-1 1 GREASE BAG | |
| 3540-G 1 REPAIR KIT | | 4646-G 1 REPAIR KIT | | P-444601 1 CALIPER PISTON | |
| GRASA-1 1 GREASE BAG | | GRASA-1 1 GREASE BAG | | PR-5 1 BLEEDER SCREW 915 | |
| K-384601 1 CALIPER PISTON WITH | | PR-7 1 BLEEDER SCREW 915 | | 11277 | Ø44 |
| PR-17 1 BLEEDER SCREW 915 | | 11243 | Ø43 | P-443202 2 CALIPER PISTON ALUMI | |
| 11170 | Ø38 | 6259-G 1 REPAIR KIT | | PR-22 2 BLEEDER SCREW 915 | |
| 4770-G 1 REPAIR KIT | | GRASA-1 1 GREASE BAG | | 6146-G 1 REPAIR KIT | |
| GRASA-1 1 GREASE BAG | | P-424801 1 CALIPER PISTON | | GRASA-1 1 GREASE BAG | |
| K-385101 1 CALIPER PISTON WITH | | PR-17 1 BLEEDER SCREW 915 | | 11278 | Ø44 |
| PR-17 1 BLEEDER SCREW 915 | | 11248 | Ø43 | P-443202 4 CALIPER PISTON ALUMI | |
| PR-18 1 BLEEDER SCREW 915 | | P-433101 4 CALIPER PISTON | | 4992-G 1 REPAIR KIT | |
| PR-7 1 BLEEDER SCREW 915 | | 3838-G 1 REPAIR KIT | | GRASA-1 1 GREASE BAG | |
| | | GRASA-1 1 GREASE BAG | | PR-7 1 BLEEDER SCREW 915 | |
| | | PR-18 1 BLEEDER SCREW 915 | | | |



REPAIR KITS COMPOSITION



| | | | | | |
|---------------------------|------------|---------------------------|------------|---------------------------|------------|
| 11296 | Ø45 | 11339 | Ø48 | 11354 | Ø51 |
| P-455304 2 CALIPER PISTON | | 3859-G 1 REPAIR KIT | | 4280-G 1 REPAIR KIT | |
| 4762-G 1 REPAIR KIT | | GRASA-1 1 GREASE BAG | | GRASA-1 1 GREASE BAG | |
| GRASA-1 1 GREASE BAG | | P-484503 1 CALIPER PISTON | | P-514403 1 CALIPER PISTON | |
| PR-14 1 BLEEDER SCREW 915 | | PR-5 1 BLEEDER SCREW 915 | | PR-5 1 BLEEDER SCREW 915 | |
| 11297 | Ø45 | 11340 | Ø48 | 11355 | Ø51 |
| 6105-G 1 REPAIR KIT | | 6284-G 1 REPAIR KIT | | 3828-G 1 REPAIR KIT | |
| GRASA-1 1 GREASE BAG | | GRASA-1 1 GREASE BAG | | GRASA-1 1 GREASE BAG | |
| P-455304 1 CALIPER PISTON | | P-484503 1 CALIPER PISTON | | P-514403 1 CALIPER PISTON | |
| PR-18 1 BLEEDER SCREW 915 | | PR-5 1 BLEEDER SCREW 915 | | PR-5 1 BLEEDER SCREW 915 | |
| 11301 | Ø46 | 11341 | Ø48 | 11356 | Ø51 |
| PR-17 2 BLEEDER SCREW 915 | | 4716-G 1 REPAIR KIT | | 6295-G 1 REPAIR KIT | |
| 4666-G 1 REPAIR KIT | | GRASA-1 1 GREASE BAG | | GRASA-1 1 GREASE BAG | |
| GRASA-1 1 GREASE BAG | | P-484503 1 CALIPER PISTON | | P-514506 1 CALIPER PISTON | |
| P-465601 1 CALIPER PISTON | | PR-5 1 BLEEDER SCREW 915 | | PR-18 1 BLEEDER SCREW 915 | |
| P-525602 1 CALIPER PISTON | | | | PR-5 1 BLEEDER SCREW 915 | |
| 11302 | Ø46 | 11343 | Ø48 | 11357 | Ø51 |
| 4666-G 1 REPAIR KIT | | 3267-G 1 REPAIR KIT | | 4747-G 1 REPAIR KIT | |
| GRASA-1 1 GREASE BAG | | GRASA-1 1 GREASE BAG | | GRASA-1 1 GREASE BAG | |
| P-465801 1 CALIPER PISTON | | P-484806 1 CALIPER PISTON | | P-514802 1 CALIPER PISTON | |
| P-525801 1 CALIPER PISTON | | PR-2 1 BLEEDER SCREW 915 | | PR-18 1 BLEEDER SCREW 915 | |
| PR-17 1 BLEEDER SCREW 915 | | PR-5 1 BLEEDER SCREW 915 | | | |
| 11306 | Ø46 | 11344 | Ø48 | 11358 | Ø51 |
| 4665-G 1 REPAIR KIT | | 3359-G 1 REPAIR KIT | | 4549-G 1 REPAIR KIT | |
| GRASA-1 1 GREASE BAG | | GRASA-1 1 GREASE BAG | | GRASA-1 1 GREASE BAG | |
| P-465901 1 CALIPER PISTON | | P-484806 1 CALIPER PISTON | | P-514504 1 CALIPER PISTON | |
| PR-17 1 BLEEDER SCREW 915 | | PR-3 1 BLEEDER SCREW 915 | | PR-18 1 BLEEDER SCREW 915 | |
| 11308 | Ø46 | 11348 | Ø51 | 11359 | Ø51 |
| P-465901 2 CALIPER PISTON | | 4479-G 1 REPAIR KIT | | 6297-G 1 REPAIR KIT | |
| 4972-G 1 REPAIR KIT | | GRASA-1 1 GREASE BAG | | GRASA-1 1 GREASE BAG | |
| GRASA-1 1 GREASE BAG | | P-514601 1 CALIPER PISTON | | P-514402 1 CALIPER PISTON | |
| PR-17 1 BLEEDER SCREW 915 | | PR-14 1 BLEEDER SCREW 915 | | PR-18 1 BLEEDER SCREW 915 | |
| 11315 | Ø48 | 11351 | Ø51 | 11360 | Ø51 |
| 6289-G 1 REPAIR KIT | | P-514601 2 CALIPER PISTON | | 6298-G 1 REPAIR KIT | |
| GRASA-1 1 GREASE BAG | | 6147-G 1 REPAIR KIT | | GRASA-1 1 GREASE BAG | |
| P-485001 1 CALIPER PISTON | | GRASA-1 1 GREASE BAG | | P-514601 1 CALIPER PISTON | |
| PR-22 1 BLEEDER SCREW 915 | | PR-17 1 BLEEDER SCREW 915 | | PR-17 1 BLEEDER SCREW 915 | |
| 11326 | Ø48 | 11352 | Ø51 | 11361 | Ø51 |
| 3490-G 1 REPAIR KIT | | 4883-G 1 REPAIR KIT | | 6296-G 1 REPAIR KIT | |
| GRASA-1 1 GREASE BAG | | GRASA-1 1 GREASE BAG | | GRASA-1 1 GREASE BAG | |
| P-484806 1 CALIPER PISTON | | P-514401 1 CALIPER PISTON | | P-515301 1 CALIPER PISTON | |
| PR-17 1 BLEEDER SCREW 915 | | PR-14 1 BLEEDER SCREW 915 | | PR-18 1 BLEEDER SCREW 915 | |
| PR-5 1 BLEEDER SCREW 915 | | | | | |
| 11333 | Ø48 | 11353 | Ø51 | 11362 | Ø52 |
| P-486401 2 CALIPER PISTON | | 3840-G 1 REPAIR KIT | | P-526001 2 CALIPER PISTON | |
| 6287-G 1 REPAIR KIT | | GRASA-1 1 GREASE BAG | | 4947-G 1 REPAIR KIT | |
| GRASA-1 1 GREASE BAG | | P-514301 1 CALIPER PISTON | | GRASA-1 1 GREASE BAG | |
| PR-17 1 BLEEDER SCREW 915 | | PR-13 1 BLEEDER SCREW 915 | | PR-17 1 BLEEDER SCREW 915 | |



REPAIR KITS COMPOSITION



| | | | | | |
|---------------------------------|------------|---------------------------------|------------|---------------------------|------------|
| 11363 | Ø52 | 11373 | Ø54 | 11382 | Ø54 |
| 4263-G 1 REPAIR KIT | | 3660-G 1 REPAIR KIT | | 3595-G 1 REPAIR KIT | |
| GRASA-1 1 GREASE BAG | | GRASA-1 1 GREASE BAG | | GRASA-1 1 GREASE BAG | |
| P-524401 1 CALIPER PISTON | | P-545105 1 CALIPER PISTON | | P-544201 1 CALIPER PISTON | |
| PR-7 1 BLEEDER SCREW 915 | | PR-5 1 BLEEDER SCREW 915 | | PR-18 1 BLEEDER SCREW 915 | |
| 11365 | Ø54 | 11374 | Ø54 | 11383 | Ø54 |
| 3365-G 1 REPAIR KIT | | 6303-G 1 REPAIR KIT | | 3073-G 1 REPAIR KIT | |
| GRASA-1 1 GREASE BAG | | GRASA-1 1 GREASE BAG | | GRASA-1 1 GREASE BAG | |
| P-545402 1 CALIPER PISTON | | P-544904 1 CALIPER PISTON | | P-545403 1 CALIPER PISTON | |
| PR-2 1 BLEEDER SCREW 915 | | PR-17 1 BLEEDER SCREW 915 | | PR-2 1 BLEEDER SCREW 915 | |
| 11366 | Ø54 | 11375 | Ø54 | 11384 | Ø54 |
| 6305-G 1 REPAIR KIT | | 6306-G 1 REPAIR KIT | | 3829-G 1 REPAIR KIT | |
| GRASA-1 1 GREASE BAG | | GRASA-1 1 GREASE BAG | | GRASA-1 1 GREASE BAG | |
| P-545201 1 CALIPER PISTON | | P-544904 1 CALIPER PISTON | | P-542904 1 CALIPER PISTON | |
| PR-22 1 BLEEDER SCREW 915 | | PR-17 1 BLEEDER SCREW 915 | | P-543302 1 CALIPER PISTON | |
| 11367 | Ø54 | 11376 | Ø54 | 11385 | Ø54 |
| P-543201 2 CALIPER PISTON | | 4487-G 1 REPAIR KIT | | 3073-G 1 REPAIR KIT | |
| PR-4 2 BLEEDER SCREW 915 | | GRASA-1 1 GREASE BAG | | GRASA-1 1 GREASE BAG | |
| 4337-G 1 REPAIR KIT | | P-544504 1 CALIPER PISTON | | P-544803 1 CALIPER PISTON | |
| GRASA-1 1 GREASE BAG | | PR-18 1 BLEEDER SCREW 915 | | PR-7 1 BLEEDER SCREW 915 | |
| 11368 | Ø54 | 11377 | Ø54 | 11386 | Ø54 |
| 3365-G 1 REPAIR KIT | | 6307-G 1 REPAIR KIT | | 3073-G 1 REPAIR KIT | |
| GRASA-1 1 GREASE BAG | | GRASA-1 1 GREASE BAG | | GRASA-1 1 GREASE BAG | |
| K-545402 1 CALIPER PISTON WITH | | P-545305 1 CALIPER PISTON ALUMI | | P-545302 1 CALIPER PISTON | |
| PR-2 1 BLEEDER SCREW 915 | | PR-17 1 BLEEDER SCREW 915 | | PR-7 1 BLEEDER SCREW 915 | |
| 11369 | Ø54 | 11378 | Ø54 | 11387 | Ø54 |
| 6308-G 1 REPAIR KIT | | 4318-G 1 REPAIR KIT | | 3220-G 1 REPAIR KIT | |
| GRASA-1 1 GREASE BAG | | GRASA-1 1 GREASE BAG | | GRASA-1 1 GREASE BAG | |
| P-544904 1 CALIPER PISTON | | P-545003 1 CALIPER PISTON | | P-545401 1 CALIPER PISTON | |
| PR-18 1 BLEEDER SCREW 915 | | PR-7 1 BLEEDER SCREW 915 | | PR-18 1 BLEEDER SCREW 915 | |
| 11370 | Ø54 | 11379 | Ø54 | 11388 | Ø54 |
| 4318-G 1 REPAIR KIT | | 3548-G 1 REPAIR KIT | | 4725-G 1 REPAIR KIT | |
| GRASA-1 1 GREASE BAG | | GRASA-1 1 GREASE BAG | | GRASA-1 1 GREASE BAG | |
| P-545601 1 CALIPER PISTON ALUMI | | P-544601 1 CALIPER PISTON | | P-544603 1 CALIPER PISTON | |
| PR-18 1 BLEEDER SCREW 915 | | PR-13 1 BLEEDER SCREW 915 | | PR-6 1 BLEEDER SCREW 915 | |
| 11371 | Ø54 | 11380 | Ø54 | 11389 | Ø54 |
| 3940-G 1 REPAIR KIT | | 6112-G 1 REPAIR KIT | | 4827-G 1 REPAIR KIT | |
| GRASA-1 1 GREASE BAG | | GRASA-1 1 GREASE BAG | | GRASA-1 1 GREASE BAG | |
| P-544402 1 CALIPER PISTON | | P-544201 1 CALIPER PISTON | | P-544603 1 CALIPER PISTON | |
| PR-18 1 BLEEDER SCREW 915 | | PR-18 1 BLEEDER SCREW 915 | | PR-14 1 BLEEDER SCREW 915 | |
| 11372 | Ø54 | 11381 | Ø54 | 11390 | Ø54 |
| 6054-G 1 REPAIR KIT | | 3901-G 1 REPAIR KIT | | 6056-G 1 REPAIR KIT | |
| GRASA-1 1 GREASE BAG | | GRASA-1 1 GREASE BAG | | GRASA-1 1 GREASE BAG | |
| P-545204 1 CALIPER PISTON PHENO | | P-544201 1 CALIPER PISTON | | P-544703 1 CALIPER PISTON | |
| PR-18 1 BLEEDER SCREW 915 | | PR-18 1 BLEEDER SCREW 915 | | PR-14 1 BLEEDER SCREW 915 | |



REPAIR KITS COMPOSITION



| | | | | | |
|---------------------------|------------|---------------------------------|------------|---------------------------|------------|
| 11391 | Ø54 | 11400 | Ø54 | 11409 | Ø57 |
| P-542801 2 CALIPER PISTON | | 3824-G 1 REPAIR KIT | | 4768-G 1 REPAIR KIT | |
| 4483-G 1 REPAIR KIT | | GRASA-1 1 GREASE BAG | | GRASA-1 1 GREASE BAG | |
| GRASA-1 1 GREASE BAG | | P-544502 1 CALIPER PISTON | | P-574902 1 CALIPER PISTON | |
| PR-16 1 BLEEDER SCREW 915 | | PR-5 1 BLEEDER SCREW 915 | | PR-7 1 BLEEDER SCREW 915 | |
| 11392 | Ø54 | 11401 | Ø54 | 11410 | Ø57 |
| 6163-G 1 REPAIR KIT | | 6302-G 1 REPAIR KIT | | 4733-G 1 REPAIR KIT | |
| GRASA-1 1 GREASE BAG | | GRASA-1 1 GREASE BAG | | GRASA-1 1 GREASE BAG | |
| P-544805 1 CALIPER PISTON | | P-544502 1 CALIPER PISTON | | P-574603 1 CALIPER PISTON | |
| PR-5 1 BLEEDER SCREW 915 | | PR-5 1 BLEEDER SCREW 915 | | PR-6 1 BLEEDER SCREW 915 | |
| 11393 | Ø54 | 11402 | Ø54 | 11411 | Ø57 |
| 3440-G 1 REPAIR KIT | | 6303-G 1 REPAIR KIT | | 4916-G 1 REPAIR KIT | |
| GRASA-1 1 GREASE BAG | | GRASA-1 1 GREASE BAG | | GRASA-1 1 GREASE BAG | |
| P-544501 1 CALIPER PISTON | | P-544901 1 CALIPER PISTON | | P-574603 1 CALIPER PISTON | |
| PR-3 1 BLEEDER SCREW 915 | | PR-17 1 BLEEDER SCREW 915 | | PR-6 1 BLEEDER SCREW 915 | |
| 11394 | Ø54 | 11403 | Ø54 | 11412 | Ø57 |
| 3824-G 1 REPAIR KIT | | 6304-G 1 REPAIR KIT | | 6016-G 1 REPAIR KIT | |
| GRASA-1 1 GREASE BAG | | GRASA-1 1 GREASE BAG | | GRASA-1 1 GREASE BAG | |
| P-544501 1 CALIPER PISTON | | P-545204 1 CALIPER PISTON PHENO | | P-574603 1 CALIPER PISTON | |
| PR-5 1 BLEEDER SCREW 915 | | | | PR-6 1 BLEEDER SCREW 915 | |
| 11395 | Ø54 | 11404 | Ø54 | 11413 | Ø57 |
| 3824-G 1 REPAIR KIT | | 6133-G 1 REPAIR KIT | | P-573101 2 CALIPER PISTON | |
| GRASA-1 1 GREASE BAG | | GRASA-1 1 GREASE BAG | | RW-3018 2 HEAT SHIELD | |
| P-544302 1 CALIPER PISTON | | P-544703 1 CALIPER PISTON | | 3448-G 1 REPAIR KIT | |
| PR-18 1 BLEEDER SCREW 915 | | PR-14 1 BLEEDER SCREW 915 | | GRASA-1 1 GREASE BAG | |
| 11396 | Ø54 | 11405 | Ø54 | PR-4 1 BLEEDER SCREW 915 | |
| 4486-G 1 REPAIR KIT | | 4503-G 1 REPAIR KIT | | 11414 | Ø57 |
| GRASA-1 1 GREASE BAG | | GRASA-1 1 GREASE BAG | | 4731-G 1 REPAIR KIT | |
| P-544302 1 CALIPER PISTON | | P-544804 1 CALIPER PISTON | | GRASA-1 1 GREASE BAG | |
| PR-5 1 BLEEDER SCREW 915 | | | | P-574801 1 CALIPER PISTON | |
| 11397 | Ø54 | 11406 | Ø54 | PR-18 1 BLEEDER SCREW 915 | |
| P-542905 2 CALIPER PISTON | | 3577-G 1 REPAIR KIT | | 11415 | Ø57 |
| PR-4 2 BLEEDER SCREW 915 | | GRASA-1 1 GREASE BAG | | 4730-G 1 REPAIR KIT | |
| 3041-G 1 REPAIR KIT | | P-544704 1 CALIPER PISTON | | GRASA-1 1 GREASE BAG | |
| GRASA-1 1 GREASE BAG | | PR-18 1 BLEEDER SCREW 915 | | P-574602 1 CALIPER PISTON | |
| 11398 | Ø54 | 11407 | Ø57 | PR-14 1 BLEEDER SCREW 915 | |
| 4579-G 1 REPAIR KIT | | 4492-G 1 REPAIR KIT | | PR-18 1 BLEEDER SCREW 915 | |
| GRASA-1 1 GREASE BAG | | GRASA-1 1 GREASE BAG | | 11416 | Ø57 |
| P-544402 1 CALIPER PISTON | | P-575103 1 CALIPER PISTON | | 4490-G 1 REPAIR KIT | |
| PR-8 1 BLEEDER SCREW 915 | | PR-18 1 BLEEDER SCREW 915 | | GRASA-1 1 GREASE BAG | |
| 11399 | Ø54 | 11408 | Ø57 | P-574602 1 CALIPER PISTON | |
| 3073-G 1 REPAIR KIT | | 6038-G 1 REPAIR KIT | | PR-18 1 BLEEDER SCREW 915 | |
| GRASA-1 1 GREASE BAG | | GRASA-1 1 GREASE BAG | | PR-5 1 BLEEDER SCREW 915 | |
| P-545303 1 CALIPER PISTON | | P-575001 1 CALIPER PISTON | | 11417 | Ø57 |
| PR-5 1 BLEEDER SCREW 915 | | PR-22 1 BLEEDER SCREW 915 | | 4969-G 1 REPAIR KIT | |
| | | | | GRASA-1 1 GREASE BAG | |
| | | | | P-574602 1 CALIPER PISTON | |
| | | | | PR-14 1 BLEEDER SCREW 915 | |



REPAIR KITS COMPOSITION



| | | | | | |
|--------------|---------------------|--------------|---------------------|--------------|------------------------|
| 11418 | Ø57 | 11427 | Ø57 | 11436 | Ø57 |
| 4638-G | 1 REPAIR KIT | 3391-G | 1 REPAIR KIT | 4829-G | 1 REPAIR KIT |
| GRASA-1 | 1 GREASE BAG | GRASA-1 | 1 GREASE BAG | GRASA-1 | 1 GREASE BAG |
| P-574602 | 1 CALIPER PISTON | P-575701 | 1 CALIPER PISTON | P-574903 | 1 CALIPER PISTON |
| PR-14 | 1 BLEEDER SCREW 915 | PR-7 | 1 BLEEDER SCREW 915 | PR-18 | 1 BLEEDER SCREW 915 |
| 11419 | Ø57 | 11428 | Ø57 | 11437 | Ø57 |
| 3858-G | 1 REPAIR KIT | 6315-G | 1 REPAIR KIT | 3366-G | 1 REPAIR KIT |
| GRASA-1 | 1 GREASE BAG | GRASA-1 | 1 GREASE BAG | GRASA-1 | 1 GREASE BAG |
| P-574602 | 1 CALIPER PISTON | P-575103 | 1 CALIPER PISTON | P-575104 | 1 CALIPER PISTON |
| PR-18 | 1 BLEEDER SCREW 915 | PR-17 | 1 BLEEDER SCREW 915 | PR-2 | 1 BLEEDER SCREW 915 |
| 11420 | Ø57 | 11429 | Ø57 | 11438 | Ø57 |
| 4852-G | 1 REPAIR KIT | 6316-G | 1 REPAIR KIT | 6317-G | 1 REPAIR KIT |
| GRASA-1 | 1 GREASE BAG | GRASA-1 | 1 GREASE BAG | GRASA-1 | 1 GREASE BAG |
| P-574604 | 1 CALIPER PISTON | P-575103 | 1 CALIPER PISTON | P-574802 | 1 CALIPER PISTON |
| PR-5 | 1 BLEEDER SCREW 915 | 11430 | Ø57 | PR-5 | 1 BLEEDER SCREW 915 |
| 11421 | Ø57 | 3391-G | 1 REPAIR KIT | 11439 | Ø57 |
| 4915-G | 1 REPAIR KIT | GRASA-1 | 1 GREASE BAG | 6063-G | 1 REPAIR KIT |
| GRASA-1 | 1 GREASE BAG | P-575403 | 1 CALIPER PISTON | GRASA-1 | 1 GREASE BAG |
| P-575506 | 1 CALIPER PISTON | PR-5 | 1 BLEEDER SCREW 915 | P-575305 | 1 CALIPER PISTON PHENO |
| PR-18 | 1 BLEEDER SCREW 915 | 11431 | Ø57 | PR-17 | 1 BLEEDER SCREW 915 |
| 11422 | Ø57 | 6318-G | 1 REPAIR KIT | 11440 | Ø57 |
| 4612-G | 1 REPAIR KIT | GRASA-1 | 1 GREASE BAG | 6314-G | 1 REPAIR KIT |
| GRASA-1 | 1 GREASE BAG | P-575103 | 1 CALIPER PISTON | GRASA-1 | 1 GREASE BAG |
| P-575506 | 1 CALIPER PISTON | PR-18 | 1 BLEEDER SCREW 915 | P-574802 | 1 CALIPER PISTON |
| PR-5 | 1 BLEEDER SCREW 915 | 11432 | Ø57 | 11441 | Ø57 |
| 11423 | Ø57 | 4489-G | 1 REPAIR KIT | 3821-G | 1 REPAIR KIT |
| 4768-G | 1 REPAIR KIT | GRASA-1 | 1 GREASE BAG | GRASA-1 | 1 GREASE BAG |
| GRASA-1 | 1 GREASE BAG | P-574502 | 1 CALIPER PISTON | P-574803 | 1 CALIPER PISTON |
| P-575505 | 1 CALIPER PISTON | PR-5 | 1 BLEEDER SCREW 915 | PR-18 | 1 BLEEDER SCREW 915 |
| PR-17 | 1 BLEEDER SCREW 915 | 11433 | Ø57 | 11442 | Ø57 |
| 11424 | Ø57 | 6311-G | 1 REPAIR KIT | 6310-G | 1 REPAIR KIT |
| 6312-G | 1 REPAIR KIT | GRASA-1 | 1 GREASE BAG | GRASA-1 | 1 GREASE BAG |
| GRASA-1 | 1 GREASE BAG | P-574401 | 1 CALIPER PISTON | P-574803 | 1 CALIPER PISTON |
| P-575204 | 1 CALIPER PISTON | PR-5 | 1 BLEEDER SCREW 915 | PR-5 | 1 BLEEDER SCREW 915 |
| PR-6 | 1 BLEEDER SCREW 915 | 11434 | Ø57 | 11443 | Ø57 |
| 11425 | Ø57 | 3441-G | 1 REPAIR KIT | 3366-G | 1 REPAIR KIT |
| 4829-G | 1 REPAIR KIT | GRASA-1 | 1 GREASE BAG | GRASA-1 | 1 GREASE BAG |
| GRASA-1 | 1 GREASE BAG | P-574503 | 1 CALIPER PISTON | K-575104 | 1 CALIPER PISTON WITH |
| P-575103 | 1 CALIPER PISTON | PR-3 | 1 BLEEDER SCREW 915 | PR-2 | 1 BLEEDER SCREW 915 |
| PR-17 | 1 BLEEDER SCREW 915 | 11435 | Ø57 | 11444 | Ø57 |
| 11426 | Ø57 | 3730-G | 1 REPAIR KIT | 6313-G | 1 REPAIR KIT |
| 4606-G | 1 REPAIR KIT | GRASA-1 | 1 GREASE BAG | GRASA-1 | 1 GREASE BAG |
| GRASA-1 | 1 GREASE BAG | P-574503 | 1 CALIPER PISTON | P-575306 | 1 CALIPER PISTON ALUMI |
| P-574501 | 1 CALIPER PISTON | PR-5 | 1 BLEEDER SCREW 915 | PR-17 | 1 BLEEDER SCREW 915 |
| PR-5 | 1 BLEEDER SCREW 915 | | | | |



REPAIR KITS COMPOSITION



| | | | | | |
|--------------|------------------------|--------------|---------------------|--------------|------------------------|
| 11445 | Ø57 | 11454 | Ø60 | 11462 | Ø60 |
| P-573102 | 2 CALIPER PISTON ALUMI | 6153-G | 1 REPAIR KIT | 6178-G | 1 REPAIR KIT |
| 6319-G | 1 REPAIR KIT | GRASA-1 | 1 GREASE BAG | GRASA-1 | 1 GREASE BAG |
| GRASA-1 | 1 GREASE BAG | P-605103 | 1 CALIPER PISTON | P-605301 | 1 CALIPER PISTON |
| PR-7 | 1 BLEEDER SCREW 915 | PR-10 | 1 BLEEDER SCREW 915 | PR-17 | 1 BLEEDER SCREW 915 |
| 11446 | Ø57 | 11455 | Ø60 | 11463 | Ø60 |
| P-572901 | 2 CALIPER PISTON | 6320-G | 1 REPAIR KIT | 6170-G | 1 REPAIR KIT |
| 3446-G | 1 REPAIR KIT | GRASA-1 | 1 GREASE BAG | GRASA-1 | 1 GREASE BAG |
| GRASA-1 | 1 GREASE BAG | P-604902 | 1 CALIPER PISTON | P-605103 | 1 CALIPER PISTON |
| PR-15 | 1 BLEEDER SCREW 915 | PR-5 | 1 BLEEDER SCREW 915 | PR-17 | 1 BLEEDER SCREW 915 |
| 11447 | Ø58 | 11456 | Ø60 | 11464 | Ø60 |
| 4525-G | 1 REPAIR KIT | P-606502 | 2 CALIPER PISTON | 6333-G | 1 REPAIR KIT |
| GRASA-1 | 1 GREASE BAG | 6123-G | 1 REPAIR KIT | GRASA-1 | 1 GREASE BAG |
| P-586301 | 1 CALIPER PISTON | GRASA-1 | 1 GREASE BAG | P-605001 | 1 CALIPER PISTON |
| P-586302 | 1 CALIPER PISTON | PR-21 | 1 BLEEDER SCREW 916 | PR-18 | 1 BLEEDER SCREW 915 |
| PR-21 | 1 BLEEDER SCREW 916 | 11457 | Ø60 | 11466 | Ø60 |
| 11448 | Ø58 | 4565-G | 1 REPAIR KIT | 6178-G | 1 REPAIR KIT |
| P-586301 | 2 CALIPER PISTON | GRASA-1 | 1 GREASE BAG | GRASA-1 | 1 GREASE BAG |
| 4504-G | 1 REPAIR KIT | P-605603 | 1 CALIPER PISTON | P-605304 | 1 CALIPER PISTON ALUMI |
| GRASA-1 | 1 GREASE BAG | PR-17 | 1 BLEEDER SCREW 915 | PR-17 | 1 BLEEDER SCREW 915 |
| PR-21 | 1 BLEEDER SCREW 916 | 11458 | Ø60 | 11467 | Ø60 |
| 11449 | Ø60 | 6047-G | 1 REPAIR KIT | 6325-G | 1 REPAIR KIT |
| 3133-G | 1 REPAIR KIT | GRASA-1 | 1 GREASE BAG | GRASA-1 | 1 GREASE BAG |
| GRASA-1 | 1 GREASE BAG | P-606502 | 1 CALIPER PISTON | P-605202 | 1 CALIPER PISTON |
| P-605102 | 1 CALIPER PISTON | P-606503 | 1 CALIPER PISTON | PR-17 | 1 BLEEDER SCREW 915 |
| PR-18 | 1 BLEEDER SCREW 915 | PR-21 | 1 BLEEDER SCREW 916 | 11468 | Ø60 |
| 11450 | Ø60,5 | 11459 | Ø60 | 6326-G | 1 REPAIR KIT |
| 4967-G | 1 REPAIR KIT | 4310-G | 1 REPAIR KIT | GRASA-1 | 1 GREASE BAG |
| GRASA-1 | 1 GREASE BAG | GRASA-1 | 1 GREASE BAG | P-604905 | 1 CALIPER PISTON |
| P-605001 | 1 CALIPER PISTON | P-606301 | 1 CALIPER PISTON | 11469 | Ø60 |
| PR-14 | 1 BLEEDER SCREW 915 | P-606302 | 1 CALIPER PISTON | 6325-G | 1 REPAIR KIT |
| 11451 | Ø60 | PR-17 | 1 BLEEDER SCREW 915 | GRASA-1 | 1 GREASE BAG |
| 4296-G | 1 REPAIR KIT | PR-21 | 1 BLEEDER SCREW 916 | P-605105 | 1 CALIPER PISTON |
| GRASA-1 | 1 GREASE BAG | 11460 | Ø60 | PR-17 | 1 BLEEDER SCREW 915 |
| P-605002 | 1 CALIPER PISTON PHENO | 6121-G | 1 REPAIR KIT | 11470 | Ø60 |
| 11452 | Ø60 | GRASA-1 | 1 GREASE BAG | 4967-G | 1 REPAIR KIT |
| 6321-G | 1 REPAIR KIT | P-604602 | 1 CALIPER PISTON | GRASA-1 | 1 GREASE BAG |
| GRASA-1 | 1 GREASE BAG | PR-17 | 1 BLEEDER SCREW 915 | P-605105 | 1 CALIPER PISTON |
| P-605501 | 1 CALIPER PISTON ALUMI | 11461 | Ø60 | PR-14 | 1 BLEEDER SCREW 915 |
| PR-17 | 1 BLEEDER SCREW 915 | P-606301 | 2 CALIPER PISTON | 11471 | Ø60 |
| PR-18 | 1 BLEEDER SCREW 915 | 4310-G | 1 REPAIR KIT | 4634-G | 1 REPAIR KIT |
| 11453 | Ø60 | GRASA-1 | 1 GREASE BAG | GRASA-1 | 1 GREASE BAG |
| 4296-G | 1 REPAIR KIT | PR-17 | 1 BLEEDER SCREW 915 | P-605104 | 1 CALIPER PISTON |
| GRASA-1 | 1 GREASE BAG | PR-21 | 1 BLEEDER SCREW 916 | PR-2 | 1 BLEEDER SCREW 915 |
| P-605103 | 1 CALIPER PISTON | | | | |
| PR-10 | 1 BLEEDER SCREW 915 | | | | |



REPAIR KITS COMPOSITION



| | | |
|---------------------------------|---------------------------------|---------------------------------|
| 11472 Ø60 | 11481 Ø63 | 11490 Ø67 |
| 4296-G 1 REPAIR KIT | 4308-G 1 REPAIR KIT | 6339-G 1 REPAIR KIT |
| GRASA-1 1 GREASE BAG | GRASA-1 1 GREASE BAG | GRASA-1 1 GREASE BAG |
| P-605203 1 CALIPER PISTON PHENO | P-635901 1 CALIPER PISTON | P-674801 1 CALIPER PISTON |
| 11473 Ø60 | 11482 Ø63 | 11491 Ø67 |
| 6327-G 1 REPAIR KIT | 6335-G 1 REPAIR KIT | 4735-G 1 REPAIR KIT |
| GRASA-1 1 GREASE BAG | GRASA-1 1 GREASE BAG | GRASA-1 1 GREASE BAG |
| P-605401 1 CALIPER PISTON | P-634802 1 CALIPER PISTON | P-674801 1 CALIPER PISTON |
| PR-17 1 BLEEDER SCREW 915 | | PR-18 1 BLEEDER SCREW 915 |
| 11474 Ø60 | 11483 Ø64 | 11492 Ø68 |
| 6178-G 1 REPAIR KIT | 4759-G 1 REPAIR KIT | P-686501 2 CALIPER PISTON |
| GRASA-1 1 GREASE BAG | GRASA-1 1 GREASE BAG | 6069-G 1 REPAIR KIT |
| P-605503 1 CALIPER PISTON ALUMI | P-634801 1 CALIPER PISTON | GRASA-1 1 GREASE BAG |
| PR-17 1 BLEEDER SCREW 915 | PR-5 1 BLEEDER SCREW 915 | PR-21 1 BLEEDER SCREW 916 |
| PR-18 1 BLEEDER SCREW 915 | 11484 Ø64 | 11493 Ø68 |
| 11475 Ø60 | 4766-G 1 REPAIR KIT | P-686302 2 CALIPER PISTON |
| 4634-G 1 REPAIR KIT | GRASA-1 1 GREASE BAG | 4499-G 1 REPAIR KIT |
| GRASA-1 1 GREASE BAG | P-634801 1 CALIPER PISTON | GRASA-1 1 GREASE BAG |
| K-605104 1 CALIPER PISTON WITH | PR-5 1 BLEEDER SCREW 915 | PR-21 1 BLEEDER SCREW 916 |
| PR-2 1 BLEEDER SCREW 915 | 11485 Ø66 | 11494 Ø68 |
| 11476 Ø60 | 6136-G 1 REPAIR KIT | 4500-G 1 REPAIR KIT |
| 6328-G 1 REPAIR KIT | GRASA-1 1 GREASE BAG | GRASA-1 1 GREASE BAG |
| GRASA-1 1 GREASE BAG | P-665301 1 CALIPER PISTON PHENO | P-686301 1 CALIPER PISTON |
| P-605101 1 CALIPER PISTON | 11486 Ø66 | P-686302 1 CALIPER PISTON |
| PR-17 1 BLEEDER SCREW 915 | 4295-G 1 REPAIR KIT | PR-21 1 BLEEDER SCREW 916 |
| 11477 Ø60 | GRASA-1 1 GREASE BAG | 11495 Ø68 |
| 3135-G 1 REPAIR KIT | P-665202 1 CALIPER PISTON | 4949-G 1 REPAIR KIT |
| GRASA-1 1 GREASE BAG | PR-16 1 BLEEDER SCREW 915 | GRASA-1 1 GREASE BAG |
| P-605306 1 CALIPER PISTON | 11487 Ø66 | P-686501 1 CALIPER PISTON |
| PR-7 1 BLEEDER SCREW 915 | 6137-G 1 REPAIR KIT | P-686502 1 CALIPER PISTON |
| 11478 Ø63 | GRASA-1 1 GREASE BAG | PR-21 1 BLEEDER SCREW 916 |
| 6334-G 1 REPAIR KIT | P-665201 1 CALIPER PISTON PHENO | 11496 Ø68 |
| GRASA-1 1 GREASE BAG | PR-16 1 BLEEDER SCREW 915 | P-686305 2 CALIPER PISTON |
| P-634901 1 CALIPER PISTON | 11488 Ø66 | 4500-G 1 REPAIR KIT |
| PR-5 1 BLEEDER SCREW 915 | 6182-G 1 REPAIR KIT | GRASA-1 1 GREASE BAG |
| 11479 Ø63 | GRASA-1 1 GREASE BAG | PR-21 1 BLEEDER SCREW 916 |
| 6175-G 1 REPAIR KIT | P-665302 1 CALIPER PISTON PHENO | 11497 Ø68 |
| GRASA-1 1 GREASE BAG | 11489 Ø67 | 4500-G 1 REPAIR KIT |
| P-634901 1 CALIPER PISTON | 4279-G 1 REPAIR KIT | GRASA-1 1 GREASE BAG |
| PR-5 1 BLEEDER SCREW 915 | GRASA-1 1 GREASE BAG | P-686303 1 CALIPER PISTON |
| 11480 Ø63 | P-674801 1 CALIPER PISTON | P-686305 1 CALIPER PISTON |
| 6335-G 1 REPAIR KIT | PR-17 1 BLEEDER SCREW 915 | PR-21 1 BLEEDER SCREW 916 |
| GRASA-1 1 GREASE BAG | PR-18 1 BLEEDER SCREW 915 | 11498 Ø27 |
| P-634801 1 CALIPER PISTON | | P-283201 2 CALIPER PISTON ALUMI |
| PR-5 1 BLEEDER SCREW 915 | | P-303201 2 CALIPER PISTON ALUMI |
| | | GRASA-1 1 GREASE BAG |



REPAIR KITS COMPOSITION



| | | |
|---------------------------------|--------------------------------|---------------------------------|
| 11499 Ø38 | 11511 Ø30 | 11519 Ø30 |
| P-385203 1 CALIPER PISTON | 3317-G 1 REPAIR KIT | 3825-G 1 REPAIR KIT |
| 11500 Ø40 | GRASA-1 1 GREASE BAG | GRASA-1 1 GREASE BAG |
| P-404601 1 CALIPER PISTON | K-303801 1 CALIPER PISTON WITH | K-304501 1 CALIPER PISTON WITH |
| 11502 Ø48 | PR-5 1 BLEEDER SCREW 915 | PR-5 1 BLEEDER SCREW 915 |
| GRASA-1 1 GREASE BAG | PR-6 1 BLEEDER SCREW 915 | 11520 Ø30 |
| P-485004 1 CALIPER PISTON PHENO | 11512 Ø30 | 4426-G 1 REPAIR KIT |
| 11503 Ø48 | 6218-G 1 REPAIR KIT | GRASA-1 1 GREASE BAG |
| P-485505 2 CALIPER PISTON PHENO | GRASA-1 1 GREASE BAG | P-304102 1 CALIPER PISTON |
| GRASA-1 1 GREASE BAG | K-303801 1 CALIPER PISTON WITH | PR-18 1 BLEEDER SCREW 915 |
| 11504 Ø54 | PR-5 1 BLEEDER SCREW 915 | 11521 Ø30 |
| P-544804 1 CALIPER PISTON | 11513 Ø30 | 4426-G 1 REPAIR KIT |
| 11505 Ø30 | 4428-G 1 REPAIR KIT | GRASA-1 1 GREASE BAG |
| 6097-G 1 REPAIR KIT | GRASA-1 1 GREASE BAG | K-304102 1 CALIPER PISTON WITH |
| GRASA-1 1 GREASE BAG | K-304301 1 CALIPER PISTON WITH | PR-18 1 BLEEDER SCREW 915 |
| P-304602 1 CALIPER PISTON | PR-13 1 BLEEDER SCREW 915 | 11522 Ø30 |
| PR-17 1 BLEEDER SCREW 915 | PR-17 1 BLEEDER SCREW 915 | 3543-G 1 REPAIR KIT |
| 11506 Ø30 | PR-8 1 BLEEDER SCREW 915 | GRASA-1 1 GREASE BAG |
| 4426-G 1 REPAIR KIT | 11514 Ø30 | P-304504 1 CALIPER PISTON |
| GRASA-1 1 GREASE BAG | 4428-G 1 REPAIR KIT | PR-18 1 BLEEDER SCREW 915 |
| K-304502 1 CALIPER PISTON WITH | GRASA-1 1 GREASE BAG | 11523 Ø30 |
| PR-18 1 BLEEDER SCREW 915 | K-304002 1 CALIPER PISTON WITH | 3543-G 1 REPAIR KIT |
| 11507 Ø30 | PR-13 1 BLEEDER SCREW 915 | GRASA-1 1 GREASE BAG |
| 4625-G 1 REPAIR KIT | 11515 Ø30 | K-304504 1 CALIPER PISTON WITH |
| GRASA-1 1 GREASE BAG | 3590-G 1 REPAIR KIT | PR-18 1 BLEEDER SCREW 915 |
| K-304503 1 CALIPER PISTON WITH | GRASA-1 1 GREASE BAG | 11524 Ø30 |
| PR-18 1 BLEEDER SCREW 915 | K-304601 1 CALIPER PISTON WITH | P-282901 2 CALIPER PISTON ALUMI |
| 11508 Ø30 | PR-17 1 BLEEDER SCREW 915 | P-302901 2 CALIPER PISTON ALUMI |
| 4429-G 1 REPAIR KIT | PR-18 1 BLEEDER SCREW 915 | PR-17 2 BLEEDER SCREW 915 |
| GRASA-1 1 GREASE BAG | 11516 Ø30 | 6217-G 1 REPAIR KIT |
| K-304503 1 CALIPER PISTON WITH | 6027-G 1 REPAIR KIT | GRASA-1 1 GREASE BAG |
| PR-5 1 BLEEDER SCREW 915 | GRASA-1 1 GREASE BAG | 11525 Ø32 |
| 11509 Ø30 | K-304001 1 CALIPER PISTON WITH | 4750-G 1 REPAIR KIT |
| 3732-G 1 REPAIR KIT | PR-5 1 BLEEDER SCREW 915 | GRASA-1 1 GREASE BAG |
| GRASA-1 1 GREASE BAG | 11517 Ø30 | P-324502 1 CALIPER PISTON |
| K-304503 1 CALIPER PISTON WITH | 3262-G 1 REPAIR KIT | PR-5 1 BLEEDER SCREW 915 |
| PR-18 1 BLEEDER SCREW 915 | GRASA-1 1 GREASE BAG | 11526 Ø32 |
| PR-5 1 BLEEDER SCREW 915 | P-304401 1 CALIPER PISTON | 4267-G 1 REPAIR KIT |
| 11510 Ø30 | PR-5 1 BLEEDER SCREW 915 | GRASA-1 1 GREASE BAG |
| 4277-G 1 REPAIR KIT | 11518 Ø30 | P-324401 1 CALIPER PISTON |
| GRASA-1 1 GREASE BAG | 3543-G 1 REPAIR KIT | PR-18 1 BLEEDER SCREW 915 |
| K-304101 1 CALIPER PISTON WITH | GRASA-1 1 GREASE BAG | 11527 Ø32 |
| PR-5 1 BLEEDER SCREW 915 | P-304401 1 CALIPER PISTON | 4576-G 1 REPAIR KIT |
| | PR-18 1 BLEEDER SCREW 915 | GRASA-1 1 GREASE BAG |
| | | P-324701 1 CALIPER PISTON |
| | | PR-5 1 BLEEDER SCREW 915 |



REPAIR KITS COMPOSITION



| | | | | | |
|--------------|------------------------|--------------|------------------------|--------------|------------------------|
| 11528 | Ø32 | 11537 | Ø33 | 11545 | Ø34 |
| 4744-G | 1 REPAIR KIT | 3421-G | 1 REPAIR KIT | 4432-G | 1 REPAIR KIT |
| GRASA-1 | 1 GREASE BAG | GRASA-1 | 1 GREASE BAG | GRASA-1 | 1 GREASE BAG |
| P-324503 | 1 CALIPER PISTON | P-334501 | 1 CALIPER PISTON | P-344802 | 1 CALIPER PISTON |
| PR-17 | 1 BLEEDER SCREW 915 | PR-5 | 1 BLEEDER SCREW 915 | PR-5 | 1 BLEEDER SCREW 915 |
| 11529 | Ø32 | 11538 | Ø33 | 11546 | Ø34 |
| 3843-G | 1 REPAIR KIT | 3422-G | 1 REPAIR KIT | 6223-G | 1 REPAIR KIT |
| GRASA-1 | 1 GREASE BAG | GRASA-1 | 1 GREASE BAG | GRASA-1 | 1 GREASE BAG |
| P-324504 | 1 CALIPER PISTON | K-334401 | 1 CALIPER PISTON WITH | P-344901 | 1 CALIPER PISTON PHENO |
| PR-5 | 1 BLEEDER SCREW 915 | PR-5 | 1 BLEEDER SCREW 915 | | |
| | | PR-7 | 1 BLEEDER SCREW 915 | 11547 | Ø34 |
| 11530 | Ø32 | 11539 | Ø34 | 6154-G | 1 REPAIR KIT |
| 3945-G | 1 REPAIR KIT | 4874-G | 1 REPAIR KIT | GRASA-1 | 1 GREASE BAG |
| GRASA-1 | 1 GREASE BAG | GRASA-1 | 1 GREASE BAG | P-344705 | 1 CALIPER PISTON |
| P-324101 | 1 CALIPER PISTON | P-344201 | 1 CALIPER PISTON | PR-17 | 1 BLEEDER SCREW 915 |
| PR-18 | 1 BLEEDER SCREW 915 | PR-14 | 1 BLEEDER SCREW 915 | 11548 | Ø33 |
| 11531 | Ø32 | 11540 | Ø34 | 6221-G | 1 REPAIR KIT |
| 4430-G | 1 REPAIR KIT | 4371-G | 1 REPAIR KIT | GRASA-1 | 1 GREASE BAG |
| GRASA-1 | 1 GREASE BAG | GRASA-1 | 1 GREASE BAG | P-334601 | 1 CALIPER PISTON |
| K-323801 | 1 CALIPER PISTON WITH | P-344102 | 1 CALIPER PISTON | 11549 | Ø34 |
| PR-5 | 1 BLEEDER SCREW 915 | PR-6 | 1 BLEEDER SCREW 915 | 3258-G | 1 REPAIR KIT |
| 11532 | Ø32 | 11541 | Ø34 | GRASA-1 | 1 GREASE BAG |
| P-323101 | 2 CALIPER PISTON ALUMI | 6098-G | 1 REPAIR KIT | P-344501 | 1 CALIPER PISTON |
| P-343101 | 2 CALIPER PISTON ALUMI | GRASA-1 | 1 GREASE BAG | PR-18 | 1 BLEEDER SCREW 915 |
| P-383103 | 2 CALIPER PISTON ALUMI | P-344703 | 1 CALIPER PISTON | PR-22 | 1 BLEEDER SCREW 915 |
| 6220-G | 1 REPAIR KIT | PR-22 | 1 BLEEDER SCREW 915 | 11550 | Ø34 |
| GRASA-1 | 1 GREASE BAG | 11542 | Ø34 | 4694-G | 1 REPAIR KIT |
| PR-17 | 1 BLEEDER SCREW 915 | 4954-G | 1 REPAIR KIT | GRASA-1 | 1 GREASE BAG |
| 11533 | Ø32 | GRASA-1 | 1 GREASE BAG | P-344705 | 1 CALIPER PISTON |
| 4528-G | 1 REPAIR KIT | P-344704 | 1 CALIPER PISTON | PR-2 | 1 BLEEDER SCREW 915 |
| GRASA-1 | 1 GREASE BAG | PR-5 | 1 BLEEDER SCREW 915 | 11551 | Ø34 |
| K-324501 | 1 CALIPER PISTON WITH | 11543 | Ø34 | 6374-G | 1 REPAIR KIT |
| PR-5 | 1 BLEEDER SCREW 915 | P-303101 | 2 CALIPER PISTON ALUMI | GRASA-1 | 1 GREASE BAG |
| 11534 | Ø32 | P-343101 | 2 CALIPER PISTON ALUMI | P-344707 | 1 CALIPER PISTON |
| P-283101 | 2 CALIPER PISTON ALUMI | P-383103 | 2 CALIPER PISTON ALUMI | PR-17 | 1 BLEEDER SCREW 915 |
| P-323101 | 2 CALIPER PISTON ALUMI | PR-17 | 2 BLEEDER SCREW 915 | 11552 | Ø34 |
| PR-17 | 2 BLEEDER SCREW 915 | 6058-G | 1 REPAIR KIT | 4597-G | 1 REPAIR KIT |
| 6216-G | 1 REPAIR KIT | GRASA-1 | 1 GREASE BAG | GRASA-1 | 1 GREASE BAG |
| GRASA-1 | 1 GREASE BAG | 11544 | Ø34 | P-344603 | 1 CALIPER PISTON |
| 11535 | Ø33 | P-343101 | 2 CALIPER PISTON ALUMI | PR-18 | 1 BLEEDER SCREW 915 |
| P-332801 | 2 CALIPER PISTON | P-363101 | 2 CALIPER PISTON ALUMI | 11553 | Ø34 |
| 3419-G | 1 REPAIR KIT | P-383103 | 2 CALIPER PISTON ALUMI | 6180-G | 1 REPAIR KIT |
| GRASA-1 | 1 GREASE BAG | PR-17 | 2 BLEEDER SCREW 915 | GRASA-1 | 1 GREASE BAG |
| PR-4 | 1 BLEEDER SCREW 915 | 6060-G | 1 REPAIR KIT | P-344706 | 1 CALIPER PISTON |
| 11536 | Ø33 | GRASA-1 | 1 GREASE BAG | PR-17 | 1 BLEEDER SCREW 915 |
| P-332801 | 2 CALIPER PISTON | | | | |
| 4282-G | 1 REPAIR KIT | | | | |
| GRASA-1 | 1 GREASE BAG | | | | |
| PR-4 | 1 BLEEDER SCREW 915 | | | | |



REPAIR KITS COMPOSITION



| | |
|------------------|---|
| 11554 Ø34 | 6226-G 1 REPAIR KIT GRASA-1 1 GREASE BAG P-334601 1 CALIPER PISTON PR-18 1 BLEEDER SCREW 915 |
| 11555 Ø34 | P-363101 4 CALIPER PISTON ALUMI P-343101 2 CALIPER PISTON ALUMI PR-17 2 BLEEDER SCREW 915 6227-G 1 REPAIR KIT GRASA-1 1 GREASE BAG |
| 11556 Ø34 | 2684-G 1 REPAIR KIT GRASA-1 1 GREASE BAG P-344001 1 CALIPER PISTON PR-18 1 BLEEDER SCREW 915 |
| 11557 Ø34 | 6229-G 1 REPAIR KIT GRASA-1 1 GREASE BAG P-344706 1 CALIPER PISTON |
| 11558 Ø34 | 3549-G 1 REPAIR KIT GRASA-1 1 GREASE BAG K-344401 1 CALIPER PISTON WITH PR-13 1 BLEEDER SCREW 915 |
| 11559 Ø34 | 3549-G 1 REPAIR KIT GRASA-1 1 GREASE BAG K-344702 1 CALIPER PISTON WITH PR-13 1 BLEEDER SCREW 915 PR-17 1 BLEEDER SCREW 915 PR-8 1 BLEEDER SCREW 915 |
| 11560 Ø34 | 3539-G 1 REPAIR KIT GRASA-1 1 GREASE BAG K-344801 1 CALIPER PISTON WITH PR-17 1 BLEEDER SCREW 915 PR-18 1 BLEEDER SCREW 915 |
| 11561 Ø34 | 6007-G 1 REPAIR KIT GRASA-1 1 GREASE BAG K-344801 1 CALIPER PISTON WITH PR-7 1 BLEEDER SCREW 915 |
| 11562 Ø33 | 3384-G 1 REPAIR KIT GRASA-1 1 GREASE BAG K-334601 1 CALIPER PISTON WITH PR-17 1 BLEEDER SCREW 915 PR-2 1 BLEEDER SCREW 915 PR-5 1 BLEEDER SCREW 915 |
| 11563 Ø33 | 6007-G 1 REPAIR KIT GRASA-1 1 GREASE BAG K-334601 1 CALIPER PISTON WITH PR-17 1 BLEEDER SCREW 915 |
| 11564 Ø33 | 4695-G 1 REPAIR KIT GRASA-1 1 GREASE BAG K-334601 1 CALIPER PISTON WITH PR-17 1 BLEEDER SCREW 915 |
| 11565 Ø34 | 6221-G 1 REPAIR KIT GRASA-1 1 GREASE BAG K-334601 1 CALIPER PISTON WITH |
| 11566 Ø34 | 3539-G 1 REPAIR KIT GRASA-1 1 GREASE BAG K-334601 1 CALIPER PISTON WITH PR-17 1 BLEEDER SCREW 915 PR-18 1 BLEEDER SCREW 915 |
| 11567 Ø34 | 6226-G 1 REPAIR KIT GRASA-1 1 GREASE BAG K-334601 1 CALIPER PISTON WITH PR-18 1 BLEEDER SCREW 915 |
| 11568 Ø34 | 4874-G 1 REPAIR KIT GRASA-1 1 GREASE BAG K-344201 1 CALIPER PISTON WITH PR-14 1 BLEEDER SCREW 915 |
| 11569 Ø34 | 4371-G 1 REPAIR KIT GRASA-1 1 GREASE BAG K-344101 1 CALIPER PISTON WITH PR-6 1 BLEEDER SCREW 915 |
| 11570 Ø34 | 4517-G 1 REPAIR KIT GRASA-1 1 GREASE BAG K-344701 1 CALIPER PISTON WITH PR-17 1 BLEEDER SCREW 915 |
| 11571 Ø34 | 4822-G 1 REPAIR KIT GRASA-1 1 GREASE BAG K-345001 1 CALIPER PISTON WITH PR-17 1 BLEEDER SCREW 915 |
| 11572 Ø34 | 4597-G 1 REPAIR KIT GRASA-1 1 GREASE BAG K-344603 1 CALIPER PISTON WITH PR-18 1 BLEEDER SCREW 915 |
| 11573 Ø34 | 6225-G 1 REPAIR KIT GRASA-1 1 GREASE BAG P-345201 1 CALIPER PISTON PR-18 1 BLEEDER SCREW 915 |
| 11574 Ø35 | 4622-G 1 REPAIR KIT GRASA-1 1 GREASE BAG P-354601 1 CALIPER PISTON PR-18 1 BLEEDER SCREW 915 |
| 11575 Ø35 | 4437-G 1 REPAIR KIT GRASA-1 1 GREASE BAG P-354601 1 CALIPER PISTON PR-5 1 BLEEDER SCREW 915 |
| 11576 Ø35 | 4696-G 1 REPAIR KIT GRASA-1 1 GREASE BAG P-353901 1 CALIPER PISTON PR-5 1 BLEEDER SCREW 915 |
| 11577 Ø35 | 4276-G 1 REPAIR KIT GRASA-1 1 GREASE BAG P-353901 1 CALIPER PISTON PR-5 1 BLEEDER SCREW 915 |
| 11578 Ø35 | 4699-G 1 REPAIR KIT GRASA-1 1 GREASE BAG P-353901 1 CALIPER PISTON PR-5 1 BLEEDER SCREW 915 |
| 11579 Ø35 | 4769-G 1 REPAIR KIT GRASA-1 1 GREASE BAG P-354402 1 CALIPER PISTON ALUMI PR-18 1 BLEEDER SCREW 915 |



REPAIR KITS COMPOSITION



| | | | | | |
|--------------|-----------------------|--------------|-----------------------|--------------|------------------------|
| 11580 | Ø35 | 11589 | Ø35 | 11598 | Ø36 |
| 4436-G | 1 REPAIR KIT | 6064-G | 1 REPAIR KIT | 6079-G | 1 REPAIR KIT |
| GRASA-1 | 1 GREASE BAG | GRASA-1 | 1 GREASE BAG | GRASA-1 | 1 GREASE BAG |
| P-354504 | 1 CALIPER PISTON | K-354001 | 1 CALIPER PISTON WITH | P-364702 | 1 CALIPER PISTON |
| PR-5 | 1 BLEEDER SCREW 915 | PR-5 | 1 BLEEDER SCREW 915 | PR-5 | 1 BLEEDER SCREW 915 |
| 11581 | Ø35 | 11590 | Ø35 | 11599 | Ø36 |
| 4835-G | 1 REPAIR KIT | 4826-G | 1 REPAIR KIT | 6096-G | 1 REPAIR KIT |
| GRASA-1 | 1 GREASE BAG | GRASA-1 | 1 GREASE BAG | GRASA-1 | 1 GREASE BAG |
| P-354403 | 1 CALIPER PISTON | K-354501 | 1 CALIPER PISTON WITH | P-364804 | 1 CALIPER PISTON |
| PR-5 | 1 BLEEDER SCREW 915 | PR-5 | 1 BLEEDER SCREW 915 | PR-18 | 1 BLEEDER SCREW 915 |
| 11582 | Ø35 | 11591 | Ø35 | 11600 | Ø36 |
| 4763-G | 1 REPAIR KIT | 4835-G | 1 REPAIR KIT | P-362903 | 2 CALIPER PISTON ALUMI |
| GRASA-1 | 1 GREASE BAG | GRASA-1 | 1 GREASE BAG | 4564-G | 1 REPAIR KIT |
| P-354801 | 1 CALIPER PISTON | P-354504 | 1 CALIPER PISTON | GRASA-1 | 1 GREASE BAG |
| PR-5 | 1 BLEEDER SCREW 915 | PR-5 | 1 BLEEDER SCREW 915 | PR-29 | 1 BLEEDER SCREW 917 |
| 11583 | Ø35 | 11592 | Ø35 | 11601 | Ø36 |
| 4988-G | 1 REPAIR KIT | 3844-G | 1 REPAIR KIT | P-362802 | 4 CALIPER PISTON |
| GRASA-1 | 1 GREASE BAG | GRASA-1 | 1 GREASE BAG | PR-3 | 3 BLEEDER SCREW 915 |
| P-354505 | 1 CALIPER PISTON | P-354401 | 1 CALIPER PISTON | 3320-G | 1 REPAIR KIT |
| PR-5 | 1 BLEEDER SCREW 915 | PR-5 | 1 BLEEDER SCREW 915 | GRASA-1 | 1 GREASE BAG |
| 11584 | Ø35 | 11593 | Ø35 | 11602 | Ø36 |
| PR-5 | 2 BLEEDER SCREW 915 | 4988-G | 1 REPAIR KIT | 4753-G | 1 REPAIR KIT |
| 4696-G | 1 REPAIR KIT | GRASA-1 | 1 GREASE BAG | GRASA-1 | 1 GREASE BAG |
| GRASA-1 | 1 GREASE BAG | K-354505 | 1 CALIPER PISTON WITH | K-364805 | 1 CALIPER PISTON WITH |
| K-353901 | 1 CALIPER PISTON WITH | PR-5 | 1 BLEEDER SCREW 915 | PR-17 | 1 BLEEDER SCREW 915 |
| 11585 | Ø35 | 11594 | Ø36 | 11603 | Ø36 |
| 4276-G | 1 REPAIR KIT | P-363002 | 2 CALIPER PISTON | 4825-G | 1 REPAIR KIT |
| GRASA-1 | 1 GREASE BAG | 3832-G | 1 REPAIR KIT | GRASA-1 | 1 GREASE BAG |
| K-353901 | 1 CALIPER PISTON WITH | GRASA-1 | 1 GREASE BAG | K-365001 | 1 CALIPER PISTON WITH |
| PR-5 | 1 BLEEDER SCREW 915 | PR-7 | 1 BLEEDER SCREW 915 | PR-17 | 1 BLEEDER SCREW 915 |
| 11586 | Ø35 | 11595 | Ø36 | 11604 | Ø36 |
| 4699-G | 1 REPAIR KIT | 4753-G | 1 REPAIR KIT | 4519-G | 1 REPAIR KIT |
| GRASA-1 | 1 GREASE BAG | GRASA-1 | 1 GREASE BAG | GRASA-1 | 1 GREASE BAG |
| K-353901 | 1 CALIPER PISTON WITH | P-364805 | 1 CALIPER PISTON | K-364701 | 1 CALIPER PISTON WITH |
| PR-5 | 1 BLEEDER SCREW 915 | PR-17 | 1 BLEEDER SCREW 915 | PR-22 | 1 BLEEDER SCREW 915 |
| 11587 | Ø35 | 11596 | Ø36 | 11605 | Ø36 |
| 3576-G | 1 REPAIR KIT | 6184-G | 1 REPAIR KIT | P-363003 | 4 CALIPER PISTON |
| GRASA-1 | 1 GREASE BAG | GRASA-1 | 1 GREASE BAG | 4700-G | 1 REPAIR KIT |
| K-354503 | 1 CALIPER PISTON WITH | P-364901 | 1 CALIPER PISTON | GRASA-1 | 1 GREASE BAG |
| PR-5 | 1 BLEEDER SCREW 915 | PR-17 | 1 BLEEDER SCREW 915 | PR-14 | 1 BLEEDER SCREW 915 |
| 11588 | Ø35 | 11597 | Ø36 | 11606 | Ø36 |
| 4624-G | 1 REPAIR KIT | 4825-G | 1 REPAIR KIT | P-363005 | 2 CALIPER PISTON ALUMI |
| GRASA-1 | 1 GREASE BAG | GRASA-1 | 1 GREASE BAG | P-383005 | 2 CALIPER PISTON ALUMI |
| K-354001 | 1 CALIPER PISTON WITH | P-365001 | 1 CALIPER PISTON | P-403005 | 2 CALIPER PISTON ALUMI |
| PR-5 | 1 BLEEDER SCREW 915 | PR-17 | 1 BLEEDER SCREW 915 | 6234-G | 1 REPAIR KIT |
| | | | | GRASA-1 | 1 GREASE BAG |
| | | | | PR-17 | 1 BLEEDER SCREW 915 |



REPAIR KITS COMPOSITION



| | | |
|---------------------------------|----------------------------------|----------------------------|
| 11607 Ø36 | 11616 Ø38 | 11624 Ø38 |
| P-363004 6 CALIPER PISTON ALUMI | 4858-G 1 REPAIR KIT | 6124-G 1 REPAIR KIT |
| 6232-G 1 REPAIR KIT | GRASA-1 1 GREASE BAG | GRASA-1 1 GREASE BAG |
| GRASA-1 1 GREASE BAG | K-384901L 1 CALIPER PISTON WITH | P-385105 1 CALIPER PISTON |
| PR-17 1 BLEEDER SCREW 915 | PR-17 1 BLEEDER SCREW 915 | PR-18 1 BLEEDER SCREW 915 |
| 11608 Ø36 | 11617 Ø38 | 11625 Ø38 |
| 3888-G 1 REPAIR KIT | 4858-G 1 REPAIR KIT | 4927-G 1 REPAIR KIT |
| GRASA-1 1 GREASE BAG | GRASA-1 1 GREASE BAG | GRASA-1 1 GREASE BAG |
| P-364401 1 CALIPER PISTON | K-384901R 1 CALIPER PISTON WITH | P-384602 1 CALIPER PISTON |
| PR-5 1 BLEEDER SCREW 915 | PR-17 1 BLEEDER SCREW 915 | PR-5 1 BLEEDER SCREW 915 |
| 11609 Ø36 | 11618 Ø38 | 11626 Ø38 |
| 4290-G 1 REPAIR KIT | 4661-G 1 REPAIR KIT | 4545-G 1 REPAIR KIT |
| GRASA-1 1 GREASE BAG | GRASA-1 1 GREASE BAG | GRASA-1 1 GREASE BAG |
| P-365301 1 CALIPER PISTON | K-384901L 1 CALIPER PISTON WITH | P-384602 1 CALIPER PISTON |
| PR-17 1 BLEEDER SCREW 915 | PR-17 1 BLEEDER SCREW 915 | PR-18 1 BLEEDER SCREW 915 |
| 11610 Ø36 | 11619 Ø38 | 11627 Ø38 |
| 3257-G 1 REPAIR KIT | 4661-G 1 REPAIR KIT | 4618-G 1 REPAIR KIT |
| GRASA-1 1 GREASE BAG | GRASA-1 1 GREASE BAG | GRASA-1 1 GREASE BAG |
| P-364001 1 CALIPER PISTON | K-384901R 1 CALIPER PISTON WITH | P-384602 1 CALIPER PISTON |
| PR-17 1 BLEEDER SCREW 915 | PR-17 1 BLEEDER SCREW 915 | PR-5 1 BLEEDER SCREW 915 |
| 11611 Ø36 | 11620 Ø38 | 11628 Ø38 |
| 4367-G 1 REPAIR KIT | 4661-G 1 REPAIR KIT | P-383202 2 CALIPER PISTON |
| GRASA-1 1 GREASE BAG | GRASA-1 1 GREASE BAG | 4447-G 1 REPAIR KIT |
| K-365101L 1 CALIPER PISTON WITH | K-385102-L 1 CALIPER PISTON WITH | GRASA-1 1 GREASE BAG |
| PR-17 1 BLEEDER SCREW 915 | PR-17 1 BLEEDER SCREW 915 | PR-19 1 BLEEDER SCREW 915 |
| 11612 Ø36 | 11621 Ø38 | 11629 Ø38 |
| 4367-G 1 REPAIR KIT | 4661-G 1 REPAIR KIT | 6188-G 1 REPAIR KIT |
| GRASA-1 1 GREASE BAG | GRASA-1 1 GREASE BAG | GRASA-1 1 GREASE BAG |
| K-365101R 1 CALIPER PISTON WITH | K-385102-R 1 CALIPER PISTON WITH | P-385202 1 CALIPER PISTON |
| PR-17 1 BLEEDER SCREW 915 | PR-17 1 BLEEDER SCREW 915 | PR-17 1 BLEEDER SCREW 915 |
| 11613 Ø36 | 11622 Ø38 | RW-3046 1 FRICTION BUSHING |
| 6184-G 1 REPAIR KIT | P-383003 2 CALIPER PISTON | 11630 Ø38 |
| GRASA-1 1 GREASE BAG | P-423002 2 CALIPER PISTON | 6134-G 1 REPAIR KIT |
| K-364901L 1 CALIPER PISTON WITH | 4449-G 1 REPAIR KIT | GRASA-1 1 GREASE BAG |
| PR-17 1 BLEEDER SCREW 915 | GRASA-1 1 GREASE BAG | P-385002 1 CALIPER PISTON |
| 11614 Ø36 | PR-15 1 BLEEDER SCREW 915 | PR-17 1 BLEEDER SCREW 915 |
| 6184-G 1 REPAIR KIT | 11623 Ø38 | 11631 Ø38 |
| GRASA-1 1 GREASE BAG | P-383201 2 CALIPER PISTON | 6124-G 1 REPAIR KIT |
| K-364901R 1 CALIPER PISTON WITH | P-423201 2 CALIPER PISTON | GRASA-1 1 GREASE BAG |
| PR-17 1 BLEEDER SCREW 915 | RW-3029 2 HEAT SHIELD | P-384803 1 CALIPER PISTON |
| 11615 Ø38 | RW-3030 2 HEAT SHIELD | PR-17 1 BLEEDER SCREW 915 |
| 6132-G 1 REPAIR KIT | 4449-G 1 REPAIR KIT | PR-18 1 BLEEDER SCREW 915 |
| GRASA-1 1 GREASE BAG | GRASA-1 1 GREASE BAG | 11632 Ø38 |
| P-384502 1 CALIPER PISTON | PR-7 1 BLEEDER SCREW 915 | 6240-G 1 REPAIR KIT |
| PR-5 1 BLEEDER SCREW 915 | | GRASA-1 1 GREASE BAG |
| | | P-384703 1 CALIPER PISTON |
| | | PR-8 1 BLEEDER SCREW 915 |



REPAIR KITS COMPOSITION



| | | | | | |
|--------------|------------------------|--------------|-----------------------|--------------|-----------------------|
| 11633 | Ø38 | 11642 | Ø38 | 11650 | Ø38 |
| 6238-G | 1 REPAIR KIT | 6242-G | 1 REPAIR KIT | 6236-G | 1 REPAIR KIT |
| GRASA-1 | 1 GREASE BAG | GRASA-1 | 1 GREASE BAG | GRASA-1 | 1 GREASE BAG |
| P-385003 | 1 CALIPER PISTON | P-384804 | 1 CALIPER PISTON | K-384601 | 1 CALIPER PISTON WITH |
| PR-18 | 1 BLEEDER SCREW 915 | PR-17 | 1 BLEEDER SCREW 915 | PR-18 | 1 BLEEDER SCREW 915 |
| 11634 | Ø38 | 11643 | Ø38 | 11651 | Ø38 |
| 4955-G | 1 REPAIR KIT | 4661-G | 1 REPAIR KIT | 4442-G | 1 REPAIR KIT |
| GRASA-1 | 1 GREASE BAG | GP-1018 | 1 SNAP RING | GRASA-1 | 1 GREASE BAG |
| P-385004 | 1 CALIPER PISTON | GRASA-1 | 1 GREASE BAG | K-385101 | 1 CALIPER PISTON WITH |
| P-455002 | 1 CALIPER PISTON | P-385103 | 1 CALIPER PISTON | PR-17 | 1 BLEEDER SCREW 915 |
| PR-17 | 1 BLEEDER SCREW 915 | PR-17 | 1 BLEEDER SCREW 915 | PR-18 | 1 BLEEDER SCREW 915 |
| 11635 | Ø38 | 11644 | Ø38 | PR-22 | 1 BLEEDER SCREW 915 |
| P-382905 | 2 CALIPER PISTON | 4445-G | 1 REPAIR KIT | PR-3 | 1 BLEEDER SCREW 915 |
| 3451-G | 1 REPAIR KIT | GRASA-1 | 1 GREASE BAG | PR-5 | 1 BLEEDER SCREW 915 |
| GRASA-1 | 1 GREASE BAG | K-384701 | 1 CALIPER PISTON WITH | 11652 | Ø38 |
| PR-7 | 1 BLEEDER SCREW 915 | PR-13 | 1 BLEEDER SCREW 915 | 3247-G | 1 REPAIR KIT |
| 11636 | Ø38 | PR-17 | 1 BLEEDER SCREW 915 | GRASA-1 | 1 GREASE BAG |
| P-383203 | 2 CALIPER PISTON ALUMI | PR-22 | 1 BLEEDER SCREW 915 | K-385101 | 1 CALIPER PISTON WITH |
| P-443202 | 2 CALIPER PISTON ALUMI | 11645 | Ø38 | PR-17 | 1 BLEEDER SCREW 915 |
| 6237-G | 1 REPAIR KIT | 4912-G | 1 REPAIR KIT | PR-19 | 1 BLEEDER SCREW 915 |
| GRASA-1 | 1 GREASE BAG | GRASA-1 | 1 GREASE BAG | PR-5 | 1 BLEEDER SCREW 915 |
| PR-17 | 1 BLEEDER SCREW 915 | K-384102 | 1 CALIPER PISTON WITH | 11653 | Ø38 |
| 11637 | Ø38 | PR-6 | 1 BLEEDER SCREW 915 | 3540-G | 1 REPAIR KIT |
| P-383203 | 2 CALIPER PISTON ALUMI | 11646 | Ø38 | GRASA-1 | 1 GREASE BAG |
| P-423202 | 2 CALIPER PISTON ALUMI | 4797-G | 1 REPAIR KIT | K-385101 | 1 CALIPER PISTON WITH |
| PR-17 | 2 BLEEDER SCREW 915 | GRASA-1 | 1 GREASE BAG | PR-17 | 1 BLEEDER SCREW 915 |
| 6049-G | 1 REPAIR KIT | K-384902 | 1 CALIPER PISTON WITH | 11654 | Ø38 |
| GRASA-1 | 1 GREASE BAG | PR-17 | 1 BLEEDER SCREW 915 | 4661-G | 1 REPAIR KIT |
| 11638 | Ø38 | 11647 | Ø38 | GRASA-1 | 1 GREASE BAG |
| 6243-G | 1 REPAIR KIT | 6241-G | 1 REPAIR KIT | K-384702 | 1 CALIPER PISTON WITH |
| GRASA-1 | 1 GREASE BAG | GRASA-1 | 1 GREASE BAG | PR-17 | 1 BLEEDER SCREW 915 |
| P-384704 | 1 CALIPER PISTON | K-384805 | 1 CALIPER PISTON WITH | 11655 | Ø38 |
| PR-17 | 1 BLEEDER SCREW 915 | PR-17 | 1 BLEEDER SCREW 915 | 4636-G | 1 REPAIR KIT |
| 11639 | Ø38 | 11648 | Ø38 | GRASA-1 | 1 GREASE BAG |
| 4881-G | 1 REPAIR KIT | 3683-G | 1 REPAIR KIT | K-384702 | 1 CALIPER PISTON WITH |
| GRASA-1 | 1 GREASE BAG | GRASA-1 | 1 GREASE BAG | PR-17 | 1 BLEEDER SCREW 915 |
| P-384604 | 1 CALIPER PISTON | K-384601 | 1 CALIPER PISTON WITH | 11656 | Ø38 |
| PR-13 | 1 BLEEDER SCREW 915 | PR-17 | 1 BLEEDER SCREW 915 | K-383001 | 2 CALIPER PISTON WITH |
| 11640 | Ø38 | PR-18 | 1 BLEEDER SCREW 915 | PR-3 | 2 BLEEDER SCREW 915 |
| 6241-G | 1 REPAIR KIT | 11649 | Ø38 | 3371-G | 1 REPAIR KIT |
| GRASA-1 | 1 GREASE BAG | 4702-G | 1 REPAIR KIT | GRASA-1 | 1 GREASE BAG |
| P-384805 | 1 CALIPER PISTON | GRASA-1 | 1 GREASE BAG | PR-5 | 1 BLEEDER SCREW 915 |
| PR-17 | 1 BLEEDER SCREW 915 | K-384601 | 1 CALIPER PISTON WITH | 11657 | Ø38 |
| 11641 | Ø38 | PR-5 | 1 BLEEDER SCREW 915 | 6134-G | 1 REPAIR KIT |
| 2618-G | 1 REPAIR KIT | 11655 | Ø38 | GRASA-1 | 1 GREASE BAG |
| GRASA-1 | 1 GREASE BAG | 4636-G | 1 REPAIR KIT | K-385002L | 1 CALIPER PISTON WITH |
| P-384104 | 1 CALIPER PISTON | GRASA-1 | 1 GREASE BAG | PR-17 | 1 BLEEDER SCREW 915 |
| PR-2 | 1 BLEEDER SCREW 915 | 11656 | Ø38 | | |



REPAIR KITS COMPOSITION



| | | | | | |
|---------------------------------|------------|---------------------------------|------------|--------------------------------|------------|
| 11658 | Ø38 | 11667 | Ø40 | 11676 | Ø40 |
| 6134-G 1 REPAIR KIT | | P-403204 2 CALIPER PISTON | | 6246-G 1 REPAIR KIT | |
| GRASA-1 1 GREASE BAG | | 3513-G 1 REPAIR KIT | | GRASA-1 1 GREASE BAG | |
| K-385002R 1 CALIPER PISTON WITH | | GRASA-1 1 GREASE BAG | | P-404701 1 CALIPER PISTON | |
| PR-17 1 BLEEDER SCREW 915 | | PR-4 1 BLEEDER SCREW 915 | | PR-8 1 BLEEDER SCREW 915 | |
| 11659 | Ø38 | 11668 | Ø40 | 11677 | Ø40 |
| 4661-G 1 REPAIR KIT | | 4510-G 1 REPAIR KIT | | 4510-G 1 REPAIR KIT | |
| GRASA-1 1 GREASE BAG | | GRASA-1 1 GREASE BAG | | GRASA-1 1 GREASE BAG | |
| K-385103L 1 CALIPER PISTON WITH | | P-404904 1 CALIPER PISTON | | P-405001 1 CALIPER PISTON | |
| PR-17 1 BLEEDER SCREW 915 | | PR-18 1 BLEEDER SCREW 915 | | PR-18 1 BLEEDER SCREW 915 | |
| 11660 | Ø38 | 11669 | Ø40 | PR-7 1 BLEEDER SCREW 915 | |
| 4661-G 1 REPAIR KIT | | P-402904 2 CALIPER PISTON ALUMI | | 11678 | Ø40 |
| GRASA-1 1 GREASE BAG | | PR-17 2 BLEEDER SCREW 915 | | 4703-G 1 REPAIR KIT | |
| K-385103R 1 CALIPER PISTON WITH | | 4882-G 1 REPAIR KIT | | GRASA-1 1 GREASE BAG | |
| PR-17 1 BLEEDER SCREW 915 | | GRASA-1 1 GREASE BAG | | P-405202 1 CALIPER PISTON | |
| 11661 | Ø38 | 11670 | Ø40 | PR-5 1 BLEEDER SCREW 915 | |
| 4890-G 1 REPAIR KIT | | P-402904 4 CALIPER PISTON ALUMI | | 11679 | Ø40 |
| GRASA-1 1 GREASE BAG | | PR-17 2 BLEEDER SCREW 915 | | P-403003 2 CALIPER PISTON | |
| K-385103L 1 CALIPER PISTON WITH | | 4932-G 1 REPAIR KIT | | 4325-G 1 REPAIR KIT | |
| 11662 | Ø38 | GRASA-1 1 GREASE BAG | | GRASA-1 1 GREASE BAG | |
| 4890-G 1 REPAIR KIT | | 11671 | Ø40 | PR-4 1 BLEEDER SCREW 915 | |
| GRASA-1 1 GREASE BAG | | P-402904 2 CALIPER PISTON ALUMI | | PR-5 1 BLEEDER SCREW 915 | |
| K-385103R 1 CALIPER PISTON WITH | | P-442902 2 CALIPER PISTON ALUMI | | 11680 | Ø40 |
| 11663 | Ø38 | PR-17 2 BLEEDER SCREW 915 | | 4704-G 1 REPAIR KIT | |
| P-383005 2 CALIPER PISTON ALUMI | | 4887-G 1 REPAIR KIT | | GRASA-1 1 GREASE BAG | |
| P-423005 2 CALIPER PISTON ALUMI | | GRASA-1 1 GREASE BAG | | P-404601 1 CALIPER PISTON | |
| PR-17 2 BLEEDER SCREW 915 | | 11672 | Ø40 | PR-5 1 BLEEDER SCREW 915 | |
| 6049-G 1 REPAIR KIT | | 4938-G 1 REPAIR KIT | | 11681 | Ø40 |
| GRASA-1 1 GREASE BAG | | GRASA-1 1 GREASE BAG | | P-403101 4 CALIPER PISTON | |
| PR-13 1 BLEEDER SCREW 915 | | P-404501 1 CALIPER PISTON | | 4450-G 1 REPAIR KIT | |
| 11664 | Ø40 | PR-5 1 BLEEDER SCREW 915 | | GRASA-1 1 GREASE BAG | |
| P-402903 2 CALIPER PISTON | | 11673 | Ø40 | PR-18 1 BLEEDER SCREW 915 | |
| P-422801 2 CALIPER PISTON | | 4510-G 1 REPAIR KIT | | 11682 | Ø40 |
| 4619-G 1 REPAIR KIT | | GRASA-1 1 GREASE BAG | | P-403101 2 CALIPER PISTON | |
| GRASA-1 1 GREASE BAG | | P-404802 1 CALIPER PISTON | | 4873-G 1 REPAIR KIT | |
| PR-18 1 BLEEDER SCREW 915 | | PR-7 1 BLEEDER SCREW 915 | | GRASA-1 1 GREASE BAG | |
| 11665 | Ø40 | 11674 | Ø40 | PR-18 1 BLEEDER SCREW 915 | |
| P-402903 2 CALIPER PISTON | | 4510-G 1 REPAIR KIT | | 11683 | Ø40 |
| PR-5 2 BLEEDER SCREW 915 | | GRASA-1 1 GREASE BAG | | P-403004 4 CALIPER PISTON | |
| 4873-G 1 REPAIR KIT | | P-405501 1 CALIPER PISTON | | PR-17 2 BLEEDER SCREW 915 | |
| GRASA-1 1 GREASE BAG | | PR-16 1 BLEEDER SCREW 915 | | PR-3 2 BLEEDER SCREW 915 | |
| 11666 | Ø40 | PR-18 1 BLEEDER SCREW 915 | | 3396-G 1 REPAIR KIT | |
| P-402903 2 CALIPER PISTON | | 11675 | Ø40 | GRASA-1 1 GREASE BAG | |
| 4592-G 1 REPAIR KIT | | 6131-G 1 REPAIR KIT | | 11684 | Ø40 |
| GRASA-1 1 GREASE BAG | | GRASA-1 1 GREASE BAG | | 6246-G 1 REPAIR KIT | |
| PR-2 1 BLEEDER SCREW 915 | | P-404401 1 CALIPER PISTON ALUMI | | GRASA-1 1 GREASE BAG | |
| PR-5 1 BLEEDER SCREW 915 | | | | K-404701 1 CALIPER PISTON WITH | |
| | | | | PR-8 1 BLEEDER SCREW 915 | |



REPAIR KITS COMPOSITION



| | | | | | |
|---------------------------------|------------|--------------------------------|------------|---------------------------------|------------|
| 11685 | Ø40 | 11694 | Ø41 | 11703 | Ø42 |
| 6044-G 1 REPAIR KIT | | 4455-G 1 REPAIR KIT | | P-422903 2 CALIPER PISTON | |
| GRASA-1 1 GREASE BAG | | GRASA-1 1 GREASE BAG | | 6253-G 1 REPAIR KIT | |
| K-404905 1 CALIPER PISTON WITH | | P-414301 1 CALIPER PISTON | | GRASA-1 1 GREASE BAG | |
| PR-17 1 BLEEDER SCREW 915 | | PR-18 1 BLEEDER SCREW 915 | | PR-7 1 BLEEDER SCREW 915 | |
| 11686 | Ø40 | 11695 | Ø41 | 11704 | Ø42 |
| 6247-G 1 REPAIR KIT | | 4453-G 1 REPAIR KIT | | 6186-G 1 REPAIR KIT | |
| GRASA-1 1 GREASE BAG | | GRASA-1 1 GREASE BAG | | GRASA-1 1 GREASE BAG | |
| K-404803 1 CALIPER PISTON WITH | | K-414601 1 CALIPER PISTON WITH | | P-425301 1 CALIPER PISTON | |
| PR-17 1 BLEEDER SCREW 915 | | PR-4 1 BLEEDER SCREW 915 | | PR-17 1 BLEEDER SCREW 915 | |
| 11687 | Ø40 | 11696 | Ø41 | 11705 | Ø42 |
| P-403005 4 CALIPER PISTON ALUMI | | 4289-G 1 REPAIR KIT | | P-425301 2 CALIPER PISTON | |
| PR-17 2 BLEEDER SCREW 915 | | GRASA-1 1 GREASE BAG | | 4919-G 1 REPAIR KIT | |
| 4932-G 1 REPAIR KIT | | K-415101 1 CALIPER PISTON WITH | | GRASA-1 1 GREASE BAG | |
| GRASA-1 1 GREASE BAG | | PR-17 1 BLEEDER SCREW 915 | | PR-17 1 BLEEDER SCREW 915 | |
| 11688 | Ø40 | 11697 | Ø41 | 11706 | Ø42 |
| 4703-G 1 REPAIR KIT | | 4264-G 1 REPAIR KIT | | P-423101 2 CALIPER PISTON | |
| GRASA-1 1 GREASE BAG | | GRASA-1 1 GREASE BAG | | 4646-G 1 REPAIR KIT | |
| P-405203 1 CALIPER PISTON | | K-414301 1 CALIPER PISTON WITH | | GRASA-1 1 GREASE BAG | |
| PR-5 1 BLEEDER SCREW 915 | | PR-18 1 BLEEDER SCREW 915 | | PR-4 1 BLEEDER SCREW 915 | |
| 11689 | Ø40 | 11698 | Ø41 | 11707 | Ø42 |
| P-403005 2 CALIPER PISTON ALUMI | | 4455-G 1 REPAIR KIT | | P-422601 2 CALIPER PISTON ALUMI | |
| P-443002 2 CALIPER PISTON ALUMI | | GRASA-1 1 GREASE BAG | | 2659-G 1 REPAIR KIT | |
| PR-17 2 BLEEDER SCREW 915 | | K-414301 1 CALIPER PISTON WITH | | GRASA-1 1 GREASE BAG | |
| 4887-G 1 REPAIR KIT | | PR-18 1 BLEEDER SCREW 915 | | PR-29 1 BLEEDER SCREW 917 | |
| GRASA-1 1 GREASE BAG | | | | | |
| 11690 | Ø40 | 11699 | Ø41 | 11708 | Ø42 |
| P-405002 2 CALIPER PISTON | | 4496-G 1 REPAIR KIT | | P-424401 2 CALIPER PISTON | |
| 4598-G 1 REPAIR KIT | | GRASA-1 1 GREASE BAG | | 6255-G 1 REPAIR KIT | |
| GRASA-1 1 GREASE BAG | | P-414101 1 CALIPER PISTON | | GRASA-1 1 GREASE BAG | |
| PR-18 1 BLEEDER SCREW 915 | | PR-18 1 BLEEDER SCREW 915 | | | |
| 11691 | Ø40 | 11700 | Ø42 | 11709 | Ø42 |
| 6248-G 1 REPAIR KIT | | 4623-G 1 REPAIR KIT | | P-423003 2 CALIPER PISTON | |
| GRASA-1 1 GREASE BAG | | GRASA-1 1 GREASE BAG | | 4456-G 1 REPAIR KIT | |
| P-405002 1 CALIPER PISTON | | P-425002 1 CALIPER PISTON | | GRASA-1 1 GREASE BAG | |
| PR-18 1 BLEEDER SCREW 915 | | PR-18 1 BLEEDER SCREW 915 | | PR-7 1 BLEEDER SCREW 915 | |
| 11692 | Ø41 | 11701 | Ø42 | 11710 | Ø42 |
| 4453-G 1 REPAIR KIT | | 4623-G 1 REPAIR KIT | | P-423003 2 CALIPER PISTON | |
| GRASA-1 1 GREASE BAG | | GRASA-1 1 GREASE BAG | | 4646-G 1 REPAIR KIT | |
| P-414601 1 CALIPER PISTON | | P-425104 1 CALIPER PISTON | | GRASA-1 1 GREASE BAG | |
| PR-4 1 BLEEDER SCREW 915 | | PR-18 1 BLEEDER SCREW 915 | | PR-7 1 BLEEDER SCREW 915 | |
| 11693 | Ø41 | 11702 | Ø42 | 11711 | Ø42 |
| 4264-G 1 REPAIR KIT | | P-425601 2 CALIPER PISTON | | P-422601 4 CALIPER PISTON ALUMI | |
| GRASA-1 1 GREASE BAG | | 4621-G 1 REPAIR KIT | | 4259-G 1 REPAIR KIT | |
| P-414301 1 CALIPER PISTON | | GRASA-1 1 GREASE BAG | | GRASA-1 1 GREASE BAG | |
| PR-18 1 BLEEDER SCREW 915 | | PR-5 1 BLEEDER SCREW 915 | | PR-22 1 BLEEDER SCREW 915 | |
| | | | | PR-29 1 BLEEDER SCREW 917 | |



REPAIR KITS COMPOSITION



| | | | | | |
|--------------|------------------------|--------------|------------------------|--------------|---------------------|
| 11712 | Ø42 | 11721 | Ø42 | 11730 | Ø43 |
| P-424801 | 2 CALIPER PISTON | P-423005 | 2 CALIPER PISTON ALUMI | 6094-G | 1 REPAIR KIT |
| PR-18 | 2 BLEEDER SCREW 915 | 6252-G | 1 REPAIR KIT | GRASA-1 | 1 GREASE BAG |
| 3900-G | 1 REPAIR KIT | GRASA-1 | 1 GREASE BAG | P-434701 | 1 CALIPER PISTON |
| GRASA-1 | 1 GREASE BAG | PR-17 | 1 BLEEDER SCREW 915 | 11731 | Ø43 |
| 11713 | Ø42 | 11722 | Ø42 | 4807-G | 1 REPAIR KIT |
| P-425601 | 2 CALIPER PISTON | P-425502 | 2 CALIPER PISTON ALUMI | GRASA-1 | 1 GREASE BAG |
| 6256-G | 1 REPAIR KIT | 4971-G | 1 REPAIR KIT | P-434701 | 1 CALIPER PISTON |
| GRASA-1 | 1 GREASE BAG | GRASA-1 | 1 GREASE BAG | PR-6 | 1 BLEEDER SCREW 915 |
| PR-18 | 1 BLEEDER SCREW 915 | PR-17 | 1 BLEEDER SCREW 915 | 11732 | Ø43 |
| 11714 | Ø42 | PR-18 | 1 BLEEDER SCREW 915 | 6075-G | 1 REPAIR KIT |
| P-432901 | 2 CALIPER PISTON | 11723 | Ø42 | GRASA-1 | 1 GREASE BAG |
| PR-16 | 2 BLEEDER SCREW 915 | P-425502 | 2 CALIPER PISTON ALUMI | P-434504 | 1 CALIPER PISTON |
| 4456-G | 1 REPAIR KIT | 6251-G | 1 REPAIR KIT | PR-5 | 1 BLEEDER SCREW 915 |
| GRASA-1 | 1 GREASE BAG | GRASA-1 | 1 GREASE BAG | 11733 | Ø43 |
| 11715 | Ø42 | PR-17 | 1 BLEEDER SCREW 915 | P-435001 | 2 CALIPER PISTON |
| 4623-G | 1 REPAIR KIT | 11724 | Ø42 | 4548-G | 1 REPAIR KIT |
| GRASA-1 | 1 GREASE BAG | 4623-G | 1 REPAIR KIT | GRASA-1 | 1 GREASE BAG |
| P-425501 | 1 CALIPER PISTON | GRASA-1 | 1 GREASE BAG | PR-5 | 1 BLEEDER SCREW 915 |
| PR-18 | 1 BLEEDER SCREW 915 | P-425202 | 1 CALIPER PISTON | 11734 | Ø43 |
| 11716 | Ø42 | PR-18 | 1 BLEEDER SCREW 915 | P-433101 | 4 CALIPER PISTON |
| P-425501 | 2 CALIPER PISTON | 11725 | Ø43 | 4936-G | 1 REPAIR KIT |
| 6251-G | 1 REPAIR KIT | P-434802 | 2 CALIPER PISTON | GRASA-1 | 1 GREASE BAG |
| GRASA-1 | 1 GREASE BAG | 6032-G | 1 REPAIR KIT | PR-14 | 1 BLEEDER SCREW 915 |
| PR-18 | 1 BLEEDER SCREW 915 | GRASA-1 | 1 GREASE BAG | PR-18 | 1 BLEEDER SCREW 915 |
| 11717 | Ø42 | PR-18 | 1 BLEEDER SCREW 915 | 11735 | Ø43 |
| P-425302 | 2 CALIPER PISTON PHENO | 11726 | Ø42 | P-433101 | 2 CALIPER PISTON |
| 6258-G | 1 REPAIR KIT | P-432901 | 2 CALIPER PISTON | 4934-G | 1 REPAIR KIT |
| GRASA-1 | 1 GREASE BAG | 6263-G | 1 REPAIR KIT | GRASA-1 | 1 GREASE BAG |
| 11718 | Ø42 | GRASA-1 | 1 GREASE BAG | PR-18 | 1 BLEEDER SCREW 915 |
| P-422904 | 2 CALIPER PISTON ALUMI | PR-16 | 1 BLEEDER SCREW 915 | 11736 | Ø43 |
| 4646-G | 1 REPAIR KIT | 11727 | Ø43 | 6127-G | 1 REPAIR KIT |
| GRASA-1 | 1 GREASE BAG | 4951-G | 1 REPAIR KIT | GRASA-1 | 1 GREASE BAG |
| PR-15 | 1 BLEEDER SCREW 915 | GRASA-1 | 1 GREASE BAG | P-435201 | 1 CALIPER PISTON |
| 11719 | Ø42 | P-434503 | 1 CALIPER PISTON | PR-17 | 1 BLEEDER SCREW 915 |
| 4662-G | 1 REPAIR KIT | PR-5 | 1 BLEEDER SCREW 915 | RW-3046 | 1 FRICTION BUSHING |
| GRASA-1 | 1 GREASE BAG | 11728 | Ø43 | 11737 | Ø43 |
| K-425103L | 1 CALIPER PISTON WITH | 4543-G | 1 REPAIR KIT | 6259-G | 1 REPAIR KIT |
| PR-17 | 1 BLEEDER SCREW 915 | GRASA-1 | 1 GREASE BAG | GRASA-1 | 1 GREASE BAG |
| 11720 | Ø42 | P-434601 | 1 CALIPER PISTON | P-434901 | 1 CALIPER PISTON |
| 4662-G | 1 REPAIR KIT | PR-5 | 1 BLEEDER SCREW 915 | PR-17 | 1 BLEEDER SCREW 915 |
| GRASA-1 | 1 GREASE BAG | 11729 | Ø43 | 11738 | Ø43 |
| K-425103R | 1 CALIPER PISTON WITH | 4709-G | 1 REPAIR KIT | 4641-G | 1 REPAIR KIT |
| PR-17 | 1 BLEEDER SCREW 915 | GRASA-1 | 1 GREASE BAG | GRASA-1 | 1 GREASE BAG |
| | | P-434601 | 1 CALIPER PISTON | P-434602 | 1 CALIPER PISTON |
| | | PR-5 | 1 BLEEDER SCREW 915 | PR-4 | 1 BLEEDER SCREW 915 |



REPAIR KITS COMPOSITION



| | | | | | |
|--------------|------------------------|--------------|------------------------|--------------|------------------------|
| 11739 | Ø43 | 11748 | Ø43 | 11756 | Ø44 |
| 6264-G | 1 REPAIR KIT | 4893-G | 1 REPAIR KIT | P-445502 | 2 CALIPER PISTON |
| GRASA-1 | 1 GREASE BAG | GRASA-1 | 1 GREASE BAG | 4920-G | 1 REPAIR KIT |
| P-434701 | 1 CALIPER PISTON | K-425102 | 1 CALIPER PISTON WITH | GRASA-1 | 1 GREASE BAG |
| PR-17 | 1 BLEEDER SCREW 915 | PR-17 | 1 BLEEDER SCREW 915 | PR-17 | 1 BLEEDER SCREW 915 |
| 11740 | Ø43 | 11749 | Ø43 | 11757 | Ø44 |
| P-434505 | 2 CALIPER PISTON | 4292-G | 1 REPAIR KIT | 4945-G | 1 REPAIR KIT |
| 4457-G | 1 REPAIR KIT | GRASA-1 | 1 GREASE BAG | GRASA-1 | 1 GREASE BAG |
| GRASA-1 | 1 GREASE BAG | GRASA-1 | 1 GREASE BAG | P-444801 | 1 CALIPER PISTON |
| PR-5 | 1 BLEEDER SCREW 915 | K-425102 | 1 CALIPER PISTON WITH | PR-5 | 1 BLEEDER SCREW 915 |
| 11741 | Ø43 | PR-17 | 1 BLEEDER SCREW 915 | 11758 | Ø44 |
| P-434805 | 2 CALIPER PISTON PHENO | 11750 | Ø43 | 6055-G | 1 REPAIR KIT |
| 3900-G | 1 REPAIR KIT | 6090-G | 1 REPAIR KIT | GRASA-1 | 1 GREASE BAG |
| GRASA-1 | 1 GREASE BAG | GRASA-1 | 1 GREASE BAG | P-444701 | 1 CALIPER PISTON |
| PR-18 | 1 BLEEDER SCREW 915 | K-425102 | 1 CALIPER PISTON WITH | PR-10 | 1 BLEEDER SCREW 915 |
| 11742 | Ø43 | PR-17 | 1 BLEEDER SCREW 915 | 11759 | Ø44 |
| P-433103 | 2 CALIPER PISTON | 11751 | Ø43 | P-442901 | 2 CALIPER PISTON |
| P-483102 | 2 CALIPER PISTON | 6077-G | 1 REPAIR KIT | 4258-G | 1 REPAIR KIT |
| 6106-G | 1 REPAIR KIT | GRASA-1 | 1 GREASE BAG | GRASA-1 | 1 GREASE BAG |
| GRASA-1 | 1 GREASE BAG | K-425102 | 1 CALIPER PISTON WITH | PR-5 | 1 BLEEDER SCREW 915 |
| PR-19 | 1 BLEEDER SCREW 915 | PR-17 | 1 BLEEDER SCREW 915 | 11760 | Ø44 |
| 11743 | Ø43 | PR-20 | 1 BLEEDER SCREW 915 | P-445601 | 2 CALIPER PISTON |
| 4641-G | 1 REPAIR KIT | 11752 | Ø43 | 6272-G | 1 REPAIR KIT |
| GRASA-1 | 1 GREASE BAG | P-433104 | 4 CALIPER PISTON ALUMI | GRASA-1 | 1 GREASE BAG |
| K-434602 | 1 CALIPER PISTON WITH | 4936-G | 1 REPAIR KIT | PR-5 | 1 BLEEDER SCREW 915 |
| PR-4 | 1 BLEEDER SCREW 915 | GRASA-1 | 1 GREASE BAG | 11761 | Ø44 |
| 11744 | Ø43 | PR-14 | 1 BLEEDER SCREW 915 | 4891-G | 1 REPAIR KIT |
| 6269-G | 1 REPAIR KIT | 11753 | Ø44 | GRASA-1 | 1 GREASE BAG |
| GRASA-1 | 1 GREASE BAG | 4891-G | 1 REPAIR KIT | P-445002 | 1 CALIPER PISTON ALUMI |
| P-434804 | 1 CALIPER PISTON | GRASA-1 | 1 GREASE BAG | PR-18 | 1 BLEEDER SCREW 915 |
| PR-5 | 1 BLEEDER SCREW 915 | P-445501 | 1 CALIPER PISTON | 11762 | Ø44 |
| 11745 | Ø42 | PR-17 | 1 BLEEDER SCREW 915 | 4772-G | 1 REPAIR KIT |
| 3439-G | 1 REPAIR KIT | PR-18 | 1 BLEEDER SCREW 915 | GRASA-1 | 1 GREASE BAG |
| GRASA-1 | 1 GREASE BAG | PR-7 | 1 BLEEDER SCREW 915 | K-444602 | 1 CALIPER PISTON WITH |
| K-424601 | 1 CALIPER PISTON WITH | 11754 | Ø44 | PR-5 | 1 BLEEDER SCREW 915 |
| PR-17 | 1 BLEEDER SCREW 915 | 3163-G | 1 REPAIR KIT | 11763 | Ø44 |
| 11746 | Ø43 | GRASA-1 | 1 GREASE BAG | P-443301 | 2 CALIPER PISTON |
| 4459-G | 1 REPAIR KIT | P-445301 | 1 CALIPER PISTON | 3701-G | 1 REPAIR KIT |
| GRASA-1 | 1 GREASE BAG | PR-2 | 1 BLEEDER SCREW 915 | GRASA-1 | 1 GREASE BAG |
| K-424601 | 1 CALIPER PISTON WITH | PR-5 | 1 BLEEDER SCREW 915 | PR-2 | 1 BLEEDER SCREW 915 |
| PR-18 | 1 BLEEDER SCREW 915 | 11755 | Ø44 | 11764 | Ø44 |
| 11747 | Ø43 | 4772-G | 1 REPAIR KIT | P-442903 | 2 CALIPER PISTON |
| 3439-G | 1 REPAIR KIT | GRASA-1 | 1 GREASE BAG | 3701-G | 1 REPAIR KIT |
| GRASA-1 | 1 GREASE BAG | P-444602 | 1 CALIPER PISTON | GRASA-1 | 1 GREASE BAG |
| K-425102 | 1 CALIPER PISTON WITH | PR-5 | 1 BLEEDER SCREW 915 | PR-2 | 1 BLEEDER SCREW 915 |
| PR-17 | 1 BLEEDER SCREW 915 | | | | |



REPAIR KITS COMPOSITION



| | | | | | |
|--------------|------------------------|--------------|------------------------|--------------|-----------------------|
| 11765 | Ø44 | 11775 | Ø45 | 11784 | Ø46 |
| P-443502 | 4 CALIPER PISTON | 4896-G | 1 REPAIR KIT | P-464701 | 2 CALIPER PISTON |
| PR-17 | 2 BLEEDER SCREW 915 | GRASA-1 | 1 GREASE BAG | 6280-G | 1 REPAIR KIT |
| 3459-G | 1 REPAIR KIT | P-454503 | 1 CALIPER PISTON | GRASA-1 | 1 GREASE BAG |
| GRASA-1 | 1 GREASE BAG | PR-13 | 1 BLEEDER SCREW 915 | PR-17 | 1 BLEEDER SCREW 915 |
| 11766 | Ø44 | 11776 | Ø45 | 11785 | Ø46 |
| 4258-G | 1 REPAIR KIT | P-454801 | 2 CALIPER PISTON | P-465103 | 2 CALIPER PISTON |
| GRASA-1 | 1 GREASE BAG | 6066-G | 1 REPAIR KIT | 6283-G | 1 REPAIR KIT |
| P-443001 | 1 CALIPER PISTON | GRASA-1 | 1 GREASE BAG | GRASA-1 | 1 GREASE BAG |
| PR-5 | 1 BLEEDER SCREW 915 | PR-17 | 1 BLEEDER SCREW 915 | PR-17 | 1 BLEEDER SCREW 915 |
| 11768 | Ø45 | 11777 | Ø45 | 11786 | Ø46 |
| P-455102 | 2 CALIPER PISTON | 6167-G | 1 REPAIR KIT | 6126-G | 1 REPAIR KIT |
| 6150-G | 1 REPAIR KIT | GRASA-1 | 1 GREASE BAG | GRASA-1 | 1 GREASE BAG |
| GRASA-1 | 1 GREASE BAG | K-454901 | 1 CALIPER PISTON WITH | K-466601L | 1 CALIPER PISTON WITH |
| PR-18 | 1 BLEEDER SCREW 915 | PR-17 | 1 BLEEDER SCREW 915 | PR-17 | 1 BLEEDER SCREW 915 |
| 11769 | Ø45 | 11778 | Ø46 | 11787 | Ø46 |
| 4653-G | 1 REPAIR KIT | P-462901 | 2 CALIPER PISTON | 6126-G | 1 REPAIR KIT |
| GRASA-1 | 1 GREASE BAG | 4647-G | 1 REPAIR KIT | GRASA-1 | 1 GREASE BAG |
| P-454802 | 1 CALIPER PISTON | GRASA-1 | 1 GREASE BAG | K-466601R | 1 CALIPER PISTON WITH |
| PR-5 | 1 BLEEDER SCREW 915 | PR-7 | 1 BLEEDER SCREW 915 | PR-17 | 1 BLEEDER SCREW 915 |
| 11770 | Ø45 | 11779 | Ø46 | 11788 | Ø47 |
| P-455303 | 2 CALIPER PISTON | 6126-G | 1 REPAIR KIT | P-482901 | 2 CALIPER PISTON |
| 6120-G | 1 REPAIR KIT | GRASA-1 | 1 GREASE BAG | 6057-G | 1 REPAIR KIT |
| GRASA-1 | 1 GREASE BAG | P-466601 | 1 CALIPER PISTON | GRASA-1 | 1 GREASE BAG |
| 11771 | Ø45 | PR-17 | 1 BLEEDER SCREW 915 | PR-18 | 1 BLEEDER SCREW 915 |
| 6167-G | 1 REPAIR KIT | 11780 | Ø46 | 11789 | Ø48 |
| GRASA-1 | 1 GREASE BAG | P-465101 | 2 CALIPER PISTON | P-483001 | 2 CALIPER PISTON |
| P-454901 | 1 CALIPER PISTON | 4715-G | 1 REPAIR KIT | 6185-G | 1 REPAIR KIT |
| PR-17 | 1 BLEEDER SCREW 915 | GRASA-1 | 1 GREASE BAG | GRASA-1 | 1 GREASE BAG |
| 11772 | Ø45 | PR-18 | 1 BLEEDER SCREW 915 | PR-19 | 1 BLEEDER SCREW 915 |
| 6276-G | 1 REPAIR KIT | 11781 | Ø46 | 11790 | Ø48 |
| GRASA-1 | 1 GREASE BAG | P-463002 | 2 CALIPER PISTON | P-483101 | 4 CALIPER PISTON |
| P-454902 | 1 CALIPER PISTON | 4465-G | 1 REPAIR KIT | 6176-G | 1 REPAIR KIT |
| PR-17 | 1 BLEEDER SCREW 915 | GRASA-1 | 1 GREASE BAG | GRASA-1 | 1 GREASE BAG |
| 11773 | Ø45 | PR-15 | 1 BLEEDER SCREW 915 | 11791 | Ø48 |
| 6105-G | 1 REPAIR KIT | RW-3020 | 1 HEAT SHIELD | P-484301 | 2 CALIPER PISTON |
| GRASA-1 | 1 GREASE BAG | RW-3021 | 1 HEAT SHIELD | 3356-G | 1 REPAIR KIT |
| P-454903 | 1 CALIPER PISTON | 11782 | Ø46 | GRASA-1 | 1 GREASE BAG |
| PR-18 | 1 BLEEDER SCREW 915 | P-464601 | 2 CALIPER PISTON | PR-5 | 1 BLEEDER SCREW 915 |
| 11774 | Ø45 | 6282-G | 1 REPAIR KIT | 11792 | Ø48 |
| P-452601 | 2 CALIPER PISTON ALUMI | GRASA-1 | 1 GREASE BAG | P-485102 | 2 CALIPER PISTON |
| 3100-G | 1 REPAIR KIT | PR-17 | 1 BLEEDER SCREW 915 | 6290-G | 1 REPAIR KIT |
| GRASA-1 | 1 GREASE BAG | 11783 | Ø46 | GRASA-1 | 1 GREASE BAG |
| PR-17 | 1 BLEEDER SCREW 915 | P-465102 | 2 CALIPER PISTON PHENO | PR-17 | 1 BLEEDER SCREW 915 |
| | | 4642-G | 1 REPAIR KIT | | |
| | | GRASA-1 | 1 GREASE BAG | | |



REPAIR KITS COMPOSITION



| | | |
|---------------------------------|---------------------------------|---------------------------------|
| 11793 Ø48 | 11802 Ø48 | 11812 Ø50 |
| P-485506 2 CALIPER PISTON | 6128-G 1 REPAIR KIT | P-503801 4 CALIPER PISTON |
| 6288-G 1 REPAIR KIT | GRASA-1 1 GREASE BAG | PR-17 3 BLEEDER SCREW 915 |
| GRASA-1 1 GREASE BAG | P-484703 1 CALIPER PISTON PHENO | 4956-G 1 REPAIR KIT |
| PR-17 1 BLEEDER SCREW 915 | PR-17 1 BLEEDER SCREW 915 | GRASA-1 1 GREASE BAG |
| 11794 Ø48 | 11803 Ø48 | 11813 Ø51 |
| P-475901 2 CALIPER PISTON | P-486301 2 CALIPER PISTON | 4284-G 1 REPAIR KIT |
| 3356-G 1 REPAIR KIT | PR-18 2 BLEEDER SCREW 915 | GRASA-1 1 GREASE BAG |
| GRASA-1 1 GREASE BAG | 6145-G 1 REPAIR KIT | P-514402 1 CALIPER PISTON |
| PR-28 1 BLEEDER SCREW 915 | GRASA-1 1 GREASE BAG | PR-18 1 BLEEDER SCREW 915 |
| 11795 Ø48 | 11804 Ø48 | 11814 Ø51 |
| 6149-G 1 REPAIR KIT | 6285-G 1 REPAIR KIT | 6084-G 1 REPAIR KIT |
| GRASA-1 1 GREASE BAG | GRASA-1 1 GREASE BAG | GRASA-1 1 GREASE BAG |
| P-485303 1 CALIPER PISTON | P-484904 1 CALIPER PISTON PHENO | P-516001 1 CALIPER PISTON |
| PR-17 1 BLEEDER SCREW 915 | 11805 Ø48 | PR-17 1 BLEEDER SCREW 915 |
| 11796 Ø48 | 6165-G 1 REPAIR KIT | 11815 Ø51 |
| 2675-G 1 REPAIR KIT | GRASA-1 1 GREASE BAG | 6067-G 1 REPAIR KIT |
| GRASA-1 1 GREASE BAG | P-484703 1 CALIPER PISTON PHENO | GRASA-1 1 GREASE BAG |
| P-485005 1 CALIPER PISTON | 11806 Ø48 | P-514402 1 CALIPER PISTON |
| PR-19 1 BLEEDER SCREW 915 | P-486001 2 CALIPER PISTON | PR-18 1 BLEEDER SCREW 915 |
| 11797 Ø48 | 6156-G 1 REPAIR KIT | 11816 Ø51 |
| 6048-G 1 REPAIR KIT | GRASA-1 1 GREASE BAG | P-513101 4 CALIPER PISTON |
| GRASA-1 1 GREASE BAG | PR-17 1 BLEEDER SCREW 915 | 6114-G 1 REPAIR KIT |
| K-485205L 1 CALIPER PISTON WITH | 11807 Ø48 | GRASA-1 1 GREASE BAG |
| PR-17 1 BLEEDER SCREW 915 | P-482903 2 CALIPER PISTON | PR-18 1 BLEEDER SCREW 915 |
| 11798 Ø48 | 2643-G 1 REPAIR KIT | 11817 Ø51 |
| 6048-G 1 REPAIR KIT | GRASA-1 1 GREASE BAG | 4475-G 1 REPAIR KIT |
| GRASA-1 1 GREASE BAG | PR-5 1 BLEEDER SCREW 915 | GRASA-1 1 GREASE BAG |
| K-485205R 1 CALIPER PISTON WITH | 11808 Ø48 | P-514202 1 CALIPER PISTON |
| PR-17 1 BLEEDER SCREW 915 | 4721-G 1 REPAIR KIT | PR-18 1 BLEEDER SCREW 915 |
| 11799 Ø48 | GRASA-1 1 GREASE BAG | 11818 Ø51 |
| 3077-G 1 REPAIR KIT | P-484703 1 CALIPER PISTON PHENO | P-515301 2 CALIPER PISTON |
| GRASA-1 1 GREASE BAG | 11809 Ø48 | 6367-G 1 REPAIR KIT |
| P-484802 1 CALIPER PISTON | P-483301 2 CALIPER PISTON | GRASA-1 1 GREASE BAG |
| 11800 Ø48 | 2643-G 1 REPAIR KIT | 11819 Ø51 |
| P-485206 2 CALIPER PISTON | GRASA-1 1 GREASE BAG | P-515201 2 CALIPER PISTON PHENO |
| 6292-G 1 REPAIR KIT | 11810 Ø48 | 6366-G 1 REPAIR KIT |
| GRASA-1 1 GREASE BAG | 4547-G 1 REPAIR KIT | GRASA-1 1 GREASE BAG |
| PR-17 1 BLEEDER SCREW 915 | GRASA-1 1 GREASE BAG | 11820 Ø51 |
| PR-18 1 BLEEDER SCREW 915 | P-484201 1 CALIPER PISTON | P-515501 2 CALIPER PISTON PHENO |
| 11801 Ø48 | PR-18 1 BLEEDER SCREW 915 | 6368-G 1 REPAIR KIT |
| 6051-G 1 REPAIR KIT | 11811 Ø48 | GRASA-1 1 GREASE BAG |
| GRASA-1 1 GREASE BAG | 3077-G 1 REPAIR KIT | 11821 Ø52 |
| P-485206 1 CALIPER PISTON | GRASA-1 1 GREASE BAG | 4751-G 1 REPAIR KIT |
| PR-17 1 BLEEDER SCREW 915 | P-484806 1 CALIPER PISTON | GRASA-1 1 GREASE BAG |
| | PR-3 1 BLEEDER SCREW 915 | K-526501L 1 CALIPER PISTON WITH |
| | | PR-17 1 BLEEDER SCREW 915 |



REPAIR KITS COMPOSITION



| | | | | | |
|---------------------------------|------------|---------------------------------|------------|--------------------------------|------------|
| 11822 | Ø52 | 11831 | Ø60 | 11841 | Ø38 |
| 4751-G 1 REPAIR KIT | | 6322-G 1 REPAIR KIT | | 6375-G 1 REPAIR KIT | |
| GRASA-1 1 GREASE BAG | | GRASA-1 1 GREASE BAG | | GRASA-1 1 GREASE BAG | |
| K-526501R 1 CALIPER PISTON WITH | | P-605003 1 CALIPER PISTON | | P-384601 1 CALIPER PISTON | |
| PR-17 1 BLEEDER SCREW 915 | | PR-17 1 BLEEDER SCREW 915 | | | |
| 11823 | Ø54 | 11832 | Ø60 | 11842 | Ø38 |
| 4727-G 1 REPAIR KIT | | 6028-G 1 REPAIR KIT | | 6375-G 1 REPAIR KIT | |
| GRASA-1 1 GREASE BAG | | GRASA-1 1 GREASE BAG | | GRASA-1 1 GREASE BAG | |
| P-544503 1 CALIPER PISTON | | K-606501L 1 CALIPER PISTON WITH | | K-384601 1 CALIPER PISTON WITH | |
| PR-18 1 BLEEDER SCREW 915 | | PR-17 1 BLEEDER SCREW 915 | | | |
| 11824 | Ø54 | 11833 | Ø60 | 11843 | Ø48 |
| 4668-G 1 REPAIR KIT | | 6028-G 1 REPAIR KIT | | 6149-G 1 REPAIR KIT | |
| GRASA-1 1 GREASE BAG | | GRASA-1 1 GREASE BAG | | GRASA-1 1 GREASE BAG | |
| K-545203L 1 CALIPER PISTON WITH | | K-606501R 1 CALIPER PISTON WITH | | K-485303 1 CALIPER PISTON WITH | |
| PR-2 1 BLEEDER SCREW 915 | | PR-17 1 BLEEDER SCREW 915 | | PR-17 1 BLEEDER SCREW 915 | |
| 11825 | Ø54 | 11834 | Ø60 | 11844 | Ø51 |
| 4668-G 1 REPAIR KIT | | 6172-G 1 REPAIR KIT | | 6379-G 1 REPAIR KIT | |
| GRASA-1 1 GREASE BAG | | GRASA-1 1 GREASE BAG | | GRASA-1 1 GREASE BAG | |
| K-545203R 1 CALIPER PISTON WITH | | P-605204 1 CALIPER PISTON | | P-515301 1 CALIPER PISTON | |
| PR-2 1 BLEEDER SCREW 915 | | PR-17 1 BLEEDER SCREW 915 | | | |
| 11826 | Ø54 | 11835 | Ø60 | 11845 | Ø60 |
| 3647-G 1 REPAIR KIT | | 6370-G 1 REPAIR KIT | | 6327-G 1 REPAIR KIT | |
| GRASA-1 1 GREASE BAG | | GRASA-1 1 GREASE BAG | | GRASA-1 1 GREASE BAG | |
| P-545304 1 CALIPER PISTON | | P-605504 1 CALIPER PISTON PHENO | | K-605401 1 CALIPER PISTON WITH | |
| PR-5 1 BLEEDER SCREW 915 | | | | PR-17 1 BLEEDER SCREW 915 | |
| 11827 | Ø54 | 11836 | Ø60 | 11846 | Ø60 |
| 6070-G 1 REPAIR KIT | | 6371-G 1 REPAIR KIT | | P-606502 2 CALIPER PISTON | |
| GRASA-1 1 GREASE BAG | | GRASA-1 1 GREASE BAG | | 6383-G 1 REPAIR KIT | |
| P-544905 1 CALIPER PISTON | | P-604902 1 CALIPER PISTON | | GRASA-1 1 GREASE BAG | |
| | | | | PR-21 1 BLEEDER SCREW 916 | |
| 11828 | Ø57 | 11837 | Ø63 | 30000-G | Ø7 |
| 4669-G 1 REPAIR KIT | | 6335-G 1 REPAIR KIT | | 2335 2 PIN BUSHING 625 | |
| GRASA-1 1 GREASE BAG | | GRASA-1 1 GREASE BAG | | 2091 1 SEAL FOR GUIDE 515 | |
| K-575201L 1 CALIPER PISTON WITH | | P-635301 1 CALIPER PISTON | | 40000 1 GUIDE PIN | |
| PR-2 1 BLEEDER SCREW 915 | | PR-5 1 BLEEDER SCREW 915 | | 40028 1 GUIDE PIN | |
| 11829 | Ø57 | 11838 | Ø66 | GRASA-2 1 GREASE FOR GUIDE PIN | |
| 4669-G 1 REPAIR KIT | | 6338-G 1 REPAIR KIT | | RW-3008 1 HEAT SHIELD | |
| GRASA-1 1 GREASE BAG | | GRASA-1 1 GREASE BAG | | TR-5 1 SCREW | |
| K-575201R 1 CALIPER PISTON WITH | | P-665501 1 CALIPER PISTON | | 30001-G | Ø8 |
| PR-2 1 BLEEDER SCREW 915 | | PR-16 1 BLEEDER SCREW 915 | | 40003 2 GUIDE PIN | |
| 11830 | Ø57 | 11839 | Ø19 | 834 2 PIN BUSHING 605 | |
| 6369-G 1 REPAIR KIT | | 1516 1 PIN BUSHING 321 | | TR-4 2 SCREW | |
| GRASA-1 1 GREASE BAG | | 1521 1 CONNECTION SEAL 705 | | GRASA-2 1 GREASE FOR GUIDE PIN | |
| P-575506 1 CALIPER PISTON | | GP-19 1 SNAP RING | | 30003-G | Ø8 |
| | | MLL-26 1 SPRING | | 40001 2 GUIDE PIN | |
| | | PT-10 1 PISTON | | 834 2 PIN BUSHING 605 | |
| | | | | TR-4 2 SCREW | |
| | | | | GRASA-2 1 GREASE FOR GUIDE PIN | |
| | | 11840 | Ø38 | | |
| | | GRASA-1 1 GREASE BAG | | | |
| | | P-384401 1 CALIPER PISTON | | | |



REPAIR KITS COMPOSITION



| | | | | | | |
|----------------|------------------------|----------------|----------------|------------------------|----------------|------------|
| 30004-G | Ø8 | 30012-G | Ø10 | 30019-G | Ø10 | |
| 1874 | 2 PIN BUSHING | 645 | 1885 | 2 PIN BUSHING | 604 | |
| 40004 | 2 GUIDE PIN | | TR-5 | 2 SCREW | | |
| TR-4 | 2 SCREW | | 40013 | 1 GUIDE PIN | | |
| GRASA-2 | 1 GREASE FOR GUIDE PIN | | 40014 | 1 GUIDE PIN | | |
| 30005-G | Ø8 | 30013-G | Ø10 | 30020-G | Ø10 | |
| 2271 | 2 PIN BUSHING | 601 | 1885 | 2 PIN BUSHING | 604 | |
| 2232 | 1 SEAL FOR GUIDE | 519 | 40013 | 2 GUIDE PIN | | |
| 40005 | 1 GUIDE PIN | | TR-5 | 2 SCREW | | |
| 40006 | 1 GUIDE PIN | | GRASA-2 | 1 GREASE FOR GUIDE PIN | | |
| GRASA-2 | 1 GREASE FOR GUIDE PIN | | 30014-G | Ø10 | 30021-G | Ø10 |
| 30006-G | Ø8 | 30015-G | Ø10 | 2428 | 2 PIN BUSHING | 601 |
| 1874 | 2 PIN BUSHING | 645 | 2428 | 2 PIN BUSHING | 601 | |
| 40002 | 2 GUIDE PIN | | TR-5 | 2 SCREW | | |
| TR-4 | 2 SCREW | | 2429 | 1 SEAL FOR GUIDE | 516 | |
| GRASA-2 | 1 GREASE FOR GUIDE PIN | | 40022 | 1 GUIDE PIN | | |
| 30007-G | Ø9 | 30016-G | Ø10 | 40023 | 1 GUIDE PIN | |
| 2043 | 2 PIN BUSHING | 620 | 1874 | 2 PIN BUSHING | 645 | |
| TR-5 | 2 SCREW | | TR-5 | 2 SCREW | | |
| 2349 | 1 SEAL FOR GUIDE | 519 | 2227 | 1 SEAL FOR GUIDE | 518 | |
| 40009 | 1 GUIDE PIN | | 40013 | 1 GUIDE PIN | | |
| 40010 | 1 GUIDE PIN | | 40014 | 1 GUIDE PIN | | |
| GRASA-2 | 1 GREASE FOR GUIDE PIN | | GRASA-2 | 1 GREASE FOR GUIDE PIN | | |
| 30008-G | Ø9 | 30017-G | Ø10 | 30022-G | Ø10 | |
| 8137 | 2 PIN BUSHING | 601 | 1874 | 2 PIN BUSHING | 645 | |
| TR-5 | 2 SCREW | | TR-5 | 2 SCREW | | |
| 40007 | 1 GUIDE PIN | | 2227 | 1 SEAL FOR GUIDE | 518 | |
| 40008 | 1 GUIDE PIN | | 40013 | 1 GUIDE PIN | | |
| 8151 | 1 SEAL FOR GUIDE | 518 | 40014 | 1 GUIDE PIN | | |
| GRASA-2 | 1 GREASE FOR GUIDE PIN | | GRASA-2 | 1 GREASE FOR GUIDE PIN | | |
| 30009-G | Ø9 | 30018-G | Ø10 | 30023-G | Ø12 | |
| 1590 | 2 BOOT | 642 | 1590 | 2 BOOT | 619 | |
| TR-5 | 2 SCREW | | 1895 | 2 PLASTIC CAP | 723 | |
| 40007 | 1 GUIDE PIN | | 40027 | 2 GUIDE PIN | | |
| 40008 | 1 GUIDE PIN | | GRASA-2 | 1 GREASE FOR GUIDE PIN | | |
| 8151 | 1 SEAL FOR GUIDE | 518 | 30024-G | Ø12 | | |
| GRASA-2 | 1 GREASE FOR GUIDE PIN | | 2057 | 1 PIN BUSHING | 605 | |
| 30010-G | Ø9 | 30019-G | Ø10 | 2058 | 1 PIN BUSHING | 610 |
| 2465 | 2 PIN BUSHING | 634 | 2057 | 1 PIN BUSHING | 605 | |
| 2349 | 1 SEAL FOR GUIDE | 519 | 40026 | 1 GUIDE PIN | | |
| 40011 | 1 GUIDE PIN | | 40031 | 1 GUIDE PIN | | |
| 40012 | 1 GUIDE PIN | | 8170 | 1 PLASTIC CAP | 746 | |
| GRASA-2 | 1 GREASE FOR GUIDE PIN | | GRASA-2 | 1 GREASE FOR GUIDE PIN | | |
| 30011-G | Ø10 | 30020-G | Ø10 | 30025-G | Ø12 | |
| 40016 | 2 GUIDE PIN | | 2070 | 1 PIN BUSHING | 618 | |
| 834 | 2 PIN BUSHING | 605 | 2071 | 1 PIN BUSHING | 618 | |
| TR-4 | 2 SCREW | | 40024 | 1 GUIDE PIN | | |
| GRASA-2 | 1 GREASE FOR GUIDE PIN | | 40025 | 1 GUIDE PIN | | |
| | | | GRASA-2 | 1 GREASE FOR GUIDE PIN | | |
| | | | TR-6 | 1 SCREW | | |
| | | | TR-7 | 1 SCREW | | |



REPAIR KITS COMPOSITION



| | | | | | |
|----------------|-------------------------|----------------|------------------------|----------------|------------------------|
| 30026-G | Ø12 | 30033-G | Ø18 | 30042-G | Ø7 |
| 2070 | 2 PIN BUSHING | 618 | 2434 | 2 PIN BUSHING | 603 |
| 40024 | 2 GUIDE PIN | 633 | 2443 | 2 CAP | 733 |
| TR-7 | 2 SCREW | 40036 | 2 GUIDE PIN | 40044 | 2 GUIDE PIN |
| GRASA-2 | 1 GREASE FOR GUIDE PIN | GRASA-2 | 1 GREASE FOR GUIDE PIN | GRASA-2 | 1 GREASE FOR GUIDE PIN |
| 30027-G | Ø13 | 30034-G | Ø18 | 30043-G | Ø8,2 |
| 1548 | 1 PIN BUSHING | 609 | 2434 | 2 PIN BUSHING | 603 |
| 1844 | 1 BOOT | 633 | 2443 | 2 CAP | 733 |
| 2048 | 1 PIN BUSHING | 627 | 40038 | 2 GUIDE PIN | GRASA-2 |
| 40029 | 1 GUIDE PIN | GRASA-2 | 1 GREASE FOR GUIDE PIN | 2420 | 2 PIN BUSHING |
| 40030 | 1 GUIDE PIN | 30035-G | Ø18 | TR-5 | 2 SCREW |
| GRASA-2 | 1 GREASE FOR GUIDE PIN | 2434 | 2 PIN BUSHING | 2232 | 1 SEAL FOR GUIDE |
| RW-3043 | 1 STEEL CAP | 603 | 2443 | 40048 | 1 GUIDE PIN |
| 30028-G | Ø14 | 733 | 40038 | 40049 | 1 GUIDE PIN |
| 2057 | 1 PIN BUSHING | 605 | 40039 | GRASA-2 | 1 GREASE FOR GUIDE PIN |
| 2223 | 1 PIN BUSHING | 610 | 8264 | 30044-G | Ø8 |
| 40032 | 1 GUIDE PIN | GRASA-2 | 1 GREASE FOR GUIDE PIN | 1547 | 2 PIN BUSHING |
| 40099 | 1 GUIDE PIN | 30037-G | Ø20 | 40047 | 2 GUIDE PIN |
| 8171 | 1 PLASTIC CAP | 614 | 1542 | TR-5 | 2 SCREW |
| GRASA-2 | 1 GREASE FOR GUIDE PIN | 40040 | 2 GUIDE PIN | GRASA-2 | 1 GREASE FOR GUIDE PIN |
| 30029-G | Ø15 | 80112.70 | 2 O-RING | 30045-G | Ø8 |
| RW-3052 | 2 BUSHING | 65 | RW-3009 | 2442 | 2 PIN BUSHING |
| 2334 | 1 PIN BUSHING | 625 | 1841 | TR-5 | 2 SCREW |
| 2426 | 1 PLASTIC CAP | 714 | GRASA-2 | 2091 | 1 SEAL FOR GUIDE |
| 2439 | 1 PIN BUSHING | 625 | 1 GREASE FOR GUIDE PIN | 40050 | 1 GUIDE PIN |
| 40033 | 1 GUIDE PIN | 30038-G | Ø20 | 40051 | 1 GUIDE PIN |
| GRASA-2 | 1 GREASE FOR GUIDE PIN | 892 | 4 PIN BUSHING | GRASA-2 | 1 GREASE FOR GUIDE PIN |
| RW-2996 | 1 RETAINING RING (FOR G | 40041 | 2 GUIDE PIN | 30046-G | Ø8,4 |
| 30030-G | Ø16 | 80112.70 | 2 O-RING | 1874 | 2 PIN BUSHING |
| 2334 | 1 PIN BUSHING | 65 | 1841 | 40052 | 2 GUIDE PIN |
| 2426 | 1 PLASTIC CAP | 714 | GRASA-2 | TR-4 | 2 SCREW |
| 2439 | 1 PIN BUSHING | 625 | 1 GREASE FOR GUIDE PIN | GRASA-2 | 1 GREASE FOR GUIDE PIN |
| 40035 | 1 GUIDE PIN | 30039-G | Ø9,8 | 30047-G | Ø8 |
| GRASA-2 | 1 GREASE FOR GUIDE PIN | 2458 | 2 PIN BUSHING | 1547 | 2 PIN BUSHING |
| 30031-G | Ø16 | TR-5 | 2 SCREW | 40053 | 2 GUIDE PIN |
| 2426 | 2 PLASTIC CAP | 601 | 2349 | TR-5 | 2 SCREW |
| 2212 | 1 PIN BUSHING | 519 | 40009 | GRASA-2 | 1 GREASE FOR GUIDE PIN |
| 2382 | 1 PIN BUSHING | 625 | 1 GUIDE PIN | 30048-G | Ø8 |
| 2384 | 1 PIN BUSHING | 628 | 40010 | 40046 | 2 GUIDE PIN |
| 40034 | 1 GUIDE PIN | GRASA-2 | 1 GREASE FOR GUIDE PIN | 8242 | 2 PIN BUSHING |
| 40035 | 1 GUIDE PIN | 30040-G | Ø8,2 | TR-5 | 2 SCREW |
| 40110 | 1 GUIDE PIN | 2465 | 2 PIN BUSHING | GRASA-2 | 1 GREASE FOR GUIDE PIN |
| GRASA-2 | 1 GREASE FOR GUIDE PIN | 2232 | 1 SEAL FOR GUIDE | 30049-G | Ø8,5 |
| 30032-G | Ø18 | 40042 | 1 GUIDE PIN | 834 | 2 PIN BUSHING |
| 2434 | 2 PIN BUSHING | 40043 | 1 GUIDE PIN | 40001 | 1 GUIDE PIN |
| 2443 | 2 CAP | GRASA-2 | 1 GREASE FOR GUIDE PIN | 40054 | 1 GUIDE PIN |
| 40037 | 2 GUIDE PIN | 30041-G | Ø10 | GRASA-2 | 1 GREASE FOR GUIDE PIN |
| TR-8 | 2 SCREW | 1874 | 2 PIN BUSHING | TR-4 | 1 SCREW |
| GRASA-2 | 1 GREASE FOR GUIDE PIN | 645 | 40067 | | |
| | | | TR-4 | | |
| | | | 2 SCREW | | |
| | | | GRASA-2 | | |
| | | | 1 GREASE FOR GUIDE PIN | | |



REPAIR KITS COMPOSITION

| | | | | | | | | | |
|----------------|------------------------|----------------|----------------|------------------------|----------------|------------------------|-------------------------|---------------|-----|
| 30095-G | Ø12 | 30103-G | Ø14 | 30111-G | Ø16 | | | | |
| 1895 | 2 PLASTIC CAP | 723 | 2048 | 2 PIN BUSHING | 608 | | | | |
| 2459 | 2 PIN BUSHING | 619 | 40140 | 2 GUIDE PIN | 627 | | | | |
| 40089 | 2 GUIDE PIN | | GRASA-2 | 1 GREASE FOR GUIDE PIN | | | | | |
| GRASA-2 | 1 GREASE FOR GUIDE PIN | | | | | | | | |
| 30096-G | Ø12 | 30104-G | Ø14 | 30112-G | Ø16 | | | | |
| 40093 | 2 GUIDE PIN | 2056 | 2 PIN BUSHING | 603 | 2335 | 2 PIN BUSHING | 625 | | |
| 8190 | 2 PIN BUSHING | 601 | 2352 | 1 PIN BUSHING | 604 | RW-3052 | 2 BUSHING | | |
| TR-11 | 2 SCREW | | 40057 | 1 GUIDE PIN | | 40114 | 1 GUIDE PIN | | |
| GRASA-2 | 1 GREASE FOR GUIDE PIN | | 40097 | 1 GUIDE PIN | | GRASA-2 | 1 GREASE FOR GUIDE PIN | | |
| 30097-G | Ø13 | 30105-G | Ø15 | 30113-G | Ø16 | | | | |
| 1513 | 1 BOOT | 642 | 2215 | 1 PIN BUSHING | 627 | 2314 | 4 PIN BUSHING | 608 | |
| 2056 | 1 PIN BUSHING | 603 | 2272 | 1 BOOT | 236 | 40130 | 1 GUIDE PIN | | |
| 2352 | 1 PIN BUSHING | 604 | 40100 | 1 GUIDE PIN | | 40131 | 1 GUIDE PIN | | |
| 40030 | 1 GUIDE PIN | | GRASA-2 | 1 GREASE FOR GUIDE PIN | | GRASA-2 | 1 GREASE FOR GUIDE PIN | | |
| GRASA-2 | 1 GREASE FOR GUIDE PIN | | RW-3050 | 1 CAP | | 30114-G | Ø16 | | |
| 30098-G | Ø13 | 30106-G | Ø15 | 2269 | 4 PIN BUSHING | 602 | 40105 | 1 GUIDE PIN | |
| 2061 | 1 PIN BUSHING | 627 | 1851 | 4 PIN BUSHING | 602 | 40112 | 1 GUIDE PIN | | |
| 2273 | 1 PIN BUSHING | 630 | 40102 | 1 GUIDE PIN | | GRASA-2 | 1 GREASE FOR GUIDE PIN | | |
| 40030 | 1 GUIDE PIN | | 40103 | 1 GUIDE PIN | | RW-3044 | 1 GUIDE PIN (COLLAR) | | |
| GRASA-2 | 1 GREASE FOR GUIDE PIN | | GRASA-2 | 1 GREASE FOR GUIDE PIN | | RW-3045 | 1 GUIDE PIN (COLLAR) | | |
| RW-3050 | 1 CAP | | 30107-G | Ø15 | 30115-G | Ø16 | 2384 | 1 PIN BUSHING | 628 |
| 30099-G | Ø13 | 2047 | 1 BOOT | 633 | 2426 | 1 PLASTIC CAP | 714 | | |
| 2049 | 2 BOOT | 608 | 2215 | 1 PIN BUSHING | 627 | 2439 | 1 PIN BUSHING | 625 | |
| RW-3048 | 2 RETAINING RING | | 2406 | 1 PIN BUSHING | 635 | 40034 | 1 GUIDE PIN | | |
| 2256 | 1 PIN BUSHING | 627 | 40030 | 1 GUIDE PIN | | 40115 | 1 GUIDE PIN | | |
| 40095 | 1 GUIDE PIN | | 40101 | 1 GUIDE PIN | | GRASA-2 | 1 GREASE FOR GUIDE PIN | | |
| 40096 | 1 GUIDE PIN | | GRASA-2 | 1 GREASE FOR GUIDE PIN | | RW-2996 | 1 RETAINING RING (FOR G | | |
| GRASA-2 | 1 GREASE FOR GUIDE PIN | | 30108-G | Ø16 | 2314 | 2 PIN BUSHING | 608 | | |
| 30100-G | Ø13 | 2047 | 1 BOOT | 633 | 2257 | 1 PIN BUSHING | 627 | | |
| 2047 | 1 BOOT | 633 | 2215 | 1 PIN BUSHING | 627 | 40104 | 1 GUIDE PIN | | |
| 2048 | 1 PIN BUSHING | 627 | 2406 | 1 PIN BUSHING | 635 | 40111 | 1 GUIDE PIN | | |
| 2364 | 1 CAP | 731 | 40030 | 1 GUIDE PIN | | GRASA-2 | 1 GREASE FOR GUIDE PIN | | |
| 40029 | 1 GUIDE PIN | | 40101 | 1 GUIDE PIN | | 30109-G | Ø16 | | |
| 40030 | 1 GUIDE PIN | | GRASA-2 | 1 GREASE FOR GUIDE PIN | | 2336 | 2 PIN BUSHING | 625 | |
| GRASA-2 | 1 GREASE FOR GUIDE PIN | | 30109-G | Ø16 | 2257 | 1 PIN BUSHING | 627 | | |
| RW-3043 | 1 STEEL CAP | | 2336 | 2 PIN BUSHING | 625 | 40106 | 1 GUIDE PIN | | |
| 30101-G | Ø13 | 2215 | 1 PIN BUSHING | 627 | 40109 | 1 GUIDE PIN | | | |
| 2215 | 1 PIN BUSHING | 627 | 40106 | 1 GUIDE PIN | | GRASA-2 | 1 GREASE FOR GUIDE PIN | | |
| 2270 | 1 PIN BUSHING | 620 | 40113 | 1 GUIDE PIN | | RW-3041 | 1 PLASTIC RING | | |
| 2364 | 1 CAP | 731 | GRASA-2 | 1 GREASE FOR GUIDE PIN | | TR-16 | 1 SCREW | | |
| 40030 | 1 GUIDE PIN | | 30110-G | Ø16 | 30117-G | Ø18 | 40116 | 2 GUIDE PIN | |
| GRASA-2 | 1 GREASE FOR GUIDE PIN | | 2059 | 4 CALIPER BOOT | 614 | 8309 | 2 PIN BUSHING | 650 | |
| 30102-G | Ø14 | 40105 | 2 GUIDE PIN | | GRASA-2 | 1 GREASE FOR GUIDE PIN | | | |
| 2407 | 1 PIN BUSHING | 630 | GRASA-2 | 1 GREASE FOR GUIDE PIN | | | | | |
| 2435 | 1 PIN BUSHING | 639 | | | | | | | |
| 40098 | 1 GUIDE PIN | | | | | | | | |
| GRASA-2 | 1 GREASE FOR GUIDE PIN | | | | | | | | |



REPAIR KITS COMPOSITION



| | | | | | | | | |
|----------------|------------------------|----------------|----------------|------------------------|----------------|----------------|------------------------|-----|
| 30118-G | Ø20 | 30124-G | Ø22 | 30131-G | Ø13 | | | |
| 2337 | 2 PIN BUSHING | 625 | 2070 | 1 PIN BUSHING | 618 | | | |
| 2440 | 1 PIN BUSHING | 627 | 2380 | 1 PIN BUSHING | 614 | | | |
| 40106 | 1 GUIDE PIN | | 2381 | 1 HARD GUIDE BOOT | 622 | | | |
| 40118 | 1 GUIDE PIN | | 40025 | 1 GUIDE PIN | | | | |
| GRASA-2 | 1 GREASE FOR GUIDE PIN | | 40123 | 1 GUIDE PIN | | | | |
| RW-3010 | 1 BUSHING | | GRASA-2 | 1 GREASE FOR GUIDE PIN | | | | |
| TR-14 | 1 SCREW | | 30125-G | Ø22 | 30132-G | Ø15 | | |
| TR-9 | 1 SCREW | | 2423 | 2 PIN BUSHING | 624 | 2215 | 1 PIN BUSHING | 627 |
| 30119-G | Ø20 | | RW-3038 | 2 RETAINING RING | | 2272 | 1 BOOT | 236 |
| 2314 | 2 PIN BUSHING | 608 | 2213 | 1 PIN BUSHING | 615 | 40101 | 1 GUIDE PIN | |
| 2257 | 1 PIN BUSHING | 627 | 40094 | 1 GUIDE PIN | | GRASA-2 | 1 GREASE FOR GUIDE PIN | |
| 40104 | 1 GUIDE PIN | | 40124 | 1 GUIDE PIN | | RW-3043 | 1 STEEL CAP | |
| 40107 | 1 GUIDE PIN | | 8173 | 1 PLASTIC CAP | 723 | 30133-G | Ø15 | |
| GRASA-2 | 1 GREASE FOR GUIDE PIN | | GRASA-2 | 1 GREASE FOR GUIDE PIN | | 2272 | 1 BOOT | 236 |
| 30120-G | Ø20 | | 30126-G | Ø22 | | 2345 | 1 PIN BUSHING | 632 |
| 1882 | 2 PIN BUSHING | 624 | 1837 | 2 PIN BUSHING | 636 | 2346 | 1 PIN BUSHING | 603 |
| RW-3049 | 2 RETAINING RING | | 2071 | 1 PIN BUSHING | 618 | 40101 | 1 GUIDE PIN | |
| 2213 | 1 PIN BUSHING | 615 | 40084 | 1 GUIDE PIN | | RW-3050 | 1 CAP | |
| 40094 | 1 GUIDE PIN | | 40121 | 1 GUIDE PIN | | 30134-G | Ø11 | |
| 40125 | 1 GUIDE PIN | | GRASA-2 | 1 GREASE FOR GUIDE PIN | | 2350 | 2 PIN BUSHING | 651 |
| 8173 | 1 PLASTIC CAP | 723 | TR-13 | 1 SCREW | | TR-10 | 2 SCREW | |
| GRASA-2 | 1 GREASE FOR GUIDE PIN | | 30127-G | Ø22 | | 40154 | 1 GUIDE PIN | |
| 30121-G | Ø20 | | 1837 | 2 PIN BUSHING | 636 | 40155 | 1 GUIDE PIN | |
| 892 | 4 PIN BUSHING | 622 | 2071 | 1 PIN BUSHING | 618 | GRASA-2 | 1 GREASE FOR GUIDE PIN | |
| 40120 | 2 GUIDE PIN | | 40084 | 1 GUIDE PIN | | 30135-G | Ø10 | |
| 80112.70 | 2 O-RING | 65 | 40122 | 1 GUIDE PIN | | 2353 | 2 PIN BUSHING | 655 |
| GRASA-2 | 1 GREASE FOR GUIDE PIN | | GRASA-2 | 1 GREASE FOR GUIDE PIN | | TR-5 | 2 SCREW | |
| 30122-G | Ø20 | | TR-13 | 1 SCREW | | 40150 | 1 GUIDE PIN | |
| 2337 | 2 PIN BUSHING | 625 | 30128-G | Ø8 | | 40151 | 1 GUIDE PIN | |
| RW-3010 | 2 BUSHING | | 8243 | 2 PIN BUSHING | 601 | GRASA-2 | 1 GREASE FOR GUIDE PIN | |
| 1841 | 1 BLEEDER CAP | 718 | TR-5 | 2 SCREW | | 30136-G | Ø10 | |
| 40119 | 1 GUIDE PIN | | 40045 | 1 GUIDE PIN | | 1885 | 2 PIN BUSHING | 604 |
| GRASA-2 | 1 GREASE FOR GUIDE PIN | | 40046 | 1 GUIDE PIN | | 40152 | 2 GUIDE PIN | |
| PS-3 | 1 BOLT | | GRASA-2 | 1 GREASE FOR GUIDE PIN | | TR-5 | 2 SCREW | |
| PS-4 | 1 HAIR PIN CLIP | | 30129-G | Ø10 | | GRASA-2 | 1 GREASE FOR GUIDE PIN | |
| RW-3011 | 1 PIN CLIP | | 2458 | 2 PIN BUSHING | 601 | 30137-G | Ø8 | |
| TR-9 | 1 SCREW | | TR-5 | 2 SCREW | | 1547 | 2 PIN BUSHING | 604 |
| 30123-G | Ø20 | | 40133 | 1 GUIDE PIN | | 40053 | 1 GUIDE PIN | |
| 1542 | 4 CALIPER BOOT | 614 | 40134 | 1 GUIDE PIN | | 40148 | 1 GUIDE PIN | |
| 40117 | 2 GUIDE PIN | | 8241 | 1 SEAL FOR GUIDE | 519 | G-64 | 1 SEAL FOR GUIDE | 518 |
| 80112.70 | 2 O-RING | 65 | GRASA-2 | 1 GREASE FOR GUIDE PIN | | GRASA-2 | 1 GREASE FOR GUIDE PIN | |
| RW-3009 | 2 HEAT SHIELD | | 30130-G | Ø12 | | 30138-G | Ø9 | |
| 1841 | 1 BLEEDER CAP | 718 | 8251 | 2 PIN BUSHING | 601 | 2336 | 2 PIN BUSHING | 625 |
| GRASA-2 | 1 GREASE FOR GUIDE PIN | | 40091 | 1 GUIDE PIN | | G-67 | 1 BOOT | |
| | | | 40092 | 1 GUIDE PIN | | TR-14 | 1 SCREW | |
| | | | 8261 | 1 SEAL FOR GUIDE | 518 | TR-20 | 1 SCREW | |
| | | | GRASA-2 | 1 GREASE FOR GUIDE PIN | | | | |



REPAIR KITS COMPOSITION



| | | | | | | |
|----------------|------------------------|----------------|----------------|------------------------|----------------|------------|
| 30139-G | Ø10 | 30146-G | Ø11 | 30154-G | Ø10 | |
| 2373 | 2 PIN BUSHING | 630 | 2348 | 2 PIN BUSHING | 601 | |
| 8201 | 2 SEAL FOR GUIDE | 518 | 40137 | 1 GUIDE PIN | | |
| TR-5 | 2 SCREW | | 40138 | 1 GUIDE PIN | | |
| 40064 | 1 GUIDE PIN | | 8062 | 1 SEAL FOR GUIDE | 518 | |
| 40071 | 1 GUIDE PIN | | GRASA-2 | 1 GREASE FOR GUIDE PIN | | |
| GRASA-2 | 1 GREASE FOR GUIDE PIN | | | | | |
| 30140-G | Ø10 | 30147-G | Ø11 | 30155-G | Ø10 | |
| 8374 | 2 PIN BUSHING | | 2049 | 1 BOOT | 608 | |
| TR-5 | 2 SCREW | | 2050 | 1 BOOT | 617 | |
| 2429 | 1 SEAL FOR GUIDE | 516 | 40060 | 1 GUIDE PIN | | |
| 40135 | 1 GUIDE PIN | | 40153 | 1 GUIDE PIN | | |
| 40136 | 1 GUIDE PIN | | GRASA-2 | 1 GREASE FOR GUIDE PIN | | |
| GRASA-2 | 1 GREASE FOR GUIDE PIN | | | | | |
| 30141-G | Ø10 | 30148-G | Ø16 | 30156-G | Ø10 | |
| 834 | 2 PIN BUSHING | 605 | 40145 | 2 GUIDE PIN | | |
| TR-4 | 2 SCREW | | 8168 | 2 PIN BUSHING | 619 | |
| 40156 | 1 GUIDE PIN | | 8214 | 2 PLASTIC CAP | 723 | |
| 40158 | 1 GUIDE PIN | | GRASA-2 | 1 GREASE FOR GUIDE PIN | | |
| GRASA-2 | 1 GREASE FOR GUIDE PIN | | | | | |
| 30142-G | Ø10 | 30149-G | Ø8 | 30157-G | Ø10 | |
| 2352 | 2 PIN BUSHING | 604 | 1885 | 2 PIN BUSHING | 604 | |
| 40161 | 2 GUIDE PIN | | TR-5 | 2 SCREW | | |
| TR-5 | 2 SCREW | | 40162 | 1 GUIDE PIN | | |
| GRASA-2 | 1 GREASE FOR GUIDE PIN | | 40163 | 1 GUIDE PIN | | |
| | | | GRASA-2 | 1 GREASE FOR GUIDE PIN | | |
| 30143-G | Ø10 | 30150-G | Ø8 | 30158-G | Ø10 | |
| 2456 | 2 SEAL FOR GUIDE | 616 | 2398 | 2 PIN BUSHING | 634 | |
| 2457 | 2 PIN BUSHING | 604 | 40164 | 2 GUIDE PIN | | |
| 40065 | 2 GUIDE PIN | | TR-5 | 2 SCREW | | |
| 40144 | 2 GUIDE PIN | | GRASA-2 | 1 GREASE FOR GUIDE PIN | | |
| TR-5 | 2 SCREW | | | | | |
| GRASA-2 | 1 GREASE FOR GUIDE PIN | | 30151-G | Ø9 | 30159-G | Ø10 |
| 30144-G | Ø10 | 30152-G | Ø10 | 8243 | 2 PIN BUSHING | 601 |
| 1885 | 2 PIN BUSHING | 604 | G-70 | 2 BOOT | | |
| TR-5 | 2 SCREW | | TR-4 | 2 SCREW | | |
| 40152 | 1 GUIDE PIN | | 2456 | 1 SEAL FOR GUIDE | 616 | |
| 40160 | 1 GUIDE PIN | | 40067 | 1 GUIDE PIN | | |
| 8151 | 1 SEAL FOR GUIDE | 518 | 40165 | 1 GUIDE PIN | | |
| GRASA-2 | 1 GREASE FOR GUIDE PIN | | | | | |
| 30145-G | Ø10 | 30153-G | Ø10 | 30160-G | Ø10 | |
| 8243 | 2 PIN BUSHING | 601 | 2458 | 2 PIN BUSHING | 601 | |
| TR-5 | 2 SCREW | | TR-5 | 2 SCREW | | |
| 2349 | 1 SEAL FOR GUIDE | 519 | 2349 | 1 SEAL FOR GUIDE | 519 | |
| 40142 | 1 GUIDE PIN | | 40009 | 1 GUIDE PIN | | |
| 40149 | 1 GUIDE PIN | | 40065 | 1 GUIDE PIN | | |
| GRASA-2 | 1 GREASE FOR GUIDE PIN | | GRASA-2 | 1 GREASE FOR GUIDE PIN | | |
| | | | 30161-G | Ø10 | | |
| | | | 2056 | 2 PIN BUSHING | 603 | |
| | | | 40161 | 2 GUIDE PIN | | |
| | | | TR-5 | 2 SCREW | | |
| | | | GRASA-2 | 1 GREASE FOR GUIDE PIN | | |



REPAIR KITS COMPOSITION



30162-G Ø11

| | | | |
|---------|---|----------------------|-----|
| 1885 | 2 | PIN BUSHING | 604 |
| TR-5 | 2 | SCREW | |
| 40157 | 1 | GUIDE PIN | |
| 40169 | 1 | GUIDE PIN | |
| 8226 | 1 | SEAL FOR GUIDE | 518 |
| GRASA-2 | 1 | GREASE FOR GUIDE PIN | |

30163-G Ø11

| | | | |
|---------|---|----------------------|-----|
| 1885 | 2 | PIN BUSHING | 604 |
| 40169 | 2 | GUIDE PIN | |
| TR-5 | 2 | SCREW | |
| GRASA-2 | 1 | GREASE FOR GUIDE PIN | |

30164-G Ø11

| | | | |
|---------|---|----------------------|-----|
| 8165 | 2 | PIN BUSHING | 634 |
| TR-5 | 2 | SCREW | |
| 2351 | 1 | SEAL FOR GUIDE | 519 |
| 40020 | 1 | GUIDE PIN | |
| 40171 | 1 | GUIDE PIN | |
| GRASA-2 | 1 | GREASE FOR GUIDE PIN | |

30165-G Ø13

| | | | |
|---------|---|----------------------|-----|
| 1851 | 2 | PIN BUSHING | 602 |
| 1853 | 1 | PIN BUSHING | 652 |
| 2359 | 1 | CAP | 730 |
| 40172 | 1 | GUIDE PIN | |
| 40174 | 1 | GUIDE PIN | |
| GRASA-2 | 1 | GREASE FOR GUIDE PIN | |

30166-G Ø14

| | | | |
|---------|---|----------------------|-----|
| 1506 | 2 | PIN BUSHING | 604 |
| TR-10 | 2 | SCREW | |
| 2421 | 1 | SEAL FOR GUIDE | 517 |
| 40146 | 1 | GUIDE PIN | |
| 40147 | 1 | GUIDE PIN | |
| GRASA-2 | 1 | GREASE FOR GUIDE PIN | |

30167-G Ø14

| | | | |
|---------|---|----------------------|-----|
| 1506 | 2 | PIN BUSHING | 604 |
| TR-10 | 2 | SCREW | |
| 40143 | 1 | GUIDE PIN | |
| 40173 | 1 | GUIDE PIN | |
| 8375 | 1 | SEAL FOR GUIDE | 518 |
| GRASA-2 | 1 | GREASE FOR GUIDE PIN | |



REPAIR KITS & THEIR APPLICATIONS



| | | |
|----------------|----------------------|---|
| 2517-G | LAND ROVER | 88 - 109 |
| | SANTANA - LAND ROVER | LAND - ROVER 88 |
| 2529-G | SEAT | 600 |
| 2530-G | LAND ROVER | 88 - 109 |
| | LAND ROVER | 90 - 110 |
| | ROVER | 2.300 - 2.400 - 2.600 - 3.500 |
| | ROVER | TRIUMPH |
| | SANTANA - LAND ROVER | LAND - ROVER 109 - CAZORLA |
| | SANTANA - LAND ROVER | LAND - ROVER 2.000 |
| | SANTANA - LAND ROVER | LAND - ROVER 2.500 - 3.500 |
| | SANTANA - LAND ROVER | LAND - ROVER 88 |
| 2539-GV | PEUGEOT | 404 |
| | RENAULT | R4 |
| 2542-GV | MAN | 11 → 34 SERIES |
| | MAN | 400 - 2.000 SERIES |
| | MAN | 6 → 10 SERIES |
| 2543-G | TALBOT | SIMCA 900 - 1000 |
| 2548-G | LADA | 2101 - 2102 - 2103 - 2104 - 2105 - 2106 |
| | LADA | NIVA (2121) |
| 2557-G | SEAT | 600 |
| 2573-G | ARO | 240 - 244 |
| | LAND ROVER | 88 - 109 |
| | SANTANA - LAND ROVER | LAND - ROVER 88 |
| 2574-G | LAND ROVER | 88 - 109 |
| | SANTANA - LAND ROVER | LAND - ROVER 88 |
| 2584-G | NISSAN - DATSUN | A10 |
| | NISSAN - DATSUN | DATSUN 100 - 2.200D SERIES |
| 2587-G | SEAT | 600 |
| 2588-G | SEAT | 600 |
| 2594-G | PEUGEOT | 104 |
| | RENAULT | R4 |
| 2595-G | CITROËN | 2CV - DYANE - C8 - MEHARI |
| | RENAULT | ESTAFETTE |
| | RENAULT | R4 |
| | RENAULT | R5 - R6 |
| | SKODA | RAPID |
| | SKODA | S100 - 105 - 110 - 120 - 130 - 136 |
| 2596-G | CITROËN | 2CV - DYANE - C8 - MEHARI |
| | PEUGEOT | 404 |
| | PEUGEOT | J7 - J9 |
| | RENAULT | ESTAFETTE |
| 2597-G | SANTANA - LAND ROVER | LAND - ROVER 109 - CAZORLA |
| | SANTANA - LAND ROVER | LAND - ROVER 2.000 |
| 2598-G | ARO | 240 - 244 |
| | LAND ROVER | 88 - 109 |
| | SANTANA - LAND ROVER | LAND - ROVER 109 - CAZORLA |
| 2599-G | IVECO | ZETA |
| 2600-G | AVIA | CAMION AR 1.500 - 2.000 - 2.500 |
| 2602-G | CITROËN | C15 |
| | CITROËN | H - HZ - HY |
| | MERCEDES | L206DG - L207 (BM605-606-607-608) |
| | MITSUBISHI | CENTURA |
| | PEUGEOT | 404 |
| | PEUGEOT | 504 |
| | PEUGEOT | 505 |
| | RENAULT | ESTAFETTE |

| | | |
|---------------|-----------------|---|
| | RENAULT | R12 |
| | RENAULT | R16 |
| | RENAULT | R17 |
| | RENAULT | R18 |
| | SEAT | 124 - 128 - 1200 - 1430 - D - SPORT |
| 2603-G | ENASA | SAVA J4 - LDO - 5 |
| 2604-G | ENASA | SAVA J4 - LDO - 5 |
| 2605-G | FIAT | 126 - 127 - 128 |
| | FIAT | CINQUECENTO |
| | FIAT | FIORINO |
| | FIAT | PANDA - MARBELLA |
| | FIAT | REGATA |
| | FIAT | RITMO - NUOVA |
| | FIAT | UNO |
| | LADA | 2101 - 2102 - 2103 - 2104 - 2105 - 2106 |
| | LADA | NIVA (2121) |
| | LANCIA | DELTA - PRISMA |
| | LANCIA | Y10 - A112 - FIRE LX |
| | POLSKI | 125 - 126 |
| | SEAT | 124 - 128 - 1200 - 1430 - D - SPORT |
| | SEAT | 127 - FURA |
| | ZASTAVA - YUGO | 101 - CONTACT - NOGARO - YUGO |
| 2606-G | FIAT | ARGENTA - NUOVA |
| | IVECO | DAILY (II SERIES) 01-90→05-99 |
| | SEAT | 124 - 128 - 1200 - 1430 - D - SPORT |
| | SEAT | PANDA TRANS - TERRA - MARBELLA |
| 2607-G | MERCEDES | N-1000 - N-1300 |
| 2608-G | MERCEDES | N-1000 - N-1300 |
| 2613-G | NISSAN - DATSUN | EBRO D - E SERIES |
| 2614-G | NISSAN - DATSUN | EBRO D - E SERIES |
| 2615-G | AUTHI MORRIS | MINI |
| | DAF | V200 FREIGHT - SHERPA |
| | FORD | TRANSIT (II SERIES) 78→86 |
| | ROVER | MINI 850 - 1.000 - 1300 |
| | ROVER | TRIUMPH |
| | SAAB | 95 - 96 |
| 2616-G | AUTHI MORRIS | MINI |
| | ROVER | MINI 850 - 1.000 - 1300 |
| | ROVER | TRIUMPH |
| 2618-G | RENAULT | R8 - R10 |
| 2627-G | CITROËN | 2CV - DYANE - C8 - MEHARI |
| 2633-G | FIAT | 850 |
| | FIAT | 900 |
| 2634-G | SEAT | 1500 |
| 2637-G | RENAULT | R12 |
| | RENAULT | R14 |
| | RENAULT | R18 |
| | RENAULT | R4 |
| | RENAULT | R8 - R10 |
| | RENAULT | R9 - R11 |
| 2640-G | TALBOT | SIMCA 1200 - 1100 |
| 2643-G | BMW | 3 SERIES (E21) 75→82 |
| | BMW | 3 SERIES (E30) 83→ |
| | FORD | ESCORT - ORION |
| | FORD | TAUNUS |

MANUFACTURAS WRAKYNSON

www.wrakynson.com

Page 472 of 822



REPAIR KITS & THEIR APPLICATIONS



| | | |
|---------------|---|---|
| 2643-G | HONDA ISUZU LADA LADA LADA LADA MAZDA OPEL OPEL OPEL PEUGEOT PEUGEOT ROVER TALBOT TOYOTA VOLVO | CIVIC (I SERIES) GEMINI 1200 - 1300 - 1500 - 1600 2101 - 2102 - 2103 - 2104 - 2105 - 2106 NOVA RIVA 1.3 - 1.6 - 1.8 ASCONA - MANTA KADETT REKORD 204 304 MARINA HORIZON CORONA 340 - 360 |
| 2646-G | WILLYS | FURGON - JEEP COMANDO |
| 2647-G | WILLYS | FURGON - JEEP COMANDO |
| 2658-G | CITROËN | 2CV - DYANE - C8 - MEHARI |
| 2659-G | CITROËN CITROËN CITROËN | 2CV - DYANE - C8 - MEHARI C32 - C35 GS |
| 2660-G | CITROËN CITROËN CITROËN | BX CX GS |
| 2661-G | CITROËN | GS |
| 2664-G | MERCEDES PORSCHE | T2-L (BM309-310) 1-68→12-88 924 |
| 2670-G | CITROËN PEUGEOT RENAULT RENAULT RENAULT TALBOT | VISA - LNA 104 R4 R5 - R6 R8 - R10 SAMBA |
| 2671-G | RENAULT RENAULT | R4 R5 - R6 |
| 2673-G | RENAULT | R8 - R10 |
| 2674-G | CHEVROLET DAEWOO JEEP JEEP PEUGEOT PEUGEOT PEUGEOT RENAULT TALBOT | NUBIRA NUBIRA CHEROKEE WRANGLER 305 404 405 R12 HORIZON |
| 2675-G | ALFA ROMEO ALFA ROMEO CITROËN FIAT FIAT FIAT FIAT FIAT FIAT FORD | 33 ARNA VISA - LNA 126 - 127 - 128 PANDA - MARBELLA REGATA RITMO - NUOVA UNO X 1-9 FIESTA |

| | | |
|----------------|--|---|
| | LANCIA POLSKI POLSKI POLSKI RENAULT SEAT SEAT SEAT SEAT ZASTAVA - YUGO | Y10 - A112 - FIRE LX 125 - 126 127 - 132 POLONEZ R5 - R6 124 - 128 - 1200 - 1430 - D - SPORT IBIZA MALAGA PANDA TRANS - TERRA - MARBELLA 101 - CONTACT - NOGARO - YUGO |
| 2679-G | FIAT FIAT FIAT LANCIA SEAT | 126 - 127 - 128 FIORINO X 1-9 Y10 - A112 - FIRE LX 127 - FURA |
| 2684-G | FIAT FIAT FIAT POLSKI POLSKI POLSKI SEAT | 124 ARGENTA - NUOVA X 1-9 125 - 126 127 - 132 POLONEZ 124 - 128 - 1200 - 1430 - D - SPORT |
| 2693-G | DAF ROVER | V200 FREIGHT - SHERPA MINI 850 - 1.000 - 1300 |
| 2703-GV | MERCEDES | N-1000 - N-1300 |
| 2704-G | MERCEDES | N-1000 - N-1300 |
| 2705-G | FORD LAND ROVER LAND ROVER LAND ROVER ROVER ROVER SANTANA - LAND ROVER SANTANA - LAND ROVER SANTANA - LAND ROVER SANTANA - LAND ROVER | CORTINA 88 - 109 90 - 110 DEFENDER 2.300 - 2.400 - 2.600 - 3.500 TRIUMPH LAND - ROVER 109 - CAZORLA LAND - ROVER 2.000 LAND - ROVER 2.500 - 3.500 LAND - ROVER 88 |
| 2706-G | CITROËN | 2CV - DYANE - C8 - MEHARI |
| 2711-G | AUTHI MORRIS | MINI |
| 2712-G | AUTHI MORRIS JAGUAR LAND ROVER | MINI XJ - XJS RANGE ROVER |
| 2713-G | AUTHI MORRIS JAGUAR ROVER ROVER | MINI XJ - XJS 800 SERIES MINI 850 - 1.000 - 1300 |
| 2714-GV | RENAULT RENAULT | R4 R8 - R10 |
| 2715-GV | ENASA | SAVA J4 - LDO - 5 |
| 2722-GV | CITROËN | 2CV - DYANE - C8 - MEHARI |
| 2731-G | FORD ROVER ROVER SAAB | CORTINA 2.300 - 2.400 - 2.600 - 3.500 TRIUMPH 99 |
| 2733-G | ENASA | SAVA J4 - LDO - 5 |
| 2738-G | TALBOT | SIMCA 1200 - 1100 |
| 2740-G | TALBOT | SIMCA 1200 - 1100 |

MANUFACTURAS WRACKYNSON

www.wrakynson.com

Page 473 of 822



REPAIR KITS & THEIR APPLICATIONS



| | | |
|----------------|--|--|
| 2743-G | AUTHI MORRIS ROVER | MINI MINI 850 - 1.000 - 1300 |
| 2745-G | WILLYS | FURGON - JEEP COMANDO |
| 2747-G | WILLYS | FURGON - JEEP COMANDO |
| 2751-G | AVIA AVIA | CAMION BO CAMION GI |
| 2757-G | CITROËN | 2CV - DYANE - C8 - MEHARI |
| 2758-G | CITROËN CITROËN | CX GS |
| 2762-G | MERCEDES | T2-L (BM309-310) 1-68→12-88 |
| 2766-GV | PEUGEOT RENAULT RENAULT RENAULT RENAULT RENAULT | 204 ESTAFETTE R12 R16 R4 R5 - R6 |
| 2772-G | LADA LADA | 2101 - 2102 - 2103 - 2104 - 2105 - 2106 NIVA (2121) |
| 2776-G | FIAT IVECO IVECO LADA LADA | X 1-9 DAILY (II SERIES) 01-90→05-99 ZETA 2101 - 2102 - 2103 - 2104 - 2105 - 2106 NIVA (2121) |
| 2780-G | TALBOT | SIMCA 900 - 1000 |
| 2789-G | AVIA AVIA | CAMION AR 1.500 - 2.000 - 2.500 CAMION GA - TGA 5.000 |
| 2790-G | WILLYS | FURGON - JEEP COMANDO |
| 2791-G | TALBOT | SIMCA 1200 - 1100 |
| 2797-G | SEAT SEAT SEAT SEAT | 124 - 128 - 1200 - 1430 - D - SPORT IBIZA PANDA TRANS - TERRA - MARBELLA RITMO - RONDA |
| 3001-G | SANTANA - LAND ROVER | LAND - ROVER 2.000 |
| 3002-G | LAND ROVER SANTANA - LAND ROVER | 88 - 109 LAND - ROVER 109 - CAZORLA |
| 3003-G | NISSAN - DATSUN | EBRO F-260 - F-275 |
| 3004-G | NISSAN - DATSUN | EBRO F-260 - F-275 |
| 3008-G | MERCEDES | N-1000 - N-1300 |
| 3009-G | NISSAN - DATSUN | EBRO D - E SERIES |
| 3010-G | FORD | FIESTA |
| 3011-G | FORD TALBOT | FIESTA SAMBA |
| 3013-G | FORD | FIESTA |
| 3014-G | SANTANA - LAND ROVER | LAND - ROVER 88 |
| 3015-G | SANTANA - LAND ROVER | LAND - ROVER 109 - CAZORLA |
| 3018-G | FIAT LANCIA POLSKI POLSKI ZASTAVA - YUGO | 132 BETA - TREVII 125 - 126 127 - 132 101 - CONTACT - NOGARO - YUGO |
| 3019-G | FIAT OPEL PEUGEOT PEUGEOT RENAULT | 126 - 127 - 128 KADETT 205 504 ESTAFETTE |

| | | |
|---------------|--|---|
| | RENAULT RENAULT | R18 R9 - R11 |
| 3021-G | FIAT | ARGENTA - NUOVA |
| 3023-G | TALBOT | HORIZON |
| 3024-G | MITSUBISHI TALBOT | CENTURA 160 - 180 - 2L |
| 3025-G | NISSAN - DATSUN | EBRO D - E SERIES |
| 3027-G | AVIA | CAMION GA - TGA 5.000 |
| 3028-G | NISSAN - DATSUN | EBRO SERIE PESADA |
| 3030-G | TALBOT TALBOT | HORIZON TALBOT 150 |
| 3031-G | BMW CITROËN CITROËN CITROËN CITROËN FORD FORD FORD FORD FORD FORD FORD FORD HYUNDAI LAND ROVER PEUGEOT PEUGEOT PEUGEOT PEUGEOT PEUGEOT PEUGEOT PEUGEOT PEUGEOT RENAULT RENAULT RENAULT ROVER VOLVO VOLVO | 3 SERIES (E30) 83→ SAXO VISA - LNA XSARA ZX CAPRI CORTINA ESCORT - ORION FOCUS C-MAX GRANADA - CONSUL MONDEO SIERRA TAUNUS SCOUPE FREELANDER 104 106 206 305 306 309 405 505 CLIO R19 - CHAMADE SUPER 5 MAESTRO 340 - 360 440 - 460 - 480 |
| 3034-G | MERCEDES NISSAN - DATSUN NISSAN - DATSUN | MB 100 (631) 81→97 EBRO F-260 - F-275 JEEP COMANDO |
| 3035-G | PEUGEOT PEUGEOT PEUGEOT PEUGEOT PEUGEOT PEUGEOT PEUGEOT PEUGEOT RENAULT U.M.M. | 204 304 404 504 505 604 J7 - J9 TRAFIC JABATO |
| 3036-G | PEUGEOT PEUGEOT PEUGEOT PEUGEOT PEUGEOT | 404 504 505 604 J7 - J9 |

MANUFACTURAS WRKYNSON

www.wrakynson.com

Page 474 of 822



REPAIR KITS & THEIR APPLICATIONS



| | | |
|---------------|-----------------|--|
| 3036-G | U.M.M. | JABATO |
| 3038-G | ALFA ROMEO | ALFASUD |
| | ALFA ROMEO | ALFASUD SPRINT |
| | CITROËN | VISA - LNA |
| | PEUGEOT | 104 |
| | PEUGEOT | 304 |
| | PEUGEOT | 305 |
| | RENAULT | ALPINE |
| | RENAULT | R12 |
| | RENAULT | R14 |
| | RENAULT | R15 |
| | RENAULT | R16 |
| | RENAULT | R17 |
| | RENAULT | R18 |
| | RENAULT | R5 - R6 |
| | TALBOT | SAMBA |
| 3039-G | CITROËN | 2CV - DYANE - C8 - MEHARI |
| | CITROËN | C15 |
| | CITROËN | VISA - LNA |
| | PEUGEOT | 504 |
| | RENAULT | R15 |
| | RENAULT | R16 |
| | RENAULT | R17 |
| | RENAULT | R4 |
| | RENAULT | R5 - R6 |
| 3040-G | PEUGEOT | 504 |
| | PEUGEOT | 505 |
| | RENAULT | ESPACE |
| | RENAULT | FUEGO |
| | RENAULT | R18 |
| | RENAULT | R20 |
| | RENAULT | R25 |
| | RENAULT | R30 |
| 3041-G | FORD | CAPRI |
| | FORD | CORTINA |
| | FORD | ESCORT - ORION |
| | FORD | P100 |
| | MERCEDES | UNIMOG 01-66→ |
| | NISSAN - DATSUN | 140 2TON TRUCK |
| | NISSAN - DATSUN | 200SX |
| | NISSAN - DATSUN | BLUEBIRD |
| | NISSAN - DATSUN | CEDRIC |
| | NISSAN - DATSUN | FAIRLADY |
| | NISSAN - DATSUN | LAUREL |
| | NISSAN - DATSUN | PICK-UP |
| | NISSAN - DATSUN | SILVIA |
| | NISSAN - DATSUN | SKYLINE |
| | PEUGEOT | 504 |
| | PEUGEOT | 505 |
| | ROVER | 2.300 - 2.400 - 2.600 - 3.500 |
| | TOYOTA | CHASER |
| | TOYOTA | CORONA |
| | TOYOTA | CROWN |
| | TOYOTA | HILUX |
| | VOLKSWAGEN | TRANSPORTER (II SERIES) 08-67→09-79 |
| 3042-G | FORD | FIESTA |

| | | |
|---------------|----------------------|---|
| | LADA | 2101 - 2102 - 2103 - 2104 - 2105 - 2106 |
| | PEUGEOT | 104 |
| | PEUGEOT | 204 |
| | PEUGEOT | 304 |
| | PEUGEOT | 305 |
| | PEUGEOT | 504 |
| | RENAULT | FUEGO |
| | RENAULT | R12 |
| | RENAULT | R14 |
| | RENAULT | R15 |
| | RENAULT | R16 |
| | RENAULT | R18 |
| | RENAULT | R5 - R6 |
| | ROVER | TRIUMPH |
| 3044-G | CITROËN | 2CV - DYANE - C8 - MEHARI |
| | FORD | FIESTA |
| 3045-G | FIAT | RITMO - NUOVA |
| | LANCIA | DELTA - PRISMA |
| | SEAT | IBIZA |
| | SEAT | MALAGA |
| | SEAT | RITMO - RONDA |
| 3046-G | CITROËN | 2CV - DYANE - C8 - MEHARI |
| 3047-G | CITROËN | 2CV - DYANE - C8 - MEHARI |
| 3049-G | FIAT | 126 - 127 - 128 |
| | FIAT | PANDA - MARBELLA |
| | SEAT | PANDA TRANS - TERRA - MARBELLA |
| 3050-G | PEUGEOT | 305 |
| | PEUGEOT | 505 |
| 3051-G | PEUGEOT | 505 |
| 3052-G | PEUGEOT | 505 |
| | TALBOT | HORIZON |
| 3053-G | RENAULT | R20 |
| | RENAULT | TRAFIC |
| 3055-G | ALFA ROMEO | AR |
| | CITROËN | C25 |
| | FIAT | DUCATO |
| | MERCEDES | MB 100 (631) 81→97 |
| | PEUGEOT | J5 |
| 3058-G | MERCEDES | MB 100 (631) 81→97 |
| | NISSAN - DATSUN | CABSTAR - ATLAS |
| | NISSAN - DATSUN | ECO |
| | RENAULT | MASTER |
| | RENAULT | R.V.I (RENAULT TRUCKS) |
| 3061-G | PEUGEOT | 404 |
| | PEUGEOT | J7 - J9 |
| | SANTANA - LAND ROVER | LAND - ROVER 109 - CAZORLA |
| 3062-G | ENASA | SAVA J4 - LDO - 5 |
| | FORD | CAPRI |
| 3063-G | BMW | 3 SERIES (E30) 83→ |
| | CITROËN | BERLINGO |
| | CITROËN | C25 |
| | CITROËN | XSARA |
| | FIAT | DUCATO |
| | FORD | ESCORT - ORION |
| | FORD | GRANADA - CONSUL |
| | FORD | MONDEO |

MANUFACTURAS WRKYNSON

www.wrakynson.com

Page 475 of 822



REPAIR KITS & THEIR APPLICATIONS



| | | |
|----------------|--|--|
| 3063-G | FORD HYUNDAI PEUGEOT PEUGEOT RENAULT RENAULT RENAULT SKODA SUZUKI SUZUKI | SIERRA H1 J5 PARTNER SPACE EXPRESS SAFRANE FELICIA SJ410 - SJ413 - SAMURAI VITARA - GRAND VITARA |
| 3064-G | LADA LADA SEAT SEAT SEAT | 2101 - 2102 - 2103 - 2104 - 2105 - 2106 NIVA (2121) 127 - FURA IBIZA RITMO - RONDA |
| 3066-GV | RENAULT RENAULT RENAULT | R16 R4 R5 - R6 |
| 3067-G | CITROËN CITROËN RENAULT | C15 VISA - LNA R8 - R10 |
| 3069-G | PEUGEOT PEUGEOT | 504 505 |
| 3071-G | FORD FORD HONDA HYUNDAI HYUNDAI MAZDA ROVER SKODA VOLVO | ESCORT - ORION FIESTA CIVIC (VII SERIES) ACCENT SONATA 121 MONTEGO FELICIA 340 - 360 |
| 3072-G | FORD FORD FORD FORD HYUNDAI HYUNDAI OPEL ROVER ROVER | CAPRI CORTINA ESCORT - ORION TAUNUS PONY - EXCEL STELLAR CORSA (A SERIES) METRO MONTEGO |
| 3073-G | ALFA ROMEO ALFA ROMEO ALFA ROMEO ALFA ROMEO ALFA ROMEO ALFA ROMEO ALFA ROMEO AUDI AUDI AUDI AUDI AUDI AUDI AUDI AUDI AUDI | 145 - 146 147 156 GT GTV SPIDER SPIDER 100 (C3 SERIES) 82→90 80 - 90 (B3 SERIES) 86→91 A1 A2 A3 (8L SERIES) 96→03 A3 (8P SERIES) 02→12 CABRIOLET COUPE |

| | | |
|---------------|--|---|
| AUDI | TT (8N SERIES) 98→06 | |
| BMW | 3 SERIES (E30) 83→ | |
| BMW | 3 SERIES (E36) 91→ | |
| BMW | 3 SERIES (E46) 9-98→ | |
| BMW | 5 SERIES (E28) 81→88 | |
| BMW | Z3 | |
| BMW | Z4 (E85) | |
| FIAT | BARCETTA | |
| FIAT | BRAVO - BRAVA | |
| FIAT | COUPE | |
| FIAT | DOBLO | |
| FIAT | MULTIPLA | |
| FIAT | PALIO | |
| FIAT | PUNTO (188 SERIES) | |
| FIAT | PUNTO (188 SERIES) | |
| FORD | COURIER | |
| FORD | ESCORT - ORION | |
| FORD | FIESTA | |
| FORD | P100 | |
| FORD | PUMA | |
| FORD | SIERRA | |
| KIA | SEPHIA | |
| KIA | SHUMA | |
| MAZDA | 121 | |
| OPEL | CALIBRA | |
| OPEL | CALIBRA | |
| OPEL | OMEGA | |
| OPEL | OMEGA | |
| OPEL | VECTRA | |
| OPEL | VECTRA | |
| PORSCHE | 928 | |
| SAAB | 900 | |
| SEAT | IBIZA | |
| SEAT | TOLEDO | |
| SKODA | FABIA | |
| SKODA | OCTAVIA | |
| TALBOT | 1510 | |
| TALBOT | SOLARA | |
| VOLKSWAGEN | GOLF (III SERIES) 08-91→07-98 | |
| VOLKSWAGEN | GOLF (IV SERIES) 08-97→06-05 | |
| VOLKSWAGEN | GOLF (V SERIES) 10-03→02-09 | |
| VOLKSWAGEN | GOLF (VI SERIES) 10-08→11-13 | |
| VOLKSWAGEN | GOLF PLUS 01-05→ | |
| VOLKSWAGEN | JETTA (III SERIES) 08-05→10-10 | |
| VOLKSWAGEN | PASSAT (3A2 - 35I - 3A5 - 35I) 02-88→12-97 | |
| VOLVO | 440 - 460 - 480 | |
| 3074-G | MERCEDES RENAULT RENAULT RENAULT | T1-TN (BM611) 6-81→ R14 R18 R9 - R11 |
| 3075-G | RENAULT RENAULT | R9 - R11 SUPER 5 |
| 3076-G | RENAULT RENAULT RENAULT RENAULT | CLIO EXPRESS R19 - CHAMADE R9 - R11 |

MANUFACTURAS WRAKYNSON

www.wrakynson.com

Page 476 of 822



REPAIR KITS & THEIR APPLICATIONS



| | | |
|---------------|-----------------|--|
| 3076-G | RENAULT | SUPER 5 |
| 3077-G | LANCIA | DELTA - PRISMA |
| | SAAB | 600 |
| | SEAT | IBIZA |
| | SEAT | PANDA TRANS - TERRA - MARBELLA |
| | SEAT | RITMO - RONDA |
| | SUZUKI | SJ410 - SJ413 - SAMURAI |
| 3078-G | CITROËN | C15 |
| | CITROËN | VISA - LNA |
| | PEUGEOT | 104 |
| | TALBOT | SAMBA |
| 3079-G | AUDI | 100 (C1 SERIES) 68→76 |
| | AUDI | 100 (C2 SERIES) 76→82 |
| | AUDI | COUPE |
| | CITROËN | VISA - LNA |
| | FIAT | 126 - 127 - 128 |
| | FIAT | UNO |
| | PEUGEOT | 104 |
| | PEUGEOT | 304 |
| | PEUGEOT | 305 |
| | PORSCHE | 924 |
| | RENAULT | R14 |
| | TALBOT | SAMBA |
| 3080-G | CITROËN | VISA - LNA |
| | PEUGEOT | 104 |
| | PEUGEOT | 204 |
| | PEUGEOT | 304 |
| | PEUGEOT | 309 |
| | PEUGEOT | 504 |
| | PEUGEOT | 505 |
| | RENAULT | EXPRESS |
| | RENAULT | FUEGO |
| | RENAULT | R12 |
| | RENAULT | R14 |
| | RENAULT | R16 |
| | RENAULT | R17 |
| | RENAULT | R18 |
| | RENAULT | R20 |
| | RENAULT | R21 - NEVADA |
| | RENAULT | R25 |
| | RENAULT | R30 |
| | RENAULT | R9 - R11 |
| | RENAULT | SUPER 5 |
| | TALBOT | SAMBA |
| 3082-G | NISSAN - DATSUN | EBRO F-L-M SERIRS NISSAN L-M SERIES |
| | NISSAN - DATSUN | TRADE |
| 3083-G | PEUGEOT | 504 |
| | U.M.M. | JABATO |
| 3084-G | AVIA | 1.600 - 2.000 - 2.600 |
| | NISSAN - DATSUN | F-350 - L-35 - L-60 |
| 3086-G | NISSAN - DATSUN | EBRO L-60 - L-80 |
| | NISSAN - DATSUN | F-350 - L-35 - L-60 |
| 3087-G | AVIA | 1.600 - 2.000 - 2.600 |
| | AVIA | 3.600 - 5.600 |
| | NISSAN - DATSUN | EBRO F-L-M SERIRS NISSAN L-M SERIES |

| | | |
|---------------|-----------------|---|
| | NISSAN - DATSUN | EBRO M-100 - M-125 |
| | NISSAN - DATSUN | L-110.14 - L-125.14 - L-130.17 |
| | NISSAN - DATSUN | TRADE |
| 3088-G | NISSAN - DATSUN | EBRO F-L-M SERIRS NISSAN L-M SERIES |
| | NISSAN - DATSUN | EBRO M-100 - M-125 |
| | NISSAN - DATSUN | L-110.14 - L-125.14 - L-130.17 |
| 3089-G | FORD | ESCORT - ORION |
| 3090-G | NISSAN - DATSUN | EBRO F-L-M SERIRS NISSAN L-M SERIES |
| 3094-G | NISSAN - DATSUN | EBRO M-100 - M-125 |
| 3095-G | NISSAN - DATSUN | EBRO M-100 - M-125 |
| 3096-G | NISSAN - DATSUN | EBRO M-100 - M-125 |
| 3097-G | DAEWOO | RACER - TICO |
| | OPEL | ASCONA - MANTA |
| | OPEL | COMBO |
| | OPEL | CORSA (A SERIES) |
| | OPEL | KADETT |
| | OPEL | REKORD |
| 3098-G | CITROËN | C15 |
| | CITROËN | VISA - LNA |
| 3099-G | CITROËN | C15 |
| | CITROËN | VISA - LNA |
| | PEUGEOT | 104 |
| 3100-G | CITROËN | C15 |
| | CITROËN | VISA - LNA |
| 3101-G | CITROËN | VISA - LNA |
| | ISUZU | FASTER (PICK-UP - KB - KBG - KBD) |
| | PEUGEOT | 104 |
| | RENAULT | R4 |
| | RENAULT | R5 - R6 |
| 3103-G | CITROËN | BX |
| 3104-G | FORD | ESCORT - ORION |
| | FORD | FIESTA |
| | PEUGEOT | 604 |
| 3105-G | FORD | FIESTA |
| | FORD | SIERRA |
| | SAAB | 900 |
| | SAAB | 9000 |
| 3107-G | RENAULT | FUEGO |
| | RENAULT | R18 |
| | RENAULT | R21 - NEVADA |
| | RENAULT | R9 - R11 |
| 3108-G | SEAT | 124 - 128 - 1200 - 1430 - D - SPORT 127 - FURA |
| | SEAT | PANDA TRANS - TERRA - MARBELLA |
| | SEAT | RITMO - RONDA |
| 3109-G | SEAT | RITMO - RONDA |
| 3110-G | ENASA | SAVA J4 - LDO - 5 |
| 3112-G | OPEL | ASCONA - MANTA |
| | OPEL | CORSA (A SERIES) |
| | OPEL | KADETT |
| 3114-G | CITROËN | 2CV - DYANE - C8 - MEHARI |
| | PEUGEOT | 404 |
| 3115-G | OPEL | ASCONA - MANTA |
| | OPEL | CORSA (A SERIES) |

MANUFACTURAS WRACKYNSON

www.wrakynson.com

Page 477 of 822



REPAIR KITS & THEIR APPLICATIONS



| | | |
|----------------|----------------------|-------------------------------------|
| 3115-G | OPEL | KADETT |
| | OPEL | REKORD |
| 3117-G | ALFA ROMEO | 75 - 90 |
| | ALFA ROMEO | ALFETTA |
| | ALFA ROMEO | GIULIETTA |
| | ALFA ROMEO | GTV |
| | ALFA ROMEO | MONTREAL |
| | AUDI | 100 (C2 SERIES) 76→82 |
| | BMW | 2.5 - 3.3LI (E3) 10 - 68→ |
| | BMW | 5 SERIES (E12) 72→81 |
| | BMW | 7 SERIES (E23) 77→86 |
| | MERCEDES | L206DG - L207 (BM605-606-607-608) |
| | MERCEDES | T2-L (BM309-310) 1-68→12-88 |
| | OPEL | KADETT |
| | OPEL | REKORD |
| | VOLVO | 140 - 164 |
| | VOLVO | 340 - 360 |
| 3118-G | RENAULT | R4 |
| | RENAULT | R5 - R6 |
| | SEAT | 124 - 128 - 1200 - 1430 - D - SPORT |
| 3119-G | RENAULT | R4 |
| | RENAULT | R5 - R6 |
| 3120-G | PEUGEOT | 504 |
| | RENAULT | ESTAFETTE |
| | RENAULT | R12 |
| | RENAULT | R16 |
| | RENAULT | R4 |
| 3121-GV | RENAULT | R12 |
| 3123-G | ARO | 240 - 244 |
| | LAND ROVER | 88 - 109 |
| | SANTANA - LAND ROVER | LAND - ROVER 109 - CAZORLA |
| 3124-G | MERCEDES | N-1000 - N-1300 |
| 3125-G | CITROËN | AX |
| | CITROËN | C15 |
| | CITROËN | VISA - LNA |
| | CITROËN | ZX |
| | PEUGEOT | 205 |
| | PEUGEOT | 309 |
| 3126-G | CITROËN | C15 |
| | CITROËN | VISA - LNA |
| | PEUGEOT | 104 |
| | RENAULT | R4 |
| | RENAULT | R5 - R6 |
| 3127-G | CITROËN | AX |
| | CITROËN | ZX |
| | PEUGEOT | 106 |
| | PEUGEOT | 205 |
| | PEUGEOT | 306 |
| | PEUGEOT | 405 |
| | RENAULT | CLIO |
| | RENAULT | ESPACE |
| | RENAULT | EXPRESS |
| | RENAULT | MEGANE |
| | RENAULT | MEGANE SCENIC |
| | RENAULT | R19 - CHAMADE |
| | RENAULT | R21 - NEVADA |
| | RENAULT | TWINGO |

| | | |
|---------------|----------------------|--------------------------------|
| | SEAT | IBIZA |
| | SEAT | MALAGA |
| | SEAT | PANDA TRANS - TERRA - MARBELLA |
| | SEAT | RITMO - RONDA |
| | SEAT | TOLEDO |
| | TALBOT | HORIZON |
| | VOLKSWAGEN | GOLF (II SERIES) 08-83→12-92 |
| | VOLKSWAGEN | JETTA (II SERIES) 08-83→12-92 |
| | VOLKSWAGEN | POLO (II SERIES) 10-81→09-94 |
| | VOLKSWAGEN | SCIROCCO |
| | VOLVO | 440 - 460 - 480 |
| 3128-G | FORD | CAPRI |
| | FORD | CORTINA |
| | FORD | GRANADA - CONSUL |
| | FORD | PUMA |
| | FORD | TAUNUS |
| | PEUGEOT | 205 |
| 3129-G | MERCEDES | MB 100 (631) 81→97 |
| | NISSAN - DATSUN | CABSTAR - ATLAS |
| | SANTANA - LAND ROVER | LAND - ROVER 109 - CAZORLA |
| | SANTANA - LAND ROVER | LAND - ROVER 88 |
| 3130-G | ALFA ROMEO | 33 |
| | ALFA ROMEO | ALFASUD SPRINT |
| | BMW | 3 SERIES (E30) 83→ |
| | BMW | Z1 |
| | CITROËN | SAXO |
| | CITROËN | XSARA |
| | DAEWOO | LANOS |
| | DAEWOO | NEXIA |
| | FIAT | DUNA |
| | FIAT | FIORINO |
| | FIAT | PALIO |
| | FIAT | PUNTO (176 SERIES) |
| | FIAT | PUNTO (188 SERIES) |
| | FORD | FIESTA |
| | FORD | KA |
| | LANCIA | Y10 - A112 - FIRE LX |
| | MAZDA | 121 |
| | OPEL | ASTRA (F SERIES) |
| | OPEL | COMBO |
| | OPEL | CORSA (A SERIES) |
| | OPEL | CORSA (B SERIES) |
| | OPEL | TIGRA |
| | OPEL | VECTRA |
| | PEUGEOT | 106 |
| | PEUGEOT | 205 |
| | PEUGEOT | 306 |
| 3131-G | PEUGEOT | 204 |
| | PEUGEOT | 304 |
| | PEUGEOT | 404 |
| | PEUGEOT | 504 |
| 3133-G | AUDI | 100 (C3 SERIES) 82→90 |
| | AUDI | 200 |
| | BMW | 3 SERIES (E36) 91→ |
| | BMW | 3 SERIES (E46) 9-98→ |
| | BMW | 5 SERIES (E34) 88→ |

MANUFACTURAS WRAKYNSON

www.wrakynson.com

Page 478 of 822



REPAIR KITS & THEIR APPLICATIONS



| | | |
|---------------|------------|---|
| 3133-G | BMW | 5 SERIES (E39) 96→ |
| | BMW | 7 SERIES (E32) 87→ |
| | BMW | 7 SERIES (E38) 94→ |
| | BMW | 8 SERIES (E31) 90→ |
| | BMW | X5 (E53) 01→ |
| | BMW | Z3 |
| | FORD | ESCORT - ORION |
| | FORD | ESCORT - ORION |
| | FORD | GRANADA - CONSUL |
| | FORD | MONDEO |
| | FORD | SCORPIO |
| | FORD | SCORPIO |
| | FORD | SCORPIO |
| | FORD | SIERRA |
| | JAGUAR | XJ - XJS |
| | JAGUAR | XK SERIES |
| | MAZDA | TRIBUTE |
| | MERCEDES | SPRINTER |
| | MERCEDES | (BM901-902-903-904-905) 95→06 |
| | MERCEDES | V-CLASS (BM638-2) 2-96→7-03 |
| | MERCEDES | VITO (BM638) 02-96→7-03 |
| | OPEL | SENATOR - MONZA |
| | VOLKSWAGEN | LT SERIES |
| | VOLKSWAGEN | TRANSPORTER (III SERIES) 05-79→12-92 |
| 3134-G | RENAULT | CLIO |
| | RENAULT | EXPRESS |
| | RENAULT | R4 |
| | RENAULT | R5 - R6 |
| | RENAULT | SUPER 5 |
| | RENAULT | TWINGO |
| 3135-G | JAGUAR | XJ - XJS |
| | MERCEDES | S-CLASS COUPE (C126) 10-81→6-91 |
| | RENAULT | ESPACE |
| | RENAULT | LAGUNA |
| | RENAULT | R25 |
| | RENAULT | SAFRANE |
| | RENAULT | SCENIC |
| | VOLKSWAGEN | TRANSPORTER (III SERIES) 05-79→12-92 |
| 3136-G | SEAT | PANDA TRANS - TERRA - MARBELLA |
| 3137-G | FIAT | 126 - 127 - 128 |
| | FIAT | ARGENTA - NUOVA |
| | FIAT | PANDA - MARBELLA |
| | FIAT | REGATA |
| | FIAT | RITMO - NUOVA |
| | FIAT | UNO |
| | FIAT | X 1-9 |
| | LANCIA | DELTA - PRISMA |
| | LANCIA | Y10 - A112 - FIRE LX |
| | POLSKI | 125 - 126 |
| | POLSKI | 127 - 132 |
| | POLSKI | POLONEZ |
| | SEAT | 127 - FURA |
| | SEAT | IBIZA |
| | SEAT | PANDA TRANS - TERRA - MARBELLA |
| | SEAT | RITMO - RONDA |

| | | |
|---------------|----------------------|--|
| | ZASTAVA - YUGO | 101 - CONTACT - NOGARO - YUGO |
| 3138-G | LADA | 2101 - 2102 - 2103 - 2104 - 2105 - 2106 |
| | LADA | NIVA (2121) |
| | POLSKI | 125 - 126 |
| | POLSKI | 127 - 132 |
| | SEAT | 127 - FURA |
| | ZASTAVA - YUGO | 101 - CONTACT - NOGARO - YUGO |
| 3139-G | LANCIA | DELTA - PRISMA |
| | SEAT | IBIZA |
| | SEAT | MALAGA |
| | SEAT | PANDA TRANS - TERRA - MARBELLA |
| | SEAT | RITMO - RONDA |
| 3140-G | SANTANA - LAND ROVER | LAND - ROVER 109 - CAZORLA |
| 3141-G | LAND ROVER | 88 - 109 |
| | SANTANA - LAND ROVER | LAND - ROVER 109 - CAZORLA |
| | SANTANA - LAND ROVER | LAND - ROVER 2.500 - 3.500 |
| 3142-G | SANTANA - LAND ROVER | LAND - ROVER 109 - CAZORLA |
| | SANTANA - LAND ROVER | LAND - ROVER 2.500 - 3.500 |
| | SANTANA - LAND ROVER | LAND - ROVER 88 |
| 3144-G | SUZUKI | SJ410 - SJ413 - SAMURAI |
| 3148-G | FIAT | TIPO |
| | FORD | FIESTA |
| 3150-G | FORD | FIESTA |
| 3151-G | FORD | FIESTA |
| 3152-G | NISSAN - DATSUN | VANETTE |
| 3153-G | NISSAN - DATSUN | CABSTAR - ATLAS |
| | NISSAN - DATSUN | PATROL |
| 3154-G | NISSAN - DATSUN | PATROL |
| 3155-G | NISSAN - DATSUN | 140 2TON TRUCK |
| | NISSAN - DATSUN | 200SX |
| | NISSAN - DATSUN | 300ZX |
| | NISSAN - DATSUN | A10 |
| | NISSAN - DATSUN | BLUEBIRD |
| | NISSAN - DATSUN | CEDRIC |
| | NISSAN - DATSUN | CHERRY |
| | NISSAN - DATSUN | DATSUN 100 - 2.200D SERIES |
| | NISSAN - DATSUN | F 10 |
| | NISSAN - DATSUN | LAUREL |
| | NISSAN - DATSUN | MAXIMA |
| | NISSAN - DATSUN | PATROL |
| | NISSAN - DATSUN | PICK-UP |
| | NISSAN - DATSUN | PRAIRIE |
| | NISSAN - DATSUN | SKYLINE |
| | NISSAN - DATSUN | STANZA |
| | NISSAN - DATSUN | SUNNY - PULSAR - 100NX (B13 SERIES) |
| | NISSAN - DATSUN | TERRANO |
| | NISSAN - DATSUN | URVAN |
| 3156-G | ISUZU | SETA |
| | NISSAN - DATSUN | PATROL |
| | NISSAN - DATSUN | VANETTE |
| 3157-G | ALFA ROMEO | 1.750 - 2.000 |
| | ALFA ROMEO | ALFETTA |
| | ALFA ROMEO | GIULIETTA |
| | ALFA ROMEO | GTV |
| | ALFA ROMEO | MONTREAL |

MANUFACTURAS WRKYNSON

www.wrakynson.com

Page 479 of 822



REPAIR KITS & THEIR APPLICATIONS



| | | |
|---------------|------------|--|
| 3157-G | ALFA ROMEO | SPIDER |
| | AUDI | 100 (C1 SERIES) 68→76 |
| | AUDI | 50 |
| | AUDI | 80 - 90 (B2 SERIES) 78→86 |
| | AUDI | 80 - 90 (B3 SERIES) 86→91 |
| | AUDI | 80 (B1 SERIES) 72→78 |
| | AUDI | 80 (B4 SERIES) 91→95 |
| | BMW | 1500 - 2000CS (115 - 116 - 118 - 121) 10-62→11-72 |
| | BMW | 1502 - 2002TII (02) (E10 - E6) 66→77 |
| | BMW | 3 SERIES (E21) 75→82 |
| | DAF | 44 - 55 - 66 |
| | FORD | CAPRI |
| | FORD | CORTINA |
| | FORD | ESCORT - ORION |
| | FORD | GRANADA - CONSUL |
| | FORD | TAUNUS |
| | OPEL | ASCONA - MANTA |
| | OPEL | KADETT |
| | OPEL | REKORD |
| | RENAULT | TRAFIC |
| | SAAB | 95 - 96 |
| | VOLKSWAGEN | CADDY |
| | VOLKSWAGEN | GOLF (I SERIES) 04-74→12-85 |
| | VOLKSWAGEN | JETTA (I SERIES) 08-78→02-84 |
| | VOLKSWAGEN | PASSAT (32 - 33) 05-73→07-80 |
| | VOLKSWAGEN | PASSAT (32B) 11-79→06-89 |
| | VOLKSWAGEN | POLO (I SERIES) 03-75→09-81 |
| | VOLKSWAGEN | POLO (II SERIES) 10-81→09-94 |
| | VOLKSWAGEN | SANTANA |
| | VOLKSWAGEN | SCIROCCO |

| | | |
|----------------|-------|--------|
| 3158-GV | ENASA | PEGASO |
|----------------|-------|--------|

| | | |
|---------------|------------|-------------------------------|
| 3159-G | AUDI | 50 |
| | AUDI | 80 - 90 (B2 SERIES) 78→86 |
| | AUDI | 80 (B1 SERIES) 72→78 |
| | VOLKSWAGEN | GOLF (II SERIES) 08-83→12-92 |
| | VOLKSWAGEN | JETTA (II SERIES) 08-83→12-92 |
| | VOLKSWAGEN | PASSAT (32 - 33) 05-73→07-80 |
| | VOLKSWAGEN | PASSAT (32B) 11-79→06-89 |
| | VOLKSWAGEN | POLO (I SERIES) 03-75→09-81 |
| | VOLKSWAGEN | SANTANA |
| | VOLKSWAGEN | SCIROCCO |

| | | |
|---------------|---------|----------|
| 3160-G | RENAULT | R18 |
| | RENAULT | R9 - R11 |

| | | |
|---------------|----------------------|----------------------------|
| 3161-G | SANTANA - LAND ROVER | LAND - ROVER 109 - CAZORLA |
| | SANTANA - LAND ROVER | LAND - ROVER 2.500 - 3.500 |
| | SANTANA - LAND ROVER | LAND - ROVER 88 |

| | | |
|---------------|------------|-------------------------------|
| 3162-G | ALFA ROMEO | 33 |
| | ALFA ROMEO | ALFASUD SPRINT |
| | AUDI | COUPE |
| | SEAT | CORDOBA |
| | SEAT | IBIZA |
| | SEAT | RITMO - RONDA |
| | SEAT | TOLEDO |
| | VOLKSWAGEN | CADDY |
| | VOLKSWAGEN | GOLF (II SERIES) 08-83→12-92 |
| | VOLKSWAGEN | JETTA (II SERIES) 08-83→12-92 |

| | |
|------------|------------------------------|
| VOLKSWAGEN | PASSAT (32B) 11-79→06-89 |
| VOLKSWAGEN | POLO (II SERIES) 10-81→09-94 |
| VOLKSWAGEN | SANTANA |
| VOLKSWAGEN | SCIROCCO |
| VOLKSWAGEN | VENTO |

| | | |
|---------------|------------|------------------------------|
| 3163-G | AUDI | 50 |
| | AUDI | 80 - 90 (B2 SERIES) 78→86 |
| | AUDI | 80 - 90 (B2 SERIES) 78→86 |
| | AUDI | 80 (B1 SERIES) 72→78 |
| | AUDI | 80 (B1 SERIES) 72→78 |
| | VOLKSWAGEN | GOLF (I SERIES) 04-74→12-85 |
| | VOLKSWAGEN | GOLF (I SERIES) 04-74→12-85 |
| | VOLKSWAGEN | JETTA (I SERIES) 08-78→02-84 |
| | VOLKSWAGEN | JETTA (I SERIES) 08-78→02-84 |
| | VOLKSWAGEN | PASSAT (32 - 33) 05-73→07-80 |
| | VOLKSWAGEN | PASSAT (32 - 33) 05-73→07-80 |
| | VOLKSWAGEN | POLO (I SERIES) 03-75→09-81 |
| | VOLKSWAGEN | POLO (II SERIES) 10-81→09-94 |
| | VOLKSWAGEN | SCIROCCO |

| | | |
|---------------|------------|------------------------------|
| 3164-G | AUDI | 80 (B1 SERIES) 72→78 |
| | VOLKSWAGEN | GOLF (I SERIES) 04-74→12-85 |
| | VOLKSWAGEN | JETTA (I SERIES) 08-78→02-84 |
| | VOLKSWAGEN | PASSAT (32 - 33) 05-73→07-80 |
| | VOLKSWAGEN | POLO (I SERIES) 03-75→09-81 |
| | VOLKSWAGEN | SCIROCCO |

| | | |
|---------------|------|-----------------------|
| 3165-G | AVIA | 1.600 - 2.000 - 2.600 |
| | AVIA | 3.600 - 5.600 |

| | | |
|---------------|-----------------|-----------------|
| 3168-G | NISSAN - DATSUN | 300ZX |
| | NISSAN - DATSUN | BLUEBIRD |
| | NISSAN - DATSUN | CABSTAR - ATLAS |
| | NISSAN - DATSUN | CEDRIC |
| | NISSAN - DATSUN | FAIRLADY |
| | NISSAN - DATSUN | LAUREL |
| | NISSAN - DATSUN | MAXIMA |
| | NISSAN - DATSUN | PICK-UP |
| | NISSAN - DATSUN | PRAIRIE |
| | NISSAN - DATSUN | SILVIA |
| | NISSAN - DATSUN | STANZA |
| | NISSAN - DATSUN | TERRANO |
| | NISSAN - DATSUN | URVAN |
| | NISSAN - DATSUN | VANETTE |

| | | |
|---------------|-----------------|----------|
| 3169-G | NISSAN - DATSUN | BLUEBIRD |
| | NISSAN - DATSUN | C120 |
| | NISSAN - DATSUN | LAUREL |
| | NISSAN - DATSUN | PRAIRIE |
| | NISSAN - DATSUN | SKYLINE |
| | NISSAN - DATSUN | STANZA |
| | NISSAN - DATSUN | VANETTE |

| | | |
|---------------|------------|--|
| 3170-G | MITSUBISHI | COLT |
| | MITSUBISHI | ETERNA |
| | MITSUBISHI | GALANT (V SERIES) 11-92→10-96 |
| | MITSUBISHI | L200 |
| | MITSUBISHI | LANCER (III SERIES C1-C3) 11-83→06-92 |
| | MITSUBISHI | LANCER (IV SERIES C6-C7) 04-88→05-94 |
| | MITSUBISHI | LANCER (V SERIES CB-CD) 06-92→09-00 |



REPAIR KITS & THEIR APPLICATIONS



| | | |
|---------------|-----------------|--------------------------------|
| 3170-G | MITSUBISHI | MONTERO |
| | MITSUBISHI | PAJERO |
| | MITSUBISHI | SPACE WAGON |
| | MITSUBISHI | TREDIA - CORDIA |
| | NISSAN - DATSUN | C120 |
| | NISSAN - DATSUN | CABSTAR - ATLAS |
| | NISSAN - DATSUN | CIVILIAN - CAVALLIER - CLIPPER |
| | NISSAN - DATSUN | DATSUN 100 - 2.200D SERIES |
| | NISSAN - DATSUN | E 20 |
| | NISSAN - DATSUN | F 10 |
| | NISSAN - DATSUN | PICK-UP |
| | NISSAN - DATSUN | SKYLINE |
| | NISSAN - DATSUN | URVAN |
| | NISSAN - DATSUN | VANETTE |

| | | |
|---------------|----------|-----------------------------|
| 3172-G | MERCEDES | 8 (W114) 68→02-77 |
| | MERCEDES | 8 (W115) 68→2-77 |
| | MERCEDES | G-CLASS (W460-461-463) 79→ |
| | MERCEDES | S-CLASS (W116) 8-72→7-80 |
| | MERCEDES | S-CLASS (W126) 10-79→6-91 |
| | MERCEDES | T1 (BM601 - BM602) 5-77→ |
| | MERCEDES | T1-TN (BM611) 6-81→ |
| | MERCEDES | T2-L (BM309-310) 1-68→12-88 |

| | | |
|---------------|----------|---|
| 3173-G | BMW | 1500 - 2000CS (115 - 116 - 118 - 121) 10-62→11-72 |
| | BMW | 1502 - 2002TII (02) (E10 - E6) 66→77 |
| | BMW | 2.5 - 3.3LI (E3) 10 - 68→ |
| | BMW | 2.5CS - 3.0CSL (E9) 06-70→ |
| | BMW | 3 SERIES (E21) 75→82 |
| | BMW | 3 SERIES (E30) 83→ |
| | BMW | 5 SERIES (E12) 72→81 |
| | BMW | 5 SERIES (E28) 81→88 |
| | BMW | 6 SERIES (E24) 76→88 |
| | BMW | 7 SERIES (E23) 77→86 |
| | MERCEDES | 8 (W114) 68→02-77 |
| | MERCEDES | 8 (W115) 68→2-77 |
| | MERCEDES | S-CLASS (W116) 8-72→7-80 |

| | | |
|---------------|-----|----------------------|
| 3174-G | BMW | 3 SERIES (E21) 75→82 |
| | BMW | 3 SERIES (E30) 83→ |
| | BMW | 5 SERIES (E12) 72→81 |
| | BMW | 5 SERIES (E28) 81→88 |
| | BMW | 6 SERIES (E24) 76→88 |
| | BMW | Z1 |

| | | |
|---------------|---------|--------------|
| 3175-G | RENAULT | ALPINE |
| | RENAULT | ESPACE |
| | RENAULT | R20 |
| | RENAULT | R21 - NEVADA |
| | RENAULT | R25 |
| | RENAULT | R30 |

| | | |
|---------------|------|--------------------------------------|
| 3176-G | AUDI | 100 (C1 SERIES) 68→76 |
| | AUDI | 100 (C2 SERIES) 76→82 |
| | AUDI | 100 (C3 SERIES) 82→90 |
| | AUDI | 100 (C4 SERIES) 90→95 |
| | AUDI | 200 |
| | BMW | 1502 - 2002TII (02) (E10 - E6) 66→77 |
| | BMW | 2.5 - 3.3LI (E3) 10 - 68→ |
| | BMW | 5 SERIES (E12) 72→81 |
| | BMW | 6 SERIES (E24) 76→88 |

| | |
|------------|--|
| MERCEDES | 8 (W114) 68→02-77 |
| MERCEDES | 8 (W115) 68→2-77 |
| MERCEDES | CABRIOLET HECKFLOSSE (W110-W111) 59→72 |
| MERCEDES | COUPE (W111) 1-61→12-71 |
| MERCEDES | PAGODE (W113) 63→72 |
| MERCEDES | S-CLASS (W108-W109) 1-66→8-72 |
| MERCEDES | S-CLASS (W116) 8-72→7-80 |
| MERCEDES | SL (R107) 5-71→9-89 |
| OPEL | REKORD |
| RENAULT | TRAFIC |
| VOLKSWAGEN | TRANSPORTER (II SERIES) 08-67→09-79 |

| | | |
|---------------|---------|--------|
| 3178-G | RENAULT | R20 |
| | RENAULT | R25 |
| | RENAULT | R30 |
| | RENAULT | TRAFIC |

| | | |
|---------------|---------|---------------|
| 3179-G | CITROËN | AX |
| | PEUGEOT | 106 |
| | PEUGEOT | 305 |
| | PEUGEOT | 306 |
| | PEUGEOT | 309 |
| | RENAULT | CLIO |
| | RENAULT | EXPRESS |
| | RENAULT | MEGANE |
| | RENAULT | MEGANE SCENIC |
| | RENAULT | R19 - CHAMADE |
| | RENAULT | R21 - NEVADA |
| | RENAULT | SUPER 5 |

| | | |
|---------------|---------|---------|
| 3181-G | CITROËN | C25 |
| | FIAT | DUCATO |
| | FIAT | TALENTO |
| | PEUGEOT | J5 |

| | | |
|---------------|-----------------|----------|
| 3182-G | JAGUAR | XJ - XJS |
| | LAND ROVER | 88 - 109 |
| | LAND ROVER | 90 - 110 |
| | NISSAN - DATSUN | PATROL |
| | NISSAN - DATSUN | VANETTE |

| | | |
|---------------|------|--------|
| 3184-G | OPEL | REKORD |
|---------------|------|--------|

| | | |
|---------------|-----------------|-------------------------------------|
| 3185-G | NISSAN - DATSUN | A10 |
| | NISSAN - DATSUN | BLUEBIRD |
| | NISSAN - DATSUN | C120 |
| | NISSAN - DATSUN | CEDRIC |
| | NISSAN - DATSUN | LAUREL |
| | NISSAN - DATSUN | PRAIRIE |
| | NISSAN - DATSUN | STANZA |
| | NISSAN - DATSUN | SUNNY - PULSAR - 100NX (B13 SERIES) |
| | NISSAN - DATSUN | TERRANO |
| | NISSAN - DATSUN | URVAN |
| | NISSAN - DATSUN | VANETTE |

| | | |
|---------------|-----------------|----------|
| 3186-G | FORD | MAVERICK |
| | NISSAN - DATSUN | TERRANO |

| | | |
|---------------|---------|---------|
| 3187-G | PEUGEOT | 309 |
| | PEUGEOT | 504 |
| | PEUGEOT | 505 |
| | RENAULT | ESPACE |
| | RENAULT | EXPRESS |



REPAIR KITS & THEIR APPLICATIONS



| | | |
|---------------|--------------|-------------------------------|
| 3187-G | RENAULT | FUEGO |
| | RENAULT | R12 |
| | RENAULT | R14 |
| | RENAULT | R15 |
| | RENAULT | R17 |
| | RENAULT | R18 |
| | RENAULT | R20 |
| | RENAULT | R21 - NEVADA |
| | RENAULT | R25 |
| | RENAULT | R30 |
| | RENAULT | R9 - R11 |
| | RENAULT | SUPER 5 |
| | RENAULT | TRAFIC |
| 3188-G | ALFA ROMEO | ALFASUD |
| | ALFA ROMEO | ARNA |
| | FIAT | FIORINO |
| | FIAT | UNO |
| 3189-G | ALFA ROMEO | 164 |
| | ALFA ROMEO | 75 - 90 |
| | ALFA ROMEO | ALFETTA |
| | ALFA ROMEO | AR |
| | ALFA ROMEO | GIULIETTA |
| | ALFA ROMEO | GTV |
| | ALFA ROMEO | MONTREAL |
| | CITROËN | C25 |
| | FIAT | CROMA |
| | FIAT | DUCATO |
| | FIAT | RITMO - NUOVA |
| | FIAT | TALENTO |
| | FIAT | UNO |
| | LANCIA | THEMA - GAMMA |
| | PEUGEOT | J5 |
| 3190-G | AUTHI MORRIS | MINI |
| | DAF | V200 FREIGHT - SHERPA |
| | DAF | V400 |
| | LAND ROVER | DEFENDER |
| | LAND ROVER | DISCOVERY |
| | LAND ROVER | RANGE ROVER |
| 3191-G | AUDI | 50 |
| | VOLKSWAGEN | GOLF (I SERIES) 04-74 →12-85 |
| | VOLKSWAGEN | JETTA (I SERIES) 08-78→02-84 |
| | VOLKSWAGEN | POLO (I SERIES) 03-75→09-81 |
| | VOLKSWAGEN | POLO (II SERIES) 10-81→09-94 |
| | VOLKSWAGEN | SCIROCCO |
| 3192-G | IVECO | DAILY (I SERIES) 06-78→12-89 |
| | IVECO | DAILY (II SERIES) 01-90→05-99 |
| 3193-G | ALFA ROMEO | 1.750 - 2.000 |
| | ALFA ROMEO | 33 |
| | ALFA ROMEO | ALFASUD |
| | ALFA ROMEO | ALFASUD SPRINT |
| | ALFA ROMEO | ALFETTA |
| | ALFA ROMEO | AR |
| | ALFA ROMEO | GIULIETTA |
| | ALFA ROMEO | GTV |
| | IVECO | DAILY (I SERIES) 06-78→12-89 |
| 3194-G | IVECO | DAILY (I SERIES) 06-78→12-89 |
| 3195-G | AUTHI MORRIS | MINI |

| | | |
|---------------|----------------------|--|
| | DAF | V400 |
| | FORD | TRANSIT (I SERIES) 65→78 |
| | IVECO | DAILY (I SERIES) 06-78→12-89 |
| | ROVER | MINI 850 - 1.000 - 1300 |
| | SAAB | 95 - 96 |
| 3196-G | DAF | V200 FREIGHT - SHERPA |
| | DAF | V400 |
| | IVECO | DAILY (I SERIES) 06-78→12-89 |
| | ROVER | 100 SERIES |
| | ROVER | METRO |
| | ROVER | TRIUMPH |
| 3197-G | IVECO | ZETA |
| 3198-G | IVECO | ZETA |
| 3199-G | FIAT | X 1-9 |
| | IVECO | ZETA |
| 3202-G | IVECO | 115 - 135 - 145 - 190 - 260 - 330 - MAGIRUS |
| 3204-G | MERCEDES | CABRIOLET HECKFLOSSE (W110-W111) 59→72 |
| | MERCEDES | S-CLASS (W116) 8-72→7-80 |
| | MERCEDES | SL (R107) 5-71→9-89 |
| 3207-G | MERCEDES | 123 - 200 - 300 (W123 SERIES) 76→86 |
| | MERCEDES | 8 (W114) 68→02-77 |
| | MERCEDES | 8 (W115) 68→2-77 |
| | MERCEDES | S-CLASS (W116) 8-72→7-80 |
| | MERCEDES | S-CLASS (W126) 10-79→6-91 |
| | MERCEDES | T2-L (BM309-310) 1-68→12-88 |
| 3208-G | MERCEDES | CABRIOLET HECKFLOSSE (W110-W111) 59→72 |
| | MERCEDES | COUPE (W111) 1-61→12-71 |
| 3209-G | FORD | TRANSIT (III SERIES) 86→00 |
| | SANTANA - LAND ROVER | LAND - ROVER 109 - CAZORLA |
| 3210-G | IVECO | ZETA |
| 3211-G | IVECO | ZETA |
| 3212-G | CITROËN | AX |
| | CITROËN | VISA - LNA |
| | PEUGEOT | 106 |
| | PEUGEOT | 205 |
| | PEUGEOT | 306 |
| | PEUGEOT | 309 |
| | RENAULT | CLIO |
| | RENAULT | EXPRESS |
| | RENAULT | MEGANE |
| | RENAULT | R19 - CHAMADE |
| | RENAULT | R21 - NEVADA |
| | RENAULT | R9 - R11 |
| | RENAULT | SUPER 5 |
| 3213-G | VOLVO | 140 - 164 |
| | VOLVO | 240 - 260 |
| | VOLVO | 740 - 760 - 780 |
| 3214-G | VOLVO | 740 - 760 - 780 |
| 3215-G | VOLVO | 240 - 260 |
| | VOLVO | 740 - 760 - 780 |
| 3216-G | ALFA ROMEO | 33 |
| | ALFA ROMEO | 6 |
| | ALFA ROMEO | ALFASUD |
| | ALFA ROMEO | ALFASUD SPRINT |

MANUFACTURAS WRKYNSON

www.wrakynson.com

Page 482 of 822



REPAIR KITS & THEIR APPLICATIONS



| | | |
|---------------|------------|---|
| 3216-G | ALFA ROMEO | ALFETTA |
| | ALFA ROMEO | ARNA |
| | ALFA ROMEO | GIULIETTA |
| | ALFA ROMEO | GTV |
| 3217-G | ALFA ROMEO | 33 |
| | ALFA ROMEO | 75 - 90 |
| | ALFA ROMEO | ALFASUD |
| | ALFA ROMEO | ALFASUD SPRINT |
| | ALFA ROMEO | ALFETTA |
| | ALFA ROMEO | ARNA |
| | ALFA ROMEO | GIULIETTA |
| | ALFA ROMEO | GTV |
| 3218-G | BMW | 3 SERIES (E21) 75→82 |
| | BMW | 5 SERIES (E28) 81→88 |
| 3219-G | BMW | 1500 - 2000CS (115 - 116 - 118 - 121) 10-62→11-72 |
| | BMW | 1502 - 2002TII (02) (E10 - E6) 66→77 |
| | BMW | 2.5 - 3.3LI (E3) 10 - 68→ |
| | BMW | 2.5CS - 3.0CSL (E9) 06-70→ |
| | BMW | 5 SERIES (E12) 72→81 |
| 3220-G | ALFA ROMEO | 145 - 146 |
| | ALFA ROMEO | 145 - 146 |
| | ALFA ROMEO | 155 |
| | ALFA ROMEO | 155 |
| | ALFA ROMEO | 164 |
| | ALFA ROMEO | 164 |
| | AUDI | 100 (C2 SERIES) 76→82 |
| | AUDI | 100 (C3 SERIES) 82→90 |
| | AUDI | 200 |
| | AUDI | 200 |
| | AUDI | 80 - 90 (B2 SERIES) 78→86 |
| | AUDI | 80 - 90 (B3 SERIES) 86→91 |
| | AUDI | 80 (B4 SERIES) 91→95 |
| | AUDI | A4 (B5 SERIES) 94→01 |
| | AUDI | CABRIOLET |
| | AUDI | COUPE |
| | CITROËN | ZX |
| | FIAT | ARGENTA - NUOVA |
| | FIAT | COUPE |
| | FIAT | CROMA |
| | FIAT | CROMA |
| | FIAT | CROMA |
| | FIAT | PUNTO (176 SERIES) |
| | FIAT | SEICENTO |
| | FIAT | TEMPRA |
| | FIAT | TIPO |
| | FIAT | TIPO |
| | FORD | SIERRA |
| | LANCIA | DEDRA |
| | LANCIA | DELTA - PRISMA |
| | LANCIA | THEMA - GAMMA |
| | LANCIA | THEMA - GAMMA |
| | LANCIA | THEMA - GAMMA |
| | LAND ROVER | FREELANDER |
| | MERCEDES | 124 - 200 - 500 (W124 SERIES) 85→06-93 |
| | MERCEDES | 190 (W201) 10-82→08-93 |
| | MERCEDES | C-CLASS (T202) 6-96→3-01 |

| | | |
|---------------|------------|--|
| | MERCEDES | C-CLASS (W202) 3-93→5-00 |
| | MERCEDES | COUPE (C124) 3-87→5-93 |
| | MERCEDES | E-CLASS (W124-S124) 6-93→6-96 |
| | MERCEDES | KOMBI T MODEL (S124) 9-85→06-93 |
| | PEUGEOT | 305 |
| | PEUGEOT | 306 |
| | PEUGEOT | 405 |
| | ROVER | MAESTRO |
| | ROVER | MONTEGO |
| | SAAB | 900 |
| | SAAB | 9000 |
| | SEAT | CORDOBA |
| | SEAT | IBIZA |
| | SEAT | INCA |
| | SEAT | TOLEDO |
| | SKODA | FAVORIT |
| | SKODA | FELICIA |
| | SKODA | FORMAN |
| | VOLKSWAGEN | CADDY |
| | VOLKSWAGEN | CORRADO |
| | VOLKSWAGEN | GOLF (II SERIES) 08-83→12-92 |
| | VOLKSWAGEN | GOLF (III SERIES) 08-91→07-98 |
| | VOLKSWAGEN | GOLF (IV SERIES) 08-97→06-05 |
| | VOLKSWAGEN | JETTA (II SERIES) 08-83→12-92 |
| | VOLKSWAGEN | LUPO |
| | VOLKSWAGEN | PASSAT (3A2 - 35I - 3A5 - 35I) 02-88→12-97 |
| | VOLKSWAGEN | POLO (III SERIES) 09-94→10-01 |
| | VOLKSWAGEN | POLO CLASSIC |
| | VOLKSWAGEN | SCIROCCO |
| | VOLKSWAGEN | VENTO |
| | VOLVO | 440 - 460 - 480 |
| | VOLVO | 440 - 460 - 480 |
| 3221-G | CITROËN | AX |
| | CITROËN | SAXO |
| | CITROËN | ZX |
| | PEUGEOT | 106 |
| | PEUGEOT | 205 |
| | PEUGEOT | 305 |
| | PEUGEOT | 306 |
| | PEUGEOT | 309 |
| | PEUGEOT | 405 |
| | RENAULT | R18 |
| | RENAULT | R21 - NEVADA |
| | RENAULT | R9 - R11 |
| | RENAULT | SUPER 5 |
| 3223-G | ALFA ROMEO | 33 |
| | ALFA ROMEO | ALFASUD |
| | ALFA ROMEO | ALFASUD SPRINT |
| | ALFA ROMEO | ARNA |
| | PEUGEOT | 309 |
| | RENAULT | R9 - R11 |
| 3224-G | ALFA ROMEO | 33 |
| | ALFA ROMEO | 6 |
| | ALFA ROMEO | 75 - 90 |
| | ALFA ROMEO | ALFASUD |
| | ALFA ROMEO | ALFASUD SPRINT |

MANUFACTURAS WRAKYNSON

www.wrakynson.com

Page 483 of 822



REPAIR KITS & THEIR APPLICATIONS



| | | |
|---------------|----------------------|--|
| 3224-G | ALFA ROMEO | ALFETTA |
| | ALFA ROMEO | ARNA |
| | ALFA ROMEO | GIULIETTA |
| | ALFA ROMEO | GTV |
| 3225-G | ALFA ROMEO | 1.750 - 2.000 |
| | ALFA ROMEO | 145 - 146 |
| | ALFA ROMEO | 155 |
| | ALFA ROMEO | 164 |
| | ALFA ROMEO | 33 |
| | ALFA ROMEO | 75 - 90 |
| | ALFA ROMEO | ALFASUD |
| | ALFA ROMEO | ALFASUD SPRINT |
| | ALFA ROMEO | ALFETTA |
| | ALFA ROMEO | ARNA |
| | ALFA ROMEO | COUPE SZ |
| | ALFA ROMEO | GIULIETTA |
| | ALFA ROMEO | GTV |
| | ALFA ROMEO | MONTREAL |
| | ALFA ROMEO | SPEEDSTER RZ |
| | ALFA ROMEO | SPIDER |
| | FIAT | COUPE |
| | FIAT | CROMA |
| | LANCIA | DEDRA |
| | LANCIA | DELTA - PRISMA |
| | LANCIA | KAPPA |
| | LANCIA | LYBRA |
| | LANCIA | THEMA - GAMMA |
| 3226-G | RENAULT | R18 |
| | RENAULT | R21 - NEVADA |
| 3227-G | IVECO | 115 - 135 - 145 - 190 - 260 - 330 - MAGIRUS |
| 3229-G | ROVER | MAESTRO |
| | ROVER | MONTEGO |
| | SANTANA - LAND ROVER | LAND - ROVER 2.000 |
| 3231-G | ROVER | METRO |
| 3233-G | LAND ROVER | DISCOVERY |
| | LAND ROVER | RANGE ROVER |
| | ROVER | METRO |
| | ROVER | MINI 850 - 1.000 - 1300 |
| | ROVER | TRIUMPH |
| 3234-G | ROVER | 100 SERIES |
| | ROVER | 200 - 400 SERIES |
| | ROVER | METRO |
| 3235-G | DAIHATSU | APPLAUSE |
| | ROVER | 200 - 400 SERIES |
| | SUZUKI | SWIFT |
| 3236-G | DAF | V200 FREIGHT - SHERPA |
| | DAF | V400 |
| 3237-G | FIAT | RITMO - NUOVA |
| | RENAULT | ALPINE |
| | RENAULT | R12 |
| | RENAULT | R15 |
| | RENAULT | R16 |
| | RENAULT | R17 |
| | RENAULT | R20 |
| | RENAULT | R5 - R6 |
| 3238-G | DAF | V200 FREIGHT - SHERPA |

| | | |
|----------------|------------|---|
| 3239-G | DAEWOO | RACER - TICO |
| | OPEL | ASCONA - MANTA |
| | OPEL | CORSA (A SERIES) |
| | OPEL | KADETT |
| | OPEL | REKORD |
| 3240-G | RENAULT | R4 |
| 3242-GV | CITROËN | 2CV - DYANE - C8 - MEHARI |
| 3243-G | AUDI | 80 - 90 (B2 SERIES) 78→86 |
| | CITROËN | AX |
| | CITROËN | ZX |
| | PEUGEOT | 106 |
| | PEUGEOT | 205 |
| | PEUGEOT | 309 |
| | PEUGEOT | 405 |
| | RENAULT | CLIO |
| | RENAULT | ESPACE |
| | RENAULT | MEGANE |
| | RENAULT | MEGANE SCENIC |
| | RENAULT | R19 - CHAMADE |
| | RENAULT | R21 - NEVADA |
| | RENAULT | R25 |
| | SEAT | IBIZA |
| | SEAT | MALAGA |
| | SEAT | RITMO - RONDA |
| | SEAT | TOLEDO |
| | TALBOT | HORIZON |
| | VOLKSWAGEN | GOLF (II SERIES) 08-83→12-92 |
| | VOLKSWAGEN | JETTA (II SERIES) 08-83→12-92 |
| | VOLKSWAGEN | POLO (II SERIES) 10-81→09-94 |
| | VOLKSWAGEN | SCIROCCO |
| 3245-G | CITROËN | AX |
| 3246-G | CITROËN | AX |
| 3247-G | ALFA ROMEO | 164 |
| | AUDI | 100 (C3 SERIES) 82→90 |
| | AUDI | 100 (C4 SERIES) 90→95 |
| | AUDI | 200 |
| | AUDI | 80 - 90 (B3 SERIES) 86→91 |
| | AUDI | A6 (C4 SERIES) 94→97 |
| | AUDI | A8 (4D SERIES) 94→03 |
| | AUDI | CABRIOLET |
| | AUDI | COUPE |
| | AUDI | QUATTRO |
| | FIAT | CROMA |
| | LANCIA | THEMA - GAMMA |
| | PEUGEOT | 405 |
| | SEAT | CORDOBA |
| | SEAT | IBIZA |
| | SEAT | TOLEDO |
| | VOLKSWAGEN | CORRADO |
| | VOLKSWAGEN | GOLF (II SERIES) 08-83→12-92 |
| | VOLKSWAGEN | GOLF (III SERIES) 08-91→07-98 |
| | VOLKSWAGEN | JETTA (II SERIES) 08-83→12-92 |
| | VOLKSWAGEN | PASSAT (32B) 11-79→06-89 |
| | VOLKSWAGEN | PASSAT (3A2 - 351 - 3A5 - 351) 02-88→12-97 |
| | VOLKSWAGEN | VENTO |
| 3248-G | AUDI | 100 (C2 SERIES) 76→82 |

MANUFACTURAS WRKYNSON

www.wrakynson.com

Page 484 of 822



REPAIR KITS & THEIR APPLICATIONS



| | | |
|---------------|--|---|
| 3248-G | AUDI VOLKSWAGEN | 100 (C3 SERIES) 82→90 POLO CLASSIC |
| 3249-G | AUDI | 80 - 90 (B3 SERIES) 86→91 |
| 3250-G | DAF LAND ROVER ROVER | V200 FREIGHT - SHERPA RANGE ROVER TRIUMPH |
| 3251-G | CITROËN PEUGEOT PEUGEOT | AX 106 205 |
| 3252-G | OPEL OPEL OPEL | ASTRA (F SERIES) KADETT VECTRA |
| 3253-G | OPEL | OMEGA |
| 3254-G | OPEL | CORSA (A SERIES) |
| 3256-G | MERCEDES MERCEDES MERCEDES MERCEDES MERCEDES MERCEDES OPEL OPEL OPEL OPEL SAAB SAAB | CABRIOLET HECKFLOSSE (W110-W111) 59→72 CLK (A208-A209) 3-98→ CLK (C208-C209) 6-97→ COUPE (W111) 1-61→12-71 E-CLASS (W210-S210-T210) 6-95→3-03 S-CLASS (W108-W109) 1-66→8-72 ASTRA (F SERIES) CALIBRA KADETT OMEGA VECTRA 9.3 900 |
| 3257-G | ALFA ROMEO ALFA ROMEO AUDI AUDI AUDI AUDI AUDI AUDI AUDI AUDI FIAT JAGUAR LANCIA VOLKSWAGEN VOLKSWAGEN VOLKSWAGEN VOLKSWAGEN | 164 33 100 (C3 SERIES) 82→90 100 (C4 SERIES) 90→95 200 80 - 90 (B2 SERIES) 78→86 80 - 90 (B3 SERIES) 86→91 COUPE QUATTRO CROMA XJ - XJS THEMA - GAMMA GOLF (II SERIES) 08-83→12-92 JETTA (II SERIES) 08-83→12-92 PASSAT (32B) 11-79→06-89 SCIROCCO |
| 3258-G | FIAT FIAT LANCIA LANCIA | ARGENTA - NUOVA TEMPRA DEDRA DELTA - PRISMA |
| 3259-G | NISSAN - DATSUN NISSAN - DATSUN NISSAN - DATSUN | 300ZX PATROL VANETTE |
| 3260-G | ISUZU NISSAN - DATSUN NISSAN - DATSUN NISSAN - DATSUN NISSAN - DATSUN NISSAN - DATSUN | ELF 140 2TON TRUCK 300ZX CEDRIC LAUREL PATROL |

| | | |
|----------------|---|--|
| | NISSAN - DATSUN NISSAN - DATSUN SUBARU SUBARU | SKYLINE TERRANO LEGACY (I SERIES) 01-89→08-94 LEGACY (II SERIES) 02-94→03-99 |
| 3262-G | FIAT | UNO |
| 3263-G | DAF DAF | V200 FREIGHT - SHERPA V400 |
| 3264-G | DAF | F45 - F600 - F800 - F1000 →95 |
| 3265-G | DAF | F45 - F600 - F800 - F1000 →95 |
| 3266-GV | DAF DAF | F1100 → F3600 FA1600 - FAV1800 69→76 |
| 3267-G | ALFA ROMEO ALFA ROMEO AUDI AUDI AUDI AUDI BMW BMW FIAT FIAT FIAT FIAT FIAT FIAT FIAT FIAT FIAT FIAT FIAT FIAT LANCIA LANCIA LANCIA LANCIA RENAULT RENAULT RENAULT RENAULT RENAULT RENAULT SEAT SUZUKI VOLKSWAGEN VOLVO | 155 33 100 (C2 SERIES) 76→82 100 (C3 SERIES) 82→90 80 - 90 (B2 SERIES) 78→86 COUPE 3 SERIES (E30) 83→ Z1 ARGENTA - NUOVA PANDA - MARBELLA PUNTO (176 SERIES) REGATA RITMO - NUOVA TEMPRA TEMPRA TIPO TIPO UNO DEDRA DEDRA DELTA - PRISMA Y10 - A112 - FIRE LX LAGUNA R12 R18 R5 - R6 R5 - R6 127 - FURA VITARA - GRAND VITARA PASSAT (32 - 33) 05-73→07-80 340 - 360 |
| 3268-G | SANTANA - LAND ROVER | LAND - ROVER 2.500 - 3.500 |
| 3269-G | RENAULT | R.V.I (RENAULT TRUCKS) |
| 3270-G | RENAULT | R.V.I (RENAULT TRUCKS) |
| 3271-G | RENAULT | R.V.I (RENAULT TRUCKS) |
| 3272-G | RENAULT | R.V.I (RENAULT TRUCKS) |
| 3273-G | IVECO RENAULT | 115 - 135 - 145 - 190 - 260 - 330 - MAGIRUS R.V.I (RENAULT TRUCKS) |
| 3274-G | RENAULT | R.V.I (RENAULT TRUCKS) |
| 3275-GV | RENAULT | R.V.I (RENAULT TRUCKS) |
| 3276-G | RENAULT | R.V.I (RENAULT TRUCKS) |
| 3277-G | RENAULT | R.V.I (RENAULT TRUCKS) |
| 3278-G | RENAULT | R.V.I (RENAULT TRUCKS) |
| 3279-G | LAND ROVER | 90 - 110 |
| 3280-G | FORD | TRANSIT (III SERIES) 86→00 |

MANUFACTURAS WRAKYNSON

www.wrakynson.com

Page 485 of 822



REPAIR KITS & THEIR APPLICATIONS



| | | |
|---------------|--|--|
| 3281-G | FORD PEUGEOT | TRANSIT (II SERIES) 78→86 205 |
| 3283-G | DAF FORD ROVER ROVER | V200 FREIGHT - SHERPA TRANSIT (II SERIES) 78→86 2.300 - 2.400 - 2.600 - 3.500 TRIUMPH |
| 3285-G | DAF | F45 - F600 - F800 - F1000 →95 |
| 3286-G | RENAULT | R.V.I (RENAULT TRUCKS) |
| 3287-G | FORD ROVER | TRANSIT (III SERIES) 86→00 2.300 - 2.400 - 2.600 - 3.500 |
| 3288-G | CITROËN FIAT PEUGEOT | C25 DUCATO J5 |
| 3289-G | SUBARU | LEONE |
| 3290-G | MAN | 6 → 10 SERIES |
| 3291-G | MAN VOLKSWAGEN | 6 → 10 SERIES TRANSPORTER (III SERIES) 05-79→12-92 |
| 3292-G | MAN MAN | 400 - 2.000 SERIES 6 → 10 SERIES |
| 3293-G | MAN | 11 → 34 SERIES |
| 3294-G | MAN | 11 → 34 SERIES |
| 3295-G | NISSAN - DATSUN | L60.09 - L80.09 - 14 - M110 - M125.14 |
| 3296-G | NISSAN - DATSUN | L60.09 - L80.09 - 14 - M110 - M125.14 |
| 3297-G | SKODA | S100 - 105 - 110 - 120 - 130 - 136 |
| 3298-G | SKODA | S100 - 105 - 110 - 120 - 130 - 136 |
| 3300-G | RENAULT RENAULT RENAULT RENAULT RENAULT RENAULT RENAULT | ESPACE FUEGO R18 R20 R21 - NEVADA R25 R30 |
| 3301-G | IVECO | DAILY (I SERIES) 06-78→12-89 |
| 3303-G | NISSAN - DATSUN NISSAN - DATSUN | EBRO F-L-M SERIRS NISSAN L-M SERIES ECO |
| 3304-G | MAN | 11 → 34 SERIES |
| 3305-G | MAN MAN | 11 → 34 SERIES M90 |
| 3306-G | MAN | 6 → 10 SERIES |
| 3307-G | IVECO | 115 - 135 - 145 - 190 - 260 - 330 - MAGIRUS |
| 3308-G | PEUGEOT RENAULT RENAULT | 205 EXPRESS SUPER 5 |
| 3309-G | SEAT SEAT | IBIZA MALAGA |
| 3310-G | VOLKSWAGEN | PASSAT (32B) 11-79→06-89 |
| 3317-G | CITROËN CITROËN PEUGEOT PEUGEOT PEUGEOT PEUGEOT PEUGEOT RENAULT | SAXO ZX 106 205 206 306 309 CLIO |

| | | |
|---------------|--|---|
| | RENAULT RENAULT RENAULT | R19 - CHAMADE R9 - R11 SUPER 5 |
| 3319-G | FIAT LANCIA LANCIA RENAULT RENAULT RENAULT RENAULT RENAULT RENAULT RENAULT RENAULT | CROMA BETA - TREVI THEMA - GAMMA ESPACE FUEGO R12 R17 R18 R21 - NEVADA R25 R30 R5 - R6 |
| 3320-G | ROVER | METRO |
| 3321-G | ROVER VOLVO VOLVO | METRO 140 - 164 240 - 260 |
| 3322-G | DAF ROVER ROVER ROVER SAAB SAAB SAAB | V200 FREIGHT - SHERPA 800 SERIES METRO TRIUMPH 900 9000 99 |
| 3323-G | ARO | 240 - 244 |
| 3324-G | FIAT FIAT FIAT FIAT FIAT FIAT FIAT LANCIA | 126 - 127 - 128 ARGENTA - NUOVA PANDA - MARBELLA REGATA RITMO - NUOVA UNO X 1-9 Y10 - A112 - FIRE LX |
| 3325-G | FIAT FIAT FIAT FIAT FIAT | ARGENTA - NUOVA PANDA - MARBELLA REGATA RITMO - NUOVA UNO |
| 3326-G | CITROËN CITROËN PEUGEOT PEUGEOT PEUGEOT RENAULT RENAULT RENAULT RENAULT | XSARA ZX 206 301 306 CLIO R19 - CHAMADE SUPER 5 TWINGO |
| 3327-G | MERCEDES | MB 100 (631) 81→97 |
| 3328-G | FORD MERCEDES NISSAN - DATSUN | MAVERICK MB 100 (631) 81→97 TERRANO |
| 3330-G | OPEL OPEL OPEL OPEL | ASCONA - MANTA CALIBRA COMBO CORSA (B SERIES) |

MANUFACTURAS WRKYNSON

www.wrakynson.com

Page 486 of 822



REPAIR KITS & THEIR APPLICATIONS



| | | |
|---------------|--|--|
| 3330-G | OPEL OPEL OPEL OPEL | CORSA (C SERIES) KADETT REKORD VECTRA |
| 3332-G | DAEWOO DAEWOO DAEWOO DAEWOO OPEL OPEL OPEL OPEL OPEL | ARANOS ESPERO LANOS NEXIA ASCONA - MANTA ASTRA (F SERIES) CALIBRA KADETT VECTRA |
| 3333-G | ISUZU ISUZU ISUZU OPEL | FASTER (PICK-UP - KB - KBG - KBD) SETA TROOPER MIDI |
| 3334-G | OPEL SUZUKI | RASCAL CARRY |
| 3335-G | OPEL | MIDI |
| 3336-G | OPEL OPEL OPEL OPEL OPEL | ASTRA (F SERIES) CALIBRA COMBO CORSA (B SERIES) TIGRA VECTRA |
| 3337-G | HONDA HONDA HONDA HONDA HONDA OPEL ROVER SUZUKI SUZUKI SUZUKI SUZUKI | ACCORD (I SERIES) 05-76→09-83 CIVIC (II SERIES) CIVIC (III SERIES) CRX PRELUDE RASCAL 200 - 400 SERIES ALTO CARRY FRONTE SWIFT |
| 3338-G | ISUZU ISUZU ISUZU ISUZU OPEL OPEL | CHEVROLET LUV PICK - UP FARGO FASTER (PICK-UP - KB - KBG - KBD) TROOPER FRONTERA MIDI |
| 3339-G | OPEL | MIDI |
| 3340-G | ISUZU OPEL | FARGO MIDI |
| 3342-G | NISSAN - DATSUN NISSAN - DATSUN NISSAN - DATSUN NISSAN - DATSUN NISSAN - DATSUN | BLUEBIRD PRAIRIE STANZA SUNNY - PULSAR - 100NX (B13 SERIES) VANETTE |
| 3343-G | NISSAN - DATSUN NISSAN - DATSUN NISSAN - DATSUN | CHERRY PRESEA SUNNY - PULSAR - 100NX (B13 SERIES) |

| | | |
|---------------|---|--|
| | SUBARU SUBARU SUBARU SUZUKI | JUSTY LIBERO MINI JUMBO VITARA - GRAND VITARA |
| 3344-G | NISSAN - DATSUN NISSAN - DATSUN | SENTRA SUNNY - PULSAR - 100NX (B13 SERIES) |
| 3345-G | ALFA ROMEO | 33 |
| 3346-G | AUDI AUDI AUDI | 100 (C3 SERIES) 82→90 100 (C4 SERIES) 90→95 80 - 90 (B3 SERIES) 86→91 |
| 3348-G | VOLKSWAGEN | GOLF (III SERIES) 08-91→07-98 |
| 3350-G | AUDI AUDI AUDI AUDI AUDI AUDI AUDI AUDI AUDI AUDI AUDI AUDI VOLKSWAGEN | 100 (C1 SERIES) 68→76 100 (C2 SERIES) 76→82 100 (C3 SERIES) 82→90 100 (C4 SERIES) 90→95 200 80 - 90 (B2 SERIES) 78→86 80 - 90 (B3 SERIES) 86→91 80 (B1 SERIES) 72→78 80 (B4 SERIES) 91→95 COUPE PASSAT (32B) 11-79→06-89 |
| 3351-G | AUDI AUDI AUDI AUDI AUDI VOLKSWAGEN | 100 (C2 SERIES) 76→82 100 (C3 SERIES) 82→90 200 80 - 90 (B2 SERIES) 78→86 80 (B1 SERIES) 72→78 PASSAT (32B) 11-79→06-89 |
| 3352-G | ROVER | MAESTRO |
| 3353-G | FORD LAND ROVER | TRANSIT (II SERIES) 78→86 RANGE ROVER |
| 3354-G | BMW | 3 SERIES (E30) 83→ |
| 3355-G | ALFA ROMEO ALFA ROMEO BMW OPEL OPEL | 33 ALFASUD SPRINT 3 SERIES (E30) 83→ ASCONA - MANTA KADETT |
| 3356-G | ALFA ROMEO ALFA ROMEO ALFA ROMEO ALFA ROMEO ALFA ROMEO ALFA ROMEO ALFA ROMEO ALFA ROMEO ALFA ROMEO ALFA ROMEO ALFA ROMEO AUDI AUDI AUDI AUDI BMW BMW BMW MITSUBISHI | 1.750 - 2.000 75 - 90 ALFETTA ALFETTA GIULIA GIULIETTA GIULIETTA GT GTV GTV SPIDER 100 (C1 SERIES) 68→76 60 - 75 80 (B1 SERIES) 72→78 COUPE 1502 - 2002TII (02) (E10 - E6) 66→77 3 SERIES (E21) 75→82 3 SERIES (E30) 83→ GALANT (I SERIES) 01-77→08-80 |

MANUFACTURAS WRKYNSON

www.wrakynson.com

Page 487 of 822



REPAIR KITS & THEIR APPLICATIONS



| | | |
|---------------|---------|-------------------|
| 3356-G | OPEL | ASCONA - MANTA |
| | OPEL | GT |
| | OPEL | KADETT |
| | OPEL | REKORD |
| | OPEL | REKORD |
| | PORSCHE | 911 |
| | TALBOT | HORIZON |
| | TALBOT | MATRA |
| | TALBOT | RANCHO |
| | TALBOT | SIMCA 1200 - 1100 |
| | TALBOT | SIMCA 900 - 1000 |

| | | |
|---------------|------------|---------------|
| 3357-G | ALFA ROMEO | COUPE SZ |
| | ALFA ROMEO | SPEEDSTER RZ |
| | FIAT | CROMA |
| | LANCIA | THEMA - GAMMA |

| | | |
|---------------|--------|--------------------|
| 3358-G | FIAT | MULTIPLA |
| | FIAT | PUNTO (176 SERIES) |
| | FIAT | TEMPRA |
| | FIAT | TIPO |
| | LANCIA | DEDRA |
| | LANCIA | YPSILON |

| | | |
|---------------|---------|--------------------------------------|
| 3359-G | CITROËN | ZX |
| | DACIA | LOGAN |
| | LADA | SAMARA (2108 - 2109) - FORMA (21099) |
| | PEUGEOT | 205 |
| | PEUGEOT | 309 |
| | RENAULT | CLIO |
| | RENAULT | EXPRESS |
| | RENAULT | FUEGO |
| | RENAULT | MEGANE |
| | RENAULT | MEGANE SCENIC |
| | RENAULT | R18 |
| | RENAULT | R19 - CHAMADE |
| | RENAULT | R21 - NEVADA |
| | RENAULT | R9 - R11 |
| | RENAULT | SUPER 5 |
| | RENAULT | THALIA |
| | RENAULT | TWINGO |
| | SEAT | RITMO - RONDA |

| | | |
|---------------|------------|---------|
| 3361-G | CITROËN | AX |
| | CITROËN | EVASION |
| | CITROËN | JUMPY |
| | CITROËN | ZX |
| | FIAT | SCUDO |
| | PEUGEOT | 306 |
| | PEUGEOT | 405 |
| | PEUGEOT | 605 |
| | PEUGEOT | 806 |
| | PEUGEOT | EXPERT |
| | RENAULT | SAFRANE |
| | SEAT | AROSA |
| | SEAT | CORDOBA |
| | SEAT | IBIZA |
| | SEAT | INCA |
| | SEAT | TOLEDO |
| | VOLKSWAGEN | CADDY |

| | | |
|--|------------|--|
| | VOLKSWAGEN | CORRADO |
| | VOLKSWAGEN | GOLF (II SERIES) 08-83→12-92 |
| | VOLKSWAGEN | GOLF (III SERIES) 08-91→07-98 |
| | VOLKSWAGEN | JETTA (II SERIES) 08-83→12-92 |
| | VOLKSWAGEN | PASSAT (3A2 - 351 - 3A5 - 351) 02-88→12-97 |
| | VOLKSWAGEN | TRANSPORTER (IV SERIES) 07-90→04-03 |
| | VOLKSWAGEN | VENTO |

| | | |
|---------------|---------|--------|
| 3365-G | CITROËN | XANTIA |
|---------------|---------|--------|

| | | |
|---------------|---------|--------|
| 3366-G | CITROËN | XANTIA |
|---------------|---------|--------|

| | | |
|--|---------|----|
| | CITROËN | XM |
|--|---------|----|

| | | |
|---------------|---------|--------|
| 3367-G | CITROËN | XANTIA |
| | CITROËN | XM |

| | | |
|---------------|------------|---|
| 3370-G | BMW | 1500 - 2000CS (115 - 116 - 118 - 121) 10-62→11-72 |
| | BMW | 2.5 - 3.3LI (E3) 10 - 68→ |
| | BMW | 2.5CS - 3.0CSL (E9) 06-70→ |
| | BMW | 5 SERIES (E12) 72→81 |
| | BMW | 6 SERIES (E24) 76→88 |
| | MERCEDES | 123 - 200 - 300 (W123 SERIES) 76→86 |
| | MERCEDES | CABRIOLET HECKFLOSSE (W110-W111) 59→72 |
| | MERCEDES | COUPE (C123) 3-77→12-85 |
| | MERCEDES | COUPE (W111) 1-61→12-71 |
| | MERCEDES | KOMBI T MODEL (S123) 9-77→12-85 |
| | MERCEDES | PAGODE (W113) 63→72 |
| | MERCEDES | S-CLASS (W108-W109) 1-66→8-72 |
| | OPEL | ADMIRAL |
| | PORSCHE | 911 |
| | VOLKSWAGEN | 1.200 - 1.300 - 1.500 - 1.600 BEETLE |

| | | |
|---------------|------------|---------|
| 3371-G | ALFA ROMEO | 75 - 90 |
|---------------|------------|---------|

| | | |
|--|------------|---------|
| | ALFA ROMEO | ALFETTA |
|--|------------|---------|

| | | |
|--|------------|-----------|
| | ALFA ROMEO | GIULIETTA |
|--|------------|-----------|

| | | |
|--|------------|-----|
| | ALFA ROMEO | GTV |
|--|------------|-----|

| | | |
|--|------------|----------|
| | ALFA ROMEO | MONTREAL |
|--|------------|----------|

| | | |
|--|------------|--------|
| | ALFA ROMEO | SPIDER |
|--|------------|--------|

| | | |
|--|----------|-------------------------------------|
| | MERCEDES | 123 - 200 - 300 (W123 SERIES) 76→86 |
|--|----------|-------------------------------------|

| | | |
|--|----------|-------------------|
| | MERCEDES | 8 (W114) 68→02-77 |
|--|----------|-------------------|

| | | |
|--|----------|------------------|
| | MERCEDES | 8 (W115) 68→2-77 |
|--|----------|------------------|

| | | |
|--|----------|-------------------------|
| | MERCEDES | COUPE (C123) 3-77→12-85 |
|--|----------|-------------------------|

| | | |
|--|----------|---------------------|
| | MERCEDES | PAGODE (W113) 63→72 |
|--|----------|---------------------|

| | | |
|--|----------|--------------------------|
| | MERCEDES | S-CLASS (W116) 8-72→7-80 |
|--|----------|--------------------------|

| | | |
|--|----------|---------------------------|
| | MERCEDES | S-CLASS (W126) 10-79→6-91 |
|--|----------|---------------------------|

| | | |
|--|----------|---------------------|
| | MERCEDES | SL (R107) 5-71→9-89 |
|--|----------|---------------------|

| | | |
|--|----------|----------------------------|
| | MERCEDES | SL COUPE (C107) 01-72→9-81 |
|--|----------|----------------------------|

| | | |
|--|---------|-----|
| | PORSCHE | 914 |
|--|---------|-----|

| | | |
|--|-------|-----------|
| | VOLVO | 140 - 164 |
|--|-------|-----------|

| | | |
|--|-------|-----------|
| | VOLVO | 240 - 260 |
|--|-------|-----------|

| | | |
|---------------|------------|---------|
| 3372-G | ALFA ROMEO | ALFASUD |
|---------------|------------|---------|

| | | |
|---------------|------------|---------|
| 3373-G | ALFA ROMEO | ALFASUD |
|---------------|------------|---------|

| | | |
|--|------------|----------------|
| | ALFA ROMEO | ALFASUD SPRINT |
|--|------------|----------------|

| | | |
|--|------|---------|
| | AUDI | 60 - 75 |
|--|------|---------|

| | | |
|--|------|----------------------|
| | AUDI | 80 (B1 SERIES) 72→78 |
|--|------|----------------------|

| | | |
|--|-----|--------------|
| | DAF | 44 - 55 - 66 |
|--|-----|--------------|

| | | |
|--|------|----------------|
| | FORD | ESCORT - ORION |
|--|------|----------------|

| | | |
|--|------|--------|
| | OPEL | REKORD |
|--|------|--------|



REPAIR KITS & THEIR APPLICATIONS



| | | |
|---------------|-----------------|---|
| 3373-G | SAAB | 99 |
| | VOLKSWAGEN | K70 |
| | VOLKSWAGEN | PASSAT (32 - 33) 05-73→07-80 |
| 3374-G | AUDI | 60 - 75 |
| 3375-G | CITROËN | AX |
| | CITROËN | XSARA |
| | CITROËN | ZX |
| | PEUGEOT | 207 |
| | PEUGEOT | 306 |
| | PEUGEOT | 309 |
| | PEUGEOT | 405 |
| | PEUGEOT | 406 |
| 3376-G | CITROËN | SAXO |
| | FIAT | TEMPRA |
| | FIAT | TIPO |
| | LANCIA | DEDRA |
| | PEUGEOT | 106 |
| 3377-G | SEAT | IBIZA |
| | SEAT | MALAGA |
| 3378-G | NISSAN - DATSUN | SERENA |
| | NISSAN - DATSUN | VANETTE |
| 3379-G | NISSAN - DATSUN | A10 |
| | NISSAN - DATSUN | BLUEBIRD |
| | NISSAN - DATSUN | C120 |
| | NISSAN - DATSUN | PRAIRIE |
| | NISSAN - DATSUN | PRIMERA |
| | NISSAN - DATSUN | STANZA |
| | NISSAN - DATSUN | SUNNY - PULSAR - 100NX (B13 SERIES) |
| | NISSAN - DATSUN | TERRANO |
| | NISSAN - DATSUN | URVAN |
| | NISSAN - DATSUN | VANETTE |
| 3380-G | NISSAN - DATSUN | 140 2TON TRUCK |
| | NISSAN - DATSUN | 300ZX |
| | NISSAN - DATSUN | A10 |
| | NISSAN - DATSUN | C120 |
| | NISSAN - DATSUN | CABSTAR - ATLAS |
| | NISSAN - DATSUN | CEDRIC |
| | NISSAN - DATSUN | CIVILIAN - CAVALLIER - CLIPPER |
| | NISSAN - DATSUN | DATSUN 100 - 2.200D SERIES |
| | NISSAN - DATSUN | LAUREL |
| | NISSAN - DATSUN | PICK-UP |
| | NISSAN - DATSUN | SERENA |
| | NISSAN - DATSUN | SKYLINE |
| | NISSAN - DATSUN | SUNNY - PULSAR - 100NX (B13 SERIES) |
| | NISSAN - DATSUN | TERRANO |
| | NISSAN - DATSUN | VANETTE |
| 3381-G | RENAULT | TRAFIC |
| 3382-G | LADA | 2101 - 2102 - 2103 - 2104 - 2105 - 2106 |
| | LADA | NATACHA |
| | LADA | NIVA (2121) |
| | LADA | NOVA |
| | LADA | SAMARA (2108 - 2109) - FORMA (21099) |
| 3383-G | LANCIA | BETA - TREVİ |
| 3384-G | ALFA ROMEO | 145 - 146 |

| | | |
|---------------|------------|--------------------------------------|
| | ALFA ROMEO | 155 |
| | ALFA ROMEO | 33 |
| | ALFA ROMEO | COUPE SZ |
| | ALFA ROMEO | GTV |
| | ALFA ROMEO | SPEEDSTER RZ |
| | ALFA ROMEO | SPIDER |
| | FIAT | BARCETTA |
| | FIAT | BRAVO - BRAVA |
| | FIAT | COUPE |
| | FIAT | MAREA |
| | FIAT | PUNTO (176 SERIES) |
| | FIAT | TEMPRA |
| | FIAT | TIPO |
| | FORD | FOCUS |
| | LANCIA | DEDRA |
| | LANCIA | DELTA - PRISMA |
| | RENAULT | CLIO |
| | RENAULT | MEGANE |
| | RENAULT | MEGANE SCENIC |
| | RENAULT | MODUS |
| | RENAULT | SCENIC |
| 3387-G | RENAULT | R.V.I (RENAULT TRUCKS) |
| 3388-G | ALFA ROMEO | 75 - 90 |
| | ALFA ROMEO | COUPE SZ |
| | ALFA ROMEO | SPEEDSTER RZ |
| 3389-G | ALFA ROMEO | 145 - 146 |
| | ALFA ROMEO | 155 |
| | ALFA ROMEO | 164 |
| 3390-G | AUDI | 60 - 75 |
| | DAF | 44 - 55 - 66 |
| | OPEL | KADETT |
| | VOLKSWAGEN | 1.200 - 1.300 - 1.500 - 1.600 BEETLE |
| 3391-G | ALFA ROMEO | 166 |
| | AUDI | 100 (C3 SERIES) 82→90 |
| | AUDI | 100 (C4 SERIES) 90→95 |
| | AUDI | A4 (B5 SERIES) 94→01 |
| | AUDI | A4 (B6 SERIES) 01→05 |
| | AUDI | A4 (B7 SERIES) 05→07 |
| | AUDI | A6 (C4 SERIES) 94→97 |
| | AUDI | A6 (C5 SERIES) 97→04 |
| | AUDI | A6 (C6 SERIES) 04→11 |
| | BMW | 5 SERIES (E28) 81→88 |
| | BMW | 6 SERIES (E24) 76→88 |
| | FORD | GALAXY |
| | KIA | CLARUS |
| | LANCIA | KAPPA |
| | MERCEDES | C-CLASS (T202) 6-96→3-01 |
| | MERCEDES | C-CLASS (W202) 3-93→5-00 |
| | MERCEDES | CLK (C208-C209) 6-97→ |
| | MERCEDES | E-CLASS (W210-S210-T210) 6-95→3-03 |
| | MERCEDES | SLK (R170) 4-96→4-04 |
| | OPEL | ASTRA (G SERIES) |
| | OPEL | ASTRA (H SERIES) |
| | OPEL | COMBO |
| | OPEL | CORSA (C SERIES) |
| | OPEL | MERIVA |

MANUFACTURAS WRKYNSON

www.wrakynson.com

Page 489 of 822



REPAIR KITS & THEIR APPLICATIONS



| | | |
|---------------|------------|--|
| 3391-G | OPEL | VECTRA |
| | OPEL | ZAFIRA |
| | PEUGEOT | 605 |
| | SAAB | 9.3 |
| | SAAB | 9.5 |
| | SAAB | 900 |
| | SAAB | 9000 |
| | SEAT | ALHAMBRA |
| | SKODA | SUPERB |
| | TOYOTA | AVENSIS |
| | VOLKSWAGEN | PASSAT (3B2 - 3B5) 08-96→12-01 |
| | VOLKSWAGEN | PASSAT (3B3 - 3B6) 11-00→05-05 |
| | VOLKSWAGEN | SHARAN |
| | VOLKSWAGEN | TRANSPORTER (IV SERIES) 07-90→04-03 |
| | VOLVO | 850 |
| | VOLVO | 940 - 960 |
| | VOLVO | S70 - V70 - C70 |

| | | |
|---------------|--------|---------------------------------|
| 3393-G | DAEWOO | LACETTI |
| | HONDA | ACCORD (III SERIES) 11-85→12-89 |
| | HONDA | CRX |
| | HONDA | INTEGRA |
| | HONDA | PRELUDE |

| | | |
|---------------|-----|--|
| 3395-G | BMW | 1500 - 2000CS (115 - 116 - 118 - 121) 10-62→11-72 |
| | BMW | 2.5 - 3.3LI (E3) 10 - 68→ |
| | BMW | 2.5CS - 3.0CSL (E9) 06-70→ |
| | BMW | 5 SERIES (E12) 72→81 |
| | BMW | 6 SERIES (E24) 76→88 |

| | | |
|---------------|------------|--|
| 3396-G | ALFA ROMEO | 6 |
| | ALFA ROMEO | 75 - 90 |
| | BMW | 1500 - 2000CS (115 - 116 - 118 - 121) 10-62→11-72 |
| | BMW | 1502 - 2002TII (02) (E10 - E6) 66→77 |
| | BMW | 2.5 - 3.3LI (E3) 10 - 68→ |
| | BMW | 2.5CS - 3.0CSL (E9) 06-70→ |
| | BMW | 5 SERIES (E12) 72→81 |
| | BMW | 5 SERIES (E12) 72→81 |
| | BMW | 5 SERIES (E28) 81→88 |
| | BMW | 6 SERIES (E24) 76→88 |
| | BMW | 6 SERIES (E24) 76→88 |
| | BMW | 7 SERIES (E23) 77→86 |
| | FORD | SIERRA |
| | MERCEDES | SL (R107) 5-71→9-89 |

| | | |
|---------------|-------|--|
| 3397-G | BMW | 1500 - 2000CS (115 - 116 - 118 - 121) 10-62→11-72 |
| | BMW | 1502 - 2002TII (02) (E10 - E6) 66→77 |
| | BMW | 5 SERIES (E12) 72→81 |
| | VOLVO | 240 - 260 |
| | VOLVO | 740 - 760 - 780 |
| | VOLVO | 940 - 960 |
| | VOLVO | S90 - V90 |

| | | |
|---------------|-----|----------------------|
| 3398-G | BMW | 5 SERIES (E28) 81→88 |
|---------------|-----|----------------------|

| | | |
|---------------|-----|-----------------------------|
| 3399-G | BMW | 1 SERIES (E81 - E87) 09-04→ |
| | BMW | 2.5 - 3.3LI (E3) 10 - 68→ |
| | BMW | 2.5CS - 3.0CSL (E9) 06-70→ |
| | BMW | 3 SERIES (E30) 83→ |
| | BMW | 3 SERIES (E36) 91→ |
| | BMW | 3 SERIES (E90) 05→ |

| | | |
|--|-----|-----------------------|
| | BMW | 3 TOURING (E91) 05→ |
| | BMW | 5 SERIES (E28) 81→88 |
| | BMW | 5 SERIES (E34) 88→ |
| | BMW | 5 SERIES (E39) 96→ |
| | BMW | 5 SERIES (E60) 07-03→ |
| | BMW | 7 SERIES (E23) 77→86 |
| | BMW | 7 SERIES (E32) 87→ |

| | | |
|---------------|---------|----|
| 3400-G | CITROËN | AX |
|---------------|---------|----|

| | | |
|---------------|---------|--------|
| 3401-G | CITROËN | BX |
| | CITROËN | XANTIA |
| | CITROËN | XM |

| | | |
|---------------|----------|----------------|
| 3402-G | CITROËN | BERLINGO |
| | CITROËN | EVASION |
| | CITROËN | ZX |
| | FIAT | ULYSSE |
| | FORD | ESCORT - ORION |
| | LANCIA | ZETA |
| | MERCEDES | SPRINTER |

| | | |
|--|-----------------|-------------------------------|
| | MERCEDES | (BM901-902-903-904-905) 95→06 |
| | MERCEDES | V-CLASS (BM638-2) 2-96→7-03 |
| | NISSAN - DATSUN | VITO (BM638) 02-96→7-03 |

| | | |
|--|---------|---------|
| | PEUGEOT | PRIMERA |
| | PEUGEOT | 306 |
| | PEUGEOT | 405 |
| | PEUGEOT | 406 |
| | PEUGEOT | 806 |
| | PEUGEOT | PARTNER |
| | RENAULT | ESPACE |
| | RENAULT | LAGUNA |
| | RENAULT | MEGANE |
| | RENAULT | SAFRANE |

| | | |
|---------------|------------|----------------------------|
| 3403-G | DAF | V200 FREIGHT - SHERPA |
| | DAF | V400 |
| | FORD | TRANSIT (III SERIES) 86→00 |
| | LAND ROVER | 90 - 110 |
| | LAND ROVER | DEFENDER |

| | | |
|---------------|-----|-------------------------------|
| 3404-G | DAF | F45 - F600 - F800 - F1000 →95 |
|---------------|-----|-------------------------------|

| | | |
|---------------|--------|-------------------------|
| 3405-G | FORD | FIESTA |
| | SUZUKI | SJ410 - SJ413 - SAMURAI |

| | | |
|---------------|------|--------|
| 3406-G | FORD | FIESTA |
|---------------|------|--------|

| | | |
|---------------|------|--------|
| 3407-G | FORD | FIESTA |
|---------------|------|--------|

| | | |
|---------------|------|--------|
| 3408-G | FORD | FIESTA |
|---------------|------|--------|

| | | |
|---------------|------|--------|
| 3409-G | FORD | FIESTA |
|---------------|------|--------|

| | | |
|---------------|-------|----------------|
| 3410-G | FORD | COURIER |
| | FORD | ESCORT - ORION |
| | FORD | FIESTA |
| | MAZDA | 121 |

| | | |
|---------------|-------|---------|
| 3411-G | FORD | COURIER |
| | FORD | FIESTA |
| | MAZDA | 121 |

| | | |
|---------------|------|---------------------------|
| 3413-G | FORD | COUGAR |
| | FORD | ESCORT - ORION |
| | FORD | MONDEO |
| | FORD | TRANSIT (IV SERIES) 00→06 |

| | | |
|---------------|------|---------|
| 3414-G | FORD | SCORPIO |
| | FORD | SIERRA |

| | | |
|---------------|------|--------|
| 3415-G | FORD | SIERRA |
|---------------|------|--------|

MANUFACTURAS WRAKYNSON

www.wrakynson.com

Page 490 of 822



REPAIR KITS & THEIR APPLICATIONS



| | | |
|---------------|-----------------|-------------------------------------|
| 3417-G | FORD | SIERRA |
| 3418-G | FORD | SIERRA |
| 3419-G | ALFA ROMEO | ALFASUD |
| | ALFA ROMEO | ALFASUD SPRINT |
| | BMW | 7 SERIES (E23) 77→86 |
| | OPEL | CALIBRA |
| | OPEL | VECTRA |
| | PORSCHE | 914 |
| 3420-G | BMW | 3 SERIES (E21) 75→82 |
| 3421-G | BMW | 3 SERIES (E21) 75→82 |
| 3422-G | BMW | 3 SERIES (E30) 83→ |
| | BMW | 5 SERIES (E28) 81→88 |
| | BMW | 6 SERIES (E24) 76→88 |
| | BMW | 7 SERIES (E23) 77→86 |
| | SAAB | 900 |
| | SAAB | 9000 |
| | VOLVO | 440 - 460 - 480 |
| 3424-G | BMW | 5 SERIES (E28) 81→88 |
| | BMW | 6 SERIES (E24) 76→88 |
| | VOLKSWAGEN | LT SERIES |
| 3425-G | BMW | 5 SERIES (E34) 88→ |
| | BMW | 7 SERIES (E32) 87→ |
| | BMW | 8 SERIES (E31) 90→ |
| | BMW | Z1 |
| 3426-G | BMW | 5 SERIES (E34) 88→ |
| | BMW | 7 SERIES (E32) 87→ |
| | BMW | 7 SERIES (E38) 94→ |
| 3427-G | BMW | 5 SERIES (E28) 81→88 |
| 3428-G | BMW | 5 SERIES (E28) 81→88 |
| 3429-G | BMW | 3 SERIES (E36) 91→ |
| | BMW | 5 SERIES (E34) 88→ |
| | BMW | 7 SERIES (E32) 87→ |
| | SAAB | 9.3 |
| | SAAB | 9.5 |
| 3430-G | LADA | NIVA (2121) |
| 3431-G | NISSAN - DATSUN | 200SX |
| | NISSAN - DATSUN | 300ZX |
| | NISSAN - DATSUN | CABSTAR - ATLAS |
| | NISSAN - DATSUN | CEDRIC |
| | NISSAN - DATSUN | CHERRY |
| | NISSAN - DATSUN | DATSUN 100 - 2.200D SERIES |
| | NISSAN - DATSUN | LAUREL |
| | NISSAN - DATSUN | MAXIMA |
| | NISSAN - DATSUN | PATROL |
| | NISSAN - DATSUN | PICK-UP |
| | NISSAN - DATSUN | PRAIRIE |
| | NISSAN - DATSUN | PRIMERA |
| | NISSAN - DATSUN | SERENA |
| | NISSAN - DATSUN | STANZA |
| | NISSAN - DATSUN | SUNNY - PULSAR - 100NX (B13 SERIES) |
| | NISSAN - DATSUN | TERRANO |
| | NISSAN - DATSUN | URVAN |
| | NISSAN - DATSUN | VANETTE |
| 3433-G | CITROËN | AX |
| | DACIA | LOGAN |
| | PEUGEOT | 106 |

| | | |
|---------------|----------|---|
| | PEUGEOT | 206 |
| | RENAULT | CLIO |
| | RENAULT | R19 - CHAMADE |
| 3434-G | RENAULT | ALPINE |
| | RENAULT | ESPACE |
| | RENAULT | R20 |
| | RENAULT | R21 - NEVADA |
| | RENAULT | R25 |
| | RENAULT | R30 |
| | RENAULT | TRAFIC |
| 3435-G | RENAULT | R20 |
| | RENAULT | R25 |
| | RENAULT | R30 |
| | RENAULT | TRAFIC |
| 3437-G | RENAULT | R30 |
| | RENAULT | TRAFIC |
| 3438-G | FORD | COUGAR |
| | FORD | MONDEO |
| | FORD | SCORPIO |
| | FORD | SIERRA |
| 3439-G | AUDI | 100 (C3 SERIES) 82→90 |
| | AUDI | 100 (C4 SERIES) 90→95 |
| | AUDI | 200 |
| | AUDI | A6 (C4 SERIES) 94→97 |
| | AUDI | QUATTRO |
| | AUDI | V8 |
| | FORD | ESCORT - ORION |
| | FORD | GRANADA - CONSUL |
| | FORD | SCORPIO |
| | FORD | SIERRA |
| 3440-G | ISUZU | CHEVROLET LUV PICK - UP |
| | ISUZU | FASTER (PICK-UP - KB - KBG - KBD) |
| | ISUZU | SETA |
| | ISUZU | TROOPER |
| 3441-G | ISUZU | CHEVROLET LUV PICK - UP |
| | ISUZU | FASTER (PICK-UP - KB - KBG - KBD) |
| | ISUZU | TROOPER |
| 3442-G | LADA | 2101 - 2102 - 2103 - 2104 - 2105 - 2106 |
| 3443-G | LADA | SAMARA (2108 - 2109) - FORMA (21099) |
| 3444-G | MERCEDES | 190 (W201) 10-82→08-93 |
| | MERCEDES | C-CLASS (T202) 6-96→3-01 |
| | MERCEDES | C-CLASS (W202) 3-93→5-00 |
| 3445-G | MERCEDES | 123 - 200 - 300 (W123 SERIES) 76→86 |
| | MERCEDES | 124 - 200 - 500 (W124 SERIES) 85→06-93 |
| | MERCEDES | 190 (W201) 10-82→08-93 |
| | MERCEDES | CABRIOLET (A124) 9-91→6-93 |
| | MERCEDES | C-CLASS (T202) 6-96→3-01 |
| | MERCEDES | C-CLASS (W202) 3-93→5-00 |
| | MERCEDES | CLK (A208-A209) 3-98→ |
| | MERCEDES | E-CLASS (W124-S124) 6-93→6-96 |
| | MERCEDES | KOMBI T MODEL (S124) 9-85→06-93 |
| | MERCEDES | S-CLASS (W116) 8-72→7-80 |
| | MERCEDES | S-CLASS (W126) 10-79→6-91 |

MANUFACTURAS WRAKYNSON

www.wrakynson.com

Page 491 of 822



REPAIR KITS & THEIR APPLICATIONS



| | | |
|---------------|----------|--|
| 3453-G | MERCEDES | CABRIOLET HECKFLOSSE (W110-W111) 59→72 |
| | MERCEDES | COUPE (W111) 1-61→12-71 |
| | MERCEDES | S-CLASS (W108-W109) 1-66→8-72 |
| | MERCEDES | S-CLASS (W116) 8-72→7-80 |
| | MERCEDES | SL (R107) 5-71→9-89 |
| | MERCEDES | T2-L (BM309-310) 1-68→12-88 |
| 3454-G | MERCEDES | 123 - 200 - 300 (W123 SERIES) 76→86 |
| | MERCEDES | S-CLASS (W116) 8-72→7-80 |
| | MERCEDES | S-CLASS (W126) 10-79→6-91 |
| | MERCEDES | SL (R107) 5-71→9-89 |
| 3455-G | MERCEDES | 123 - 200 - 300 (W123 SERIES) 76→86 |
| 3456-G | MERCEDES | 123 - 200 - 300 (W123 SERIES) 76→86 |
| | MERCEDES | COUPE (C123) 3-77→12-85 |
| | MERCEDES | KOMBI T MODEL (S123) 9-77→12-85 |
| | MERCEDES | S-CLASS (W116) 8-72→7-80 |
| | MERCEDES | S-CLASS (W126) 10-79→6-91 |
| | MERCEDES | SL (R107) 5-71→9-89 |
| | MERCEDES | SL COUPE (C107) 01-72→9-81 |
| 3457-G | MERCEDES | S-CLASS (W126) 10-79→6-91 |
| | MERCEDES | S-CLASS COUPE (C126) 10-81→6-91 |
| 3458-G | MERCEDES | C-CLASS (W202) 3-93→5-00 |
| 3459-G | IVECO | DAILY (I SERIES) 06-78→12-89 |
| | MERCEDES | G-CLASS (W460-461-463) 79→ |
| | MERCEDES | T1 (BM601 - BM602) 5-77→ |
| | MERCEDES | T1-TN (BM611) 6-81→ |
| 3460-G | MERCEDES | 123 - 200 - 300 (W123 SERIES) 76→86 |
| | MERCEDES | 8 (W114) 68→02-77 |
| | MERCEDES | 8 (W115) 68→2-77 |
| | MERCEDES | CABRIOLET HECKFLOSSE (W110-W111) 59→72 |
| | MERCEDES | COUPE (W111) 1-61→12-71 |
| | MERCEDES | G-CLASS (W460-461-463) 79→ |
| | MERCEDES | S-CLASS (W108-W109) 1-66→8-72 |
| | MERCEDES | S-CLASS (W116) 8-72→7-80 |
| | MERCEDES | S-CLASS (W126) 10-79→6-91 |
| | MERCEDES | SL (R107) 5-71→9-89 |
| | MERCEDES | T1 (BM601 - BM602) 5-77→ |
| | MERCEDES | T1-TN (BM611) 6-81→ |
| | MERCEDES | T2-L (BM309-310) 1-68→12-88 |
| 3461-G | MERCEDES | 123 - 200 - 300 (W123 SERIES) 76→86 |
| | MERCEDES | 124 - 200 - 500 (W124 SERIES) 85→06-93 |
| | MERCEDES | 190 (W201) 10-82→08-93 |
| | MERCEDES | C-CLASS (T202) 6-96→3-01 |
| | MERCEDES | C-CLASS (W202) 3-93→5-00 |
| | MERCEDES | CLK (A208-A209) 3-98→ |
| | MERCEDES | E-CLASS (W124-S124) 6-93→6-96 |
| | MERCEDES | E-CLASS (W210-S210-T210) 6-95→3-03 |
| | MERCEDES | G-CLASS (W460-461-463) 79→ |
| | MERCEDES | KOMBI T MODEL (S124) 9-85→06-93 |
| | MERCEDES | S-CLASS (W116) 8-72→7-80 |
| | MERCEDES | S-CLASS (W126) 10-79→6-91 |

| | | |
|---------------|------------|--|
| | MERCEDES | S-CLASS (W140) 2-91→10-98 |
| | MERCEDES | SL (R107) 5-71→9-89 |
| | MERCEDES | SL (R129) 3-89→10-01 |
| | MERCEDES | SLK (R170) 4-96→4-04 |
| 3462-G | SKODA | RAPID |
| | SKODA | S100 - 105 - 110 - 120 - 130 - 136 |
| 3463-G | SKODA | FAVORIT |
| 3464-G | SKODA | S100 - 105 - 110 - 120 - 130 - 136 |
| 3465-G | SKODA | S100 - 105 - 110 - 120 - 130 - 136 |
| 3466-G | U.M.M. | JABATO |
| | VOLVO | 740 - 760 - 780 |
| | VOLVO | 940 - 960 |
| 3467-G | AUDI | A4 (B5 SERIES) 94→01 |
| | AUDI | A6 (C5 SERIES) 97→04 |
| | LANCIA | KAPPA |
| | PORSCHE | 911 |
| | PORSCHE | BOXTER |
| | VOLKSWAGEN | PASSAT (3B2 - 3B5) 08-96→12-01 |
| 3468-G | AUDI | 100 (C4 SERIES) 90→95 |
| | AUDI | 80 - 90 (B3 SERIES) 86→91 |
| | AUDI | 80 (B4 SERIES) 91→95 |
| | AUDI | A4 (B5 SERIES) 94→01 |
| | AUDI | A6 (C4 SERIES) 94→97 |
| | AUDI | A6 (C5 SERIES) 97→04 |
| | AUDI | A8 (4D SERIES) 94→03 |
| | AUDI | COUPE |
| | PORSCHE | BOXTER |
| | VOLKSWAGEN | PASSAT (3B2 - 3B5) 08-96→12-01 |
| 3469-G | AUDI | A4 (B5 SERIES) 94→01 |
| | AUDI | A6 (C5 SERIES) 97→04 |
| | VOLKSWAGEN | PASSAT (3B2 - 3B5) 08-96→12-01 |
| | VOLKSWAGEN | PASSAT (3B3 - 3B6) 11-00→05-05 |
| 3472-G | AUDI | 100 (C2 SERIES) 76→82 |
| | AUDI | 100 (C3 SERIES) 82→90 |
| | AUDI | 100 (C4 SERIES) 90→95 |
| | AUDI | 200 |
| | AUDI | A6 (C4 SERIES) 94→97 |
| 3473-G | AUDI | A6 (C4 SERIES) 94→97 |
| 3474-G | SEAT | AROSA |
| | SEAT | CORDOBA |
| | SEAT | IBIZA |
| | VOLKSWAGEN | GOLF (III SERIES) 08-91→07-98 |
| | VOLKSWAGEN | LUPO |
| | VOLKSWAGEN | VENTO |
| 3475-G | SEAT | CORDOBA |
| | SEAT | IBIZA |
| | SEAT | INCA |
| | SEAT | TOLEDO |
| | VOLKSWAGEN | CADDY |
| | VOLKSWAGEN | CORRADO |
| | VOLKSWAGEN | GOLF (III SERIES) 08-91→07-98 |
| | VOLKSWAGEN | PASSAT (3A2 - 351 - 3A5 - 351) 02-88→12-97 |
| | VOLKSWAGEN | POLO (III SERIES) 09-94→10-01 |
| | VOLKSWAGEN | TRANSPORTER (IV SERIES) 07-90→04-03 |
| | VOLKSWAGEN | VENTO |
| 3476-G | VOLKSWAGEN | GOLF (II SERIES) 08-83→12-92 |

MANUFACTURAS WRKYNSON

www.wrakynson.com

Page 493 of 822



REPAIR KITS & THEIR APPLICATIONS



| | | |
|---------------|------------|-------------------------------|
| 3476-G | VOLKSWAGEN | JETTA (II SERIES) 08-83→12-92 |
| | VOLKSWAGEN | PASSAT (32 - 33) 05-73→07-80 |
| | VOLKSWAGEN | PASSAT (32B) 11-79→06-89 |
| | VOLKSWAGEN | POLO (I SERIES) 03-75→09-81 |
| | VOLKSWAGEN | POLO (II SERIES) 10-81→09-94 |
| | VOLKSWAGEN | SANTANA |
| | VOLKSWAGEN | SCIROCCO |

| | | |
|---------------|------------|---|
| 3477-G | VOLKSWAGEN | CORRADO |
| | VOLKSWAGEN | GOLF (III SERIES) 08-91→07-98 |
| | VOLKSWAGEN | PASSAT (3A2 - 35I - 3A5 - 35I) 02-88→12-97 |
| | VOLKSWAGEN | TRANSPORTER (IV SERIES) 07-90→04-03 |
| | VOLKSWAGEN | VENTO |

| | | |
|---------------|------------|---|
| 3478-G | SEAT | TOLEDO |
| | VOLKSWAGEN | CORRADO |
| | VOLKSWAGEN | GOLF (I SERIES) 04-74→12-85 |
| | VOLKSWAGEN | GOLF (II SERIES) 08-83→12-92 |
| | VOLKSWAGEN | GOLF (III SERIES) 08-91→07-98 |
| | VOLKSWAGEN | JETTA (I SERIES) 08-78→02-84 |
| | VOLKSWAGEN | JETTA (II SERIES) 08-83→12-92 |
| | VOLKSWAGEN | PASSAT (3A2 - 35I - 3A5 - 35I) 02-88→12-97 |
| | VOLKSWAGEN | TRANSPORTER (IV SERIES) 07-90→04-03 |
| | VOLKSWAGEN | VENTO |

| | | |
|---------------|------------|---|
| 3479-G | AUDI | 50 |
| | AUDI | 80 - 90 (B3 SERIES) 86→91 |
| | AUDI | 80 (B4 SERIES) 91→95 |
| | SKODA | FABIA |
| | VOLKSWAGEN | CADDY |
| | VOLKSWAGEN | GOLF (III SERIES) 08-91→07-98 |
| | VOLKSWAGEN | PASSAT (3A2 - 35I - 3A5 - 35I) 02-88→12-97 |
| | VOLKSWAGEN | POLO (III SERIES) 09-94→10-01 |
| | VOLKSWAGEN | POLO CLASSIC |

| | | |
|---------------|------------|-------------------------------|
| 3480-G | AUDI | 80 - 90 (B2 SERIES) 78→86 |
| | AUDI | 80 - 90 (B3 SERIES) 86→91 |
| | AUDI | A2 |
| | AUDI | COUPE |
| | SEAT | AROSA |
| | VOLKSWAGEN | GOLF (III SERIES) 08-91→07-98 |
| | VOLKSWAGEN | LUPO |
| | VOLKSWAGEN | PASSAT (32B) 11-79→06-89 |
| | VOLKSWAGEN | POLO CLASSIC |
| | VOLKSWAGEN | SANTANA |

| | | |
|---------------|------------|-----------------|
| 3481-G | ALFA ROMEO | 164 |
| | CITROËN | EVASION |
| | CITROËN | JUMPY |
| | CITROËN | XSARA |
| | CITROËN | ZX |
| | FIAT | SCUDO |
| | FIAT | ULYSSE |
| | LANCIA | KAPPA |
| | LANCIA | ZETA |
| | OPEL | OMEGA |
| | OPEL | SENATOR - MONZA |
| | PEUGEOT | 306 |
| | PEUGEOT | 405 |

| | | |
|--|---------|--------|
| | PEUGEOT | 806 |
| | PEUGEOT | EXPERT |

| | | |
|---------------|---------|---------|
| 3482-G | CITROËN | AX |
| | CITROËN | EVASION |
| | CITROËN | JUMPY |
| | CITROËN | SAXO |
| | FIAT | SCUDO |
| | FIAT | STRADA |
| | FIAT | ULYSSE |
| | PEUGEOT | 806 |
| | PEUGEOT | EXPERT |

| | | |
|---------------|---------|--------------------|
| 3483-G | BMW | 3 SERIES (E36) 91→ |
| | BMW | Z1 |
| | BMW | Z3 |
| | CITROËN | EVASION |
| | FIAT | ULYSSE |
| | JAGUAR | XJ - XJS |
| | LANCIA | ZETA |
| | PEUGEOT | 806 |
| | ROVER | 75 SERIES |

| | | |
|---------------|---------|---------------|
| 3486-G | PEUGEOT | 106 |
| | PEUGEOT | 205 |
| | PEUGEOT | 306 |
| | PEUGEOT | 309 |
| | RENAULT | CLIO |
| | RENAULT | MEGANE |
| | RENAULT | R19 - CHAMADE |
| | RENAULT | TWINGO |

| | | |
|---------------|---------|------|
| 3487-G | CITROËN | SAXO |
| | PEUGEOT | 106 |

| | | |
|---------------|---------|------|
| 3488-G | CITROËN | SAXO |
| | CITROËN | ZX |
| | PEUGEOT | 106 |
| | PEUGEOT | 206 |
| | PEUGEOT | 306 |

| | | |
|---------------|---------|-------------------------|
| 3490-G | PEUGEOT | 405 |
| | SUZUKI | SJ410 - SJ413 - SAMURAI |
| | SUZUKI | VITARA - GRAND VITARA |

| | | |
|---------------|---------|---------|
| 3491-G | PEUGEOT | J7 - J9 |
|---------------|---------|---------|

| | | |
|---------------|--------|-------|
| 3497-G | SUBARU | LEONE |
|---------------|--------|-------|

| | | |
|---------------|---------|---------|
| 3498-G | PEUGEOT | 205 |
| | PEUGEOT | 505 |
| | RENAULT | ALPINE |
| | RENAULT | ESPACE |
| | RENAULT | FUEGO |
| | RENAULT | FUEGO |
| | RENAULT | R18 |
| | RENAULT | R18 |
| | RENAULT | R20 |
| | RENAULT | R20 |
| | RENAULT | R30 |
| | RENAULT | R30 |
| | RENAULT | R5 - R6 |

| | | |
|---------------|------------|------------------------------|
| 3499-G | VOLKSWAGEN | CADDY |
| | VOLKSWAGEN | GOLF (I SERIES) 04-74→12-85 |
| | VOLKSWAGEN | JETTA (I SERIES) 08-78→02-84 |
| | VOLKSWAGEN | PASSAT (32 - 33) 05-73→07-80 |

MANUFACTURAS WRAKYNSON

www.wrakynson.com

Page 494 of 822



REPAIR KITS & THEIR APPLICATIONS



| | | |
|---------------|---|---|
| 3499-G | VOLKSWAGEN VOLKSWAGEN VOLKSWAGEN | PASSAT (32B) 11-79→06-89 SANTANA SCIROCOCO |
| 3503-G | OPEL OPEL OPEL | ASCONA - MANTA KADETT REKORD |
| 3504-G | OPEL | KADETT |
| 3505-G | NISSAN - DATSUN NISSAN - DATSUN NISSAN - DATSUN OPEL SUBARU SUZUKI | CHERRY PRAIRIE SUNNY - PULSAR - 100NX (B13 SERIES) RASCAL J SERIES CARRY |
| 3506-G | ISUZU ISUZU ISUZU OPEL | CHEVROLET LUV PICK - UP FASTER (PICK-UP - KB - KBG - KBD) TROOPER FRONTERA |
| 3507-G | ISUZU ISUZU MERCEDES OPEL OPEL | FASTER (PICK-UP - KB - KBG - KBD) TROOPER UNIMOG 01-66→ FRONTERA MONTEREY |
| 3508-G | OPEL | FRONTERA |
| 3509-G | OPEL OPEL | FRONTERA MONTEREY |
| 3510-G | OPEL OPEL | FRONTERA MONTEREY |
| 3512-G | OPEL OPEL | OMEGA SENATOR - MONZA |
| 3513-G | MERCEDES MERCEDES OPEL OPEL VOLVO VOLVO | E-CLASS (W210-S210-T210) 6-95→3-03 S-CLASS (W140) 2-91→10-98 OMEGA SENATOR - MONZA 740 - 760 - 780 940 - 960 |
| 3514-G | OPEL OPEL OPEL | ASCONA - MANTA ASTRA (F SERIES) CORSA (A SERIES) |
| 3515-G | OPEL OPEL | CORSA (A SERIES) KADETT |
| 3516-G | DAEWOO DAEWOO DAEWOO OPEL OPEL OPEL OPEL OPEL OPEL | ESPERO LANOS NEXIA ASCONA - MANTA ASTRA (F SERIES) CORSA (B SERIES) TIGRA VECTRA |
| 3517-G | OPEL | OMEGA |
| 3518-G | MERCEDES MERCEDES PEUGEOT PEUGEOT PEUGEOT | V-CLASS (BM638-2) 2-96→7-03 VITO (BM638) 02-96→7-03 406 605 607 |

| | | |
|---------------|--|--|
| 3519-G | AUDI AUDI AUDI SEAT SEAT SEAT VOLKSWAGEN VOLKSWAGEN VOLKSWAGEN VOLKSWAGEN | 100 (C2 SERIES) 76→82 100 (C3 SERIES) 82→90 COUPE CORDOBA IBIZA TOLEDO CADDY GOLF (I SERIES) 04-74→12-85 JETTA (I SERIES) 08-78→02-84 PASSAT (32B) 11-79→06-89 SANTANA |
| 3520-G | RENAULT RENAULT | LAGUNA SAFRANE |
| 3521-G | CHEVROLET CHEVROLET DAEWOO DAEWOO DAEWOO DAEWOO DAEWOO DAEWOO DAEWOO DAEWOO HYUNDAI HYUNDAI HYUNDAI SUBARU VOLVO | NUBIRA TACUMA ARANOS EVANDA LANOS LEGANZA NEXIA NUBIRA TACUMA H1 H100 (VAN) SONATA LEGACY (I SERIES) 01-89→08-94 S40 - V40 - V50 |
| 3522-G | CHEVROLET DAEWOO | NUBIRA NUBIRA |
| 3523-G | DAEWOO DAEWOO DAEWOO | LANOS MATIZ NEXIA |
| 3524-G | DAEWOO DAEWOO DAEWOO | ARANOS LANOS NEXIA |
| 3525-G | CHEVROLET DAEWOO DAEWOO DAEWOO DAEWOO OPEL OPEL OPEL | NUBIRA ARANOS LANOS NEXIA NUBIRA CALIBRA KADETT VECTRA |
| 3527-G | HYUNDAI | ACCENT |
| 3528-G | HYUNDAI NISSAN - DATSUN NISSAN - DATSUN NISSAN - DATSUN | ACCENT BLUEBIRD STANZA VANETTE |
| 3529-G | HYUNDAI HYUNDAI HYUNDAI HYUNDAI HYUNDAI HYUNDAI HYUNDAI MITSUBISHI | ACCENT COUPE ELANTRA H1 H100 (VAN) PONY - EXCEL SCOUPE SONATA CARISMA |

MANUFACTURAS WRKYNSON

www.wrakynson.com

Page 495 of 822



REPAIR KITS & THEIR APPLICATIONS



| | | |
|---------------|-----------------|---|
| 3529-G | MITSUBISHI | COLT |
| | MITSUBISHI | ETERNA |
| | MITSUBISHI | GALANT (IV SERIES) 11-87→03-93 |
| | MITSUBISHI | GALANT (V SERIES) 11-92→10-96 |
| | MITSUBISHI | LANCER (IV SERIES C6-C7) 04-88→05-94 |
| | MITSUBISHI | LANCER (V SERIES CB-CD) 06-92→09-00 |
| | MITSUBISHI | SPACE WAGON |
| | VOLVO | S40 - V40 - V50 |
| 3530-G | HYUNDAI | ACCENT |
| | HYUNDAI | ELANTRA |
| | HYUNDAI | LANTRA |
| 3531-G | HYUNDAI | ELANTRA |
| | HYUNDAI | LANTRA |
| | HYUNDAI | PONY - EXCEL |
| | HYUNDAI | SCOUPE |
| | NISSAN - DATSUN | 200SX |
| | NISSAN - DATSUN | BLUEBIRD |
| | NISSAN - DATSUN | JUNIOR |
| | NISSAN - DATSUN | PATROL |
| | NISSAN - DATSUN | PICK-UP |
| | NISSAN - DATSUN | SKYLINE |
| | NISSAN - DATSUN | SUNNY - PULSAR - 100NX (B13 SERIES) |
| | NISSAN - DATSUN | VANETTE |
| 3533-G | HYUNDAI | SCOUPE |
| 3534-G | HYUNDAI | SCOUPE |
| 3535-G | HYUNDAI | SONATA |
| 3536-G | HYUNDAI | SONATA |
| 3537-G | HYUNDAI | ACCENT |
| | HYUNDAI | ELANTRA |
| | HYUNDAI | GETZ |
| | HYUNDAI | LANTRA |
| | HYUNDAI | PONY - EXCEL |
| | HYUNDAI | SCOUPE |
| 3538-G | HONDA | ACCORD (II SERIES) 09-83→10-85 |
| | HYUNDAI | ACCENT |
| | HYUNDAI | i10 |
| | HYUNDAI | i20 |
| 3539-G | HYUNDAI | COUPE |
| | HYUNDAI | ELANTRA |
| | HYUNDAI | LANTRA |
| | KIA | CERATO |
| | MAZDA | 6 |
| | NISSAN - DATSUN | ALMERA |
| | NISSAN - DATSUN | MAXIMA |
| | NISSAN - DATSUN | PRIMERA |
| | NISSAN - DATSUN | PRIMERA |
| | NISSAN - DATSUN | SUNNY - PULSAR - 100NX (B13 SERIES) |
| | SUZUKI | IGNIS |
| 3540-G | HYUNDAI | SONATA |
| | NISSAN - DATSUN | ALMERA |
| | NISSAN - DATSUN | PRIMERA |
| 3541-G | FORD | COUGAR |
| | FORD | MONDEO |
| 3542-G | HONDA | CIVIC (IV SERIES) |

| | | |
|---------------|-----------------|--|
| 3543-G | HONDA | PRELUDE |
| | SUZUKI | SWIFT |
| 3544-G | HONDA | CIVIC (V SERIES) |
| | HONDA | CONCERTO |
| 3545-G | HONDA | ACCORD (IV SERIES) 11-89→12-93 |
| | HONDA | ACCORD (V SERIES) 03-93→10-98 |
| | HONDA | CIVIC (V SERIES) |
| | HONDA | JAZZ |
| | HONDA | LEGEND |
| | HONDA | PRELUDE |
| 3546-G | HONDA | CIVIC (V SERIES) |
| | HONDA | CONCERTO |
| 3548-G | HONDA | ACCORD (IV SERIES) 11-89→12-93 |
| | HONDA | ACCORD (V SERIES) 03-93→10-98 |
| | HONDA | CIVIC (VI SERIES) |
| | HONDA | CRX |
| 3549-G | HONDA | ACCORD (IV SERIES) 11-89→12-93 |
| | HONDA | ACCORD (V SERIES) 03-93→10-98 |
| | HONDA | ACCORD (VI SERIES) 03-97→12-03 |
| | HONDA | CIVIC (VI SERIES) |
| | HONDA | CIVIC (VII SERIES) |
| | HONDA | CIVIC (VIII SERIES) |
| | HONDA | PRELUDE |
| | HONDA | PRELUDE |
| | ROVER | 600 SERIES |
| | SUZUKI | SX4 |
| 3550-G | HONDA | ACCORD (IV SERIES) 11-89→12-93 |
| | HONDA | ACCORD (V SERIES) 03-93→10-98 |
| | HONDA | CIVIC (VI SERIES) |
| | HONDA | CR-V (I SERIES) |
| | HONDA | FR-V |
| | HONDA | HR-V |
| | HONDA | LEGEND |
| | HONDA | PRELUDE |
| | HONDA | SHUTTLE |
| | ROVER | 600 SERIES |
| 3553-G | NISSAN - DATSUN | PRIMERA |
| | PEUGEOT | 406 |
| 3555-G | FORD | KA |
| 3556-G | PEUGEOT | 406 |
| | PEUGEOT | 607 |
| 3557-G | HONDA | ACCORD (IV SERIES) 11-89→12-93 |
| | HONDA | ACCORD (V SERIES) 03-93→10-98 |
| | HONDA | CIVIC (VI SERIES) |
| | HONDA | PRELUDE |
| 3558-G | MITSUBISHI | COLT |
| | MITSUBISHI | ETERNA |
| | MITSUBISHI | GALANT (III SERIES) 10-83→04-90 |
| | MITSUBISHI | GALANT (IV SERIES) 11-87→03-93 |
| | MITSUBISHI | L200 |
| | MITSUBISHI | LANCER (III SERIES C1-C3) 11-83→06-92 |
| | MITSUBISHI | LANCER (IV SERIES C6-C7) 04-88→05-94 |
| | MITSUBISHI | MONTERO |
| | MITSUBISHI | PAJERO |
| | MITSUBISHI | SAPPORO |
| | MITSUBISHI | SPACE WAGON |

MANUFACTURAS WRKYNSON

www.wrakynson.com

Page 496 of 822



REPAIR KITS & THEIR APPLICATIONS



| | | |
|---------------|-----------------|---|
| 3558-G | MITSUBISHI | TREDIA - CORDIA |
| | NISSAN - DATSUN | BLUEBIRD |
| | NISSAN - DATSUN | MAXIMA |
| | NISSAN - DATSUN | PRAIRIE |
| | NISSAN - DATSUN | URVAN |
| 3559-G | SUBARU | LEGACY (I SERIES) 01-89→08-94 |
| | CITROËN | C CROSSER |
| | HYUNDAI | GALLOPER |
| | MITSUBISHI | GALANT (V SERIES) 11-92→10-96 |
| | MITSUBISHI | GALANT (VI SERIES) 09-96→10-04 |
| | MITSUBISHI | GALLOPER |
| | MITSUBISHI | L200 |
| | MITSUBISHI | L400 |
| | MITSUBISHI | LANCER (VI SERIES CS-CT) 12-00→03-11 |
| | MITSUBISHI | LANCER (VII SERIES CX-CY-CZ) 03-07→ |
| | MITSUBISHI | MONTERO |
| | MITSUBISHI | OUTLANDER |
| | MITSUBISHI | PAJERO |
| MITSUBISHI | SIGMA | |
| MITSUBISHI | SPACE GEAR | |
| MITSUBISHI | SPACE RUNNER | |
| MITSUBISHI | SPACE WAGON | |
| PEUGEOT | 4007 | |
| 3560-G | AUDI | 100 (C4 SERIES) 90→95 |
| | AUDI | 80 (B4 SERIES) 91→95 |
| | SEAT | INCA |
| | SKODA | OCTAVIA |
| | VOLKSWAGEN | CADDY |
| | VOLKSWAGEN | GOLF (III SERIES) 08-91→07-98 |
| 3561-G | VOLKSWAGEN | PASSAT (3A2 - 35I - 3A5 - 35I) 02-88→12-97 |
| | SUZUKI | SWIFT |
| 3562-G | KIA | PRIDE |
| | MAZDA | 121 |
| 3564-G | MAZDA | DEMIO |
| | SUZUKI | SWIFT |
| 3565-G | SUZUKI | VITARA - GRAND VITARA |
| | HYUNDAI | COUPE |
| 3567-G | HYUNDAI | ELANTRA |
| | HYUNDAI | LANTRA |
| | HYUNDAI | MATRIX |
| | HYUNDAI | SOLARIS |
| | KIA | JOICE |
| | NISSAN - DATSUN | ALMERA |
| | SUZUKI | VITARA - GRAND VITARA |
| | LAND ROVER | DEFENDER |
| 3569-G | LAND ROVER | RANGE ROVER |
| | DAF | V200 FREIGHT - SHERPA |
| 3577-G | DAF | V400 |
| | FORD | TRANSIT (II SERIES) 78→86 |
| | FORD | TRANSIT (III SERIES) 86→00 |
| | IVECO | DAILY (I SERIES) 06-78→12-89 |
| | LAND ROVER | 90 - 110 |
| | LAND ROVER | DEFENDER |
| | LAND ROVER | DISCOVERY |
| | LAND ROVER | RANGE ROVER |

| | | |
|---------------|---------------|---|
| 3570-G | ROVER | 2.300 - 2.400 - 2.600 - 3.500 |
| | LAND ROVER | DEFENDER |
| | LAND ROVER | DISCOVERY |
| 3572-G | LAND ROVER | RANGE ROVER |
| | LAND ROVER | 90 - 110 |
| 3574-G | LAND ROVER | 90 - 110 |
| | LAND ROVER | DEFENDER |
| 3575-G | ROVER | TRIUMPH |
| | HYUNDAI | PORTER |
| | MITSUBISHI | COLT |
| | MITSUBISHI | GALANT (III SERIES) 10-83→04-90 |
| | MITSUBISHI | GALANT (IV SERIES) 11-87→03-93 |
| | MITSUBISHI | GALANT (V SERIES) 11-92→10-96 |
| | MITSUBISHI | L200 |
| | MITSUBISHI | L300 |
| | MITSUBISHI | MONTERO |
| | MITSUBISHI | PAJERO |
| | MITSUBISHI | SAPORO |
| | MITSUBISHI | SPACE WAGON |
| | MITSUBISHI | TREDIA - CORDIA |
| | TOYOTA | 4-RUNNER |
| | TOYOTA | COASTER BUS |
| | TOYOTA | DYNA |
| | TOYOTA | HIACE |
| | TOYOTA | HILUX |
| | TOYOTA | STARLET |
| | TOYOTA | STOUT |
| | 3576-G | MITSUBISHI |
| MITSUBISHI | | COLT |
| MITSUBISHI | | ECLIPSE |
| MITSUBISHI | | ETERNA |
| MITSUBISHI | | GALANT (IV SERIES) 11-87→03-93 |
| MITSUBISHI | | GALANT (IV SERIES) 11-87→03-93 |
| MITSUBISHI | | LANCER (IV SERIES C6-C7) 04-88→05-94 |
| MITSUBISHI | | LANCER (V SERIES CB-CD) 06-92→09-00 |
| MITSUBISHI | | SAPORO |
| MITSUBISHI | | SIGMA |
| 3577-G | FORD | COURIER |
| | MAZDA | B SERIES |
| | MITSUBISHI | GALANT (I SERIES) 01-77→08-80 |
| | MITSUBISHI | GALANT (II SERIES) 09-80→05-84 |
| | MITSUBISHI | L200 |
| | MITSUBISHI | L300 |
| | MITSUBISHI | MONTERO |
| | MITSUBISHI | PAJERO |
| | MITSUBISHI | SAPORO |
| | 3578-G | JEEP |
| JEEP | | WRANGLER |
| 3579-G | JEEP | CHEROKEE |
| | JEEP | WRANGLER |
| 3580-G | CITROËN | CX |
| | CITROËN | XM |
| 3581-G | ALFA ROMEO | 145 - 146 |
| | FIAT | MAREA |
| | FIAT | MULTIPLA |
| | FIAT | PALIO |

MANUFACTURAS WRKYNSON

www.wrakynson.com

Page 497 of 822



REPAIR KITS & THEIR APPLICATIONS



| | | |
|---------------|--|--|
| 3581-G | FIAT FIAT FIAT LANCIA LANCIA SMART SMART | PUNTO (176 SERIES) TEMPRA TIPO DELTA - PRISMA YPSILON CABRIO CITY COUPE |
| 3582-G | FIAT FIAT | CINQUECENTO SEICENTO |
| 3583-G | ALFA ROMEO ALFA ROMEO ALFA ROMEO FIAT FIAT FIAT FIAT FIAT FIAT FIAT LANCIA LANCIA | 145 - 146 155 SPIDER BARCETTA BRAVO - BRAVA COUPE MAREA MULTIPLA TEMPRA TIPO DEDRA DELTA - PRISMA |
| 3584-G | FIAT FIAT | BRAVO - BRAVA MAREA |
| 3586-G | CITROËN CITROËN FIAT FIAT LANCIA PEUGEOT PEUGEOT RENAULT | EVASION JUMPY SCUDO ULYSSE ZETA 806 EXPERT ALPINE |
| 3588-G | NISSAN - DATSUN | MICRA |
| 3589-G | NISSAN - DATSUN NISSAN - DATSUN ROVER ROVER ROVER | MICRA PATROL 100 SERIES METRO MG |
| 3590-G | NISSAN - DATSUN NISSAN - DATSUN | ALMERA MICRA |
| 3591-G | DACIA FORD FORD HYUNDAI MAZDA NISSAN - DATSUN RENAULT | LOGAN FIESTA KA ATOS 121 MICRA CLIO |
| 3592-G | RENAULT | SAFRANE |
| 3593-G | NISSAN - DATSUN | ALMERA |
| 3595-G | NISSAN - DATSUN NISSAN - DATSUN NISSAN - DATSUN | ALMERA PRIMERA SUNNY - PULSAR - 100NX (B13 SERIES) |
| 3597-G | NISSAN - DATSUN NISSAN - DATSUN | ALMERA LAUREL |
| 3599-G | NISSAN - DATSUN NISSAN - DATSUN NISSAN - DATSUN | ALMERA PRESEA SUNNY - PULSAR - 100NX (B13 SERIES) |

| | | |
|---------------|---|--|
| 3600-G | NISSAN - DATSUN | ALMERA |
| 3602-G | NISSAN - DATSUN NISSAN - DATSUN | SERENA TERRANO |
| 3604-G | HYUNDAI HYUNDAI HYUNDAI HYUNDAI HYUNDAI HYUNDAI MITSUBISHI NISSAN - DATSUN SSANYONG | H1 SANTA FÉ SANTAMO TERRACAN TRAJET XG SANTAMO TERRANO REXTON |
| 3605-G | NISSAN - DATSUN NISSAN - DATSUN NISSAN - DATSUN NISSAN - DATSUN NISSAN - DATSUN NISSAN - DATSUN NISSAN - DATSUN NISSAN - DATSUN NISSAN - DATSUN NISSAN - DATSUN NISSAN - DATSUN | 200SX CEDRIC MAXIMA PATROL PICK-UP PRAIRIE SERENA TERRANO URVAN |
| 3607-G | NISSAN - DATSUN NISSAN - DATSUN NISSAN - DATSUN NISSAN - DATSUN NISSAN - DATSUN NISSAN - DATSUN NISSAN - DATSUN | ALMERA CABSTAR - ATLAS PICK-UP PRIMERA SUNNY - PULSAR - 100NX (B13 SERIES) TERRANO VANETTE |
| 3610-G | FORD NISSAN - DATSUN NISSAN - DATSUN NISSAN - DATSUN | MAVERICK SERENA TERRANO VANETTE |
| 3612-G | NISSAN - DATSUN NISSAN - DATSUN NISSAN - DATSUN NISSAN - DATSUN | MAXIMA PICK-UP PRIMERA TERRANO |
| 3613-G | NISSAN - DATSUN | PRIMERA |
| 3614-G | NISSAN - DATSUN NISSAN - DATSUN | MAXIMA PRIMERA |
| 3616-G | NISSAN - DATSUN NISSAN - DATSUN NISSAN - DATSUN | 300ZX CABSTAR - ATLAS PATROL |
| 3617-G | NISSAN - DATSUN | PATROL |
| 3618-G | NISSAN - DATSUN | PATROL |
| 3619-G | NISSAN - DATSUN | PATROL |
| 3620-G | NISSAN - DATSUN | PATROL |
| 3621-G | NISSAN - DATSUN NISSAN - DATSUN NISSAN - DATSUN | 300ZX CABSTAR - ATLAS PATROL |
| 3624-G | NISSAN - DATSUN | ECO |
| 3625-G | NISSAN - DATSUN | ECO |
| 3626-G | NISSAN - DATSUN | ECO |
| 3627-G | NISSAN - DATSUN | ECO |
| 3629-G | NISSAN - DATSUN | ALMERA |
| 3631-G | NISSAN - DATSUN NISSAN - DATSUN | BLUEBIRD PRIMERA |

MANUFACTURAS WRAKYNSON

www.wrakynson.com

Page 498 of 822



REPAIR KITS & THEIR APPLICATIONS



| | | |
|---------------|---|--|
| 3631-G | NISSAN - DATSUN | SUNNY - PULSAR - 100NX (B13 SERIES) |
| 3634-G | DAF DAF DAF MERCEDES MERCEDES | F1100 → F3600 FA1300 - 1500 →90 FA1600 - FAV1800 69→76 T1-TN (BM611) 6-81→ T2-LN1 (BM667-668-669-670) 3-86→ |
| 3635-G | FIAT FIAT | TEMPRA TIPO |
| 3638-G | FORD | ESCORT - ORION |
| 3639-G | CITROËN NISSAN - DATSUN PEUGEOT PEUGEOT RENAULT | XSARA KUBISTAR 206 306 KANGOO |
| 3640-G | FORD FORD | TRANSIT (I SERIES) 65→78 TRANSIT (II SERIES) 78→86 |
| 3641-G | DAF FORD | V200 FREIGHT - SHERPA TRANSIT (I SERIES) 65→78 |
| 3643-G | ALFA ROMEO | 164 |
| 3644-G | ALFA ROMEO ALFA ROMEO ALFA ROMEO ALFA ROMEO FIAT FIAT LANCIA | 145 - 146 155 GTV SPIDER COUPE MAREA DELTA - PRISMA |
| 3645-G | AUDI AUDI AUDI AUDI AUDI AUDI AUDI RENAULT | 100 (C3 SERIES) 82→90 200 80 - 90 (B3 SERIES) 86→91 80 (B4 SERIES) 91→95 CABRIOLET COUPE QUATTRO ESPACE |
| 3647-G | PEUGEOT PEUGEOT PEUGEOT PORSCHE PORSCHE PORSCHE TALBOT | 504 505 604 924 928 944 TAGORA |
| 3648-G | BMW BMW | 3 SERIES (E30) 83→ 7 SERIES (E32) 87→ |
| 3649-G | BMW BMW BMW CITROËN CITROËN DACIA DACIA DACIA HONDA LANCIA MINI NISSAN - DATSUN NISSAN - DATSUN | 1 SERIES (E81 - E87) 09-04→ 1 SERIES CABRIO (E88) 03-07→ 1 SERIES COUPE (E82) 09-07→ BERLINGO XSARA DUSTER LODGY LOGAN CIVIC (VIII SERIES) KAPPA MINI (R50 - R53) MICRA NOTE |

| | | |
|---------------|--|--|
| | OPEL PEUGEOT PEUGEOT RENAULT RENAULT RENAULT SUZUKI SUZUKI | AGILA 306 PARTNER CLIO KANGOO MODUS SPLASH SWIFT |
| 3651-G | CITROËN FIAT PEUGEOT | C25 DUCATO J5 |
| 3652-G | CITROËN FIAT PEUGEOT | JUMPER DUCATO BOXER |
| 3653-G | CITROËN FIAT PEUGEOT RENAULT RENAULT | JUMPER DUCATO BOXER MASTER TRAFIC |
| 3654-G | CITROËN FIAT | JUMPER DUCATO |
| 3655-G | CITROËN FIAT PEUGEOT | JUMPER DUCATO BOXER |
| 3656-G | CITROËN CITROËN FIAT FIAT PEUGEOT PEUGEOT | JUMPER JUMPY DUCATO SCUDO BOXER EXPERT |
| 3657-G | CITROËN FIAT PEUGEOT | JUMPER DUCATO BOXER |
| 3658-G | FIAT FIAT FIAT | DUNA FIORINO UNO |
| 3660-G | DACIA FIAT SEAT SEAT SEAT SEAT SKODA VOLKSWAGEN VOLKSWAGEN VOLKSWAGEN VOLKSWAGEN VOLKSWAGEN VOLKSWAGEN | LOGAN MAREA ALTEA LEON TOLEDO ROOMSTER BORA CADDY FOX NEW BEETLE POLO (IV SERIES) 10-01→11-09 VENTO |
| 3661-G | FIAT | FIORINO |
| 3662-G | FIAT FIAT | DUNA FIORINO |
| 3664-G | CITROËN FIAT PEUGEOT | JUMPER DUCATO BOXER |
| 3665-G | LAND ROVER | 90 - 110 |
| 3666-G | AUDI AUDI | 100 (C4 SERIES) 90→95 80 (B4 SERIES) 91→95 |



REPAIR KITS & THEIR APPLICATIONS



| | | |
|---------------|---|---|
| 3666-G | AUDI AUDI AUDI | A6 (C4 SERIES) 94→97 CABRIOLET COUPE |
| 3667-G | VOLKSWAGEN | LT SERIES |
| 3668-G | MERCEDES MERCEDES MERCEDES MERCEDES MERCEDES VOLKSWAGEN | 124 - 200 - 500 (W124 SERIES) 85→06-93 E-CLASS (W124-S124) 6-93→6-96 S-CLASS (C140) 9-92→2-99 S-CLASS (W140) 2-91→10-98 SL (R129) 3-89→10-01 LT SERIES |
| 3670-G | PEUGEOT PEUGEOT PEUGEOT | 504 505 604 |
| 3671-G | PEUGEOT | J7 - J9 |
| 3673-G | LAND ROVER LAND ROVER RENAULT RENAULT | DISCOVERY RANGE ROVER EXPRESS SUPER 5 |
| 3675-G | RENAULT | R21 - NEVADA |
| 3676-G | RENAULT | TRAFIC |
| 3677-G | HYUNDAI MITSUBISHI RENAULT TALBOT TALBOT TALBOT TALBOT | PONY - EXCEL CENTURA R16 HORIZON MATRA RANCHO SIMCA 1200 - 1100 |
| 3679-G | HONDA HONDA HONDA ROVER | ACCORD (III SERIES) 11-85→12-89 ACCORD (IV SERIES) 11-89→12-93 PRELUDE 600 SERIES |
| 3682-G | HONDA HONDA HONDA HONDA | ACCORD (III SERIES) 11-85→12-89 CIVIC (IV SERIES) LEGEND PRELUDE |
| 3683-G | HONDA NISSAN - DATSUN NISSAN - DATSUN NISSAN - DATSUN NISSAN - DATSUN ROVER ROVER | LEGEND 200SX ALMERA BLUEBIRD MAXIMA PRIMERA 800 SERIES MG |
| 3684-G | ROVER | 800 SERIES |
| 3685-G | LAND ROVER | 90 - 110 |
| 3686-G | FORD ROVER | CAPRI TRIUMPH |
| 3687-G | FORD FORD FORD ROVER | CAPRI CORTINA ESCORT - ORION TRIUMPH |
| 3688-G | SKODA | FAVORIT |
| 3689-G | SKODA | FELICIA |
| 3690-G | SKODA VOLKSWAGEN VOLKSWAGEN | FABIA CADDY GOLF (III SERIES) 08-91→07-98 |

| | | |
|---------------|--|--|
| | VOLKSWAGEN VOLKSWAGEN VOLKSWAGEN | PASSAT (3A2 - 35I - 3A5 - 35I) 02-88→12-97 POLO CLASSIC VENTO |
| 3691-G | VOLKSWAGEN VOLKSWAGEN VOLKSWAGEN | CORRADO GOLF (II SERIES) 08-83→12-92 PASSAT (3A2 - 35I - 3A5 - 35I) 02-88→12-97 |
| 3692-G | SEAT SEAT VOLKSWAGEN VOLKSWAGEN VOLKSWAGEN | CORDOBA IBIZA CADDY GOLF (III SERIES) 08-91→07-98 PASSAT (3A2 - 35I - 3A5 - 35I) 02-88→12-97 VENTO |
| 3693-G | VOLKSWAGEN | TRANSPORTER (II SERIES) 08-67→09-79 |
| 3694-G | VOLKSWAGEN | TRANSPORTER (II SERIES) 08-67→09-79 |
| 3695-G | VOLKSWAGEN | TRANSPORTER (III SERIES) 05-79→12-92 |
| 3696-G | OPEL | KADETT |
| 3697-G | VOLKSWAGEN | TRANSPORTER (I SERIES) 01-50→10-70 |
| 3698-G | VOLKSWAGEN | TRANSPORTER (I SERIES) 01-50→10-70 |
| 3699-G | VOLKSWAGEN VOLKSWAGEN | TRANSPORTER (II SERIES) 08-67→09-79 TRANSPORTER (III SERIES) 05-79→12-92 |
| 3700-G | VOLKSWAGEN VOLKSWAGEN | TRANSPORTER (II SERIES) 08-67→09-79 TRANSPORTER (III SERIES) 05-79→12-92 |
| 3701-G | VOLKSWAGEN VOLKSWAGEN VOLKSWAGEN VOLKSWAGEN VOLKSWAGEN VOLKSWAGEN | GOLF (I SERIES) 04-74→12-85 GOLF (I SERIES) 04-74→12-85 JETTA (I SERIES) 08-78→02-84 JETTA (I SERIES) 08-78→02-84 PASSAT (32 - 33) 05-73→07-80 SCIROCCO |
| 3702-G | VOLKSWAGEN VOLKSWAGEN | TRANSPORTER (II SERIES) 08-67→09-79 TRANSPORTER (III SERIES) 05-79→12-92 |
| 3704-G | OPEL OPEL | CORSA (A SERIES) KADETT |
| 3705-G | OPEL OPEL OPEL OPEL OPEL | ASCONA - MANTA COMBO CORSA (B SERIES) KADETT REKORD |
| 3707-G | FORD | SIERRA |
| 3708-G | SUZUKI | CARRY |
| 3709-G | SUZUKI SUZUKI SUZUKI | CARRY SJ410 - SJ413 - SAMURAI SWIFT |
| 3710-G | SUZUKI | SJ410 - SJ413 - SAMURAI |
| 3711-G | SUZUKI SUZUKI TOYOTA | SWIFT VITARA - GRAND VITARA ECHO |
| 3713-G | SUBARU | LEONE |
| 3714-G | DAIHATSU FORD | TAFT COURIER |

MANUFACTURAS WRACKYNSON

www.wrakynson.com

Page 500 of 822



REPAIR KITS & THEIR APPLICATIONS



| | | |
|---------------|-----------------|---|
| 3738-G | TOYOTA | STOUT |
| 3739-G | FORD | COURIER |
| | MAZDA | 626 |
| | MAZDA | 929 |
| | MAZDA | B SERIES |
| | MAZDA | E2 - E3 - T (TRUCKS) |
| 3740-G | SAAB | 900 |
| 3741-G | TOYOTA | CARINA |
| | TOYOTA | CELICA |
| | TOYOTA | COROLLA (E7 SERIES) 09-79→08-87 |
| | TOYOTA | COROLLA (KE - TE SERIES) 02-70→11-81 |
| | TOYOTA | CORONA |
| 3742-G | TOYOTA | CORONA |
| | TOYOTA | CROWN |
| | TOYOTA | LAND CRUISER |
| | TOYOTA | LITEACE |
| 3743-G | TOYOTA | 4-RUNNER |
| | TOYOTA | CARINA |
| | TOYOTA | CELICA |
| | TOYOTA | HILUX |
| 3744-G | TOYOTA | DYNA |
| | TOYOTA | HIACE |
| | TOYOTA | HILUX |
| 3745-G | TOYOTA | CELICA |
| | TOYOTA | CRESSIDA |
| | TOYOTA | CROWN |
| | TOYOTA | HILUX |
| 3746-G | TOYOTA | DYNA |
| 3747-G | TOYOTA | COASTER BUS |
| | TOYOTA | DYNA |
| | TOYOTA | F-MODEL |
| | TOYOTA | HIACE |
| 3748-G | TOYOTA | CAMRY |
| | TOYOTA | CARINA |
| | TOYOTA | COROLLA (E10 SERIES) 06-91→11-99 |
| | TOYOTA | CORONA |
| 3749-G | TOYOTA | CAMRY |
| | TOYOTA | CARINA |
| | TOYOTA | CORONA |
| | TOYOTA | CRESSIDA |
| 3750-G | TOYOTA | COASTER BUS |
| | TOYOTA | DYNA |
| | TOYOTA | HIACE |
| 3751-G | TOYOTA | CROWN |
| | TOYOTA | HILUX |
| 3752-G | TOYOTA | CRESSIDA |
| 3753-G | TOYOTA | COROLLA (E10 SERIES) 06-91→11-99 |
| 3754-G | TOYOTA | 4-RUNNER |
| | TOYOTA | HILUX |
| 3755-G | TOYOTA | LAND CRUISER |
| 3756-G | NISSAN - DATSUN | PICK-UP |
| | NISSAN - DATSUN | URVAN |
| 3758-G | NISSAN - DATSUN | 140 2TON TRUCK |
| | NISSAN - DATSUN | BLUEBIRD |

| | | |
|---------------|-----------------|--------------------------------------|
| | NISSAN - DATSUN | DATSUN 100 - 2.200D SERIES |
| | NISSAN - DATSUN | LAUREL |
| | NISSAN - DATSUN | PATROL |
| | NISSAN - DATSUN | PICK-UP |
| | NISSAN - DATSUN | SKYLINE |
| | NISSAN - DATSUN | URVAN |
| 3759-G | TOYOTA | 4-RUNNER |
| | TOYOTA | CAMRY |
| | TOYOTA | CARINA |
| | TOYOTA | CELICA |
| | TOYOTA | COASTER BUS |
| | TOYOTA | COROLLA (E10 SERIES) 06-91→11-99 |
| | TOYOTA | COROLLA (E9 - SERIES) 05-87→10-95 |
| | TOYOTA | CORONA |
| | TOYOTA | CRESSIDA |
| | TOYOTA | DYNA |
| | TOYOTA | HIACE |
| | TOYOTA | HILUX |
| | TOYOTA | LAND CRUISER |
| | TOYOTA | PASEO |
| | TOYOTA | YARIS |
| 3760-G | TOYOTA | CAMRY |
| | TOYOTA | CARINA |
| | TOYOTA | CELICA |
| | TOYOTA | COROLLA (E8 SERIES) 05-83→06-89 |
| | TOYOTA | CORONA |
| 3761-G | NISSAN - DATSUN | CABSTAR - ATLAS |
| 3762-G | NISSAN - DATSUN | CABSTAR - ATLAS |
| 3763-G | TOYOTA | COROLLA (E9 - SERIES) 05-87→10-95 |
| | TOYOTA | CORONA |
| 3764-G | TOYOTA | CORONA |
| | TOYOTA | CRESSIDA |
| | TOYOTA | CROWN |
| 3765-G | TOYOTA | HILUX |
| 3766-G | TOYOTA | CROWN |
| | TOYOTA | DYNA |
| | TOYOTA | F-MODEL |
| | TOYOTA | HIACE |
| | TOYOTA | LITEACE |
| 3767-G | HONDA | ACCORD (I SERIES) 05-76→09-83 |
| | HONDA | CIVIC (I SERIES) |
| | HONDA | CIVIC (II SERIES) |
| 3768-G | HONDA | ACCORD (I SERIES) 05-76→09-83 |
| | HONDA | ACCORD (II SERIES) 09-83→10-85 |
| | HONDA | CIVIC (III SERIES) |
| 3769-G | HONDA | PRELUDE |
| 3770-G | KIA | PRIDE |
| | MAZDA | 121 |
| 3771-G | MAZDA | 323 (BF - BW SERIES) 08-85→10-98 |
| | MAZDA | 626 |
| | MAZDA | 929 |
| | MAZDA | B SERIES |
| 3772-G | HONDA | CIVIC (V SERIES) |
| | HONDA | LEGEND |



REPAIR KITS & THEIR APPLICATIONS



| | | |
|---------------|---|---|
| 3812-G | TOYOTA TOYOTA TOYOTA TOYOTA TOYOTA | COROLLA (E9 - SERIES) 05-87→10-95 CORONA PASEO STARLET TERCEL |
| 3813-G | DAIHATSU TOYOTA | TAFT CROWN |
| 3814-G | TOYOTA TOYOTA | HIACE LAND CRUISER |
| 3815-G | TOYOTA | LAND CRUISER |
| 3816-G | VOLVO VOLVO VOLVO | 140 - 164 240 - 260 AMAZON |
| 3817-G | VOLVO | 240 - 260 |
| 3818-G | TOYOTA | HIACE |
| 3819-G | VOLVO VOLVO | 740 - 760 - 780 940 - 960 |
| 3820-G | HONDA | CRX |
| 3821-G | HONDA | PRELUDE |
| 3822-G | MAZDA | 323 (BF - BW SERIES) 08-85→10-98 |
| 3823-G | MAZDA MAZDA MAZDA | 323 (BA SERIE) 05-94→01-01 323 (BG SERIES) 04-87→09-00 MX3 |
| 3824-G | DAIHATSU DAIHATSU FORD MAZDA MAZDA | FEROZA ROCKY PROBE 626 B SERIES |
| 3825-G | DAIHATSU FORD MAZDA MAZDA MAZDA MAZDA MAZDA SUZUKI | APPLAUSE PROBE 323 (BA SERIE) 05-94→01-01 323 (BG SERIES) 04-87→09-00 626 MX6 XEDOS BALENO |
| 3826-G | HONDA | PRELUDE |
| 3827-G | TOYOTA TOYOTA TOYOTA | 4-RUNNER HILUX LAND CRUISER |
| 3828-G | TOYOTA TOYOTA | COROLLA (E7 SERIES) 09-79→08-87 COROLLA (E8 SERIES) 05-83→06-89 |
| 3829-G | SAAB SAAB SAAB | 90 900 99 |
| 3831-G | OPEL OPEL SAAB VOLVO | OMEGA SENATOR - MONZA 9.5 850 |
| 3832-G | VOLVO VOLVO | 740 - 760 - 780 940 - 960 |
| 3834-G | mitsubishi TOYOTA TOYOTA | SAPPORO CARINA CELICA |
| 3836-G | HONDA | CIVIC (I SERIES) |

| | | |
|---------------|---|--|
| | NISSAN - DATSUN NISSAN - DATSUN | CHERRY SUNNY - PULSAR - 100NX (B13 SERIES) |
| 3838-G | LEXUS TOYOTA TOYOTA TOYOTA TOYOTA TOYOTA VOLKSWAGEN | LS 4-RUNNER HILUX HILUX LAND CRUISER SUPRA TARO |
| 3839-G | HONDA HONDA LAND ROVER MERCEDES NISSAN - DATSUN NISSAN - DATSUN NISSAN - DATSUN NISSAN - DATSUN VOLVO VOLVO VOLVO | ACCORD (VI SERIES) 03-97→12-03 CIVIC (VII SERIES) FREELANDER A-CLASS (W168) 07-97→08-04 ALMERA BLUEBIRD LAUREL MAXIMA PRIMERA 740 - 760 - 780 940 - 960 S90 - V90 |
| 3840-G | DAIHATSU HONDA HONDA HONDA TOYOTA TOYOTA TOYOTA TOYOTA | CHARMANT ACCORD (I SERIES) 05-76→09-83 CIVIC (IV SERIES) PRELUDE CARINA CELICA COROLLA (KE - TE SERIES) 02-70→11-81 CORONA |
| 3841-G | TOYOTA TOYOTA | COASTER BUS DYNA |
| 3842-G | FORD MAZDA MAZDA MAZDA MAZDA MAZDA MAZDA | PROBE 323 (BJ SERIES) 05-98→05-04 6 626 MX6 PREMACY XEDOS |
| 3843-G | TOYOTA TOYOTA TOYOTA | CARINA CELICA CORONA |
| 3844-G | TOYOTA TOYOTA TOYOTA | CARINA CELICA COROLLA (E8 SERIES) 05-83→06-89 |
| 3845-G | TOYOTA TOYOTA TOYOTA TOYOTA TOYOTA TOYOTA TOYOTA TOYOTA TOYOTA | CAMRY CARINA COROLLA (E10 SERIES) 06-91→11-99 COROLLA (E8 SERIES) 05-83→06-89 COROLLA (E9 - SERIES) 05-87→10-95 CORONA MR2 STARLET |
| 3846-G | NISSAN - DATSUN | BLUEBIRD |

MANUFACTURAS WRAKYNSON

www.wrakynson.com

Page 504 of 822



REPAIR KITS & THEIR APPLICATIONS



| | | |
|---------------|---|--|
| 3846-G | NISSAN - DATSUN TOYOTA TOYOTA TOYOTA | DATSUN 100 - 2.200D SERIES CORONA CRESSIDA CROWN |
| 3847-G | NISSAN - DATSUN NISSAN - DATSUN NISSAN - DATSUN SAAB TOYOTA | A10 BLUEBIRD LAUREL 95 - 96 1000 SEDAN |
| 3848-G | SAAB | 99 |
| 3849-G | TOYOTA TOYOTA TOYOTA TOYOTA | DYNA HIACE HILUX LAND CRUISER |
| 3851-G | TOYOTA TOYOTA TOYOTA | COASTER BUS DYNA LAND CRUISER |
| 3852-G | TOYOTA | STOUT |
| 3853-G | TOYOTA TOYOTA | COASTER BUS DYNA |
| 3856-G | TOYOTA TOYOTA | COROLLA (KE - TE SERIES) 02-70→11-81 CORONA |
| 3857-G | TOYOTA TOYOTA TOYOTA | CELICA COROLLA (E10 SERIES) 06-91→11-99 COROLLA (E9 - SERIES) 05-87→10-95 |
| 3858-G | TOYOTA TOYOTA | CELICA CROWN |
| 3859-G | TOYOTA TOYOTA TOYOTA TOYOTA TOYOTA | COROLLA (E7 SERIES) 09-79→08-87 COROLLA (E8 SERIES) 05-83→06-89 PASEO STARLET TERCEL |
| 3860-G | TOYOTA TOYOTA TOYOTA | CARINA CELICA COROLLA (KE - TE SERIES) 02-70→11-81 |
| 3864-G | TOYOTA TOYOTA | COROLLA (KE - TE SERIES) 02-70→11-81 TERCEL |
| 3865-G | TOYOTA TOYOTA | COASTER BUS DYNA |
| 3866-G | TOYOTA TOYOTA | COASTER BUS DYNA |
| 3867-G | NISSAN - DATSUN NISSAN - DATSUN | BLUEBIRD SUNNY - PULSAR - 100NX (B13 SERIES) |
| 3868-G | TOYOTA TOYOTA TOYOTA TOYOTA TOYOTA | CORONA DYNA HIACE HILUX STOUT |
| 3869-G | TOYOTA | CRESSIDA |
| 3870-G | TOYOTA TOYOTA | CELICA CRESSIDA |
| 3871-G | TOYOTA | DYNA |

| | | |
|---------------|--|---|
| 3872-G | TOYOTA | DYNA |
| 3873-G | TOYOTA TOYOTA TOYOTA | DYNA HIACE HILUX |
| 3874-G | TOYOTA TOYOTA | HIACE HILUX |
| 3875-G | ISUZU TOYOTA TOYOTA | CHEVROLET LUV PICK - UP HIACE HILUX |
| 3876-G | HYUNDAI TOYOTA TOYOTA | H100 (VAN) HIACE HILUX |
| 3877-G | TOYOTA | HILUX |
| 3878-G | TOYOTA TOYOTA | HIACE HILUX |
| 3879-G | TOYOTA TOYOTA TOYOTA | HEAVY DUTY TRUCK LAND CRUISER STOUT |
| 3880-G | TOYOTA | LAND CRUISER |
| 3881-G | TOYOTA | LAND CRUISER |
| 3883-G | TOYOTA | LAND CRUISER |
| 3884-G | TOYOTA | LITEACE |
| 3885-G | TOYOTA TOYOTA TOYOTA TOYOTA TOYOTA | CAMRY CARINA COROLLA (E8 SERIES) 05-83→06-89 CORONA LITEACE |
| 3886-G | TOYOTA | STOUT |
| 3887-G | TOYOTA | TERCEL |
| 3888-G | TOYOTA | MR2 |
| 3889-G | TOYOTA | TERCEL |
| 3890-G | MITSUBISHI MITSUBISHI | CANTER ROSA |
| 3891-G | MITSUBISHI MITSUBISHI | CANTER ROSA |
| 3892-G | HYUNDAI | PORTER |
| 3893-G | HYUNDAI | PORTER |
| 3895-G | DAEWOO | RACER - TICO |
| 3897-G | NISSAN - DATSUN | SUNNY - PULSAR - 100NX (B13 SERIES) |
| 3898-G | NISSAN - DATSUN | MICRA |
| 3900-G | FORD MAZDA MITSUBISHI NISSAN - DATSUN NISSAN - DATSUN NISSAN - DATSUN NISSAN - DATSUN NISSAN - DATSUN NISSAN - DATSUN NISSAN - DATSUN SUBARU SUBARU SUBARU SUBARU | RANGER BT-50 L200 CEDRIC KING CAB MAXIMA PICK-UP PICK-UP TERRANO URVAN VANETTE FORESTER IMPREZA LEGACY (IV SERIES) 09-03→08-09 LEGACY (V SERIES) 09-09→ |

MANUFACTURAS WRAKYNSON

www.wrakynson.com

Page 505 of 822



REPAIR KITS & THEIR APPLICATIONS



| | | |
|---------------|--|--|
| 3900-G | SUBARU SUBARU | OUTBACK XV |
| 3901-G | NISSAN - DATSUN | LAUREL |
| 3906-G | NISSAN - DATSUN | SUNNY - PULSAR - 100NX (B13 SERIES) |
| 3907-G | NISSAN - DATSUN | SUNNY - PULSAR - 100NX (B13 SERIES) |
| 3908-G | NISSAN - DATSUN NISSAN - DATSUN NISSAN - DATSUN NISSAN - DATSUN | LAUREL PRAIRIE SKYLINE STANZA |
| 3910-G | NISSAN - DATSUN | SUNNY - PULSAR - 100NX (B13 SERIES) |
| 3911-G | NISSAN - DATSUN NISSAN - DATSUN NISSAN - DATSUN | CABSTAR - ATLAS PICK-UP URVAN |
| 3912-G | MITSUBISHI MITSUBISHI NISSAN - DATSUN NISSAN - DATSUN SUBARU SUZUKI | GALANT (I SERIES) 01-77→08-80 LANCER (I SERIES A17) 09-79→02-83 BLUEBIRD C120 MINI JUMBO ALTO |
| 3913-G | NISSAN - DATSUN NISSAN - DATSUN | CABSTAR - ATLAS PATROL |
| 3914-G | NISSAN - DATSUN NISSAN - DATSUN NISSAN - DATSUN NISSAN - DATSUN | CEDRIC E 20 PICK-UP URVAN |
| 3915-G | NISSAN - DATSUN NISSAN - DATSUN | PICK-UP URVAN |
| 3916-G | NISSAN - DATSUN NISSAN - DATSUN | PICK-UP URVAN |
| 3917-G | NISSAN - DATSUN NISSAN - DATSUN | E 20 PICK-UP |
| 3918-G | NISSAN - DATSUN | SUNNY - PULSAR - 100NX (B13 SERIES) |
| 3919-G | NISSAN - DATSUN NISSAN - DATSUN | CHERRY SUNNY - PULSAR - 100NX (B13 SERIES) |
| 3920-G | NISSAN - DATSUN NISSAN - DATSUN | CABSTAR - ATLAS CIVILIAN - CAVALLIER - CLIPPER |
| 3922-G | FORD NISSAN - DATSUN NISSAN - DATSUN NISSAN - DATSUN | GRANADA - CONSUL BLUEBIRD PRAIRIE STANZA |
| 3923-G | NISSAN - DATSUN NISSAN - DATSUN | BLUEBIRD STANZA |
| 3924-G | NISSAN - DATSUN NISSAN - DATSUN NISSAN - DATSUN | 140 2TON TRUCK CK80 5.600 DIESEL TRUCK DATSUN 100 - 2.200D SERIES |
| 3926-G | NISSAN - DATSUN | PICK-UP |
| 3927-G | NISSAN - DATSUN | SUNNY - PULSAR - 100NX (B13 SERIES) |
| 3928-G | NISSAN - DATSUN NISSAN - DATSUN | A10 SUNNY - PULSAR - 100NX (B13 SERIES) |
| 3929-G | NISSAN - DATSUN NISSAN - DATSUN | CHERRY MICRA |

| | | |
|---------------|---|--|
| | NISSAN - DATSUN SUBARU SUBARU | SUNNY - PULSAR - 100NX (B13 SERIES) E SERIES MINI JUMBO |
| 3930-G | NISSAN - DATSUN | CHERRY |
| 3931-G | NISSAN - DATSUN | MICRA |
| 3932-G | NISSAN - DATSUN | PICK-UP |
| 3933-G | NISSAN - DATSUN NISSAN - DATSUN NISSAN - DATSUN NISSAN - DATSUN NISSAN - DATSUN | 140 2TON TRUCK C120 E 20 PICK-UP URVAN |
| 3934-G | NISSAN - DATSUN NISSAN - DATSUN | PRAIRIE SUNNY - PULSAR - 100NX (B13 SERIES) |
| 3936-G | NISSAN - DATSUN NISSAN - DATSUN | A10 SUNNY - PULSAR - 100NX (B13 SERIES) |
| 3937-G | NISSAN - DATSUN NISSAN - DATSUN | A10 SUNNY - PULSAR - 100NX (B13 SERIES) |
| 3938-G | NISSAN - DATSUN NISSAN - DATSUN NISSAN - DATSUN | CHERRY F 10 PICK-UP |
| 3939-G | NISSAN - DATSUN | URVAN |
| 3940-G | NISSAN - DATSUN | PRIMERA |
| 3944-G | AUDI | 100 (C4 SERIES) 90→95 |
| 3945-G | RENAULT RENAULT | R5 - R6 R8 - R10 |
| 3947-G | VOLKSWAGEN | LT SERIES |
| 3950-G | RENAULT RENAULT RENAULT | R18 R4 R5 - R6 |
| 3951-G | DAF DAF JAGUAR | V200 FREIGHT - SHERPA V400 XJ - XJS |
| 3952-G | FORD | TRANSIT (I SERIES) 65→78 |
| 3953-G | OPEL OPEL | ASCONA - MANTA REKORD |
| 3954-G | DAF FORD FORD ROVER SAAB | V200 FREIGHT - SHERPA TRANSIT (I SERIES) 65→78 TRANSIT (II SERIES) 78→86 TRIUMPH 95 - 96 |
| 3955-G | VOLVO | 140 - 164 |
| 3956-G | ISUZU ISUZU ISUZU | CHEVROLET LUV PICK - UP FASTER (PICK-UP - KB - KBG - KBD) TROOPER |
| 3957-G | FORD | GRANADA - CONSUL |
| 3958-G | OPEL | ASCONA - MANTA |
| 3959-G | MAZDA | B SERIES |
| 3960-G | FORD FORD FORD FORD HYUNDAI SAAB | CAPRI CORTINA ESCORT - ORION TAUNUS STELLAR 90 |
| 3961-G | IVECO | DAILY (II SERIES) 01-90→05-99 |



REPAIR KITS & THEIR APPLICATIONS



| | | |
|---------------|-----------------|---|
| 3961-G | IVECO | ZETA |
| 3962-G | MAN | 6 → 10 SERIES |
| 3963-G | MAN | 11 → 34 SERIES |
| 3964-G | MAN | 11 → 34 SERIES |
| 3965-G | DAF | V400 |
| 3966-G | DAF | V400 |
| | RENAULT | R.V.I (RENAULT TRUCKS) |
| 3967-G | FORD | TRANSIT (III SERIES) 86→00 |
| 3968-G | VOLKSWAGEN | 1.200 - 1.300 - 1.500 - 1.600 BEETLE |
| 3969-G | VOLVO | 140 - 164 |
| 3970-G | RENAULT | ALPINE |
| | RENAULT | R4 |
| 3971-G | MERCEDES | T2-L (BM309-310) 1-68→12-88 |
| 3972-G | TOYOTA | COROLLA (KE - TE SERIES) 02-70→11-81 |
| | TOYOTA | CORONA |
| 3973-G | DAIHATSU | CHARADE |
| 3974-G | DAIHATSU | CHARADE |
| 3975-G | DAIHATSU | FEROZA |
| | DAIHATSU | ROCKY |
| 3976-G | HYUNDAI | ELANTRA |
| | HYUNDAI | LANTRA |
| | HYUNDAI | PONY - EXCEL |
| | HYUNDAI | SCOUPE |
| 3977-G | ISUZU | TROOPER |
| 3978-G | HYUNDAI | SCOUPE |
| 3979-G | HYUNDAI | H100 (VAN) |
| 3980-G | MITSUBISHI | GALANT (II SERIES) 09-80→05-84 |
| | MITSUBISHI | L200 |
| 3981-G | NISSAN - DATSUN | PRIMERA |
| | SUZUKI | SWIFT |
| 3982-G | OPEL | CALIBRA |
| | OPEL | VECTRA |
| | SAAB | 9.3 |
| | SAAB | 900 |
| 3983-G | TOYOTA | CELICA |
| 3984-G | DAIHATSU | 55 WIDE CAB |
| | DAIHATSU | HIJET |
| 3985-G | ISUZU | CHEVROLET LUV PICK - UP |
| | ISUZU | ELF |
| | ISUZU | FARGO |
| | ISUZU | FASTER (PICK-UP - KB - KBG - KBD) |
| 3986-G | VOLKSWAGEN | CADDY |
| | VOLKSWAGEN | GOLF (II SERIES) 08-83→12-92 |
| | VOLKSWAGEN | JETTA (II SERIES) 08-83→12-92 |
| | VOLKSWAGEN | PASSAT (3A2 - 35I - 3A5 - 35I) 02-88→12-97 |
| | VOLKSWAGEN | SCIROCCO |
| 3987-G | ISUZU | ELF |
| 3988-G | ISUZU | FORWARD |
| 3989-G | SUZUKI | SWIFT |
| 3990-G | MAZDA | 626 |
| | MAZDA | 929 |
| | MAZDA | E1 - E2 (VAN - WAGON - PICK-UP) |
| 3991-G | SUZUKI | BALENO |
| | SUZUKI | JIMNY |
| | SUZUKI | SJ410 - SJ413 - SAMURAI |

| | | |
|---------------|-----------------|---------------------------------|
| | SUZUKI | VITARA - GRAND VITARA |
| 3992-G | NISSAN - DATSUN | PRIMERA |
| 3993-G | MITSUBISHI | CANTER |
| 3994-G | NISSAN - DATSUN | CIVILIAN - CAVALLIER - CLIPPER |
| | NISSAN - DATSUN | PATROL |
| 3995-G | ISUZU | ELF |
| | NISSAN - DATSUN | CIVILIAN - CAVALLIER - CLIPPER |
| 3996-G | NISSAN - DATSUN | CIVILIAN - CAVALLIER - CLIPPER |
| 3997-G | SUZUKI | PICK-UP (ST80 - ST90) |
| 3998-G | TOYOTA | CRESSIDA |
| | TOYOTA | CROWN |
| 3999-G | OPEL | FRONTERA |
| 4100-G | MAZDA | 1.3 - 1.6 - 1.8 |
| | MAZDA | 121 |
| | MAZDA | 626 |
| | MAZDA | 929 |
| 4101-G | CITROËN | XSARA |
| | PEUGEOT | 206 |
| | PEUGEOT | 306 |
| 4102-G | CITROËN | C4 |
| | CITROËN | C5 |
| | CITROËN | XSARA |
| | PEUGEOT | 206 |
| | PEUGEOT | 306 |
| | PEUGEOT | 307 |
| 4103-G | TOYOTA | CAMRY |
| 4104-G | IVECO | ZETA |
| 4105-G | IVECO | DAILY (II SERIES) 01-90→05-99 |
| 4106-G | ISUZU | GEMINI |
| 4107-G | MAZDA | 323 (BD SERIE) 06-80→10-89 |
| | MAZDA | 323 (FA SERIES) 01-77→05-86 |
| | MAZDA | B SERIES |
| | MAZDA | E1 - E2 (VAN - WAGON - PICK-UP) |
| 4108-G | FORD | CAPRI |
| | FORD | GRANADA - CONSUL |
| 4109-G | FORD | GRANADA - CONSUL |
| | FORD | TAUNUS |
| 4110-G | SUZUKI | ALTO |
| 4111-G | ISUZU | ELF |
| 4112-G | ISUZU | ELF |
| 4113-G | ISUZU | ELF |
| 4114-G | MITSUBISHI | CANTER |
| | MITSUBISHI | ROSA |
| 4115-G | OPEL | OMEGA |
| 4116-G | HONDA | ACCORD (IV SERIES) 11-89→12-93 |
| | ROVER | 600 SERIES |
| 4117-G | TOYOTA | STARLET |
| 4119-G | FORD | MONDEO |
| 4120-G | BMW | 5 SERIES (E34) 88→ |
| | BMW | 7 SERIES (E32) 87→ |
| 4121-G | TOYOTA | DYNA |
| 4122-G | VOLVO | 850 |
| 4123-G | ISUZU | ELF |
| 4124-G | SUBARU | LEONE |
| 4125-G | NISSAN - DATSUN | ALMERA |
| | NISSAN - DATSUN | CABSTAR - ATLAS |

MANUFACTURAS WRAKYNSON

www.wrakynson.com

Page 507 of 822



REPAIR KITS & THEIR APPLICATIONS



| | | |
|---------------|-----------------|--|
| 4125-G | NISSAN - DATSUN | SUNNY - PULSAR - 100NX (B13 SERIES) |
| 4126-G | NISSAN - DATSUN | PRIMERA |
| 4127-G | TOYOTA | LAND CRUISER |
| 4128-G | JEEP | CHEROKEE |
| 4129-G | DAEWOO | LANOS |
| 4130-G | HYUNDAI | ATOS |
| 4131-G | ALFA ROMEO | 155 |
| 4132-G | AUDI | A3 (8L SERIES) 96→03 |
| | AUDI | TT (8N SERIES) 98→06 |
| | SEAT | LEON |
| | SEAT | TOLEDO |
| | SKODA | OCTAVIA |
| | VOLKSWAGEN | BORA |
| | VOLKSWAGEN | GOLF (IV SERIES) 08-97→06-05 |
| | VOLKSWAGEN | NEW BEETLE |
| 4133-G | RENAULT | CLIO |
| 4134-G | HYUNDAI | H1 |
| 4135-G | CHRYSLER | STRATUS |
| 4136-G | HYUNDAI | SONATA |
| 4137-G | AUDI | A4 (B5 SERIES) 94→01 |
| | AUDI | A6 (C5 SERIES) 97→04 |
| | AUDI | ALLROAD |
| | VOLKSWAGEN | PASSAT (3B2 - 3B5) 08-96→12-01 |
| 4138-G | CHRYSLER | NEON |
| 4139-G | CHRYSLER | VOYAGER |
| 4140-G | OPEL | SINTRA |
| 4141-G | FORD | GALAXY |
| | MERCEDES | SPRINTER (BM901-902-903-904-905) 95→06 |
| | MERCEDES | V-CLASS (BM638-2) 2-96→7-03 |
| | MERCEDES | VITO (BM638) 02-96→7-03 |
| | SAAB | 9.3 |
| | SEAT | ALHAMBRA |
| | VOLKSWAGEN | SHARAN |
| 4142-G | TOYOTA | AVENSIS |
| 4143-G | NISSAN - DATSUN | KUBISTAR |
| | RENAULT | CLIO |
| | RENAULT | KANGOO |
| 4144-G | IVECO | EUROCARGO |
| 4145-G | IVECO | EUROCARGO |
| 4146-G | IVECO | EUROSTAR - EUROTECH - TRAKKER |
| 4147-G | KIA | RETONA |
| | KIA | SEPHIA |
| | KIA | SHUMA |
| 4148-G | VOLVO | S60 - S80 |
| | VOLVO | XC70 |
| 4149-G | NISSAN - DATSUN | URVAN |
| | OPEL | ASCONA - MANTA |
| | OPEL | CORSA (A SERIES) |
| | OPEL | KADETT |
| 4150-G | ALFA ROMEO | 33 |
| | ALFA ROMEO | ARNA |
| | POLSKI | 127 - 132 |
| | SEAT | 124 - 128 - 1200 - 1430 - D - SPORT |
| | SEAT | 127 - FURA |
| 4152-G | BMW | 3 SERIES (E21) 75→82 |

| | | |
|---------------|----------|---|
| | BMW | 3 SERIES (E30) 83→ |
| | BMW | 5 SERIES (E12) 72→81 |
| | BMW | 5 SERIES (E28) 81→88 |
| | BMW | 6 SERIES (E24) 76→88 |
| 4153-G | FORD | CORTINA |
| | FORD | TAUNUS |
| 4154-G | OPEL | ASCONA - MANTA |
| 4155-G | VOLVO | 140 - 164 |
| 4156-G | OPEL | REKORD |
| 4157-G | ISUZU | FASTER (PICK-UP - KB - KBG - KBD) |
| 4158-G | IVECO | 115 - 135 - 145 - 190 - 260 - 330 - MAGIRUS |
| 4159-G | CITROËN | C25 |
| | FIAT | TALENTO |
| | PEUGEOT | J5 |
| 4160-G | FORD | TRANSIT (III SERIES) 86→00 |
| 4161-G | DAIHATSU | 55 WIDE CAB |
| | DAIHATSU | CHARADE |
| | DAIHATSU | CHARMANT |
| | DAIHATSU | CUORE |
| | TOYOTA | COROLLA (KE - TE SERIES) 02-70→11-81 |
| | TOYOTA | CORONA |
| 4162-G | TOYOTA | STOUT |
| 4164-G | DAIHATSU | CHARMANT |
| | TOYOTA | CARINA |
| | TOYOTA | CELICA |
| | TOYOTA | COROLLA (KE - TE SERIES) 02-70→11-81 |
| | TOYOTA | CORONA |
| | TOYOTA | CROWN |
| | TOYOTA | HIACE |
| | TOYOTA | HILUX |
| | TOYOTA | STOUT |
| 4165-G | TOYOTA | DYNA |
| 4166-G | TOYOTA | AVENSIS |
| | TOYOTA | CARINA |
| | TOYOTA | CRESSIDA |
| 4167-G | RENAULT | MEGANE |
| 4168-G | TOYOTA | CAMRY |
| | TOYOTA | CARINA |
| | TOYOTA | CELICA |
| | TOYOTA | COROLLA (E10 SERIES) 06-91→11-99 |
| | TOYOTA | COROLLA (E8 SERIES) 05-83→06-89 |
| | TOYOTA | COROLLA (E9 - SERIES) 05-87→10-95 |
| | TOYOTA | CORONA |
| 4169-G | TOYOTA | DYNA |
| | TOYOTA | LAND CRUISER |
| 4170-G | TOYOTA | HIACE |
| 4171-G | DAIHATSU | CHARADE |
| 4172-G | DAIHATSU | 55 WIDE CAB |
| | DAIHATSU | CHARADE |
| | DAIHATSU | HIJET |
| 4173-G | HONDA | CIVIC (II SERIES) |
| 4174-G | ISUZU | CHEVROLET LUV PICK - UP |

MANUFACTURAS WRACKYNSON

www.wrakynson.com

Page 508 of 822



REPAIR KITS & THEIR APPLICATIONS



| | | |
|---------------|-----------------|---------------------------------------|
| 4174-G | ISUZU | FASTER (PICK-UP - KB - KBG - KBD) |
| 4175-G | IVECO | DAILY (II SERIES) 01-90→05-99 |
| 4176-G | ISUZU | CHEVROLET LUV PICK - UP |
| | ISUZU | FASTER (PICK-UP - KB - KBG - KBD) |
| 4177-G | CITROËN | C2 |
| | CITROËN | C3 |
| | HYUNDAI | ELANTRA |
| | HYUNDAI | H100 (VAN) |
| | HYUNDAI | LANTRA |
| | HYUNDAI | SONATA |
| 4178-G | NISSAN - DATSUN | MICRA |
| | NISSAN - DATSUN | SUNNY - PULSAR - 100NX (B13 SERIES) |
| 4179-G | DAIHATSU | CHARADE |
| | DAIHATSU | CUORE |
| 4180-G | DAIHATSU | DELTA |
| | TOYOTA | DYNA |
| 4181-G | DAIHATSU | DELTA |
| | TOYOTA | DYNA |
| | TOYOTA | LAND CRUISER |
| | TOYOTA | STOUT |
| 4182-G | MAZDA | 323 (BF - BW SERIES) 08-85→10-98 |
| 4183-G | NISSAN - DATSUN | PICK-UP |
| | NISSAN - DATSUN | URVAN |
| 4184-G | TOYOTA | COASTER BUS |
| | TOYOTA | DYNA |
| 4185-G | ISUZU | CHEVROLET LUV PICK - UP |
| | ISUZU | FARGO |
| | ISUZU | FASTER (PICK-UP - KB - KBG - KBD) |
| 4186-G | ISUZU | GEMINI |
| 4187-G | MAZDA | 323 (FA SERIES) 01-77→05-86 |
| 4188-G | MAZDA | 929 |
| 4189-G | MITSUBISHI | LANCER (III SERIES C1-C3) 11-83→06-92 |
| | MITSUBISHI | SPACE WAGON |
| 4190-G | MAZDA | B SERIES |
| 4191-G | MITSUBISHI | DELICA |
| 4192-G | MAZDA | E2 - E3 - T (TRUCKS) |
| 4193-G | MAZDA | E2 - E3 - T (TRUCKS) |
| 4194-G | MAZDA | E2 - E3 - T (TRUCKS) |
| 4195-G | DAIHATSU | DELTA |
| 4196-G | ISUZU | ELF |
| 4197-G | DAIHATSU | DELTA |
| 4198-G | ISUZU | ELF |
| 4199-G | ISUZU | ELF |
| 4200-G | ISUZU | ELF |
| 4201-G | ISUZU | ELF |
| 4202-G | NISSAN - DATSUN | E 20 |
| 4203-G | NISSAN - DATSUN | E 20 |
| 4204-G | BMW | 3 SERIES (E36) 91→ |
| | BMW | Z3 |
| 4205-G | MITSUBISHI | CANTER |
| 4206-G | TOYOTA | HEAVY DUTY TRUCK |
| 4207-G | SUZUKI | SWIFT |
| 4208-G | MITSUBISHI | L300 |

| | | |
|---------------|-----------------|-------------------------------------|
| 4209-G | SUZUKI | LJ50-80 |
| | SUZUKI | PICK-UP (ST80 - ST90) |
| 4210-G | SUZUKI | PICK-UP (ST80 - ST90) |
| 4211-G | FORD | TRANSIT (III SERIES) 86→00 |
| 4212-G | FORD | TRANSIT (III SERIES) 86→00 |
| 4213-G | FORD | TRANSIT (III SERIES) 86→00 |
| 4215-G | VOLKSWAGEN | TRANSPORTER (IV SERIES) 07-90→04-03 |
| 4216-G | ISUZU | GEMINI |
| | KIA | BESTA |
| | MAZDA | E1 - E2 (VAN - WAGON - PICK-UP) |
| 4217-G | VOLKSWAGEN | TRANSPORTER (IV SERIES) 07-90→04-03 |
| 4218-G | NISSAN - DATSUN | BLUEBIRD |
| | NISSAN - DATSUN | C120 |
| | NISSAN - DATSUN | LAUREL |
| | NISSAN - DATSUN | SKYLINE |
| 4219-G | SUZUKI | CARRY |
| | SUZUKI | LJ50-80 |
| | SUZUKI | PICK-UP (ST80 - ST90) |
| | SUZUKI | SJ410 - SJ413 - SAMURAI |
| 4220-G | MAZDA | 626 |
| 4221-G | FORD | TRADER |
| | MAZDA | E1 - E2 (VAN - WAGON - PICK-UP) |
| | MAZDA | E2 - E3 - T (TRUCKS) |
| 4222-G | FORD | TRADER |
| | ISUZU | ELF |
| | MAZDA | E2 - E3 - T (TRUCKS) |
| 4223-G | TOYOTA | COASTER BUS |
| | TOYOTA | DYNA |
| 4224-G | MITSUBISHI | CANTER |
| 4225-G | MITSUBISHI | CANTER |
| | MITSUBISHI | ROSA |
| 4226-G | KIA | BESTA |
| | KIA | RETONA |
| | KIA | SEPHIA |
| | KIA | SHUMA |
| | KIA | SPORTAGE |
| | MAZDA | E2 - E3 - T (TRUCKS) |
| 4227-G | MITSUBISHI | CANTER |
| | MITSUBISHI | ROSA |
| 4228-G | FORD | TRADER |
| | MAZDA | E2 - E3 - T (TRUCKS) |
| 4229-G | FORD | TRADER |
| | MAZDA | E2 - E3 - T (TRUCKS) |
| 4230-G | ISUZU | ELF |
| 4231-G | MITSUBISHI | CANTER |
| | MITSUBISHI | ROSA |
| 4232-G | MITSUBISHI | DELICA |
| | MITSUBISHI | L300 |
| 4234-G | TOYOTA | HEAVY DUTY TRUCK |
| 4235-G | DAIHATSU | DELTA |
| 4236-G | MITSUBISHI | CANTER |
| 4237-G | ISUZU | ELF |
| 4238-G | TOYOTA | LAND CRUISER |
| 4239-G | SUZUKI | SJ410 - SJ413 - SAMURAI |
| 4241-G | NISSAN - DATSUN | MICRA |

MANUFACTURAS WRAKYNSON

www.wrakynson.com

Page 509 of 822



REPAIR KITS & THEIR APPLICATIONS



| | | |
|---------------|-----------------|---|
| 4242-G | ALFA ROMEO | 147 |
| | ALFA ROMEO | 155 |
| | ALFA ROMEO | 156 |
| | ALFA ROMEO | 166 |
| | FIAT | BRAVO - BRAVA |
| | FIAT | CROMA |
| | FIAT | MAREA |
| | LANCIA | KAPPA |
| | LANCIA | LYBRA |
| 4243-G | NISSAN - DATSUN | PICK-UP |
| | NISSAN - DATSUN | TERRANO |
| 4244-G | FIAT | PANDA - MARBELLA |
| | FIAT | SEICENTO |
| 4245-G | JEEP | CHEROKEE |
| 4246-G | FIAT | BRAVO - BRAVA |
| | FIAT | MAREA |
| 4247-G | FIAT | GRANDE PUNTO |
| | FIAT | PANDA - MARBELLA |
| | FIAT | PUNTO (176 SERIES) |
| | LANCIA | YPSILON |
| 4248-G | PEUGEOT | 206 |
| 4249-G | MERCEDES | SPRINTER (BM901-902-903-904-905) 95→06 |
| | MERCEDES | V-CLASS (BM638-2) 2-96→7-03 |
| | MERCEDES | VITO (BM638) 02-96→7-03 |
| 4250-G | HYUNDAI | PONY - EXCEL |
| | HYUNDAI | SCOUPE |
| | SKODA | FELICIA |
| | TALBOT | HORIZON |
| | TOYOTA | AVENSIS |
| 4251-G | AUDI | A3 (8L SERIES) 96→03 |
| | SEAT | INCA |
| | SEAT | LEON |
| | SEAT | TOLEDO |
| | SKODA | OCTAVIA |
| | VOLKSWAGEN | BORA |
| | VOLKSWAGEN | GOLF (IV SERIES) 08-97→06-05 |
| | VOLKSWAGEN | POLO (III SERIES) 09-94→10-01 |
| 4252-G | IVECO | EUROCARGO |
| 4253-G | AUDI | A2 |
| | AUDI | A3 (8L SERIES) 96→03 |
| | SEAT | LEON |
| | SEAT | TOLEDO |
| | SKODA | OCTAVIA |
| | VOLKSWAGEN | BORA |
| | VOLKSWAGEN | NEW BEETLE |
| | VOLKSWAGEN | TRANSPORTER (IV SERIES) 07-90→04-03 |
| 4254-G | KIA | CLARUS |
| | KIA | SEPHIA |
| | KIA | SHUMA |
| 4255-G | KIA | SPORTAGE |
| 4256-G | RENAULT | R21 - NEVADA |
| 4257-G | ALFA ROMEO | SPIDER |
| | FORD | CAPRI |
| | FORD | ESCORT - ORION |
| | OPEL | ASCONA - MANTA |

| | | |
|---------------|-----------------|---|
| | OPEL | KADETT |
| | OPEL | REKORD |
| | ROVER | TRIUMPH |
| | SAAB | 99 |
| 4258-G | DAF | 44 - 55 - 66 |
| | OPEL | KADETT |
| | OPEL | KADETT |
| | OPEL | OLYMPIA |
| | TALBOT | SIMCA 900 - 1000 |
| | VOLVO | 66 |
| 4259-G | CITROËN | CX |
| 4260-G | TOYOTA | CAMRY |
| | TOYOTA | CARINA |
| | TOYOTA | CELICA |
| | TOYOTA | COROLLA VERSO (E12 SERIES) 09-01→01-04 |
| | TOYOTA | PIC-NIC |
| 4261-G | ROVER | 200 - 400 SERIES |
| 4262-G | NISSAN - DATSUN | BLUEBIRD |
| | NISSAN - DATSUN | SKYLINE |
| | NISSAN - DATSUN | STANZA |
| 4263-G | OPEL | REKORD |
| 4264-G | ISUZU | TROOPER |
| 4265-G | ALFA ROMEO | 6 |
| | ALFA ROMEO | ALFASUD |
| | ALFA ROMEO | ALFASUD SPRINT |
| 4266-G | TOYOTA | DYNA |
| | TOYOTA | HIACE |
| | TOYOTA | HILUX |
| | VOLKSWAGEN | TARO |
| 4267-G | CHEVROLET | NUBIRA |
| | DAEWOO | NUBIRA |
| 4268-G | FORD | TRANSIT (III SERIES) 86→00 |
| 4269-G | DAIHATSU | CHARADE |
| 4270-G | ISUZU | CHEVROLET LUV PICK - UP |
| | ISUZU | FASTER (PICK-UP - KB - KBG - KBD) |
| 4271-G | ISUZU | CHEVROLET LUV PICK - UP |
| | ISUZU | D-MAX |
| | ISUZU | FASTER (PICK-UP - KB - KBG - KBD) |
| | ISUZU | TROOPER |
| | OPEL | FRONTERA |
| 4272-G | ISUZU | TROOPER |
| | MERCEDES | UNIMOG 01-66→ |
| | OPEL | FRONTERA |
| | OPEL | MONTEREY |
| 4273-G | MAZDA | 626 |
| | OPEL | FRONTERA |
| | OPEL | MONTEREY |
| 4274-G | DAIHATSU | TAFT |
| | FORD | COURIER |
| | MAZDA | 929 |
| | MAZDA | B SERIES |
| 4275-G | CITROËN | AX |
| | CITROËN | SAXO |
| | PEUGEOT | 106 |
| 4276-G | MAZDA | 626 |

MANUFACTURAS WRAKYNSON

www.wrakynson.com

Page 510 of 822



REPAIR KITS & THEIR APPLICATIONS



| | | |
|---------------|------------|------------------------------------|
| 4276-G | MAZDA | 929 |
| 4277-G | FORD | PROBE |
| | MAZDA | 323 (BF - BW SERIES) 08-85→10-98 |
| | MAZDA | 626 |
| 4278-G | MITSUBISHI | MONTERO |
| | MITSUBISHI | PAJERO |
| 4279-G | TOYOTA | DYNA |
| | TOYOTA | HIACE |
| 4280-G | DAIHATSU | CHARMANT |
| | TOYOTA | CARINA |
| | TOYOTA | CELICA |
| | TOYOTA | COROLLA (E7 SERIES) 09-79→08-87 |
| | TOYOTA | CORONA |
| 4281-G | TOYOTA | STARLET |
| 4282-G | FORD | ESCORT - ORION |
| | KIA | SEPHIA |
| | KIA | SHUMA |
| 4284-G | DAIHATSU | CUORE |
| | DAIHATSU | HIJET |
| | DAIHATSU | SIRION |
| | DAIHATSU | YRV |
| | KIA | RIO |
| | MAZDA | 121 |
| | MAZDA | DEMIO |
| 4285-G | TOYOTA | STARLET |
| | TOYOTA | TERCEL |
| 4286-G | MITSUBISHI | COLT |
| | MITSUBISHI | ECLIPSE |
| | MITSUBISHI | ETERNA |
| | MITSUBISHI | GALANT (IV SERIES) 11-87→03-93 |
| | MITSUBISHI | GALANT (V SERIES) 11-92→10-96 |
| | MITSUBISHI | GALANT (VI SERIES) 09-96→10-04 |
| | MITSUBISHI | L200 |
| | MITSUBISHI | L400 |
| | MITSUBISHI | MONTERO |
| | MITSUBISHI | PAJERO |
| | MITSUBISHI | SPACE GEAR |
| | MITSUBISHI | SPACE WAGON |
| 4287-G | HYUNDAI | ATOS |
| 4288-G | CITROËN | XSARA |
| | FIAT | 500 |
| | FIAT | CINQUECENTO |
| | FIAT | PANDA - MARBELLA |
| | FIAT | PUNTO (176 SERIES) |
| | FIAT | PUNTO (188 SERIES) |
| | FIAT | SEICENTO |
| | FORD | KA |
| | LANCIA | Y10 - A112 - FIRE LX |
| | PEUGEOT | 206 |
| 4289-G | ALFA ROMEO | 159 |
| | ALFA ROMEO | BRERA |
| | ALFA ROMEO | SPIDER |
| | AUDI | A3 (8L SERIES) 96→03 |
| | AUDI | A3 (8P SERIES) 02→12 |
| | AUDI | A4 (B7 SERIES) 05→07 |
| | AUDI | TT (8J SERIES) 07→14 |

| | | |
|---------------|-----------------|--------------------------------|
| | AUDI | TT (8N SERIES) 98→06 |
| | CITROËN | JUMPY |
| | FIAT | CROMA |
| | FIAT | SCUDO |
| | NISSAN - DATSUN | PRIMASTAR |
| | OPEL | INSIGNIA |
| | OPEL | VIVARO |
| | OPEL | ZAFIRA |
| | PEUGEOT | EXPERT |
| | RENAULT | TRAFIC |
| | SAAB | 9.5 |
| | SEAT | ALTEA |
| | SEAT | LEON |
| | SEAT | TOLEDO |
| | SKODA | OCTAVIA |
| | SKODA | SUPERB |
| | SKODA | YETI |
| | VOLKSWAGEN | BORA |
| | VOLKSWAGEN | CADDY |
| | VOLKSWAGEN | EOS |
| | VOLKSWAGEN | GOLF (IV SERIES) 08-97→06-05 |
| | VOLKSWAGEN | GOLF (V SERIES) 10-03→02-09 |
| | VOLKSWAGEN | GOLF (VI SERIES) 10-08→11-13 |
| | VOLKSWAGEN | GOLF PLUS 01-05→ |
| | VOLKSWAGEN | JETTA (III SERIES) 08-05→10-10 |
| | VOLKSWAGEN | MULTIVAN |
| | VOLKSWAGEN | TOURAN |
| | VOLKSWAGEN | TRANSPORTER (V SERIES) 04-03→ |
| 4290-G | AUDI | COUPE |
| | LAND ROVER | FREELANDER |
| 4291-G | AUDI | 100 (C4 SERIES) 90→95 |
| | AUDI | A4 (B5 SERIES) 94→01 |
| | AUDI | A6 (C4 SERIES) 94→97 |
| | AUDI | A8 (4D SERIES) 94→03 |
| | VOLKSWAGEN | PHAETON |
| 4292-G | AUDI | A8 (4D SERIES) 94→03 |
| 4293-G | SEAT | AROSA |
| | SEAT | AROSA |
| | SEAT | CORDOBA |
| | SEAT | CORDOBA |
| | SEAT | CORDOBA |
| | SEAT | IBIZA |
| | SEAT | IBIZA |
| | SEAT | IBIZA |
| | SEAT | TOLEDO |
| | SEAT | FABIA |
| | SEAT | CADDY |
| | VOLKSWAGEN | FOX |
| | VOLKSWAGEN | FOX |
| | VOLKSWAGEN | GOLF (II SERIES) 08-83→12-92 |
| | VOLKSWAGEN | GOLF (II SERIES) 08-83→12-92 |
| | VOLKSWAGEN | GOLF (III SERIES) 08-91→07-98 |
| | VOLKSWAGEN | GOLF (III SERIES) 08-91→07-98 |
| | VOLKSWAGEN | JETTA (II SERIES) 08-83→12-92 |
| | VOLKSWAGEN | JETTA (II SERIES) 08-83→12-92 |
| | VOLKSWAGEN | LUPO |
| | VOLKSWAGEN | PASSAT (32B) 11-79→06-89 |
| | VOLKSWAGEN | POLO (II SERIES) 10-81→09-94 |

MANUFACTURAS WRAKYNSON

www.wrakynson.com

Page 511 of 822



REPAIR KITS & THEIR APPLICATIONS



| | | |
|---------------|-----------------|---|
| 4293-G | VOLKSWAGEN | POLO (II SERIES) 10-81→09-94 |
| | VOLKSWAGEN | POLO (III SERIES) 09-94→10-01 |
| | VOLKSWAGEN | POLO (III SERIES) 09-94→10-01 |
| | VOLKSWAGEN | POLO (III SERIES) 09-94→10-01 |
| | VOLKSWAGEN | POLO CLASSIC |
| | VOLKSWAGEN | POLO CLASSIC |
| | VOLKSWAGEN | SANTANA |
| | VOLKSWAGEN | SCIROCCO |
| | VOLKSWAGEN | VENTO |
| 4295-G | CHRYSLER | VOYAGER |
| | JEEP | CHEROKEE |
| | JEEP | GRAND CHEROKEE |
| | JEEP | WRANGLER |
| | KIA | CARNIVAL |
| 4296-G | CHRYSLER | 300M |
| | CHRYSLER | LE BARON |
| | CHRYSLER | VOYAGER |
| | MERCEDES | M-CLASS (W163) 2-98→6-05 |
| 4297-G | CHRYSLER | VOYAGER |
| 4298-G | CHRYSLER | STRATUS |
| 4299-G | DAF | F45 - F600 - F800 - F1000 →95 |
| 4300-G | FIAT | CINQUECENTO |
| | FIAT | PUNTO (176 SERIES) |
| | FIAT | SEICENTO |
| | LANCIA | YPSILON |
| 4301-G | HYUNDAI | SCOUBE |
| 4302-G | RENAULT | R21 - NEVADA |
| 4303-G | FORD | TRANSIT (III SERIES) 86→00 |
| 4304-G | HYUNDAI | H100 (VAN) |
| 4305-G | HYUNDAI | GALLOPER |
| | HYUNDAI | SONATA |
| | KIA | MAGENTIS |
| | MITSUBISHI | GALLOPER |
| | NISSAN - DATSUN | 200SX |
| | NISSAN - DATSUN | JUKE |
| | NISSAN - DATSUN | MAXIMA |
| | NISSAN - DATSUN | PRAIRIE |
| | NISSAN - DATSUN | PRIMERA |
| | SUZUKI | SX4 |
| 4306-G | CHRYSLER | 300M |
| 4307-G | CHEVROLET | TRANS SPORT |
| | MITSUBISHI | GALANT (V SERIES) 11-92→10-96 |
| | MITSUBISHI | L400 |
| | MITSUBISHI | SPACE GEAR |
| | MITSUBISHI | SPACE WAGON |
| | OPEL | SINTRA |
| | SUBARU | IMPREZA |
| 4308-G | CHEVROLET | TRANS SPORT |
| | OPEL | SINTRA |
| 4309-G | MERCEDES | SPRINTER (BM901-902-903-904-905) 95→06 |
| | MERCEDES | V-CLASS (BM638-2) 2-96→7-03 |
| | MERCEDES | VITO (BM638) 02-96→7-03 |
| 4310-G | FORD | CARGO |
| | IVECO | EUROCARGO |
| | MERCEDES | T2-LN1 (BM667-668-669-670) 3-86→ |
| | MERCEDES | VARIO 9-96→ |

| | | |
|---------------|------------|-------------------------------|
| 4311-G | IVECO | DAILY (IV SERIES) 06-06→09-11 |
| | IVECO | EUROCARGO |
| 4312-G | IVECO | EUROCARGO |
| 4314-G | IVECO | EUROCARGO |
| 4316-G | VOLVO | 740 - 760 - 780 |
| | VOLVO | 850 |
| | VOLVO | 940 - 960 |
| | VOLVO | S70 - V70 - C70 |
| 4318-G | ALFA ROMEO | 147 |
| | ALFA ROMEO | 156 |
| | ALFA ROMEO | GT |
| | AUDI | A1 |
| | AUDI | A3 (8P SERIES) 02→12 |
| | AUDI | TT (8J SERIES) 07→14 |
| | BMW | 1 SERIES (E81 - E87) 09-04→ |
| | BMW | 1 SERIES CABRIO (E88) 03-07→ |
| | BMW | 1 SERIES COUPE (E82) 09-07→ |
| | BMW | 3 SERIES (E90) 05→ |
| | BMW | 3 SERIES (E92) 6-06→ |
| | DACIA | DOKKER |
| | DACIA | DUSTER |
| | DACIA | LODGY |
| | FIAT | 500 |
| | FIAT | PANDA - MARBELLA |
| | FIAT | PUNTO (199 SERIES) |
| | FORD | FIESTA |
| | FORD | FOCUS |
| | FORD | FUSION |
| | FORD | KA |
| | FORD | PUMA |
| | FORD | TOURNEO |
| | FORD | TRANSIT CONNECT |
| | LANCIA | LYBRA |
| | LANCIA | YPSILON |
| | MAZDA | 121 |
| | MAZDA | 2 |
| | RENAULT | CAPTUR |
| | RENAULT | FLUENCE |
| | RENAULT | GRAND SCENIC |
| | RENAULT | MEGANE |
| | RENAULT | MEGANE |
| | RENAULT | SCENIC |
| | RENAULT | SCENIC |
| | SEAT | ALTEA |
| | SEAT | IBIZA |
| | SEAT | LEON |
| | SEAT | TOLEDO |
| | SKODA | FABIA |
| | SKODA | OCTAVIA |
| | SKODA | RAPID |
| | SKODA | ROOMSTER |
| | SKODA | SUPERB |
| | SKODA | YETI |
| | TOYOTA | YARIS |
| | VOLKSWAGEN | CADDY |
| | VOLKSWAGEN | CC (358 SERIES) 11-11→ |
| | VOLKSWAGEN | EOS |

MANUFACTURAS WRAKYNSON

www.wrakynson.com

Page 512 of 822



REPAIR KITS & THEIR APPLICATIONS



| | | |
|---------------|--|--|
| 4318-G | VOLKSWAGEN VOLKSWAGEN VOLKSWAGEN VOLKSWAGEN VOLKSWAGEN VOLKSWAGEN VOLKSWAGEN VOLKSWAGEN VOLKSWAGEN VOLKSWAGEN | GOLF (V SERIES) 10-03→02-09 GOLF (VI SERIES) 10-08→11-13 GOLF PLUS 01-05→ JETTA (III SERIES) 08-05→10-10 JETTA (IV SERIES) 04-10→ NEW BEETLE PASSAT (3C2 - 3C5) 03-05→ POLO (V SERIES) 06-09→ SCIROCCO TOURAN |
| 4320-G | PEUGEOT RENAULT RENAULT | 205 R18 R9 - R11 |
| 4321-G | TOYOTA | COROLLA (E9 - SERIES) 05-87→10-95 |
| 4322-G | RENAULT RENAULT SEAT | R4 R5 - R6 PANDA TRANS - TERRA - MARBELLA |
| 4323-G | KIA | PRIDE |
| 4325-G | OPEL VOLKSWAGEN | SENATOR - MONZA 1.200 - 1.300 - 1.500 - 1.600 BEETLE |
| 4326-G | VOLKSWAGEN | 1.200 - 1.300 - 1.500 - 1.600 BEETLE |
| 4327-G | VOLKSWAGEN VOLKSWAGEN | 1.200 - 1.300 - 1.500 - 1.600 BEETLE K70 |
| 4328-G | AUDI AUDI BMW BMW | 100 (C1 SERIES) 68→76 60 - 75 1500 - 2000CS (115 - 116 - 118 - 121) 10-62→11-72 1502 - 2002TII (02) (E10 - E6) 66→77 |
| 4329-G | MERCEDES VOLKSWAGEN | SPRINTER (BM901-902-903-904-905) 95→06 LT SERIES |
| 4330-G | MERCEDES VOLKSWAGEN | SPRINTER (BM901-902-903-904-905) 95→06 LT SERIES |
| 4331-G | MERCEDES OPEL OPEL OPEL SEAT SKODA VOLKSWAGEN | VITO (BM638) 02-96→7-03 ASTRA (F SERIES) ASTRA (G SERIES) ASTRA (H SERIES) ALTEA SUPERB TOURAN |
| 4332-G | CITROËN | XSARA |
| 4333-G | VOLVO | 240 - 260 |
| 4335-G | ROVER | METRO |
| 4336-G | AUDI BMW BMW SKODA SKODA VOLKSWAGEN | COUPE 1500 - 2000CS (115 - 116 - 118 - 121) 10-62→11-72 1502 - 2002TII (02) (E10 - E6) 66→77 RAPID S100 - 105 - 110 - 120 - 130 - 136 K70 |
| 4337-G | FORD FORD FORD FORD FORD HYUNDAI | CAPRI CORTINA GRANADA - CONSUL P100 TAUNUS STELLAR |

| | | |
|---------------|--|---|
| | VOLKSWAGEN VOLKSWAGEN | TRANSPORTER (II SERIES) 08-67→09-79 TRANSPORTER (III SERIES) 05-79→12-92 |
| 4338-G | FORD VOLKSWAGEN | TAUNUS 1.200 - 1.300 - 1.500 - 1.600 BEETLE |
| 4339-G | DAF FORD VOLKSWAGEN | 44 - 55 - 66 TAUNUS 1.200 - 1.300 - 1.500 - 1.600 BEETLE |
| 4340-G | FORD | FOCUS |
| 4342-G | TOYOTA | DYNA |
| 4343-G | BMW BMW | 1502 - 2002TII (02) (E10 - E6) 66→77 3 SERIES (E21) 75→82 |
| 4344-G | DAIHATSU | TAFT |
| 4345-G | ISUZU MITSUBISHI | ELF CANTER |
| 4346-G | VOLKSWAGEN | 1.200 - 1.300 - 1.500 - 1.600 BEETLE |
| 4347-G | DAIHATSU | HIJET |
| 4348-G | DAIHATSU | CHARADE |
| 4349-G | DAIHATSU DAIHATSU DAIHATSU | CHARADE CUORE MIRA |
| 4350-G | MITSUBISHI MITSUBISHI MITSUBISHI MITSUBISHI MITSUBISHI | GALANT (IV SERIES) 11-87→03-93 LANCER (IV SERIES C6-C7) 04-88→05-94 MIRAGE NIMBUS TREDIA - CORDIA |
| 4351-G | HONDA HONDA | ACCORD (III SERIES) 11-85→12-89 ACCORD (IV SERIES) 11-89→12-93 |
| 4352-G | DAIHATSU | CHARADE |
| 4354-G | NISSAN - DATSUN NISSAN - DATSUN NISSAN - DATSUN | 160B - 180B - 200B STANZA SUNNY - PULSAR - 100NX (B13 SERIES) |
| 4355-G | VOLVO TRUCKS | P SERIES |
| 4356-G | ISUZU ISUZU ISUZU ISUZU ISUZU ISUZU MAZDA MAZDA MAZDA MAZDA | CHEVROLET LUV PICK - UP FARGO FASTER (PICK-UP - KB - KBG - KBD) GEMINI SETA TROOPER 323 (BG SERIES) 04-87→09-00 DEMIO MX3 MX5 |
| 4357-G | FORD NISSAN - DATSUN | MAVERICK TERRANO |
| 4358-G | HYUNDAI HYUNDAI MITSUBISHI | SANTA FÉ TRAJET SANTAMO |
| 4359-G | ROVER | MINI 850 - 1.000 - 1300 |
| 4360-G | MITSUBISHI | L300 |
| 4361-G | TOYOTA | HIACE |
| 4362-G | LAND ROVER ROVER | RANGE ROVER TRIUMPH |
| 4364-G | VOLVO | 240 - 260 |
| 4365-G | SUZUKI | LJ50-80 |

MANUFACTURAS WRACKYNSON

www.wrakynson.com

Page 513 of 822



REPAIR KITS & THEIR APPLICATIONS



| | | |
|---------------|-----------------|-------------------------------------|
| 4365-G | SUZUKI | SJ410 - SJ413 - SAMURAI |
| 4367-G | RENAULT | ESPACE |
| | RENAULT | LAGUNA |
| | RENAULT | R21 - NEVADA |
| | RENAULT | SAFRANE |
| 4368-G | VOLVO | 740 - 760 - 780 |
| | VOLVO | 940 - 960 |
| 4369-G | VOLVO | 940 - 960 |
| | VOLVO | S70 - V70 - C70 |
| | VOLVO | XC70 |
| 4370-G | TOYOTA | COASTER BUS |
| | TOYOTA | DYNA |
| | TOYOTA | HIACE |
| | TOYOTA | TOYOACE |
| 4371-G | KIA | CARENS |
| | KIA | CLARUS |
| | KIA | SEPHIA |
| | KIA | SHUMA |
| 4372-G | VOLVO | 140 - 164 |
| 4373-G | OPEL | KADETT |
| 4376-G | KIA | BESTA |
| | KIA | RETONA |
| | KIA | SEPHIA |
| | KIA | SHUMA |
| | KIA | SPORTAGE |
| | MAZDA | E2 - E3 - T (TRUCKS) |
| | NISSAN - DATSUN | BLUEBIRD |
| | NISSAN - DATSUN | CEDRIC |
| | NISSAN - DATSUN | PICK-UP |
| | NISSAN - DATSUN | SUNNY - PULSAR - 100NX (B13 SERIES) |
| 4377-G | NISSAN - DATSUN | CEDRIC |
| | NISSAN - DATSUN | PATROL |
| 4378-G | NISSAN - DATSUN | 200SX |
| | NISSAN - DATSUN | 300ZX |
| | NISSAN - DATSUN | BLUEBIRD |
| | NISSAN - DATSUN | CABSTAR - ATLAS |
| | NISSAN - DATSUN | CEDRIC |
| | NISSAN - DATSUN | CIVILIAN - CAVALLIER - CLIPPER |
| | NISSAN - DATSUN | MAXIMA |
| | NISSAN - DATSUN | PATROL |
| | NISSAN - DATSUN | PICK-UP |
| | NISSAN - DATSUN | PRAIRIE |
| | NISSAN - DATSUN | SERENA |
| | NISSAN - DATSUN | TERRANO |
| | NISSAN - DATSUN | URVAN |
| | NISSAN - DATSUN | VANETTE |
| | SUBARU | FORESTER |
| | SUBARU | IMPREZA |
| | SUBARU | LEGACY (I SERIES) 01-89→08-94 |
| | SUBARU | LEGACY (II SERIES) 02-94→03-99 |
| | SUBARU | LEGACY (III SERIES) 10-98→08-03 |
| 4379-G | NISSAN - DATSUN | CABSTAR - ATLAS |
| | NISSAN - DATSUN | CIVILIAN - CAVALLIER - CLIPPER |
| | NISSAN - DATSUN | MAXIMA |
| | NISSAN - DATSUN | PATROL |
| | NISSAN - DATSUN | PICK-UP |

| | | |
|---------------|-----------------|--------------------------------------|
| | NISSAN - DATSUN | SERENA |
| | NISSAN - DATSUN | SKYLINE |
| | NISSAN - DATSUN | TERRANO |
| | NISSAN - DATSUN | URVAN |
| 4380-G | ROVER | METRO |
| 4381-G | TOYOTA | CAMRY |
| | TOYOTA | CARINA |
| | TOYOTA | CELICA |
| | TOYOTA | CORONA |
| 4382-G | MERCEDES | C-CLASS (S202-S203) 6-96→ |
| | MERCEDES | C-CLASS (W202) 3-93→5-00 |
| | MERCEDES | C-CLASS (W203) 5-00→ |
| | MERCEDES | C-CLASS COUPE (CL203) 03-01→ |
| | MERCEDES | CLC-CLASS (203) 5-08→ |
| | MERCEDES | CLK (C208-C209) 6-97→ |
| | MERCEDES | E-CLASS (W210-S210-T210) 6-95→3-03 |
| | MERCEDES | SLK (R170) 4-96→4-04 |
| | MERCEDES | SLK (R171) 3-04→ |
| | OPEL | VECTRA |
| 4385-G | KIA | PRIDE |
| | MAZDA | 121 |
| 4387-G | TOYOTA | COROLLA (E10 SERIES) 06-91→11-99 |
| | TOYOTA | COROLLA (E11 SERIES) 04-97→06-02 |
| | TOYOTA | RAV-4 |
| 4388-G | ROVER | MINI 850 - 1.000 - 1300 |
| 4389-G | DAIHATSU | DELTA |
| 4390-G | TOYOTA | HIACE |
| 4391-G | TOYOTA | COASTER BUS |
| | TOYOTA | DYNA |
| 4392-G | FORD | ESCORT - ORION |
| 4393-G | VOLKSWAGEN | 1.200 - 1.300 - 1.500 - 1.600 BEETLE |
| 4394-G | VOLKSWAGEN | 1.200 - 1.300 - 1.500 - 1.600 BEETLE |
| 4395-G | FORD | CAPRI |
| | FORD | CORTINA |
| | FORD | ESCORT - ORION |
| | FORD | GRANADA - CONSUL |
| | HOLDEN | TORANA |
| | ROVER | TRIUMPH |
| 4396-G | NISSAN - DATSUN | PATROL |
| 4397-G | MITSUBISHI | GALANT (I SERIES) 01-77→08-80 |
| | MITSUBISHI | LANCER (I SERIES A17) 09-79→02-83 |
| | MITSUBISHI | SAPPORO |
| 4398-G | TOYOTA | LAND CRUISER |
| 4399-G | SUBARU | LEGACY (II SERIES) 02-94→03-99 |
| 4400-G | TOYOTA | HILUX |
| 4401-G | MAZDA | 626 |
| 4402-G | SAAB | 9000 |
| 4403-G | MITSUBISHI | CARISMA |
| 4404-G | AUDI | 100 (C4 SERIES) 90→95 |
| | AUDI | 80 (B4 SERIES) 91→95 |
| | AUDI | A6 (C4 SERIES) 94→97 |
| | AUDI | CABRIOLET |
| | AUDI | COUPE |
| 4405-G | MERCEDES | T2-L (BM309-310) 1-68→12-88 |



REPAIR KITS & THEIR APPLICATIONS



| | | |
|---------------|-----------------|--------------------------------------|
| 4405-G | MERCEDES | T2-LN1 (BM667-668-669-670) 3-86→ |
| 4406-G | MAZDA | 929 |
| 4407-G | FORD | ESCORT - ORION |
| 4408-G | NISSAN - DATSUN | 160B - 180B - 200B |
| | NISSAN - DATSUN | DATSUN 100 - 2.200D SERIES |
| 4409-G | NISSAN - DATSUN | 160B - 180B - 200B |
| | NISSAN - DATSUN | PICK-UP |
| 4410-G | MAZDA | B SERIES |
| 4411-G | RENAULT | R20 |
| | RENAULT | R25 |
| | RENAULT | R30 |
| 4412-G | NISSAN - DATSUN | SUNNY - PULSAR - 100NX (B13 SERIES) |
| | SUBARU | LEONE |
| 4413-G | TOYOTA | CELICA |
| | TOYOTA | COROLLA (KE - TE SERIES) 02-70→11-81 |
| | TOYOTA | CORONA |
| 4414-G | ISUZU | CHEVROLET LUV PICK - UP |
| | ISUZU | FASTER (PICK-UP - KB - KBG - KBD) |
| 4415-G | TOYOTA | CORONA |
| 4416-G | JAGUAR | XJ - XJS |
| 4417-G | OPEL | GT |
| | OPEL | KADETT |
| | OPEL | REKORD |
| 4418-G | JAGUAR | XJ - XJS |
| | RENAULT | MASTER |
| 4419-G | DAIHATSU | TAFT |
| | FORD | COURIER |
| | MAZDA | 626 |
| | MAZDA | 929 |
| | MAZDA | B SERIES |
| 4420-G | AUDI | 60 - 75 |
| | AUDI | 80 (B1 SERIES) 72→78 |
| 4421-G | FORD | COURIER |
| | MAZDA | B SERIES |
| 4422-G | FORD | ESCORT - ORION |
| | ROVER | 100 SERIES |
| 4423-G | CITROËN | 2CV - DYANE - C8 - MEHARI |
| 4424-G | TALBOT | HORIZON |
| | TALBOT | SIMCA 1200 - 1100 |
| | TALBOT | TALBOT 150 |
| 4425-G | HONDA | LEGEND |
| | HONDA | PRELUDE |
| 4426-G | NISSAN - DATSUN | SENTRA |
| | NISSAN - DATSUN | SUNNY - PULSAR - 100NX (B13 SERIES) |
| | NISSAN - DATSUN | SUNNY - PULSAR - 100NX (B13 SERIES) |
| 4427-G | DAIHATSU | CHARADE |
| 4428-G | HONDA | ACCORD (III SERIES) 11-85→12-89 |
| | HONDA | CIVIC (IV SERIES) |
| | HONDA | CIVIC (V SERIES) |
| | HONDA | CIVIC (VI SERIES) |
| | HONDA | CONCERTO |
| | HONDA | CRX |
| | HONDA | INTEGRA |
| | HONDA | JAZZ |

| | | |
|---------------|------------|-----------------------------------|
| | HONDA | PRELUDE |
| | ROVER | 200 - 400 SERIES |
| | ROVER | 25 |
| | ROVER | 45 |
| | ROVER | MG |
| | ROVER | STREETWISE |
| 4429-G | TOYOTA | COROLLA (E10 SERIES) 06-91→11-99 |
| | TOYOTA | COROLLA (E11 SERIES) 04-97→06-02 |
| | TOYOTA | COROLLA (E9 - SERIES) 05-87→10-95 |
| 4430-G | CITROËN | XSARA |
| | CITROËN | ZX |
| | PEUGEOT | 306 |
| 4431-G | VOLVO | 740 - 760 - 780 |
| 4432-G | BMW | 3 SERIES (E36) 91→ |
| 4433-G | HONDA | ACCORD (II SERIES) 09-83→10-85 |
| 4434-G | SUBARU | IMPREZA |
| | SUBARU | LEGACY (I SERIES) 01-89→08-94 |
| | SUBARU | LEGACY (II SERIES) 02-94→03-99 |
| 4435-G | MITSUBISHI | ECLIPSE |
| | MITSUBISHI | GALANT (V SERIES) 11-92→10-96 |
| | MITSUBISHI | GALANT (VI SERIES) 09-96→10-04 |
| | MITSUBISHI | MONTERO |
| | MITSUBISHI | PAJERO |
| | MITSUBISHI | SPACE RUNNER |
| | MITSUBISHI | SPACE WAGON |
| 4436-G | LEXUS | ES |
| | TOYOTA | CAMRY |
| | TOYOTA | CARINA |
| | TOYOTA | CELICA |
| 4437-G | MAZDA | XEDOS |
| 4438-G | AUDI | 100 (C3 SERIES) 82→90 |
| | AUDI | 200 |
| | AUDI | 80 - 90 (B2 SERIES) 78→86 |
| | AUDI | 80 - 90 (B3 SERIES) 86→91 |
| 4439-G | TOYOTA | MR2 |
| 4440-G | VOLVO | 740 - 760 - 780 |
| | VOLVO | 940 - 960 |
| | VOLVO | S90 - V90 |
| 4441-G | MITSUBISHI | GALANT (II SERIES) 09-80→05-84 |
| | MITSUBISHI | LANCER (I SERIES A17) 09-79→02-83 |
| | MITSUBISHI | SAPORO |
| | TOYOTA | SUPRA |
| 4442-G | ALFA ROMEO | 145 - 146 |
| | ALFA ROMEO | 147 |
| | ALFA ROMEO | 156 |
| | ALFA ROMEO | 159 |
| | ALFA ROMEO | 166 |
| | ALFA ROMEO | BRERA |
| | ALFA ROMEO | GIULIETTA |
| | ALFA ROMEO | GT |
| | ALFA ROMEO | MITO |
| | ALFA ROMEO | SPIDER |
| | AUDI | A1 |
| | AUDI | A3 (8L SERIES) 96→03 |

MANUFACTURAS WRKYNSON

www.wrakynson.com

Page 515 of 822



REPAIR KITS & THEIR APPLICATIONS



| | | |
|---------------|------------|--------------------------------|
| 4442-G | AUDI | A3 (8P SERIES) 02→12 |
| | AUDI | A4 (B6 SERIES) 01→05 |
| | AUDI | A4 (B7 SERIES) 05→07 |
| | AUDI | A6 (C5 SERIES) 97→04 |
| | AUDI | ALLROAD |
| | AUDI | TT (8J SERIES) 07→14 |
| | AUDI | TT (8N SERIES) 98→06 |
| | CITROËN | BERLINGO |
| | CITROËN | C2 |
| | CITROËN | C3 |
| | CITROËN | C4 |
| | CITROËN | C5 |
| | CITROËN | C6 |
| | CITROËN | C8 |
| | CITROËN | DS3 |
| | CITROËN | XSARA |
| | FIAT | 500 |
| | FIAT | LINEA |
| | FIAT | ULYSSE |
| | FORD | FOCUS |
| | FORD | GALAXY |
| | FORD | KUGA |
| | FORD | MONDEO |
| | FORD | S-MAX |
| | HONDA | ACCORD (VI SERIES) 03-97→12-03 |
| | HONDA | ACCORD (VII SERIES) 02-03→ |
| | LANCIA | KAPPA |
| | LANCIA | LYBRA |
| | LANCIA | PHEDRA |
| | MITSUBISHI | CARISMA |
| | MITSUBISHI | SPACE STAR |
| | OPEL | ASTRA (G SERIES) |
| | OPEL | ASTRA (H SERIES) |
| | OPEL | COMBO |
| | OPEL | MERIVA |
| | OPEL | ZAFIRA |
| | PEUGEOT | 1007 |
| | PEUGEOT | 207 |
| | PEUGEOT | 3008 |
| | PEUGEOT | 307 |
| | PEUGEOT | 308 |
| | PEUGEOT | 407 |
| | PEUGEOT | 5008 |
| | PEUGEOT | 607 |
| | PEUGEOT | 807 |
| | PEUGEOT | PARTNER |
| | RENAULT | AVANTIME |
| | RENAULT | CLIO |
| | RENAULT | ESPACE |
| | RENAULT | GRAND SCENIC |
| | RENAULT | KANGOO |
| | RENAULT | MEGANE |
| | RENAULT | SCENIC |
| | SEAT | ALHAMBRA |
| | SEAT | ALTEA |
| | SEAT | IBIZA |
| | SEAT | LEON |

| | | |
|---------------|-----------------|---|
| | SEAT | TOLEDO |
| | SKODA | FABIA |
| | SKODA | OCTAVIA |
| | SKODA | RAPID |
| | SKODA | ROOMSTER |
| | SKODA | SUPERB |
| | SKODA | YETI |
| | TOYOTA | AVENSIS |
| | TOYOTA | COROLLA (E11 SERIES) 04-97→06-02 |
| | VOLKSWAGEN | BORA |
| | VOLKSWAGEN | EOS |
| | VOLKSWAGEN | GOLF (IV SERIES) 08-97→06-05 |
| | VOLKSWAGEN | GOLF (V SERIES) 10-03→02-09 |
| | VOLKSWAGEN | GOLF (VI SERIES) 10-08→11-13 |
| | VOLKSWAGEN | GOLF PLUS 01-05→ |
| | VOLKSWAGEN | JETTA (III SERIES) 08-05→10-10 |
| | VOLKSWAGEN | JETTA (IV SERIES) 04-10→ |
| | VOLKSWAGEN | NEW BEETLE |
| | VOLKSWAGEN | PASSAT (3B2 - 3B5) 08-96→12-01 |
| | VOLKSWAGEN | PASSAT (3B3 - 3B6) 11-00→05-05 |
| | VOLKSWAGEN | SHARAN |
| | VOLKSWAGEN | TRANSPORTER (IV SERIES) 07-90→04-03 |
| | VOLVO | S40 - V40 - V50 |
| 4443-G | MAZDA | 929 |
| 4444-G | ISUZU | IMPULSE |
| | TOYOTA | CELICA |
| | TOYOTA | SUPRA |
| 4445-G | HONDA | ACCORD (IV SERIES) 11-89→12-93 |
| | HONDA | ACCORD (V SERIES) 03-93→10-98 |
| | HONDA | LEGEND |
| | MAZDA | MX5 |
| 4446-G | TOYOTA | CARINA |
| 4447-G | NISSAN - DATSUN | 300ZX |
| 4448-G | HONDA | ACCORD (VI SERIES) 03-97→12-03 |
| | HONDA | LEGEND |
| 4449-G | MERCEDES | 124 - 200 - 500 (W124 SERIES) 85→06-93 |
| | MERCEDES | 190 (W201) 10-82→08-93 |
| | MERCEDES | CABRIOLET (A124) 9-91→6-93 |
| | MERCEDES | C-CLASS (W202) 3-93→5-00 |
| | MERCEDES | CLK (A208-A209) 3-98→ |
| | MERCEDES | CLK (C208-C209) 6-97→ |
| | MERCEDES | E-CLASS (C124-A124) 5-93→3-98 |
| | MERCEDES | E-CLASS (W124-S124) 6-93→6-96 |
| | MERCEDES | E-CLASS (W124-S124) 6-93→6-96 |
| | MERCEDES | E-CLASS (W210-S210-T210) 6-95→3-03 |
| | MERCEDES | KOMBI T MODEL (S124) 9-85→06-93 |
| | MERCEDES | SL (R129) 3-89→10-01 |
| 4450-G | NISSAN - DATSUN | 200SX |
| | NISSAN - DATSUN | 300ZX |
| | SUBARU | IMPREZA |
| | TOYOTA | CELICA |
| 4451-G | MERCEDES | S-CLASS (C140) 9-92→2-99 |
| | MERCEDES | S-CLASS (W140) 2-91→10-98 |
| | MERCEDES | SL (R129) 3-89→10-01 |

MANUFACTURAS WRKYNSON

www.wrakynson.com

Page 516 of 822



REPAIR KITS & THEIR APPLICATIONS



| | | |
|---------------|-----------------|-------------------------------------|
| 4452-G | BMW | 3 SERIES (E36) 91→ |
| | BMW | 3 SERIES (E46) 9-98→ |
| | BMW | 5 SERIES (E34) 88→ |
| | BMW | 7 SERIES (E32) 87→ |
| | BMW | 8 SERIES (E31) 90→ |
| | BMW | Z3 |
| | BMW | Z4 (E85) |
| | BMW | Z4 (E86) |
| | ROVER | 75 SERIES |
| | ROVER | MG |
| | SAAB | 9.5 |
| 4453-G | TOYOTA | MR2 |
| 4454-G | MINISUBISHI | ECLIPSE |
| | MINISUBISHI | GALANT (IV SERIES) 11-87→03-93 |
| 4455-G | ISUZU | TROOPER |
| 4456-G | JAGUAR | E-TYPE |
| | JAGUAR | XJ - XJS |
| | MERCEDES | CLK (A208-A209) 3-98→ |
| | MERCEDES | CLK (C208-C209) 6-97→ |
| | MERCEDES | E-CLASS (W210-S210-T210) 6-95→3-03 |
| | MERCEDES | SL (R129) 3-89→10-01 |
| | MERCEDES | SLK (R170) 4-96→4-04 |
| 4457-G | TOYOTA | CAMRY |
| | TOYOTA | CELICA |
| 4458-G | TOYOTA | F-MODEL |
| | TOYOTA | LITEACE |
| 4459-G | MAZDA | RX8 |
| | NISSAN - DATSUN | 280ZX |
| | NISSAN - DATSUN | 300ZX |
| | NISSAN - DATSUN | FAIRLADY |
| | NISSAN - DATSUN | SILVIA |
| 4460-G | MAZDA | B SERIES |
| | MAZDA | XEDOS |
| 4461-G | MERCEDES | G-CLASS (W460-461-463) 79→ |
| | MERCEDES | T1 (BM601 - BM602) 5-77→ |
| | MERCEDES | T1-TN (BM611) 6-81→ |
| | MERCEDES | T2-LN1 (BM667-668-669-670) 3-86→ |
| 4462-G | TOYOTA | F-MODEL |
| | TOYOTA | PREVIA |
| 4463-G | TOYOTA | 4-RUNNER |
| | TOYOTA | 4-RUNNER |
| | TOYOTA | FJ CRUISER |
| | TOYOTA | LAND CRUISER |
| | TOYOTA | LAND CRUISER |
| 4464-G | LAND ROVER | DEFENDER |
| 4465-G | MERCEDES | E-CLASS (W210-S210-T210) 6-95→3-03 |
| | MERCEDES | S-CLASS (W140) 2-91→10-98 |
| 4466-G | NISSAN - DATSUN | SUNNY - PULSAR - 100NX (B13 SERIES) |
| 4467-G | SUZUKI | SWIFT |
| 4468-G | MINISUBISHI | MONTERO |
| | MINISUBISHI | PAJERO |
| | TOYOTA | LAND CRUISER |
| 4469-G | PEUGEOT | 205 |
| 4470-G | HONDA | CIVIC (IV SERIES) |
| | HONDA | CIVIC (V SERIES) |

| | | |
|---------------|-----------------|---|
| | HONDA | JAZZ |
| 4471-G | HONDA | ACCORD (II SERIES) 09-83→10-85 |
| 4472-G | DAIHATSU | CHARADE |
| 4473-G | ROVER | ALLEGRO |
| 4474-G | HONDA | CIVIC (III SERIES) |
| | HONDA | PRELUDE |
| | MINISUBISHI | GALANT (II SERIES) 09-80→05-84 |
| | MINISUBISHI | LANCER (I SERIES A17) 09-79→02-83 |
| | MINISUBISHI | SAPORO |
| 4475-G | NISSAN - DATSUN | CHERRY |
| | NISSAN - DATSUN | PRAIRIE |
| | NISSAN - DATSUN | SENTRA |
| | NISSAN - DATSUN | STANZA |
| | NISSAN - DATSUN | SUNNY - PULSAR - 100NX (B13 SERIES) |
| | NISSAN - DATSUN | VANETTE |
| 4476-G | TOYOTA | COROLLA (E8 SERIES) 05-83→06-89 |
| 4478-G | MINISUBISHI | COLT |
| | MINISUBISHI | LANCER (III SERIES C1-C3) 11-83→06-92 |
| 4479-G | HONDA | CIVIC (V SERIES) |
| | HONDA | CIVIC (VI SERIES) |
| | HONDA | JAZZ |
| | HONDA | LOGO |
| | MINISUBISHI | COLT |
| 4480-G | MINISUBISHI | COLT |
| | MINISUBISHI | LANCER (III SERIES C1-C3) 11-83→06-92 |
| 4481-G | HONDA | CIVIC (VI SERIES) |
| | HONDA | CIVIC (VII SERIES) |
| | HONDA | CONCERTO |
| | MINISUBISHI | CARISMA |
| | MINISUBISHI | COLT |
| | MINISUBISHI | SPACE STAR |
| | ROVER | 200 - 400 SERIES |
| | ROVER | 25 |
| | ROVER | 45 |
| | ROVER | MG |
| | ROVER | STREETWISE |
| | SMART | FORFOUR |
| | VOLVO | S40 - V40 - V50 |
| 4482-G | BMW | 1500 - 2000CS (115 - 116 - 118 - 121) 10-62→11-72 |
| | BMW | 1502 - 2002TII (02) (E10 - E6) 66→77 |
| | OPEL | ADMIRAL |
| | OPEL | COMMODORE |
| | OPEL | REKORD |
| | OPEL | SENATOR - MONZA |
| 4483-G | ROVER | MG |
| | ROVER | TRIUMPH |
| 4484-G | MERCEDES | A-CLASS (W168) 07-97→08-04 |
| | SEAT | IBIZA |
| | SKODA | FABIA |
| | SKODA | ROOMSTER |
| | TOYOTA | COROLLA (E11 SERIES) 04-97→06-02 |
| | VOLKSWAGEN | LUPO |
| | VOLKSWAGEN | POLO (IV SERIES) 10-01→11-09 |

MANUFACTURAS WRAKYNSON

www.wrakynson.com

Page 517 of 822



REPAIR KITS & THEIR APPLICATIONS



| | | |
|---------------|--|---|
| 4485-G | FORD ROVER | CORTINA MG |
| 4486-G | MAZDA | 929 |
| 4487-G | HONDA HONDA HONDA HONDA | ACCORD (III SERIES) 11-85→12-89 CRX INTEGRA PRELUDE |
| 4488-G | MAZDA MAZDA MAZDA | 323 (BA SERIE) 05-94→01-01 323 (BJ SERIES) 05-98→05-04 MX5 |
| 4489-G | TOYOTA TOYOTA TOYOTA | CAMRY CARINA CELICA |
| 4490-G | MAZDA MITSUBISHI MITSUBISHI MITSUBISHI MITSUBISHI TOYOTA | 323 (BA SERIE) 05-94→01-01 GALANT (II SERIES) 09-80→05-84 LANCER (II SERIES A17) 03-83→09-86 SAPORO STARION CRESSIDA |
| 4491-G | SUBARU | LEGACY (I SERIES) 01-89→08-94 |
| 4492-G | SUBARU SUBARU SUBARU | IMPREZA LEGACY (I SERIES) 01-89→08-94 LEGACY (II SERIES) 02-94→03-99 |
| 4493-G | MAZDA | 323 (BJ SERIES) 05-98→05-04 |
| 4494-G | MERCEDES | T1 (BM601 - BM602) 5-77→ |
| 4496-G | MITSUBISHI MITSUBISHI MITSUBISHI MITSUBISHI | GALANT (II SERIES) 09-80→05-84 LANCER (I SERIES A17) 09-79→02-83 SAPORO STARION |
| 4497-G | MITSUBISHI MITSUBISHI MITSUBISHI | MONTERO PAJERO SAPORO |
| 4498-G | MERCEDES MERCEDES RENAULT | T2-LN1 (BM667-668-669-670) 3-86→ VARIO 9-96→ R.V.I (RENAULT TRUCKS) |
| 4499-G | FORD VOLVO TRUCKS | CARGO F SERIES |
| 4500-G | FORD IVECO VOLVO TRUCKS | CARGO EUROCARGO F SERIES |
| 4501-G | MITSUBISHI MITSUBISHI MITSUBISHI MITSUBISHI MITSUBISHI MITSUBISHI | COLT ECLIPSE GALANT (IV SERIES) 11-87→03-93 GALANT (V SERIES) 11-92→10-96 LANCER (V SERIES CB-CD) 06-92→09-00 SPACE RUNNER SPACE WAGON |
| 4502-G | CHEVROLET DAEWOO HONDA HONDA HONDA HONDA HONDA SUZUKI | NUBIRA NUBIRA CIVIC (V SERIES) CIVIC (VII SERIES) CIVIC (VIII SERIES) FR-V STREAM LIANA |

| | | |
|---------------|---|--|
| 4503-G | DAIHATSU MITSUBISHI MITSUBISHI MITSUBISHI MITSUBISHI | TERIOS COLT GALANT (IV SERIES) 11-87→03-93 LANCER (III SERIES C1-C3) 11-83→06-92 LANCER (IV SERIES C6-C7) 04-88→05-94 LANCER (V SERIES CB-CD) 06-92→09-00 |
| 4504-G | VOLVO TRUCKS | F SERIES |
| 4505-G | TOYOTA TOYOTA | LITEACE PREVIA |
| 4506-G | FORD KIA KIA MAZDA MAZDA | ECONOVAN BESTA K2500 - K2700 E1 - E2 (VAN - WAGON - PICK-UP) E2 - E3 - T (TRUCKS) |
| 4507-G | MERCEDES | T2-LN1 (BM667-668-669-670) 3-86→ |
| 4508-G | MAZDA SUBARU | 929 L-SERIES 1300 - 1600 - 1800 |
| 4509-G | SUBARU | L-SERIES 1300 - 1600 - 1800 |
| 4510-G | BMW BMW BMW BMW BMW FORD MAZDA MERCEDES MERCEDES MERCEDES VOLVO | 1 SERIES (E81 - E87) 09-04→ 1 SERIES CABRIO (E88) 03-07→ 1 SERIES COUPE (E82) 09-07→ 3 SERIES (E46) 9-98→ 5 SERIES (E39) 96→ MAVERICK TRIBUTE C-CLASS (W204-S204) 1-07→ CLC-CLASS (203) 5-08→ M-CLASS (W164) 7-05→ S70 - V70 - C70 |
| 4511-G | NISSAN - DATSUN NISSAN - DATSUN | 300ZX FAIRLADY |
| 4512-G | ISUZU ISUZU | IMPULSE PIAZZA |
| 4513-G | AUDI | 50 |
| 4514-G | MAZDA | 929 |
| 4515-G | TOYOTA | RAV-4 |
| 4517-G | OPEL OPEL | ASTRA (G SERIES) ZAFIRA |
| 4518-G | VOLKSWAGEN | GOLF (IV SERIES) 08-97→06-05 |
| 4519-G | OPEL OPEL | ASTRA (G SERIES) ZAFIRA |
| 4520-G | AUDI AUDI AUDI AUDI PORSCHE VOLKSWAGEN VOLKSWAGEN | A4 (B5 SERIES) 94→01 A6 (C5 SERIES) 97→04 A8 (4D SERIES) 94→03 ALLROAD BOXTER PASSAT (3B2 - 3B5) 08-96→12-01 PASSAT (3B3 - 3B6) 11-00→05-05 |
| 4521-G | SEAT VOLKSWAGEN VOLKSWAGEN VOLKSWAGEN | IBIZA GOLF (IV SERIES) 08-97→06-05 POLO CLASSIC VENTO |
| 4522-G | TOYOTA | STARLET |
| 4523-G | VOLKSWAGEN VOLKSWAGEN | GOLF (III SERIES) 08-91→07-98 POLO CLASSIC |



REPAIR KITS & THEIR APPLICATIONS



| | | |
|---------------|-----------------|---|
| 4523-G | VOLKSWAGEN | VENTO |
| 4524-G | TOYOTA | RAV-4 |
| 4525-G | FORD | CARGO |
| | VOLVO TRUCKS | F SERIES |
| 4526-G | KIA | SPORTAGE |
| 4527-G | FORD | TRADER |
| | MAZDA | E2 - E3 - T (TRUCKS) |
| 4528-G | MAZDA | MX5 |
| 4529-G | IVECO | DAILY (I SERIES) 06-78→12-89 |
| 4530-G | MAZDA | E2 - E3 - T (TRUCKS) |
| 4531-G | KIA | SPORTAGE |
| 4532-G | MERCEDES | T2-L (BM309-310) 1-68→12-88 |
| 4533-G | MAZDA | 626 |
| | MAZDA | DEMIO |
| 4534-G | HONDA | PRELUDE |
| 4535-G | ALFA ROMEO | 1.750 - 2.000 |
| | ALFA ROMEO | SPIDER |
| | MAN | 400 - 2.000 SERIES |
| | MERCEDES | L206DG - L207 (BM605-606-607-608) |
| 4536-G | ISUZU | GEMINI |
| 4537-G | TOYOTA | COROLLA (E8 SERIES) 05-83→06-89 |
| 4538-G | TOYOTA | LAND CRUISER |
| 4539-G | MINIBUSHI | L200 |
| | NISSAN - DATSUN | C120 |
| | NISSAN - DATSUN | SKYLINE |
| 4540-G | TOYOTA | AVENSIS |
| | TOYOTA | RAV-4 |
| | TOYOTA | YARIS |
| 4541-G | TOYOTA | 4-RUNNER |
| | TOYOTA | YARIS |
| 4542-G | MERCEDES | G-CLASS (W460-461-463) 79→ |
| | MERCEDES | T1 (BM601 - BM602) 5-77→ |
| 4543-G | TOYOTA | CAMRY |
| 4544-G | TOYOTA | AVENSIS |
| | TOYOTA | CAMRY |
| 4545-G | SUBARU | LEGACY (I SERIES) 01-89→08-94 |
| | SUBARU | LEGACY (II SERIES) 02-94→03-99 |
| 4546-G | MERCEDES | SPRINTER (BM901-902-903-904-905) 95→06 |
| | VOLKSWAGEN | LT SERIES |
| 4547-G | SUZUKI | SWIFT |
| | SUZUKI | SWIFT |
| 4548-G | LEXUS | ES |
| | TOYOTA | CAMRY |
| 4549-G | HONDA | ACCORD (II SERIES) 09-83→10-85 |
| | HONDA | CIVIC (IV SERIES) |
| 4550-G | HONDA | CIVIC (II SERIES) |
| 4551-G | MINIBUSHI | CANTER |
| | MINIBUSHI | ROSA |
| 4552-G | VOLKSWAGEN | TRANSPORTER (IV SERIES) 07-90→04-03 |
| 4553-G | ISUZU | ELF |
| 4554-G | NISSAN - DATSUN | F 10 |
| | NISSAN - DATSUN | PICK-UP |
| 4555-G | SUBARU | LEONE |
| | SUBARU | L-SERIES 1300 - 1600 - 1800 |
| 4556-G | SUBARU | LEONE |

| | | |
|---------------|------------|---|
| | SUBARU | L-SERIES 1300 - 1600 - 1800 |
| 4557-G | SEAT | TOLEDO |
| | VOLKSWAGEN | GOLF (I SERIES) 04-74→12-85 |
| | VOLKSWAGEN | GOLF (II SERIES) 08-83→12-92 |
| | VOLKSWAGEN | GOLF (III SERIES) 08-91→07-98 |
| | VOLKSWAGEN | JETTA (I SERIES) 08-78→02-84 |
| | VOLKSWAGEN | JETTA (II SERIES) 08-83→12-92 |
| | VOLKSWAGEN | PASSAT (3A2 - 35I - 3A5 - 35I) 02-88→12-97 |
| | VOLKSWAGEN | TRANSPORTER (IV SERIES) 07-90→04-03 |
| | VOLKSWAGEN | VENTO |
| 4558-G | MINIBUSHI | DELICA |
| 4559-G | KIA | RETONA |
| | KIA | SPORTAGE |
| 4560-G | FORD | FAIRLANE |
| | FORD | FALCON |
| | FORD | LANDAU |
| | FORD | LTD |
| 4561-G | BMW | 5 SERIES (E39) 96→ |
| | BMW | 7 SERIES (E38) 94→ |
| | BMW | X5 (E53) 01→ |
| 4562-G | TOYOTA | AVENSIS |
| | TOYOTA | PREVIA |
| 4563-G | TOYOTA | MR2 |
| | TOYOTA | YARIS |
| 4564-G | CITROËN | XANTIA |
| 4565-G | ALFA ROMEO | 159 |
| | ALFA ROMEO | BRERA |
| | AUDI | A4 (B6 SERIES) 01→05 |
| | AUDI | A4 (B7 SERIES) 05→07 |
| | AUDI | A6 (C5 SERIES) 97→04 |
| | AUDI | A6 (C6 SERIES) 04→11 |
| | AUDI | A8 (4E SERIES) 03→10 |
| | BMW | 5 SERIES (E39) 96→ |
| | BMW | 5 SERIES (E60) 07-03→ |
| | BMW | 5 SERIES (E61) 6-04→ |
| | BMW | 5 SERIES (F10 - F11 - F18) 03-10→ |
| | BMW | 6 SERIES (E63 - E64) 1-04→ |
| | BMW | 7 SERIES (E65 - E66 - E67) 11-01→ |
| | BMW | X5 (E70) 02-07→ |
| | BMW | X6 (E71 - E72) |
| | CITROËN | BERLINGO |
| | CITROËN | C4 |
| | CITROËN | C5 |
| | CITROËN | C6 |
| | CITROËN | DS4 |
| | CITROËN | DS5 |
| | FORD | GALAXY |
| | FORD | MONDEO |
| | FORD | S-MAX |
| | JAGUAR | XF |
| | LAND ROVER | FREELANDER |
| | OPEL | SIGNUM |
| | OPEL | SIGNUM |
| | OPEL | VECTRA |
| | OPEL | VECTRA |
| | PEUGEOT | 407 |

MANUFACTURAS WRAKYNSON

www.wrakynson.com

Page 519 of 822



REPAIR KITS & THEIR APPLICATIONS



| | | |
|---------------|-----------------|--|
| 4565-G | PEUGEOT | 5008 |
| | PEUGEOT | 508 |
| | PEUGEOT | PARTNER |
| | RENAULT | ESPACE |
| | RENAULT | LAGUNA |
| | RENAULT | VEL SATIS |
| | SAAB | 9.3 |
| | SAAB | 9.3 |
| | SEAT | EXEO |
| | VOLVO | S60 - S80 |
| | VOLVO | S70 - V70 - C70 |
| | VOLVO | V60 |
| | VOLVO | XC70 |
| | VOLVO | XC90 |
| 4566-G | DAF | F45 - F600 - F800 - F1000 →95 |
| 4567-G | TOYOTA | YARIS |
| 4568-G | TOYOTA | YARIS |
| 4569-G | SUBARU | LEONE |
| | SUBARU | L-SERIES 1300 - 1600 - 1800 |
| 4570-G | ALFA ROMEO | 159 |
| | ALFA ROMEO | 166 |
| | ALFA ROMEO | BRERA |
| | FIAT | CROMA |
| | LANCIA | KAPPA |
| | OPEL | ASTRA (H SERIES) |
| | OPEL | SIGNUM |
| | OPEL | VECTRA |
| | SAAB | 9.3 |
| 4571-G | NISSAN - DATSUN | EBRO L-60 - L-80 |
| | NISSAN - DATSUN | L60.09 - L80.09 - 14 - M110 - M125.14 |
| 4572-G | DAIHATSU | CHARADE |
| 4573-G | MERCEDES | SPRINTER (BM901-902-903-904-905) 95→06 |
| | VOLKSWAGEN | LT SERIES |
| 4574-G | OPEL | ASCONA - MANTA |
| | OPEL | COMBO |
| | OPEL | CORSA (A SERIES) |
| | OPEL | KADETT |
| | OPEL | REKORD |
| | OPEL | SENATOR - MONZA |
| | OPEL | VECTRA |
| 4575-G | mitsubishi | L200 |
| | mitsubishi | L300 |
| | mitsubishi | MONTERO |
| | mitsubishi | PAJERO |
| 4576-G | TOYOTA | RAV-4 |
| | TOYOTA | YARIS |
| 4577-G | TOYOTA | STARLET |
| 4578-G | NISSAN - DATSUN | CEDRIC |
| 4579-G | HONDA | CIVIC (IV SERIES) |
| | HONDA | CRX |
| | HONDA | PRELUDE |
| 4580-G | ISUZU | PIAZZA |
| 4581-G | SUBARU | LEGACY (I SERIES) 01-89→08-94 |
| | SUBARU | LEGACY (II SERIES) 02-94→03-99 |
| 4582-G | SUBARU | IMPREZA |

| | | |
|---------------|-----------------|--|
| 4583-G | MITSUBISHI | L300 |
| 4584-G | TOYOTA | 4-RUNNER |
| 4585-G | DAIHATSU | 55 WIDE CAB |
| | DAIHATSU | HIJET |
| 4587-G | MAZDA | 1.3 - 1.6 - 1.8 |
| | MAZDA | FAMILIA |
| | MAZDA | LASER |
| 4588-G | ALFA ROMEO | 145 - 146 |
| 4589-G | CHRYSLER | STRATUS |
| 4590-G | MITSUBISHI | COLT |
| | MITSUBISHI | LANCER (IV SERIES C6-C7) 04-88→05-94 |
| 4591-G | PEUGEOT | J7 - J9 |
| 4592-G | VOLKSWAGEN | 1.200 - 1.300 - 1.500 - 1.600 BEETLE |
| 4593-G | TALBOT | 1510 |
| | TALBOT | HORIZON |
| | TALBOT | SIMCA 1200 - 1100 |
| | TALBOT | TALBOT 150 |
| 4594-G | TOYOTA | CORONA |
| 4595-G | DAIHATSU | CHARMANT |
| | HONDA | CIVIC (II SERIES) |
| | HYUNDAI | PONY - EXCEL |
| | MITSUBISHI | CELESTE |
| | MITSUBISHI | COLT |
| | MITSUBISHI | GALANT (I SERIES) 01-77→08-80 |
| | MITSUBISHI | LANCER (I SERIES A17) 09-79→02-83 |
| | TOYOTA | COROLLA (E7 SERIES) 09-79→08-87 |
| 4596-G | TOYOTA | SUPRA |
| 4597-G | HONDA | ACCORD (VI SERIES) 03-97→12-03 |
| 4598-G | NISSAN - DATSUN | MAXIMA |
| 4599-G | MAZDA | B SERIES |
| 4600-G | FORD | CORTINA |
| | FORD | ESCORT - ORION |
| 4602-G | MITSUBISHI | CANTER |
| 4603-G | MITSUBISHI | L300 |
| 4604-G | OPEL | REKORD |
| 4605-G | MITSUBISHI | 3.0GT |
| | TOYOTA | CELICA |
| 4606-G | TOYOTA | CELICA |
| | TOYOTA | COROLLA (E12 SERIES) 03-01→05-04 |
| | TOYOTA | COROLLA VERSO (E12 SERIES) 09-01→01-04 |
| | TOYOTA | PRIUS |
| 4607-G | FORD | LASER |
| | MAZDA | 323 (BJ SERIES) 05-98→05-04 |
| 4608-G | ISUZU | FORWARD |
| | ISUZU | TDX |
| 4609-G | ISUZU | JBR TRUCK |
| | ISUZU | JCR TRUCK |
| | ISUZU | TD TRUCK |
| | ISUZU | TDX |
| 4610-G | DAIHATSU | CHARADE |
| | TOYOTA | 1000 SEDAN |
| | TOYOTA | STARLET |
| 4611-G | NISSAN - DATSUN | PICK-UP |
| 4612-G | SUBARU | IMPREZA |

MANUFACTURAS WRKYNSON

www.wrakynson.com

Page 520 of 822



REPAIR KITS & THEIR APPLICATIONS



| | | |
|---------------|-----------------|-------------------------------------|
| 4612-G | SUBARU | LEGACY (II SERIES) 02-94→03-99 |
| | SUBARU | LEGACY (III SERIES) 10-98→08-03 |
| 4613-G | MAZDA | 323 (BD SERIE) 06-80→10-89 |
| | MAZDA | 626 |
| 4614-G | FORD | GRANADA - CONSUL |
| | JAGUAR | XJ - XJS |
| | LAND ROVER | 88 - 109 |
| 4615-G | SKODA | S100 - 105 - 110 - 120 - 130 - 136 |
| 4616-G | MITSUBISHI | GALANT (I SERIES) 01-77→08-80 |
| 4617-G | TOYOTA | CAMRY |
| | TOYOTA | CORONA |
| 4618-G | TOYOTA | SUPRA |
| 4619-G | MITSUBISHI | 3.0GT |
| 4620-G | LEXUS | GS |
| | LEXUS | IS |
| | LEXUS | LS |
| | TOYOTA | SUPRA |
| 4621-G | BMW | 7 SERIES (E38) 94→ |
| 4622-G | NISSAN - DATSUN | 200SX |
| 4623-G | BMW | 1 SERIES (E81 - E87) 09-04→ |
| | BMW | 1 SERIES CABRIO (E88) 03-07→ |
| | BMW | 1 SERIES COUPE (E82) 09-07→ |
| | BMW | 3 SERIES (E46) 9-98→ |
| | BMW | 3 SERIES (E90) 05→ |
| | BMW | 3 SERIES (E92) 6-06→ |
| | BMW | 3 SERIES (E93) 8-06→ |
| | BMW | 3 TOURING (E91) 05→ |
| | BMW | 5 SERIES (E39) 96→ |
| | BMW | 5 SERIES (E60) 07-03→ |
| | BMW | 5 SERIES (E61) 6-04→ |
| | BMW | 6 SERIES (E63 - E64) 1-04→ |
| | BMW | X1 (E84) 03-09→ |
| | BMW | X3 (E83) |
| | MERCEDES | CLS (C219) 10-04→ |
| | MERCEDES | E-CLASS (W211-S211) 3-02→ |
| | MERCEDES | E-CLASS (W212-S212) 01-09→ |
| | MERCEDES | G-CLASS (W460-461-463) 79→ |
| | MERCEDES | GL-CLASS (X164) 9-06→ |
| | MERCEDES | GLK - CLASS (X204) 6-08→ |
| | MERCEDES | M-CLASS (W164) 7-05→ |
| | MERCEDES | R-CLASS (W251-V251) 1-06→ |
| | MERCEDES | S-CLASS (C215-C216) 3-99→ |
| | MERCEDES | S-CLASS (W220) 10-98→08-05 |
| | MERCEDES | S-CLASS (W221) 10-05→ |
| | VOLVO | S60 - S80 |
| | VOLVO | S70 - V70 - C70 |
| | VOLVO | XC70 |
| 4624-G | MAZDA | 323 (BJ SERIES) 05-98→05-04 |
| | MAZDA | 626 |
| | MAZDA | PREMACY |
| | TOYOTA | COROLLA (E11 SERIES) 04-97→06-02 |
| 4625-G | MITSUBISHI | GALANT (III SERIES) 10-83→04-90 |
| 4626-G | NISSAN - DATSUN | LAUREL |
| 4627-G | TOYOTA | COROLLA (E8 SERIES) 05-83→06-89 |
| 4628-G | MAZDA | 626 |

| | | |
|---------------|-----------------|--------------------------------|
| 4629-G | SUZUKI | BALENO |
| 4630-G | SUZUKI | BALENO |
| 4631-G | TOYOTA | AVENSIS |
| | TOYOTA | CELICA |
| 4632-G | ALFA ROMEO | MITO |
| | CITROËN | BERLINGO |
| | CITROËN | C2 |
| | CITROËN | C3 |
| | CITROËN | C4 |
| | CITROËN | DS3 |
| | CITROËN | NEMO |
| | CITROËN | XSARA |
| | FIAT | 500 |
| | FIAT | BRAVO - BRAVA |
| | FIAT | DOBLO |
| | FIAT | FIORINO |
| | FIAT | GRANDE PUNTO |
| | FIAT | IDEA |
| | FIAT | LINEA |
| | FIAT | PANDA - MARBELLA |
| | FIAT | PUNTO (199 SERIES) |
| | FIAT | QUBO |
| | FIAT | STILO |
| | LANCIA | YPSILON |
| | NISSAN - DATSUN | KUBISTAR |
| | OPEL | CORSA (D SERIES) |
| | PEUGEOT | 1007 |
| | PEUGEOT | 206 |
| | PEUGEOT | 206 |
| | PEUGEOT | 207 |
| | PEUGEOT | 301 |
| | PEUGEOT | 307 |
| | PEUGEOT | BIPPER |
| | PEUGEOT | PARTNER |
| | RENAULT | GRAND SCENIC |
| | RENAULT | KANGOO |
| | RENAULT | KANGOO |
| | RENAULT | MEGANE |
| | RENAULT | SCENIC |
| 4634-G | CITROËN | XANTIA |
| 4635-G | SUZUKI | WAGON |
| 4636-G | OPEL | ASTRA (G SERIES) |
| | OPEL | ZAFIRA |
| 4637-G | IVECO | DAILY (II SERIES) 01-90→05-99 |
| | IVECO | DAILY (III SERIES) 06-99→05-06 |
| 4638-G | SUZUKI | VITARA - GRAND VITARA |
| 4639-G | MAZDA | MX5 |
| 4640-G | VOLVO | 740 - 760 - 780 |
| 4641-G | TOYOTA | MR2 |
| 4642-G | FORD | EXPLORER |
| 4643-G | ALFA ROMEO | MITO |
| | FIAT | BRAVO - BRAVA |
| | FIAT | STILO |
| | FORD | MONDEO |
| | JAGUAR | X-TYPE |
| | OPEL | CORSA (D SERIES) |
| | PEUGEOT | 3008 |



REPAIR KITS & THEIR APPLICATIONS



| | | |
|---------------|---|--|
| 4643-G | PEUGEOT TOYOTA TOYOTA TOYOTA TOYOTA TOYOTA TOYOTA | 308 AURIS AVENSIS COROLLA (E13 SERIES) 03-04→04-09 COROLLA (E15 SERIES) 11-06→ COROLLA VERSO (R10 SERIES) 02-04→ VERSO |
| 4644-G | PEUGEOT RENAULT RENAULT | 605 ALPINE CLIO |
| 4645-G | CITROËN CITROËN FIAT OPEL PEUGEOT PEUGEOT PEUGEOT SUBARU SUZUKI TOYOTA | C1 JUMPER DUCATO AGILA 107 206 BOXER JUSTY IGNIS AYGO |
| 4646-G | MERCEDES MERCEDES MERCEDES MERCEDES MERCEDES MERCEDES OPEL | C-CLASS (S202-S203) 6-96→ C-CLASS (W203) 5-00→ C-CLASS COUPE (CL203) 03-01→ CLK (C208-C209) 6-97→ S-CLASS (C215-C216) 3-99→ S-CLASS (W220) 10-98→08-05 OMEGA |
| 4647-G | MERCEDES MERCEDES MERCEDES MERCEDES MERCEDES | CLK (C208-C209) 6-97→ E-CLASS (W210-S210-T210) 6-95→3-03 S-CLASS (C140) 9-92→2-99 S-CLASS (W140) 2-91→10-98 SL (R129) 3-89→10-01 |
| 4648-G | RENAULT | LAGUNA |
| 4649-G | AUDI AUDI AUDI AUDI AUDI AUDI | 100 (C1 SERIES) 68→76 80 - 90 (B2 SERIES) 78→86 80 - 90 (B3 SERIES) 86→91 80 (B1 SERIES) 72→78 80 (B4 SERIES) 91→95 COUPE |
| 4650-G | MERCEDES MERCEDES MERCEDES | NG 8-73→9-96 O 303 - 307 (SERIES 4) - 73→9-92 SK 7-87→9-96 |
| 4651-G | MAZDA MAZDA | FAMILIA LASER |
| 4653-G | RENAULT RENAULT | R4 R5 - R6 |
| 4654-G | HOLDEN TOYOTA | APOLLO CAMRY |
| 4655-G | FORD | ESCORT - ORION |
| 4656-G | FORD FORD | TRANSIT (III SERIES) 86→00 TRANSIT TOURNEO |
| 4657-G | FIAT | 126 - 127 - 128 |
| 4658-G | TALBOT TALBOT | HORIZON TALBOT 150 |
| 4659-G | MITSUBISHI | CENTURA |

| | | |
|---------------|--|--|
| | PEUGEOT PEUGEOT | 104 404 |
| 4660-G | TOYOTA | YARIS |
| 4661-G | CITROËN FIAT FIAT FORD FORD JAGUAR RENAULT | C4 MULTIPLA STILO MONDEO MONDEO X-TYPE KANGOO |
| 4662-G | NISSAN - DATSUN OPEL RENAULT | INTERSTART MOVANO MASTER |
| 4663-G | CITROËN FIAT PEUGEOT | JUMPER DUCATO BOXER |
| 4664-G | NISSAN - DATSUN OPEL RENAULT | INTERSTART MOVANO MASTER |
| 4665-G | CITROËN FIAT PEUGEOT | JUMPER DUCATO BOXER |
| 4666-G | CITROËN CITROËN FIAT FIAT PEUGEOT PEUGEOT | JUMPER JUMPER DUCATO DUCATO BOXER BOXER |
| 4667-G | OPEL SUZUKI | AGILA WAGON |
| 4668-G | CITROËN | C5 |
| 4669-G | CITROËN | C5 |
| 4670-G | ALFA ROMEO SAAB SAAB SAAB | GT 90 900 99 |
| 4671-G | OPEL OPEL OPEL | ASTRA (G SERIES) ASTRA (H SERIES) ZAFIRA |
| 4672-G | MERCEDES | E-CLASS (W210-S210-T210) 6-95→3-03 |
| 4673-G | MERCEDES MERCEDES MERCEDES MERCEDES | 123 - 200 - 300 (W123 SERIES) 76→86 S-CLASS (W126) 10-79→6-91 S-CLASS COUPE (C126) 10-81→6-91 SL (R107) 5-71→9-89 |
| 4674-G | MERCEDES MERCEDES MERCEDES MERCEDES MERCEDES | 190 (W201) 10-82→08-93 S-CLASS (W126) 10-79→6-91 S-CLASS (W140) 2-91→10-98 SL (R107) 5-71→9-89 SL (R129) 3-89→10-01 |
| 4675-G | VOLVO VOLVO | 850 S70 - V70 - C70 |
| 4676-G | OPEL OPEL | OMEGA SENATOR - MONZA |
| 4677-G | SEAT VOLKSWAGEN | AROSA GOLF (III SERIES) 08-91→07-98 |

MANUFACTURAS WRACKYNSON

www.wrakynson.com

Page 522 of 822



REPAIR KITS & THEIR APPLICATIONS



| | | |
|---------------|--|---|
| 4677-G | VOLKSWAGEN VOLKSWAGEN VOLKSWAGEN | LUPO POLO (III SERIES) 09-94→10-01 VENTO |
| 4678-G | CITROËN FIAT FIAT LANCIA PEUGEOT | C8 STILO ULYSSE PHEDRA 807 |
| 4679-G | HONDA | LEGEND |
| 4680-G | MERCEDES MERCEDES | T1 (BM601 - BM602) 5-77→ T2-LN1 (BM667-668-669-670) 3-86→ |
| 4681-G | CITROËN CITROËN FIAT FIAT FORD LANCIA PEUGEOT PEUGEOT | BERLINGO XSARA IDEA STILO MONDEO MUSA 306 PARTNER |
| 4682-G | OPEL OPEL | ASTRA (G SERIES) ZAFIRA |
| 4683-G | AUDI | 100 (C3 SERIES) 82→90 |
| 4684-G | RENAULT | LAGUNA |
| 4685-G | OPEL RENAULT RENAULT | MOVANO MASTER TRAFIC |
| 4686-G | FORD SEAT VOLKSWAGEN | GALAXY ALHAMBRA SHARAN |
| 4687-G | MERCEDES MERCEDES | G-CLASS (W460-461-463) 79→ T1 (BM601 - BM602) 5-77→ |
| 4688-G | MERCEDES | T2-L (BM309-310) 1-68→12-88 |
| 4689-G | RENAULT | TRAFIC |
| 4690-G | IVECO | DAILY (II SERIES) 01-90→05-99 |
| 4691-G | AUDI AUDI AUDI | 100 (C3 SERIES) 82→90 100 (C4 SERIES) 90→95 200 |
| 4692-G | BMW BMW | 5 SERIES (E34) 88→ 7 SERIES (E32) 87→ |
| 4693-G | HYUNDAI HYUNDAI HYUNDAI HYUNDAI HYUNDAI HYUNDAI KIA KIA KIA KIA MITSUBISHI | GETZ MATRIX SANTAMO SONATA TUCSON XG JOICE MAGENTIS OPIRUS SPORTAGE SANTAMO |
| 4694-G | SUBARU SUBARU | LEONE L-SERIES 1300 - 1600 - 1800 |
| 4695-G | FIAT FIAT FIAT FORD LANCIA | 500 PANDA - MARBELLA PUNTO (188 SERIES) FIESTA YPSILON |

| | | |
|---------------|--|--|
| | MITSUBISHI OPEL OPEL OPEL OPEL OPEL OPEL | COLT ASTRA (G SERIES) ASTRA (H SERIES) COMBO CORSA (C SERIES) TIGRA ZAFIRA |
| 4696-G | MAZDA MAZDA MAZDA | 323 (BG SERIES) 04-87→09-00 626 RX7 |
| 4697-G | MAZDA | RX5 |
| 4698-G | MITSUBISHI MITSUBISHI | GALANT (I SERIES) 01-77→08-80 SAPORO |
| 4699-G | MAZDA | RX7 |
| 4700-G | MAZDA | RX7 |
| 4701-G | HONDA | NSX |
| 4702-G | LEXUS | LS |
| 4703-G | BMW BMW BMW | 5 SERIES (E34) 88→ 7 SERIES (E38) 94→ 8 SERIES (E31) 90→ |
| 4704-G | LEXUS LEXUS | ES GS |
| 4705-G | CITROËN | 2CV - DYANE - C8 - MEHARI |
| 4706-G | SMART SMART SMART SMART SMART | CABRIO CITY COUPE CROSSBLADE FORTWO ROADSTER |
| 4707-G | CHRYSLER | VOYAGER |
| 4708-G | TOYOTA | PREVIA |
| 4709-G | LEXUS LEXUS | GS LS |
| 4710-G | MERCEDES VOLKSWAGEN | SPRINTER (BM901-902-903-904-905) 95→06 LT SERIES |
| 4711-G | NISSAN - DATSUN | X-TRAIL |
| 4712-G | LEXUS TOYOTA | LX LAND CRUISER |
| 4713-G | MERCEDES | SPRINTER (BM901-902-903-904-905) 95→06 DISCOVERY |
| 4714-G | LAND ROVER | DISCOVERY |
| 4715-G | NISSAN - DATSUN NISSAN - DATSUN NISSAN - DATSUN NISSAN - DATSUN | KING CAB NAVARA PATHFINDER PICK-UP |
| 4716-G | TOYOTA | STARLET |
| 4717-G | CITROËN CITROËN LANCIA | C2 C3 YPSILON |
| 4718-G | FORD NISSAN - DATSUN | TRANSIT (IV SERIES) 00→06 CABSTAR - ATLAS |
| 4719-G | NISSAN - DATSUN | PATROL |
| 4721-G | FORD | EXPLORER |
| 4722-G | LAND ROVER LAND ROVER LAND ROVER | DISCOVERY RANGE ROVER RANGE ROVER SPORT |
| 4723-G | SUZUKI | JIMNY |

MANUFACTURAS WRACKYNSON

www.wrakynson.com

Page 523 of 822



REPAIR KITS & THEIR APPLICATIONS



| | | |
|---------------|---|--|
| 4724-G | CHEVROLET CHEVROLET DAEWOO | AVEO SPARK KALOS |
| 4725-G | MAZDA | 929 |
| 4726-G | CITROËN CITROËN CITROËN LANCIA MITSUBISHI PEUGEOT SMART | C2 C3 C8 YPSILON COLT 807 FORFOUR |
| 4727-G | SUBARU | L-SERIES 1300 - 1600 - 1800 |
| 4728-G | SUBARU | L-SERIES 1300 - 1600 - 1800 |
| 4729-G | SUBARU | L-SERIES 1300 - 1600 - 1800 |
| 4730-G | ISUZU KIA KIA | MIDI RETONA SPORTAGE |
| 4731-G | HONDA HONDA | CR-V (I SERIES) CR-V (II SERIES) |
| 4732-G | ROVER | 800 SERIES |
| 4733-G | KIA KIA | CARENS CLARUS |
| 4734-G | LEXUS TOYOTA | RX CAMRY |
| 4735-G | TOYOTA | HIACE |
| 4736-G | MERCEDES | T1 (BM601 - BM602) 5-77→ |
| 4737-G | MAZDA | E1 - E2 (VAN - WAGON - PICK-UP) |
| 4738-G | MERCEDES MERCEDES | CABRIOLET HECKFLOSSE (W110-W111) 59→72 PAGODE (W113) 63→72 |
| 4739-G | HONDA HONDA | ACCORD (I SERIES) 05-76→09-83 ACCORD (II SERIES) 09-83→10-85 |
| 4740-G | MERCEDES | T1-TN (BM611) 6-81→ |
| 4741-G | MERCEDES | T1-TN (BM611) 6-81→ |
| 4742-G | MERCEDES MERCEDES | LP 9-63→12-84 T2-L (BM309-310) 1-68→12-88 |
| 4743-G | MERCEDES MERCEDES | V-CLASS (BM638-2) 2-96→7-03 VITO (BM638) 02-96→7-03 |
| 4744-G | CHEVROLET CHEVROLET DAEWOO DAEWOO | LACETTI NUBIRA LACETTI NUBIRA |
| 4745-G | AUDI AUDI AUDI RENAULT RENAULT RENAULT RENAULT RENAULT RENAULT RENAULT VOLKSWAGEN | A4 (B5 SERIES) 94→01 A4 (B6 SERIES) 01→05 A4 (B7 SERIES) 05→07 CLIO ESPACE LAGUNA MEGANE MEGANE SCENIC SAFRANE SCENIC PASSAT (3B2 - 3B5) 08-96→12-01 |
| 4746-G | CHEVROLET DAEWOO DAEWOO | NUBIRA LACETTI NUBIRA |
| 4747-G | NISSAN - DATSUN | PATROL |

| | | |
|---------------|--|--|
| 4748-G | HONDA | CIVIC (VI SERIES) |
| 4749-G | HONDA HONDA | ACCORD (VI SERIES) 03-97→12-03 CIVIC (VI SERIES) |
| 4750-G | TOYOTA | CAMRY |
| 4751-G | IVECO IVECO | DAILY (III SERIES) 06-99→05-06 DAILY (IV SERIES) 06-06→09-11 |
| 4752-G | KIA KIA | CARNIVAL PREGIO |
| 4753-G | MINI OPEL OPEL OPEL OPEL | MINI (R56) ASTRA (G SERIES) ASTRA (H SERIES) MERIVA ZAFIRA |
| 4754-G | LAND ROVER NISSAN - DATSUN NISSAN - DATSUN | FREELANDER ALMERA PRIMERA |
| 4755-G | CITROËN CITROËN CITROËN FIAT LANCIA NISSAN - DATSUN OPEL PEUGEOT PEUGEOT PEUGEOT RENAULT RENAULT RENAULT | C5 C6 C8 ULYSSE PHEDRA PRIMASTAR VIVARO 407 607 807 AVANTIME ESPACE TRAFIC |
| 4756-G | MERCEDES MERCEDES | V-CLASS (BM638-2) 2-96→7-03 VITO (BM638) 02-96→7-03 |
| 4757-G | FORD VOLKSWAGEN | GALAXY SHARAN |
| 4758-G | VOLKSWAGEN VOLKSWAGEN VOLKSWAGEN | MULTIVAN TOUAREG TRANSPORTER (V SERIES) 04-03→ |
| 4759-G | TOYOTA | AVENSIS |
| 4760-G | CHEVROLET MITSUBISHI MITSUBISHI MITSUBISHI OPEL | HHR GALANT (VI SERIES) 09-96→10-04 LANCER (VI SERIES CS-CT) 12-00→03-11 SPACE RUNNER GT |
| 4761-G | MERCEDES MERCEDES | S-CLASS (W126) 10-79→6-91 S-CLASS COUPE (C126) 10-81→6-91 |
| 4762-G | MAZDA MAZDA MITSUBISHI MITSUBISHI MITSUBISHI MITSUBISHI | CX-7 CX-9 GRANDIS MONTERO PAJERO SHOGUN |
| 4763-G | BMW BMW BMW | 3 SERIES (E30) 83→ 5 SERIES (E28) 81→88 6 SERIES (E24) 76→88 |
| 4764-G | PORSCHE PORSCHE | 924 928 |

MANUFACTURAS WRAKYNSON

www.wrakynson.com

Page 524 of 822



REPAIR KITS & THEIR APPLICATIONS



| | | |
|---------------|-----------------|--|
| 4764-G | PORSCHE | 944 |
| 4765-G | OPEL | COMBO |
| | OPEL | CORSA (C SERIES) |
| | OPEL | MERIVA |
| | OPEL | TIGRA |
| 4766-G | TOYOTA | PREVIA |
| 4767-G | FORD | GALAXY |
| | SEAT | ALHAMBRA |
| | VOLKSWAGEN | TRANSPORTER (IV SERIES) 07-90→04-03 |
| 4768-G | ALFA ROMEO | GIULIETTA |
| | AUDI | A3 (8P SERIES) 02→12 |
| | AUDI | A5 |
| | AUDI | Q3 |
| | AUDI | TT (8J SERIES) 07→14 |
| | BMW | 3 SERIES (E46) 9-98→ |
| | BMW | 3 SERIES (E90) 05→ |
| | BMW | 3 SERIES (E90) 05→ |
| | BMW | 3 SERIES (E92) 6-06→ |
| | BMW | 3 SERIES (E92) 6-06→ |
| | BMW | 3 SERIES (E93) 8-06→ |
| | BMW | 3 SERIES (E93) 8-06→ |
| | BMW | 3 TOURING (E91) 05→ |
| | BMW | 3 TOURING (E91) 05→ |
| | BMW | X1 (E84) 03-09→ |
| | BMW | X1 (E84) 03-09→ |
| | BMW | X3 (E83) |
| | CITROËN | C4 |
| | FIAT | CROMA |
| | FORD | C-MAX |
| | FORD | FOCUS |
| | FORD | FOCUS |
| | FORD | FOCUS C-MAX |
| | FORD | KUGA |
| | HONDA | ACCORD (VII SERIES) 02-03→ |
| | HONDA | ACCORD (VIII SERIES) 06-08→ |
| | HONDA | CIVIC (IX SERIES) |
| | MAZDA | 3 |
| | MAZDA | 5 |
| | MAZDA | 6 |
| | NISSAN - DATSUN | PRIMERA |
| | OPEL | SIGNUM |
| | OPEL | SIGNUM |
| | OPEL | VECTRA |
| | OPEL | VECTRA |
| | PEUGEOT | 207 |
| | PEUGEOT | 307 |
| | PEUGEOT | 308 |
| | RENAULT | LAGUNA |
| | ROVER | 75 SERIES |
| | TOYOTA | AVENSIS |
| | VOLKSWAGEN | EOS |
| | VOLKSWAGEN | GOLF (V SERIES) 10-03→02-09 |
| | VOLKSWAGEN | GOLF (VI SERIES) 10-08→11-13 |
| | VOLVO | C30 |
| | VOLVO | S40 - V40 - V50 |
| | VOLVO | S40 - V40 - V50 |

| | | |
|---------------|------------|---|
| | VOLVO | S60 - S80 |
| | VOLVO | S70 - V70 - C70 |
| | VOLVO | S70 - V70 - C70 |
| 4769-G | DAEWOO | LEGANZA |
| 4770-G | AUDI | 100 (C4 SERIES) 90→95 |
| | AUDI | 80 (B4 SERIES) 91→95 |
| | AUDI | A4 (B5 SERIES) 94→01 |
| | AUDI | A6 (C4 SERIES) 94→97 |
| | AUDI | CABRIOLET |
| | FORD | GALAXY |
| | SEAT | ALHAMBRA |
| | SEAT | CORDOBA |
| | SEAT | IBIZA |
| | SEAT | TOLEDO |
| | VOLKSWAGEN | GOLF (III SERIES) 08-91→07-98 |
| | VOLKSWAGEN | GOLF (IV SERIES) 08-97→06-05 |
| | VOLKSWAGEN | PASSAT (3A2 - 351 - 3A5 - 351) 02-88→12-97 |
| | VOLKSWAGEN | POLO (III SERIES) 09-94→10-01 |
| | VOLKSWAGEN | SHARAN |
| | VOLKSWAGEN | VENTO |
| | VOLVO | S40 - V40 - V50 |
| 4771-G | CHEVROLET | EPICA |
| | CHEVROLET | EVANDA |
| | DAEWOO | EVANDA |
| 4772-G | TOYOTA | MR2 |
| 4773-G | MITSUBISHI | MONTERO |
| | MITSUBISHI | PAJERO |
| 4774-G | OPEL | COMBO |
| | OPEL | CORSA (C SERIES) |
| 4775-G | SUBARU | JUSTY |
| | SUZUKI | SWIFT |
| 4776-G | AUDI | A2 |
| | DACIA | LOGAN |
| | DACIA | SANDERO |
| | FORD | FIESTA |
| | FORD | KA |
| | JEEP | GRAND CHEROKEE |
| | MINI | MINI (R50 - R53) |
| | OPEL | ASTRA (G SERIES) |
| | RENAULT | CLIO |
| | VOLKSWAGEN | LUPO |
| 4777-G | BMW | 3 SERIES (E46) 9-98→ |
| | BMW | 5 SERIES (E39) 96→ |
| | BMW | X5 (E53) 01→ |
| | LAND ROVER | RANGE ROVER |
| 4778-G | SAAB | 9000 |
| 4779-G | HONDA | CIVIC (V SERIES) |
| 4780-G | CITROËN | JUMPER |
| | FIAT | DUCATO |
| | PEUGEOT | BOXER |
| 4781-G | LANCIA | THEMA - GAMMA |
| 4782-G | CHEVROLET | KALOS |
| | DAEWOO | KALOS |
| 4783-G | CHEVROLET | KALOS |
| | DAEWOO | KALOS |
| 4784-G | AUDI | 100 (C4 SERIES) 90→95 |



REPAIR KITS & THEIR APPLICATIONS



| | | |
|---------------|-----------------|----------------------------|
| 4819-G | CITROËN | C3 |
| | CITROËN | C4 |
| | CITROËN | C5 |
| | CITROËN | C8 |
| | CITROËN | XSARA |
| | FIAT | ULYSSE |
| | LANCIA | PHEDRA |
| | PEUGEOT | 206 |
| | PEUGEOT | 307 |
| | PEUGEOT | 406 |
| | PEUGEOT | 407 |
| | PEUGEOT | 607 |
| | PEUGEOT | 807 |
| 4820-G | NISSAN - DATSUN | X-TRAIL |
| 4821-G | CITROËN | C2 |
| | CITROËN | C3 |
| | CITROËN | C4 |
| | PEUGEOT | 1007 |
| | PEUGEOT | 307 |
| 4822-G | HONDA | CIVIC (IX SERIES) |
| | MINI | MINI (R50 - R53) |
| | TOYOTA | YARIS |
| 4823-G | CHEVROLET | MATIZ |
| | CHEVROLET | SPARK |
| | DAEWOO | MATIZ |
| 4824-G | TOYOTA | YARIS |
| 4825-G | FORD | TOURNEO |
| | FORD | TRANSIT CONNECT |
| 4826-G | MAZDA | 6 |
| 4827-G | KIA | RIO |
| | KIA | SHUMA |
| 4828-G | TOYOTA | HIACE |
| 4829-G | CHEVROLET | EPICA |
| | CHEVROLET | EVANDA |
| | CHEVROLET | TACUMA |
| | DAEWOO | EVANDA |
| | DAEWOO | LEGANZA |
| | DAEWOO | REZZO |
| | DAEWOO | TACUMA |
| | HYUNDAI | ELANTRA |
| | KIA | CERATO |
| | KIA | MAGENTIS |
| | KIA | SOUL |
| 4830-G | MERCEDES | M-CLASS (W163) 2-98→6-05 |
| | OPEL | VECTRA |
| | SAAB | 9.5 |
| | VOLKSWAGEN | SHARAN |
| 4831-G | CITROËN | JUMPER |
| | FIAT | DUCATO |
| | PEUGEOT | BOXER |
| 4832-G | ALFA ROMEO | 147 |
| | MERCEDES | A-CLASS (W168) 07-97→08-04 |
| 4833-G | HYUNDAI | SANTA FÉ |
| 4834-G | TATA | SAFARI |
| 4835-G | TOYOTA | CAMRY |
| | TOYOTA | PRIUS |
| 4837-G | DAEWOO | LANOS |

| | | |
|---------------|------------|-----------------------------|
| 4838-G | HYUNDAI | ACCENT |
| | HYUNDAI | GALLOPER |
| | HYUNDAI | GETZ |
| 4839-G | TATA | SAFARI |
| 4840-G | TATA | SAFARI |
| 4841-G | CITROËN | C5 |
| | CITROËN | C8 |
| | CITROËN | EVASION |
| | CITROËN | JUMPY |
| | CITROËN | XANTIA |
| | FIAT | SCUDO |
| | FIAT | ULYSSE |
| | LANCIA | PHEDRA |
| | LANCIA | ZETA |
| | PEUGEOT | 406 |
| | PEUGEOT | 607 |
| | PEUGEOT | 806 |
| | PEUGEOT | 807 |
| | PEUGEOT | EXPERT |
| 4842-G | HONDA | JAZZ |
| 4843-G | HYUNDAI | GETZ |
| 4844-G | HYUNDAI | SANTA FÉ |
| 4845-G | ROVER | 200 - 400 SERIES |
| | ROVER | 25 |
| 4846-G | FIAT | DOBLO |
| 4847-G | HYUNDAI | GETZ |
| 4848-G | HONDA | ACCORD (VII SERIES) 02-03→ |
| 4849-G | BMW | 1 SERIES (E81 - E87) 09-04→ |
| | BMW | 3 SERIES (E46) 9-98→ |
| | BMW | 3 SERIES (E90) 05→ |
| | BMW | 5 SERIES (E39) 96→ |
| | BMW | X3 (E83) |
| | BMW | X5 (E53) 01→ |
| | BMW | Z4 (E85) |
| | BMW | Z8 |
| | CITROËN | C8 |
| | CITROËN | EVASION |
| | CITROËN | JUMPY |
| | FIAT | SCUDO |
| | FIAT | ULYSSE |
| | LANCIA | PHEDRA |
| | LANCIA | ZETA |
| | PEUGEOT | 806 |
| | PEUGEOT | EXPERT |
| 4850-G | ALFA ROMEO | 147 |
| | ALFA ROMEO | GT |
| 4851-G | TOYOTA | STARLET |
| | TOYOTA | TERCEL |
| 4852-G | FORD | PROBE |
| | MAZDA | 323 (BJ SERIES) 05-98→05-04 |
| | MAZDA | 6 |
| | MAZDA | 6 |
| | MAZDA | 626 |
| | MAZDA | MX6 |
| | MAZDA | PREMACY |
| | MAZDA | XEDOS |
| 4853-G | PEUGEOT | 406 |

MANUFACTURAS WRKYNSON

www.wrakynson.com

Page 527 of 822



REPAIR KITS & THEIR APPLICATIONS



| | | |
|---------------|------------|--------------------------------------|
| 4853-G | RENAULT | MODUS |
| 4854-G | SEAT | CORDOBA |
| | SEAT | IBIZA |
| | SKODA | FABIA |
| | VOLKSWAGEN | POLO (IV SERIES) 10-01→11-09 |
| 4855-G | SEAT | CORDOBA |
| | SEAT | IBIZA |
| | SKODA | FABIA |
| | VOLKSWAGEN | POLO (IV SERIES) 10-01→11-09 |
| 4856-G | CITROËN | C4 |
| | PEUGEOT | 307 |
| 4857-G | CITROËN | C5 |
| 4858-G | ALFA ROMEO | MITO |
| | AUDI | A3 (8P SERIES) 02→12 |
| | CITROËN | C4 |
| | FIAT | BRAVO - BRAVA |
| | FIAT | MULTIPLA |
| | FIAT | STILO |
| | FORD | MONDEO |
| | JAGUAR | X-TYPE |
| | PEUGEOT | 207 |
| | PEUGEOT | 307 |
| | SEAT | ALTEA |
| | SEAT | LEON |
| | SKODA | OCTAVIA |
| | SKODA | SUPERB |
| | SKODA | YETI |
| | VOLKSWAGEN | CADDY |
| | VOLKSWAGEN | GOLF (VI SERIES) 10-08→11-13 |
| | VOLKSWAGEN | JETTA (III SERIES) 08-05→10-10 |
| | VOLKSWAGEN | JETTA (IV SERIES) 04-10→ |
| | VOLKSWAGEN | NEW BEETLE |
| | VOLKSWAGEN | TOURAN |
| 4859-G | TOYOTA | AVENSIS |
| | TOYOTA | COROLLA (E13 SERIES) 03-04→04-09 |
| | TOYOTA | COROLLA VERSO (R10 SERIES) 02-04→ |
| | TOYOTA | PREVIA |
| | TOYOTA | VERSO |
| 4860-G | CITROËN | C8 |
| | CITROËN | JUMPY |
| | FIAT | SCUDO |
| | FIAT | ULYSSE |
| | LANCIA | PHEDRA |
| | LANCIA | THESIS |
| | PEUGEOT | 807 |
| | PEUGEOT | EXPERT |
| 4861-G | OPEL | AGILA |
| 4862-G | AUDI | 50 |
| | AUDI | 80 - 90 (B2 SERIES) 78→86 |
| | AUDI | 80 (B1 SERIES) 72→78 |
| | AUDI | 80 (B4 SERIES) 91→95 |
| | AUDI | A2 |
| | SEAT | AROSA |
| | SEAT | IBIZA |
| | VOLKSWAGEN | FOX |
| | VOLKSWAGEN | LUPO |

| | | |
|---------------|-----------------|--|
| | VOLKSWAGEN | VENTO |
| 4863-G | NISSAN - DATSUN | MICRA |
| | RENAULT | MODUS |
| 4864-G | ISUZU | FORWARD |
| 4865-G | CITROËN | C5 |
| | PEUGEOT | 407 |
| 4866-G | ROVER | 200 - 400 SERIES |
| 4867-G | ALFA ROMEO | 147 |
| | FIAT | MULTIPLA |
| | FIAT | PUNTO (176 SERIES) |
| | FIAT | STILO |
| | LANCIA | YPSILON |
| 4868-G | TOYOTA | RAV-4 |
| 4869-G | NISSAN - DATSUN | 160B - 180B - 200B |
| | NISSAN - DATSUN | SUNNY - PULSAR - 100NX (B13 SERIES) |
| 4870-G | AUDI | 100 (C1 SERIES) 68→76 |
| 4871-G | ISUZU | TROOPER |
| 4873-G | TOYOTA | SUPRA |
| | VOLKSWAGEN | 1.200 - 1.300 - 1.500 - 1.600 BEETLE |
| 4874-G | KIA | PICANTO |
| 4875-G | AUDI | 60 - 75 |
| | BMW | 1500 - 2000CS (115 - 116 - 118 - 121) 10-62→11-72 |
| | BMW | 1502 - 2002TII (02) (E10 - E6) 66→77 |
| | DAF | 44 - 55 - 66 |
| 4878-G | FORD | GRANADA - CONSUL |
| | RENAULT | FUEGO |
| | RENAULT | R15 |
| | RENAULT | R16 |
| | RENAULT | R17 |
| | RENAULT | R18 |
| | RENAULT | R5 - R6 |
| 4880-G | RENAULT | R4 |
| 4881-G | HONDA | ACCORD (VII SERIES) 02-03→ |
| | HONDA | ACCORD (VIII SERIES) 06-08→ |
| | HONDA | CR-V (II SERIES) |
| | HONDA | FR-V |
| | HONDA | LEGEND |
| | HONDA | SHUTTLE |
| | HONDA | STREAM |
| 4882-G | MERCEDES | M-CLASS (W163) 2-98→6-05 |
| | NISSAN - DATSUN | 350Z |
| 4883-G | KIA | PICANTO |
| 4884-G | DAEWOO | LANOS |
| 4885-G | BMW | 1 SERIES COUPE (E82) 09-07→ |
| | BMW | 3 SERIES (E46) 9-98→ |
| | BMW | 3 SERIES (E90) 05→ |
| | BMW | 3 SERIES (E92) 6-06→ |
| | BMW | 3 SERIES (E93) 8-06→ |
| | BMW | 5 SERIES (E60) 07-03→ |
| | BMW | 5 SERIES (E61) 6-04→ |
| | BMW | 6 SERIES (E63 - E64) 1-04→ |
| | BMW | 7 SERIES (E65 - E66 - E67) 11-01→ |
| | BMW | Z4 (E85) |
| | BMW | Z4 (E86) |
| 4887-G | BMW | 7 SERIES (E38) 94→ |

MANUFACTURAS WRKYNSON

www.wrakynson.com

Page 528 of 822



REPAIR KITS & THEIR APPLICATIONS



| | | |
|---------------|--------------|---|
| 4887-G | BMW | 8 SERIES (E31) 90→ |
| | CITROËN | C8 |
| | MERCEDES | C-CLASS (S202-S203) 6-96→ |
| | MERCEDES | C-CLASS (W203) 5-00→ |
| | MERCEDES | C-CLASS COUPE (CL203) 03-01→ |
| | MERCEDES | CLK (C208-C209) 6-97→ |
| | MERCEDES | CLS (C219) 10-04→ |
| | MERCEDES | E-CLASS (W211-S211) 3-02→ |
| | MERCEDES | M-CLASS (W163) 2-98→6-05 |
| | MERCEDES | S-CLASS (W220) 10-98→08-05 |
| | OPEL | ASTRA (J SERIES) |
| | OPEL | INSIGNIA |
| | PEUGEOT | 807 |
| | SAAB | 9.5 |
| 4888-G | RENAULT | R.V.I (RENAULT TRUCKS) |
| 4889-G | DAF | F1100 → F3600 |
| | DAF | F45 - F600 - F800 - F1000 →95 |
| | IVECO | MK80 - 13 - 80 - 16 - 80 - 9 - 90 - 13 |
| | RENAULT | R.V.I (RENAULT TRUCKS) |
| | VOLVO TRUCKS | F SERIES |
| 4890-G | RENAULT | KANGOO |
| 4891-G | BMW | 3 SERIES (E90) 05→ |
| | BMW | 3 SERIES (E92) 6-06→ |
| | BMW | 3 SERIES (E93) 8-06→ |
| | BMW | 3 TOURING (E91) 05→ |
| | BMW | X1 (E84) 03-09→ |
| | BMW | X5 (E70) 02-07→ |
| | BMW | X6 (E71 - E72) |
| | PORSCHE | CAYENNE |
| | VOLKSWAGEN | MULTIVAN |
| | VOLKSWAGEN | TOUAREG |
| | VOLKSWAGEN | TRANSPORTER (V SERIES) 04-03→ |
| | VOLVO | XC90 |
| 4892-G | KIA | CARNIVAL |
| 4893-G | AUDI | A4 (B5 SERIES) 94→01 |
| | AUDI | A4 (B6 SERIES) 01→05 |
| | AUDI | A4 (B7 SERIES) 05→07 |
| | AUDI | A6 (C5 SERIES) 97→04 |
| | AUDI | ALLROAD |
| | VOLKSWAGEN | PASSAT (3B3 - 3B6) 11-00→05-05 |
| | VOLKSWAGEN | PHAETON |
| 4894-G | MAZDA | 323 (BG SERIES) 04-87→09-00 |
| 4895-G | MERCEDES | N-1000 - N-1300 |
| 4896-G | TALBOT | MATRA |
| | TALBOT | MURENA |
| 4898-G | BMW | 1500 - 2000CS (115 - 116 - 118 - 121) 10-62→11-72 |
| | BMW | 1502 - 2002TII (02) (E10 - E6) 66→77 |
| | PEUGEOT | 204 |
| 4899-G | HYUNDAI | SANTA FÉ |
| | HYUNDAI | TERRACAN |
| | SSANYONG | REXTON |
| 4900-G | MERCEDES | C-CLASS (S202-S203) 6-96→ |
| | MERCEDES | C-CLASS (W202) 3-93→5-00 |
| | MERCEDES | CLK (A208-A209) 3-98→ |
| | MERCEDES | CLK (C208-C209) 6-97→ |
| | MERCEDES | E-CLASS (W210-S210-T210) 6-95→3-03 |

| | | |
|---------------|-----------------|--------------------------------------|
| | MERCEDES | SL (R129) 3-89→10-01 |
| 4901-G | CHRYSLER | VOYAGER |
| 4902-G | SUZUKI | VITARA - GRAND VITARA |
| 4903-G | TOYOTA | AVENSIS |
| 4904-G | HYUNDAI | GALLOPER |
| | KIA | CERATO |
| 4905-G | TOYOTA | RAV-4 |
| 4906-G | SSANYONG | REXTON |
| 4907-G | MITSUBISHI | SPACE STAR |
| 4908-G | KIA | SORENTO |
| 4909-G | CITROËN | C1 |
| | PEUGEOT | 107 |
| | TOYOTA | AYGO |
| 4910-G | HYUNDAI | GENESIS |
| | HYUNDAI | SONATA |
| | HYUNDAI | TUCSON |
| | KIA | OPIRUS |
| | KIA | SPORTAGE |
| 4911-G | SUBARU | MINI JUMBO |
| 4912-G | KIA | CARENS |
| 4913-G | AUDI | A3 (8P SERIES) 02→12 |
| | SEAT | ALTEA |
| | SEAT | TOLEDO |
| | VOLKSWAGEN | GOLF (V SERIES) 10-03→02-09 |
| | VOLKSWAGEN | TOURAN |
| 4915-G | HONDA | ACCORD (IV SERIES) 11-89→12-93 |
| 4916-G | KIA | CARENS |
| | KIA | CLARUS |
| 4917-G | CITROËN | C CROSSER |
| | MITSUBISHI | GRANDIS |
| | MITSUBISHI | LANCER (VI SERIES CS-CT) 12-00→03-11 |
| | MITSUBISHI | LANCER (VII SERIES CX-CY-CZ) 03-07→ |
| | MITSUBISHI | OUTLANDER |
| | PEUGEOT | 4007 |
| 4918-G | BMW | 1 SERIES (E81 - E87) 09-04→ |
| | BMW | 3 SERIES (E90) 05→ |
| | BMW | 3 SERIES (E92) 6-06→ |
| 4919-G | IVECO | DAILY (III SERIES) 06-99→05-06 |
| 4920-G | IVECO | DAILY (III SERIES) 06-99→05-06 |
| | IVECO | DAILY (III SERIES) 06-99→05-06 |
| | IVECO | DAILY (IV SERIES) 06-06→09-11 |
| | NISSAN - DATSUN | CABSTAR - ATLAS |
| | RENAULT | MASCOTT |
| 4923-G | NISSAN - DATSUN | SUNNY - PULSAR - 100NX (B13 SERIES) |
| 4924-G | MAZDA | 6 |
| 4925-G | FIAT | PANDA - MARBELLA |
| 4926-G | TOYOTA | COROLLA (E12 SERIES) 03-01→05-04 |
| 4927-G | SUBARU | FORESTER |
| | SUBARU | IMPREZA |
| | SUBARU | LEGACY (III SERIES) 10-98→08-03 |
| | SUBARU | LEGACY (IV SERIES) 09-03→08-09 |
| | SUBARU | OUTBACK |
| 4928-G | CITROËN | C1 |
| | PEUGEOT | 107 |

MANUFACTURAS WRKYNSON

www.wrakynson.com

Page 529 of 822



REPAIR KITS & THEIR APPLICATIONS



| | | |
|---------------|-----------------|---------------------------------|
| 4928-G | TOYOTA | AYGO |
| 4929-G | SUZUKI | SJ410 - SJ413 - SAMURAI |
| 4930-G | FIAT | FIORINO |
| | FIAT | PALIO |
| | FIAT | STRADA |
| 4931-G | SUBARU | FORESTER |
| | SUBARU | IMPREZA |
| | SUBARU | LEGACY (II SERIES) 02-94→03-99 |
| | SUBARU | LEGACY (III SERIES) 10-98→08-03 |
| | SUBARU | OUTBACK |
| 4932-G | ALFA ROMEO | GIULIETTA |
| | ALFA ROMEO | MITO |
| | RENAULT | CLIO |
| | RENAULT | MEGANE |
| 4933-G | LEXUS | GS |
| | LEXUS | IS |
| 4934-G | LEXUS | LS |
| 4935-G | NISSAN - DATSUN | X-TRAIL |
| 4936-G | HONDA | LEGEND |
| | LEXUS | GS |
| | LEXUS | IS |
| | LEXUS | LS |
| 4937-G | KIA | CARENS |
| | KIA | CARNIVAL |
| 4938-G | LEXUS | RX |
| 4939-G | TOYOTA | LAND CRUISER |
| 4940-G | NISSAN - DATSUN | KUBISTAR |
| | RENAULT | KANGOO |
| 4941-G | SSANYONG | REXTON |
| 4942-G | NISSAN - DATSUN | ALMERA |
| | NISSAN - DATSUN | NAVARA |
| | NISSAN - DATSUN | PATHFINDER |
| | NISSAN - DATSUN | PRIMERA |
| | NISSAN - DATSUN | X-TRAIL |
| 4943-G | CHEVROLET | TACUMA |
| | DAEWOO | ESPERO |
| | DAEWOO | EVANDA |
| | DAEWOO | LANOS |
| | DAEWOO | NEXIA |
| | DAEWOO | TACUMA |
| 4944-G | FORD | MAVERICK |
| | NISSAN - DATSUN | SERENA |
| | NISSAN - DATSUN | TERRANO |
| | NISSAN - DATSUN | VANETTE |
| 4945-G | LEXUS | GS |
| | LEXUS | IS |
| 4947-G | IVECO | DAILY (III SERIES) 06-99→05-06 |
| | MERCEDES | SPRINTER (906) 06→ |
| | NISSAN - DATSUN | CABSTAR - ATLAS |
| | RENAULT | MASCOTT |
| | VOLKSWAGEN | CRAFTER |
| 4948-G | MERCEDES | M-CLASS (W164) 7-05→ |
| 4949-G | IVECO | EUROCARGO |
| 4950-G | CHEVROLET | TACUMA |
| | DAEWOO | TACUMA |
| 4951-G | MITSUBISHI | GALLOPER |

| | | |
|---------------|-----------------|-------------------------------------|
| | MITSUBISHI | MONTERO |
| | MITSUBISHI | PAJERO |
| | MITSUBISHI | SHOGUN |
| 4952-G | NISSAN - DATSUN | SUNNY - PULSAR - 100NX (B13 SERIES) |
| 4953-G | MERCEDES | A-CLASS (W168) 07-97→08-04 |
| 4954-G | TOYOTA | CELICA |
| | TOYOTA | PRIUS |
| 4955-G | JAGUAR | S-TYPE |
| | JAGUAR | XJ - XJS |
| 4956-G | IVECO | DAILY (II SERIES) 01-90→05-99 |
| 4957-G | TOYOTA | CAMRY |
| 4958-G | HYUNDAI | SONATA |
| | KIA | MAGENTIS |
| 4959-G | KIA | JOICE |
| 4960-G | MAZDA | 3 |
| 4961-G | RENAULT | AVANTIME |
| | RENAULT | ESPACE |
| 4962-G | FORD | C-MAX |
| | FORD | FOCUS C-MAX |
| | RENAULT | CLIO |
| 4963-G | AUDI | A2 |
| 4964-G | PEUGEOT | 407 |
| 4965-G | SUZUKI | VITARA - GRAND VITARA |
| 4967-G | SUZUKI | VITARA - GRAND VITARA |
| | SUZUKI | VITARA - GRAND VITARA |
| | TOYOTA | RAV-4 |
| 4968-G | MERCEDES | E-CLASS (W211-S211) 3-02→ |
| 4969-G | MITSUBISHI | MONTERO |
| | MITSUBISHI | PAJERO |
| 4970-G | PORSCHE | 914 |
| | VOLKSWAGEN | 411 - 412 |
| 4971-G | AUDI | A6 (C6 SERIES) 04→11 |
| | AUDI | A8 (4D SERIES) 94→03 |
| | AUDI | A8 (4E SERIES) 03→10 |
| | BMW | 5 SERIES (E60) 07-03→ |
| | BMW | 5 SERIES (E61) 6-04→ |
| | BMW | 6 SERIES (E63 - E64) 1-04→ |
| | BMW | 7 SERIES (E65 - E66 - E67) 11-01→ |
| | VOLKSWAGEN | PHAETON |
| 4972-G | IVECO | DAILY (III SERIES) 06-99→05-06 |
| | RENAULT | MASCOTT |
| 4973-G | HONDA | NSX |
| 4974-G | KIA | RIO |
| 4975-G | NISSAN - DATSUN | SUNNY - PULSAR - 100NX (B13 SERIES) |
| 4976-G | FIAT | IDEA |
| | LANCIA | MUSA |
| | LANCIA | YPSILON |
| 4977-G | AUDI | A4 (B5 SERIES) 94→01 |
| | AUDI | A6 (C4 SERIES) 94→97 |
| | FORD | GALAXY |
| | SEAT | ALHAMBRA |
| | VOLKSWAGEN | SHARAN |
| 4978-G | MERCEDES | VIANO (W639) 9-03→ |
| | MERCEDES | VITO (W639) 9-03→ |
| 4979-G | HONDA | PRELUDE |



REPAIR KITS & THEIR APPLICATIONS



| | | |
|---------------|------------|--|
| 4979-G | SUZUKI | SWIFT |
| 4980-G | HONDA | ACCORD (IV SERIES) 11-89→12-93 |
| | HONDA | ACCORD (V SERIES) 03-93→10-98 |
| | HONDA | ACCORD (VI SERIES) 03-97→12-03 |
| | HONDA | CIVIC (VI SERIES) |
| | HONDA | CIVIC (VII SERIES) |
| | HONDA | CIVIC (VIII SERIES) |
| | HONDA | PRELUDE |
| | ROVER | 600 SERIES |
| 4981-G | ALFA ROMEO | 164 |
| | AUDI | 100 (C3 SERIES) 82→90 |
| | AUDI | 80 - 90 (B3 SERIES) 86→91 |
| | VOLKSWAGEN | CORRADO |
| | VOLKSWAGEN | GOLF (II SERIES) 08-83→12-92 |
| | VOLKSWAGEN | GOLF (III SERIES) 08-91→07-98 |
| | VOLKSWAGEN | PASSAT (32B) 11-79→06-89 |
| | VOLKSWAGEN | PASSAT (3A2 - 35I - 3A5 - 35I) 02-88→12-97 |
| | VOLKSWAGEN | POLO (III SERIES) 09-94→10-01 |
| | VOLKSWAGEN | VENTO |
| | VOLVO | S40 - V40 - V50 |
| 4982-G | FIAT | TIPO |
| | LANCIA | DEDRA |
| | LANCIA | THEMA - GAMMA |
| | VOLKSWAGEN | TRANSPORTER (IV SERIES) 07-90→04-03 |
| 4983-G | ALFA ROMEO | 166 |
| | AUDI | 100 (C3 SERIES) 82→90 |
| | AUDI | A4 (B5 SERIES) 94→01 |
| | AUDI | A4 (B6 SERIES) 01→05 |
| | AUDI | A4 (B7 SERIES) 05→07 |
| | AUDI | A6 (C4 SERIES) 94→97 |
| | AUDI | A6 (C5 SERIES) 97→04 |
| | AUDI | A6 (C6 SERIES) 04→11 |
| | BMW | 5 SERIES (E28) 81→88 |
| | BMW | 6 SERIES (E24) 76→88 |
| | FORD | GALAXY |
| | LANCIA | KAPPA |
| | MERCEDES | C-CLASS (T202) 6-96→3-01 |
| | MERCEDES | C-CLASS (W202) 3-93→5-00 |
| | MERCEDES | CLK (C208-C209) 6-97→ |
| | MERCEDES | E-CLASS (W210-S210-T210) 6-95→3-03 |
| | MERCEDES | SLK (R170) 4-96→4-04 |
| | OPEL | ASTRA (G SERIES) |
| | OPEL | ASTRA (H SERIES) |
| | OPEL | MERIVA |
| | OPEL | VECTRA |
| | OPEL | ZAFIRA |
| | PEUGEOT | 605 |
| | SAAB | 9.3 |
| | SAAB | 9.5 |
| | SAAB | 900 |
| | SAAB | 9000 |
| | SEAT | ALHAMBRA |
| | SKODA | SUPERB |
| | TOYOTA | AVENSIS |
| | VOLKSWAGEN | PASSAT (3B2 - 3B5) 08-96→12-01 |

| | | |
|---------------|------------|--|
| | VOLKSWAGEN | PASSAT (3B3 - 3B6) 11-00→05-05 |
| | VOLKSWAGEN | SHARAN |
| | VOLKSWAGEN | TRANSPORTER (IV SERIES) 07-90→04-03 |
| | VOLVO | 850 |
| | VOLVO | 940 - 960 |
| | VOLVO | S70 - V70 - C70 |
| 4984-G | MERCEDES | SPRINTER (BM901-902-903-904-905) 95→06 |
| | MERCEDES | V-CLASS (BM638-2) 2-96→7-03 |
| | MERCEDES | VITO (W639) 02-96→7-03 |
| | MERCEDES | VITO (W639) 9-03→ |
| 4985-G | MAZDA | 323 (BA SERIE) 05-94→01-01 |
| | MAZDA | 323 (BG SERIES) 04-87→09-00 |
| | MAZDA | MX3 |
| 4986-G | FORD | SIERRA |
| 4987-G | CITROËN | AX |
| | CITROËN | VISA - LNA |
| | CITROËN | ZX |
| 4988-G | MAZDA | MX5 |
| 4989-G | AUDI | 100 (C3 SERIES) 82→90 |
| | AUDI | 200 |
| | AUDI | 80 - 90 (B2 SERIES) 78→86 |
| 4990-G | CITROËN | C4 |
| | FIAT | MULTIPLA |
| | FIAT | STILO |
| | FORD | MONDEO |
| | PEUGEOT | 207 |
| | PEUGEOT | 307 |
| 4991-G | MERCEDES | SPRINTER (BM901-902-903-904-905) 95→06 |
| | VOLKSWAGEN | LT SERIES |
| 4992-G | MERCEDES | CLS (C218) 01-11→ |
| | MERCEDES | CLS (C219) 10-04→ |
| | MERCEDES | E-CLASS (W211-S211) 3-02→ |
| | MERCEDES | E-CLASS (W212-S212) 01-09→ |
| | MERCEDES | S-CLASS (C215-C216) 3-99→ |
| | MERCEDES | S-CLASS (W221) 10-05→ |
| 4993-G | JEEP | CHEROKEE |
| 4994-G | AUDI | A2 |
| | AUDI | A3 (8P SERIES) 02→12 |
| | SEAT | ALTEA |
| | SEAT | CORDOBA |
| | SEAT | IBIZA |
| | SEAT | LEON |
| | SEAT | TOLEDO |
| | SKODA | FABIA |
| | SKODA | OCTAVIA |
| | SKODA | PRAKTIK |
| | SKODA | ROOMSTER |
| | VOLKSWAGEN | BORA |
| | VOLKSWAGEN | EOS |
| | VOLKSWAGEN | FOX |
| | VOLKSWAGEN | GOLF (IV SERIES) 08-97→06-05 |
| | VOLKSWAGEN | GOLF (V SERIES) 10-03→02-09 |
| | VOLKSWAGEN | JETTA (III SERIES) 08-05→10-10 |
| | VOLKSWAGEN | LUPO |
| | VOLKSWAGEN | NEW BEETLE |



REPAIR KITS & THEIR APPLICATIONS



| | | |
|---------------|--|---|
| 4994-G | VOLKSWAGEN VOLKSWAGEN VOLKSWAGEN | PASSAT (3C2 - 3C5) 03-05→ POLO (IV SERIES) 10-01→11-09 TOURAN |
| 4995-G | FORD | TAUNUS |
| 4996-G | MERCEDES MERCEDES | VIANO (W639) 9-03→ VITO (W639) 9-03→ |
| 4997-G | LAND ROVER LAND ROVER LAND ROVER | DISCOVERY RANGE ROVER RANGE ROVER SPORT |
| 4998-G | FORD | ESCORT - ORION |
| 4999-G | FORD | TAUNUS |
| 6000-G | FORD | ESCORT - ORION |
| 6001-G | FORD | TRANSIT (I SERIES) 65→78 |
| 6002-G | JEEP | GRAND CHEROKEE |
| 6003-G | KIA KIA | CARNIVAL PREGIO |
| 6004-G | MITSUBISHI MITSUBISHI TOYOTA TOYOTA | MONTERO PAJERO 4-RUNNER LAND CRUISER |
| 6005-G | DAIHATSU DAIHATSU KIA MAZDA MAZDA | CUORE HIJET RIO 121 DEMIO |
| 6006-G | MERCEDES MERCEDES PEUGEOT PEUGEOT PEUGEOT | V-CLASS (BM638-2) 2-96→7-03 VITO (BM638) 02-96→7-03 406 605 607 |
| 6007-G | AUDI KIA MITSUBISHI NISSAN - DATSUN RENAULT RENAULT RENAULT SEAT SEAT SEAT SMART VOLKSWAGEN VOLKSWAGEN VOLKSWAGEN VOLKSWAGEN | A2 VENGA COLT ALMERA FLUENCE MEGANE SCENIC AROSA CORDOBA IBIZA FORFOUR LUPO POLO (III SERIES) 09-94→10-01 POLO (IV SERIES) 10-01→11-09 POLO (V SERIES) 06-09→ POLO CLASSIC |
| 6008-G | AUDI NISSAN - DATSUN RENAULT SEAT SEAT VOLKSWAGEN VOLKSWAGEN VOLKSWAGEN VOLKSWAGEN VOLKSWAGEN | A2 ALMERA MEGANE AROSA IBIZA LUPO POLO (III SERIES) 09-94→10-01 POLO (IV SERIES) 10-01→11-09 POLO (V SERIES) 06-09→ POLO CLASSIC |
| 6009-G | FORD | TRANSIT (V SERIES) 06→13 |

| | | |
|---------------|---|--|
| | JEEP | GRAND CHEROKEE |
| 6010-G | KIA KIA | RIO SHUMA |
| 6011-G | OPEL OPEL OPEL | COMBO CORSA (C SERIES) MERIVA |
| 6012-G | SAAB | 99 |
| 6014-G | FORD SAAB | TRANSIT 55 95 - 96 |
| 6015-G | SUBARU SUBARU SUBARU SUBARU | FORESTER IMPREZA LEGACY (II SERIES) 02-94→03-99 LEGACY (III SERIES) 10-98→08-03 |
| 6016-G | KIA KIA | RETONA SPORTAGE |
| 6017-G | HYUNDAI HYUNDAI KIA NISSAN - DATSUN NISSAN - DATSUN NISSAN - DATSUN NISSAN - DATSUN | COUPE ELANTRA CERATO ALMERA MAXIMA PRIMERA SUNNY - PULSAR - 100NX (B13 SERIES) |
| 6018-G | BMW BMW | 3 SERIES (E30) 83→ 7 SERIES (E32) 87→ |
| 6019-G | AUDI AUDI AUDI AUDI FORD FORD FORD | 100 (C3 SERIES) 82→90 200 A6 (C4 SERIES) 94→97 V8 ESCORT - ORION SCORPIO SIERRA |
| 6020-G | VOLVO VOLVO | 850 S70 - V70 - C70 |
| 6021-G | JAGUAR VOLVO | E-TYPE AMAZON |
| 6022-G | FORD MAZDA MAZDA | RANGER B SERIES BT-50 |
| 6023-G | FORD | ESCORT - ORION |
| 6024-G | MERCEDES | UNIMOG 01-66→ |
| 6025-G | FORD | D SERIES |
| 6026-G | AUDI AUDI AUDI AUDI AUDI RENAULT RENAULT | 100 (C3 SERIES) 82→90 200 80 - 90 (B3 SERIES) 86→91 80 (B4 SERIES) 91→95 COUPE ESPACE TRAFIC |
| 6027-G | DAIHATSU MAZDA | CHARADE MX3 |
| 6028-G | IVECO | DAILY (IV SERIES) 06-06→09-11 |
| 6029-G | RENAULT RENAULT RENAULT | GRAND SCENIC MEGANE SCENIC |
| 6030-G | CITROËN FIAT | C4 MULTIPLA |

MANUFACTURAS WRKYNSON

www.wrakynson.com

Page 532 of 822



REPAIR KITS & THEIR APPLICATIONS



| | | |
|---------------|---|--|
| 6030-G | FIAT FORD | STILO MONDEO |
| 6031-G | ALFA ROMEO ALFA ROMEO AUDI AUDI AUDI AUDI AUDI NISSAN - DATSUN OPEL RENAULT SEAT SEAT SKODA VOLKSWAGEN VOLKSWAGEN VOLKSWAGEN VOLKSWAGEN VOLKSWAGEN VOLKSWAGEN VOLKSWAGEN VOLKSWAGEN VOLKSWAGEN VOLKSWAGEN VOLKSWAGEN | 159 SPIDER A3 (8L SERIES) 96→03 A3 (8P SERIES) 02→12 A4 (B7 SERIES) 05→07 TT (8J SERIES) 07→14 TT (8N SERIES) 98→06 PRIMASTAR VIVARO TRAFIC LEON TOLEDO OCTAVIA BORA CADDY GOLF (IV SERIES) 08-97→06-05 GOLF (V SERIES) 10-03→02-09 GOLF (VI SERIES) 10-08→11-13 GOLF PLUS 01-05→ JETTA (III SERIES) 08-05→10-10 MULTIVAN TOURAN TRANSPORTER (V SERIES) 04-03→ |
| 6032-G | SUBARU SUBARU SUBARU SUBARU SUBARU | FORESTER LEGACY (IV SERIES) 09-03→08-09 LEGACY (V SERIES) 09-09→ OUTBACK TRIBECA |
| 6033-G | ALFA ROMEO ALFA ROMEO ALFA ROMEO AUDI AUDI BMW BMW FIAT FORD FORD FORD FORD FORD FORD FORD FORD LANCIA MAZDA MAZDA RENAULT SEAT SKODA TOYOTA VOLKSWAGEN VOLKSWAGEN VOLKSWAGEN VOLKSWAGEN VOLKSWAGEN | 147 156 GT A3 (8P SERIES) 02→12 TT (8J SERIES) 07→14 1 SERIES (E81 - E87) 09-04→ 3 SERIES (E90) 05→ PUNTO (199 SERIES) FIESTA FOCUS FUSION KA PUMA TOURNEO TRANSIT CONNECT LYBRA 121 2 MEGANE ALTEA OCTAVIA YARIS CADDY EOS GOLF (V SERIES) 10-03→02-09 GOLF (VI SERIES) 10-08→11-13 GOLF PLUS 01-05→ |

| | | |
|---------------|--|--|
| | VOLKSWAGEN VOLKSWAGEN VOLKSWAGEN | JETTA (III SERIES) 08-05→10-10 PASSAT (3C2 - 3C5) 03-05→ TOURAN |
| 6034-G | TOYOTA | RAV-4 |
| 6035-G | DAEWOO HYUNDAI HYUNDAI HYUNDAI KIA | TACUMA i30 ix20 VELOSTER CEE'D |
| 6036-G | NISSAN - DATSUN | PATROL |
| 6037-G | DACIA | LOGAN |
| 6038-G | TOYOTA TOYOTA | COROLLA (E12 SERIES) 03-01→05-04 COROLLA (E13 SERIES) 03-04→04-09 |
| 6039-G | BMW BMW BMW BMW FORD LAND ROVER MERCEDES MERCEDES | 5 SERIES (E39) 96→ 7 SERIES (E38) 94→ X3 (E83) X5 (E53) 01→ MAVERICK RANGE ROVER E-CLASS (W211-S211) 3-02→ S-CLASS (W220) 10-98→08-05 |
| 6040-G | ROVER | MINI 850 - 1.000 - 1300 |
| 6041-G | CHEVROLET OPEL | CAPTIVA ANTARA |
| 6042-G | BMW BMW BMW BMW BMW BMW | 3 SERIES (E90) 05→ 3 SERIES (E92) 6-06→ 3 SERIES (E93) 8-06→ 3 TOURING (E91) 05→ X1 (E84) 03-09→ |
| 6043-G | LAND ROVER VOLVO VOLVO VOLVO | FREELANDER S60 - S80 S70 - V70 - C70 XC70 |
| 6044-G | OPEL OPEL OPEL SAAB | GT SIGNUM VECTRA 9.3 |
| 6047-G | IVECO | EUROCARGO |
| 6048-G | FORD | TRANSIT (V SERIES) 06→13 |
| 6049-G | ALFA ROMEO ALFA ROMEO ALFA ROMEO ALFA ROMEO ALFA ROMEO ALFA ROMEO PEUGEOT PEUGEOT VOLVO VOLVO | 147 156 166 GT SPIDER 406 607 S60 - S80 S70 - V70 - C70 |
| 6050-G | ALFA ROMEO ALFA ROMEO ALFA ROMEO | 159 BRERA SPIDER |
| 6051-G | JEEP | GRAND CHEROKEE |
| 6052-G | IVECO IVECO MERCEDES | DAILY (III SERIES) 06-99→05-06 DAILY (IV SERIES) 06-06→09-11 SPRINTER (906) 06→ |

MANUFACTURAS WRACKYNSON

www.wrakynson.com

Page 533 of 822



REPAIR KITS & THEIR APPLICATIONS



| | | |
|---------------|--|--|
| 6052-G | MERCEDES NISSAN - DATSUN VOLKSWAGEN | VITO (W639) 9-03→ CABSTAR - ATLAS CRAFTER |
| 6053-G | LEXUS | RX |
| 6054-G | KIA | SPORTAGE |
| 6055-G | MERCEDES MERCEDES | M-CLASS (166) ML 06-11→ M-CLASS (W163) 2-98→6-05 |
| 6056-G | KIA | RIO |
| 6057-G | JEEP | GRAND CHEROKEE |
| 6058-G | AUDI VOLKSWAGEN | Q7 TOUAREG |
| 6059-G | PORSCHE | 944 |
| 6060-G | VOLKSWAGEN | TOUAREG |
| 6061-G | BMW BMW BMW | 5 SERIES (E34) 88→ 7 SERIES (E32) 87→ 8 SERIES (E31) 90→ |
| 6062-G | HYUNDAI KIA | ACCENT RIO |
| 6063-G | AUDI CHRYSLER CITROËN FIAT KIA MERCEDES MERCEDES MERCEDES MERCEDES MERCEDES MERCEDES MERCEDES MERCEDES PEUGEOT SKODA SUZUKI VOLKSWAGEN | A3 (8V SERIES) 04-12→ PT CRUISER DS4 SEDICI VENGA A-CLASS (W169) 09-04→ A-CLASS (W169) 09-04→ B-CLASS (W245) 03-05→ C-CLASS (S202-S203) 6-96→ C-CLASS (W203) 5-00→ C-CLASS COUPE (CL203) 03-01→ CLK (C208-C209) 6-97→ Vaneo (414) 2-02→ 407 OCTAVIA SX4 GOLF (VII SERIES) 11-12→ |
| 6064-G | MAZDA | RX7 |
| 6065-G | MERCEDES | C-CLASS (W202) 3-93→5-00 |
| 6066-G | CHEVROLET HYUNDAI KIA OPEL | CAPTIVA SANTA FÉ SORENTO ANTARA |
| 6067-G | MITSUBISHI SUBARU SUZUKI SUZUKI SUZUKI | i JUSTY ALTO IGNIS SWIFT |
| 6068-G | MITSUBISHI MITSUBISHI MITSUBISHI MITSUBISHI | L200 L300 MONTERO PAJERO |
| 6069-G | IVECO | EUROCARGO |
| 6070-G | HYUNDAI HYUNDAI HYUNDAI KIA NISSAN - DATSUN | ELANTRA i20 MATRIX RIO ALMERA |
| 6071-G | NISSAN - DATSUN | QASHQAI |

| | | |
|---------------|--|---|
| | NISSAN - DATSUN | X-TRAIL |
| 6073-G | LAND ROVER | FREELANDER |
| 6074-G | SEAT | 1500 |
| 6075-G | NISSAN - DATSUN NISSAN - DATSUN | 350Z MURANO |
| 6076-G | LADA LADA SEAT | 2101 - 2102 - 2103 - 2104 - 2105 - 2106 NIVA (2121) 124 - 128 - 1200 - 1430 - D - SPORT |
| 6077-G | CHRYSLER DODGE FIAT JAGUAR JAGUAR LANCIA | VOYAGER JOURNEY FREEMONT S-TYPE XJ - XJS VOYAGER LIMUSINA |
| 6078-G | MAZDA | 626 |
| 6079-G | TOYOTA TOYOTA TOYOTA | COROLLA (E12 SERIES) 03-01→05-04 COROLLA VERSO (E12 SERIES) 09-01→01-04 PRIUS |
| 6080-G | MERCEDES MERCEDES | T2-LN1 (BM667-668-669-670) 3-86→ VARIO 9-96→ |
| 6081-G | MITSUBISHI MITSUBISHI MITSUBISHI MITSUBISHI MITSUBISHI | COLT GALANT (IV SERIES) 11-87→03-93 LANCER (III SERIES C1-C3) 11-83→06-92 LANCER (IV SERIES C6-C7) 04-88→05-94 LANCER (V SERIES CB-CD) 06-92→09-00 |
| 6082-G | TOYOTA | COROLLA (E13 SERIES) 03-04→04-09 |
| 6083-G | FIAT FIAT OPEL TOYOTA TOYOTA | GRANDE PUNTO PUNTO (199 SERIES) CORSA (D SERIES) AURIS COROLLA (E15 SERIES) 11-06→ |
| 6084-G | MERCEDES VOLKSWAGEN | SPRINTER (906) 06→ CRAFTER |
| 6085-G | AUDI AUDI VOLKSWAGEN VOLKSWAGEN VOLKSWAGEN VOLVO VOLVO | A6 (C6 SERIES) 04→11 Q3 CC (358 SERIES) 11-11→ PASSAT (3C2 - 3C5) 03-05→ TIGUAN S60 - S80 XC70 |
| 6088-G | DAIHATSU | CUORE |
| 6089-G | MAZDA MAZDA | CX-7 CX-9 |
| 6090-G | AUDI | A8 (4D SERIES) 94→03 |
| 6091-G | TALBOT TALBOT | 1510 SOLARA |
| 6092-G | MAZDA | RX8 |
| 6093-G | FORD | CAPRI |
| 6094-G | KIA | CARNIVAL |
| 6095-G | NISSAN - DATSUN OPEL | PRIMASTAR VIVARO |
| 6096-G | CHRYSLER | PT CRUISER |
| 6097-G | HYUNDAI | ELANTRA |

MANUFACTURAS WRAKYNSON

www.wrakynson.com

Page 534 of 822



REPAIR KITS & THEIR APPLICATIONS



| | | |
|---------------|---|---|
| 6097-G | MERCEDES MERCEDES MERCEDES | A-CLASS (W169) 09-04→ B-CLASS (W245) 03-05→ Vaneo (414) 2-02→ |
| 6098-G | TOYOTA | COROLLA (E12 SERIES) 03-01→05-04 |
| 6099-G | CHRYSLER JEEP JEEP KIA | VOYAGER CHEROKEE GRAND CHEROKEE CARNIVAL |
| 6100-G | AUDI VOLKSWAGEN | Q7 TOUAREG |
| 6102-G | DACIA OPEL | LOGAN CORSA (C SERIES) |
| 6103-G | TOYOTA | HIACE |
| 6105-G | LEXUS TOYOTA TOYOTA TOYOTA TOYOTA | LX 4-RUNNER FJ CRUISER LAND CRUISER LAND CRUISER |
| 6106-G | LEXUS TOYOTA | LX LAND CRUISER |
| 6107-G | TOYOTA | HILUX |
| 6109-G | NISSAN - DATSUN NISSAN - DATSUN | 200SX SILVIA |
| 6110-G | MITSUBISHI | TREDIA - CORDIA |
| 6111-G | NISSAN - DATSUN NISSAN - DATSUN NISSAN - DATSUN NISSAN - DATSUN NISSAN - DATSUN | CUBE JUKE QASHQAI TIIDA X-TRAIL |
| 6112-G | NISSAN - DATSUN | BLUEBIRD |
| 6113-G | HOLDEN | TORANA |
| 6114-G | TOYOTA | LAND CRUISER |
| 6115-G | DAIHATSU TOYOTA TOYOTA TOYOTA | ROCKY COASTER BUS CROWN HIACE |
| 6116-G | MITSUBISHI | SPACE RUNNER |
| 6117-G | CITROËN PEUGEOT | ZX 405 |
| 6118-G | NISSAN - DATSUN | NAVARA |
| 6119-G | MITSUBISHI MITSUBISHI | MONTERO PAJERO |
| 6120-G | HOLDEN ISUZU | RŌDEO D-MAX |
| 6121-G | KIA | CARENS |
| 6122-G | FORD FORD FORD | FOCUS TOURNEO TRANSIT CONNECT |
| 6123-G | IVECO IVECO | DAILY (IV SERIES) 06-06→09-11 EUROCARGO |
| 6124-G | NISSAN - DATSUN NISSAN - DATSUN SUBARU SUBARU SUBARU SUBARU | NAVARA PATHFINDER FORESTER IMPREZA LEGACY (IV SERIES) 09-03→08-09 LEGACY (V SERIES) 09-09→ |

| | | |
|---------------|--|--|
| | SUBARU SUBARU | OUTBACK XV |
| 6125-G | RENAULT | MASTER |
| 6126-G | NISSAN - DATSUN | CABSTAR - ATLAS |
| 6127-G | AUDI AUDI AUDI AUDI AUDI AUDI AUDI LAND ROVER LAND ROVER | A4 (B8 SERIES) 08→ A5 A6 (C6 SERIES) 04→11 A6 (C7 SERIES) 11→ A8 (4E SERIES) 03→10 A8 (4H SERIES) 10→ Q5 RANGE ROVER RANGE ROVER SPORT |
| 6128-G | JEEP JEEP JEEP | CHEROKEE GRAND CHEROKEE WRANGLER |
| 6129-G | LAND ROVER | FREELANDER |
| 6131-G | SSANYONG SSANYONG | KORANDO MUSSO |
| 6132-G | TOYOTA | CAMRY |
| 6133-G | HYUNDAI | ACCENT |
| 6134-G | CITROËN TOYOTA | C4 AVENSIS |
| 6135-G | MITSUBISHI MITSUBISHI | CANTER ROSA |
| 6136-G | JEEP | CHEROKEE |
| 6137-G | CHRYSLER | VOYAGER |
| 6138-G | FORD | TRANSIT (I SERIES) 65→78 |
| 6139-G | ISUZU | D-MAX |
| 6140-G | LAND ROVER LAND ROVER SUBARU VOLKSWAGEN | RANGE ROVER RANGE ROVER SPORT IMPREZA TOUAREG |
| 6142-G | TALBOT | 160 - 180 - 2L |
| 6145-G | PEUGEOT | J7 - J9 |
| 6146-G | VOLKSWAGEN | TOUAREG |
| 6147-G | KIA | CARNIVAL |
| 6149-G | NISSAN - DATSUN OPEL RENAULT | NV400 MOVANO MASTER |
| 6150-G | NISSAN - DATSUN NISSAN - DATSUN NISSAN - DATSUN NISSAN - DATSUN NISSAN - DATSUN RENAULT | LEAF MURANO NAVARA PATHFINDER QASHQAI KOLEOS |
| 6151-G | MERCEDES MERCEDES MERCEDES MERCEDES MERCEDES VOLKSWAGEN VOLVO | E-CLASS (W211-S211) 3-02→ G-CLASS (W460-461-463) 79→ GL-CLASS (X164) 9-06→ M-CLASS (W164) 7-05→ R-CLASS (W251-V251) 1-06→ TRANSPORTER (V SERIES) 04-03→ XC60 |
| 6152-G | TOYOTA | MR2 |
| 6153-G | MERCEDES | M-CLASS (W163) 2-98→6-05 |
| 6154-G | HONDA | CIVIC (VIII SERIES) |

MANUFACTURAS WRAKYNSON

www.wrakynson.com

Page 535 of 822



REPAIR KITS & THEIR APPLICATIONS



| | | |
|---------------|-----------------|----------------------|
| 6154-G | HYUNDAI | i30 |
| | HYUNDAI | ix35 |
| | HYUNDAI | SONATA |
| | KIA | CEE 'D |
| | KIA | SPORTAGE |
| 6155-G | SUBARU | IMPREZA |
| 6156-G | MERCEDES | SPRINTER (906) 06→ |
| | VOLKSWAGEN | CRAFTER |
| 6157-G | HYUNDAI | i20 |
| 6158-G | MITSUBISHI | L200 |
| 6159-G | VOLKSWAGEN | CRAFTER |
| 6160-G | TOYOTA | LITEACE |
| 6162-G | TOYOTA | KLUGER |
| 6163-G | TOYOTA | IQ |
| | TOYOTA | YARIS |
| 6164-G | NISSAN - DATSUN | TIIDA |
| 6165-G | JEEP | CHEROKEE |
| 6166-G | TOYOTA | CAMRY |
| | TOYOTA | RAV-4 |
| 6167-G | JAGUAR | XF |
| | JAGUAR | XJ - XJS |
| | JAGUAR | XK SERIES |
| 6168-G | OPEL | FRONTERA |
| | OPEL | MONTEREY |
| 6170-G | CHEVROLET | AVEO |
| | CHEVROLET | CRUZE |
| | CHEVROLET | ORLANDO |
| | OPEL | ASTRA (J SERIES) |
| | OPEL | MOKKA |
| 6171-G | PEUGEOT | 405 |
| 6172-G | HONDA | CR-V (III SERIES) |
| 6173-G | ALFA ROMEO | 33 |
| | ALFA ROMEO | ALFASUD SPRINT |
| | BMW | Z1 |
| | CITROËN | SAXO |
| | CITROËN | XSARA |
| | DAEWOO | LANOS |
| | DAEWOO | NEXIA |
| | FIAT | DUNA |
| | FIAT | FIORINO |
| | FIAT | PALIO |
| | FIAT | PUNTO (176 SERIES) |
| | FORD | FIESTA |
| | FORD | KA |
| | LANCIA | Y10 - A112 - FIRE LX |
| | MAZDA | 121 |
| | OPEL | COMBO |
| | OPEL | CORSA (A SERIES) |
| | OPEL | CORSA (B SERIES) |
| | OPEL | TIGRA |
| | OPEL | VECTRA |
| | PEUGEOT | 106 |
| | PEUGEOT | 205 |
| | PEUGEOT | 306 |
| 6174-G | SEAT | 127 - FURA |
| | SEAT | 600 |
| 6175-G | TOYOTA | AURIS |

| | | |
|---------------|-----------------|--------------------------------|
| | TOYOTA | CAMRY |
| | TOYOTA | RAV-4 |
| 6176-G | TOYOTA | LAND CRUISER |
| 6177-G | JAGUAR | E-TYPE |
| | JAGUAR | XJ - XJS |
| | ROVER | 2.300 - 2.400 - 2.600 - 3.500 |
| 6178-G | AUDI | A6 (C7 SERIES) 11→ |
| | AUDI | A7 |
| | AUDI | Q5 |
| | FIAT | CROMA |
| | MERCEDES | A-CLASS (W176) 06-12→ |
| | MERCEDES | B-CLASS (W246) 11-11→ |
| | MERCEDES | C-CLASS (W204-S204) 1-07→ |
| | MERCEDES | C-CLASS (W204-S204) 1-07→ |
| | MERCEDES | E-CLASS (W212-S212) 01-09→ |
| | MERCEDES | E-CLASS CABRIO (A207) |
| | MERCEDES | E-CLASS COUPE (C207) 01-09→ |
| | MERCEDES | GLA (X156) 12-13→ |
| | MERCEDES | SLK (R172) 02-11→ |
| | SEAT | ALHAMBRA |
| | SKODA | OCTAVIA |
| | VOLKSWAGEN | CC (358 SERIES) 11-11→ |
| | VOLKSWAGEN | GOLF (VII SERIES) 11-12→ |
| 6179-G | TALBOT | DODGE DART |
| 6180-G | HYUNDAI | ix20 |
| | HYUNDAI | VELOSTER |
| 6181-G | HYUNDAI | TERRACAN |
| 6182-G | CHRYSLER | VOYAGER |
| | DODGE | JOURNEY |
| | DODGE | NITRO |
| | JEEP | CHEROKEE |
| | JEEP | WRANGLER |
| 6183-G | AUDI | A4 (B6 SERIES) 01→05 |
| | AUDI | A4 (B7 SERIES) 05→07 |
| | AUDI | A6 (C6 SERIES) 04→11 |
| | SEAT | EXEO |
| | SKODA | SUPERB |
| | VOLKSWAGEN | PASSAT (3B2 - 3B5) 08-96→12-01 |
| | VOLKSWAGEN | PASSAT (3B3 - 3B6) 11-00→05-05 |
| 6184-G | FIAT | GRANDE PUNTO |
| | FIAT | PUNTO (199 SERIES) |
| | OPEL | CORSA (D SERIES) |
| | TOYOTA | AURIS |
| | TOYOTA | COROLLA (E15 SERIES) 11-06→ |
| | TOYOTA | COROLLA (E18 SERIES) 10-12→ |
| 6185-G | ALFA ROMEO | 75 - 90 |
| 6186-G | OPEL | INSIGNIA |
| | SAAB | 9.5 |
| 6187-G | NISSAN - DATSUN | MURANO |
| | NISSAN - DATSUN | QASHQAI |
| | RENAULT | KOLEOS |
| 6188-G | FORD | GALAXY |
| | FORD | S-MAX |
| | LANCIA | THESIS |
| | RENAULT | GRAND SCENIC |
| | RENAULT | SCENIC |
| | VOLKSWAGEN | PASSAT (3C2 - 3C5) 03-05→ |

MANUFACTURAS WRKYNSON

www.wrakynson.com

Page 536 of 822



REPAIR KITS & THEIR APPLICATIONS



| | | |
|---------------|---|---|
| 6188-G | VOLVO VOLVO VOLVO | S60 - S80 XC60 XC70 |
| 6189-G | ISUZU ISUZU MITSUBISHI | ELF N SERIES CANTER |
| 6190-G | ROVER | TRIUMPH |
| 6191-G | LADA LADA | 2101 - 2102 - 2103 - 2104 - 2105 - 2106 NIVA (2121) |
| 6192-G | NISSAN - DATSUN | SUNNY - PULSAR - 100NX (B13 SERIES) |
| 6193-G | NISSAN - DATSUN NISSAN - DATSUN | PRESEA SUNNY - PULSAR - 100NX (B13 SERIES) |
| 6194-G | NISSAN - DATSUN NISSAN - DATSUN | BLUEBIRD DATSUN 100 - 2.200D SERIES |
| 6195-G | TOYOTA | YARIS |
| 6196-G | TOYOTA | SOLUNA VIOS |
| 6197-G | TOYOTA | HILUX |
| 6198-G | MERCEDES MERCEDES MERCEDES MERCEDES | C-CLASS (W203) 5-00→ C-CLASS COUPE (CL203) 03-01→ CLK (A208-A209) 3-98→ CLK (C208-C209) 6-97→ |
| 6199-G | NISSAN - DATSUN | VANETTE |
| 6200-G | AUDI SEAT SEAT SEAT SKODA VOLKSWAGEN VOLKSWAGEN VOLKSWAGEN | A3 (8P SERIES) 02→12 ALTEA LEON TOLEDO OCTAVIA GOLF (V SERIES) 10-03→02-09 GOLF (VI SERIES) 10-08→11-13 GOLF PLUS 01-05→ |
| 6201-G | OPEL | MERIVA |
| 6202-G | FORD | ESCORT - ORION |
| 6203-G | MITSUBISHI | SPACE STAR |
| 6204-G | DAEWOO | LEGANZA |
| 6205-G | CHRYSLER | PT CRUISER |
| 6206-G | MITSUBISHI | CARISMA |
| 6207-G | VOLKSWAGEN | LT SERIES |
| 6208-G | NISSAN - DATSUN | NAVARA |
| 6209-G | NISSAN - DATSUN | TERRANO |
| 6210-G | ISUZU | D-MAX |
| 6211-G | VOLKSWAGEN | CRAFTER |
| 6212-G | PEUGEOT | BOXER |
| 6213-G | JEEP | CHEROKEE |
| 6214-G | DAIHATSU | DELTA |
| 6215-G | BMW BMW BMW BMW BMW BMW | 1 SERIES (E81 - E87) 09-04→ 1 SERIES CABRIO (E88) 03-07→ 1 SERIES COUPE (E82) 09-07→ 3 SERIES (E90) 05→ 3 SERIES (E92) 6-06→ 3 SERIES (E93) 8-06→ 3 TOURING (E91) 05→ |
| 6216-G | AUDI | Q7 |
| 6217-G | AUDI JAGUAR JAGUAR | Q7 S-TYPE XJ - XJS |

| | | |
|---------------|--|--|
| | PORSCHE VOLKSWAGEN VOLVO VOLVO | 944 TOUAREG S60 - S80 S70 - V70 - C70 |
| 6218-G | RENAULT RENAULT | CLIO MEGANE |
| 6219-G | NISSAN - DATSUN | GT - R |
| 6220-G | AUDI AUDI | A6 (C7 SERIES) 11→ A7 |
| 6221-G | HYUNDAI | i10 |
| 6222-G | HOLDEN | COMMODORE |
| 6223-G | CHRYSLER | NEON |
| 6224-G | KIA | SOUL |
| 6225-G | LAND ROVER MERCEDES RENAULT RENAULT RENAULT | RANGE ROVER EVOQUE A-CLASS (W176) 06-12→ GRAND SCENIC MEGANE SCENIC |
| 6226-G | TOYOTA TOYOTA TOYOTA TOYOTA | IQ URBAN CRUISER VERSO YARIS |
| 6227-G | AUDI AUDI AUDI | A6 (C7 SERIES) 11→ A7 A8 (4H SERIES) 10→ |
| 6228-G | HYUNDAI KIA | i30 CEE 'D |
| 6229-G | HYUNDAI HYUNDAI HYUNDAI KIA | i30 ix20 VELOSTER PICANTO |
| 6230-G | CHRYSLER DODGE DODGE JEEP JEEP MITSUBISHI MITSUBISHI MITSUBISHI | SEBRING AVENGER CALIBER COMPASS PATRIOT ASX LANCER (VII SERIES CX-CY-CZ) 03-07→ OUTLANDER |
| 6231-G | PORSCHE | 356 |
| 6232-G | VOLKSWAGEN | TOUAREG |
| 6233-G | TOYOTA | AVALON |
| 6234-G | LAND ROVER LAND ROVER | RANGE ROVER RANGE ROVER SPORT |
| 6235-G | HONDA HONDA | CR-V (III SERIES) CR-V (IV SERIES) |
| 6236-G | SUBARU TOYOTA TOYOTA TOYOTA TOYOTA TOYOTA TOYOTA | TREZIA AURIS COROLLA (E15 SERIES) 11-06→ IQ PRIUS URBAN CRUISER YARIS |
| 6237-G | JAGUAR JAGUAR NISSAN - DATSUN | S-TYPE XJ - XJS 350Z |

MANUFACTURAS WRAKYNSON

www.wrakynson.com

Page 537 of 822



REPAIR KITS & THEIR APPLICATIONS



| | | |
|---------------|---|---|
| 6238-G | MERCEDES MERCEDES MERCEDES MERCEDES | C-CLASS (W204-S204) 1-07→ C-CLASS COUPE (C204) 06-11→ E-CLASS CABRIO (A207) E-CLASS COUPE (C207) 01-09→ |
| 6239-G | HONDA | ACCORD (VIII SERIES) 06-08→ |
| 6240-G | HONDA | ACCORD (VIII SERIES) 06-08→ |
| 6241-G | CHEVROLET OPEL OPEL OPEL OPEL | CRUZE AMPERA ASTRA (J SERIES) MOKKA ZAFIRA |
| 6242-G | HYUNDAI | i40 |
| 6243-G | KIA | CARENS |
| 6244-G | AUDI AUDI VOLKSWAGEN | A3 (8V SERIES) 04-12→ TT (FV SERIES) 14→ GOLF (VII SERIES) 11-12→ |
| 6245-G | MITSUBISHI | LANCER (VI SERIES CS-CT) 12-00→03-11 |
| 6246-G | HONDA | S2000 |
| 6247-G | CHEVROLET CHEVROLET OPEL OPEL | CRUZE ORLANDO ASTRA (J SERIES) ZAFIRA |
| 6248-G | SUBARU SUBARU SUBARU | FORESTER LEGACY (V SERIES) 09-09→ OUTBACK |
| 6249-G | HONDA | LEGEND |
| 6250-G | SUBARU | TRIBECA |
| 6251-G | AUDI BMW BMW BMW JAGUAR JAGUAR JAGUAR | A6 (C7 SERIES) 11→ X5 (E70) 02-07→ X5 (F15) X6 (E71 - E72) XF XJ - XJS XK SERIES |
| 6252-G | BMW BMW BMW BMW BMW BMW BMW | 1 SERIES (E81 - E87) 09-04→ 1 SERIES CABRIO (E88) 03-07→ 1 SERIES COUPE (E82) 09-07→ 3 SERIES (E90) 05→ 3 SERIES (E92) 6-06→ 3 SERIES (E93) 8-06→ 3 TOURING (E91) 05→ |
| 6253-G | MERCEDES MERCEDES | E-CLASS (W124-S124) 6-93→6-96 KOMBI T MODEL (S124) 9-85→06-93 |
| 6254-G | HYUNDAI | H1 |
| 6255-G | FORD | TERRITORY |
| 6256-G | BMW | X5 (E53) 01→ |
| 6257-G | AUDI VOLKSWAGEN | A3 (8V SERIES) 04-12→ GOLF (VII SERIES) 11-12→ |
| 6258-G | CHRYSLER | 300C |
| 6259-G | HYUNDAI HYUNDAI KIA | GENESIS SANTA FÉ SORENTO |
| 6260-G | MAZDA | E1 - E2 (VAN - WAGON - PICK-UP) |
| 6261-G | NISSAN - DATSUN NISSAN - DATSUN | 280ZX MAXIMA |

| | | |
|---------------|---|--|
| 6262-G | HYUNDAI | H1 |
| 6263-G | JAGUAR JAGUAR | E-TYPE XJ - XJS |
| 6264-G | HYUNDAI | ix55 |
| 6265-G | CHRYSLER DODGE FIAT JAGUAR JAGUAR LANCIA | VOYAGER JOURNEY FREEMONT S-TYPE XJ - XJS VOYAGER LIMUSINA |
| 6266-G | NISSAN - DATSUN | 370Z |
| 6267-G | NISSAN - DATSUN | 370Z |
| 6268-G | LEXUS | IS |
| 6269-G | LEXUS LEXUS TOYOTA | GS IS CROWN |
| 6270-G | AUDI AUDI AUDI AUDI | A4 (B5 SERIES) 94→01 A6 (C5 SERIES) 97→04 A8 (4D SERIES) 94→03 ALLROAD |
| 6271-G | AUDI AUDI AUDI AUDI AUDI VOLKSWAGEN | 100 (C4 SERIES) 90→95 A4 (B5 SERIES) 94→01 A6 (C4 SERIES) 94→97 A6 (C5 SERIES) 97→04 A8 (4D SERIES) 94→03 PHAETON |
| 6272-G | MERCEDES MERCEDES MERCEDES MERCEDES | CLK (C208-C209) 6-97→ E-CLASS (W211-S211) 3-02→ S-CLASS (W220) 10-98→08-05 SLK (R170) 4-96→4-04 |
| 6273-G | BMW BMW BMW | 5 SERIES (F10 - F11 - F18) 03-10→ 6 SERIES (F06) 09-11→ 6 SERIES (F12 - F13) 06-11→ |
| 6274-G | FORD FORD FORD | FAIRLANE FALCON LTD |
| 6275-G | MERCEDES | GLK - CLASS (X204) 6-08→ |
| 6276-G | HYUNDAI | GENESIS |
| 6277-G | TOYOTA | HILUX |
| 6278-G | HONDA | CIVIC (VIII SERIES) |
| 6279-G | FORD FORD | F250 F350 |
| 6280-G | KIA | SORENTO |
| 6281-G | FORD MAZDA | EXPLORER B SERIES |
| 6282-G | HYUNDAI | H100 (VAN) |
| 6283-G | HYUNDAI | ix55 |
| 6284-G | TOYOTA | IQ |
| 6285-G | CITROËN CITROËN JEEP JEEP PEUGEOT SUZUKI | C2 C3 CHEROKEE WRANGLER 405 SJ410 - SJ413 - SAMURAI |
| 6286-G | FORD VOLKSWAGEN | TRANSIT (V SERIES) 06→13 AMAROK |



REPAIR KITS & THEIR APPLICATIONS



| | | |
|---------------|-----------------|--------------------------------------|
| 6287-G | IVECO | DAILY (IV SERIES) 06-06→09-11 |
| 6288-G | NISSAN - DATSUN | NV400 |
| | OPEL | MOVANO |
| | RENAULT | MASTER |
| 6289-G | FIAT | 500 |
| | FIAT | PANDA - MARBELLA |
| | FORD | KA |
| 6290-G | HYUNDAI | H1 |
| 6291-G | POLSKI | POLONEZ |
| 6292-G | JEEP | COMMANDER |
| | JEEP | GRAND CHEROKEE |
| 6293-G | KIA | RIO |
| 6294-G | NISSAN - DATSUN | 200SX |
| | NISSAN - DATSUN | BLUEBIRD |
| | NISSAN - DATSUN | LAUREL |
| | NISSAN - DATSUN | SUNNY - PULSAR - 100NX (B13 SERIES) |
| 6295-G | DAIHATSU | CHARMANT |
| | MAZDA | 323 (FA SERIES) 01-77→05-86 |
| | MAZDA | RX5 |
| | MAZDA | RX7 |
| | TOYOTA | CARINA |
| | TOYOTA | CELICA |
| | TOYOTA | COROLLA (KE - TE SERIES) 02-70→11-81 |
| | TOYOTA | CORONA |
| 6296-G | NISSAN - DATSUN | PIXO |
| 6297-G | DAIHATSU | COPEN |
| | DAIHATSU | SIRION |
| | SUBARU | JUSTY |
| 6298-G | KIA | PICANTO |
| 6299-G | NISSAN - DATSUN | SKYLINE |
| | NISSAN - DATSUN | STANZA |
| 6300-G | DAIHATSU | EXTOL VAN |
| 6301-G | FORD | TELSTAR |
| 6302-G | TOYOTA | PRIUS |
| 6303-G | FORD | FIESTA |
| | MAZDA | 2 |
| 6304-G | CHRYSLER | NEON |
| 6305-G | FIAT | IDEA |
| | FIAT | MULTIPLA |
| | FIAT | PALIO |
| 6306-G | CHEVROLET | AVEO |
| 6307-G | FORD | FOCUS |
| 6308-G | DAIHATSU | SIRION |
| | SUBARU | JUSTY |
| 6309-G | FORD | F250 |
| | FORD | F350 |
| 6310-G | TOYOTA | YARIS |
| 6311-G | LEXUS | CT200H |
| | TOYOTA | PRIUS |
| 6312-G | MAZDA | 6 |
| 6313-G | AUDI | A4 (B8 SERIES) 08→ |
| | AUDI | A5 |
| 6314-G | CHRYSLER | SEBRING |
| | DODGE | CALIBER |
| | JEEP | COMPASS |

| | | |
|---------------|-----------------|---|
| | JEEP | PATRIOT |
| 6315-G | HYUNDAI | i30 |
| | HYUNDAI | ix20 |
| | HYUNDAI | VELOSTER |
| | KIA | CEE'D |
| 6316-G | HYUNDAI | COUPE |
| 6317-G | NISSAN - DATSUN | LANCER (VII SERIES CX-CY-CZ) 03-07→ |
| | MITSUBISHI | OUTLANDER |
| 6318-G | NISSAN - DATSUN | CUBE |
| | NISSAN - DATSUN | JUKE |
| | NISSAN - DATSUN | LEAF |
| | NISSAN - DATSUN | TEANA |
| | NISSAN - DATSUN | TIIDA |
| 6319-G | MERCEDES | C-CLASS (S202-S203) 6-96→ |
| | MERCEDES | C-CLASS (W203) 5-00→ |
| | MERCEDES | CLC-CLASS (203) 5-08→ |
| | MERCEDES | CLK (A208-A209) 3-98→ |
| | MERCEDES | CLK (C208-C209) 6-97→ |
| | MERCEDES | SLK (R171) 3-04→ |
| 6320-G | SUBARU | TREZIA |
| | TOYOTA | AURIS |
| | TOYOTA | COROLLA (E14 SERIES) 09-06→ |
| | TOYOTA | COROLLA (E15 SERIES) 11-06→ |
| | TOYOTA | URBAN CRUISER |
| 6321-G | BMW | 5 GRAN TURISMO (F07) 10-09→ |
| | BMW | 5 SERIES (F10 - F11 - F18) 03-10→ |
| | BMW | 7 SERIES (F01 - F02 - F03 - F04) 10-08→ |
| | JAGUAR | XF |
| | JAGUAR | XJ - XJS |
| 6322-G | TOYOTA | HILUX |
| 6323-G | OPEL | ASTRA (J SERIES) |
| | OPEL | INSIGNIA |
| | SAAB | 9.5 |
| 6324-G | HOLDEN | FRONTERA |
| | HOLDEN | RODEO |
| 6325-G | HYUNDAI | i40 |
| | HYUNDAI | ix35 |
| | HYUNDAI | SONATA |
| 6326-G | SSANYONG | KORANDO |
| | SSANYONG | MUSSO |
| 6327-G | NISSAN - DATSUN | NV400 |
| | OPEL | MOVANO |
| | RENAULT | MASTER |
| 6328-G | HYUNDAI | GRANDEUR |
| 6329-G | FORD | FAIRLANE |
| | FORD | FALCON |
| | FORD | LTD |
| 6330-G | FORD | FALCON |
| 6331-G | FORD | FAIRLANE |
| | FORD | FALCON |
| | FORD | LANDAU |
| | FORD | LTD |
| | MITSUBISHI | CENTURA |
| 6332-G | FORD | FAIRLANE |
| | FORD | FALCON |



REPAIR KITS & THEIR APPLICATIONS



| | | |
|---------------|-----------------|---|
| 6333-G | MITSUBISHI | L200 |
| | NISSAN - DATSUN | NV200 |
| 6334-G | LEXUS | ES |
| | TOYOTA | CAMRY |
| 6335-G | LEXUS | RX |
| | TOYOTA | KLUGER |
| | TOYOTA | PREVIA |
| | TOYOTA | PREVIA |
| 6336-G | HYUNDAI | GENESIS |
| 6337-G | NISSAN - DATSUN | MURANO |
| 6338-G | MAZDA | TRIBUTE |
| 6339-G | TOYOTA | HIACE |
| 6340-G | NISSAN - DATSUN | PICK-UP |
| 6341-G | DAF | 44 - 55 - 66 |
| | VOLVO | 66 |
| 6342-G | SEAT | PANDA TRANS - TERRA - MARBELLA |
| 6343-G | MITSUBISHI | TREDIA - CORDIA |
| 6344-G | SEAT | RITMO - RONDA |
| 6345-G | SMART | CITY COUPE |
| 6346-G | LADA | 110 - 111 - 112 |
| | LADA | 1200 - 1300 - 1500 - 1600 |
| | LADA | KALINA |
| | LADA | NIVA (2121) |
| | LADA | NIVA (2123) |
| | LADA | NOVA |
| | LADA | SAMARA (2108 - 2109) - FORMA (21099) |
| 6347-G | LADA | 110 - 111 - 112 |
| | LADA | 1200 - 1300 - 1500 - 1600 |
| | LADA | KALINA |
| | LADA | NIVA (2121) |
| | LADA | NIVA (2123) |
| | LADA | NOVA |
| | LADA | SAMARA (2108 - 2109) - FORMA (21099) |
| 6348-G | PEUGEOT | 305 |
| 6349-G | FORD | ESCORT - ORION |
| 6350-G | NISSAN - DATSUN | CIVILIAN - CAVALLIER - CLIPPER |
| 6351-G | MAZDA | 6 |
| 6352-G | ALFA ROMEO | 1.750 - 2.000 |
| | ALFA ROMEO | SPIDER |
| 6353-G | BMW | 3 SERIES (E36) 91→ |
| | BMW | Z3 |
| 6354-G | OPEL | FRONTERA |
| 6355-G | TOYOTA | CAMRY |
| 6356-G | BMW | 1502 - 2002TII (02) (E10 - E6) 66→77 |
| 6357-G | MAZDA | 623 |
| 6358-G | MAZDA | 323 (BJ SERIES) 05-98→05-04 |
| | MAZDA | 6 |
| | MAZDA | 626 |
| | MAZDA | PREMACY |
| | MAZDA | RX8 |
| 6359-G | VOLKSWAGEN | 1.200 - 1.300 - 1.500 - 1.600 BEETLE |
| 6360-G | FORD | TAUNUS |
| 6361-G | FORD | TAUNUS |
| 6362-G | LAND ROVER | RANGE ROVER |
| 6363-G | GREAT WALL | HOVER |

| | | |
|----------------|-----------------|--------------------------------|
| 6364-G | GREAT WALL | HOVER |
| 6365-G | KIA | RIO |
| 6366-G | INFINITI | QX56 |
| | NISSAN - DATSUN | ARMADA |
| | NISSAN - DATSUN | PATHFINDER |
| | NISSAN - DATSUN | TITAN |
| 6367-G | NISSAN - DATSUN | PATROL |
| | NISSAN - DATSUN | SAFARI |
| 6368-G | INFINITI | QX56 |
| | NISSAN - DATSUN | ARMADA |
| | NISSAN - DATSUN | TITAN |
| 6369-G | ACURA | CL |
| | HONDA | ACCORD (V SERIES) 03-93→10-98 |
| | HONDA | ACCORD (VI SERIES) 03-97→12-03 |
| 6370-G | CHRYSLER | 300C |
| | DODGE | CHALLENGER |
| | DODGE | CHARGER |
| | DODGE | MAGNUM |
| 6371-G | LEXUS | IS |
| | TOYOTA | CAMRY |
| 6372-G | HOLDEN | HX SERIES |
| | HOLDEN | HZ SERIES |
| | HOLDEN | TORANA |
| | MITSUBISHI | VALIANT |
| 6373-G | AUDI | A4 (B7 SERIES) 05→07 |
| | AUDI | A6 (C6 SERIES) 04→11 |
| | AUDI | R8 |
| 6374-G | HYUNDAI | SOLARIS |
| | KIA | RIO |
| 6375-G | MAZDA | CX-5 |
| 6376-G | MAZDA | 6 |
| 6377-G | FORD | FAIRLANE |
| | FORD | FALCON |
| | FORD | LTD |
| 6378-G | INFINITI | EX |
| | INFINITI | FX |
| | INFINITI | G |
| | INFINITI | M |
| | INFINITI | Q70 |
| 6379-G | NISSAN - DATSUN | PATROL |
| | NISSAN - DATSUN | SAFARI |
| 6380-G | HONDA | CIVIC (VIII SERIES) |
| 6381-G | MAZDA | 6 |
| 6382-G | IVECO | DAILY (IV SERIES) 06-06→09-11 |
| | IVECO | EUROCARGO |
| 6383-G | IVECO | DAILY (IV SERIES) 06-06→09-11 |
| | IVECO | EUROCARGO |
| 6384-G | HONDA | ACCORD (VI SERIES) 03-97→12-03 |
| 6385-G | HONDA | ACCORD (VI SERIES) 03-97→12-03 |
| 10109 | RENAULT | R16 |
| | RENAULT | R4 |
| 10114-G | PEUGEOT | 504 |
| 10117 | PEUGEOT | 404 |
| | PEUGEOT | 504 |
| | PEUGEOT | 505 |
| | PEUGEOT | 604 |

MANUFACTURAS WRAKYNSON

www.wrakynson.com

Page 540 of 822



REPAIR KITS & THEIR APPLICATIONS



| | | |
|--------------------|--|--|
| 10117 | PEUGEOT U.M.M. | J7 - J9 JABATO |
| 10118-G | BEDFORD - BERLIET | BEDFORD |
| 10119-G | BEDFORD - BERLIET | BEDFORD |
| 10120 | PEUGEOT PEUGEOT | 204 304 |
| 10123 | PEUGEOT PEUGEOT | 204 304 |
| 10128-GVARO | PEUGEOT | 240 - 244 J7 - J9 |
| 10146 | PEUGEOT | 204 |
| 10148 | PEUGEOT | 404 |
| 10150-G | PEUGEOT PEUGEOT PEUGEOT | 204 304 404 |
| 10153 | PEUGEOT PEUGEOT PEUGEOT PEUGEOT PEUGEOT PEUGEOT PEUGEOT RENAULT U.M.M. | 204 304 504 505 604 J7 - J9 TRAFIC JABATO |
| 10156 | CITROËN PEUGEOT U.M.M. | H - HZ - HY 404 JABATO |
| 10156-G | PEUGEOT | 404 |
| 10159 | PEUGEOT PEUGEOT | 404 504 |
| 10163-G | ARO | 240 - 244 |
| 10164 | VOLVO TRUCKS | F SERIES |
| 10165-G | PEUGEOT PEUGEOT | 404 504 |
| 10166-G | PEUGEOT PEUGEOT | 404 504 |
| 10167-G | PEUGEOT | 404 |
| 10168-G | CHRYSLER PEUGEOT PEUGEOT PEUGEOT | VOYAGER 204 304 404 |
| 10172-G | PEUGEOT | 404 |
| 10173-G | MERCEDES MERCEDES PEUGEOT PEUGEOT PEUGEOT PEUGEOT RENAULT | CABRIOLET HECKFLOSSE (W110-W111) 59→72 T2-L (BM309-310) 1-68→12-88 204 304 305 404 TRAFIC |
| 10174-G | CITROËN PEUGEOT PEUGEOT RENAULT | H - HZ - HY 404 J7 - J9 ESTAFETTE |
| 10175-G | PEUGEOT PEUGEOT PEUGEOT | 404 504 505 |
| 10177-G | PEUGEOT | 504 |

| | | |
|--------------------|---|---|
| 10180-G | U.M.M. | JABATO |
| 10181-G | U.M.M. | JABATO |
| 10182-G | U.M.M. | JABATO |
| 10183-G | DAF DAF FORD FORD IVECO ROVER | V200 FREIGHT - SHERPA V400 TRANSIT (II SERIES) 78→86 TRANSIT (III SERIES) 86→00 DAILY (I SERIES) 06-78→12-89 2.300 - 2.400 - 2.600 - 3.500 |
| 10184-G | DAF FORD ROVER | V200 FREIGHT - SHERPA TRANSIT (III SERIES) 86→00 TRIUMPH |
| 10185-GVARO | | 240 - 244 |
| 10186-G | LAND ROVER | 88 - 109 |
| 10190-G | LAND ROVER | 88 - 109 |
| 10191-G | LAND ROVER SANTANA - LAND ROVER | 88 - 109 LAND - ROVER 109 - CAZORLA |
| 10195 | U.M.M. | JABATO |
| 10197-G | ISUZU ISUZU ISUZU | CHEVROLET LUV PICK - UP FASTER (PICK-UP - KB - KBG - KBD) TROOPER |
| 10198-G | ISUZU OPEL | SETA MIDI |
| 10200 | ISUZU ISUZU ISUZU ISUZU ISUZU ISUZU MAZDA | CHEVROLET LUV PICK - UP FARGO FASTER (PICK-UP - KB - KBG - KBD) GEMINI SETA TROOPER 323 (BG SERIES) 04-87→09-00 |
| 10202 | VOLVO TRUCKS | F SERIES |
| 10203-G | FORD FORD | SIERRA TRANSIT (III SERIES) 86→00 |
| 10215-G | OPEL | REKORD |
| 10217-G | MITSUBISHI MITSUBISHI NISSAN - DATSUN NISSAN - DATSUN NISSAN - DATSUN NISSAN - DATSUN | COLT LANCER (II SERIES A17) 03-83→09-86 BLUEBIRD CHERRY STANZA VANETTE |
| 10218-G | RENAULT | R.V.I (RENAULT TRUCKS) |
| 10219-G | RENAULT | R.V.I (RENAULT TRUCKS) |
| 10220-G | RENAULT | R.V.I (RENAULT TRUCKS) |
| 10221-G | U.M.M. | JABATO |
| 10222-G | NISSAN - DATSUN | DATSUN 100 - 2.200D SERIES |
| 10223-G | NISSAN - DATSUN | DATSUN 100 - 2.200D SERIES |
| 10225-G | NISSAN - DATSUN | DATSUN 100 - 2.200D SERIES |
| 10227-G | NISSAN - DATSUN NISSAN - DATSUN NISSAN - DATSUN NISSAN - DATSUN NISSAN - DATSUN NISSAN - DATSUN NISSAN - DATSUN NISSAN - DATSUN NISSAN - DATSUN | 140 2TON TRUCK 300ZX A10 BLUEBIRD C120 CABSTAR - ATLAS CEDRIC CIVILIAN - CAVALLIER - CLIPPER |



REPAIR KITS & THEIR APPLICATIONS



| | | |
|----------------|-----------------|---|
| 10227-G | NISSAN - DATSUN | E 20 |
| | NISSAN - DATSUN | F 10 |
| | NISSAN - DATSUN | LAUREL |
| | NISSAN - DATSUN | PATROL |
| | NISSAN - DATSUN | PICK-UP |
| | NISSAN - DATSUN | PRAIRIE |
| | NISSAN - DATSUN | SKYLINE |
| | NISSAN - DATSUN | STANZA |
| | NISSAN - DATSUN | URVAN |
| | NISSAN - DATSUN | VANETTE |
| 10228-G | NISSAN - DATSUN | DATSUN 100 - 2.200D SERIES |
| 10231-G | NISSAN - DATSUN | DATSUN 100 - 2.200D SERIES |
| | NISSAN - DATSUN | PICK-UP |
| 10232-G | NISSAN - DATSUN | DATSUN 100 - 2.200D SERIES |
| 10234-G | MITSUBISHI | GALANT (II SERIES) 09-80→05-84 |
| | MITSUBISHI | L200 |
| | MITSUBISHI | LANCER (I SERIES A17) 09-79→02-83 |
| | MITSUBISHI | MONTERO |
| | MITSUBISHI | PAJERO |
| | MITSUBISHI | SAPORO |
| 10235-G | MITSUBISHI | COLT |
| | MITSUBISHI | GALANT (III SERIES) 10-83→04-90 |
| | MITSUBISHI | SPACE WAGON |
| | MITSUBISHI | TREDIA - CORDIA |
| 10236-G | DAIHATSU | CHARMANT |
| | TOYOTA | 1000 SEDAN |
| | TOYOTA | CAMRY |
| | TOYOTA | CARINA |
| | TOYOTA | CELICA |
| | TOYOTA | COROLLA (KE - TE SERIES) 02-70→11-81 |
| | TOYOTA | CORONA |
| | TOYOTA | LITEACE |
| 10237-G | DAIHATSU | CHARMANT |
| | TOYOTA | CAMRY |
| | TOYOTA | CARINA |
| | TOYOTA | CELICA |
| | TOYOTA | COROLLA (E8 SERIES) 05-83→06-89 |
| | TOYOTA | COROLLA (KE - TE SERIES) 02-70→11-81 |
| | TOYOTA | CORONA |
| | TOYOTA | F-MODEL |
| | TOYOTA | LITEACE |
| 10239-G | TOYOTA | DYNA |
| | TOYOTA | HIACE |
| | TOYOTA | HILUX |
| 10240-G | TOYOTA | CRESSIDA |
| 10241 | HYUNDAI | H100 (VAN) |
| | TOYOTA | HIACE |
| | TOYOTA | HILUX |
| | TOYOTA | STARLET |
| 10243 | DAIHATSU | CHARMANT |
| | DAIHATSU | DELTA |
| | TOYOTA | 4-RUNNER |
| | TOYOTA | AVENSIS |
| | TOYOTA | CAMRY |

| | | |
|----------------|-------------------|--|
| | TOYOTA | CARINA |
| | TOYOTA | CELICA |
| | TOYOTA | COASTER BUS |
| | TOYOTA | COROLLA (E8 SERIES) 05-83→06-89 |
| | TOYOTA | CORONA |
| | TOYOTA | CRESSIDA |
| | TOYOTA | CROWN |
| | TOYOTA | DYNA |
| | TOYOTA | F-MODEL |
| | TOYOTA | HIACE |
| | TOYOTA | HILUX |
| | TOYOTA | LAND CRUISER |
| | TOYOTA | LITEACE |
| | TOYOTA | PASEO |
| | TOYOTA | STARLET |
| | TOYOTA | STOUT |
| 10245-G | PEUGEOT | 404 |
| 10248-G | BEDFORD - BERLIET | BERLIET |
| 10250 | DAEWOO | RACER - TICO |
| | OPEL | ASCONA - MANTA |
| | OPEL | CORSA (A SERIES) |
| | OPEL | KADETT |
| | OPEL | OMEGA |
| | OPEL | REKORD |
| 10250-G | OPEL | CORSA (A SERIES) |
| | OPEL | KADETT |
| 10253 | MAZDA | 623 |
| 10254 | MAZDA | 623 |
| 10256 | CITROËN | C15 |
| | CITROËN | VISA - LNA |
| | CITROËN | ZX |
| | PEUGEOT | 205 |
| | PEUGEOT | 309 |
| 10259-G | TOYOTA | HEAVY DUTY TRUCK |
| 10260-G | PEYKAN | PEYKAN |
| 10261-G | PEYKAN | PEYKAN |
| 10262-G | PEYKAN | PEYKAN |
| | ROVER | MG MGB |
| 10263-G | PEYKAN | PEYKAN |
| 10264-G | PEYKAN | PEYKAN |
| 10265-G | PEYKAN | PEYKAN |
| 10266-G | PEYKAN | PEYKAN |
| 10267-G | PEYKAN | PEYKAN |
| 10276-G | MITSUBISHI | L300 |
| | MITSUBISHI | LANCER (III SERIES C1-C3) 11-83→06-92 |
| | MITSUBISHI | MONTERO |
| | MITSUBISHI | PAJERO |
| 10278-G | CHRYSLER | NEON |
| 10279-G | JEEP | CHEROKEE |
| 10280-G | JEEP | CHEROKEE |
| | JEEP | GRAND CHEROKEE |
| | JEEP | WRANGLER |
| | VOLKSWAGEN | CADDY |
| | VOLKSWAGEN | GOLF (I SERIES) 04-74→12-85 |
| | VOLKSWAGEN | JETTA (I SERIES) 08-78→02-84 |



REPAIR KITS & THEIR APPLICATIONS



| | | |
|--------------|------------|-------------------------------------|
| 10520 | FORD | FOCUS |
| | FORD | GALAXY |
| | FORD | KUGA |
| | FORD | MONDEO |
| | FORD | S-MAX |
| | HONDA | ACCORD (VI SERIES) 03-97→12-03 |
| | HONDA | ACCORD (VII SERIES) 02-03→ |
| | LANCIA | KAPPA |
| | LANCIA | LYBRA |
| | LANCIA | PHEDRA |
| | MITSUBISHI | CARISMA |
| | MITSUBISHI | SPACE STAR |
| | OPEL | ASTRA (G SERIES) |
| | OPEL | ASTRA (H SERIES) |
| | OPEL | COMBO |
| | OPEL | MERIVA |
| | OPEL | ZAFIRA |
| | PEUGEOT | 1007 |
| | PEUGEOT | 207 |
| | PEUGEOT | 3008 |
| | PEUGEOT | 307 |
| | PEUGEOT | 308 |
| | PEUGEOT | 407 |
| | PEUGEOT | 5008 |
| | PEUGEOT | 607 |
| | PEUGEOT | 807 |
| | PEUGEOT | PARTNER |
| | RENAULT | AVANTIME |
| | RENAULT | CLIO |
| | RENAULT | ESPACE |
| | RENAULT | GRAND SCENIC |
| | RENAULT | KANGOO |
| | RENAULT | MEGANE |
| | RENAULT | SCENIC |
| | SEAT | ALHAMBRA |
| | SEAT | ALTEA |
| | SEAT | IBIZA |
| | SEAT | LEON |
| | SEAT | TOLEDO |
| | SKODA | FABIA |
| | SKODA | OCTAVIA |
| | SKODA | RAPID |
| | SKODA | ROOMSTER |
| | SKODA | SUPERB |
| | SKODA | YETI |
| | TOYOTA | AVENSIS |
| | TOYOTA | COROLLA (E11 SERIES) 04-97→06-02 |
| | VOLKSWAGEN | BORA |
| | VOLKSWAGEN | EOS |
| | VOLKSWAGEN | GOLF (IV SERIES) 08-97→06-05 |
| | VOLKSWAGEN | GOLF (V SERIES) 10-03→02-09 |
| | VOLKSWAGEN | GOLF (VI SERIES) 10-08→11-13 |
| | VOLKSWAGEN | GOLF PLUS 01-05→ |
| | VOLKSWAGEN | JETTA (III SERIES) 08-05→10-10 |
| | VOLKSWAGEN | JETTA (IV SERIES) 04-10→ |
| | VOLKSWAGEN | NEW BEETLE |

| | | |
|--------------|-----------------|---|
| | VOLKSWAGEN | PASSAT (3B2 - 3B5) 08-96→12-01 |
| | VOLKSWAGEN | PASSAT (3B3 - 3B6) 11-00→05-05 |
| | VOLKSWAGEN | SHARAN |
| | VOLKSWAGEN | TRANSPORTER (IV SERIES) 07-90→04-03 |
| | VOLVO | S40 - V40 - V50 |
| 10521 | ALFA ROMEO | 164 |
| | AUDI | 100 (C3 SERIES) 82→90 |
| | AUDI | 100 (C4 SERIES) 90→95 |
| | AUDI | 200 |
| | AUDI | 80 - 90 (B3 SERIES) 86→91 |
| | AUDI | A6 (C4 SERIES) 94→97 |
| | AUDI | A8 (4D SERIES) 94→03 |
| | AUDI | CABRIOLET |
| | AUDI | COUPE |
| | AUDI | QUATTRO |
| | FIAT | CROMA |
| | LANCIA | THEMA - GAMMA |
| | PEUGEOT | 405 |
| | SEAT | CORDOBA |
| | SEAT | IBIZA |
| | SEAT | TOLEDO |
| | VOLKSWAGEN | CORRADO |
| | VOLKSWAGEN | GOLF (II SERIES) 08-83→12-92 |
| | VOLKSWAGEN | GOLF (III SERIES) 08-91→07-98 |
| | VOLKSWAGEN | JETTA (II SERIES) 08-83→12-92 |
| | VOLKSWAGEN | PASSAT (32B) 11-79→06-89 |
| | VOLKSWAGEN | PASSAT (3A2 - 35I - 3A5 - 35I) 02-88→12-97 |
| | VOLKSWAGEN | VENTO |
| 10522 | NISSAN - DATSUN | ALMERA |
| | NISSAN - DATSUN | PRIMERA |
| 10523 | AUDI | 100 (C4 SERIES) 90→95 |
| | AUDI | 80 (B4 SERIES) 91→95 |
| | AUDI | A4 (B5 SERIES) 94→01 |
| | AUDI | A6 (C4 SERIES) 94→97 |
| | AUDI | CABRIOLET |
| | FORD | GALAXY |
| | SEAT | ALHAMBRA |
| | SEAT | CORDOBA |
| | SEAT | IBIZA |
| | SEAT | TOLEDO |
| | VOLKSWAGEN | GOLF (III SERIES) 08-91→07-98 |
| | VOLKSWAGEN | GOLF (IV SERIES) 08-97→06-05 |
| | VOLKSWAGEN | PASSAT (3A2 - 35I - 3A5 - 35I) 02-88→12-97 |
| | VOLKSWAGEN | POLO (III SERIES) 09-94→10-01 |
| | VOLKSWAGEN | SHARAN |
| | VOLKSWAGEN | VENTO |
| | VOLVO | S40 - V40 - V50 |
| 10524 | DAF | V200 FREIGHT - SHERPA |
| | DAF | V400 |
| | FORD | TRANSIT (II SERIES) 78→86 |
| | FORD | TRANSIT (III SERIES) 86→00 |
| | IVECO | DAILY (I SERIES) 06-78→12-89 |
| | LAND ROVER | 90 - 110 |
| | LAND ROVER | DEFENDER |
| | LAND ROVER | DISCOVERY |



REPAIR KITS & THEIR APPLICATIONS



| | | |
|--------------|---|--|
| 10524 | LAND ROVER ROVER | RANGE ROVER 2.300 - 2.400 - 2.600 - 3.500 |
| 10525 | FORD FORD | TRANSIT (III SERIES) 86→00 TRANSIT TOURNEO |
| 10526 | FORD | TRANSIT (III SERIES) 86→00 |
| 10527 | FORD FORD FORD FORD | ESCORT - ORION GRANADA - CONSUL SCORPIO SIERRA |
| 10528 | MAZDA NISSAN - DATSUN NISSAN - DATSUN NISSAN - DATSUN NISSAN - DATSUN | RX8 280ZX 300ZX FAIRLADY SILVIA |
| 10529 | RENAULT RENAULT RENAULT RENAULT RENAULT | CLIO EXPRESS R4 R5 - R6 SUPER 5 TWINGO |
| 10530 | OPEL OPEL OPEL OPEL | ASCONA - MANTA CORSA (A SERIES) KADETT REKORD |
| 10531 | OPEL OPEL | ASCONA - MANTA REKORD |
| 10532 | OPEL OPEL OPEL OPEL OPEL OPEL OPEL OPEL | ASCONA - MANTA COMBO CORSA (A SERIES) KADETT REKORD SENATOR - MONZA VECTRA |
| 10533 | CITROËN CITROËN DAEWOO DAEWOO OPEL OPEL OPEL OPEL OPEL OPEL OPEL PEUGEOT PEUGEOT PEUGEOT | SAXO XSARA LANOS NEXIA ASTRA (F SERIES) COMBO CORSA (A SERIES) CORSA (B SERIES) TIGRA VECTRA 106 205 306 |
| 10534 | CITROËN CITROËN CITROËN PEUGEOT PEUGEOT PEUGEOT PEUGEOT PEUGEOT PEUGEOT PEUGEOT PEUGEOT RENAULT RENAULT | AX SAXO ZX 106 205 305 306 309 405 R18 R21 - NEVADA |

| | | |
|--------------|---|---|
| | RENAULT RENAULT | R9 - R11 SUPER 5 |
| 10535 | FIAT FIAT FIAT FORD FORD MAZDA | DUNA FIORINO PALIO FIESTA KA 121 |
| 10536 | ALFA ROMEO ALFA ROMEO FIAT FIAT FIAT LANCIA LANCIA | 155 33 TEMPRA TIPO UNO DEDRA DELTA - PRISMA |
| 10537 | AUDI AUDI AUDI AUDI FIAT RENAULT SUZUKI VOLKSWAGEN VOLVO | 100 (C2 SERIES) 76→82 100 (C3 SERIES) 82→90 80 - 90 (B2 SERIES) 78→86 COUPE ARGENTA - NUOVA LAGUNA VITARA - GRAND VITARA PASSAT (32 - 33) 05-73→07-80 340 - 360 |
| 10538 | CITROËN CITROËN CITROËN CITROËN PEUGEOT PEUGEOT | AX C15 VISA - LNA ZX 205 309 |
| 10539 | PEUGEOT | 405 |
| 10540 | CITROËN DACIA PEUGEOT PEUGEOT RENAULT RENAULT RENAULT RENAULT RENAULT RENAULT RENAULT RENAULT RENAULT RENAULT RENAULT | ZX LOGAN 205 309 CLIO EXPRESS FUEGO MEGANE MEGANE SCENIC R18 R19 - CHAMADE R21 - NEVADA R9 - R11 SUPER 5 THALIA TWINGO |
| 10541 | OPEL OPEL OPEL OPEL OPEL | ASCONA - MANTA COMBO CORSA (A SERIES) KADETT REKORD |
| 10542 | SEAT SEAT VOLKSWAGEN VOLKSWAGEN VOLKSWAGEN | CORDOBA IBIZA GOLF (II SERIES) 08-83→12-92 JETTA (II SERIES) 08-83→12-92 POLO (II SERIES) 10-81→09-94 |

MANUFACTURAS WRKYNSON

www.wrakynson.com

Page 545 of 822



REPAIR KITS & THEIR APPLICATIONS



| | | |
|--------------|---|--|
| 10542 | VOLKSWAGEN VOLKSWAGEN | POLO (III SERIES) 09-94→10-01 POLO CLASSIC |
| 10543 | FIAT FIAT FIAT FIAT FIAT FIAT FORD LANCIA | 500 CINQUECENTO PANDA - MARBELLA PUNTO (176 SERIES) PUNTO (188 SERIES) SEICENTO KA Y10 - A112 - FIRE LX |
| 10544 | OPEL SUBARU SUZUKI | AGILA JUSTY IGNIS |
| 10545 | SEAT SEAT SEAT SKODA VOLKSWAGEN VOLKSWAGEN VOLKSWAGEN VOLKSWAGEN | AROSA CORDOBA IBIZA FABIA GOLF (III SERIES) 08-91→07-98 LUPO POLO (III SERIES) 09-94→10-01 POLO CLASSIC |
| 10546 | SEAT | AROSA |
| 10547 | BMW BMW | 3 SERIES (E30) 83→ Z1 |
| 10548 | ALFA ROMEO ALFA ROMEO BMW BMW | 33 ALFASUD SPRINT 3 SERIES (E30) 83→ Z1 |
| 10549 | CITROËN PEUGEOT | XSARA 206 |
| 10550 | FORD NISSAN - DATSUN | TRANSIT (IV SERIES) 00→06 CABSTAR - ATLAS |
| 10551 | NISSAN - DATSUN | CABSTAR - ATLAS |
| 10552 | OPEL SUZUKI | AGILA WAGON |
| 10554 | RENAULT RENAULT RENAULT RENAULT RENAULT | CLIO EXPRESS R19 - CHAMADE R9 - R11 SUPER 5 |
| 10555 | SEAT SEAT | IBIZA MALAGA |
| 10556 | FIAT FIAT LANCIA | PUNTO (176 SERIES) PUNTO (188 SERIES) Y10 - A112 - FIRE LX |
| 10557 | NISSAN - DATSUN ROVER ROVER ROVER | MICRA 100 SERIES METRO MG |
| 10558 | CITROËN CITROËN LANCIA | C2 C3 YPSILON |
| 10559 | DAEWOO DAEWOO DAEWOO DAEWOO OPEL | ARANOS ESPERO LANOS NEXIA ASCONA - MANTA |

| | | |
|--------------|---|---|
| | OPEL OPEL OPEL OPEL | ASTRA (F SERIES) CALIBRA KADETT VECTRA |
| 10560 | OPEL OPEL OPEL OPEL | ASCONA - MANTA CORSA (A SERIES) KADETT REKORD |
| 10561 | MERCEDES VOLKSWAGEN | SPRINTER (BM901-902-903-904-905) 95→06 LT SERIES |
| 10562 | OPEL | OMEGA |
| 10563 | ALFA ROMEO ALFA ROMEO FIAT FIAT FORD LANCIA MERCEDES ROVER ROVER SAAB SAAB SKODA SKODA SKODA | 145 - 146 164 CROMA PUNTO (176 SERIES) SIERRA THEMA - GAMMA 190 (W201) 10-82→08-93 MAESTRO MONTEGO 900 9000 FAVORIT FELICIA FORMAN |
| 10564 | HONDA HONDA HONDA MITSUBISHI MITSUBISHI MITSUBISHI ROVER ROVER ROVER ROVER ROVER SMART VOLVO | CIVIC (VI SERIES) CIVIC (VII SERIES) CONCERTO CARISMA COLT SPACE STAR 200 - 400 SERIES 25 45 MG STREETWISE FORFOUR S40 - V40 - V50 |
| 10565 | MERCEDES TOYOTA | A-CLASS (W168) 07-97→08-04 COROLLA (E11 SERIES) 04-97→06-02 |
| 10566 | FIAT FIAT FIAT FORD FORD FORD FORD FORD MAZDA | DOBLO PALIO PUNTO (188 SERIES) ESCORT - ORION FIESTA P100 PUMA SIERRA 121 |
| 10567 | ALFA ROMEO ALFA ROMEO FIAT FIAT FIAT FIAT FIAT | 145 - 146 155 ARGENTA - NUOVA CROMA SEICENTO TEMPRA TIPO |

MANUFACTURAS WRAKYNSON

www.wrakynson.com

Page 546 of 822



REPAIR KITS & THEIR APPLICATIONS



| | | |
|--------------|---|--|
| 10567 | LANCIA LANCIA | DEDRA THEMA - GAMMA |
| 10568 | ALFA ROMEO CITROËN CITROËN CITROËN CITROËN CITROËN FIAT FIAT FIAT FIAT FIAT FIAT FIAT FIAT FIAT FIAT NISSAN - DATSUN OPEL PEUGEOT PEUGEOT PEUGEOT RENAULT RENAULT RENAULT RENAULT | MITO C2 C3 DS3 NEMO XSARA 500 DOBLO FIORINO GRANDE PUNTO IDEA LINEA PANDA - MARBELLA PUNTO (199 SERIES) QUBO KUBISTAR CORSA (D SERIES) 206 301 BIPPER GRAND SCENIC KANGOO MEGANE SCENIC |
| 10569 | RENAULT RENAULT RENAULT RENAULT RENAULT RENAULT RENAULT | ESPACE FUEGO R18 R20 R21 - NEVADA R25 R30 |
| 10570 | ALFA ROMEO ALFA ROMEO AUDI AUDI AUDI AUDI AUDI AUDI AUDI AUDI CITROËN FIAT FIAT FIAT LANCIA LANCIA MERCEDES MERCEDES MERCEDES MERCEDES MERCEDES MERCEDES PEUGEOT | 155 164 100 (C3 SERIES) 82→90 200 80 - 90 (B2 SERIES) 78→86 80 - 90 (B3 SERIES) 86→91 80 (B4 SERIES) 91→95 A4 (B5 SERIES) 94→01 CABRIOLET COUPE ZX COUPE CROMA TIPO DELTA - PRISMA THEMA - GAMMA 124 - 200 - 500 (W124 SERIES) 85→06-93 C-CLASS (T202) 6-96→3-01 C-CLASS (W202) 3-93→5-00 COUPE (C124) 3-87→5-93 E-CLASS (W124-S124) 6-93→6-96 KOMBI T MODEL (S124) 9-85→06-93 306 |

| | | |
|--------------|---|---|
| | PEUGEOT SEAT SEAT SEAT SEAT VOLKSWAGEN VOLKSWAGEN VOLKSWAGEN VOLKSWAGEN VOLKSWAGEN VOLKSWAGEN VOLKSWAGEN VOLKSWAGEN VOLKSWAGEN VOLKSWAGEN VOLKSWAGEN VOLKSWAGEN VOLKSWAGEN VOLKSWAGEN VOLVVO | 405 CORDOBA IBIZA INCA TOLEDO CADDY CORRADO GOLF (II SERIES) 08-83→12-92 GOLF (III SERIES) 08-91→07-98 GOLF (IV SERIES) 08-97→06-05 JETTA (II SERIES) 08-83→12-92 LUPO PASSAT (3A2 - 35I - 3A5 - 35I) 02-88→12-97 POLO (III SERIES) 09-94→10-01 POLO CLASSIC SCIROCCO VENTO 440 - 460 - 480 |
| 10571 | CITROËN CITROËN DACIA DACIA DACIA HONDA LANCIA NISSAN - DATSUN NISSAN - DATSUN OPEL PEUGEOT PEUGEOT RENAULT RENAULT RENAULT SUZUKI SUZUKI | BERLINGO XSARA DUSTER LODGY LOGAN CIVIC (VIII SERIES) KAPPA MICRA NOTE AGILA 306 PARTNER CLIO KANGOO MODUS SPLASH SWIFT |
| 10572 | AUDI AUDI AUDI RENAULT RENAULT RENAULT RENAULT RENAULT RENAULT RENAULT RENAULT VOLKSWAGEN | A4 (B5 SERIES) 94→01 A4 (B6 SERIES) 01→05 A4 (B7 SERIES) 05→07 CLIO ESPACE LAGUNA MEGANE MEGANE SCENIC SAFRANE SCENIC PASSAT (3B2 - 3B5) 08-96→12-01 |
| 10573 | ALFA ROMEO ALFA ROMEO ALFA ROMEO ALFA ROMEO ALFA ROMEO FIAT FIAT FIAT FIAT | 145 - 146 147 156 GT GTV SPIDER BARCHETTA BRAVO - BRAVA COUPE MULTIPLA |



REPAIR KITS & THEIR APPLICATIONS



| | | |
|--------------|-----------------|-------------------------------------|
| 10573 | FIAT | PUNTO (188 SERIES) |
| 10574 | FORD | FOCUS |
| | FORD | TOURNEO |
| | FORD | TRANSIT CONNECT |
| | LANCIA | LYBRA |
| 10575 | SEAT | IBIZA |
| | SKODA | FABIA |
| | SKODA | ROOMSTER |
| | VOLKSWAGEN | LUPO |
| | VOLKSWAGEN | POLO (IV SERIES) 10-01→11-09 |
| 10576 | VOLKSWAGEN | TRANSPORTER (IV SERIES) 07-90→04-03 |
| 10577 | FORD | ESCORT - ORION |
| 10578 | CITROËN | XSARA |
| | NISSAN - DATSUN | KUBISTAR |
| | PEUGEOT | 206 |
| | PEUGEOT | 306 |
| | RENAULT | KANGOO |
| 10579 | PEUGEOT | 605 |
| | SAAB | 9000 |
| | VOLVO | 850 |
| | VOLVO | 940 - 960 |
| | VOLVO | S70 - V70 - C70 |
| 10580 | ALFA ROMEO | 164 |
| | CITROËN | EVASION |
| | CITROËN | JUMPY |
| | CITROËN | XSARA |
| | CITROËN | ZX |
| | FIAT | SCUDO |
| | FIAT | ULYSSE |
| | LANCIA | ZETA |
| | OPEL | OMEGA |
| | OPEL | SENATOR - MONZA |
| | PEUGEOT | 306 |
| | PEUGEOT | 405 |
| | PEUGEOT | 806 |
| | PEUGEOT | EXPERT |
| 10581 | PEUGEOT | 406 |
| | PEUGEOT | 607 |
| 10582 | AUDI | 100 (C3 SERIES) 82→90 |
| | AUDI | 100 (C4 SERIES) 90→95 |
| | AUDI | A4 (B5 SERIES) 94→01 |
| | AUDI | A4 (B6 SERIES) 01→05 |
| | AUDI | A4 (B7 SERIES) 05→07 |
| | AUDI | A6 (C4 SERIES) 94→97 |
| | AUDI | A6 (C5 SERIES) 97→04 |
| | AUDI | A6 (C6 SERIES) 04→11 |
| | OPEL | ASTRA (G SERIES) |
| | OPEL | ASTRA (H SERIES) |
| | OPEL | COMBO |
| | OPEL | CORSA (C SERIES) |
| | OPEL | MERIVA |
| | OPEL | VECTRA |
| | OPEL | ZAFIRA |
| | SAAB | 9.3 |
| | SAAB | 9.5 |
| | SAAB | 900 |

| | | |
|--------------|-----------------|--------------------------------|
| | SKODA | SUPERB |
| | TOYOTA | AVENSIS |
| | VOLKSWAGEN | PASSAT (3B2 - 3B5) 08-96→12-01 |
| | VOLKSWAGEN | PASSAT (3B3 - 3B6) 11-00→05-05 |
| 10583 | CITROËN | EVASION |
| | CITROËN | JUMPY |
| | FIAT | SCUDO |
| | FIAT | ULYSSE |
| | LANCIA | ZETA |
| | PEUGEOT | 806 |
| | PEUGEOT | EXPERT |
| 10584 | PEUGEOT | 605 |
| 10585 | HONDA | ACCORD (VI SERIES) 03-97→12-03 |
| | HONDA | CIVIC (VII SERIES) |
| | LAND ROVER | FREELANDER |
| | MERCEDES | A-CLASS (W168) 07-97→08-04 |
| | NISSAN - DATSUN | ALMERA |
| | NISSAN - DATSUN | MAXIMA |
| | NISSAN - DATSUN | PRIMERA |
| | VOLVO | 740 - 760 - 780 |
| | VOLVO | 940 - 960 |
| | VOLVO | S90 - V90 |
| 10586 | LAND ROVER | FREELANDER |
| | NISSAN - DATSUN | ALMERA |
| | NISSAN - DATSUN | PRIMERA |
| 10587 | ROVER | 800 SERIES |
| 10588 | BMW | 3 SERIES (E46) 9-98→ |
| | BMW | X3 (E83) |
| 10589 | ALFA ROMEO | GIULIETTA |
| | AUDI | A5 |
| | AUDI | Q3 |
| | BMW | 3 SERIES (E90) 05→ |
| | BMW | 3 SERIES (E92) 6-06→ |
| | BMW | 3 SERIES (E93) 8-06→ |
| | BMW | 3 TOURING (E91) 05→ |
| | BMW | X1 (E84) 03-09→ |
| | CITROËN | C4 |
| | FORD | C-MAX |
| | FORD | FOCUS |
| | FORD | FOCUS C-MAX |
| | FORD | KUGA |
| | HONDA | ACCORD (VII SERIES) 02-03→ |
| | HONDA | ACCORD (VIII SERIES) 06-08→ |
| | HONDA | CIVIC (IX SERIES) |
| | MAZDA | 3 |
| | MAZDA | 5 |
| | MAZDA | 6 |
| | PEUGEOT | 207 |
| | PEUGEOT | 307 |
| | PEUGEOT | 308 |
| | RENAULT | LAGUNA |
| | ROVER | 75 SERIES |
| | TOYOTA | AVENSIS |
| | VOLVO | C30 |
| | VOLVO | S40 - V40 - V50 |
| | VOLVO | S60 - S80 |
| | VOLVO | S70 - V70 - C70 |



REPAIR KITS & THEIR APPLICATIONS



| | | |
|--------------|---|---|
| 10609 | AUDI AUDI RENAULT | COUPE QUATTRO ESPACE |
| 10610 | ALFA ROMEO ALFA ROMEO ALFA ROMEO AUDI AUDI AUDI AUDI AUDI CITROËN FIAT FIAT NISSAN - DATSUN OPEL OPEL OPEL PEUGEOT RENAULT SAAB SEAT SEAT SEAT SKODA SKODA SKODA VOLKSWAGEN VOLKSWAGEN VOLKSWAGEN VOLKSWAGEN VOLKSWAGEN VOLKSWAGEN VOLKSWAGEN VOLKSWAGEN VOLKSWAGEN VOLKSWAGEN VOLKSWAGEN VOLKSWAGEN VOLKSWAGEN | 159 BRERA SPIDER A3 (8L SERIES) 96→03 A3 (8P SERIES) 02→12 A4 (B7 SERIES) 05→07 TT (8J SERIES) 07→14 TT (8N SERIES) 98→06 JUMPY CROMA SCUDO PRIMASTAR INSIGNIA VIVARO ZAFIRA EXPERT TRAFIC 9.5 ALTEA LEON TOLEDO OCTAVIA SUPERB YETI BORA CADDY EOS GOLF (IV SERIES) 08-97→06-05 GOLF (V SERIES) 10-03→02-09 GOLF (VI SERIES) 10-08→11-13 GOLF PLUS 01-05→ JETTA (III SERIES) 08-05→10-10 MULTIVAN TOURAN TRANSPORTER (V SERIES) 04-03→ |
| 10611 | NISSAN - DATSUN | TERRANO |
| 10612 | TOYOTA TOYOTA TOYOTA VOLKSWAGEN | 4-RUNNER HILUX LAND CRUISER TARO |
| 10613 | MERCEDES VOLKSWAGEN | SPRINTER (BM901-902-903-904-905) 95→06 LT SERIES |
| 10614 | CITROËN CITROËN FIAT FIAT PEUGEOT PEUGEOT | JUMPER JUMPY DUCATO SCUDO BOXER EXPERT |
| 10615 | BMW BMW FORD FORD HONDA | 3 SERIES (E21) 75→82 3 SERIES (E30) 83→ ESCORT - ORION TAUNUS CIVIC (I SERIES) |

| | | |
|--------------|--|---|
| | OPEL OPEL OPEL PEUGEOT PEUGEOT TALBOT VOLVO | ASCONA - MANTA KADETT REKORD 204 304 HORIZON 340 - 360 |
| 10616 | JAGUAR RENAULT | XJ - XJS MASTER |
| 10617 | HONDA NISSAN - DATSUN NISSAN - DATSUN | CIVIC (I SERIES) CHERRY SUNNY - PULSAR - 100NX (B13 SERIES) |
| 10618 | SEAT SEAT SEAT VOLKSWAGEN VOLKSWAGEN VOLKSWAGEN VOLKSWAGEN VOLKSWAGEN VOLKSWAGEN VOLKSWAGEN VOLKSWAGEN VOLKSWAGEN VOLKSWAGEN VOLKSWAGEN VOLKSWAGEN VOLKSWAGEN | CORDOBA IBIZA TOLEDO CADDY FOX GOLF (II SERIES) 08-83→12-92 GOLF (III SERIES) 08-91→07-98 JETTA (II SERIES) 08-83→12-92 PASSAT (32B) 11-79→06-89 POLO (II SERIES) 10-81→09-94 POLO (III SERIES) 09-94→10-01 SANTANA SCIROCCO VENTO |
| 10620 | HYUNDAI | ATOS |
| 10621 | HONDA HONDA HONDA | CIVIC (IV SERIES) CIVIC (V SERIES) JAZZ |
| 10622 | HONDA HONDA HONDA HONDA | CIVIC (V SERIES) CIVIC (VI SERIES) JAZZ LOGO |
| 10623 | HONDA HYUNDAI HYUNDAI HYUNDAI | ACCORD (II SERIES) 09-83→10-85 ACCENT i10 i20 |
| 10624 | HONDA HONDA HONDA HONDA HONDA ROVER SUZUKI SUZUKI | ACCORD (I SERIES) 05-76→09-83 CIVIC (II SERIES) CIVIC (III SERIES) CRX PRELUDE 200 - 400 SERIES ALTO SWIFT |
| 10625 | VOLVO | 440 - 460 - 480 |
| 10626 | CHEVROLET DAEWOO DAEWOO | NUBIRA LACETTI NUBIRA |
| 10627 | HYUNDAI HYUNDAI HYUNDAI HYUNDAI HYUNDAI HYUNDAI | ACCENT ELANTRA GETZ LANTRA PONY - EXCEL SCOUPE |



REPAIR KITS & THEIR APPLICATIONS



| | | |
|--------------|--|---|
| 10628 | NISSAN - DATSUN SUZUKI | ALMERA VITARA - GRAND VITARA |
| 10629 | BMW BMW BMW BMW | 3 SERIES (E36) 91→ 3 SERIES (E46) 9-98→ Z3 Z4 (E85) |
| 10630 | MERCEDES MERCEDES MERCEDES MERCEDES | 124 - 200 - 500 (W124 SERIES) 85→06-93 190 (W201) 10-82→08-93 COUPE (C124) 3-87→5-93 E-CLASS (C124-A124) 5-93→3-98 E-CLASS (W124-S124) 6-93→6-96 |
| 10631 | ALFA ROMEO AUDI CITROËN FIAT FIAT FIAT FORD JAGUAR PEUGEOT PEUGEOT SEAT SEAT SKODA SKODA SKODA VOLKSWAGEN VOLKSWAGEN VOLKSWAGEN VOLKSWAGEN VOLKSWAGEN VOLKSWAGEN | MITO A3 (8P SERIES) 02→12 C4 BRAVO - BRAVA MULTIPLA STILO MONDEO X-TYPE 207 307 ALTEA LEON OCTAVIA SUPERB YETI CADDY GOLF (VI SERIES) 10-08→11-13 JETTA (III SERIES) 08-05→10-10 JETTA (IV SERIES) 04-10→ NEW BEETLE TOURAN |
| 10632 | FORD MAZDA MAZDA MAZDA MAZDA MAZDA | PROBE 323 (BJ SERIES) 05-98→05-04 626 MX6 PREMACY XEDOS |
| 10633 | DAF DAF FORD LAND ROVER LAND ROVER | V200 FREIGHT - SHERPA V400 TRANSIT (III SERIES) 86→00 90 - 110 DEFENDER |
| 10634 | LAND ROVER | DEFENDER |
| 10635 | FORD RENAULT | MONDEO KANGOO |
| 10636 | FORD MAZDA MAZDA | PROBE 323 (BF - BW SERIES) 08-85→10-98 626 |
| 10637 | MAZDA MAZDA MAZDA | 323 (BJ SERIES) 05-98→05-04 626 PREMACY |
| 10638 | HONDA HONDA HONDA MAZDA | ACCORD (IV SERIES) 11-89→12-93 ACCORD (V SERIES) 03-93→10-98 LEGEND MX5 |

| | | |
|--------------|--|---|
| 10639 | CITROËN CITROËN PEUGEOT PEUGEOT PEUGEOT PEUGEOT PEUGEOT PEUGEOT RENAULT RENAULT RENAULT RENAULT | SAXO ZX 106 205 206 306 309 CLIO R19 - CHAMADE R9 - R11 SUPER 5 |
| 10640 | CITROËN | C5 |
| 10641 | CITROËN CITROËN PEUGEOT | XSARA ZX 306 |
| 10642 | MERCEDES MERCEDES PEUGEOT PEUGEOT PEUGEOT | V-CLASS (BM638-2) 2-96→7-03 VITO (BM638) 02-96→7-03 406 605 607 |
| 10643 | CITROËN CITROËN | XANTIA XM |
| 10644 | HONDA HONDA HONDA HONDA HONDA HONDA HONDA ROVER SUZUKI | ACCORD (IV SERIES) 11-89→12-93 ACCORD (V SERIES) 03-93→10-98 ACCORD (VI SERIES) 03-97→12-03 CIVIC (VI SERIES) CIVIC (VII SERIES) CIVIC (VIII SERIES) PRELUDE 600 SERIES SX4 |
| 10645 | OPEL OPEL | ASTRA (G SERIES) ZAFIRA |
| 10646 | MERCEDES MERCEDES MERCEDES | 124 - 200 - 500 (W124 SERIES) 85→06-93 190 (W201) 10-82→08-93 E-CLASS (W124-S124) 6-93→6-96 |
| 10647 | OPEL OPEL | ASTRA (G SERIES) ZAFIRA |
| 10648 | MAZDA | 323 (BG SERIES) 04-87→09-00 |
| 10649 | LADA | SAMARA (2108 - 2109) - FORMA (21099) |
| 10650 | MAZDA MAZDA MAZDA | 323 (BA SERIE) 05-94→01-01 323 (BG SERIES) 04-87→09-00 MX3 |
| 10651 | MERCEDES | MB 100 (631) 81→97 |
| 10652 | DAEWOO | LANOS |
| 10653 | NISSAN - DATSUN | PATROL |
| 10654 | SUZUKI | SWIFT |
| 10655 | MITSUBISHI MITSUBISHI TOYOTA | MONTERO PAJERO LAND CRUISER |
| 10656 | SUZUKI | SWIFT |
| 10657 | NISSAN - DATSUN NISSAN - DATSUN SUBARU SUBARU | CHERRY SUNNY - PULSAR - 100NX (B13 SERIES) JUSTY LIBERO |

MANUFACTURAS WRAKYNSON

www.wrakynson.com

Page 551 of 822



REPAIR KITS & THEIR APPLICATIONS



| | | |
|--------------|--|--|
| 10677 | VOLKSWAGEN VOLKSWAGEN | POLO (V SERIES) 06-09→ POLO CLASSIC |
| 10678 | OPEL | VECTRA |
| 10679 | OPEL OPEL OPEL OPEL OPEL SAAB SAAB | ASTRA (F SERIES) CALIBRA KADETT OMEGA VECTRA 9.3 900 |
| 10680 | TOYOTA | MR2 |
| 10681 | VOLVO VOLVO | 140 - 164 240 - 260 |
| 10682 | NISSAN - DATSUN NISSAN - DATSUN | ALMERA MICRA |
| 10684 | RENAULT | KANGOO |
| 10685 | CITROËN FORD | C4 MONDEO |
| 10686 | FIAT FIAT | MULTIPLA STILO |
| 10687 | VOLVO VOLVO VOLVO | 740 - 760 - 780 940 - 960 S90 - V90 |
| 10688 | MAZDA OPEL OPEL | 626 FRONTERA MONTEREY |
| 10689 | AUDI AUDI AUDI AUDI AUDI AUDI | 100 (C3 SERIES) 82→90 100 (C4 SERIES) 90→95 200 A6 (C4 SERIES) 94→97 QUATTRO V8 |
| 10690 | BMW BMW | 3 SERIES (E46) 9-98→ X3 (E83) |
| 10691 | HYUNDAI | SANTA FÉ |
| 10692 | FORD NISSAN - DATSUN | MAVERICK TERRANO |
| 10693 | MITSUBISHI MITSUBISHI | MONTERO PAJERO |
| 10694 | SUBARU SUBARU | LEGACY (I SERIES) 01-89→08-94 LEGACY (II SERIES) 02-94→03-99 |
| 10695 | MAZDA MAZDA | B SERIES XEDOS |
| 10696 | NISSAN - DATSUN | LAUREL |
| 10697 | TOYOTA TOYOTA | F-MODEL LITEACE |
| 10698 | NISSAN - DATSUN | X-TRAIL |
| 10699 | IVECO IVECO | DAILY (II SERIES) 01-90→05-99 DAILY (III SERIES) 06-99→05-06 |
| 10700 | IVECO IVECO NISSAN - DATSUN RENAULT | DAILY (III SERIES) 06-99→05-06 DAILY (IV SERIES) 06-06→09-11 CABSTAR - ATLAS MASCOTT |
| 10701 | LAND ROVER | DISCOVERY |
| 10702 | LAND ROVER LAND ROVER | DISCOVERY RANGE ROVER |

| | | |
|--------------|--|--|
| | RENAULT RENAULT | EXPRESS SUPER 5 |
| 10704 | CITROËN | AX |
| 10705 | MERCEDES | A-CLASS (W168) 07-97→08-04 |
| 10706 | SAAB SAAB SAAB | 90 900 99 |
| 10707 | MAZDA | MX5 |
| 10708 | AUDI BMW BMW VOLKSWAGEN | COUPE 1500 - 2000CS (115 - 116 - 118 - 121) 10-62→11-72 1502 - 2002TII (02) (E10 - E6) 66→77 K70 |
| 10709 | HYUNDAI HYUNDAI HYUNDAI HYUNDAI HYUNDAI HYUNDAI KIA KIA KIA KIA MITSUBISHI | GETZ MATRIX SANTAMO SONATA TUCSON XG JOICE MAGENTIS OPIRUS SPORTAGE SANTAMO |
| 10710 | MINI TOYOTA | MINI (R50 - R53) YARIS |
| 10711 | SKODA SKODA | RAPID S100 - 105 - 110 - 120 - 130 - 136 |
| 10712 | VOLVO | 740 - 760 - 780 |
| 10713 | MITSUBISHI SMART | COLT FORFOUR |
| 10714 | NISSAN - DATSUN | X-TRAIL |
| 10715 | MITSUBISHI MITSUBISHI MITSUBISHI | GALANT (IV SERIES) 11-87→03-93 SAPPORO SIGMA |
| 10716 | SUBARU SUBARU SUBARU | IMPREZA LEGACY (I SERIES) 01-89→08-94 LEGACY (II SERIES) 02-94→03-99 |
| 10717 | MITSUBISHI MITSUBISHI MITSUBISHI MITSUBISHI MITSUBISHI MITSUBISHI MITSUBISHI | ECLIPSE GALANT (V SERIES) 11-92→10-96 GALANT (VI SERIES) 09-96→10-04 MONTERO PAJERO SPACE RUNNER SPACE WAGON |
| 10718 | TOYOTA | COROLLA (E11 SERIES) 04-97→06-02 |
| 10719 | MAZDA | RX7 |
| 10720 | TOYOTA TOYOTA | CARINA CELICA |
| 10721 | NISSAN - DATSUN NISSAN - DATSUN NISSAN - DATSUN NISSAN - DATSUN NISSAN - DATSUN | CUBE JUKE QASHQAI TIIDA X-TRAIL |
| 10722 | MERCEDES | C-CLASS (W202) 3-93→5-00 |
| 10723 | FIAT | CROMA |



REPAIR KITS & THEIR APPLICATIONS



| | | |
|--------------|--|--|
| 10723 | LANCIA LANCIA RENAULT | BETA - TREVI THEMA - GAMMA ESPACE |
| 10724 | RENAULT RENAULT RENAULT RENAULT RENAULT RENAULT RENAULT RENAULT | ESPACE FUEGO R12 R17 R18 R21 - NEVADA R25 R30 R5 - R6 |
| 10725 | BMW BMW BMW CITROËN FIAT JAGUAR LANCIA PEUGEOT ROVER | 3 SERIES (E36) 91→ Z1 Z3 EVASION ULYSSE XJ - XJS ZETA 806 75 SERIES |
| 10726 | MERCEDES MERCEDES MERCEDES MERCEDES MERCEDES MERCEDES MERCEDES MERCEDES MERCEDES MERCEDES | C-CLASS (S202-S203) 6-96→ C-CLASS (W202) 3-93→5-00 C-CLASS (W203) 5-00→ C-CLASS COUPE (CL203) 03-01→ CLC-CLASS (203) 5-08→ CLK (C208-C209) 6-97→ E-CLASS (W210-S210-T210) 6-95→3-03 SLK (R170) 4-96→4-04 SLK (R171) 3-04→ |
| 10727 | VOLVO VOLVO VOLVO | 140 - 164 240 - 260 AMAZON |
| 10728 | VOLVO | 140 - 164 |
| 10729 | MERCEDES MERCEDES MERCEDES MERCEDES | CLK (A208-A209) 3-98→ CLK (C208-C209) 6-97→ E-CLASS (W210-S210-T210) 6-95→3-03 S-CLASS (W108-W109) 1-66→8-72 |
| 10730 | MERCEDES | E-CLASS (W210-S210-T210) 6-95→3-03 |
| 10731 | MAZDA | 6 |
| 10732 | MERCEDES MERCEDES MERCEDES MERCEDES MERCEDES MERCEDES | C-CLASS (S202-S203) 6-96→ C-CLASS (W202) 3-93→5-00 CLK (A208-A209) 3-98→ CLK (C208-C209) 6-97→ E-CLASS (W210-S210-T210) 6-95→3-03 SL (R129) 3-89→10-01 |
| 10733 | AUDI AUDI AUDI | 100 (C3 SERIES) 82→90 200 80 - 90 (B2 SERIES) 78→86 |
| 10734 | MITSUBISHI TOYOTA | 3.0GT CELICA |
| 10735 | HYUNDAI HYUNDAI MITSUBISHI | SANTA FÉ TRAJET SANTAMO |

| | | |
|--------------|--|---|
| 10736 | LAND ROVER VOLVO VOLVO VOLVO | FREELANDER S60 - S80 S70 - V70 - C70 XC70 |
| 10737 | ALFA ROMEO ALFA ROMEO ALFA ROMEO ALFA ROMEO PORSCHE | 75 - 90 ALFETTA GIULIETTA GTV SPIDER 914 |
| 10738 | LEXUS | LS |
| 10739 | CITROËN FIAT FIAT PEUGEOT | C25 DUCATO TALENTO J5 |
| 10740 | MERCEDES MERCEDES MERCEDES MERCEDES MERCEDES MERCEDES MERCEDES MERCEDES MERCEDES | 123 - 200 - 300 (W123 SERIES) 76→86 8 (W114) 68→02-77 8 (W115) 68→2-77 COUPE (C123) 3-77→12-85 PAGODE (W113) 63→72 S-CLASS (W116) 8-72→7-80 S-CLASS (W126) 10-79→6-91 SL (R107) 5-71→9-89 SL COUPE (C107) 01-72→9-81 |
| 10741 | BMW SAAB SAAB | 3 SERIES (E36) 91→ 9.3 9.5 |
| 10742 | BMW BMW | 5 SERIES (E34) 88→ 7 SERIES (E32) 87→ |
| 10743 | OPEL OPEL SAAB | OMEGA SENATOR - MONZA 9.5 |
| 10744 | MERCEDES MERCEDES | S-CLASS (W126) 10-79→6-91 S-CLASS COUPE (C126) 10-81→6-91 |
| 10745 | BMW BMW | 3 SERIES (E30) 83→ 7 SERIES (E32) 87→ |
| 10746 | FORD | TRANSIT (III SERIES) 86→00 |
| 10747 | TOYOTA TOYOTA TOYOTA TOYOTA TOYOTA TOYOTA | AVENSIS COROLLA (E13 SERIES) 03-04→04-09 COROLLA VERSO (R10 SERIES) 02-04→ PREVIA VERSO |
| 10748 | MERCEDES MERCEDES | VIANO (W639) 9-03→ VITO (W639) 9-03→ |
| 10749 | ALFA ROMEO ALFA ROMEO PEUGEOT | 166 SPIDER 607 |
| 10750 | MERCEDES MERCEDES | 124 - 200 - 500 (W124 SERIES) 85→06-93 E-CLASS (W124-S124) 6-93→6-96 |
| 10751 | BMW BMW BMW BMW BMW | 3 SERIES (E36) 91→ 3 SERIES (E46) 9-98→ 5 SERIES (E34) 88→ 7 SERIES (E32) 87→ 8 SERIES (E31) 90→ |

MANUFACTURAS WRAKYNSON

www.wrakynson.com

Page 554 of 822



REPAIR KITS & THEIR APPLICATIONS



| | | |
|--------------|-----------------|---------------------------------------|
| 10751 | BMW | Z3 |
| | BMW | Z4 (E85) |
| | BMW | Z4 (E86) |
| | ROVER | 75 SERIES |
| | ROVER | MG |
| | SAAB | 9.5 |
| 10752 | BMW | 5 SERIES (E12) 72→81 |
| | BMW | 6 SERIES (E24) 76→88 |
| | BMW | 7 SERIES (E23) 77→86 |
| 10753 | VOLVO | 740 - 760 - 780 |
| | VOLVO | 940 - 960 |
| 10754 | VOLVO | 740 - 760 - 780 |
| | VOLVO | 940 - 960 |
| 10755 | VOLVO | 940 - 960 |
| | VOLVO | S70 - V70 - C70 |
| | VOLVO | XC70 |
| 10756 | OPEL | GT |
| | OPEL | SIGNUM |
| | OPEL | VECTRA |
| | SAAB | 9.3 |
| 10757 | VOLVO | 740 - 760 - 780 |
| 10758 | MERCEDES | E-CLASS (W210-S210-T210) 6-95→3-03 |
| | MERCEDES | S-CLASS (W140) 2-91→10-98 |
| | OPEL | SENATOR - MONZA |
| 10759 | NISSAN - DATSUN | 200SX |
| | NISSAN - DATSUN | 300ZX |
| | SUBARU | IMPREZA |
| 10760 | MERCEDES | S-CLASS (C140) 9-92→2-99 |
| | MERCEDES | S-CLASS (W140) 2-91→10-98 |
| | MERCEDES | SL (R129) 3-89→10-01 |
| 10761 | TOYOTA | AVENSIS |
| | TOYOTA | CELICA |
| 10762 | BMW | 1 SERIES (E81 - E87) 09-04→ |
| | BMW | 3 SERIES (E90) 05→ |
| | BMW | 3 SERIES (E92) 6-06→ |
| 10763 | MERCEDES | M-CLASS (W163) 2-98→6-05 |
| 10764 | BMW | 7 SERIES (E38) 94→ |
| | BMW | 8 SERIES (E31) 90→ |
| | MERCEDES | C-CLASS (S202-S203) 6-96→ |
| | MERCEDES | C-CLASS (W203) 5-00→ |
| | MERCEDES | C-CLASS COUPE (CL203) 03-01→ |
| | MERCEDES | CLK (C208-C209) 6-97→ |
| | MERCEDES | CLS (C219) 10-04→ |
| | MERCEDES | E-CLASS (W211-S211) 3-02→ |
| | MERCEDES | M-CLASS (W163) 2-98→6-05 |
| | MERCEDES | S-CLASS (W220) 10-98→08-05 |
| 10765 | LEXUS | GS |
| | LEXUS | IS |
| 10766 | CHEVROLET | CAPTIVA |
| | OPEL | ANTARA |
| 10768 | DAF | V200 FREIGHT - SHERPA |
| | DAF | V400 |
| | LAND ROVER | DEFENDER |
| | LAND ROVER | DISCOVERY |
| | LAND ROVER | RANGE ROVER |
| 10769 | SMART | CABRIO |

| | | |
|--------------|-----------------|--|
| | SMART | CITY COUPE |
| | SMART | CROSSBLADE |
| | SMART | FORTWO |
| | SMART | ROADSTER |
| 10770 | BMW | 5 SERIES (E60) 07-03→ |
| 10771 | BMW | 3 SERIES (E46) 9-98→ |
| | BMW | 5 SERIES (E39) 96→ |
| | BMW | X5 (E53) 01→ |
| | LAND ROVER | RANGE ROVER |
| 10772 | NISSAN - DATSUN | INTERSTAR |
| | OPEL | MOVANO |
| | RENAULT | MASTER |
| 10773 | CHRYSLER | VOYAGER |
| 10776 | IVECO | DAILY (I SERIES) 06-78→12-89 |
| | IVECO | DAILY (II SERIES) 01-90→05-99 |
| 10777 | BMW | 1500 - 2000CS (115 - 116 - 118 - 121) 10-62→11-72 |
| | BMW | 2.5 - 3.3LI (E3) 10 - 68→ |
| | BMW | 2.5CS - 3.0CSL (E9) 06-70→ |
| | BMW | 5 SERIES (E12) 72→81 |
| | BMW | 6 SERIES (E24) 76→88 |
| | MERCEDES | 123 - 200 - 300 (W123 SERIES) 76→86 |
| | MERCEDES | CABRIOLET HECKFLOSSE (W110-W111) 59→72 |
| | MERCEDES | COUPE (C123) 3-77→12-85 |
| | MERCEDES | COUPE (W111) 1-61→12-71 |
| | MERCEDES | KOMBI T MODEL (S123) 9-77→12-85 |
| | MERCEDES | PAGODE (W113) 63→72 |
| | MERCEDES | S-CLASS (W108-W109) 1-66→8-72 |
| | OPEL | ADMIRAL |
| | PORSCHE | 911 |
| | VOLKSWAGEN | 1.200 - 1.300 - 1.500 - 1.600 BEETLE |
| 10778 | RENAULT | R30 |
| | RENAULT | TRAFIC |
| 10780 | ALFA ROMEO | 159 |
| | ALFA ROMEO | BRERA |
| | ALFA ROMEO | SPIDER |
| 10781 | FORD | RANGER |
| | MAZDA | BT-50 |
| | MITSUBISHI | L200 |
| | NISSAN - DATSUN | KING CAB |
| | NISSAN - DATSUN | MAXIMA |
| | NISSAN - DATSUN | PICK-UP |
| | NISSAN - DATSUN | TERRANO |
| | SUBARU | FORESTER |
| | SUBARU | IMPREZA |
| | SUBARU | LEGACY (IV SERIES) 09-03→08-09 |
| | SUBARU | LEGACY (V SERIES) 09-09→ |
| | SUBARU | OUTBACK |
| | SUBARU | XV |
| 10782 | SUBARU | FORESTER |
| | SUBARU | IMPREZA |
| | SUBARU | LEGACY (II SERIES) 02-94→03-99 |
| | SUBARU | LEGACY (III SERIES) 10-98→08-03 |
| | SUBARU | OUTBACK |
| 10783 | NISSAN - DATSUN | 300ZX |

MANUFACTURAS WRACKYNSON

www.wrakynson.com

Page 555 of 822



REPAIR KITS & THEIR APPLICATIONS



| | | |
|--------------|--|--|
| 10783 | NISSAN - DATSUN | FAIRLADY |
| 10784 | HYUNDAI SSANYONG | TERRACAN REXTON |
| 10785 | HYUNDAI HYUNDAI HYUNDAI HYUNDAI HYUNDAI HYUNDAI MITSUBISHI SSANYONG | H1 SANTA FÉ SANTAMO TERRACAN TRAJET XG SANTAMO REXTON |
| 10786 | AUDI AUDI AUDI AUDI AUDI VOLKSWAGEN | 100 (C4 SERIES) 90→95 A4 (B5 SERIES) 94→01 A6 (C4 SERIES) 94→97 A6 (C5 SERIES) 97→04 A8 (4D SERIES) 94→03 PHAETON |
| 10787 | AUDI | A8 (4D SERIES) 94→03 |
| 10788 | TOYOTA TOYOTA | AVENSIS PREVIA |
| 10789 | TOYOTA | PREVIA |
| 10790 | FORD NISSAN - DATSUN NISSAN - DATSUN NISSAN - DATSUN | MAVERICK SERENA TERRANO VANETTE |
| 10791 | CITROËN FIAT PEUGEOT | C25 DUCATO J5 |
| 10792 | AUDI | A8 (4D SERIES) 94→03 |
| 10793 | MAZDA MAZDA | CX-7 CX-9 |
| 10794 | CHRYSLER DODGE FIAT JAGUAR JAGUAR LANCIA | VOYAGER JOURNEY FREEMONT S-TYPE XJ - XJS VOYAGER LIMUSINA |
| 10795 | CITROËN FIAT PEUGEOT | JUMPER DUCATO BOXER |
| 10796 | IVECO MERCEDES MERCEDES | DAILY (I SERIES) 06-78→12-89 T1 (BM601 - BM602) 5-77→ T1-TN (BM611) 6-81→ |
| 10797 | MERCEDES MERCEDES MERCEDES MERCEDES | G-CLASS (W460-461-463) 79→ T1 (BM601 - BM602) 5-77→ T1-TN (BM611) 6-81→ T2-LN1 (BM667-668-669-670) 3-86→ |
| 10798 | IVECO | DAILY (I SERIES) 06-78→12-89 |
| 10799 | MERCEDES VOLKSWAGEN | SPRINTER (BM901-902-903-904-905) 95→06 LT SERIES |
| 10800 | TOYOTA TOYOTA | F-MODEL PREVIA |
| 10802 | LEXUS TOYOTA | LX LAND CRUISER |
| 10803 | TOYOTA TOYOTA | 4-RUNNER FJ CRUISER |

| | | |
|--------------|--|---|
| | TOYOTA | LAND CRUISER |
| 10804 | MERCEDES | SPRINTER (BM901-902-903-904-905) 95→06 |
| 10805 | LEXUS LEXUS LEXUS TOYOTA | GS IS LS SUPRA |
| 10806 | MITSUBISHI MITSUBISHI | MONTERO PAJERO |
| 10807 | TOYOTA TOYOTA | 4-RUNNER LAND CRUISER |
| 10808 | LAND ROVER LAND ROVER LAND ROVER | DISCOVERY RANGE ROVER RANGE ROVER SPORT |
| 10809 | RENAULT | TRAFIC |
| 10810 | NISSAN - DATSUN | MICRA |
| 10811 | NISSAN - DATSUN OPEL RENAULT | INTERSTART MOVANO MASTER |
| 10812 | MITSUBISHI MITSUBISHI TOYOTA TOYOTA | MONTERO PAJERO 4-RUNNER LAND CRUISER |
| 10813 | MERCEDES VOLKSWAGEN | SPRINTER (BM901-902-903-904-905) 95→06 LT SERIES |
| 10814 | MITSUBISHI MITSUBISHI MITSUBISHI MITSUBISHI | GRANDIS MONTERO PAJERO SHOGUN |
| 10815 | HYUNDAI KIA OPEL | SANTA FÉ SORENTO ANTARA |
| 10816 | KIA | SORENTO |
| 10817 | BMW BMW BMW BMW BMW BMW BMW BMW BMW BMW | 1 SERIES COUPE (E82) 09-07→ 3 SERIES (E90) 05→ 3 SERIES (E92) 6-06→ 3 SERIES (E93) 8-06→ 5 SERIES (E60) 07-03→ 5 SERIES (E61) 6-04→ 6 SERIES (E63 - E64) 1-04→ 7 SERIES (E65 - E66 - E67) 11-01→ Z4 (E85) Z4 (E86) |
| 10818 | KIA KIA | CARNIVAL PREGIO |
| 10819 | FIAT FIAT FIAT FIAT FIAT LANCIA LANCIA | PANDA - MARBELLA PUNTO (176 SERIES) REGATA RITMO - NUOVA TEMPRA TIPO DEDRA Y10 - A112 - FIRE LX |
| 10820 | FORD FORD MINI | FIESTA KA MINI (R50 - R53) |

MANUFACTURAS WRACKYNSON

www.wrakynson.com

Page 556 of 822



REPAIR KITS & THEIR APPLICATIONS



| | | |
|--------------|-----------------|--------------------------------------|
| 10821 | ALFA ROMEO | 1.750 - 2.000 |
| | ALFA ROMEO | 75 - 90 |
| | ALFA ROMEO | ALFETTA |
| | ALFA ROMEO | GIULIA |
| | ALFA ROMEO | GIULIETTA |
| | ALFA ROMEO | GT |
| | ALFA ROMEO | GTV |
| | ALFA ROMEO | SPIDER |
| | AUDI | 100 (C1 SERIES) 68→76 |
| | AUDI | 60 - 75 |
| | AUDI | 80 (B1 SERIES) 72→78 |
| | AUDI | COUPE |
| | BMW | 1502 - 2002TII (02) (E10 - E6) 66→77 |
| | BMW | 3 SERIES (E21) 75→82 |
| | BMW | 3 SERIES (E30) 83→ |
| | OPEL | GT |
| | OPEL | KADETT |
| | OPEL | REKORD |
| | PORSCHE | 911 |
| | TALBOT | HORIZON |
| | TALBOT | MATRA |
| | TALBOT | RANCHO |
| | TALBOT | SIMCA 1200 - 1100 |
| | TALBOT | SIMCA 900 - 1000 |
| 10822 | ALFA ROMEO | SPIDER |
| | FORD | CAPRI |
| | FORD | ESCORT - ORION |
| | OPEL | ASCONA - MANTA |
| | OPEL | KADETT |
| | OPEL | REKORD |
| | SAAB | 99 |
| 10823 | MERCEDES | VIANO (W639) 9-03→ |
| | MERCEDES | VITO (W639) 9-03→ |
| 10824 | NISSAN - DATSUN | SUNNY - PULSAR - 100NX (B13 SERIES) |
| 10825 | SUBARU | MINI JUMBO |
| 10826 | TOYOTA | PASEO |
| | TOYOTA | STARLET |
| 10827 | KIA | PRIDE |
| | MAZDA | 121 |
| 10828 | NISSAN - DATSUN | PATROL |
| 10829 | NISSAN - DATSUN | PATROL |
| 10830 | TOYOTA | LAND CRUISER |
| 10831 | NISSAN - DATSUN | SUNNY - PULSAR - 100NX (B13 SERIES) |
| 10832 | NISSAN - DATSUN | SUNNY - PULSAR - 100NX (B13 SERIES) |
| 10833 | LAND ROVER | DISCOVERY |
| | LAND ROVER | RANGE ROVER |
| | LAND ROVER | RANGE ROVER SPORT |
| 10834 | FIAT | 126 - 127 - 128 |
| | FIAT | PANDA - MARBELLA |
| | FIAT | REGATA |
| | FIAT | RITMO - NUOVA |
| | FIAT | UNO |
| | FIAT | X 1-9 |
| | LANCIA | Y10 - A112 - FIRE LX |
| | POLSKI | 125 - 126 |

| | | |
|--------------|-----------------|---|
| | POLSKI | 127 - 132 |
| | POLSKI | POLONEZ |
| | SEAT | IBIZA |
| | SEAT | MALAGA |
| | SEAT | PANDA TRANS - TERRA - MARBELLA |
| | ZASTAVA - YUGO | 101 - CONTACT - NOGARO - YUGO |
| 10835 | ALFA ROMEO | ALFASUD |
| | ALFA ROMEO | ALFASUD SPRINT |
| | CITROËN | VISA - LNA |
| | PEUGEOT | 104 |
| | PEUGEOT | 304 |
| | PEUGEOT | 305 |
| | RENAULT | R12 |
| | RENAULT | R14 |
| | RENAULT | R15 |
| | RENAULT | R16 |
| | RENAULT | R17 |
| | RENAULT | R18 |
| | RENAULT | R5 - R6 |
| | TALBOT | SAMBA |
| 10836 | FIAT | 126 - 127 - 128 |
| | FIAT | FIORINO |
| | FIAT | X 1-9 |
| | LANCIA | Y10 - A112 - FIRE LX |
| | SEAT | 127 - FURA |
| 10838 | ALFA ROMEO | 33 |
| | ALFA ROMEO | ARNA |
| | CITROËN | VISA - LNA |
| | RENAULT | R5 - R6 |
| 10839 | LADA | 2101 - 2102 - 2103 - 2104 - 2105 - 2106 |
| 10840 | VOLKSWAGEN | CADDY |
| | VOLKSWAGEN | GOLF (I SERIES) 04-74→12-85 |
| | VOLKSWAGEN | JETTA (I SERIES) 08-78→02-84 |
| | VOLKSWAGEN | PASSAT (32 - 33) 05-73→07-80 |
| | VOLKSWAGEN | PASSAT (32B) 11-79→06-89 |
| | VOLKSWAGEN | SANTANA |
| | VOLKSWAGEN | SCIROCCO |
| 10841 | CITROËN | C1 |
| | PEUGEOT | 107 |
| | TOYOTA | AYGO |
| 10842 | CITROËN | JUMPER |
| | FIAT | DUCATO |
| | PEUGEOT | 206 |
| | PEUGEOT | BOXER |
| 10843 | OPEL | COMBO |
| | OPEL | CORSA (C SERIES) |
| 10844 | OPEL | ASTRA (G SERIES) |
| 10845 | AUDI | A2 |
| | VOLKSWAGEN | LUPO |
| 10846 | JEEP | GRAND CHEROKEE |
| 10847 | FORD | TRANSIT (V SERIES) 06→13 |
| | VOLKSWAGEN | AMAROK |
| 10848 | JEEP | GRAND CHEROKEE |
| 10850 | FORD | TRANSIT (V SERIES) 06→13 |
| 10851 | NISSAN - DATSUN | A10 |

MANUFACTURAS WRACKYNSON

www.wrakynson.com

Page 557 of 822



REPAIR KITS & THEIR APPLICATIONS



| | | |
|--------------|--|---|
| 10851 | NISSAN - DATSUN NISSAN - DATSUN SAAB | BLUEBIRD LAUREL 95 - 96 |
| 10852 | AUTHI MORRIS ROVER ROVER | MINI MINI 850 - 1.000 - 1300 TRIUMPH |
| 10853 | MAZDA | MX5 |
| 10854 | HONDA HONDA MITSUBISHI MITSUBISHI MITSUBISHI | CIVIC (III SERIES) PRELUDE GALANT (II SERIES) 09-80→05-84 LANCER (I SERIES A17) 09-79→02-83 SAPORO |
| 10855 | MITSUBISHI MITSUBISHI | COLT LANCER (III SERIES C1-C3) 11-83→06-92 |
| 10857 | MITSUBISHI MITSUBISHI | COLT LANCER (III SERIES C1-C3) 11-83→06-92 |
| 10858 | DAIHATSU DAIHATSU KIA MAZDA MAZDA | CUORE HIJET RIO 121 DEMIO |
| 10860 | SUZUKI SUZUKI | SJ410 - SJ413 - SAMURAI SWIFT |
| 10861 | SUZUKI | JIMNY |
| 10862 | DAIHATSU DAIHATSU | APPLAUSE CHARADE |
| 10863 | DAIHATSU | CUORE |
| 10864 | MAZDA | 323 (BF - BW SERIES) 08-85→10-98 |
| 10865 | TOYOTA TOYOTA TOYOTA TOYOTA TOYOTA TOYOTA TOYOTA TOYOTA TOYOTA | CAMRY CARINA COROLLA (E10 SERIES) 06-91→11-99 COROLLA (E8 SERIES) 05-83→06-89 COROLLA (E9 - SERIES) 05-87→10-95 CORONA MR2 STARLET |
| 10866 | NISSAN - DATSUN | PATROL |
| 10867 | SUBARU SUZUKI | JUSTY SWIFT |
| 10868 | DAIHATSU | CHARADE |
| 10869 | TOYOTA | COROLLA (E8 SERIES) 05-83→06-89 |
| 10870 | TOYOTA TOYOTA | MR2 YARIS |
| 10871 | DAIHATSU HONDA HYUNDAI MITSUBISHI MITSUBISHI MITSUBISHI MITSUBISHI TOYOTA | CHARMANT CIVIC (II SERIES) PONY - EXCEL CELESTE COLT GALANT (I SERIES) 01-77→08-80 LANCER (I SERIES A17) 09-79→02-83 COROLLA (E7 SERIES) 09-79→08-87 |

| | | |
|--------------|---|---|
| 10872 | SUZUKI | WAGON |
| 10873 | TOYOTA | YARIS |
| 10874 | KIA | RIO |
| 10875 | IVECO IVECO | DAILY (III SERIES) 06-99→05-06 DAILY (IV SERIES) 06-06→09-11 |
| 10876 | MERCEDES NISSAN - DATSUN RENAULT | MB 100 (631) 81→97 CABSTAR - ATLAS MASTER |
| 10877 | OPEL OPEL OPEL | ASTRA (G SERIES) ASTRA (H SERIES) ZAFIRA |
| 10878 | CHEVROLET CHEVROLET DAEWOO | AVEO SPARK KALOS |
| 10879 | DAEWOO | LANOS |
| 10880 | MERCEDES VOLKSWAGEN | SPRINTER (BM901-902-903-904-905) 95→06 LT SERIES |
| 10881 | MAZDA MAZDA MAZDA | 323 (BA SERIES) 05-94→01-01 323 (BJ SERIES) 05-98→05-04 MX5 |
| 10882 | MITSUBISHI MITSUBISHI MITSUBISHI MITSUBISHI MITSUBISHI | COLT GALANT (IV SERIES) 11-87→03-93 LANCER (III SERIES C1-C3) 11-83→06-92 LANCER (IV SERIES C6-C7) 04-88→05-94 LANCER (V SERIES CB-CD) 06-92→09-00 |
| 10883 | TOYOTA TOYOTA TOYOTA | COROLLA (E10 SERIES) 06-91→11-99 COROLLA (E11 SERIES) 04-97→06-02 RAV-4 |
| 10884 | VOLKSWAGEN VOLKSWAGEN | TRANSPORTER (II SERIES) 08-67→09-79 TRANSPORTER (III SERIES) 05-79→12-92 |
| 10885 | SEAT SEAT SEAT SKODA VOLKSWAGEN VOLKSWAGEN VOLKSWAGEN VOLKSWAGEN VOLKSWAGEN VOLKSWAGEN | ALTEA LEON TOLEDO ROOMSTER BORA CADDY FOX NEW BEETLE POLO (IV SERIES) 10-01→11-09 VENTO |
| 10886 | HONDA HONDA HONDA HONDA HONDA SUZUKI | CIVIC (V SERIES) CIVIC (VII SERIES) CIVIC (VIII SERIES) FR-V STREAM LIANA |
| 10887 | MAZDA MAZDA | 323 (BD SERIE) 06-80→10-89 626 |
| 10888 | FORD ROVER | CORTINA MG |
| 10889 | AUDI AUDI | 100 (C3 SERIES) 82→90 80 - 90 (B3 SERIES) 86→91 |



REPAIR KITS & THEIR APPLICATIONS



| | | |
|--------------|------------|-------------------------------------|
| 10889 | AUDI | CABRIOLET |
| | AUDI | COUPE |
| 10890 | AUDI | A1 |
| | AUDI | A3 (8P SERIES) 02→12 |
| | AUDI | TT (8J SERIES) 07→14 |
| | BMW | 1 SERIES (E81 - E87) 09-04→ |
| | BMW | 1 SERIES CABRIO (E88) 03-07→ |
| | BMW | 1 SERIES COUPE (E82) 09-07→ |
| | BMW | 3 SERIES (E90) 05→ |
| | BMW | 3 SERIES (E92) 6-06→ |
| | FORD | FIESTA |
| | FORD | FUSION |
| | FORD | KA |
| | FORD | PUMA |
| | MAZDA | 121 |
| | MAZDA | 2 |
| | RENAULT | CAPTUR |
| | RENAULT | GRAND SCENIC |
| | RENAULT | MEGANE |
| | RENAULT | SCENIC |
| | SEAT | ALTEA |
| | SEAT | IBIZA |
| | SEAT | LEON |
| | SEAT | TOLEDO |
| | SKODA | FABIA |
| | SKODA | OCTAVIA |
| | SKODA | RAPID |
| | SKODA | YETI |
| | TOYOTA | YARIS |
| | VOLKSWAGEN | CADDY |
| | VOLKSWAGEN | CC (358 SERIES) 11-11→ |
| | VOLKSWAGEN | EOS |
| | VOLKSWAGEN | GOLF (V SERIES) 10-03→02-09 |
| | VOLKSWAGEN | GOLF (VI SERIES) 10-08→11-13 |
| | VOLKSWAGEN | GOLF PLUS 01-05→ |
| | VOLKSWAGEN | JETTA (III SERIES) 08-05→10-10 |
| | VOLKSWAGEN | JETTA (IV SERIES) 04-10→ |
| | VOLKSWAGEN | NEW BEETLE |
| | VOLKSWAGEN | PASSAT (3C2 - 3C5) 03-05→ |
| | VOLKSWAGEN | POLO (V SERIES) 06-09→ |
| | VOLKSWAGEN | SCIROCCO |
| | VOLKSWAGEN | TOURAN |
| 10891 | HYUNDAI | COUPE |
| | HYUNDAI | ELANTRA |
| | HYUNDAI | LANTRA |
| | HYUNDAI | MATRIX |
| | HYUNDAI | SOLARIS |
| | KIA | JOICE |
| 10892 | SUBARU | IMPREZA |
| 10893 | MITSUBISHI | COLT |
| | MITSUBISHI | ECLIPSE |
| | MITSUBISHI | GALANT (IV SERIES) 11-87→03-93 |
| | MITSUBISHI | GALANT (V SERIES) 11-92→10-96 |
| | MITSUBISHI | LANCER (V SERIES CB-CD) 06-92→09-00 |
| | MITSUBISHI | SPACE RUNNER |
| | MITSUBISHI | SPACE WAGON |

| | | |
|--------------|------------|--|
| 10894 | PEUGEOT | 205 |
| | RENAULT | ESPACE |
| | RENAULT | FUEGO |
| | RENAULT | R18 |
| | RENAULT | R20 |
| | RENAULT | R30 |
| 10895 | RENAULT | R21 - NEVADA |
| 10896 | CITROËN | C5 |
| 10897 | JAGUAR | E-TYPE |
| | VOLVO | AMAZON |
| 10898 | ALFA ROMEO | SPIDER |
| 10899 | PEUGEOT | 504 |
| | PEUGEOT | 505 |
| 10900 | AUDI | A1 |
| | AUDI | A2 |
| | AUDI | A3 (8L SERIES) 96→03 |
| | AUDI | A3 (8P SERIES) 02→12 |
| | AUDI | TT (8N SERIES) 98→06 |
| | SEAT | IBIZA |
| | SEAT | TOLEDO |
| | SKODA | FABIA |
| | SKODA | OCTAVIA |
| | VOLKSWAGEN | GOLF (III SERIES) 08-91→07-98 |
| | VOLKSWAGEN | GOLF (IV SERIES) 08-97→06-05 |
| | VOLKSWAGEN | GOLF (V SERIES) 10-03→02-09 |
| | VOLKSWAGEN | GOLF (VI SERIES) 10-08→11-13 |
| | VOLKSWAGEN | GOLF PLUS 01-05→ |
| | VOLKSWAGEN | JETTA (III SERIES) 08-05→10-10 |
| | VOLKSWAGEN | PASSAT (3A2 - 35I - 3A5 - 35I) 02-88→12-97 |
| 10902 | RENAULT | R20 |
| | RENAULT | TRAFIC |
| 10903 | CHEVROLET | NUBIRA |
| | DAEWOO | NUBIRA |
| 10904 | MERCEDES | C-CLASS (W202) 3-93→5-00 |
| 10905 | MITSUBISHI | LANCER (III SERIES C1-C3) 11-83→06-92 |
| | MITSUBISHI | SPACE WAGON |
| | MITSUBISHI | TREDIA - CORDIA |
| 10906 | MAZDA | 929 |
| | MAZDA | B SERIES |
| 10907 | RENAULT | R21 - NEVADA |
| 10908 | TOYOTA | CAMRY |
| | TOYOTA | CARINA |
| | TOYOTA | CELICA |
| | TOYOTA | CORONA |
| 10909 | SUZUKI | BALENO |
| 10910 | SUZUKI | BALENO |
| 10911 | CITROËN | BERLINGO |
| | CITROËN | C4 |
| | FIAT | BRAVO - BRAVA |
| | FIAT | STILO |
| | LANCIA | YPSILON |
| | PEUGEOT | 1007 |
| | PEUGEOT | 207 |
| | PEUGEOT | 307 |
| | PEUGEOT | PARTNER |

MANUFACTURAS WRACKYNSON

www.wrackynson.com

Page 559 of 822



REPAIR KITS & THEIR APPLICATIONS



| | | |
|--------------|--|---|
| 10912 | PEUGEOT RENAULT | 206 KANGOO |
| 10914 | CITROËN CITROËN | C2 C3 |
| 10915 | LANCIA MITSUBISHI SMART | YPSILON COLT FORFOUR |
| 10916 | OPEL OPEL OPEL OPEL | COMBO CORSA (C SERIES) MERIVA TIGRA |
| 10918 | FIAT LANCIA LANCIA VOLKSWAGEN | TIPO DEDRA THEMA - GAMMA TRANSPORTER (IV SERIES) 07-90→04-03 |
| 10919 | TALBOT TALBOT | 1510 SOLARA |
| 10920 | FIAT RENAULT RENAULT RENAULT RENAULT RENAULT RENAULT | RITMO - NUOVA ALPINE R12 R15 R16 R17 R20 R5 - R6 |
| 10921 | NISSAN - DATSUN | ALMERA |
| 10922 | FIAT | MAREA |
| 10923 | PEUGEOT RENAULT RENAULT RENAULT RENAULT RENAULT | 505 FUEGO R18 R20 R30 R5 - R6 |
| 10925 | CITROËN | XSARA |
| 10926 | FORD FORD FORD FORD | CAPRI CORTINA GRANADA - CONSUL TAUNUS |
| 10928 | MAZDA | RX8 |
| 10929 | HYUNDAI HYUNDAI HYUNDAI KIA | ELANTRA i20 MATRIX RIO |
| 10930 | ALFA ROMEO LANCIA | 166 KAPPA |
| 10931 | HONDA HONDA HONDA HONDA HONDA HONDA HONDA HONDA HONDA ROVER | ACCORD (IV SERIES) 11-89→12-93 ACCORD (V SERIES) 03-93→10-98 CIVIC (VI SERIES) CR-V (I SERIES) FR-V HR-V LEGEND PRELUDE SHUTTLE 600 SERIES |
| 10932 | AUDI | A3 (8P SERIES) 02→12 |

| | | |
|--------------|--|--|
| | AUDI BMW BMW BMW BMW BMW FORD OPEL OPEL VOLKSWAGEN VOLKSWAGEN VOLKSWAGEN VOLVO VOLVO | TT (8J SERIES) 07→14 3 SERIES (E90) 05→ 3 SERIES (E92) 6-06→ 3 SERIES (E93) 8-06→ 3 TOURING (E91) 05→ X1 (E84) 03-09→ FOCUS SIGNUM VECTRA EOS GOLF (V SERIES) 10-03→02-09 GOLF (VI SERIES) 10-08→11-13 S40 - V40 - V50 S70 - V70 - C70 |
| 10933 | FORD SEAT VOLKSWAGEN VOLKSWAGEN | GALAXY ALHAMBRA SHARAN TRANSPORTER (IV SERIES) 07-90→04-03 |
| 10934 | FORD VOLKSWAGEN | GALAXY SHARAN |
| 10935 | MERCEDES | A-CLASS (W169) 09-04→ |
| 10936 | HONDA HONDA HONDA HONDA | ACCORD (III SERIES) 11-85→12-89 CIVIC (IV SERIES) LEGEND PRELUDE |
| 10937 | MAZDA | 6 |
| 10938 | AUDI CITROËN FIAT KIA MERCEDES MERCEDES MERCEDES MERCEDES MERCEDES MERCEDES MERCEDES MERCEDES PEUGEOT SKODA SUZUKI VOLKSWAGEN | A3 (8V SERIES) 04-12→ DS4 SEDCI VENGA A-CLASS (W169) 09-04→ B-CLASS (W245) 03-05→ C-CLASS (S202-S203) 6-96→ C-CLASS (W203) 5-00→ C-CLASS COUPE (CL203) 03-01→ CLK (C208-C209) 6-97→ Vaneo (414) 2-02→ 407 OCTAVIA SX4 GOLF (VII SERIES) 11-12→ |
| 10939 | DAF FORD ROVER ROVER | V200 FREIGHT - SHERPA TRANSIT (II SERIES) 78→86 2.300 - 2.400 - 2.600 - 3.500 TRIUMPH |
| 10940 | MERCEDES MERCEDES MERCEDES MERCEDES MERCEDES MERCEDES MERCEDES MERCEDES | 8 (W114) 68→02-77 8 (W115) 68→2-77 CABRIOLET HECKFLOSSE (W110-W111) 59→72 COUPE (W111) 1-61→12-71 PAGODE (W113) 63→72 S-CLASS (W108-W109) 1-66→8-72 SL (R107) 5-71→9-89 |
| 10941 | OPEL OPEL | OMEGA SENATOR - MONZA |
| 10942 | VOLKSWAGEN | LT SERIES |
| 10943 | HYUNDAI | GALLOPER |

MANUFACTURAS WRKYNSON

www.wrakynson.com

Page 560 of 822



REPAIR KITS & THEIR APPLICATIONS



| | | |
|-----------------|-----------------|-------------------------------------|
| 10969 | SAAB | 9.3 |
| | SEAT | EXEO |
| | VOLVO | S60 - S80 |
| | VOLVO | S70 - V70 - C70 |
| | VOLVO | V60 |
| | VOLVO | XC70 |
| | VOLVO | XC90 |
| 10970 | MERCEDES | 123 - 200 - 300 (W123 SERIES) 76→86 |
| | MERCEDES | COUPE (C123) 3-77→12-85 |
| | MERCEDES | KOMBI T MODEL (S123) 9-77→12-85 |
| | MERCEDES | S-CLASS (W116) 8-72→7-80 |
| | MERCEDES | S-CLASS (W126) 10-79→6-91 |
| | MERCEDES | SL (R107) 5-71→9-89 |
| | MERCEDES | SL COUPE (C107) 01-72→9-81 |
| 10971 | MERCEDES | 123 - 200 - 300 (W123 SERIES) 76→86 |
| | MERCEDES | 8 (W114) 68→02-77 |
| | MERCEDES | 8 (W115) 68→2-77 |
| | MERCEDES | COUPE (C123) 3-77→12-85 |
| | MERCEDES | KOMBI T MODEL (S123) 9-77→12-85 |
| | MERCEDES | S-CLASS (W116) 8-72→7-80 |
| | MERCEDES | SL (R107) 5-71→9-89 |
| 10972 | MERCEDES | 123 - 200 - 300 (W123 SERIES) 76→86 |
| | MERCEDES | COUPE (C123) 3-77→12-85 |
| | MERCEDES | KOMBI T MODEL (S123) 9-77→12-85 |
| | MERCEDES | S-CLASS (W126) 10-79→6-91 |
| | MERCEDES | SL (R107) 5-71→9-89 |
| | MERCEDES | SL COUPE (C107) 01-72→9-81 |
| | MERCEDES | UNIMOG 01-66→ |
| 10973 | FORD | ESCORT - ORION |
| | FORD | MONDEO |
| | FORD | SCORPIO |
| 10974 | JAGUAR | XJ - XJS |
| | JAGUAR | XK SERIES |
| 10975 | BMW | 5 SERIES (E39) 96→ |
| | BMW | 7 SERIES (E38) 94→ |
| | BMW | X3 (E83) |
| | BMW | X5 (E53) 01→ |
| | LAND ROVER | RANGE ROVER |
| 10976 | FORD | COUGAR |
| | FORD | SCORPIO |
| 10977 | NISSAN - DATSUN | 300ZX |
| | NISSAN - DATSUN | BLUEBIRD |
| | NISSAN - DATSUN | CABSTAR - ATLAS |
| | NISSAN - DATSUN | CEDRIC |
| | NISSAN - DATSUN | LAUREL |
| | NISSAN - DATSUN | MAXIMA |
| | NISSAN - DATSUN | PICK-UP |
| | NISSAN - DATSUN | PRAIRIE |
| | NISSAN - DATSUN | SILVIA |
| | NISSAN - DATSUN | URVAN |
| | 10978 | NISSAN - DATSUN |
| NISSAN - DATSUN | | VANETTE |

| | | | |
|--------------|---------------------------|-----------------------------------|-------------------------|
| 10979 | FORD | SIERRA | |
| | 10980 | ISUZU | CHEVROLET LUV PICK - UP |
| | | ISUZU | D-MAX |
| 10981 | ISUZU | FASTER (PICK-UP - KB - KBG - KBD) | |
| | ISUZU | TROOPER | |
| | OPEL | FRONTERA | |
| 10982 | ISUZU | TROOPER | |
| | OPEL | FRONTERA | |
| | OPEL | MONTEREY | |
| 10983 | HYUNDAI | H100 (VAN) | |
| 10984 | TOYOTA | LITEACE | |
| | TOYOTA | PREVIA | |
| 10985 | FORD | ECONOVAN | |
| | KIA | BESTA | |
| | KIA | K2500 - K2700 | |
| | MAZDA | E1 - E2 (VAN - WAGON - PICK-UP) | |
| 10986 | MAZDA | E2 - E3 - T (TRUCKS) | |
| | MITSUBISHI | SAPPORO | |
| 10987 | MITSUBISHI | MONTERO | |
| | MITSUBISHI | PAJERO | |
| 10988 | AUDI | 100 (C4 SERIES) 90→95 | |
| | AUDI | V8 | |
| 10989 | CITROËN | C8 | |
| | CITROËN | JUMPY | |
| | FIAT | SCUDO | |
| | FIAT | ULYSSE | |
| | LANCIA | PHEDRA | |
| | LANCIA | THESIS | |
| | PEUGEOT | 807 | |
| | PEUGEOT | EXPERT | |
| | HYUNDAI | GENESIS | |
| | HYUNDAI | SONATA | |
| HYUNDAI | TUCSON | | |
| 10990 | KIA | OPIRUS | |
| | KIA | SPORTAGE | |
| 10991 | TOYOTA | RAV-4 | |
| 10992 | MERCEDES | E-CLASS (W211-S211) 3-02→ | |
| | MERCEDES | S-CLASS (W220) 10-98→08-05 | |
| 10993 | MERCEDES | T2-LN1 (BM667-668-669-670) 3-86→ | |
| | MERCEDES | VARIO 9-96→ | |
| 10994 | MERCEDES | E-CLASS (W211-S211) 3-02→ | |
| 10995 | NISSAN - DATSUN | QASHQAI | |
| | NISSAN - DATSUN | X-TRAIL | |
| 10996 | IVECO | DAILY (IV SERIES) 06-06→09-11 | |
| | JEEP | CHEROKEE | |
| | JEEP | GRAND CHEROKEE | |
| | JEEP | WRANGLER | |
| 10997 | KIA | CARNIVAL | |
| | CITROËN | AX | |
| | CITROËN | SAXO | |
| 10998 | PEUGEOT | 106 | |
| | MERCEDES | E-CLASS (W211-S211) 3-02→ | |
| | MERCEDES | G-CLASS (W460-461-463) 79→ | |
| | MERCEDES | GL-CLASS (X164) 9-06→ | |
| | MERCEDES | M-CLASS (W164) 7-05→ | |
| MERCEDES | R-CLASS (W251-V251) 1-06→ | | |

MANUFACTURAS WRAKYNSON

www.wrakynson.com

Page 562 of 822



REPAIR KITS & THEIR APPLICATIONS



| | | |
|--------------|--|---|
| 10998 | VOLKSWAGEN VOLVO | TRANSPORTER (V SERIES) 04-03→ XC60 |
| 10999 | LAND ROVER LAND ROVER SUBARU VOLKSWAGEN | RANGE ROVER RANGE ROVER SPORT IMPREZA TOUAREG |
| 11000 | IVECO IVECO MERCEDES MERCEDES NISSAN - DATSUN VOLKSWAGEN | DAILY (III SERIES) 06-99→05-06 DAILY (IV SERIES) 06-06→09-11 SPRINTER (906) 06→ VITO (W639) 9-03→ CABSTAR - ATLAS CRAFTER |
| 11001 | AUDI PORSCHE VOLKSWAGEN | Q7 944 TOUAREG |
| 11002 | VOLVO VOLVO | S60 - S80 S70 - V70 - C70 |
| 11003 | BMW BMW BMW BMW BMW BMW BMW | 1 SERIES (E81 - E87) 09-04→ 1 SERIES CABRIO (E88) 03-07→ 1 SERIES COUPE (E82) 09-07→ 3 SERIES (E90) 05→ 3 SERIES (E92) 6-06→ 3 SERIES (E93) 8-06→ 3 TOURING (E91) 05→ |
| 11004 | TOYOTA | YARIS |
| 11005 | LADA | NIVA (2121) |
| 11006 | MERCEDES MERCEDES MERCEDES | A-CLASS (W169) 09-04→ B-CLASS (W245) 03-05→ Vaneo (414) 2-02→ |
| 11007 | NISSAN - DATSUN | SUNNY - PULSAR - 100NX (B13 SERIES) |
| 11008 | mitsubishi | GALANT (III SERIES) 10-83→04-90 |
| 11009 | TOYOTA TOYOTA TOYOTA | COROLLA (E10 SERIES) 06-91→11-99 COROLLA (E11 SERIES) 04-97→06-02 COROLLA (E9 - SERIES) 05-87→10-95 |
| 11010 | AUDI VOLKSWAGEN | Q7 TOUAREG |
| 11011 | DAIHATSU MAZDA | CHARADE MX3 |
| 11012 | HONDA HONDA HONDA | ACCORD (III SERIES) 11-85→12-89 INTEGRA PRELUDE |
| 11013 | MITSUBISHI MITSUBISHI MITSUBISHI MITSUBISHI MITSUBISHI MITSUBISHI | COLT ECLIPSE GALANT (III SERIES) 10-83→04-90 GALANT (IV SERIES) 11-87→03-93 LANCER (IV SERIES C6-C7) 04-88→05-94 LANCER (V SERIES CB-CD) 06-92→09-00 |
| 11014 | HYUNDAI | i20 |
| 11015 | RENAULT RENAULT | CLIO MEGANE |
| 11031 | HYUNDAI KIA | ACCENT RIO |
| 11041 | BMW | 3 SERIES (E30) 83→ |

| | | |
|--------------|--|--|
| | BMW BMW BMW | 5 SERIES (E28) 81→88 6 SERIES (E24) 76→88 7 SERIES (E23) 77→86 |
| 11046 | HONDA | PRELUDE |
| 11047 | KIA | PICANTO |
| 11051 | HYUNDAI HYUNDAI HYUNDAI KIA NISSAN - DATSUN NISSAN - DATSUN NISSAN - DATSUN NISSAN - DATSUN | COUPE ELANTRA LANTRA CERATO ALMERA MAXIMA PRIMERA SUNNY - PULSAR - 100NX (B13 SERIES) |
| 11056 | KIA | SOUL |
| 11067 | HYUNDAI HYUNDAI HYUNDAI KIA | i30 ix20 VELOSTER PICANTO |
| 11083 | CHEVROLET CHEVROLET DAEWOO | EPICA EVANDA EVANDA |
| 11089 | mitsubishi mitsubishi mitsubishi mitsubishi mitsubishi | CARISMA COLT ECLIPSE GALANT (IV SERIES) 11-87→03-93 LANCER (IV SERIES C6-C7) 04-88→05-94 |
| 11093 | CHRYSLER DODGE DODGE JEEP JEEP MITSUBISHI MITSUBISHI MITSUBISHI | SEBRING AVENGER CALIBER COMPASS PATRIOT ASX LANCER (VII SERIES CX-CY-CZ) 03-07→ OUTLANDER |
| 11103 | TOYOTA | COROLLA (E11 SERIES) 04-97→06-02 |
| 11125 | HONDA HONDA | ACCORD (VI SERIES) 03-97→12-03 LEGEND |
| 11127 | KIA | CARENS |
| 11128 | CHEVROLET MITSUBISHI MITSUBISHI MITSUBISHI MITSUBISHI OPEL SUBARU | TRANS SPORT GALANT (V SERIES) 11-92→10-96 L400 SPACE GEAR SPACE WAGON SINTRA IMPREZA |
| 11129 | CITROËN MITSUBISHI MITSUBISHI MITSUBISHI MITSUBISHI PEUGEOT | C CROSSER GRANDIS LANCER (VI SERIES CS-CT) 12-00→03-11 LANCER (VII SERIES CX-CY-CZ) 03-07→ OUTLANDER 4007 |
| 11130 | ISUZU TOYOTA | IMPULSE CELICA |



REPAIR KITS & THEIR APPLICATIONS



| | | |
|--------------|------------|--|
| 11130 | TOYOTA | SUPRA |
| 11136 | TOYOTA | AVENSIS |
| | TOYOTA | CAMRY |
| 11137 | TOYOTA | CARINA |
| 11138 | TOYOTA | CAMRY |
| | TOYOTA | RAV-4 |
| 11141 | SUBARU | TREZIA |
| | TOYOTA | AURIS |
| | TOYOTA | COROLLA (E15 SERIES) 11-06→ |
| | TOYOTA | IQ |
| | TOYOTA | PRIUS |
| | TOYOTA | URBAN CRUISER |
| | TOYOTA | YARIS |
| 11143 | HONDA | ACCORD (VII SERIES) 02-03→ |
| | HONDA | CR-V (II SERIES) |
| | HONDA | FR-V |
| | HONDA | LEGEND |
| | HONDA | SHUTTLE |
| | HONDA | STREAM |
| 11145 | HONDA | ACCORD (VIII SERIES) 06-08→ |
| 11156 | HONDA | CR-V (III SERIES) |
| | HONDA | CR-V (IV SERIES) |
| 11164 | HYUNDAI | SONATA |
| 11170 | AUDI | 100 (C4 SERIES) 90→95 |
| | AUDI | 80 (B4 SERIES) 91→95 |
| | AUDI | A4 (B5 SERIES) 94→01 |
| | AUDI | A6 (C4 SERIES) 94→97 |
| | AUDI | CABRIOLET |
| | FORD | GALAXY |
| | SEAT | ALHAMBRA |
| | SEAT | CORDOBA |
| | SEAT | IBIZA |
| | SEAT | TOLEDO |
| | VOLKSWAGEN | GOLF (III SERIES) 08-91→07-98 |
| | VOLKSWAGEN | GOLF (IV SERIES) 08-97→06-05 |
| | VOLKSWAGEN | PASSAT (3A2 - 351 - 3A5 - 351) 02-88→12-97 |
| | VOLKSWAGEN | POLO (III SERIES) 09-94→10-01 |
| | VOLKSWAGEN | SHARAN |
| | VOLKSWAGEN | VENTO |
| | VOLVO | S40 - V40 - V50 |
| 11185 | BMW | 5 SERIES (E39) 96→ |
| 11197 | CHEVROLET | CRUZE |
| | CHEVROLET | ORLANDO |
| | OPEL | ASTRA (J SERIES) |
| | OPEL | ZAFIRA |
| 11207 | AUDI | A6 (C6 SERIES) 04→11 |
| | AUDI | Q3 |
| | VOLKSWAGEN | CC (358 SERIES) 11-11→ |
| | VOLKSWAGEN | PASSAT (3C2 - 3C5) 03-05→ |
| | VOLKSWAGEN | TIGUAN |
| | VOLVO | S60 - S80 |
| | VOLVO | XC70 |
| 11219 | VOLVO | S60 - S80 |
| | VOLVO | S70 - V70 - C70 |
| | VOLVO | XC70 |
| 11221 | LEXUS | RX |

| | | |
|--------------|-----------------|---------------------------------|
| 11224 | HYUNDAI | H1 |
| 11229 | MERCEDES | C-CLASS (S202-S203) 6-96→ |
| | MERCEDES | C-CLASS (W203) 5-00→ |
| | MERCEDES | C-CLASS COUPE (CL203) 03-01→ |
| | MERCEDES | CLK (C208-C209) 6-97→ |
| 11243 | HYUNDAI | SANTA FÉ |
| 11248 | LEXUS | LS |
| | TOYOTA | SUPRA |
| 11252 | MAZDA | E1 - E2 (VAN - WAGON - PICK-UP) |
| 11254 | HYUNDAI | H1 |
| 11256 | TOYOTA | HILUX |
| 11258 | HYUNDAI | TERRACAN |
| 11259 | NISSAN - DATSUN | MURANO |
| | NISSAN - DATSUN | QASHQAI |
| | RENAULT | KOLEOS |
| 11272 | AUDI | A4 (B5 SERIES) 94→01 |
| | AUDI | A6 (C5 SERIES) 97→04 |
| | AUDI | A8 (4D SERIES) 94→03 |
| | AUDI | ALLROAD |
| 11275 | AUDI | 50 |
| | AUDI | 80 - 90 (B2 SERIES) 78→86 |
| | AUDI | 80 (B1 SERIES) 72→78 |
| | VOLKSWAGEN | GOLF (I SERIES) 04-74→12-85 |
| | VOLKSWAGEN | JETTA (I SERIES) 08-78→02-84 |
| | VOLKSWAGEN | PASSAT (32 - 33) 05-73→07-80 |
| | VOLKSWAGEN | POLO (I SERIES) 03-75→09-81 |
| | VOLKSWAGEN | POLO (II SERIES) 10-81→09-94 |
| 11277 | VOLKSWAGEN | TOUAREG |
| 11278 | MERCEDES | CLS (C218) 01-11→ |
| | MERCEDES | CLS (C219) 10-04→ |
| | MERCEDES | E-CLASS (W211-S211) 3-02→ |
| | MERCEDES | E-CLASS (W212-S212) 01-09→ |
| | MERCEDES | S-CLASS (C215-C216) 3-99→ |
| | MERCEDES | S-CLASS (W221) 10-05→ |
| 11296 | MAZDA | CX-7 |
| | MAZDA | CX-9 |
| 11297 | LEXUS | LX |
| | TOYOTA | LAND CRUISER |
| 11301 | CITROËN | JUMPER |
| | FIAT | DUCATO |
| | PEUGEOT | BOXER |
| 11302 | CITROËN | JUMPER |
| | FIAT | DUCATO |
| | PEUGEOT | BOXER |
| 11306 | CITROËN | JUMPER |
| | FIAT | DUCATO |
| | PEUGEOT | BOXER |
| 11308 | IVECO | DAILY (III SERIES) 06-99→05-06 |
| | RENAULT | MASCOTT |
| 11315 | FIAT | 500 |
| | FIAT | PANDA - MARBELLA |
| | FORD | KA |
| 11326 | SUZUKI | SJ410 - SJ413 - SAMURAI |
| | SUZUKI | VITARA - GRAND VITARA |
| 11333 | IVECO | DAILY (IV SERIES) 06-06→09-11 |
| 11339 | TOYOTA | COROLLA (E7 SERIES) 09-79→08-87 |



REPAIR KITS & THEIR APPLICATIONS



| | | |
|--------------|-----------------|---|
| 11339 | TOYOTA | COROLLA (E8 SERIES) 05-83→06-89 |
| 11340 | TOYOTA | IQ |
| 11341 | TOYOTA | STARLET |
| 11343 | RENAULT | R12 |
| | RENAULT | R18 |
| | RENAULT | R5 - R6 |
| | SEAT | 127 - FURA |
| 11344 | SEAT | RITMO - RONDA |
| 11348 | MITSUBISHI | COLT |
| 11351 | KIA | CARNIVAL |
| 11352 | KIA | PICANTO |
| 11353 | HONDA | CIVIC (IV SERIES) |
| 11354 | DAIHATSU | CHARMANT |
| | TOYOTA | CARINA |
| | TOYOTA | CELICA |
| | TOYOTA | COROLLA (E7 SERIES) 09-79→08-87 |
| | TOYOTA | CORONA |
| 11355 | TOYOTA | COROLLA (E8 SERIES) 05-83→06-89 |
| 11356 | DAIHATSU | CHARMANT |
| | MAZDA | 323 (FA SERIES) 01-77→05-86 |
| | MAZDA | RX5 |
| | MAZDA | RX7 |
| | TOYOTA | CARINA |
| | TOYOTA | CELICA |
| | TOYOTA | COROLLA (KE - TE SERIES) 02-70→11-81 |
| | TOYOTA | CORONA |
| 11357 | NISSAN - DATSUN | PATROL |
| 11358 | HONDA | CIVIC (IV SERIES) |
| 11359 | DAIHATSU | COPEN |
| | DAIHATSU | SIRION |
| | SUBARU | JUSTY |
| 11360 | KIA | PICANTO |
| 11361 | NISSAN - DATSUN | PIXO |
| 11362 | IVECO | DAILY (III SERIES) 06-99→05-06 |
| | MERCEDES | SPRINTER (906) 06→ |
| | NISSAN - DATSUN | CABSTAR - ATLAS |
| | RENAULT | MASCOTT |
| | VOLKSWAGEN | CRAFTER |
| 11363 | OPEL | REKORD |
| 11365 | CITROËN | XANTIA |
| 11366 | FIAT | IDEA |
| | FIAT | MULTIPLA |
| | FIAT | PALIO |
| 11367 | VOLKSWAGEN | TRANSPORTER (II SERIES) 08-67→09-79 |
| | VOLKSWAGEN | TRANSPORTER (III SERIES) 05-79→12-92 |
| 11368 | CITROËN | XANTIA |
| 11369 | DAIHATSU | SIRION |
| | SUBARU | JUSTY |
| 11370 | ALFA ROMEO | 147 |
| | ALFA ROMEO | 156 |
| | ALFA ROMEO | GT |
| 11371 | NISSAN - DATSUN | PRIMERA |
| 11372 | KIA | SPORTAGE |

| | | |
|--------------|-----------------|--|
| 11373 | DACIA | LOGAN |
| 11374 | MAZDA | 2 |
| 11375 | CHEVROLET | AVEO |
| 11376 | HONDA | ACCORD (III SERIES) 11-85→12-89 |
| | HONDA | CRX |
| | HONDA | INTEGRA |
| | HONDA | PRELUDE |
| 11377 | FORD | FOCUS |
| 11378 | DACIA | DOKKER |
| | DACIA | DUSTER |
| | DACIA | LODGY |
| | FIAT | 500 |
| | FIAT | PANDA - MARBELLA |
| | FIAT | PUNTO (199 SERIES) |
| | LANCIA | YPSILON |
| | RENAULT | FLUENCE |
| | RENAULT | MEGANE |
| | RENAULT | SCENIC |
| 11379 | HONDA | CIVIC (VI SERIES) |
| | HONDA | CRX |
| 11380 | NISSAN - DATSUN | BLUEBIRD |
| 11381 | NISSAN - DATSUN | LAUREL |
| 11382 | NISSAN - DATSUN | ALMERA |
| | NISSAN - DATSUN | PRIMERA |
| | NISSAN - DATSUN | SUNNY - PULSAR - 100NX (B13 SERIES) |
| 11383 | KIA | SEPHIA |
| | KIA | SHUMA |
| 11384 | SAAB | 90 |
| | SAAB | 900 |
| | SAAB | 99 |
| 11385 | OPEL | CALIBRA |
| | OPEL | OMEGA |
| | OPEL | VECTRA |
| 11386 | OPEL | CALIBRA |
| | OPEL | OMEGA |
| | OPEL | VECTRA |
| | SAAB | 900 |
| 11387 | AUDI | 100 (C2 SERIES) 76→82 |
| | AUDI | 200 |
| 11388 | MAZDA | 929 |
| 11389 | KIA | RIO |
| | KIA | SHUMA |
| 11390 | KIA | RIO |
| 11391 | ROVER | MG |
| | ROVER | TRIUMPH |
| 11392 | TOYOTA | YARIS |
| 11393 | ISUZU | CHEVROLET LUV PICK - UP |
| | ISUZU | FASTER (PICK-UP - KB - KBG - KBD) |
| | ISUZU | SETA |
| | ISUZU | TROOPER |
| 11394 | MAZDA | B SERIES |
| 11395 | DAIHATSU | FEROZA |
| | DAIHATSU | ROCKY |
| 11396 | MAZDA | 929 |
| 11397 | VOLKSWAGEN | TRANSPORTER (II SERIES) 08-67→09-79 |

MANUFACTURAS WRACKYNSON

www.wrakynson.com

Page 565 of 822



REPAIR KITS & THEIR APPLICATIONS



| | | |
|--------------|-----------------|---------------------------------------|
| 11398 | HONDA | CIVIC (IV SERIES) |
| | HONDA | CRX |
| | HONDA | PRELUDE |
| 11399 | BMW | 3 SERIES (E30) 83→ |
| | BMW | 5 SERIES (E28) 81→88 |
| 11400 | FORD | PROBE |
| | MAZDA | 626 |
| 11401 | TOYOTA | PRIUS |
| 11402 | FORD | FIESTA |
| 11403 | CHRYSLER | NEON |
| 11404 | HYUNDAI | ACCENT |
| 11405 | DAIHATSU | TERIOS |
| 11406 | MAZDA | L200 |
| | MAZDA | L300 |
| | MAZDA | MONTERO |
| | MAZDA | PAJERO |
| 11407 | SUBARU | IMPREZA |
| | SUBARU | LEGACY (I SERIES) 01-89→08-94 |
| | SUBARU | LEGACY (II SERIES) 02-94→03-99 |
| 11408 | TOYOTA | COROLLA (E12 SERIES) 03-01→05-04 |
| | TOYOTA | COROLLA (E13 SERIES) 03-04→04-09 |
| 11409 | NISSAN - DATSUN | PRIMERA |
| 11410 | KIA | CARENS |
| | KIA | CLARUS |
| 11411 | KIA | CARENS |
| | KIA | CLARUS |
| 11412 | KIA | RETONA |
| | KIA | SPORTAGE |
| 11413 | MERCEDES | 8 (W114) 68→02-77 |
| | MERCEDES | 8 (W115) 68→2-77 |
| | MERCEDES | PAGODE (W113) 63→72 |
| | MERCEDES | S-CLASS (W126) 10-79→6-91 |
| | MERCEDES | S-CLASS (W140) 2-91→10-98 |
| | MERCEDES | S-CLASS COUPE (C126) 10-81→6-91 |
| 11414 | HONDA | CR-V (I SERIES) |
| | HONDA | CR-V (II SERIES) |
| 11415 | ISUZU | MIDI |
| 11416 | MAZDA | GALANT (II SERIES) 09-80→05-84 |
| | MAZDA | LANCER (II SERIES A17) 03-83→09-86 |
| | MAZDA | SAPORO |
| | MAZDA | STARION |
| | MAZDA | CRESSIDA |
| 11417 | MAZDA | MONTERO |
| | MAZDA | PAJERO |
| 11418 | SUZUKI | VITARA - GRAND VITARA |
| 11419 | TOYOTA | CROWN |
| 11420 | MAZDA | 6 |
| 11421 | HONDA | ACCORD (IV SERIES) 11-89→12-93 |
| 11422 | SUBARU | IMPREZA |
| | SUBARU | LEGACY (II SERIES) 02-94→03-99 |
| | SUBARU | LEGACY (III SERIES) 10-98→08-03 |
| 11423 | FIAT | CROMA |
| | OPEL | SIGNUM |
| | OPEL | VECTRA |

| | | |
|--------------|-----------------|---|
| 11424 | MAZDA | 6 |
| 11425 | HYUNDAI | ELANTRA |
| | KIA | CERATO |
| | KIA | MAGENTIS |
| | KIA | SOUL |
| 11426 | TOYOTA | CELICA |
| | TOYOTA | COROLLA (E12 SERIES) 03-01→05-04 |
| | TOYOTA | COROLLA VERSO (E12 SERIES) 09-01→01-04 |
| | TOYOTA | PRIUS |
| 11427 | MERCEDES | C-CLASS (T202) 6-96→3-01 |
| | MERCEDES | C-CLASS (W202) 3-93→5-00 |
| | MERCEDES | CLK (C208-C209) 6-97→ |
| | MERCEDES | E-CLASS (W210-S210-T210) 6-95→3-03 |
| | MERCEDES | SLK (R170) 4-96→4-04 |
| 11428 | HYUNDAI | i30 |
| | HYUNDAI | ix20 |
| | HYUNDAI | VELOSTER |
| | KIA | CEE'D |
| 11429 | HYUNDAI | COUPE |
| 11430 | KIA | CLARUS |
| 11431 | NISSAN - DATSUN | CUBE |
| | NISSAN - DATSUN | JUKE |
| | NISSAN - DATSUN | LEAF |
| | NISSAN - DATSUN | TEANA |
| | NISSAN - DATSUN | TIIDA |
| 11432 | TOYOTA | CAMRY |
| | TOYOTA | CARINA |
| | TOYOTA | CELICA |
| 11433 | LEXUS | CT200H |
| | TOYOTA | PRIUS |
| 11434 | ISUZU | CHEVROLET LUV PICK - UP |
| | ISUZU | FASTER (PICK-UP - KB - KBG - KBD) |
| | ISUZU | TROOPER |
| 11435 | TOYOTA | CELICA |
| | TOYOTA | F-MODEL |
| | TOYOTA | LITEACE |
| | TOYOTA | SUPRA |
| 11436 | CHEVROLET | EPICA |
| | CHEVROLET | EVANDA |
| | CHEVROLET | TACUMA |
| | DAEWOO | EVANDA |
| | DAEWOO | LEGANZA |
| | DAEWOO | REZZO |
| | DAEWOO | TACUMA |
| 11437 | CITROËN | XANTIA |
| | CITROËN | XM |
| 11438 | MITSUBISHI | LANCER (VII SERIES CX-CY-CZ) 03-07→ |
| | MITSUBISHI | OUTLANDER |
| 11439 | CHRYSLER | PT CRUISER |
| 11440 | CHRYSLER | SEBRING |
| | DODGE | CALIBER |
| | JEEP | COMPASS |
| | JEEP | PATRIOT |
| 11441 | HONDA | PRELUDE |

MANUFACTURAS WRKYNSON

www.wrakynson.com

Page 566 of 822



REPAIR KITS & THEIR APPLICATIONS



| | | |
|--------------|--------------|---|
| 11442 | TOYOTA | YARIS |
| 11443 | CITROËN | XANTIA |
| | CITROËN | XM |
| 11444 | AUDI | A4 (B8 SERIES) 08→ |
| | AUDI | A5 |
| 11445 | MERCEDES | C-CLASS (S202-S203) 6-96→ |
| | MERCEDES | C-CLASS (W203) 5-00→ |
| | MERCEDES | CLC-CLASS (203) 5-08→ |
| | MERCEDES | CLK (A208-A209) 3-98→ |
| | MERCEDES | CLK (C208-C209) 6-97→ |
| | MERCEDES | SLK (R171) 3-04→ |
| 11446 | OPEL | COMMODORE |
| | OPEL | DIPLOMAT |
| | OPEL | SENATOR - MONZA |
| 11447 | FORD | CARGO |
| | VOLVO TRUCKS | F SERIES |
| 11448 | VOLVO TRUCKS | F SERIES |
| 11449 | AUDI | 100 (C3 SERIES) 82→90 |
| | AUDI | 200 |
| | FORD | SCORPIO |
| 11450 | SUZUKI | VITARA - GRAND VITARA |
| 11451 | CHRYSLER | LE BARON |
| 11452 | BMW | 5 GRAN TURISMO (F07) 10-09→ |
| | BMW | 5 SERIES (F10 - F11 - F18) 03-10→ |
| | BMW | 7 SERIES (F01 - F02 - F03 - F04) 10-08→ |
| | JAGUAR | XF |
| | JAGUAR | XJ - XJS |
| 11453 | MERCEDES | M-CLASS (W163) 2-98→6-05 |
| 11454 | MERCEDES | M-CLASS (W163) 2-98→6-05 |
| 11455 | SUBARU | TREZIA |
| | TOYOTA | AURIS |
| | TOYOTA | COROLLA (E14 SERIES) 09-06→ |
| | TOYOTA | COROLLA (E15 SERIES) 11-06→ |
| | TOYOTA | URBAN CRUISER |
| 11456 | IVECO | DAILY (IV SERIES) 06-06→09-11 |
| | IVECO | EUROCARGO |
| 11457 | OPEL | SIGNUM |
| | OPEL | VECTRA |
| | SAAB | 9.3 |
| 11458 | IVECO | EUROCARGO |
| 11459 | FORD | CARGO |
| | IVECO | EUROCARGO |
| | MERCEDES | T2-LN1 (BM667-668-669-670) 3-86→ |
| | MERCEDES | VARIO 9-96→ |
| 11460 | KIA | CARENS |
| 11461 | FORD | CARGO |
| | IVECO | EUROCARGO |
| 11462 | FIAT | CROMA |
| | MERCEDES | A-CLASS (W176) 06-12→ |
| | MERCEDES | B-CLASS (W246) 11-11→ |
| 11463 | CHEVROLET | AVEO |
| | CHEVROLET | CRUZE |
| | CHEVROLET | ORLANDO |
| | OPEL | ASTRA (J SERIES) |
| | OPEL | MOKKA |
| 11464 | MITSUBISHI | L200 |

| | | |
|--------------|-----------------|---------------------------------|
| | NISSAN - DATSUN | NV200 |
| 11466 | AUDI | A6 (C7 SERIES) 11→ |
| | AUDI | A7 |
| | AUDI | Q5 |
| | MERCEDES | C-CLASS (W204-S204) 1-07→ |
| 11467 | HYUNDAI | i40 |
| 11468 | SSANYONG | KORANDO |
| | SSANYONG | MUSSO |
| 11469 | HYUNDAI | ix35 |
| | HYUNDAI | SONATA |
| 11470 | SUZUKI | VITARA - GRAND VITARA |
| 11471 | CITROËN | XANTIA |
| 11472 | CHRYSLER | 300M |
| 11473 | NISSAN - DATSUN | NV400 |
| | OPEL | MOVANO |
| | RENAULT | MASTER |
| 11474 | MERCEDES | C-CLASS (W204-S204) 1-07→ |
| | MERCEDES | E-CLASS (W212-S212) 01-09→ |
| | MERCEDES | E-CLASS CABRIO (A207) |
| | MERCEDES | E-CLASS COUPE (C207) 01-09→ |
| | MERCEDES | GLA (X156) 12-13→ |
| | MERCEDES | SLK (R172) 02-11→ |
| 11475 | CITROËN | XANTIA |
| 11476 | HYUNDAI | GRANDEUR |
| 11477 | MERCEDES | S-CLASS COUPE (C126) 10-81→6-91 |
| 11478 | LEXUS | ES |
| | TOYOTA | CAMRY |
| 11479 | TOYOTA | AURIS |
| | TOYOTA | CAMRY |
| | TOYOTA | RAV-4 |
| 11480 | LEXUS | RX |
| | TOYOTA | PREVIA |
| 11481 | CHEVROLET | TRANS SPORT |
| | OPEL | SINTRA |
| 11482 | TOYOTA | PREVIA |
| 11483 | TOYOTA | AVENSIS |
| 11484 | TOYOTA | PREVIA |
| 11485 | JEEP | CHEROKEE |
| 11486 | CHRYSLER | VOYAGER |
| 11487 | CHRYSLER | VOYAGER |
| 11488 | CHRYSLER | VOYAGER |
| | DODGE | JOURNEY |
| | DODGE | NITRO |
| | JEEP | CHEROKEE |
| | JEEP | WRANGLER |
| 11489 | TOYOTA | DYNA |
| | TOYOTA | HIACE |
| 11490 | TOYOTA | HIACE |
| 11491 | TOYOTA | HIACE |
| 11492 | IVECO | EUROCARGO |
| 11493 | FORD | CARGO |
| | VOLVO TRUCKS | F SERIES |
| 11494 | FORD | CARGO |
| | VOLVO TRUCKS | F SERIES |
| 11495 | IVECO | EUROCARGO |
| 11496 | IVECO | EUROCARGO |

MANUFACTURAS WRACKYNSON

www.wrakynson.com

Page 567 of 822



REPAIR KITS & THEIR APPLICATIONS



| | | |
|--------------|-----------------|--------------------------------------|
| 11497 | IVECO | EUROCARGO |
| 11498 | PORSCHE | 928 |
| | PORSCHE | 928 |
| | PORSCHE | 944 |
| | PORSCHE | 944 |
| 11499 | MAZDA | MPV |
| | MAZDA | MPV |
| | SUBARU | FORESTER |
| | SUBARU | FORESTER |
| | SUBARU | IMPREZA |
| | SUBARU | IMPREZA |
| 11500 | LEXUS | LS |
| | LEXUS | LS |
| 11502 | DODGE | DURANGO |
| | DODGE | DURANGO |
| | JEEP | CHEROKEE |
| | JEEP | CHEROKEE |
| | JEEP | GRAND CHEROKEE |
| | JEEP | GRAND CHEROKEE |
| 11503 | DODGE | DURANGO |
| | DODGE | DURANGO |
| | JEEP | CHEROKEE |
| | JEEP | CHEROKEE |
| | JEEP | GRAND CHEROKEE |
| | JEEP | GRAND CHEROKEE |
| | MERCEDES | G-CLASS (W460-461-463) 79→ |
| | MERCEDES | G-CLASS (W460-461-463) 79→ |
| | MERCEDES | M-CLASS (166) ML 06-11→ |
| | MERCEDES | M-CLASS (166) ML 06-11→ |
| 11504 | DAIHATSU | TERIOS |
| | DAIHATSU | TERIOS |
| 11505 | HYUNDAI | ELANTRA |
| 11506 | NISSAN - DATSUN | SUNNY - PULSAR - 100NX (B13 SERIES) |
| 11507 | MITSUBISHI | GALANT (III SERIES) 10-83→04-90 |
| 11508 | TOYOTA | COROLLA (E10 SERIES) 06-91→11-99 |
| | TOYOTA | COROLLA (E11 SERIES) 04-97→06-02 |
| | TOYOTA | COROLLA (E9 - SERIES) 05-87→10-95 |
| 11509 | MITSUBISHI | COLT |
| | MITSUBISHI | ECLIPSE |
| | MITSUBISHI | GALANT (III SERIES) 10-83→04-90 |
| | MITSUBISHI | GALANT (IV SERIES) 11-87→03-93 |
| | MITSUBISHI | LANCER (IV SERIES C6-C7) 04-88→05-94 |
| | MITSUBISHI | LANCER (V SERIES CB-CD) 06-92→09-00 |
| 11510 | FORD | PROBE |
| | MAZDA | 323 (BF - BW SERIES) 08-85→10-98 |
| | MAZDA | 626 |
| 11511 | CITROËN | SAXO |
| | CITROËN | ZX |
| | PEUGEOT | 106 |
| | PEUGEOT | 205 |
| | PEUGEOT | 206 |
| | PEUGEOT | 206 |
| | PEUGEOT | 306 |
| | PEUGEOT | 309 |

| | | |
|--------------|-----------------|-------------------------------------|
| | RENAULT | CLIO |
| | RENAULT | R19 - CHAMADE |
| | RENAULT | R9 - R11 |
| | RENAULT | SUPER 5 |
| 11512 | RENAULT | CLIO |
| | RENAULT | MEGANE |
| 11513 | HONDA | CIVIC (IV SERIES) |
| | HONDA | CIVIC (V SERIES) |
| | HONDA | CIVIC (VI SERIES) |
| | HONDA | CONCERTO |
| | HONDA | CRX |
| | HONDA | JAZZ |
| | ROVER | 200 - 400 SERIES |
| | ROVER | 25 |
| | ROVER | 45 |
| | ROVER | STREETWISE |
| 11514 | HONDA | ACCORD (III SERIES) 11-85→12-89 |
| | HONDA | INTEGRA |
| | HONDA | PRELUDE |
| 11515 | NISSAN - DATSUN | ALMERA |
| | NISSAN - DATSUN | MICRA |
| 11516 | DAIHATSU | CHARADE |
| | MAZDA | MX3 |
| 11517 | FIAT | UNO |
| 11518 | HONDA | PRELUDE |
| 11519 | DAIHATSU | APPLAUSE |
| | FORD | PROBE |
| | MAZDA | 323 (BA SERIE) 05-94→01-01 |
| | MAZDA | 323 (BG SERIES) 04-87→09-00 |
| | MAZDA | 626 |
| | MAZDA | MX6 |
| | MAZDA | XEDOS |
| | SUZUKI | BALENO |
| 11520 | NISSAN - DATSUN | SENTRA |
| | NISSAN - DATSUN | SUNNY - PULSAR - 100NX (B13 SERIES) |
| 11521 | NISSAN - DATSUN | SENTRA |
| | NISSAN - DATSUN | SUNNY - PULSAR - 100NX (B13 SERIES) |
| 11522 | SUZUKI | SWIFT |
| 11523 | SUZUKI | SWIFT |
| 11524 | JAGUAR | S-TYPE |
| | JAGUAR | XJ - XJS |
| 11525 | TOYOTA | CAMRY |
| 11526 | CHEVROLET | NUBIRA |
| | DAEWOO | NUBIRA |
| 11527 | TOYOTA | RAV-4 |
| | TOYOTA | YARIS |
| 11528 | CHEVROLET | LACETTI |
| | CHEVROLET | NUBIRA |
| | DAEWOO | LACETTI |
| | DAEWOO | NUBIRA |
| 11529 | TOYOTA | CARINA |
| | TOYOTA | CELICA |
| | TOYOTA | CORONA |
| 11530 | RENAULT | R5 - R6 |
| | RENAULT | R8 - R10 |



REPAIR KITS & THEIR APPLICATIONS



| | | |
|--------------|------------|-------------------------------------|
| 11531 | CITROËN | XSARA |
| | CITROËN | ZX |
| | PEUGEOT | 306 |
| 11532 | AUDI | A6 (C7 SERIES) 11→ |
| | AUDI | A7 |
| 11533 | MAZDA | MX5 |
| 11534 | AUDI | Q7 |
| 11535 | OPEL | CALIBRA |
| | OPEL | VECTRA |
| 11536 | FORD | ESCORT - ORION |
| | KIA | SEPHIA |
| | KIA | SHUMA |
| 11537 | BMW | 3 SERIES (E21) 75→82 |
| 11538 | SAAB | 900 |
| | SAAB | 9000 |
| | VOLVO | 440 - 460 - 480 |
| 11539 | KIA | PICANTO |
| 11540 | KIA | CLARUS |
| 11541 | TOYOTA | COROLLA (E12 SERIES) 03-01→05-04 |
| 11542 | TOYOTA | CELICA |
| | TOYOTA | PRIUS |
| 11543 | AUDI | Q7 |
| | VOLKSWAGEN | TOUAREG |
| 11544 | VOLKSWAGEN | TOUAREG |
| 11545 | BMW | 3 SERIES (E36) 91→ |
| 11546 | CHRYSLER | NEON |
| 11547 | HYUNDAI | i30 |
| | HYUNDAI | ix35 |
| | HYUNDAI | SONATA |
| | KIA | CEE'D |
| | KIA | SPORTAGE |
| | HYUNDAI | i10 |
| 11548 | FIAT | ARGENTA - NUOVA |
| | FIAT | TEMPRA |
| | LANCIA | DEDRA |
| | LANCIA | DELTA - PRISMA |
| 11550 | SUBARU | LEONE |
| | SUBARU | L-SERIES 1300 - 1600 - 1800 |
| 11551 | HYUNDAI | SOLARIS |
| | KIA | RIO |
| 11552 | HONDA | ACCORD (VI SERIES) 03-97→12-03 |
| 11553 | HYUNDAI | ix20 |
| | HYUNDAI | VELOSTER |
| 11554 | TOYOTA | IQ |
| | TOYOTA | URBAN CRUISER |
| | TOYOTA | YARIS |
| 11555 | AUDI | A6 (C7 SERIES) 11→ |
| | AUDI | A7 |
| | AUDI | A8 (4H SERIES) 10→ |
| 11556 | FIAT | 124 |
| | FIAT | ARGENTA - NUOVA |
| | FIAT | X 1-9 |
| | POLSKI | 125 - 126 |
| | POLSKI | 127 - 132 |
| | POLSKI | POLONEZ |
| | SEAT | 124 - 128 - 1200 - 1430 - D - SPORT |

| | | | |
|-----------------|-------------------------------|-------------------------------------|---------|
| 11557 | HYUNDAI | i30 | |
| | HYUNDAI | ix20 | |
| | HYUNDAI | VELOSTER | |
| | KIA | PICANTO | |
| 11558 | HONDA | PRELUDE | |
| 11559 | HONDA | ACCORD (IV SERIES) 11-89→12-93 | |
| | HONDA | ACCORD (V SERIES) 03-93→10-98 | |
| | HONDA | ACCORD (VI SERIES) 03-97→12-03 | |
| | HONDA | CIVIC (VI SERIES) | |
| | HONDA | CIVIC (VII SERIES) | |
| | HONDA | CIVIC (VIII SERIES) | |
| | HONDA | PRELUDE | |
| | ROVER | 600 SERIES | |
| | SUZUKI | SX4 | |
| | 11560 | HYUNDAI | COUPE |
| | | HYUNDAI | ELANTRA |
| HYUNDAI | | LANTRA | |
| KIA | | CERATO | |
| NISSAN - DATSUN | | ALMERA | |
| NISSAN - DATSUN | | MAXIMA | |
| NISSAN - DATSUN | | PRIMERA | |
| NISSAN - DATSUN | | SUNNY - PULSAR - 100NX (B13 SERIES) | |
| 11561 | | MITSUBISHI | COLT |
| | | SMART | FORFOUR |
| 11562 | ALFA ROMEO | 145 - 146 | |
| | ALFA ROMEO | 155 | |
| | ALFA ROMEO | 33 | |
| | ALFA ROMEO | GTV | |
| | ALFA ROMEO | SPIDER | |
| | FIAT | BARCETTA | |
| | FIAT | BRAVO - BRAVA | |
| | FIAT | COUPE | |
| | FIAT | MAREA | |
| | FIAT | PUNTO (176 SERIES) | |
| | FIAT | TEMPRA | |
| | FIAT | TIPO | |
| | FORD | FOCUS | |
| | LANCIA | DEDRA | |
| | LANCIA | DELTA - PRISMA | |
| | RENAULT | CLIO | |
| | RENAULT | MEGANE | |
| | RENAULT | MEGANE SCENIC | |
| | RENAULT | MODUS | |
| | RENAULT | SCENIC | |
| 11563 | AUDI | A2 | |
| | KIA | VENGA | |
| | NISSAN - DATSUN | ALMERA | |
| | RENAULT | FLUENCE | |
| | RENAULT | MEGANE | |
| | RENAULT | SCENIC | |
| | SEAT | AROSA | |
| | SEAT | CORDOBA | |
| | SEAT | IBIZA | |
| | VOLKSWAGEN | LUPO | |
| VOLKSWAGEN | POLO (III SERIES) 09-94→10-01 | | |
| VOLKSWAGEN | POLO (IV SERIES) 10-01→11-09 | | |

MANUFACTURAS WRKYNSON

www.wrakynson.com

Page 569 of 822



REPAIR KITS & THEIR APPLICATIONS



| | | |
|--------------|--|--|
| 11563 | VOLKSWAGEN VOLKSWAGEN | POLO (V SERIES) 06-09→ POLO CLASSIC |
| 11564 | FIAT FIAT FIAT FORD LANCIA MITSUBISHI OPEL OPEL OPEL OPEL OPEL OPEL | 500 PANDA - MARBELLA PUNTO (188 SERIES) FIESTA YPSILON COLT ASTRA (G SERIES) ASTRA (H SERIES) COMBO CORSA (C SERIES) TIGRA ZAFIRA |
| 11565 | HYUNDAI | i10 |
| 11566 | MAZDA NISSAN - DATSUN SUZUKI | 6 PRIMERA IGNIS |
| 11567 | TOYOTA TOYOTA TOYOTA TOYOTA | IQ URBAN CRUISER VERSO YARIS |
| 11568 | KIA | PICANTO |
| 11569 | KIA KIA KIA | CARENS SEPHIA SHUMA |
| 11570 | OPEL OPEL | ASTRA (G SERIES) ZAFIRA |
| 11571 | MINI TOYOTA | MINI (R50 - R53) YARIS |
| 11572 | HONDA | ACCORD (VI SERIES) 03-97→12-03 |
| 11573 | LAND ROVER MERCEDES RENAULT RENAULT RENAULT | RANGE ROVER EVOQUE A-CLASS (W176) 06-12→ GRAND SCENIC MEGANE SCENIC |
| 11574 | NISSAN - DATSUN | 200SX |
| 11575 | MAZDA | XEDOS |
| 11576 | MAZDA MAZDA MAZDA | 323 (BG SERIES) 04-87→09-00 626 RX7 |
| 11577 | MAZDA MAZDA | 626 929 |
| 11578 | MAZDA | RX7 |
| 11579 | DAEWOO | LEGANZA |
| 11580 | LEXUS TOYOTA TOYOTA TOYOTA | ES CAMRY CARINA CELICA |
| 11581 | TOYOTA | PRIUS |
| 11582 | BMW BMW BMW | 3 SERIES (E30) 83→ 5 SERIES (E28) 81→88 6 SERIES (E24) 76→88 |
| 11583 | MAZDA | MX5 |
| 11584 | MAZDA MAZDA | 323 (BG SERIES) 04-87→09-00 626 |

| | | |
|--------------|--|---|
| | MAZDA | RX7 |
| 11585 | MAZDA MAZDA | 626 929 |
| 11586 | MAZDA | RX7 |
| 11587 | MITSUBISHI MITSUBISHI MITSUBISHI MITSUBISHI MITSUBISHI | CARISMA COLT ECLIPSE GALANT (IV SERIES) 11-87→03-93 LANCER (IV SERIES C6-C7) 04-88→05-94 LANCER (V SERIES CB-CD) 06-92→09-00 |
| 11588 | MAZDA MAZDA MAZDA | 323 (BJ SERIES) 05-98→05-04 626 PREMACY |
| 11589 | MAZDA | RX7 |
| 11590 | MAZDA | 6 |
| 11591 | TOYOTA | CAMRY |
| 11592 | TOYOTA | COROLLA (E8 SERIES) 05-83→06-89 |
| 11593 | MAZDA | MX5 |
| 11594 | VOLVO VOLVO | 740 - 760 - 780 940 - 960 |
| 11595 | MINI OPEL OPEL OPEL OPEL | MINI (R56) ASTRA (G SERIES) ASTRA (H SERIES) MERIVA ZAFIRA |
| 11596 | FIAT FIAT OPEL TOYOTA TOYOTA TOYOTA | GRANDE PUNTO PUNTO (199 SERIES) CORSA (D SERIES) AURIS COROLLA (E15 SERIES) 11-06→ COROLLA (E18 SERIES) 10-12→ |
| 11597 | FORD FORD | TOURNEO TRANSIT CONNECT |
| 11598 | TOYOTA TOYOTA TOYOTA | COROLLA (E12 SERIES) 03-01→05-04 COROLLA VERSO (E12 SERIES) 09-01→01-04 PRIUS |
| 11599 | CHRYSLER | PT CRUISER |
| 11600 | CITROËN | XANTIA |
| 11601 | ROVER | METRO |
| 11602 | MINI OPEL OPEL OPEL OPEL | MINI (R56) ASTRA (G SERIES) ASTRA (H SERIES) MERIVA ZAFIRA |
| 11603 | FORD FORD | TOURNEO TRANSIT CONNECT |
| 11604 | OPEL OPEL | ASTRA (G SERIES) ZAFIRA |
| 11605 | MAZDA | RX7 |
| 11606 | LAND ROVER LAND ROVER | RANGE ROVER RANGE ROVER SPORT |
| 11607 | VOLKSWAGEN | TOUAREG |
| 11608 | TOYOTA | MR2 |
| 11609 | LAND ROVER | FREELANDER |

MANUFACTURAS WRKYNSON

www.wrakynson.com

Page 570 of 822



REPAIR KITS & THEIR APPLICATIONS



| | | |
|--------------|------------|--------------------------------|
| 11610 | JAGUAR | XJ - XJS |
| 11611 | RENAULT | ESPACE |
| | RENAULT | LAGUNA |
| | RENAULT | R21 - NEVADA |
| | RENAULT | SAFRANE |
| 11612 | RENAULT | ESPACE |
| | RENAULT | LAGUNA |
| | RENAULT | R21 - NEVADA |
| | RENAULT | SAFRANE |
| 11613 | FIAT | GRANDE PUNTO |
| | FIAT | PUNTO (199 SERIES) |
| | OPEL | CORSA (D SERIES) |
| | TOYOTA | AURIS |
| | TOYOTA | COROLLA (E15 SERIES) 11-06→ |
| | TOYOTA | COROLLA (E18 SERIES) 10-12→ |
| 11614 | FIAT | GRANDE PUNTO |
| | FIAT | PUNTO (199 SERIES) |
| | OPEL | CORSA (D SERIES) |
| | TOYOTA | AURIS |
| | TOYOTA | COROLLA (E15 SERIES) 11-06→ |
| | TOYOTA | COROLLA (E18 SERIES) 10-12→ |
| 11615 | TOYOTA | CAMRY |
| 11616 | ALFA ROMEO | MITO |
| | AUDI | A3 (8P SERIES) 02→12 |
| | CITROËN | C4 |
| | FIAT | BRAVO - BRAVA |
| | FIAT | MULTIPLA |
| | FIAT | STILO |
| | FORD | MONDEO |
| | JAGUAR | X-TYPE |
| | PEUGEOT | 207 |
| | PEUGEOT | 307 |
| | SEAT | ALTEA |
| | SEAT | LEON |
| | SKODA | OCTAVIA |
| | SKODA | SUPERB |
| | SKODA | YETI |
| | VOLKSWAGEN | CADDY |
| | VOLKSWAGEN | GOLF (VI SERIES) 10-08→11-13 |
| | VOLKSWAGEN | JETTA (III SERIES) 08-05→10-10 |
| | VOLKSWAGEN | JETTA (IV SERIES) 04-10→ |
| | VOLKSWAGEN | NEW BEETLE |
| | VOLKSWAGEN | TOURAN |
| 11617 | ALFA ROMEO | MITO |
| | AUDI | A3 (8P SERIES) 02→12 |
| | CITROËN | C4 |
| | FIAT | BRAVO - BRAVA |
| | FIAT | MULTIPLA |
| | FIAT | STILO |
| | FORD | MONDEO |
| | JAGUAR | X-TYPE |
| | PEUGEOT | 207 |
| | PEUGEOT | 307 |
| | SEAT | ALTEA |
| | SEAT | LEON |
| | SKODA | OCTAVIA |
| | SKODA | SUPERB |

| | | |
|--------------|-----------------|------------------------------------|
| | SKODA | YETI |
| | VOLKSWAGEN | CADDY |
| | VOLKSWAGEN | GOLF (VI SERIES) 10-08→11-13 |
| | VOLKSWAGEN | JETTA (III SERIES) 08-05→10-10 |
| | VOLKSWAGEN | JETTA (IV SERIES) 04-10→ |
| | VOLKSWAGEN | NEW BEETLE |
| | VOLKSWAGEN | TOURAN |
| 11618 | CITROËN | C4 |
| | FORD | MONDEO |
| 11619 | CITROËN | C4 |
| | FORD | MONDEO |
| 11620 | FORD | MONDEO |
| | RENAULT | KANGOO |
| 11621 | FORD | MONDEO |
| | RENAULT | KANGOO |
| 11622 | MERCEDES | 190 (W201) 10-82→08-93 |
| | MERCEDES | E-CLASS (W124-S124) 6-93→6-96 |
| | MERCEDES | SL (R129) 3-89→10-01 |
| 11623 | MERCEDES | C-CLASS (W202) 3-93→5-00 |
| | MERCEDES | CLK (A208-A209) 3-98→ |
| | MERCEDES | CLK (C208-C209) 6-97→ |
| | MERCEDES | E-CLASS (W210-S210-T210) 6-95→3-03 |
| 11624 | NISSAN - DATSUN | NAVARA |
| | NISSAN - DATSUN | PATHFINDER |
| | SUBARU | FORESTER |
| | SUBARU | IMPREZA |
| 11625 | SUBARU | FORESTER |
| | SUBARU | IMPREZA |
| | SUBARU | LEGACY (III SERIES) 10-98→08-03 |
| | SUBARU | LEGACY (IV SERIES) 09-03→08-09 |
| | SUBARU | OUTBACK |
| 11626 | SUBARU | LEGACY (I SERIES) 01-89→08-94 |
| | SUBARU | LEGACY (II SERIES) 02-94→03-99 |
| 11627 | TOYOTA | SUPRA |
| 11628 | NISSAN - DATSUN | 300ZX |
| 11629 | FORD | GALAXY |
| | FORD | S-MAX |
| | LANCIA | THESIS |
| | RENAULT | GRAND SCENIC |
| | RENAULT | SCENIC |
| | VOLKSWAGEN | PASSAT (3C2 - 3C5) 03-05→ |
| | VOLVO | S60 - S80 |
| | VOLVO | XC60 |
| | VOLVO | XC70 |
| 11630 | CITROËN | C4 |
| | TOYOTA | AVENSIS |
| 11631 | SUBARU | LEGACY (IV SERIES) 09-03→08-09 |
| | SUBARU | LEGACY (V SERIES) 09-09→ |
| | SUBARU | OUTBACK |
| | SUBARU | XV |
| 11632 | HONDA | ACCORD (VIII SERIES) 06-08→ |
| 11633 | MERCEDES | C-CLASS (W204-S204) 1-07→ |
| | MERCEDES | C-CLASS COUPE (C204) 06-11→ |
| | MERCEDES | E-CLASS CABRIO (A207) |
| | MERCEDES | E-CLASS COUPE (C207) 01-09→ |
| 11634 | JAGUAR | S-TYPE |

MANUFACTURAS WRKYNSON

www.wrakynson.com

Page 571 of 822



REPAIR KITS & THEIR APPLICATIONS



| | | |
|--------------|-----------------|--|
| 11634 | JAGUAR | XJ - XJS |
| 11635 | MERCEDES | 123 - 200 - 300 (W123 SERIES) 76→86 |
| | MERCEDES | 8 (W114) 68→02-77 |
| | MERCEDES | 8 (W115) 68→2-77 |
| | MERCEDES | PAGODE (W113) 63→72 |
| | MERCEDES | S-CLASS (W116) 8-72→7-80 |
| | MERCEDES | S-CLASS (W126) 10-79→6-91 |
| | MERCEDES | SL (R107) 5-71→9-89 |
| 11636 | JAGUAR | S-TYPE |
| | JAGUAR | XJ - XJS |
| | NISSAN - DATSUN | 350Z |
| 11637 | ALFA ROMEO | 147 |
| | PEUGEOT | 406 |
| 11638 | KIA | CARENS |
| 11639 | HONDA | ACCORD (VIII SERIES) 06-08→ |
| 11640 | CHEVROLET | CRUZE |
| | OPEL | AMPERA |
| | OPEL | ASTRA (J SERIES) |
| | OPEL | MOKKA |
| | OPEL | ZAFIRA |
| 11641 | RENAULT | R8 - R10 |
| 11642 | HYUNDAI | i40 |
| 11643 | JAGUAR | X-TYPE |
| 11644 | HONDA | ACCORD (IV SERIES) 11-89→12-93 |
| | HONDA | ACCORD (V SERIES) 03-93→10-98 |
| | HONDA | LEGEND |
| | MAZDA | MX5 |
| 11645 | KIA | CARENS |
| 11646 | CITROËN | C5 |
| | FORD | C-MAX |
| | FORD | FOCUS |
| | FORD | FOCUS C-MAX |
| | MAZDA | 3 |
| | MAZDA | 5 |
| | NISSAN - DATSUN | PRIMERA |
| | OPEL | SIGNUM |
| | OPEL | VECTRA |
| | RENAULT | ESPACE |
| | RENAULT | LAGUNA |
| | RENAULT | MEGANE |
| | RENAULT | VEL SATIS |
| | SAAB | 9.3 |
| | VOLVO | C30 |
| | VOLVO | S40 - V40 - V50 |
| | VOLVO | S70 - V70 - C70 |
| 11647 | CHEVROLET | CRUZE |
| | OPEL | AMPERA |
| | OPEL | ASTRA (J SERIES) |
| | OPEL | MOKKA |
| | OPEL | ZAFIRA |
| 11648 | HONDA | LEGEND |
| | NISSAN - DATSUN | ALMERA |
| | NISSAN - DATSUN | BLUEBIRD |
| | NISSAN - DATSUN | MAXIMA |
| | NISSAN - DATSUN | PRIMERA |
| | ROVER | 800 SERIES |

| | | |
|--------------|------------|--------------------------------|
| | ROVER | MG |
| 11649 | LEXUS | LS |
| 11650 | SUBARU | TREZIA |
| | TOYOTA | AURIS |
| | TOYOTA | COROLLA (E15 SERIES) 11-06→ |
| | TOYOTA | IQ |
| | TOYOTA | PRIUS |
| | TOYOTA | URBAN CRUISER |
| | TOYOTA | YARIS |
| 11651 | ALFA ROMEO | 145 - 146 |
| | ALFA ROMEO | 147 |
| | ALFA ROMEO | 156 |
| | ALFA ROMEO | 159 |
| | ALFA ROMEO | 166 |
| | ALFA ROMEO | BRERA |
| | ALFA ROMEO | GIULIETTA |
| | ALFA ROMEO | GT |
| | ALFA ROMEO | MITO |
| | ALFA ROMEO | SPIDER |
| | AUDI | A1 |
| | AUDI | A3 (8L SERIES) 96→03 |
| | AUDI | A3 (8P SERIES) 02→12 |
| | AUDI | A4 (B6 SERIES) 01→05 |
| | AUDI | A4 (B7 SERIES) 05→07 |
| | AUDI | A6 (C5 SERIES) 97→04 |
| | AUDI | ALLROAD |
| | AUDI | TT (8J SERIES) 07→14 |
| | AUDI | TT (8N SERIES) 98→06 |
| | CITROËN | BERLINGO |
| | CITROËN | C2 |
| | CITROËN | C3 |
| | CITROËN | C4 |
| | CITROËN | C5 |
| | CITROËN | C6 |
| | CITROËN | C8 |
| | CITROËN | DS3 |
| | CITROËN | XSARA |
| | FIAT | 500 |
| | FIAT | LINEA |
| | FIAT | ULYSSE |
| | FORD | FOCUS |
| | FORD | GALAXY |
| | FORD | KUGA |
| | FORD | MONDEO |
| | FORD | S-MAX |
| | HONDA | ACCORD (VI SERIES) 03-97→12-03 |
| | HONDA | ACCORD (VII SERIES) 02-03→ |
| | LANCIA | KAPPA |
| | LANCIA | LYBRA |
| | LANCIA | PHEDRA |
| | MITSUBISHI | CARISMA |
| | MITSUBISHI | SPACE STAR |
| | OPEL | ASTRA (G SERIES) |
| | OPEL | ASTRA (H SERIES) |
| | OPEL | COMBO |
| | OPEL | MERIVA |
| | OPEL | ZAFIRA |

MANUFACTURAS WRAKYNSON

www.wrakynson.com

Page 572 of 822



REPAIR KITS & THEIR APPLICATIONS



| | | |
|--------------|------------|--|
| 11651 | PEUGEOT | 1007 |
| | PEUGEOT | 207 |
| | PEUGEOT | 3008 |
| | PEUGEOT | 307 |
| | PEUGEOT | 308 |
| | PEUGEOT | 407 |
| | PEUGEOT | 5008 |
| | PEUGEOT | 607 |
| | PEUGEOT | 807 |
| | PEUGEOT | PARTNER |
| | RENAULT | AVANTIME |
| | RENAULT | CLIO |
| | RENAULT | ESPACE |
| | RENAULT | GRAND SCENIC |
| | RENAULT | KANGOO |
| | RENAULT | MEGANE |
| | RENAULT | SCENIC |
| | SEAT | ALHAMBRA |
| | SEAT | ALTEA |
| | SEAT | IBIZA |
| | SEAT | LEON |
| | SEAT | TOLEDO |
| | SKODA | FABIA |
| | SKODA | OCTAVIA |
| | SKODA | RAPID |
| | SKODA | ROOMSTER |
| | SKODA | SUPERB |
| | SKODA | YETI |
| | TOYOTA | AVENSIS |
| | TOYOTA | COROLLA (E11 SERIES) 04-97→06-02 |
| | VOLKSWAGEN | BORA |
| | VOLKSWAGEN | EOS |
| | VOLKSWAGEN | GOLF (IV SERIES) 08-97→06-05 |
| | VOLKSWAGEN | GOLF (V SERIES) 10-03→02-09 |
| | VOLKSWAGEN | GOLF (VI SERIES) 10-08→11-13 |
| | VOLKSWAGEN | GOLF PLUS 01-05→ |
| | VOLKSWAGEN | JETTA (III SERIES) 08-05→10-10 |
| | VOLKSWAGEN | JETTA (IV SERIES) 04-10→ |
| | VOLKSWAGEN | NEW BEETLE |
| | VOLKSWAGEN | PASSAT (3B2 - 3B5) 08-96→12-01 |
| | VOLKSWAGEN | PASSAT (3B3 - 3B6) 11-00→05-05 |
| | VOLKSWAGEN | SHARAN |
| | VOLKSWAGEN | TRANSPORTER (IV SERIES) 07-90→04-03 |
| | VOLVO | S40 - V40 - V50 |
| 11652 | ALFA ROMEO | 164 |
| | AUDI | 100 (C3 SERIES) 82→90 |
| | AUDI | 100 (C4 SERIES) 90→95 |
| | AUDI | 200 |
| | AUDI | 80 - 90 (B3 SERIES) 86→91 |
| | AUDI | A6 (C4 SERIES) 94→97 |
| | AUDI | A8 (4D SERIES) 94→03 |
| | AUDI | CABRIOLET |
| | AUDI | COUPE |
| | AUDI | QUATTRO |
| | FIAT | CROMA |
| | LANCIA | THEMA - GAMMA |

| | | |
|--------------|-----------------|---|
| | PEUGEOT | 405 |
| | SEAT | CORDOBA |
| | SEAT | IBIZA |
| | SEAT | TOLEDO |
| | VOLKSWAGEN | CORRADO |
| | VOLKSWAGEN | GOLF (II SERIES) 08-83→12-92 |
| | VOLKSWAGEN | GOLF (III SERIES) 08-91→07-98 |
| | VOLKSWAGEN | JETTA (II SERIES) 08-83→12-92 |
| | VOLKSWAGEN | PASSAT (32B) 11-79→06-89 |
| | VOLKSWAGEN | PASSAT (3A2 - 351 - 3A5 - 351) 02-88→12-97 |
| | VOLKSWAGEN | VENTO |
| 11653 | NISSAN - DATSUN | ALMERA |
| | NISSAN - DATSUN | PRIMERA |
| 11654 | FIAT | MULTIPLA |
| | FIAT | STILO |
| 11655 | OPEL | ASTRA (G SERIES) |
| | OPEL | ZAFIRA |
| 11656 | ALFA ROMEO | 75 - 90 |
| | ALFA ROMEO | ALFETTA |
| | ALFA ROMEO | GIULIETTA |
| | ALFA ROMEO | GTV |
| | ALFA ROMEO | SPIDER |
| | PORSCHE | 914 |
| 11657 | CITROËN | C4 |
| | TOYOTA | AVENSIS |
| 11658 | CITROËN | C4 |
| | TOYOTA | AVENSIS |
| 11659 | JAGUAR | X-TYPE |
| 11660 | JAGUAR | X-TYPE |
| 11661 | RENAULT | KANGOO |
| 11662 | RENAULT | KANGOO |
| 11663 | ALFA ROMEO | 156 |
| | ALFA ROMEO | GT |
| | VOLVO | S60 - S80 |
| | VOLVO | S70 - V70 - C70 |
| 11664 | MITSUBISHI | 3.0GT |
| 11665 | VOLKSWAGEN | 1.200 - 1.300 - 1.500 - 1.600 BEETLE |
| 11666 | VOLKSWAGEN | 1.200 - 1.300 - 1.500 - 1.600 BEETLE |
| 11667 | OPEL | OMEGA |
| 11668 | VOLVO | S70 - V70 - C70 |
| 11669 | NISSAN - DATSUN | 350Z |
| 11670 | ALFA ROMEO | MITO |
| | RENAULT | CLIO |
| | RENAULT | MEGANE |
| 11671 | CITROËN | C8 |
| | PEUGEOT | 807 |
| 11672 | LEXUS | RX |
| 11673 | BMW | 3 SERIES (E46) 9-98→ |
| 11674 | FORD | MAVERICK |
| | MAZDA | TRIBUTE |
| | MERCEDES | M-CLASS (W164) 7-05→ |
| 11675 | SSANYONG | KORANDO |
| | SSANYONG | MUSSO |
| 11676 | HONDA | S2000 |
| 11677 | BMW | 1 SERIES (E81 - E87) 09-04→ |
| | BMW | 1 SERIES CABRIO (E88) 03-07→ |



REPAIR KITS & THEIR APPLICATIONS



| | | |
|--------------|--|---|
| 11677 | BMW MERCEDES MERCEDES | 1 SERIES COUPE (E82) 09-07→ C-CLASS (W204-S204) 1-07→ CLC-CLASS (203) 5-08→ |
| 11678 | BMW | 7 SERIES (E38) 94→ |
| 11679 | OPEL VOLKSWAGEN | SENATOR - MONZA 1.200 - 1.300 - 1.500 - 1.600 BEETLE |
| 11680 | LEXUS LEXUS | ES GS |
| 11681 | TOYOTA | CELICA |
| 11682 | TOYOTA | SUPRA |
| 11683 | ALFA ROMEO ALFA ROMEO BMW BMW BMW BMW BMW BMW BMW | 6 75 - 90 1500 - 2000CS (115 - 116 - 118 - 121) 10-62→11-72 1502 - 2002TII (02) (E10 - E6) 66→77 2.5 - 3.3LI (E3) 10 - 68→ 2.5CS - 3.0CSL (E9) 06-70→ 5 SERIES (E12) 72→81 5 SERIES (E28) 81→88 6 SERIES (E24) 76→88 |
| 11684 | HONDA | S2000 |
| 11685 | OPEL OPEL OPEL SAAB | GT SIGNUM VECTRA 9.3 |
| 11686 | CHEVROLET CHEVROLET OPEL OPEL | CRUZE ORLANDO ASTRA (J SERIES) ZAFIRA |
| 11687 | ALFA ROMEO | GIULIETTA |
| 11688 | BMW BMW | 5 SERIES (E34) 88→ 8 SERIES (E31) 90→ |
| 11689 | OPEL OPEL SAAB | ASTRA (J SERIES) INSIGNIA 9.5 |
| 11690 | NISSAN - DATSUN | MAXIMA |
| 11691 | SUBARU SUBARU SUBARU | FORESTER LEGACY (V SERIES) 09-09→ OUTBACK |
| 11692 | TOYOTA | MR2 |
| 11693 | ISUZU | TROOPER |
| 11694 | ISUZU | TROOPER |
| 11695 | TOYOTA | MR2 |
| 11696 | ALFA ROMEO ALFA ROMEO ALFA ROMEO AUDI AUDI AUDI AUDI AUDI AUDI CITROËN FIAT FIAT NISSAN - DATSUN OPEL OPEL | 159 BRERA SPIDER A3 (8L SERIES) 96→03 A3 (8P SERIES) 02→12 A4 (B7 SERIES) 05→07 TT (8J SERIES) 07→14 TT (8N SERIES) 98→06 JUMPY CROMA SCUDO PRIMASTAR INSIGNIA VIVARO |

| | | |
|--------------|---|---|
| | OPEL PEUGEOT RENAULT SAAB SEAT SEAT SEAT SKODA SKODA SKODA VOLKSWAGEN VOLKSWAGEN VOLKSWAGEN VOLKSWAGEN VOLKSWAGEN VOLKSWAGEN VOLKSWAGEN VOLKSWAGEN VOLKSWAGEN VOLKSWAGEN VOLKSWAGEN | ZAFIRA EXPERT TRAFIC 9.5 ALTEA LEON TOLEDO OCTAVIA SUPERB YETI BORA CADDY EOS GOLF (IV SERIES) 08-97→06-05 GOLF (V SERIES) 10-03→02-09 GOLF (VI SERIES) 10-08→11-13 GOLF PLUS 01-05→ JETTA (III SERIES) 08-05→10-10 MULTIVAN TOURAN TRANSPORTER (V SERIES) 04-03→ |
| 11697 | ISUZU | TROOPER |
| 11698 | ISUZU | TROOPER |
| 11699 | MITSUBISHI MITSUBISHI MITSUBISHI MITSUBISHI | GALANT (II SERIES) 09-80→05-84 LANCER (I SERIES A17) 09-79→02-83 SAPPORO STARION |
| 11700 | BMW BMW BMW BMW BMW BMW BMW BMW BMW MERCEDES | 1 SERIES (E81 - E87) 09-04→ 1 SERIES CABRIO (E88) 03-07→ 1 SERIES COUPE (E82) 09-07→ 3 SERIES (E90) 05→ 3 SERIES (E92) 6-06→ 3 SERIES (E93) 8-06→ 3 TOURING (E91) 05→ X1 (E84) 03-09→ GLK - CLASS (X204) 6-08→ |
| 11701 | MERCEDES MERCEDES MERCEDES MERCEDES MERCEDES MERCEDES | CLS (C219) 10-04→ E-CLASS (W211-S211) 3-02→ E-CLASS (W212-S212) 01-09→ S-CLASS (C215-C216) 3-99→ S-CLASS (W220) 10-98→08-05 S-CLASS (W221) 10-05→ |
| 11702 | BMW | 7 SERIES (E38) 94→ |
| 11703 | MERCEDES MERCEDES | E-CLASS (W124-S124) 6-93→6-96 KOMBI T MODEL (S124) 9-85→06-93 |
| 11704 | OPEL SAAB | INSIGNIA 9.5 |
| 11705 | IVECO | DAILY (III SERIES) 06-99→05-06 |
| 11706 | OPEL | OMEGA |
| 11707 | CITROËN CITROËN CITROËN | 2CV - DYANE - C8 - MEHARI C32 - C35 GS |
| 11708 | FORD | TERRITORY |
| 11709 | MERCEDES MERCEDES | CLK (A208-A209) 3-98→ CLK (C208-C209) 6-97→ |

MANUFACTURAS WRAKYNSON

www.wrakynson.com

Page 574 of 822



REPAIR KITS & THEIR APPLICATIONS



| | | |
|--------------|-----------------|---------------------------------------|
| 11709 | MERCEDES | E-CLASS (W210-S210-T210) 6-95→3-03 |
| | MERCEDES | SL (R129) 3-89→10-01 |
| | MERCEDES | SLK (R170) 4-96→4-04 |
| 11710 | MERCEDES | C-CLASS (S202-S203) 6-96→ |
| | MERCEDES | C-CLASS (W203) 5-00→ |
| | MERCEDES | C-CLASS COUPE (CL203) 03-01→ |
| | MERCEDES | CLK (C208-C209) 6-97→ |
| 11711 | CITROËN | CX |
| 11712 | NISSAN - DATSUN | PICK-UP |
| | NISSAN - DATSUN | URVAN |
| | NISSAN - DATSUN | VANETTE |
| 11713 | BMW | X5 (E53) 01→ |
| 11714 | JAGUAR | E-TYPE |
| | JAGUAR | XJ - XJS |
| 11715 | MERCEDES | G-CLASS (W460-461-463) 79→ |
| | MERCEDES | GL-CLASS (X164) 9-06→ |
| | MERCEDES | M-CLASS (W164) 7-05→ |
| | MERCEDES | R-CLASS (W251-V251) 1-06→ |
| 11716 | BMW | X5 (E70) 02-07→ |
| | BMW | X5 (F15) |
| | BMW | X6 (E71 - E72) |
| 11717 | CHRYSLER | 300C |
| 11718 | MERCEDES | S-CLASS (C215-C216) 3-99→ |
| | MERCEDES | S-CLASS (W220) 10-98→08-05 |
| 11719 | NISSAN - DATSUN | INTERSTART |
| | OPEL | MOVANO |
| | RENAULT | MASTER |
| 11720 | NISSAN - DATSUN | INTERSTART |
| | OPEL | MOVANO |
| | RENAULT | MASTER |
| 11721 | BMW | 1 SERIES (E81 - E87) 09-04→ |
| | BMW | 1 SERIES CABRIO (E88) 03-07→ |
| | BMW | 1 SERIES COUPE (E82) 09-07→ |
| | BMW | 3 SERIES (E90) 05→ |
| | BMW | 3 SERIES (E92) 6-06→ |
| | BMW | 3 SERIES (E93) 8-06→ |
| | BMW | 3 TOURING (E91) 05→ |
| 11722 | AUDI | A6 (C6 SERIES) 04→11 |
| | AUDI | A8 (4D SERIES) 94→03 |
| | AUDI | A8 (4E SERIES) 03→10 |
| | BMW | 5 SERIES (E60) 07-03→ |
| | BMW | 5 SERIES (E61) 6-04→ |
| | BMW | 6 SERIES (E63 - E64) 1-04→ |
| | BMW | 7 SERIES (E65 - E66 - E67) 11-01→ |
| | VOLKSWAGEN | PHAETON |
| 11723 | AUDI | A6 (C7 SERIES) 11→ |
| | JAGUAR | XF |
| | JAGUAR | XJ - XJS |
| | JAGUAR | XK SERIES |
| 11724 | BMW | 5 SERIES (E39) 96→ |
| | BMW | 5 SERIES (E61) 6-04→ |
| | BMW | 6 SERIES (E63 - E64) 1-04→ |
| 11725 | SUBARU | FORESTER |
| | SUBARU | LEGACY (IV SERIES) 09-03→08-09 |
| | SUBARU | LEGACY (V SERIES) 09-09→ |
| | SUBARU | OUTBACK |

| | | |
|--------------|-----------------|-----------------------|
| | SUBARU | TRIBECA |
| 11726 | JAGUAR | E-TYPE |
| | JAGUAR | XJ - XJS |
| 11727 | MITSUBISHI | GALLOPER |
| | MITSUBISHI | MONTERO |
| | MITSUBISHI | PAJERO |
| | MITSUBISHI | SHOGUN |
| 11728 | TOYOTA | CAMRY |
| 11729 | LEXUS | GS |
| | LEXUS | LS |
| 11730 | KIA | CARNIVAL |
| 11731 | KIA | SORENTO |
| 11732 | NISSAN - DATSUN | MURANO |
| 11733 | LEXUS | ES |
| | TOYOTA | CAMRY |
| 11734 | LEXUS | GS |
| | LEXUS | IS |
| | LEXUS | LS |
| 11735 | LEXUS | LS |
| 11736 | AUDI | A4 (B8 SERIES) 08→ |
| | AUDI | A5 |
| | AUDI | A6 (C6 SERIES) 04→11 |
| | AUDI | A6 (C7 SERIES) 11→ |
| | AUDI | A8 (4E SERIES) 03→10 |
| | AUDI | A8 (4H SERIES) 10→ |
| | AUDI | Q5 |
| | LAND ROVER | RANGE ROVER |
| | LAND ROVER | RANGE ROVER SPORT |
| 11737 | HYUNDAI | GENESIS |
| | KIA | SORENTO |
| 11738 | TOYOTA | MR2 |
| 11739 | HYUNDAI | ix55 |
| 11740 | TOYOTA | CAMRY |
| | TOYOTA | CELICA |
| 11741 | NISSAN - DATSUN | PICK-UP |
| 11742 | LEXUS | LX |
| | TOYOTA | LAND CRUISER |
| 11743 | TOYOTA | MR2 |
| 11744 | LEXUS | GS |
| | LEXUS | IS |
| | TOYOTA | CROWN |
| 11745 | FORD | ESCORT - ORION |
| | FORD | GRANADA - CONSUL |
| | FORD | SCORPIO |
| | FORD | SIERRA |
| 11746 | MAZDA | RX8 |
| | NISSAN - DATSUN | 280ZX |
| | NISSAN - DATSUN | 300ZX |
| | NISSAN - DATSUN | FAIRLADY |
| | NISSAN - DATSUN | SILVIA |
| 11747 | AUDI | 100 (C3 SERIES) 82→90 |
| | AUDI | 100 (C4 SERIES) 90→95 |
| | AUDI | 200 |
| | AUDI | A6 (C4 SERIES) 94→97 |
| | AUDI | QUATTRO |
| | AUDI | V8 |

MANUFACTURAS WRAKYNSON

www.wrakynson.com

Page 575 of 822



REPAIR KITS & THEIR APPLICATIONS



| | | |
|--------------|------------|--------------------------------|
| 11748 | AUDI | A4 (B5 SERIES) 94→01 |
| | AUDI | A4 (B6 SERIES) 01→05 |
| | AUDI | A4 (B7 SERIES) 05→07 |
| | AUDI | A6 (C5 SERIES) 97→04 |
| | AUDI | ALLROAD |
| | VOLKSWAGEN | PASSAT (3B3 - 3B6) 11-00→05-05 |
| | VOLKSWAGEN | PHAETON |
| 11749 | AUDI | A8 (4D SERIES) 94→03 |
| 11750 | AUDI | A8 (4D SERIES) 94→03 |
| 11751 | CHRYSLER | VOYAGER |
| | DODGE | JOURNEY |
| | FIAT | FREEMONT |
| | JAGUAR | S-TYPE |
| | JAGUAR | XJ - XJS |
| | LANCIA | VOYAGER LIMUSINA |
| 11752 | HONDA | LEGEND |
| 11753 | BMW | 3 SERIES (E90) 05→ |
| | BMW | 3 SERIES (E92) 6-06→ |
| | BMW | 3 SERIES (E93) 8-06→ |
| | BMW | 3 TOURING (E91) 05→ |
| | BMW | X1 (E84) 03-09→ |
| | PORSCHE | CAYENNE |
| | VOLKSWAGEN | MULTIVAN |
| | VOLKSWAGEN | TOUAREG |
| | VOLKSWAGEN | TRANSPORTER (V SERIES) 04-03→ |
| | VOLVO | XC90 |
| 11754 | AUDI | 80 - 90 (B2 SERIES) 78→86 |
| | AUDI | 80 (B1 SERIES) 72→78 |
| | VOLKSWAGEN | GOLF (I SERIES) 04-74→12-85 |
| | VOLKSWAGEN | JETTA (I SERIES) 08-78→02-84 |
| | VOLKSWAGEN | PASSAT (32 - 33) 05-73→07-80 |
| | VOLKSWAGEN | SCIROCCO |
| 11755 | TOYOTA | MR2 |
| 11756 | IVECO | DAILY (III SERIES) 06-99→05-06 |
| 11757 | LEXUS | GS |
| | LEXUS | IS |
| 11758 | MERCEDES | M-CLASS (166) ML 06-11→ |
| | MERCEDES | M-CLASS (W163) 2-98→6-05 |
| 11759 | DAF | 44 - 55 - 66 |
| | OPEL | KADETT |
| | TALBOT | SIMCA 900 - 1000 |
| | VOLVO | 66 |
| 11760 | MERCEDES | CLK (C208-C209) 6-97→ |
| | MERCEDES | E-CLASS (W211-S211) 3-02→ |
| | MERCEDES | S-CLASS (W220) 10-98→08-05 |
| | MERCEDES | SLK (R170) 4-96→4-04 |
| 11761 | BMW | X5 (E70) 02-07→ |
| | BMW | X6 (E71 - E72) |
| 11762 | TOYOTA | MR2 |
| 11763 | VOLKSWAGEN | GOLF (I SERIES) 04-74→12-85 |
| | VOLKSWAGEN | JETTA (I SERIES) 08-78→02-84 |
| 11764 | VOLKSWAGEN | GOLF (I SERIES) 04-74→12-85 |
| | VOLKSWAGEN | JETTA (I SERIES) 08-78→02-84 |
| | VOLKSWAGEN | PASSAT (32 - 33) 05-73→07-80 |
| | VOLKSWAGEN | SCIROCCO |
| 11765 | MERCEDES | G-CLASS (W460-461-463) 79→ |
| 11766 | OPEL | KADETT |

| | | |
|--------------|-----------------|------------------------------------|
| | OPEL | OLYMPIA |
| 11767 | SKODA | S100 - 105 - 110 - 120 - 130 - 136 |
| 11768 | NISSAN - DATSUN | LEAF |
| | NISSAN - DATSUN | MURANO |
| | NISSAN - DATSUN | NAVARA |
| | NISSAN - DATSUN | PATHFINDER |
| | NISSAN - DATSUN | QASHQAI |
| | RENAULT | KOLEOS |
| 11769 | RENAULT | R4 |
| | RENAULT | R5 - R6 |
| 11770 | HOLDEN | RODEO |
| | ISUZU | D-MAX |
| 11771 | JAGUAR | XF |
| | JAGUAR | XJ - XJS |
| | JAGUAR | XK SERIES |
| 11772 | HYUNDAI | GENESIS |
| 11773 | TOYOTA | 4-RUNNER |
| | TOYOTA | FJ CRUISER |
| | TOYOTA | LAND CRUISER |
| 11774 | CITROËN | C15 |
| | CITROËN | VISA - LNA |
| 11775 | TALBOT | MATRA |
| | TALBOT | MURENA |
| 11776 | CHEVROLET | CAPTIVA |
| 11777 | JAGUAR | XF |
| | JAGUAR | XJ - XJS |
| | JAGUAR | XK SERIES |
| 11778 | MERCEDES | E-CLASS (W210-S210-T210) 6-95→3-03 |
| | MERCEDES | S-CLASS (C140) 9-92→2-99 |
| | MERCEDES | S-CLASS (W140) 2-91→10-98 |
| | MERCEDES | SL (R129) 3-89→10-01 |
| 11779 | NISSAN - DATSUN | CABSTAR - ATLAS |
| 11780 | NISSAN - DATSUN | KING CAB |
| | NISSAN - DATSUN | NAVARA |
| | NISSAN - DATSUN | PATHFINDER |
| | NISSAN - DATSUN | PICK-UP |
| 11781 | MERCEDES | E-CLASS (W210-S210-T210) 6-95→3-03 |
| | MERCEDES | S-CLASS (W140) 2-91→10-98 |
| 11782 | HYUNDAI | H100 (VAN) |
| 11783 | FORD | EXPLORER |
| 11784 | KIA | SORENTO |
| 11785 | HYUNDAI | ix55 |
| 11786 | NISSAN - DATSUN | CABSTAR - ATLAS |
| 11787 | NISSAN - DATSUN | CABSTAR - ATLAS |
| 11788 | JEEP | GRAND CHEROKEE |
| 11789 | ALFA ROMEO | 75 - 90 |
| 11790 | TOYOTA | LAND CRUISER |
| 11791 | ALFA ROMEO | ALFETTA |
| | ALFA ROMEO | GIULIETTA |
| | ALFA ROMEO | GTV |
| 11792 | HYUNDAI | H1 |
| 11793 | NISSAN - DATSUN | NV400 |
| | OPEL | MOVANO |
| | RENAULT | MASTER |
| 11794 | MITSUBISHI | GALANT (I SERIES) 01-77→08-80 |

MANUFACTURAS WRAKYNSON

www.wrakynson.com

Page 576 of 822



REPAIR KITS & THEIR APPLICATIONS



| | | |
|----------------|-----------------|--|
| 11845 | RENAULT | MASTER |
| 11846 | IVECO | DAILY (IV SERIES) 06-06→09-11 |
| | IVECO | EUROCARGO |
| 30000-G | NISSAN - DATSUN | KUBISTAR |
| | OPEL | ASTRA (G SERIES) |
| | OPEL | ZAFIRA |
| | PEUGEOT | 206 |
| | PEUGEOT | 306 |
| | RENAULT | KANGOO |
| 30001-G | ALFA ROMEO | 145 - 146 |
| | ALFA ROMEO | 155 |
| | ALFA ROMEO | 164 |
| | AUDI | 100 (C3 SERIES) 82→90 |
| | AUDI | 100 (C4 SERIES) 90→95 |
| | AUDI | 200 |
| | AUDI | 80 - 90 (B2 SERIES) 78→86 |
| | AUDI | 80 - 90 (B3 SERIES) 86→91 |
| | AUDI | 80 (B4 SERIES) 91→95 |
| | AUDI | A4 (B5 SERIES) 94→01 |
| | AUDI | A6 (C4 SERIES) 94→97 |
| | AUDI | A8 (4D SERIES) 94→03 |
| | AUDI | CABRIOLET |
| | AUDI | COUPE |
| | AUDI | QUATTRO |
| | FIAT | BARCETTA |
| | FIAT | COUPE |
| | FIAT | TEMPRA |
| | FIAT | TIPO |
| | LANCIA | DEDRA |
| | LANCIA | DELTA - PRISMA |
| | MERCEDES | COUPE (C124) 3-87→5-93 |
| | MERCEDES | E-CLASS (C124-A124) 5-93→3-98 |
| | MERCEDES | E-CLASS (W124-S124) 6-93→6-96 |
| | MERCEDES | KOMBI T MODEL (S124) 9-85→06-93 |
| | PEUGEOT | 306 |
| | SAAB | 900 |
| | SAAB | 9000 |
| | SEAT | ALHAMBRA |
| | SEAT | CORDOBA |
| | SEAT | IBIZA |
| | SEAT | TOLEDO |
| | VOLKSWAGEN | CADDY |
| | VOLKSWAGEN | CORRADO |
| | VOLKSWAGEN | GOLF (II SERIES) 08-83→12-92 |
| | VOLKSWAGEN | GOLF (III SERIES) 08-91→07-98 |
| | VOLKSWAGEN | GOLF (IV SERIES) 08-97→06-05 |
| | VOLKSWAGEN | JETTA (II SERIES) 08-83→12-92 |
| | VOLKSWAGEN | LUPO |
| | VOLKSWAGEN | PASSAT (32B) 11-79→06-89 |
| | VOLKSWAGEN | PASSAT (3A2 - 35I - 3A5 - 35I) 02-88→12-97 |
| | VOLKSWAGEN | PASSAT (3B2 - 3B5) 08-96→12-01 |
| | VOLKSWAGEN | POLO (III SERIES) 09-94→10-01 |
| | VOLKSWAGEN | POLO CLASSIC |
| | VOLKSWAGEN | SCIROCCO |
| | VOLKSWAGEN | SHARAN |

| | | |
|----------------|------------|--|
| | VOLKSWAGEN | TRANSPORTER (III SERIES) 05-79→12-92 |
| | VOLKSWAGEN | VENTO |
| | VOLVO | 740 - 760 - 780 |
| | VOLVO | 940 - 960 |
| | VOLVO | S90 - V90 |
| 30003-G | ALFA ROMEO | 145 - 146 |
| | ALFA ROMEO | 155 |
| | ALFA ROMEO | 164 |
| | AUDI | 100 (C2 SERIES) 76→82 |
| | AUDI | 100 (C3 SERIES) 82→90 |
| | AUDI | 200 |
| | AUDI | 80 - 90 (B2 SERIES) 78→86 |
| | AUDI | 80 - 90 (B3 SERIES) 86→91 |
| | AUDI | 80 (B4 SERIES) 91→95 |
| | AUDI | A4 (B5 SERIES) 94→01 |
| | AUDI | CABRIOLET |
| | AUDI | COUPE |
| | BMW | 3 SERIES (E30) 83→ |
| | CITROËN | ZX |
| | FORD | ESCORT - ORION |
| | FORD | SCORPIO |
| | FORD | SIERRA |
| | LADA | SAMARA (2108 - 2109) - FORMA (21099) |
| | MERCEDES | 124 - 200 - 500 (W124 SERIES) 85→06-93 |
| | MERCEDES | 190 (W201) 10-82→08-93 |
| | MERCEDES | CABRIOLET (A124) 9-91→6-93 |
| | MERCEDES | C-CLASS (S202-S203) 6-96→ |
| | MERCEDES | C-CLASS (W202) 3-93→5-00 |
| | MERCEDES | E-CLASS (C124-A124) 5-93→3-98 |
| | MERCEDES | E-CLASS (W124-S124) 6-93→6-96 |
| | MERCEDES | KOMBI T MODEL (S124) 9-85→06-93 |
| | PEUGEOT | 405 |
| | RENAULT | LAGUNA |
| | RENAULT | MEGANE |
| | RENAULT | SAFRANE |
| | RENAULT | SCENIC |
| | RENAULT | TWINGO |
| | SEAT | INCA |
| | SEAT | PANDA TRANS - TERRA - MARBELLA |
| | SEAT | RITMO - RONDA |
| | VOLKSWAGEN | CORRADO |
| | VOLKSWAGEN | JETTA (I SERIES) 08-78→02-84 |
| | VOLKSWAGEN | PASSAT (3A2 - 35I - 3A5 - 35I) 02-88→12-97 |
| | VOLKSWAGEN | TRANSPORTER (IV SERIES) 07-90→04-03 |
| | VOLVO | 340 - 360 |
| | VOLVO | 440 - 460 - 480 |
| | VOLVO | 740 - 760 - 780 |
| | VOLVO | 940 - 960 |
| 30004-G | ALFA ROMEO | 145 - 146 |
| | ALFA ROMEO | 147 |
| | ALFA ROMEO | 156 |
| | ALFA ROMEO | 159 |
| | ALFA ROMEO | 166 |

MANUFACTURAS WRKYNSON

www.wrakynson.com

Page 578 of 822



REPAIR KITS & THEIR APPLICATIONS



| | | | | |
|----------------|-----------------|--------------------------------|----------------|--|
| 30004-G | ALFA ROMEO | GIULIETTA | RENAULT | CLIO |
| | ALFA ROMEO | GT | RENAULT | ESPACE |
| | AUDI | A2 | RENAULT | FLUENCE |
| | AUDI | A3 (8L SERIES) 96→03 | RENAULT | KANGOO |
| | AUDI | A3 (8P SERIES) 02→12 | RENAULT | MEGANE |
| | AUDI | A4 (B5 SERIES) 94→01 | RENAULT | MODUS |
| | AUDI | A4 (B6 SERIES) 01→05 | RENAULT | SCENIC |
| | AUDI | A4 (B7 SERIES) 05→07 | RENAULT | TRAFIC |
| | AUDI | A5 | SAAB | 9.5 |
| | AUDI | A6 (C5 SERIES) 97→04 | SEAT | ALHAMBRA |
| | AUDI | A7 | SEAT | ALTEA |
| | AUDI | ALLROAD | SEAT | IBIZA |
| | AUDI | Q3 | SEAT | LEON |
| | AUDI | Q5 | SEAT | TOLEDO |
| | AUDI | TT (8J SERIES) 07→14 | SKODA | FABIA |
| | AUDI | TT (8N SERIES) 98→06 | SKODA | OCTAVIA |
| | CHRYSLER | VOYAGER | SKODA | ROOMSTER |
| | CITROËN | BERLINGO | SKODA | SUPERB |
| | CITROËN | C2 | SKODA | YETI |
| | CITROËN | C3 | TOYOTA | AVENSIS |
| | CITROËN | C4 | TOYOTA | COROLLA (E11 SERIES) 04-97→06-02 |
| | CITROËN | C5 | VOLKSWAGEN | CADDY |
| | CITROËN | C6 | VOLKSWAGEN | CC (358 SERIES) 11-11→ |
| | CITROËN | DS3 | VOLKSWAGEN | EOS |
| | CITROËN | DS4 | VOLKSWAGEN | GOLF (V SERIES) 10-03→02-09 |
| | CITROËN | DS5 | VOLKSWAGEN | GOLF (VI SERIES) 10-08→11-13 |
| | CITROËN | JUMPY | VOLKSWAGEN | GOLF (VII SERIES) 11-12→ |
| | CITROËN | XSARA | VOLKSWAGEN | GOLF PLUS 01-05→ |
| | DODGE | JOURNEY | VOLKSWAGEN | JETTA (III SERIES) 08-05→10-10 |
| | FIAT | 500 | VOLKSWAGEN | JETTA (IV SERIES) 04-10→ |
| | FIAT | FREEMONT | VOLKSWAGEN | LUPO |
| | FIAT | SCUDO | VOLKSWAGEN | MULTIVAN |
| | FORD | GALAXY | VOLKSWAGEN | NEW BEETLE |
| | HONDA | ACCORD (VI SERIES) 03-97→12-03 | VOLKSWAGEN | PASSAT (362 - 365) 08-10→ |
| | HONDA | SHUTTLE | VOLKSWAGEN | PASSAT (3C2 - 3C5) 03-05→ |
| | LANCIA | DELTA - PRISMA | VOLKSWAGEN | PASSAT CC (357) 05-08→ |
| | LANCIA | KAPPA | VOLKSWAGEN | POLO (III SERIES) 09-94→10-01 |
| | LANCIA | VOYAGER LIMUSINA | VOLKSWAGEN | POLO (IV SERIES) 10-01→11-09 |
| | MITSUBISHI | CARISMA | VOLKSWAGEN | POLO CLASSIC |
| | MITSUBISHI | SPACE STAR | VOLKSWAGEN | SCIROCCO |
| | NISSAN - DATSUN | PRIMASTAR | VOLKSWAGEN | SHARAN |
| | OPEL | INSIGNIA | VOLKSWAGEN | TIGUAN |
| | OPEL | VIVARO | VOLKSWAGEN | TOURAN |
| | PEUGEOT | 1007 | VOLKSWAGEN | TRANSPORTER (IV SERIES) 07-90→04-03 |
| | PEUGEOT | 2008 | VOLVO | S40 - V40 - V50 |
| | PEUGEOT | 207 | 30005-G | TROOPER |
| | PEUGEOT | 208 | ISUZU | 626 |
| | PEUGEOT | 208 | MAZDA | GALANT (V SERIES) 11-92→10-96 |
| | PEUGEOT | 3008 | MITSUBISHI | GALANT (VI SERIES) 09-96→10-04 |
| | PEUGEOT | 307 | MITSUBISHI | MONTERO |
| | PEUGEOT | 407 | MITSUBISHI | PAJERO |
| | PEUGEOT | 5008 | MITSUBISHI | SIGMA |
| | PEUGEOT | 508 | MITSUBISHI | SPACE RUNNER |
| | PEUGEOT | 607 | MITSUBISHI | SPACE WAGON |
| | PEUGEOT | EXPERT | OPEL | FRONTERA |
| | PEUGEOT | PARTNER | OPEL | MONTEREY |
| | PEUGEOT | RCZ | | |
| | RENAULT | AVANTIME | | |

MANUFACTURAS WRKYNSON

www.wrakynson.com

Page 579 of 822



REPAIR KITS & THEIR APPLICATIONS



| | | | | |
|----------------|------------|-----------------------------------|----------------|--|
| 30023-G | BMW | 3 SERIES (E90) 05→ | MERCEDES | C-CLASS (W204-S204) 1-07→ |
| | BMW | 3 SERIES (E92) 6-06→ | MERCEDES | CLK (A208-A209) 3-98→ |
| | BMW | 3 SERIES (E93) 8-06→ | MERCEDES | CLK (C208-C209) 6-97→ |
| | BMW | 3 TOURING (E91) 05→ | MERCEDES | CLS (C219) 10-04→ |
| | BMW | 5 SERIES (E28) 81→88 | MERCEDES | E-CLASS (W210-S210-T210) 6-95→3-03 |
| | BMW | 5 SERIES (E34) 88→ | MERCEDES | E-CLASS (W211-S211) 3-02→ |
| | BMW | 5 SERIES (E39) 96→ | MERCEDES | M-CLASS (W164) 7-05→ |
| | BMW | 5 SERIES (E60) 07-03→ | MERCEDES | R-CLASS (W251-V251) 1-06→ |
| | BMW | 5 SERIES (E61) 6-04→ | MERCEDES | S-CLASS (C215-C216) 3-99→ |
| | BMW | 6 SERIES (E24) 76→88 | MERCEDES | S-CLASS (W220) 10-98→08-05 |
| | BMW | 6 SERIES (E63 - E64) 1-04→ | MERCEDES | S-CLASS (W221) 10-05→ |
| | BMW | 7 SERIES (E23) 77→86 | MERCEDES | SLK (R170) 4-96→4-04 |
| | BMW | 7 SERIES (E32) 87→ | MERCEDES | SPRINTER (BM901-902-903-904-905) 95→06 |
| | BMW | 7 SERIES (E38) 94→ | MERCEDES | V-CLASS (BM638-2) 2-96→7-03 |
| | BMW | 7 SERIES (E65 - E66 - E67) 11-01→ | MERCEDES | VITO (BM638) 02-96→7-03 |
| | BMW | 8 SERIES (E31) 90→ | MINI | MINI (R50 - R53) |
| | BMW | X1 (E84) 03-09→ | VOLVO | 440 - 460 - 480 |
| | BMW | X3 (E83) | 30024-G | DAIHATSU |
| | BMW | X5 (E53) 01→ | FORD | APPLAUSE |
| | BMW | Z1 | MAZDA | PROBE |
| | BMW | Z3 | MAZDA | 323 (BA SERIE) 05-94→01-01 |
| | BMW | Z4 (E85) | MAZDA | 323 (BG SERIE) 04-87→09-00 |
| | CITROËN | C4 | MAZDA | 626 |
| | CITROËN | C5 | MAZDA | MX5 |
| | CITROËN | EVASION | MAZDA | MX6 |
| | CITROËN | SAXO | MAZDA | XEDOS |
| | CITROËN | XSARA | 30025-G | SEAT |
| | DAEWOO | ESPERO | SEAT | AROSA |
| | DAEWOO | LANOS | SEAT | CORDOBA |
| | DAEWOO | NEXIA | SEAT | IBIZA |
| | FIAT | ULYSSE | VOLKSWAGEN | TOLEDO |
| | FORD | C-MAX | VOLKSWAGEN | CADDY |
| | FORD | COUGAR | VOLKSWAGEN | GOLF (I SERIES) 04-74→12-85 |
| | FORD | ESCORT - ORION | VOLKSWAGEN | GOLF (II SERIES) 08-83→12-92 |
| | FORD | FIESTA | VOLKSWAGEN | GOLF (III SERIES) 08-91→07-98 |
| | FORD | FOCUS | VOLKSWAGEN | JETTA (I SERIES) 08-78→02-84 |
| | FORD | FOCUS C-MAX | VOLKSWAGEN | JETTA (II SERIES) 08-83→12-92 |
| | FORD | GALAXY | VOLKSWAGEN | LUPO |
| | FORD | KA | VOLKSWAGEN | PASSAT (32 - 33) 05-73→07-80 |
| | FORD | MONDEO | VOLKSWAGEN | PASSAT (32B) 11-79→06-89 |
| | FORD | PUMA | VOLKSWAGEN | POLO (II SERIES) 10-81→09-94 |
| | FORD | SCORPIO | VOLKSWAGEN | POLO (III SERIES) 09-94→10-01 |
| | FORD | SIERRA | VOLKSWAGEN | POLO CLASSIC |
| | FORD | S-MAX | VOLKSWAGEN | SCIROCCO |
| | FORD | TOURNEO | VOLKSWAGEN | VENTO |
| | FORD | TRANSIT CONNECT | 30026-G | SEAT |
| | HONDA | ACCORD (VII SERIES) 02-03→ | SEAT | AROSA |
| | HONDA | ACCORD (VIII SERIES) 06-08→ | SEAT | CORDOBA |
| | JAGUAR | XJ - XJS | VOLKSWAGEN | IBIZA |
| | KIA | SEPHIA | VOLKSWAGEN | DERBY |
| | LANCIA | ZETA | VOLKSWAGEN | GOLF (II SERIES) 08-83→12-92 |
| | LAND ROVER | FREELANDER | VOLKSWAGEN | JETTA (II SERIES) 08-83→12-92 |
| | MAZDA | 121 | VOLKSWAGEN | POLO (II SERIES) 10-81→09-94 |
| | MAZDA | 2 | VOLKSWAGEN | POLO (III SERIES) 09-94→10-01 |
| | MAZDA | 3 | VOLKSWAGEN | POLO CLASSIC |
| | MAZDA | 5 | 30027-G | FORD |
| | MERCEDES | C-CLASS (W202) 3-93→5-00 | FORD | PROBE |
| | | | MAZDA | 323 (BJ SERIES) 05-98→05-04 |
| | | | MAZDA | 626 |
| | | | MAZDA | PREMACY |

MANUFACTURAS WRKYNSON

www.wrakynson.com

Page 582 of 822



REPAIR KITS & THEIR APPLICATIONS



| | | |
|----------------|------------|--|
| 30027-G | MITSUBISHI | CARISMA |
| | MITSUBISHI | COLT |
| | MITSUBISHI | ECLIPSE |
| | MITSUBISHI | GALANT (III SERIES) 10-83→04-90 |
| | MITSUBISHI | GALANT (IV SERIES) 11-87→03-93 |
| | MITSUBISHI | L400 |
| | MITSUBISHI | LANCER (III SERIES C1-C3) 11-83→06-92 |
| | MITSUBISHI | LANCER (IV SERIES C6-C7) 04-88→05-94 |
| | MITSUBISHI | LANCER (V SERIES CB-CD) 06-92→09-00 |
| | MITSUBISHI | MONTERO |
| | MITSUBISHI | PAJERO |
| | MITSUBISHI | SAPORO |
| | MITSUBISHI | SIGMA |
| | MITSUBISHI | SPACE RUNNER |
| | MITSUBISHI | SPACE WAGON |
| | MITSUBISHI | TREDIA - CORDIA |
| | TOYOTA | COROLLA (E10 SERIES) 06-91→11-99 |
| | TOYOTA | COROLLA (E8 SERIES) 05-83→06-89 |

| | | |
|----------------|-------|-----------------------------|
| 30028-G | FORD | PROBE |
| | MAZDA | 323 (BJ SERIES) 05-98→05-04 |
| | MAZDA | 6 |
| | MAZDA | 626 |
| | MAZDA | MX6 |
| | MAZDA | PREMACY |
| | MAZDA | XEDOS |

| | | |
|----------------|------|----------------|
| 30029-G | FORD | ESCORT - ORION |
| | FORD | FIESTA |
| | FORD | MONDEO |

| | | |
|----------------|------|--------|
| 30030-G | FORD | COUGAR |
| | FORD | MONDEO |

| | | |
|----------------|------|----------------------------|
| 30031-G | FORD | TRANSIT (III SERIES) 86→00 |
|----------------|------|----------------------------|

| | | |
|----------------|-----------------|---|
| 30032-G | CITROËN | JUMPER |
| | FIAT | CROMA |
| | FIAT | DUCATO |
| | FORD | TRANSIT (V SERIES) 06→13 |
| | IVECO | DAILY (II SERIES) 01-90→05-99 |
| | IVECO | DAILY (III SERIES) 06-99→05-06 |
| | IVECO | DAILY (IV SERIES) 06-06→09-11 |
| | MERCEDES | SPRINTER (906) 06→ |
| | MERCEDES | SPRINTER (BM901-902-903-904-905) 95→06 |
| | MERCEDES | VIANO (W639) 9-03→ |
| | MERCEDES | VITO (W639) 9-03→ |
| | NISSAN - DATSUN | CABSTAR - ATLAS |
| | PEUGEOT | BOXER |
| | RENAULT | MASCOTT |

| | | |
|----------------|-------|--------------------------------|
| 30033-G | IVECO | DAILY (III SERIES) 06-99→05-06 |
|----------------|-------|--------------------------------|

| | | |
|----------------|-----------------|-------------------------------|
| 30034-G | IVECO | DAILY (IV SERIES) 06-06→09-11 |
| | NISSAN - DATSUN | CABSTAR - ATLAS |

| | | |
|----------------|-----------------|--------------------------------|
| 30035-G | IVECO | DAILY (III SERIES) 06-99→05-06 |
| | MERCEDES | SPRINTER (906) 06→ |
| | MERCEDES | VITO (W639) 9-03→ |
| | NISSAN - DATSUN | CABSTAR - ATLAS |
| | RENAULT | MASCOTT |

| | | |
|----------------|------------|---------------|
| | VOLKSWAGEN | CRAFTER |
| 30037-G | RENAULT | CLIO |
| | RENAULT | EXPRESS |
| | RENAULT | R19 - CHAMADE |
| | RENAULT | SUPER 5 |

| | | |
|----------------|---------|---------------|
| 30038-G | CITROËN | AX |
| | CITROËN | BX |
| | CITROËN | SAXO |
| | CITROËN | XSARA |
| | CITROËN | ZX |
| | PEUGEOT | 106 |
| | PEUGEOT | 205 |
| | PEUGEOT | 206 |
| | PEUGEOT | 305 |
| | PEUGEOT | 306 |
| | PEUGEOT | 309 |
| | PEUGEOT | 405 |
| | PEUGEOT | 505 |
| | RENAULT | ALPINE |
| | RENAULT | CLIO |
| | RENAULT | ESPACE |
| | RENAULT | FUEGO |
| | RENAULT | MEGANE |
| | RENAULT | R18 |
| | RENAULT | R19 - CHAMADE |
| | RENAULT | R20 |
| | RENAULT | R21 - NEVADA |
| | RENAULT | R30 |
| | RENAULT | R5 - R6 |
| | RENAULT | R9 - R11 |
| | RENAULT | SAFRANE |
| | RENAULT | SUPER 5 |

| | | |
|----------------|-----------------|---|
| 30039-G | HONDA | ACCORD (VIII SERIES) 06-08→ |
| | HONDA | CR-V (II SERIES) |
| | INFINITI | QX4 |
| | MITSUBISHI | LANCER (VI SERIES CS-CT) 12-00→03-11 |
| | NISSAN - DATSUN | PATHFINDER |
| | NISSAN - DATSUN | X-TRAIL |
| | SUBARU | FORESTER |
| | SUBARU | IMPREZA |
| | SUBARU | LEGACY (II SERIES) 02-94→03-99 |
| | SUBARU | LEGACY (III SERIES) 10-98→08-03 |
| | SUBARU | OUTBACK |

| | | |
|----------------|-----------------|---------|
| 30040-G | NISSAN - DATSUN | CUBE |
| | NISSAN - DATSUN | QASHQAI |
| | NISSAN - DATSUN | TIIDA |
| | NISSAN - DATSUN | X-TRAIL |

| | | |
|----------------|---------|----------------------|
| 30041-G | AUDI | A4 (B5 SERIES) 94→01 |
| | AUDI | A4 (B6 SERIES) 01→05 |
| | AUDI | A5 |
| | AUDI | A6 (C6 SERIES) 04→11 |
| | AUDI | A6 (C7 SERIES) 11→ |
| | AUDI | A7 |
| | AUDI | A8 (4E SERIES) 03→10 |
| | AUDI | Q5 |
| | CITROËN | EVASION |



REPAIR KITS & THEIR APPLICATIONS



| | | |
|----------------|------------|---------------------------------|
| 30041-G | CITROËN | JUMPER |
| | CITROËN | JUMPY |
| | CITROËN | ZX |
| | FIAT | 500 |
| | FIAT | DUCATO |
| | FIAT | PANDA - MARBELLA |
| | FIAT | PUNTO (176 SERIES) |
| | FIAT | PUNTO (188 SERIES) |
| | FIAT | SCUDO |
| | FIAT | ULYSSE |
| | HYUNDAI | ix20 |
| | KIA | VENGA |
| | LANCIA | LYBRA |
| | LANCIA | MUSA |
| | LANCIA | PHEDRA |
| | LANCIA | THESIS |
| | LANCIA | ZETA |
| | LAND ROVER | DISCOVERY |
| | LAND ROVER | RANGE ROVER SPORT |
| | MERCEDES | A-CLASS (W169) 09-04→ |
| | MERCEDES | B-CLASS (W245) 03-05→ |
| | MERCEDES | C-CLASS (W204-S204) 1-07→ |
| | MERCEDES | E-CLASS (W212-S212) 01-09→ |
| | MERCEDES | E-CLASS CABRIO (A207) |
| | MERCEDES | E-CLASS COUPE (C207) 01-09→ |
| | MERCEDES | M-CLASS (166) ML 06-11→ |
| | OPEL | ASTRA (G SERIES) |
| | OPEL | ASTRA (H SERIES) |
| | OPEL | COMBO |
| | OPEL | CORSA (C SERIES) |
| | OPEL | INSIGNIA |
| | OPEL | MERIVA |
| | OPEL | TIGRA |
| | OPEL | ZAFIRA |
| | PEUGEOT | 306 |
| | PEUGEOT | 406 |
| | PEUGEOT | 607 |
| | PEUGEOT | 806 |
| | PEUGEOT | BOXER |
| | PEUGEOT | EXPERT |
| | PEUGEOT | PARTNER |
| | SAAB | 9.5 |
| | SEAT | ALTEA |
| | VOLKSWAGEN | BORA |
| | VOLKSWAGEN | MULTIVAN |
| | VOLKSWAGEN | NEW BEETLE |
| | VOLKSWAGEN | PASSAT (3B2 - 3B5) 08-96→12-01 |
| | VOLKSWAGEN | PHAETON |
| | VOLKSWAGEN | POLO (V SERIES) 06-09→ |
| | VOLKSWAGEN | TRANSPORTER (V SERIES) 04-03→ |
| 30042-G | HONDA | PRELUDE |
| | HONDA | QUINTET |
| | MAZDA | 323 (BD SERIE) 06-80→10-89 |
| | MAZDA | 626 |
| 30043-G | SUBARU | FORESTER |
| | SUBARU | IMPREZA |
| | SUBARU | LEGACY (III SERIES) 10-98→08-03 |

| | | |
|----------------|-----------------|--------------------------------|
| | SUBARU | LEGACY (IV SERIES) 09-03→08-09 |
| | SUBARU | OUTBACK |
| 30044-G | DAIHATSU | COPEN |
| | DAIHATSU | SIRION |
| | NISSAN - DATSUN | PIXO |
| | SUZUKI | ALTO |
| | SUZUKI | CARRY |
| | SUZUKI | IGNIS |
| 30045-G | OPEL | AGILA |
| | SMART | FORTWO |
| | SMART | ROADSTER |
| | SUZUKI | WAGON |
| | TOYOTA | YARIS |
| 30046-G | ALFA ROMEO | 159 |
| | ALFA ROMEO | BRERA |
| | ALFA ROMEO | SPIDER |
| | BMW | 1 SERIES (E81 - E87) 09-04→ |
| | BMW | 1 SERIES CABRIO (E88) 03-07→ |
| | BMW | 1 SERIES COUPE (E82) 09-07→ |
| | BMW | 3 SERIES (E90) 05→ |
| | CHRYSLER | VOYAGER |
| | CITROËN | C2 |
| | CITROËN | C3 |
| | DACIA | DUSTER |
| | FIAT | CROMA |
| | FIAT | SEDICI |
| | FORD | GALAXY |
| | FORD | KUGA |
| | FORD | MONDEO |
| | FORD | S-MAX |
| | HONDA | CIVIC (VIII SERIES) |
| | LANCIA | YPSILON |
| | LAND ROVER | DISCOVERY |
| | LAND ROVER | FREELANDER |
| | LAND ROVER | RANGE ROVER |
| | LAND ROVER | RANGE ROVER EVOQUE |
| | LAND ROVER | RANGE ROVER SPORT |
| | MINI | MINI (R50 - R53) |
| | MINI | MINI (R56) |
| | MINI | MINI CABRIO (R52) |
| | MINI | MINI CLUBMAN (R55) |
| | MITSUBISHI | COLT |
| | NISSAN - DATSUN | MICRA |
| | NISSAN - DATSUN | NOTE |
| | OPEL | AGILA |
| | RENAULT | CLIO |
| | RENAULT | KANGOO |
| | RENAULT | MODUS |
| | SMART | FORFOUR |
| | SUZUKI | SPLASH |
| | SUZUKI | SWIFT |
| | SUZUKI | SX4 |
| | VOLVO | S60 - S80 |
| | VOLVO | S70 - V70 - C70 |
| | VOLVO | V60 |
| | VOLVO | XC60 |
| | VOLVO | XC70 |

MANUFACTURAS WRKYNSON

www.wrakynson.com

Page 584 of 822



REPAIR KITS & THEIR APPLICATIONS



| | | |
|----------------|--|--|
| 30047-G | NISSAN - DATSUN NISSAN - DATSUN NISSAN - DATSUN SUZUKI | ALMERA CHERRY SUNNY - PULSAR - 100NX (B13 SERIES) VITARA - GRAND VITARA |
| 30048-G | HYUNDAI HYUNDAI KIA | i20 ix20 SORENTO |
| 30049-G | FORD SKODA | SIERRA FAVORIT |
| 30050-G | AUDI AUDI AUDI AUDI PEUGEOT RENAULT RENAULT RENAULT RENAULT RENAULT RENAULT RENAULT RENAULT SEAT SEAT SEAT SKODA SKODA SKODA VOLKSWAGEN VOLKSWAGEN VOLKSWAGEN VOLKSWAGEN VOLKSWAGEN | A1 A3 (8L SERIES) 96→03 TT (8J SERIES) 07→14 TT (8N SERIES) 98→06 308 CLIO GRAND SCENIC MEGANE MEGANE SCENIC SCENIC TWINGO WIND CORDOBA LEON TOLEDO FABIA OCTAVIA RAPID BORA GOLF (IV SERIES) 08-97→06-05 NEW BEETLE PASSAT (3B3 - 3B6) 11-00→05-05 POLO (V SERIES) 06-09→ |
| 30051-G | TOYOTA TOYOTA TOYOTA TOYOTA TOYOTA TOYOTA TOYOTA TOYOTA | AVENSIS CELICA IQ MR2 PREVIA PRIUS RAV-4 YARIS |
| 30052-G | TOYOTA | LAND CRUISER |
| 30053-G | MITSUBISHI MITSUBISHI MITSUBISHI MITSUBISHI MITSUBISHI | COLT LANCER (III SERIES C1-C3) 11-83→06-92 LANCER (IV SERIES C6-C7) 04-88→05-94 LANCER (V SERIES CB-CD) 06-92→09-00 LANCER (VI SERIES CS-CT) 12-00→03-11 |
| 30054-G | CHRYSLER | 300C |
| 30056-G | TOYOTA | AVENSIS |
| 30057-G | ALFA ROMEO CITROËN FIAT FIAT FIAT FIAT | MITO C4 DOBLO IDEA MULTIPLA STILO |

| | | |
|----------------|--|---|
| | FORD HONDA HONDA LANCIA LANCIA MERCEDES MERCEDES MERCEDES PEUGEOT PEUGEOT TOYOTA TOYOTA VOLKSWAGEN | TRANSIT TOURNEO CR-V (III SERIES) CR-V (IV SERIES) DELTA - PRISMA MUSA SPRINTER (906) 06→ VIANO (W639) 9-03→ VITO (W639) 9-03→ 207 307 AVENSIS COROLLA (E13 SERIES) 03-04→04-09 CRAFTER |
| 30058-G | CHEVROLET CHEVROLET CHEVROLET CHEVROLET CHEVROLET DAEWOO DAEWOO DAEWOO DAEWOO DAEWOO | EPICA EVANDA LACETTI NUBIRA TACUMA EVANDA LACETTI LEGANZA NUBIRA TACUMA |
| 30059-G | CITROËN FIAT | C4 PUNTO (199 SERIES) |
| 30060-G | HYUNDAI HYUNDAI HYUNDAI HYUNDAI HYUNDAI HYUNDAI | ACCENT ELANTRA GETZ LANTRA PONY - EXCEL SCOUPE |
| 30061-G | CHEVROLET HYUNDAI HYUNDAI HYUNDAI KIA KIA KIA KIA KIA KIA OPEL | CAPTIVA ELANTRA MATRIX SOLARIS CERATO OPTIMA RIO SORENTO SOUL ANTARA |
| 30062-G | HONDA HONDA | FR-V STREAM |
| 30063-G | ALFA ROMEO CITROËN CITROËN CITROËN PEUGEOT PEUGEOT PEUGEOT | 147 C5 C6 JUMPY 407 607 EXPERT |
| 30064-G | MAZDA MITSUBISHI MITSUBISHI SUZUKI TOYOTA | 323 (BJ SERIES) 05-98→05-04 MONTERO PAJERO VITARA - GRAND VITARA RAV-4 |
| 30065-G | KIA | SORENTO |

MANUFACTURAS WRKYNSON

www.wrakynson.com

Page 585 of 822



REPAIR KITS & THEIR APPLICATIONS



| | | |
|----------------|--|--|
| 30066-G | HONDA HONDA HONDA LAND ROVER LAND ROVER LAND ROVER ROVER ROVER ROVER ROVER ROVER | CIVIC (VI SERIES) CIVIC (VII SERIES) CONCERTO DISCOVERY FREELANDER RANGE ROVER 200 - 400 SERIES 25 45 800 SERIES MG STREETWISE |
| 30067-G | CHRYSLER HONDA | PT CRUISER ACCORD (VI SERIES) 03-97→12-03 |
| 30068-G | SUZUKI SUZUKI SUZUKI SUZUKI | BALENO JIMNY SJ410 - SJ413 - SAMURAI SWIFT |
| 30069-G | HONDA HONDA HONDA HONDA HONDA SUZUKI | CIVIC (V SERIES) CIVIC (VI SERIES) CRX INTEGRA JAZZ LOGO LIANA |
| 30070-G | MERCEDES SKODA SKODA | SPRINTER (BM901-902-903-904-905) 95→06 OCTAVIA SUPERB |
| 30071-G | CHEVROLET CHEVROLET DAEWOO HONDA HONDA SUZUKI SUZUKI | EPICA EVANDA EVANDA CIVIC (I SERIES) CIVIC (II SERIES) ALTO CARRY |
| 30072-G | VOLKSWAGEN VOLKSWAGEN | CARAVELLE TRANSPORTER (IV SERIES) 07-90→04-03 |
| 30073-G | FORD | TRANSIT (IV SERIES) 00→06 |
| 30074-G | CHRYSLER CITROËN CITROËN DODGE DODGE JEEP JEEP MITSUBISHI MITSUBISHI MITSUBISHI MITSUBISHI PEUGEOT PEUGEOT | SEBRING C CROSSER C4 AVENGER CALIBER COMPASS PATRIOT ASX GRANDIS LANCER (VI SERIES CS-CT) 12-00→03-11 OUTLANDER 4007 4008 |
| 30075-G | TOYOTA | COROLLA (E11 SERIES) 04-97→06-02 |
| 30076-G | KIA | CERATO |
| 30077-G | TOYOTA | COROLLA (E12 SERIES) 03-01→05-04 |

| | | |
|----------------|---|---|
| 30078-G | CITROËN CITROËN FIAT FIAT JAGUAR JAGUAR LANCIA LANCIA MERCEDES MERCEDES MERCEDES MERCEDES MERCEDES MERCEDES MERCEDES MERCEDES MERCEDES MERCEDES MERCEDES MITSUBISHI MITSUBISHI MITSUBISHI NISSAN - DATSUN NISSAN - DATSUN NISSAN - DATSUN OPEL PEUGEOT PEUGEOT PEUGEOT RENAULT RENAULT RENAULT SEAT SEAT SKODA SKODA SMART VOLKSWAGEN VOLVO | C8 JUMPY SCUDO ULYSSE S-TYPE XJ - XJS PHEDRA THESIS C-CLASS (S202-S203) 6-96→ C-CLASS (W203) 5-00→ C-CLASS COUPE (CL203) 03-01→ CLC-CLASS (203) 5-08→ CLK (A208-A209) 3-98→ CLK (C208-C209) 6-97→ SLK (R171) 3-04→ Vaneo (414) 2-02→ CARISMA COLT SPACE STAR ALMERA PRIMASTER PRIMERA VIVARO 407 807 EXPERT AVANTIME ESPACE TRAFIC CORDOBA IBIZA FABIA ROOMSTER FORFOUR POLO (IV SERIES) 10-01→11-09 S40 - V40 - V50 |
| 30079-G | VOLVO VOLVO VOLVO | 740 - 760 - 780 940 - 960 S90 - V90 |
| 30080-G | HYUNDAI MITSUBISHI MITSUBISHI MITSUBISHI MITSUBISHI MITSUBISHI MITSUBISHI MITSUBISHI MITSUBISHI MITSUBISHI MITSUBISHI MITSUBISHI | SANTAMO COLT ECLIPSE GALANT (IV SERIES) 11-87→03-93 GALANT (V SERIES) 11-92→10-96 GALANT (VI SERIES) 09-96→10-04 L200 L400 LANCER (IV SERIES C6-C7) 04-88→05-94 MONTERO PAJERO |
| 30081-G | OPEL | CORSA (D SERIES) |
| 30082-G | SUBARU TOYOTA TOYOTA TOYOTA TOYOTA | TREZIA AURIS COROLLA (E15 SERIES) 11-06→ IQ URBAN CRUISER |

MANUFACTURAS WRACKYNSON

www.wrakynson.com

Page 586 of 822



REPAIR KITS & THEIR APPLICATIONS



| | | |
|----------------|-----------------|-------------------------------------|
| 30082-G | TOYOTA | YARIS |
| 30083-G | CHEVROLET | CRUZE |
| | CHEVROLET | ORLANDO |
| | CHEVROLET | TRAX |
| | OPEL | AMPERA |
| | OPEL | ASTRA (J SERIES) |
| | OPEL | CASCADA - CABRIO |
| | OPEL | MOKKA |
| | OPEL | ZAFIRA |
| 30084-G | HYUNDAI | i40 |
| | HYUNDAI | ix35 |
| | KIA | SPORTAGE |
| 30085-G | CHRYSLER | SEBRING |
| | CITROËN | C4 |
| | DODGE | AVENGER |
| | DODGE | CALIBER |
| | JEEP | COMPASS |
| | JEEP | PATRIOT |
| | MITSUBISHI | ASX |
| | PEUGEOT | 4008 |
| 30086-G | TOYOTA | COROLLA (E12 SERIES) 03-01→05-04 |
| 30087-G | CITROËN | C CROSSER |
| | ISUZU | TROOPER |
| | MITSUBISHI | ECLIPSE |
| | MITSUBISHI | GALANT (IV SERIES) 11-87→03-93 |
| | MITSUBISHI | L200 |
| | MITSUBISHI | L400 |
| | MITSUBISHI | MONTERO |
| | MITSUBISHI | OUTLANDER |
| | MITSUBISHI | PAJERO |
| | MITSUBISHI | SIGMA |
| | MITSUBISHI | SPACE RUNNER |
| | MITSUBISHI | SPACE WAGON |
| | OPEL | FRONTERA |
| | OPEL | MONTEREY |
| | PEUGEOT | 4007 |
| 30088-G | NISSAN - DATSUN | BLUEBIRD |
| | NISSAN - DATSUN | LAUREL |
| | NISSAN - DATSUN | PICK-UP |
| | NISSAN - DATSUN | PRAIRIE |
| | NISSAN - DATSUN | SERENA |
| | NISSAN - DATSUN | SILVIA |
| | NISSAN - DATSUN | VANETTE |
| 30089-G | DACIA | LOGAN |
| | DACIA | SANDERO |
| | PEUGEOT | 205 |
| | PEUGEOT | 309 |
| | RENAULT | CLIO |
| | RENAULT | ESPACE |
| | RENAULT | EXPRESS |
| | RENAULT | FUEGO |
| | RENAULT | R18 |
| | RENAULT | R19 - CHAMADE |
| | RENAULT | R20 |
| | RENAULT | R21 - NEVADA |
| | RENAULT | R25 |

| | | |
|----------------|------------|--|
| | RENAULT | R4 |
| | RENAULT | R9 - R11 |
| | RENAULT | SAFRANE |
| | RENAULT | SUPER 5 |
| | RENAULT | THALIA |
| 30090-G | CITROËN | C25 |
| | PEUGEOT | J5 |
| 30091-G | VOLKSWAGEN | GOLF (I SERIES) 04-74→12-85 |
| | VOLKSWAGEN | JETTA (I SERIES) 08-78→02-84 |
| | VOLKSWAGEN | SCIROCCO |
| 30092-G | CITROËN | XSARA |
| | PEUGEOT | 206 |
| | PEUGEOT | 306 |
| | SUZUKI | SWIFT |
| 30093-G | FORD | TRANSIT (V SERIES) 06→13 |
| | FORD | TRANSIT TOURNEO |
| | MERCEDES | SPRINTER (906) 06→ |
| | VOLKSWAGEN | AMAROK |
| | VOLKSWAGEN | CRAFTER |
| 30094-G | BMW | 1 SERIES COUPE (E82) 09-07→ |
| | BMW | 3 SERIES (E90) 05→ |
| | BMW | 3 SERIES (E92) 6-06→ |
| | BMW | 3 SERIES (E93) 8-06→ |
| | BMW | 3 TOURING (E91) 05→ |
| | BMW | 5 SERIES (E60) 07-03→ |
| | BMW | 5 SERIES (E61) 6-04→ |
| | BMW | 6 SERIES (E63 - E64) 1-04→ |
| | BMW | 7 SERIES (E65 - E66 - E67) 11-01→ |
| | BMW | X1 (E84) 03-09→ |
| | BMW | Z4 (E89) |
| | VOLVO | S60 - S80 |
| | VOLVO | XC90 |
| 30095-G | AUDI | A8 (4E SERIES) 03→10 |
| | BMW | 5 SERIES (E60) 07-03→ |
| | BMW | 5 SERIES (E61) 6-04→ |
| | BMW | 6 SERIES (E63 - E64) 1-04→ |
| | BMW | 7 SERIES (E65 - E66 - E67) 11-01→ |
| | FORD | GALAXY |
| | SEAT | ALHAMBRA |
| | VOLKSWAGEN | PHAETON |
| | VOLKSWAGEN | SHARAN |
| | VOLKSWAGEN | TOUAREG |
| | VOLKSWAGEN | TRANSPORTER (IV SERIES) 07-90→04-03 |
| | VOLKSWAGEN | TRANSPORTER (V SERIES) 04-03→ |
| 30096-G | MERCEDES | GLK - CLASS (X204) 6-08→ |
| 30097-G | HONDA | ACCORD (II SERIES) 09-83→10-85 |
| | HYUNDAI | ACCENT |
| | HYUNDAI | ELANTRA |
| | HYUNDAI | LANTRA |
| | HYUNDAI | PONY - EXCEL |
| | HYUNDAI | SCOUPE |
| 30098-G | SUBARU | IMPREZA |
| | SUBARU | LEGACY (I SERIES) 01-89→08-94 |
| | SUBARU | LEGACY (II SERIES) 02-94→03-99 |
| | SUBARU | LEGACY (III SERIES) 10-98→08-03 |
| 30099-G | MITSUBISHI | COLT |

MANUFACTURAS WRACKYNSON

www.wrakynson.com

Page 587 of 822



REPAIR KITS & THEIR APPLICATIONS



| | | |
|----------------|-----------------|---|
| 30099-G | MITSUBISHI | LANCER (III SERIES C1-C3) 11-83→06-92 |
| 30100-G | TOYOTA | COROLLA (E11 SERIES) 04-97→06-02 |
| | TOYOTA | COROLLA (E8 SERIES) 05-83→06-89 |
| 30101-G | TOYOTA | CELICA |
| | TOYOTA | F-MODEL |
| | TOYOTA | LITEACE |
| | TOYOTA | MR2 |
| | TOYOTA | SUPRA |
| 30102-G | SUZUKI | WAGON |
| 30103-G | AUDI | A4 (B8 SERIES) 08→ |
| | AUDI | A5 |
| | AUDI | A6 (C7 SERIES) 11→ |
| | AUDI | A7 |
| | AUDI | Q5 |
| | CHRYSLER | 300M |
| | CHRYSLER | CONCORDE |
| | CHRYSLER | PT CRUISER |
| | CHRYSLER | VOYAGER |
| | FORD | FOCUS |
| | JEEP | CHEROKEE |
| | JEEP | COMMANDER |
| | JEEP | GRAND CHEROKEE |
| | JEEP | WRANGLER |
| | KIA | CARNIVAL |
| | KIA | SPORTAGE |
| | MERCEDES | C-CLASS (W204-S204) 1-07→ |
| | MERCEDES | C-CLASS COUPE (C204) 06-11→ |
| | MERCEDES | CLS (C218) 01-11→ |
| | MERCEDES | E-CLASS (W212-S212) 01-09→ |
| | MERCEDES | E-CLASS CABRIO (A207) |
| | MERCEDES | E-CLASS COUPE (C207) 01-09→ |
| | MERCEDES | M-CLASS (166) ML 06-11→ |
| | MERCEDES | M-CLASS (W163) 2-98→6-05 |
| | MERCEDES | SLK (R172) 02-11→ |
| 30104-G | HYUNDAI | i20 |
| 30105-G | ISUZU | CAMPO |
| | ISUZU | TROOPER |
| | OPEL | CAMPO |
| | OPEL | FRONTERA |
| 30106-G | TOYOTA | CAMRY |
| | TOYOTA | CARINA |
| | TOYOTA | COROLLA (E8 SERIES) 05-83→06-89 |
| 30107-G | MAZDA | 626 |
| 30108-G | KIA | PICANTO |
| | MAZDA | DEMIO |
| 30109-G | MERCEDES | G-CLASS (W460-461-463) 79→ |
| | MERCEDES | SPRINTER (BM901-902-903-904-905) 95→06 |
| | MERCEDES | V-CLASS (BM638-2) 2-96→7-03 |
| | MERCEDES | VIANO (W639) 9-03→ |
| | MERCEDES | VITO (BM638) 02-96→7-03 |
| | MERCEDES | VITO (W639) 9-03→ |
| | VOLKSWAGEN | LT SERIES |
| 30110-G | NISSAN - DATSUN | MICRA |
| 30111-G | MAZDA | 323 (BF - BW SERIES) 08-85→10-98 |

| | | |
|----------------|-----------------|-------------------------------------|
| | MAZDA | MX3 |
| 30112-G | CITROËN | XANTIA |
| | CITROËN | XM |
| | FIAT | 500 |
| | FIAT | CINQUECENTO |
| | FIAT | PANDA - MARBELLA |
| | FIAT | PUNTO (176 SERIES) |
| | FIAT | SEICENTO |
| | LANCIA | Y10 - A112 - FIRE LX |
| | PEUGEOT | 605 |
| 30113-G | KIA | PICANTO |
| 30114-G | TOYOTA | DYNA |
| | TOYOTA | HIACE |
| | TOYOTA | HILUX |
| | VOLKSWAGEN | TARO |
| 30115-G | FORD | TRANSIT (III SERIES) 86→00 |
| | FORD | TRANSIT TOURNEO |
| 30116-G | VOLVO | 740 - 760 - 780 |
| | VOLVO | 940 - 960 |
| 30117-G | NISSAN - DATSUN | NV400 |
| | OPEL | MOVANO |
| | RENAULT | MASTER |
| 30118-G | NISSAN - DATSUN | INTERSTART |
| | OPEL | MOVANO |
| | RENAULT | MASTER |
| 30119-G | DAIHATSU | CUORE |
| | KIA | PRIDE |
| | MAZDA | 121 |
| | TOYOTA | CELICA |
| | TOYOTA | COROLLA (E12 SERIES) 03-01→05-04 |
| | TOYOTA | PRIUS |
| | TOYOTA | RAV-4 |
| | TOYOTA | YARIS |
| 30120-G | CITROËN | AX |
| | CITROËN | SAXO |
| | PEUGEOT | 106 |
| 30121-G | PEUGEOT | 306 |
| | PEUGEOT | 405 |
| 30122-G | CITROËN | EVASION |
| | CITROËN | JUMPY |
| | FIAT | SCUDO |
| | FIAT | ULYSSE |
| | PEUGEOT | EXPERT |
| 30123-G | RENAULT | CLIO |
| | RENAULT | EXPRESS |
| | RENAULT | R19 - CHAMADE |
| | RENAULT | SUPER 5 |
| | RENAULT | TWINGO |
| 30124-G | MERCEDES | V-CLASS (BM638-2) 2-96→7-03 |
| | MERCEDES | VITO (BM638) 02-96→7-03 |
| 30125-G | MERCEDES | VITO (BM638) 02-96→7-03 |
| | PEUGEOT | 406 |
| | PEUGEOT | 605 |
| | PEUGEOT | 607 |
| 30126-G | RENAULT | R21 - NEVADA |
| 30127-G | RENAULT | ESPACE |

MANUFACTURAS WRAKYNSON

www.wrakynson.com

Page 588 of 822



REPAIR KITS & THEIR APPLICATIONS



| | | |
|----------------|--|--|
| 30127-G | RENAULT RENAULT | LAGUNA SAFRANE |
| 30128-G | HYUNDAI HYUNDAI KIA | ACCENT SOLARIS RIO |
| 30129-G | DAIHATSU FORD MAZDA NISSAN - DATSUN NISSAN - DATSUN NISSAN - DATSUN NISSAN - DATSUN NISSAN - DATSUN SUBARU | SIRION FIESTA 2 CUBE JUKE PATROL TEANA TIIDA JUSTY |
| 30130-G | HYUNDAI | ix55 |
| 30131-G | NISSAN - DATSUN NISSAN - DATSUN NISSAN - DATSUN NISSAN - DATSUN TOYOTA | PATROL SERENA SUNNY - PULSAR - 100NX (B13 SERIES) TERRANO SUPRA |
| 30132-G | DAIHATSU DAIHATSU FORD MAZDA MAZDA | FEROZA ROCKY PROBE 626 B SERIES |
| 30133-G | HONDA HONDA HONDA HONDA | ACCORD (III SERIES) 11-85→12-89 CRX INTEGRA PRELUDE |
| 30134-G | ACURA HONDA HONDA HONDA HONDA HONDA HONDA HONDA HONDA | TL ACCORD (V SERIES) 03-93→10-98 CR-V (I SERIES) HR-V INTEGRA LEGEND NSX PRELUDE SHUTTLE |
| 30135-G | HONDA HONDA HONDA HONDA HONDA HONDA HONDA | ACCORD (VII SERIES) 02-03→ CR-V (II SERIES) FR-V INTEGRA JAZZ LEGEND S2000 STREAM |
| 30136-G | MITSUBISHI MITSUBISHI MITSUBISHI | L200 MONTERO PAJERO |
| 30137-G | NISSAN - DATSUN NISSAN - DATSUN NISSAN - DATSUN NISSAN - DATSUN NISSAN - DATSUN NISSAN - DATSUN | BLUEBIRD D50 LIVINA MARCH SUNNY - PULSAR - 100NX (B13 SERIES) TIIDA |

| | | |
|----------------|---|--|
| 30138-G | MERCEDES | SPRINTER (BM901-902-903-904-905) 95→06 |
| 30139-G | MAZDA | 6 |
| 30140-G | CHEVROLET CHEVROLET CHEVROLET CHEVROLET CHEVROLET OPEL OPEL OPEL OPEL | AVEO CRUZE ORLANDO SONIC TRAX AMPERA ASTRA (J SERIES) MOKKA ZAFIRA |
| 30141-G | VOLKSWAGEN | TRANSPORTER (IV SERIES) 07-90→04-03 |
| 30142-G | CHEVROLET CHEVROLET CHEVROLET CHEVROLET DAEWOO DAEWOO DAEWOO | AVEO KALOS LACETTI NUBIRA KALOS LACETTI NUBIRA |
| 30143-G | NISSAN - DATSUN NISSAN - DATSUN | ALMERA PRIMERA |
| 30144-G | NISSAN - DATSUN NISSAN - DATSUN SUBARU SUBARU SUBARU SUBARU | NV200 PATHFINDER FORESTER IMPREZA LEGACY (IV SERIES) 09-03→08-09 LEGACY (V SERIES) 09-09→ |
| 30145-G | HYUNDAI HYUNDAI HYUNDAI KIA | ix35 ix55 VELOSTER SPORTAGE |
| 30146-G | KIA KIA KIA | CARENS CLARUS RIO |
| 30147-G | MAZDA MAZDA MAZDA MAZDA MAZDA MITSUBISHI MITSUBISHI | CX-7 CX-9 E1 - E2 (VAN - WAGON - PICK-UP) E2 - E3 - T (TRUCKS) MPV GRANDIS MONTERO |
| 30148-G | AUDI AUDI AUDI BMW BMW BMW BMW BMW BMW MERCEDES | A6 (C7 SERIES) 11→ A8 (4H SERIES) 10→ Q5 5 GRAN TURISMO (F07) 10-09→ 5 SERIES (F10 - F11 - F18) 03-10→ 7 SERIES (F01 - F02 - F03 - F04) 10-08→ X5 (E70) 02-07→ X6 (E71 - E72) GL-CLASS (X164) 9-06→ |
| 30149-G | HYUNDAI HYUNDAI HYUNDAI HYUNDAI KIA | GRANDEUR MATRIX SANTA FÉ XG JOICE |



REPAIR KITS & THEIR APPLICATIONS



| | | |
|----------------|--|--|
| 30149-G | KIA KIA KIA | MAGENTIS OPIRUS SPORTAGE |
| 30150-G | LEXUS TOYOTA | ES CAMRY |
| 30151-G | HYUNDAI KIA | i30 CEE'D |
| 30152-G | AUDI CITROËN CITROËN LAND ROVER LAND ROVER SKODA VOLKSWAGEN | A3 (8V SERIES) 04-12→ C4 DS4 RANGE ROVER RANGE ROVER SPORT OCTAVIA GOLF (VII SERIES) 11-12→ |
| 30153-G | NISSAN - DATSUN NISSAN - DATSUN | QASHQAI X-TRAIL |
| 30154-G | CHEVROLET CHEVROLET | EPICA EVANDA |
| 30155-G | AUDI RENAULT RENAULT RENAULT RENAULT RENAULT | 80 (B4 SERIES) 91→95 CLIO ESPACE LAGUNA MEGANE SAFRANE SCENIC |
| 30156-G | MAZDA | 6 |
| 30157-G | HONDA HONDA | CIVIC (IX SERIES) CIVIC (VIII SERIES) |
| 30158-G | LEXUS | IS |
| 30159-G | LEXUS LEXUS TOYOTA TOYOTA | ES RX AVALON CAMRY |
| 30160-G | TOYOTA TOYOTA | AVENSIS HIGHLANDER |
| 30161-G | HONDA HONDA HONDA HONDA | ACCORD (II SERIES) 09-83→10-85 CIVIC (III SERIES) CRX PRELUDE |
| 30162-G | NISSAN - DATSUN NISSAN - DATSUN NISSAN - DATSUN NISSAN - DATSUN NISSAN - DATSUN | KING CAB LEAF MURANO NAVARA PATHFINDER |
| 30163-G | NISSAN - DATSUN | QASHQAI |
| 30164-G | LEXUS LEXUS LEXUS MAZDA TOYOTA TOYOTA TOYOTA TOYOTA TOYOTA TOYOTA TOYOTA TOYOTA | CT200H ES HS 6 AURIS CAMRY COROLLA (E14 SERIES) 09-06→ COROLLA (E15 SERIES) 11-06→ COROLLA (E18 SERIES) 10-12→ IQ PRIUS RAV-4 |

| | | |
|----------------|--|--|
| | TOYOTA TOYOTA | VERSO YARIS |
| 30165-G | LEXUS LEXUS TOYOTA TOYOTA TOYOTA TOYOTA | ES RX AVENSIS CAMRY CORONA SOLANA |
| 30166-G | NISSAN - DATSUN NISSAN - DATSUN | CABSTAR - ATLAS PATROL |
| 30167-G | INFINITI NISSAN - DATSUN | G PATROL |

MANUFACTURAS WRAKYNSON

www.wrakynson.com

Page 590 of 822



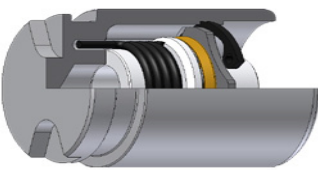
| | | |
|----------------------------|------|--------|
| K-303801 | | |
| D=30 | d=24 | H=38,5 |
| Rear Piston Ø30 Bosch Type | | |
| CITROEN, PEUGEOT, RENAULT | | |



| | | |
|------------------------------|------|------|
| K-304001 | | |
| D=30 | d=26 | H=40 |
| Rear Piston Ø30 Akebono Type | | |
| DAIHATSU CHARADE, MAZDA MX-3 | | |



| | | |
|--------------------------------|------|--------|
| K-304002 | | |
| D=30,2 | d=27 | H=40,5 |
| Rear Piston Ø30 Nih Type | | |
| HONDA ACCORD, INTEGRA, PRELUDE | | |



| | | |
|------------------------------|--------|--------|
| K-304101 | | |
| D=30 | d=26,3 | H=41,6 |
| Rear Piston Ø30 Akebono Type | | |
| MAZDA 323, 626; FORD PROBE | | |



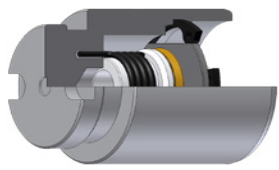
| | | |
|------------------------------|--------|------|
| K-304102 | | |
| D=30 | d=24,5 | H=41 |
| Rear Piston Ø30 Akebono Type | | |
| NISSAN | | |



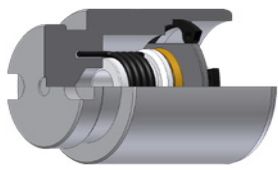
| | | |
|---|------|--------|
| K-304301 | | |
| D=30 | d=27 | H=43,8 |
| Rear Piston Ø30 Lucas/Nissin Type | | |
| HONDA CIVIC , CONCERTO, CRX; ROVER 25,45,STREET, 200-400 SERIES | | |



| | | |
|-------------------------------|--------|--------|
| K-304501 | | |
| D=30 | d=25,8 | H=45,5 |
| Rear Piston Ø30 Nabco Type | | |
| DAIHATSU, FORD, MAZDA, SUZUKI | | |



| | | |
|------------------------------|------|------|
| K-304502 | | |
| D=30 | d=26 | H=45 |
| Rear Piston Ø30 Akebono Type | | |
| NISSAN PULSAR, SUNNY, 100NX | | |



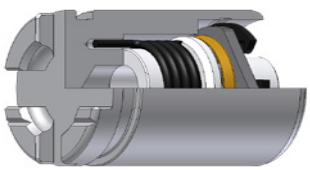
| | | |
|--|------|------|
| K-304503 | | |
| D=30 | d=26 | H=45 |
| Rear Piston Ø30 Akebono Type | | |
| MITSUBISHI COLT, ECLIPSE, GALANT, LANCER; TOYOTA COROLLA | | |



| | | |
|-----------------------------|--------|------|
| K-304504 | | |
| D=30 | d=25,5 | H=45 |
| Rear Piston Ø30 Tokico Type | | |
| SUZUKI SWIFT | | |



| | | |
|-----------------------------------|------|--------|
| K-304601 | | |
| D=30 | d=26 | H=46,7 |
| Rear Piston Ø30 Nissin/Lucas Type | | |
| NISSAN ALMERA, MICRA | | |



| | | |
|------------------------------------|------|--------|
| K-323801 | | |
| D=32 | d=24 | H=38,5 |
| Rear Piston Ø32 Citroen Bosch Type | | |
| CITROEN XSARA, ZX; PEUGEOT 306 | | |



| | | |
|-------------------------------|--------|--------|
| K-324501 | | |
| D=32 | d=25,7 | H=45,5 |
| Rear Piston Ø32 Nishinbo type | | |
| MAZDA MX5 | | |



| | | |
|-----------------------------------|--------|--------|
| K-334401 | | |
| D=33 | d=25,8 | H=44,1 |
| Rear Piston Ø33 Ate Type | | |
| SAAB 900, 9000; VOLVO 440-460-480 | | |



| | | |
|--|------|--------|
| K-334601 | | |
| D=34 | d=29 | H=46,8 |
| Rear Piston Ø33 Lucas Type | | |
| ALFA,VAG GROUP,FIAT,GM GROUP, HYUNDAI,KIA,LANCIA,MAZDA,MITSUBISHI | | |



| | | |
|---------------------------|--------|------|
| K-344101 | | |
| D=34 | d=29,4 | H=41 |
| Rear Piston Ø34 Kpw Type | | |
| KIA CARENS, SHEPIA, SHUMA | | |



| | | |
|----------------------------|------|--------|
| K-344201 | | |
| D=34 | d=30 | H=42,8 |
| Rear Piston Ø34 Kasco Type | | |
| KIA PICANTO | | |



| | | |
|-----------------------------|------|------|
| K-344401 | | |
| D=34 | d=28 | H=44 |
| Rear Piston Ø34 Nissin Type | | |
| HONDA PRELUDE | | |



| | | |
|----------------------------|------|------|
| K-344603 | | |
| D=34 | d=30 | H=46 |
| Rear Piston Ø34 Akeb. Type | | |
| HONDA ACCORD VII SERIES | | |



| | | |
|----------------------------|------|------|
| K-344701 | | |
| D=34 | d=31 | H=47 |
| Rear Piston Ø34 Bosch Type | | |
| OPEL ASTRA, ZAFIRA | | |



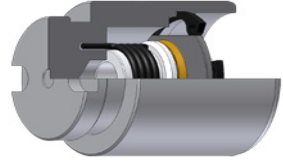
| | | |
|---|------|--------|
| K-344702 | | |
| D=34 | d=28 | H=47,2 |
| Rear Piston Ø34 Lucas/Nih Type | | |
| HONDA ACCORD, CIVIC, PRELUDE; ROVER 600 SERIES; SUZUKI SX4 | | |



| | | |
|--|------|------|
| K-344801 | | |
| D=34 | d=29 | H=48 |
| Rear Piston Ø34 TRW Type | | |
| HYUNDAI, KIA, MITSUBISHI, NISSAN, SMART | | |



| | | |
|--------------------------|------|--------|
| K-345001 | | |
| D=34 | d=29 | H=49,7 |
| Rear Piston Ø34 Ate Type | | |
| MINI MINI, TOYOTA YARIS | | |



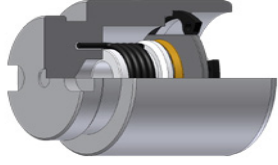
| | | |
|------------------------------|------|--------|
| K-353901 | | |
| D=35 | d=28 | H=39,5 |
| Rear Piston Ø30 Akebono Type | | |
| MAZDA 323, 626, 929, RX7 | | |



| | | |
|------------------------------|--------|------|
| K-354001 | | |
| D=35 | d=29,5 | H=40 |
| Rear Piston Ø35 Akebono Type | | |
| MAZDA 323, 626, PREMACY, RX7 | | |



| | | |
|------------------------------|------|------|
| K-354501 | | |
| D=35 | d=30 | H=45 |
| Rear Piston Ø35 Akebono Type | | |
| MAZDA 6, TOYOTA COROLLA | | |



| | | |
|---|------|------|
| K-354503 | | |
| D=35 | d=29 | H=45 |
| Rear Piston Ø35 Akebono Type | | |
| MITSUBISHI CARISMA, COLT, ECLIPSE, GALANT, LANCER | | |



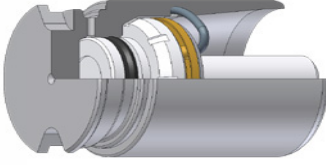
| | | |
|----------------------------|--------|--------|
| K-354505 | | |
| D=35 | d=25,8 | H=45,5 |
| Rear Piston Ø35 Nabco Type | | |
| MAZDA MX5 | | |



| | | |
|---------------------------|------|------|
| K-364701 | | |
| D=36 | d=32 | H=47 |
| Rear Piston Ø36 BoschType | | |
| OPEL ASTRA, ZAFIRA | | |



| | | |
|---------------------------------------|------|------|
| K-364805 | | |
| D=36 | d=31 | H=48 |
| Rear Piston Ø36 TRW Type | | |
| MINI MINI; OPEL ASTRA, MERIVA, ZAFIRA | | |



RIGHT THREAD

| | | |
|---|--------|------|
| K-364901-R | | |
| D=36 | d=31,5 | H=49 |
| Rear Piston Ø36 BoschType | | |
| FIAT PUNTO; OPEL CORSA; TOYOTA AURIS, COROLLA | | |



LEFT THREAD

| | | |
|---|--------|------|
| K-364901-L | | |
| D=36 | d=31,5 | H=49 |
| Rear Piston Ø36 BoschType | | |
| FIAT PUNTO; OPEL CORSA; TOYOTA AURIS, COROLLA | | |



| | | |
|--------------------------|------|------|
| K-365001 | | |
| D=36 | d=29 | H=50 |
| Rear Piston Ø36 Ate Type | | |
| FORD TOURNEO, TRANSIT | | |



| | | |
|--|------|--------|
| K-365101-L | | |
| D=36 | d=26 | H=50,9 |
| Rear Piston Ø36 Brembo Type | | |
| RENAULT ESPACE, LAGUNA, NEVADA, R21, SAFRANE | | |



| | | |
|--|------|--------|
| K-365101-R | | |
| D=36 | d=26 | H=50,9 |
| Rear Piston Ø36 Brembo Type | | |
| RENAULT ESPACE, LAGUNA, NEVADA, R21, SAFRANE | | |



| | | |
|--|------|--------|
| K-383001 | | |
| D=38 | d=26 | H=30,5 |
| Rear Piston Ø38 Ate Type | | |
| ALFA ROMEO ALFETTA, GIULETTA, GTV, SPIDER, 75, 90; PORSCHE 914 | | |



| | | |
|----------------------------|--------|------|
| K-384102 | | |
| D=38 | d=29,5 | H=41 |
| Rear Piston Ø38 Kasko Type | | |
| KIA CARENS | | |




| | | |
|--|------|--------|
| K-384601 | | |
| D=38 | d=33 | H=46,8 |
| Rear Piston Ø38 Lucas Type | | |
| HONDA, HYUNDAI, LEXUS, NISSAN, ROVER, SUBARU, TOYOTA | | |



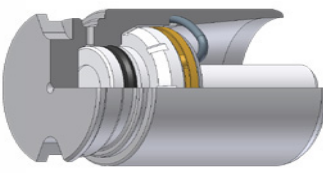
| | | |
|---------------------------------|------|--------|
| K-384701 | | |
| D=38 | d=33 | H=47,2 |
| Rear Piston Ø38 NIH Type | | |
| HONDA ACCORD, LEGEND; MAZDA MX5 | | |



| | | |
|--|------|------|
| K-384702 | | |
| D=38 | d=34 | H=47 |
| Rear Piston Ø38 Bosch Type | | |
| FIAT BRAVO, BRAVA, MULTIPLA, STILO; OPEL ASTRA, ZAFIRA | | |

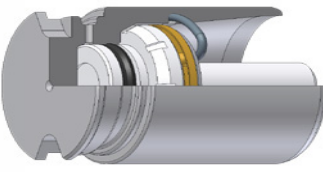


| | | |
|------------------------------------|------|------|
| K-384805 | | |
| D=38 | d=29 | H=48 |
| Rear Piston Ø38 Ate Type | | |
| CHEVROLET CRUZE; OPEL ASTRA, MOKKA | | |



LEFT THREAD

| | | |
|---|--------|------|
| K-384901-L | | |
| D=38 | d=32,2 | H=49 |
| Rear Piston Ø38 Bosch Type | | |
| ALFA, AUDI, CITROËN, FIAT, FORD, JAGUAR, PEUGEOT, SEAT, SKODA, VW | | |

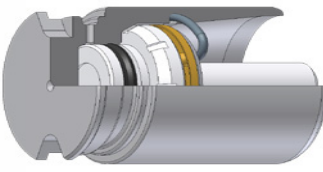


RIGHT THREAD

| | | |
|---|--------|------|
| K-384901-R | | |
| D=38 | d=32,2 | H=49 |
| Rear Piston Ø38 Bosch Type | | |
| ALFA, AUDI, CITROËN, FIAT, FORD, JAGUAR, PEUGEOT, SEAT, SKODA, VW | | |

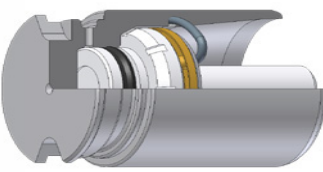


| | | |
|---|------|--------|
| K-384902 | | |
| D=38 | d=29 | H=49,7 |
| Rear Piston Ø38 Teves Type | | |
| CITROËN, FORD, HONDA, MAZDA, NISSAN, OPEL, RENAULT, SAAB, VOLVO | | |



LEFT THREAD

| | | |
|--|--------|---------|
| K-385002-L | | |
| D=38 | d=33,4 | H=50,35 |
| Rear Piston Ø38 Bosch Type | | |
| CITROËN C4 PICASSO, C4 GRAND PICASSO; TOYOTA AVENSIS | | |



RIGHT THREAD

| | | |
|--|--------|---------|
| K-385002-R | | |
| D=38 | d=33,4 | H=50,35 |
| Rear Piston Ø38 Bosch Type | | |
| CITROËN C4 PICASSO, C4 GRAND PICASSO; TOYOTA AVENSIS | | |



| | | |
|--|------|------|
| K-385101 | | |
| D=38 | d=33 | H=51 |
| Rear Piston Ø38 Lucas Type | | |
| ALFA, VAG, PSA, GM, FIAT, HONDA, MITSUBISHI, LANCIA, NISSAN, VOLVO | | |



RIGHT THREAD

| | | |
|-----------------------------|------|------|
| K-385102-R | | |
| D=38 | d=33 | H=51 |
| Rear Piston Ø38 Bosch Type | | |
| FORD MONDEO, RENAULT KANGOO | | |



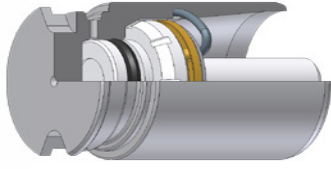
LEFT THREAD

K-385102-L

| | | |
|------|------|------|
| D=38 | d=33 | H=51 |
|------|------|------|

Rear Piston Ø38 Bosch Type

FORD MONDEO, RENAULT KANGOO



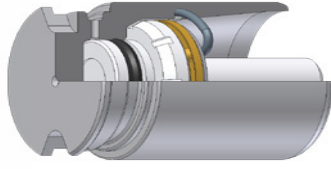
LEFT THREAD

K-385103-L

| | | |
|------|------|------|
| D=38 | d=33 | H=51 |
|------|------|------|

Rear Piston Ø38 Bosch Type

RENAULT KANGOO



RIGHT THREAD

K-385103-R

| | | |
|------|------|------|
| D=38 | d=33 | H=51 |
|------|------|------|

Rear Piston Ø38 Bosch Type

RENAULT KANGOO




K-404701

| | | |
|--------|--------|------|
| D=40,4 | d=24,5 | H=47 |
|--------|--------|------|

Rear Piston Ø40 Nissin Type

HONDA S2000



K-404803

| | | |
|------|------|------|
| D=40 | d=29 | H=48 |
|------|------|------|

Rear Piston Ø40 Ate Type

CHEVROLET CRUZE, ORLANDO; OPEL ASTRA



K-404905

| | | |
|------|------|--------|
| D=40 | d=29 | H=49,7 |
|------|------|--------|

Rear Piston Ø40 Ate Type

OPEL GT, SIGNUM, VECTRA



K-414301

| | | |
|------|------|------|
| D=41 | d=26 | H=44 |
|------|------|------|

Rear Piston Ø41 NBK Type

ISUZU TROOPER



K-414601

| | | |
|--------|------|--------|
| D=41,2 | d=35 | H=46,5 |
|--------|------|--------|

Rear Piston Ø41 Akeb. Type

TOYOTA MR2



K-415101

| | | |
|------|------|------|
| D=41 | d=35 | H=51 |
|------|------|------|

Rear Piston Ø41 Lucas Type

ALFA, AUDI, CITROËN, FIAT, NISSAN, OPEL, RENAULT, SEAT, SKODA, VW



K-424601

| | | |
|------|--------|--------|
| D=43 | d=34,4 | H=46,8 |
|------|--------|--------|

Rear Piston Ø 42.8 Lucas Type

FORD, MAZDA, NISSAN

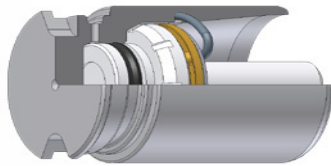


K-425102

| | | |
|------|--------|--------|
| D=43 | d=34,4 | H=51,3 |
|------|--------|--------|

Rear Piston Ø42.8 Lucas type

AUDI, CHRYSLER, JAGUAR, VW



RIGHT THREAD

K-425103-R

| | | |
|------|--------|------|
| D=42 | d=36,5 | H=51 |
|------|--------|------|

Rear Piston Ø42 Bosch Type

NISSAN INTERSTAR; OPEL MOVANO; RENAULT MASTER



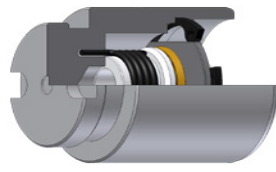
LEFT THREAD

K-425103-L

| | | |
|------|--------|------|
| D=42 | d=36,5 | H=51 |
|------|--------|------|

Rear Piston Ø42 Bosch Type

NISSAN INTERSTAR; OPEL MOVANO;
RENAULT MASTER

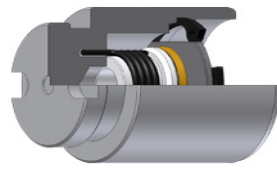


K-434602

| | | |
|------|------|------|
| D=43 | d=35 | H=46 |
|------|------|------|

Rear Piston Ø43 Akeb Type

TOYOTA MR2



K-444602

| | | |
|--------|------|------|
| D=44,3 | d=35 | H=46 |
|--------|------|------|

Rear Piston Ø44 Akeb. Type

TOYOTA MR2



K-454901

| | | |
|------|------|--------|
| D=45 | d=29 | H=49,7 |
|------|------|--------|

Rear Piston Ø45 Ate Type

JAGUAR XJ, XJS, XF, XK SERIES



K-466601-L

| | | |
|------|------|------|
| D=46 | d=26 | H=66 |
|------|------|------|

Rear Piston Ø46 Brembo Type

NISSAN CABSTAR/ATLAS

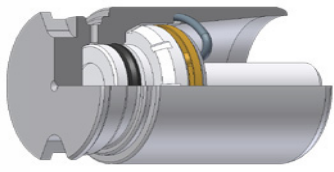


K-466601-R

| | | |
|------|------|------|
| D=46 | d=26 | H=66 |
|------|------|------|

Rear Piston Ø46 Brembo Type

NISSAN CABSTAR/ATLAS



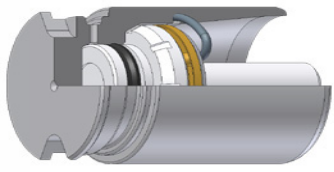
LEFT THREAD

K-485205-L

| | | |
|------|------|------|
| D=48 | d=38 | H=52 |
|------|------|------|

Rear Piston Ø48 Bosch Type

FORD TRANSIT



RIGHT THREAD

K-485205-R

| | | |
|------|------|------|
| D=48 | d=38 | H=52 |
|------|------|------|

Rear Piston Ø48 Bosch Type

FORD TRANSIT



K-526501-L

| | | |
|------|------|------|
| D=52 | d=26 | H=65 |
|------|------|------|

Rear Piston Ø52 Brembo Type

IVECO DAILY

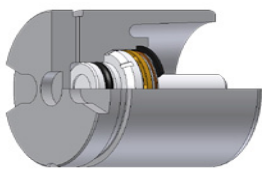


K-526501-R

| | | |
|------|------|------|
| D=52 | d=26 | H=65 |
|------|------|------|

Rear Piston Ø52 Brembo Type

IVECO DAILY



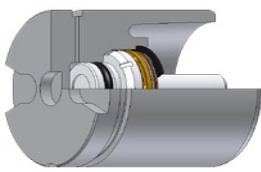
RIGHT THREAD

K-545203-R

| | | |
|------|------|--------|
| D=54 | d=46 | H=52,7 |
|------|------|--------|

Front Piston Ø54 Bosch Type

CITROËN C5



LEFT THREAD

K-545203-L

| | | |
|------|------|--------|
| D=54 | d=46 | H=52,7 |
|------|------|--------|

Front Piston Ø54 Bosch Type

CITROËN C5

| | | |
|------------------------------|------|------|
| K-545402 | | |
| D=54 | d=32 | H=54 |
| Front Piston Ø54 Bendix type | | |
| CITROËN XANTIA | | |

| | | |
|------------------------------|------|--------|
| K-575104 | | |
| D=57 | d=32 | H=51,6 |
| Front Piston Ø57 Bendix Type | | |
| CITROEN XANTIA, XM | | |

LEFT THREAD

| | | |
|-----------------------------|------|--------|
| K-575201-L | | |
| D=57 | d=49 | H=52,7 |
| Front Piston Ø57 Bosch Type | | |
| CITROËN C5 | | |

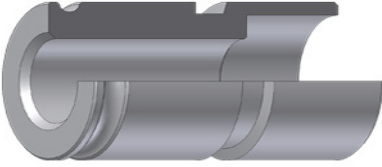
RIGHT THREAD

| | | |
|-----------------------------|------|--------|
| K-575201-R | | |
| D=57 | d=49 | H=52,7 |
| Front Piston Ø57 Bosch Type | | |
| CITROËN C5 | | |


| | | |
|------------------------------|------|--------|
| K-605104 | | |
| D=60 | d=34 | H=51,2 |
| Front Piston Ø60 Bendix Type | | |
| CITROËN XANTIA | | |

| | | |
|-----------------------------|------|------|
| K-606501-R | | |
| D=60 | d=26 | H=65 |
| Rear Piston Ø60 Brembo Type | | |
| IVECO DAILY IV SERIES | | |


| | | |
|-----------------------------|------|------|
| K-606501-L | | |
| D=60 | d=26 | H=65 |
| Rear Piston Ø60 Brembo Type | | |
| IVECO DAILY IV SERIES | | |




| | | |
|-----------------------------|--------|--------|
| P-234101 | | |
| D=23,4 | d=19,5 | H=41,3 |
| Guide Piston Ø23 Delco Type | | |
| DAEWOO - OPEL | | |




| | | |
|------------------------------------|--------|------|
| P-282901 | | |
| D=28 | d=13,5 | H=29 |
| Rear Piston Ø28 Brembo (Aluminium) | | |
| JAGUAR XJ 8 4.2 | | |



| | | |
|-------------------------------------|--------|------|
| P-283001 | | |
| D=28 | d=13,5 | H=30 |
| Front - Rear Ø28 Brembo (Aluminium) | | |
| BMW SERIE1 - VOLVO S60 - V70 | | |



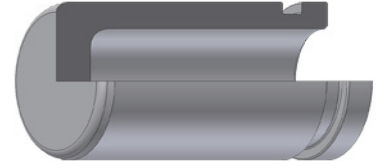
| | | |
|------------------------------------|--------|--------|
| P-283101 | | |
| D=28 | d=13,5 | H=31,5 |
| Rear Piston Ø28 Brembo (Aluminium) | | |
| AUDI Q7 | | |



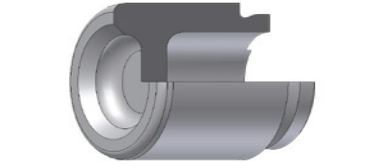
| | | |
|------------------------------------|------|------|
| P-283201 | | |
| D=28 | d=21 | H=32 |
| Rear Piston Ø28 Brembo (Aluminium) | | |
| PORSCHE 928 - 944 | | |



| | | |
|------------------------------------|--------|------|
| P-283202 | | |
| D=28 | d=13,5 | H=32 |
| Rear Piston Ø28 Brembo (Aluminium) | | |
| AUDI Q7 - PORSCHE 944 - VW TOUAREG | | |




| | | |
|----------------------------|--------|--------|
| P-284701 | | |
| D=28 | d=18,5 | H=47,5 |
| Rear Piston Ø28 Lucas Type | | |
| MERCEDES A-CLASS | | |




| | | |
|--------------------------|--------|--------|
| P-302801 | | |
| D=30 | d=19,5 | H=28,8 |
| Rear Piston Ø30 Ate Type | | |
| SAAB 90 - 99 - 900 | | |




| | | |
|------------------------------------|--------|------|
| P-302901 | | |
| D=30 | d=15,5 | H=29 |
| Rear Piston Ø30 Brembo (Aluminium) | | |
| JAGUAR XJ 8 4.2 | | |



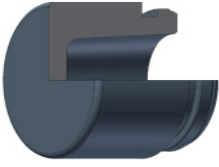
| | | |
|-------------------------------------|--------|------|
| P-303001 | | |
| D=30 | d=13,5 | H=30 |
| Front - Rear Ø30 Brembo (Aluminium) | | |
| BMW SERIE 1 - VOLVO S60 - V70 | | |



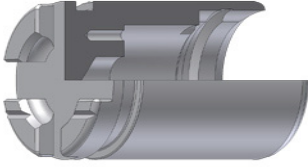
| | | |
|-------------------------------------|--------|--------|
| P-303101 | | |
| D=30 | d=13,5 | H=31,5 |
| Front Piston Ø30 Brembo (Aluminium) | | |
| AUDI Q7 - VW TOUAREG | | |



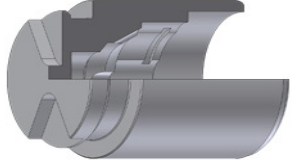
| | | |
|------------------------------------|------|------|
| P-303201 | | |
| D=30 | d=22 | H=32 |
| Rear Piston Ø30 Brembo (Aluminium) | | |
| PORSCHE 928 - 944 | | |



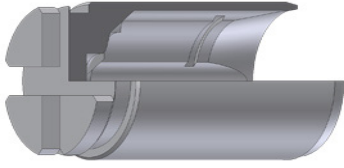
| | | |
|------------------------------------|--------|------|
| P-303202 | | |
| D=30 | d=15,5 | H=32 |
| Rear Piston Ø30 Brembo (Aluminium) | | |
| AUDI Q7 - PORSCHE 944 - VW TOUAREG | | |



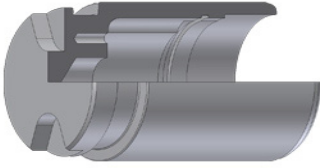
| | | |
|----------------------------|------|--------|
| P-303801 | | |
| D=30 | d=24 | H=38,5 |
| Rear Piston Ø30 Bosch Type | | |
| CITROEN - PEUGEOT- RENAULT | | |



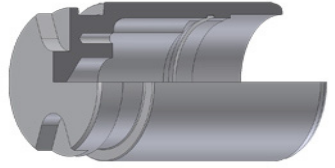
| | | |
|-------------------------------|------|------|
| P-304001 | | |
| D=30 | d=26 | H=40 |
| Rear Piston Ø30 Akebono Type | | |
| DAIHATSU CHARADE - MAZDA MX-3 | | |



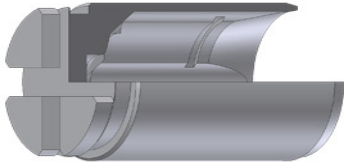
| | | |
|----------------------------------|------|--------|
| P-304002 | | |
| D=30 | d=27 | H=40,5 |
| Rear Piston Ø30 Nih Type | | |
| HONDA ACCORD - INTEGRA - PRELUDE | | |



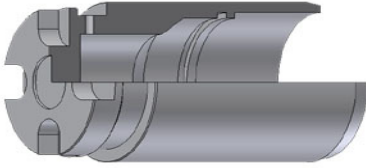
| | | |
|------------------------------|--------|--------|
| P-304101 | | |
| D=30 | d=26,3 | H=41,6 |
| Rear Piston Ø30 Akebono Type | | |
| MAZDA 323 - 626 - FORD PROBE | | |



| | | |
|--|--------|------|
| P-304102 | | |
| D=30 | d=24,5 | H=41 |
| Rear Piston Ø30 Akebono Type | | |
| NISSAN SENTRA (USA) - SUNNY - PULSAR - 100NX | | |



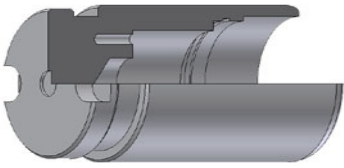
| | | |
|--|------|--------|
| P-304301 | | |
| D=30 | d=27 | H=43,8 |
| Rear Piston Ø30 Lucas -Nissin Type | | |
| HONDA CIVIC - CONCERTO - CRX - ROVER 25 - 45 - STREET - 200-400 SERIES | | |



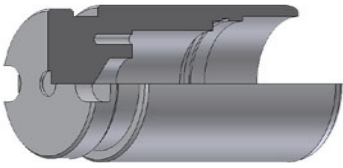
| | | |
|------------------------------------|--------|--------|
| P-304401 | | |
| D=30 | d=25,5 | H=44,7 |
| Rear Piston Ø30 Tokico - Girl Type | | |
| HONDA - FIAT | | |



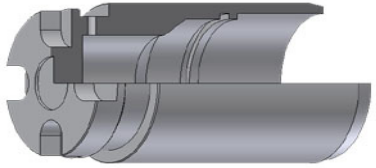
| | | |
|----------------------------------|--------|--------|
| P-304501 | | |
| D=30 | d=25,8 | H=45,5 |
| Rear Piston Ø30 Nabco Type | | |
| DAIHATSU - FORD - MAZDA - SUZUKI | | |



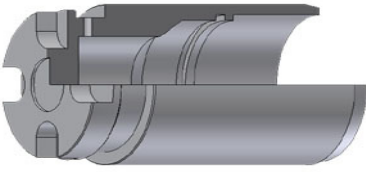
| | | |
|-------------------------------|------|------|
| P-304502 | | |
| D=30 | d=26 | H=45 |
| Rear Piston Ø30 Akebono Type | | |
| NISSAN PULSAR - SUNNY - 100NX | | |



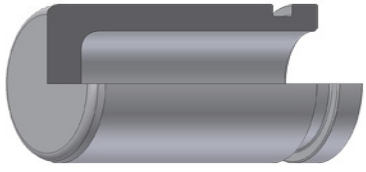
| | | |
|---|------|------|
| P-304503 | | |
| D=30 | d=26 | H=45 |
| Rear Piston Ø30 Akebono Type | | |
| MITSUBISHI COLT - ECLIPSE, GALANT - LANCER - TOYOTA COROLLA | | |



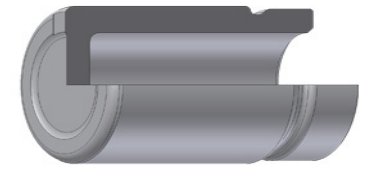
| | | |
|-----------------------------|--------|------|
| P-304504 | | |
| D=30 | d=25,5 | H=45 |
| Rear Piston Ø30 Tokico Type | | |
| SUZUKI SWIFT | | |



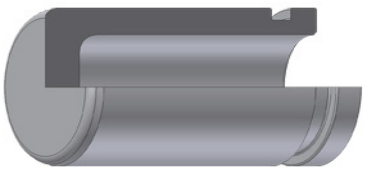
| | | |
|-------------------------------------|------|--------|
| P-304601 | | |
| D=30 | d=26 | H=46,7 |
| Rear Piston Ø30 Nissin - Lucas Type | | |
| NISSAN ALMERA - MICRA | | |



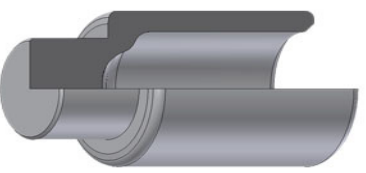
| | | |
|----------------------------|------|--------|
| P-304602 | | |
| D=30 | d=21 | H=46,5 |
| Rear Piston Ø30 Mando Type | | |
| HYUNDAI ELANTRA - i20 | | |



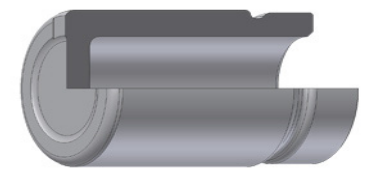
| | | |
|-------------------------------|------|--------|
| P-304701 | | |
| D=30 | d=22 | H=47,5 |
| Rear Piston Ø30 Sumitomo Type | | |
| TOYOTA YARIS | | |




| | | |
|------------------------------------|------|--------|
| P-304702 | | |
| D=30 | d=21 | H=47,5 |
| Rear Piston Ø30 Trw Type | | |
| MERCEDES A-CLASS - B-CLASS - Vaneo | | |




| | | |
|---------------------------|------|------|
| P-305101 | | |
| D=30 | d=22 | H=51 |
| Rear Piston Ø30 Lada Type | | |
| LADA NIVA 2121 | | |



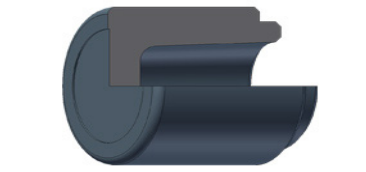
| | | |
|----------------------------|------|--------|
| P-314701 | | |
| D=31 | d=22 | H=47,5 |
| Rear Piston Ø31 Kasko Type | | |
| KIA RIO | | |



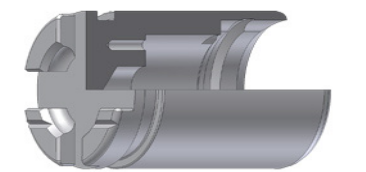
| | | |
|-------------------------------------|--------|------|
| P-323001 | | |
| D=32 | d=13,5 | H=30 |
| Front Piston Ø32 Brembo (Aluminium) | | |
| BMW SERIE 1 | | |



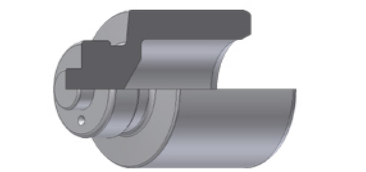
| | | |
|-------------------------------------|--------|--------|
| P-323101 | | |
| D=32 | d=13,5 | H=31,5 |
| Front Piston Ø32 Brembo (Aluminium) | | |
| AUDI S6 - S7 | | |



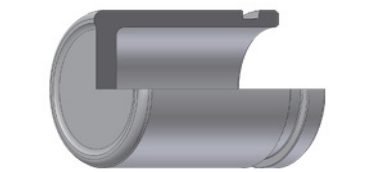
| | | |
|-------------------------------------|--------|--------|
| P-323201 | | |
| D=32 | d=17,5 | H=32,6 |
| Rear Piston Ø32 Citroen (Aluminium) | | |
| CITROEN C5 | | |



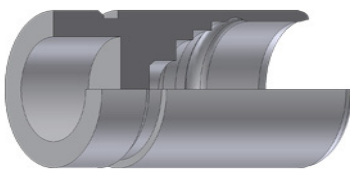
| | | |
|----------------------------------|------|--------|
| P-323801 | | |
| D=32 | d=24 | H=38,5 |
| Rear Piston Ø32 Bosch Type | | |
| CITROEN XSARA - ZX - PEUGEOT 306 | | |



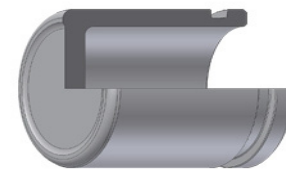
| | | |
|------------------------------|------|--------|
| P-324101 | | |
| D=32 | d=24 | H=41,5 |
| Rear Piston Ø 32 Bendix Type | | |
| RENAULT R5 - R6 - R8 - R10 | | |



| | | |
|--------------------------------|------|------|
| P-324401 | | |
| D=32 | d=20 | H=44 |
| Rear Piston Ø32 Dac Type | | |
| CHEVROLET NUBIRA DAEWOO NUBIRA | | |



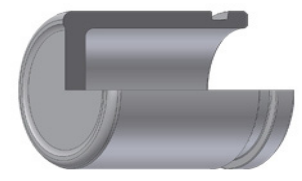
| | | |
|-------------------------------|--------|--------|
| P-324501 | | |
| D=32 | d=25,7 | H=45,5 |
| Rear Piston Ø32 Nishinbo Type | | |
| MAZDA MX5 | | |



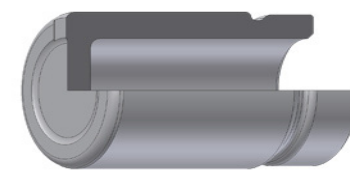
| | | |
|----------------------------|------|------|
| P-324502 | | |
| D=32 | d=22 | H=45 |
| Rear Piston Ø32 Aisin Type | | |
| TOYOTA CAMRY | | |



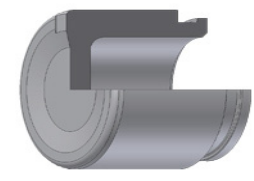
| | | |
|--------------------------|--------|--------|
| P-324503 | | |
| D=32 | d=23,3 | H=45,8 |
| Rear Piston Ø32 Dac Type | | |
| DAEWOO LACETTI - NUBIRA | | |



| | | |
|---------------------------------|------|------|
| P-324504 | | |
| D=32 | d=22 | H=45 |
| Rear Piston Ø32 Akebono Type | | |
| TOYOTA CARINA - CELICA - CORONA | | |



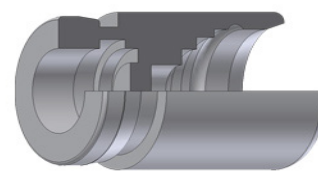
| | | |
|-------------------------------|------|--------|
| P-324701 | | |
| D=32 | d=26 | H=47,5 |
| Rear Piston Ø32 Sumitomo Type | | |
| TOYOTA RAV 4 - YARIS | | |



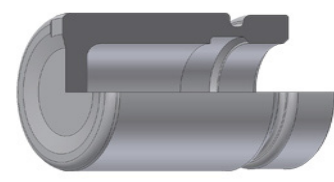
| | | |
|--|--------|--------|
| P-332801 | | |
| D=33 | d=21,5 | H=28,2 |
| Front Piston Ø33 Ate Type | | |
| FORD ESCORT - KIA SEPHIA - OPEL CALIBRA - VECTRA | | |



| | | |
|-------------------------------------|------|--------|
| P-332901 | | |
| D=33 | d=23 | H=29,5 |
| Rear Piston Ø33 Citroen (Aluminium) | | |
| CITROEN XANTIA - XM | | |



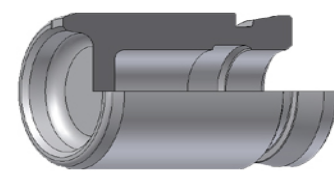
| | | |
|------------------------------------|--------|--------|
| P-334401 | | |
| D=33 | d=25,8 | H=44,1 |
| Rear Piston Ø33 Ate Type | | |
| SAAB 900 - 9000- VOLVO 440-460-480 | | |



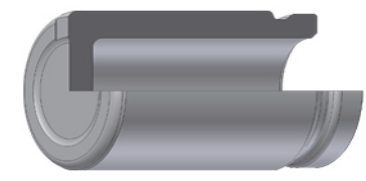
| | | |
|--------------------------|--------|------|
| P-334501 | | |
| D=33 | d=18,5 | H=45 |
| Rear Piston Ø33 Ate Type | | |
| BMW (E21) 323i | | |



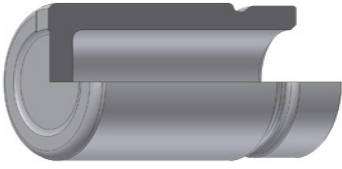
| | | |
|--|------|--------|
| P-334601 | | |
| D=34 | d=29 | H=46,8 |
| Rear Piston Ø33 Lucas Type | | |
| ALFA-VAG GROUP-FIAT-GM GROUP-HYUNDAI-KIA-LANCIA-MAZDA-MITSUBISHI | | |



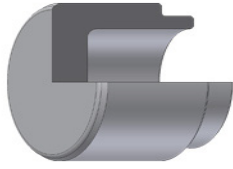
| | | |
|--------------------------|--------|------|
| P-334801 | | |
| D=33 | d=18,5 | H=48 |
| Rear Piston Ø33 Ate Type | | |
| BMW 3 - 5 - 6 - 7 SERIES | | |



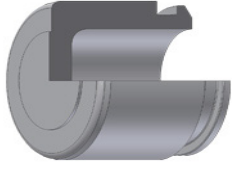
| | | |
|---|------|------|
| P-334901 | | |
| D=33 | d=22 | H=49 |
| Rear Piston Ø33 Ate Type | | |
| MERCEDES V-CLASS - VITO - PEUGEOT 406 - 605 - 607 | | |



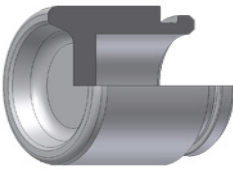
| | | |
|----------------------------|------|--------|
| P-335001 | | |
| D=33 | d=23 | H=50,2 |
| Rear Piston Ø33 Bosch Type | | |
| MERCEDES V-CLASS - VITO | | |



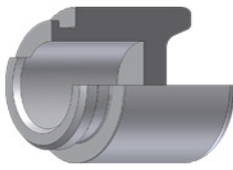
| | | |
|--|------|--------|
| P-342801 | | |
| D=34 | d=23 | H=28,6 |
| Front Piston Ø34 Sumitomo Type | | |
| TOYOTA HILUX - LAND CRUISER - 4-RUNNER | | |




| | | |
|--|------|--------|
| P-342802 | | |
| D=34 | d=22 | H=28,5 |
| Front Piston Ø34 Pal Type | | |
| SKODA S100-130 - RAPID WARTBURG 353 | | |



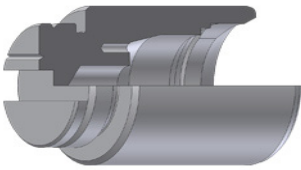
| | | |
|-----------------------------------|------|------|
| P-342901 | | |
| D=34 | d=22 | H=29 |
| Front Piston Ø34 Ate Type | | |
| AUDI 100 - COUPE - BMW 2 - VW K70 | | |



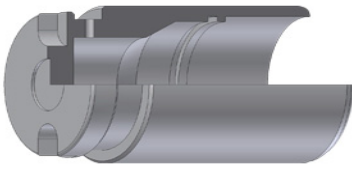
| | | |
|---------------------------|------|------|
| P-343001 | | |
| D=34 | d=19 | H=30 |
| Front Piston Ø34 Ate Type | | |
| VOLVO 740 - 760 - 780 | | |



| | | |
|-------------------------------------|--------|--------|
| P-343101 | | |
| D=34 | d=13,5 | H=31,5 |
| Front Piston Ø34 Brembo (Aluminium) | | |
| AUDI Q7 - VW TOUAREG | | |



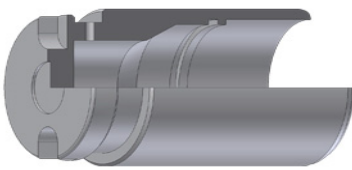
| | | |
|--|--------|------|
| P-344001 | | |
| D=34 | d=26,3 | H=40 |
| Rear Piston Ø34 Bendix Type | | |
| SEAT 124 - FIAT 124 - 125 ARGENTA X 1/9 | | |



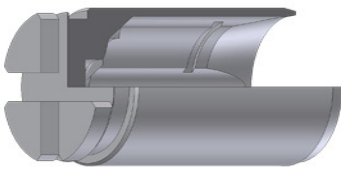
| | | |
|-----------------------------|--------|------|
| P-344101 | | |
| D=34 | d=29,4 | H=41 |
| Rear Piston Ø34 Kpw Type | | |
| KIA CARENS - SHEPIA - SHUMA | | |



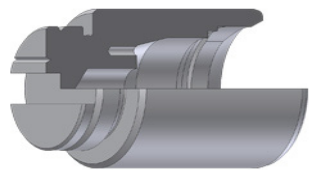
| | | |
|-------------------------|------|------|
| P-344102 | | |
| D=34 | d=27 | H=41 |
| Rear Piston Ø34 KpwType | | |
| KIA CLARUS | | |



| | | |
|----------------------------|------|--------|
| P-344201 | | |
| D=34 | d=30 | H=42,8 |
| Rear Piston Ø34 Kasco Type | | |
| KIA PICANTO | | |




| | | |
|-----------------------------|------|------|
| P-344401 | | |
| D=34 | d=28 | H=44 |
| Rear Piston Ø34 Nissin Type | | |
| HONDA PRELUDE | | |



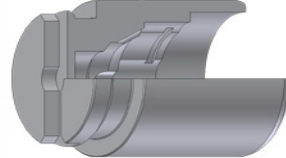
| | | |
|---|------|--------|
| P-344501 | | |
| D=34 | d=26 | H=45,5 |
| Rear Piston Ø34 Bendix Type | | |
| FIAT TEMPRA - LANCIA DEDRA - DELTA - PRISMA | | |



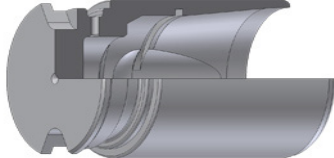
CALIPER PISTONS

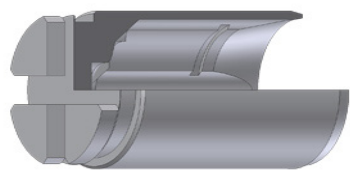
| | | |
|-------------------------------------|------|------|
| P-344602 | | |
| D=34 | d=25 | H=46 |
| Rear Piston Ø34 Man Type | | |
| HYUNDAI - KIA - MITSUBISHI - TOYOTA | | |



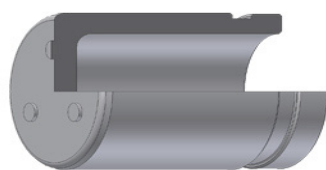
| | | |
|------------------------------|------|------|
| P-344603 | | |
| D=34 | d=30 | H=46 |
| Rear Piston Ø34 Akebono Type | | |
| HONDA ACCORD VII SERIES | | |



| | | |
|----------------------------|------|------|
| P-344701 | | |
| D=34 | d=31 | H=47 |
| Rear Piston Ø34 Bosch Type | | |
| OPEL ASTRA - ZAFIRA | | |



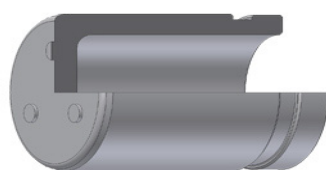
| | | |
|---|------|--------|
| P-344702 | | |
| D=34 | d=28 | H=47,2 |
| Rear Piston Ø34 Lucas/Nih Type | | |
| HONDA ACCORD - CIVIC - PRELUDE ROVER 600 SERIES - SUZUKI SX4 | | |



| | | |
|--------------------------|------|--------|
| P-344703 | | |
| D=34 | d=25 | H=47,5 |
| Rear Piston Ø34 Trw Type | | |
| TOYOTA COROLLA | | |



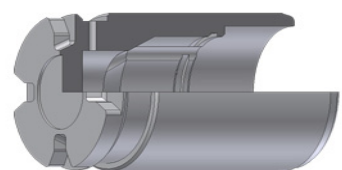
| | | |
|-------------------------------|------|--------|
| P-344704 | | |
| D=34 | d=28 | H=47,5 |
| Rear Piston Ø34 Sumitomo Type | | |
| TOYOTA CELICA | | |



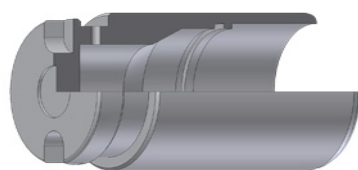
| | | |
|---|------|--------|
| P-344705 | | |
| D=34 | d=25 | H=47,5 |
| Rear Piston Ø34 Kasko Type | | |
| HYUNDAI i30 - ix35 - SONATA - KIA CEE'D | | |



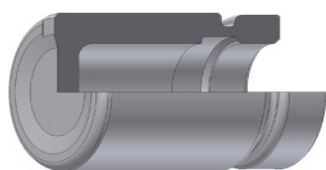
| | | |
|----------------------------|------|--------|
| P-344706 | | |
| D=34 | d=30 | H=47,2 |
| Rear Piston Ø34 Kasko Type | | |
| HYUNDAI ix20 - VELOSTER | | |



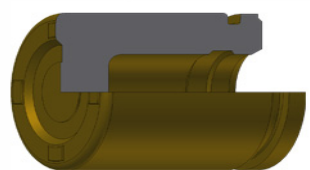
| | | |
|----------------------------|--------|------|
| P-344707 | | |
| D=34 | d=28,5 | H=47 |
| Rear Piston Ø34 Mando Type | | |
| HYUNDAI SOLARIS - KIA RIO | | |



| | | |
|--|------|------|
| P-344801 | | |
| D=34 | d=29 | H=48 |
| Rear Piston Ø34 Trw Type | | |
| HYUNDAI - KIA - MITSUBISHI - NISSAN - SMART | | |

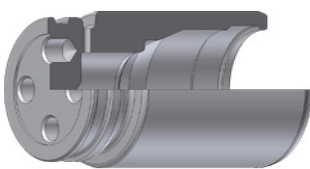


| | | |
|--------------------------|------|------|
| P-344802 | | |
| D=34 | d=20 | H=48 |
| Rear Piston Ø34 Ate Type | | |
| BMW 3 SERIES | | |

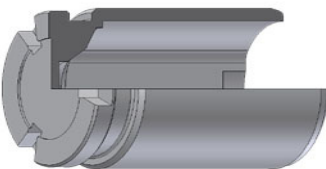


| | | |
|--------------------------------|------|------|
| P-344901 | | |
| D=34 | d=16 | H=49 |
| Rear Piston Ø34 K/H (Phenolic) | | |
| CHRYSLER NEON | | |

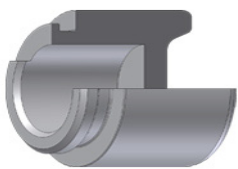
OEM: PHENOLIC WRACKYNSON: STEEL



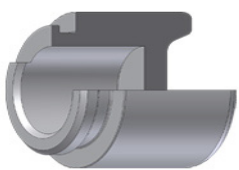
| | | |
|--------------------------|------|--------|
| P-345001 | | |
| D=34 | d=29 | H=49,7 |
| Rear Piston Ø34 Ate Type | | |
| MINI MINI - TOYOTA YARIS | | |



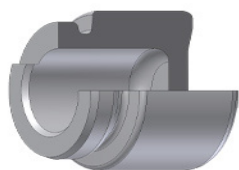
| | | |
|------------------------------------|--------|------|
| P-345201 | | |
| D=34 | d=29,5 | H=52 |
| Rear Piston Ø34 Trw Type | | |
| RANGE ROVER EVOQUE - MERCEDES A180 | | |



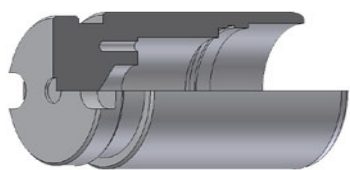
| | | |
|-----------------------------------|------|--------|
| P-352601 | | |
| D=35 | d=23 | H=26,6 |
| Rear Piston Ø35 Ate/Bendix Type | | |
| MERCEDES BENZ 124 - 190 - E-CLASS | | |



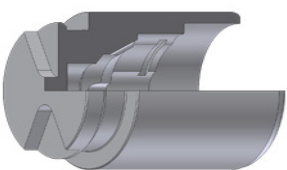
| | | |
|--------------------------|------|--------|
| P-352801 | | |
| D=35 | d=23 | H=28,5 |
| Rear Piston Ø35 Ate Type | | |
| MERCEDES - OPEL - SAAB | | |



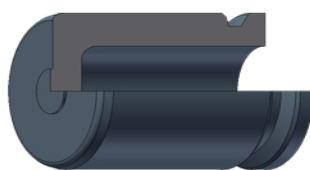
| | | |
|--------------------------|------|--------|
| P-353001 | | |
| D=35 | d=19 | H=30,1 |
| Rear Piston Ø35 Ate Type | | |
| MERCEDES C-CLASS | | |



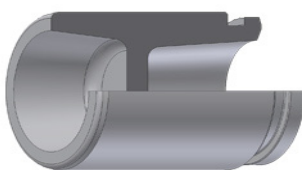
| | | |
|------------------------------|------|--------|
| P-353901 | | |
| D=35 | d=28 | H=39,5 |
| Rear Piston Ø30 Akebono Type | | |
| MAZDA 323 - 626 - 929 - RX7 | | |



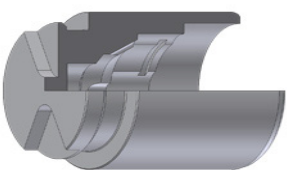
| | | |
|---------------------------------|--------|------|
| P-354001 | | |
| D=35 | d=29,5 | H=40 |
| Rear Piston Ø35 Akebono Type | | |
| MAZDA 323 - 626 - PREMACY - RX7 | | |



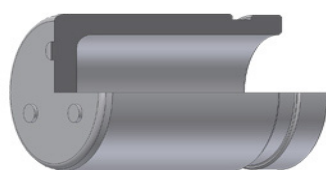
| | | |
|---------------------------------|------|--------|
| P-354402 | | |
| D=35 | d=20 | H=44,5 |
| Rear Piston Ø35 Dac (Aluminium) | | |
| DAEWOO-CHEVROLET LEGANZA | | |



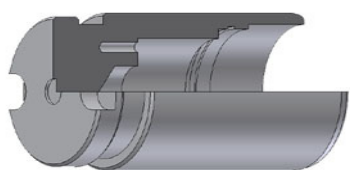
| | | |
|----------------------------|------|------|
| P-354403 | | |
| D=35 | d=26 | H=44 |
| Rear Piston Ø35 Aisin Type | | |
| TOYOTA PRIUS | | |



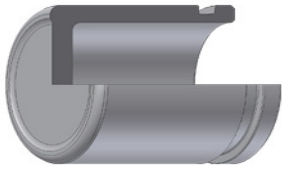
| | | |
|------------------------------|------|------|
| P-354501 | | |
| D=35 | d=30 | H=45 |
| Rear Piston Ø35 Akebono Type | | |
| MAZDA 6 - TOYOTA COROLLA | | |



| | | |
|---------------------------------------|------|--------|
| P-354502 | | |
| D=35 | d=23 | H=45,8 |
| Rear Piston Ø35 Akebono Type | | |
| MITSUBISHI - NISSAN - SUBARU - TOYOTA | | |



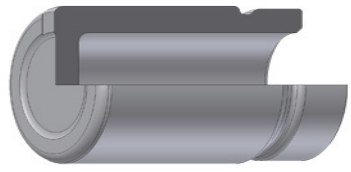
| | | |
|---|------|------|
| P-354503 | | |
| D=35 | d=29 | H=45 |
| Rear Piston Ø35 Akebono Type | | |
| MITSUBISHI CARISMA - COLT - ECLIPSE - GALANT - LANCER | | |



| | | |
|--------------------------------|------|------|
| P-354504 | | |
| D=35 | d=26 | H=45 |
| Rear Piston Ø35 Aisin Type | | |
| TOYOTA CARINA - CAMRY - CELICA | | |



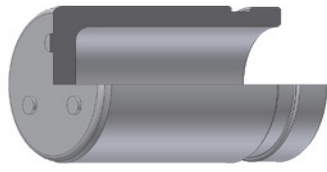
| | | |
|----------------------------|--------|--------|
| P-354505 | | |
| D=35 | d=25,8 | H=45,5 |
| Rear Piston Ø35 Nabco Type | | |
| MAZDA MX5 | | |



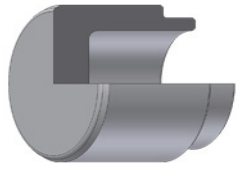
| | | |
|------------------------------|------|------|
| P-354601 | | |
| D=35 | d=25 | H=46 |
| Rear Piston Ø35 Akebono Type | | |
| MAZDA XEDOS - NISSAN 200 SX | | |




| | | |
|--------------------------|--------|------|
| P-354801 | | |
| D=35 | d=18,5 | H=48 |
| Rear Piston Ø35 Ate Type | | |
| BMW 3 SERIES - 5 SERIES | | |



| | | |
|---------------------------------|------|------|
| P-354901 | | |
| D=35 | d=26 | H=49 |
| Rear Piston Ø35 Dac Type | | |
| CHEVROLET EPICA - DAEWOO EVANDA | | |



| | | |
|--------------------------------|------|--------|
| P-362801 | | |
| D=36 | d=25 | H=28,8 |
| Front Piston Ø36 Girling Type | | |
| VOLVO 140-160-240-260 - AMAZON | | |




| | | |
|--------------------------|------|---------|
| P-362802 | | |
| D=36 | d=28 | H=28,25 |
| Front Piston Ø36 AP Type | | |



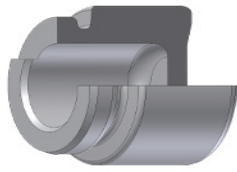
| | | |
|-----------------------------|------|--------|
| P-362901 | | |
| D=36 | d=22 | H=29,2 |
| Front Piston Ø36 Teves Type | | |
| VOLVO 140-160-240-260 | | |



| | | |
|---------------------------------------|--------|--------|
| P-362902 | | |
| D=36 | d=21,5 | H=29,6 |
| Rear Piston Ø36 Teves Type | | |
| MERCEDES C-CLASS - CLK - E-CLASS - SL | | |



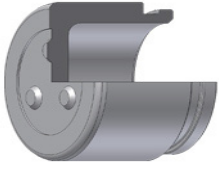
| | | |
|-------------------------------------|--------|--------|
| P-362903 | | |
| D=36 | d=26,6 | H=29,2 |
| Rear Piston Ø36 Citroen (Aluminium) | | |
| CITROEN XANTIA | | |




| | | |
|---|------|--------|
| P-363001 | | |
| D=36 | d=19 | H=30,6 |
| Rear Piston Ø36 Teves Type | | |
| MERCEDES C-CLASS, CLC-CLASS - CLK - E-CLASS - SLK | | |



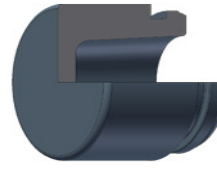
| | | |
|----------------------------|------|------|
| P-363002 | | |
| D=36 | d=25 | H=30 |
| Rear Piston Ø36 Teves Type | | |
| VOLVO 740-760-780 | | |



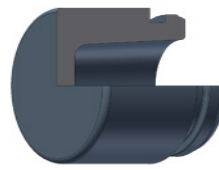
| | | |
|-------------------------------|------|------|
| P-363003 | | |
| D=36 | d=25 | H=30 |
| Fron Piston Ø36 Sumitomo Type | | |
| MAZDA | | |



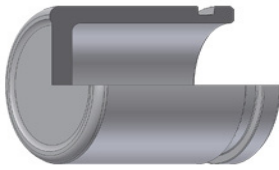
| | | |
|-------------------------------------|--------|------|
| P-363004 | | |
| D=36 | d=13,5 | H=30 |
| Front Piston Ø36 Brembo (Aluminium) | | |
| BMW SERIE1 - VOLKSWAGEN TOUAREG | | |



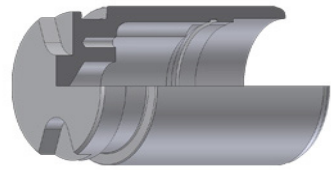
| | | |
|-------------------------------------|--------|------|
| P-363005 | | |
| D=36 | d=20,5 | H=30 |
| Front Piston Ø36 Brembo (Aluminium) | | |
| LAND ROVER RANGE ROVER | | |



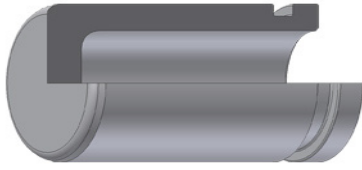
| | | |
|-------------------------------------|--------|--------|
| P-363101 | | |
| D=36 | d=13,5 | H=31,5 |
| Front Piston Ø36 Brembo (Aluminium) | | |
| AUDO Q7 - VW TOUAREG | | |



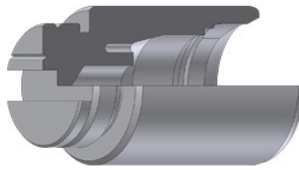
| | | |
|-------------------------------|------|------|
| P-364001 | | |
| D=36 | d=27 | H=40 |
| Front Piston Ø36 Girling Type | | |
| JAGUAR | | |



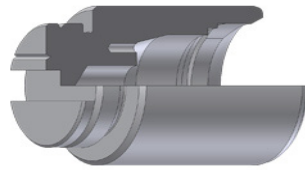
| | | |
|------------------------------|------|------|
| P-364401 | | |
| D=36 | d=30 | H=44 |
| Rear Piston Ø 36 AkebonoType | | |
| TOYOTA MR-2 1600GT | | |



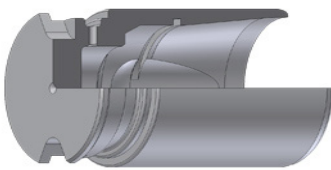
| | | |
|-----------------------------|------|--------|
| P-364501 | | |
| D=36 | d=26 | H=45,8 |
| Front Piston Ø36 Aisin Type | | |
| TOYOTA MR2 | | |



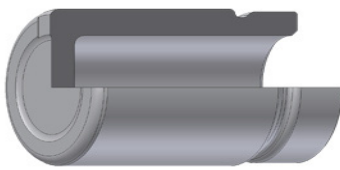
| | | |
|--|------|--------|
| P-364502 | | |
| D=36 | d=26 | H=45,5 |
| Rear Piston Ø36 Bendix Type | | |
| FIAT CROMA - LANCIA BETA - GAMMA - THEMA - TREVI - RENAULT R5-6-12-17 | | |



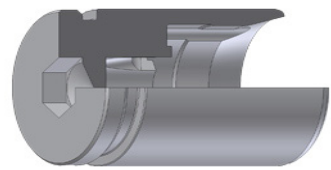
| | | |
|---|------|--------|
| P-364503 | | |
| D=36 | d=26 | H=45,5 |
| Rear Piston Ø36 Bendix Type | | |
| RENAULT ESPACE - FUEGO - NEVADA - RENAULT R18-21-25-30 | | |



| | | |
|----------------------------|------|------|
| P-364701 | | |
| D=36 | d=32 | H=47 |
| Rear Piston Ø36 Lucas Type | | |
| OPEL ASTRA - ZAFIRA | | |



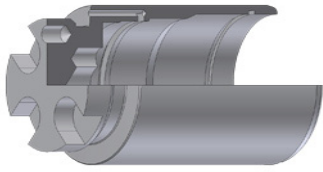
| | | |
|-------------------------------|------|--------|
| P-364702 | | |
| D=36 | d=29 | H=47,5 |
| Rear Piston Ø36 Sumitomo Type | | |
| TOYOTA COROLLA - PRIUS | | |



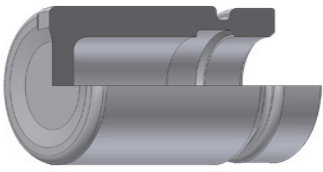
| | | |
|--|------|------|
| P-364801 | | |
| D=36 | d=29 | H=48 |
| Rear Piston Ø36 Lucas Type | | |
| ALFA ROMEO - AUDI - FIAT - LANCIA - VW | | |



CALIPER PISTONS

| | | |
|----------------------------|------|--------|
| P-364802 | | |
| D=36 | d=32 | H=48,5 |
| Rear Piston Ø36 Bosch Type | | |
| FORD COUGAR - MONDEO | | |

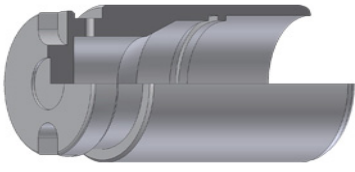


| | | |
|--|------|------|
| P-364803 | | |
| D=36 | d=22 | H=48 |
| Rear Piston Ø36 Ate Type | | |
| BMW - CITROËN - FIAT - JAGUAR - LANCIA - PEUGEOT - ROVER | | |

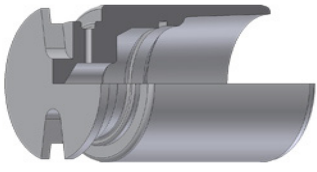


OEM: PHENOLIC WRACKYNSON: STEEL

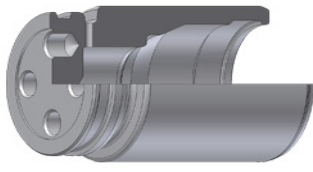
| | | |
|---------------------------------|------|--------|
| P-364804 | | |
| D=36 | d=16 | H=48,5 |
| Rear Piston Ø 36 K/H (Phenolic) | | |
| CHRYSLER PT-CRUISER | | |



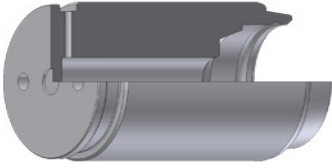
| | | |
|--|------|------|
| P-364805 | | |
| D=36 | d=31 | H=48 |
| Rear Piston Ø36 TRW Type | | |
| MINI MINI - OPEL ASTRA - MERIVA - ZAFIRA | | |



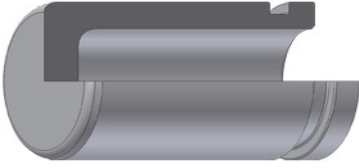
| | | |
|--|--------|------|
| P-364901 | | |
| D=36 | d=31,5 | H=49 |
| Rear Piston Ø36 BoschType | | |
| FIAT PUNTO - OPEL CORSA - TOYOTA AURIS - COROLLA | | |



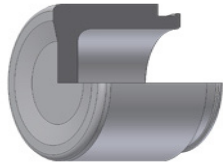
| | | |
|--------------------------|------|------|
| P-365001 | | |
| D=36 | d=29 | H=50 |
| Rear Piston Ø36 Ate Type | | |
| FORD TOURNEO - TRANSIT | | |



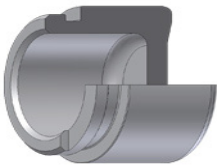
| | | |
|---|------|--------|
| P-365101 | | |
| D=36 | d=26 | H=50,9 |
| Rear Piston Ø36 Brembo Type | | |
| RENAULT ESPACE - LAGUNA- NEVADA - R21 - SAFRANE | | |



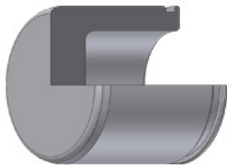
| | | |
|----------------------------------|------|--------|
| P-365301 | | |
| D=36 | d=27 | H=53,5 |
| Rear Caliper Piston Ø36 Trw Type | | |
| LAND ROVER FREELANDER | | |



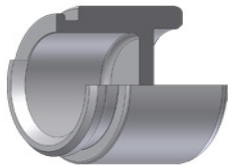
| | | |
|-------------------------------------|------|--------|
| P-382801 | | |
| D=38 | d=26 | H=28,5 |
| Front/Rear Piston Ø38 Lucas/Girling | | |
| VOLVO 140-160-240-260 | | |




| | | |
|----------------------------|------|--------|
| P-382802 | | |
| D=38 | d=25 | H=28,5 |
| Rear Piston Ø38 Teves Type | | |
| MERCEDES | | |



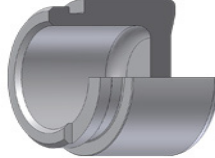
| | | |
|-------------------------------|------|------|
| P-382803 | | |
| D=38 | d=26 | H=29 |
| Front Piston Ø38 Girling Type | | |
| JAGUAR E-TYPE - VOLVO AMAZON | | |



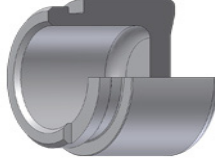
| | | |
|--|------|--------|
| P-382901 | | |
| D=38 | d=25 | H=29,9 |
| Rear Piston Ø38 Ate Type | | |
| ALFA ROMEO - MERCEDES - OPEL - PORSCHE - VOLVO | | |



| | | |
|-------------------------------------|--------|------|
| P-382902 | | |
| D=38 | d=22,5 | H=29 |
| Front Piston Ø38 Brembo (Aluminium) | | |
| ALFA ROMEO 166, PEUGEOT 607 | | |



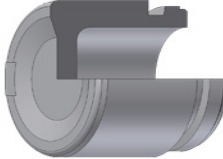
| | | |
|--------------------------------------|------|--------|
| P-382903 | | |
| D=38 | d=25 | H=29,3 |
| Rear Piston Ø38 Ate Type | | |
| SAAB 9.5; OPEL MONZA, OMEGA, SENATOR | | |



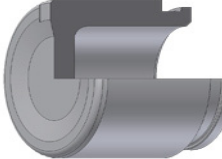
| | | |
|--|------|------|
| P-382905 | | |
| D=38 | d=25 | H=29 |
| Rear Piston Ø38 Girling Type | | |
| MERCEDES BENZ /8, 123, 200, 300, PAGODE, S-CLASS, SL | | |



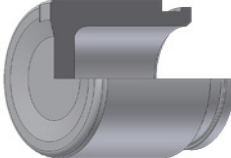
| | | |
|--|------|--------|
| P-383001 | | |
| D=38 | d=26 | H=30,5 |
| Rear Piston Ø38 Teves Type | | |
| ALFA ROMEO ALFETTA, GIULETTA, GTV, SPIDER, 75, 90; PORSCHE 914 | | |




| | | |
|---------------------------|------|--------|
| P-383002 | | |
| D=38 | d=25 | H=30,8 |
| Front Piston Ø38 Ate Type | | |
| MERCEDES E-CLASS | | |



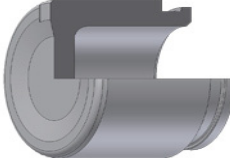
| | | |
|----------------------------------|------|--------|
| P-383003 | | |
| D=38 | d=25 | H=30,2 |
| Front Piston Ø38 Ate/Brembo Type | | |
| MERCEDES 190, E-CLASS, SL | | |




| | | |
|--|------|------|
| P-383004 | | |
| D=38 | d=23 | H=30 |
| Front Piston Ø38 Ate/Lucas Type | | |
| VOLVO 740-760-780, 850, 940-960, S70, V70, C70 | | |




| | | |
|--|------|------|
| P-383005 | | |
| D=38 | d=23 | H=30 |
| Front Piston Ø38 Brembo (Aluminium) | | |
| LAND ROVER RANGE ROVER, VOLVO S60, V70 | | |



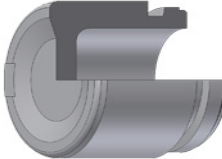
| | | |
|-----------------------------------|------|--------|
| P-383101 | | |
| D=38 | d=25 | H=31,4 |
| Rear Piston Ø38 Sumitomo Type | | |
| MITSUBISHI 3000 GT, TOYOTA CELICA | | |



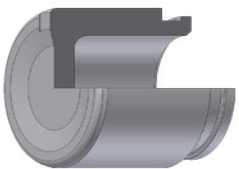
| | | |
|---|------|--------|
| P-383102 | | |
| D=38 | d=25 | H=31,7 |
| Rear Piston Ø38 Bendix Type | | |
| MERCEDES BENZ /8, COUPE, PAGODE, S CLASS, SL, SL COUPE, 123 | | |




| | | |
|-------------------------------------|--------|--------|
| P-383103 | | |
| D=38 | d=13,5 | H=31,5 |
| Front Piston Ø38 Brembo (Aluminium) | | |
| AUDI Q7, VW TOUAREG | | |



| | | |
|--------------------------------|------|--------|
| P-383201 | | |
| D=38 | d=25 | H=32,7 |
| Front Piston Ø38 Ate Type | | |
| MERCEDES C-CLASS, CLK, E-CLASS | | |



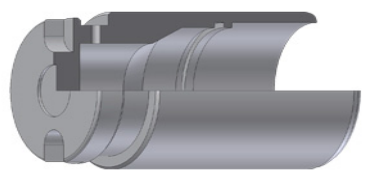
| | | |
|------------------------------|------|--------|
| P-383202 | | |
| D=38 | d=25 | H=32,5 |
| Rear Piston Ø38 Akebono Type | | |
| NISSAN 300 ZX | | |



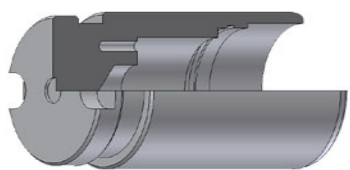
| | | |
|---|--------|------|
| P-383203 | | |
| D=38 | d=22,5 | H=32 |
| Front Piston Ø38 Brembo (Aluminium) | | |
| ALFA ROMEO 147; JAGUAR XJ, XJS; NISSAN 350Z; PEUGEOT 406 | | |



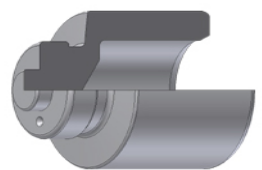
| | | |
|----------------------------------|------|--------|
| P-384101 | | |
| D=38 | d=30 | H=41,5 |
| Rear Piston Ø38 Lucas Type | | |
| VOLVO 740-780, 940-960, S90, V90 | | |



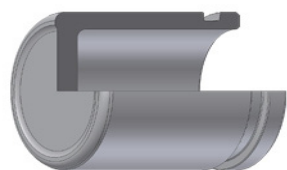
| | | |
|----------------------------|--------|------|
| P-384102 | | |
| D=38 | d=29,5 | H=41 |
| Rear Piston Ø38 Kasko Type | | |
| KIA CARENS | | |



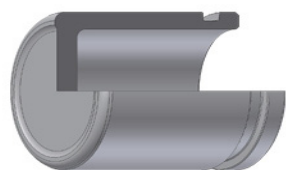
| | | |
|------------------------------|--------|--------|
| P-384103 | | |
| D=38 | d=32,5 | H=40,8 |
| Rear Piston Ø38 Akebono Type | | |
| MITSUBISHI PAJERO, MONTERO | | |



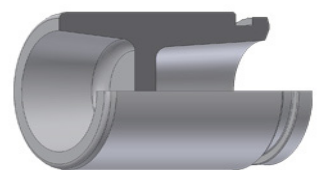
| | | |
|------------------------------|------|--------|
| P-384104 | | |
| D=38 | d=24 | H=41,5 |
| Front Piston Ø38 Bendix Type | | |
| RENAULT R8, 10 | | |



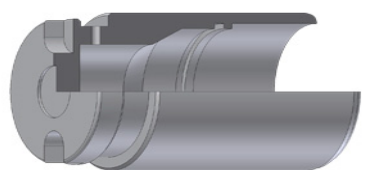
| | | |
|-----------------------------|------|--------|
| P-384401 | | |
| D=38 | d=29 | H=44,5 |
| Rear Piston Ø38 Advics Type | | |
| TOYOTA RAV-4 | | |



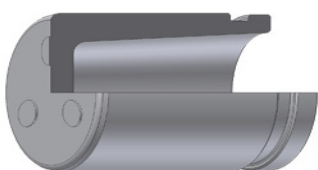
| | | |
|-------------------------------|------|------|
| P-384501 | | |
| D=38 | d=29 | H=45 |
| Rear Piston Ø38 Aisin Type | | |
| TOYOTA AVENSIS, CAMRY, CARINA | | |



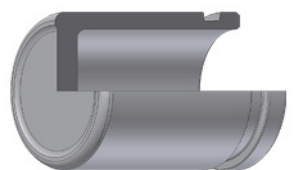
| | | |
|-----------------------------|------|------|
| P-384502 | | |
| D=38 | d=27 | H=45 |
| Rear Piston Ø38 Advics Type | | |
| TOYOTA | | |



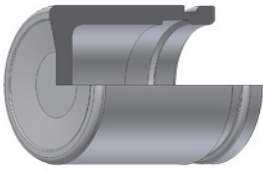
| | | |
|---|------|--------|
| P-384601 | | |
| D=38 | d=33 | H=46,8 |
| Rear Piston Ø38 Lucas Type | | |
| HONDA, HYUNDAI, LEXUS, NISSAN, ROVER, SUBARU, TOYOTA | | |



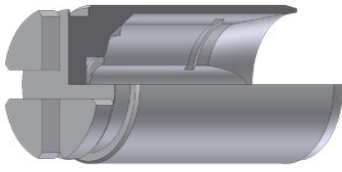
| | | |
|--|--------|------|
| P-384602 | | |
| D=38 | d=25,5 | H=46 |
| Rear Piston Ø38 Akebono Type | | |
| GM GROUP, PSA GROUP, MITSUBISHI, SUBARU, TOYOTA | | |



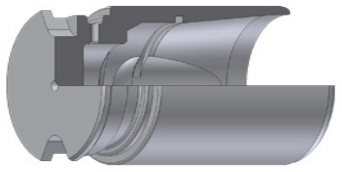
| | | |
|--|------|------|
| P-384603 | | |
| D=38 | d=30 | H=46 |
| Rear Piston Ø38 Nissin Type | | |
| HONDA ACCORD, CR-V, FR-V, LEGEND, SHUTTLE, STREAM | | |



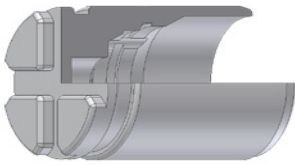
| | | |
|-----------------------------|------|------|
| P-384604 | | |
| D=38 | d=30 | H=46 |
| Rear Piston Ø38 Nissin Type | | |
| HONDA ACCORD | | |



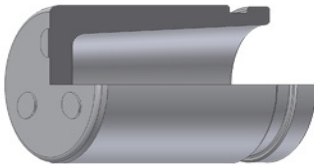
| | | |
|---------------------------------|------|--------|
| P-384701 | | |
| D=38 | d=33 | H=47,2 |
| Rear Piston Ø38 Nih Type | | |
| HONDA ACCORD, LEGEND; MAZDA MX5 | | |



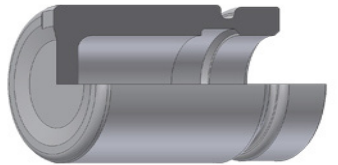
| | | |
|---|------|------|
| P-384702 | | |
| D=38 | d=34 | H=47 |
| Rear Piston Ø38 Bosch Type | | |
| FIAT BRAVO, BRAVA, MULTIPLA, STILO; OPEL ASTRA, ZAFIRA | | |



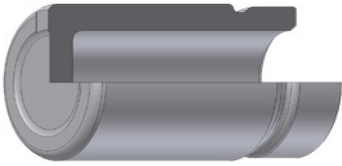
| | | |
|--------------------------|------|------|
| P-384703 | | |
| D=38 | d=33 | H=47 |
| Rear Piston Ø38 Nih Type | | |
| HONDA ACCORD | | |



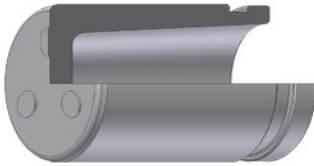
| | | |
|----------------------------|------|------|
| P-384704 | | |
| D=38 | d=29 | H=47 |
| Rear Piston Ø38 Kasko Type | | |
| KIA CARENS | | |



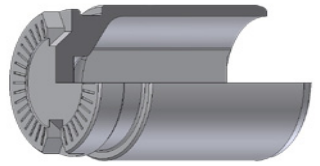
| | | |
|---------------------------------------|------|------|
| P-384801 | | |
| D=38 | d=20 | H=48 |
| Rear Piston Ø38 Ate Type | | |
| BMW 3 SERIES, 7 SERIES; SAAB 9-3, 9-5 | | |



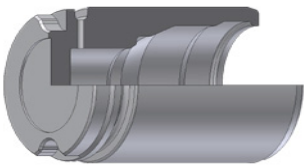
| | | |
|--|------|--------|
| P-384802 | | |
| D=38 | d=29 | H=48,5 |
| Rear Piston Ø38 Bendix Type | | |
| HONDA ACCORD; TOYOTA AVENISIS, COROLLA, VERSO, PREVIA | | |



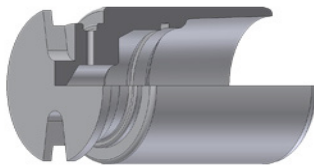
| | | |
|-----------------------------|------|--------|
| P-384803 | | |
| D=38 | d=27 | H=48,8 |
| Rear Piston Ø38 Tokico Type | | |
| SUBARU LEGACY, OUTBACK, XV | | |



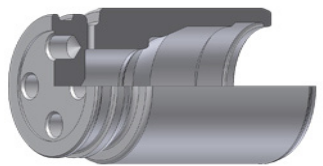
| | | |
|----------------------------|------|--------|
| P-384804 | | |
| D=38 | d=28 | H=48,5 |
| Rear Piston Ø38 Mando Type | | |
| HYUNDAI i40 | | |



| | | |
|------------------------------------|------|------|
| P-384805 | | |
| D=38 | d=29 | H=48 |
| Rear Piston Ø38 Ate Type | | |
| CHEVROLET CRUZE; OPEL ASTRA, MOKKA | | |



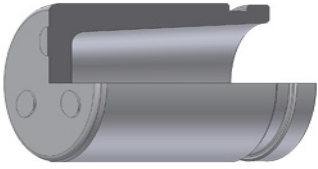
| | | |
|--|--------|------|
| P-384901 | | |
| D=38 | d=32,2 | H=49 |
| Rear Piston Ø38 Bosch Type | | |
| ALFA, AUDI, CITROËN, FIAT, FORD, JAGUAR, PEUGEOT, SEAT, SKODA, VW | | |



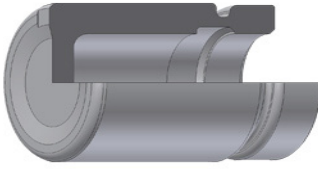
| | | |
|--|------|--------|
| P-384902 | | |
| D=38 | d=29 | H=49,7 |
| Rear Piston Ø38 Teves Type | | |
| CITROËN, FORD, HONDA, MAZDA, NISSAN, OPEL, RENAULT, SAAB, VOLVO | | |



CALIPER PISTONS

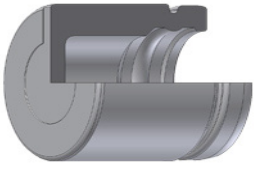
| | | |
|--|------|--------|
| P-384903 | | |
| D=38 | d=29 | H=49,4 |
| Rear Piston Ø38 Mando Type | | |
| HYUNDAI SANTA FE, TRAJET; MITSUBISHI SANTAMO | | |



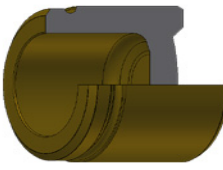
| | | |
|--------------------------|------|------|
| P-385001 | | |
| D=38 | d=22 | H=50 |
| Rear Piston Ø38 Ate Type | | |
| BMW 5 SERIES, 7 SERIES | | |



| | | |
|--|--------|---------|
| P-385002 | | |
| D=38 | d=33,4 | H=50,35 |
| Rear Piston Ø38 Bosch Type | | |
| CITROEN C4 PICASSO, C4 GRAND PICASSO; TOYOTA AVENTIS | | |



| | | |
|--------------------------|--------|--------|
| P-385003 | | |
| D=38 | d=28,5 | H=50,5 |
| Rear Piston Ø38 Ate Type | | |
| MERCEDES C-CLASS | | |

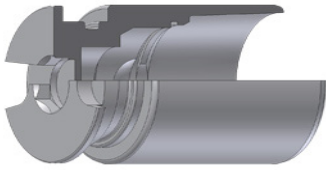


OEM: PHENOLIC WRAKYNSON: STEEL

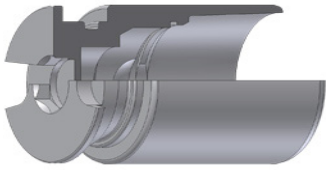
| | | |
|------------------------------------|------|------|
| P-385004 | | |
| D=38 | d=22 | H=50 |
| Rear Piston Ø38 Girling (Phenolic) | | |
| JAGUAR S-TYPE, XJ, XJS | | |



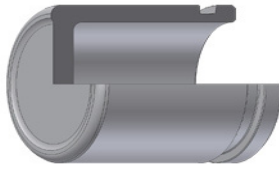
| | | |
|--|------|------|
| P-385101 | | |
| D=38 | d=33 | H=51 |
| Rear Piston Ø38 Lucas Type | | |
| ALFA, VAG, PSA, GM, FIAT, HONDA, MITSUBISHI, LANCIA, NISSAN, VOLVO | | |



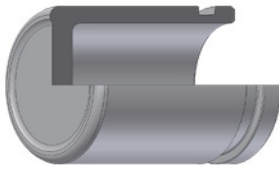
| | | |
|-----------------------------|------|------|
| P-385102 | | |
| D=38 | d=33 | H=51 |
| Rear Piston Ø38 Bosch Type | | |
| FORD MONDEO, RENAULT KANGOO | | |



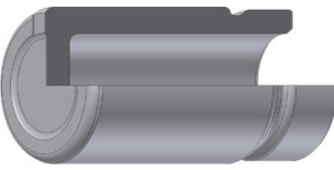
| | | |
|----------------------------|------|------|
| P-385103 | | |
| D=38 | d=33 | H=51 |
| Rear Piston Ø38 Bosch Type | | |
| RENAULT KANGOO | | |



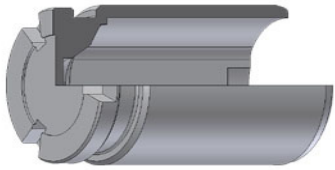
| | | |
|------------------------------|------|------|
| P-385104 | | |
| D=38 | d=29 | H=51 |
| Front Piston Ø38 Bendix Type | | |
| FORD TRANSIT | | |



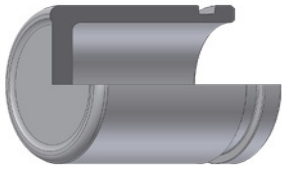
| | | |
|--|------|--------|
| P-385105 | | |
| D=38 | d=29 | H=51,5 |
| Front/Rear Piston Ø38 Nissin Type | | |
| HONDA ACCORD, LEGEND; NISSAN NAVARA, PATHFINDER; SUBARU FORESTER | | |



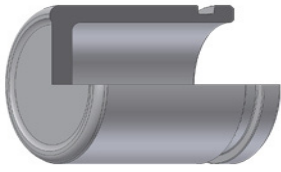
| | | |
|-----------------------------|------|--------|
| P-385201 | | |
| D=38 | d=29 | H=52,5 |
| Rear Piston Ø38 Bendix Type | | |
| MERCEDES VIANO, VITO | | |



| | | |
|--|------|------|
| P-385202 | | |
| D=38 | d=29 | H=52 |
| Rear Piston Ø38 Trw Type | | |
| FORD GALAXY, S-MAX; LANCIA THESIS; VW PASSAT; VOLVO S60, S80 | | |



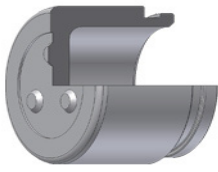
| | | |
|-------------------------------------|------|--------|
| P-385203 | | |
| D=38 | d=27 | H=52,5 |
| Rear Piston Ø38 Sumit/Tokico Type | | |
| MAZDA MPV; SUBARU FORESTER, IMPREZA | | |




| | | |
|---|------|--------|
| P-385301 | | |
| D=38 | d=29 | H=53,6 |
| Front Piston Ø38 Brembo Type | | |
| CITROËN, FIAT, PEUGEOT, LAND ROVER, VOLVO | | |



| | | |
|--|--------|------|
| P-402901 | | |
| D=40 | d=21,5 | H=29 |
| Rear Piston Ø40 Ate Type | | |
| MERCEDES E-CLASS, S-CLASS; OPEL MONZA, SENATOR | | |




| | | |
|-------------------------------------|------|--------|
| P-402902 | | |
| D=40 | d=30 | H=29,3 |
| Front Piston Ø40 Sumitomo Type | | |
| NISSAN 200SX, 300ZX; SUBARU IMPREZA | | |



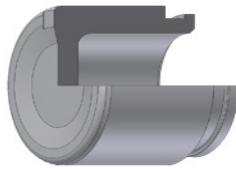
| | | |
|---|------|------|
| P-402903 | | |
| D=40 | d=26 | H=29 |
| Front Piston Ø40 Lucas Type | | |
| MITSUBISHI 3.000 GT; VW BEETLE 1.200, 1.300, 1.500, 1.600 | | |



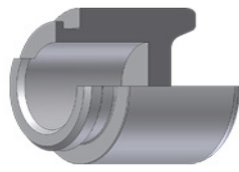
| | | |
|---|--------|------|
| P-402904 | | |
| D=40 | d=23,5 | H=29 |
| Front Piston Ø40 Brembo (Aluminium) | | |
| ALFA ROMEO, CITROËN, NISSAN, PEUGEOT, RENAULT | | |



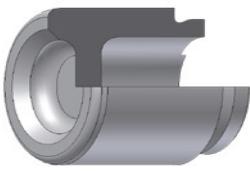
| | | |
|----------------------------|------|------|
| P-403001 | | |
| D=40 | d=25 | H=30 |
| Rear Piston Ø40 Ate Type | | |
| VOLVO 740-760-780, 940-960 | | |




| | | |
|--------------------------|------|--------|
| P-403002 | | |
| D=40 | d=25 | H=30,2 |
| Rear Piston Ø40 Ate Type | | |
| MERCEDES M-CLASS | | |



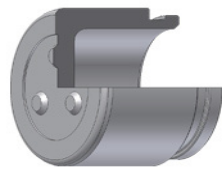
| | | |
|---|--------|------|
| P-403003 | | |
| D=40 | d=21,5 | H=30 |
| Front Piston Ø40 Ate/Girling Type | | |
| VW BEETLE 1.200, 1.300, 1.500, 1.600; OPEL SENATOR, MONZA | | |



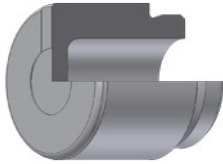
| | | |
|---|--------|------|
| P-403004 | | |
| D=40 | d=21,5 | H=30 |
| Front Piston Ø40 Ate Type | | |
| ALFA ROMEO 6, 75, BMW 02, 5 SERIES(E12), 6 SERIES (E24) | | |




| | | |
|-------------------------------------|------|------|
| P-403005 | | |
| D=40 | d=25 | H=30 |
| Front Piston Ø40 Brembo (Aluminium) | | |
| ALFA ROMEO, LAND ROVER, OPEL, SAAB | | |



| | | |
|-------------------------------|------|--------|
| P-403101 | | |
| D=40 | d=30 | H=31,5 |
| Rear Piston Ø40 Sumitomo Type | | |
| TOYOTA CELICA, SUPRA | | |



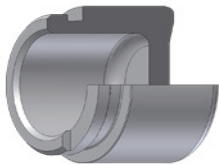
| | | |
|----------------------------------|------|------|
| P-403201 | | |
| D=40 | d=22 | H=32 |
| Front Caliper Ø40 Ate Type | | |
| BMW 5 SERIES, 6 SERIES, 7 SERIES | | |



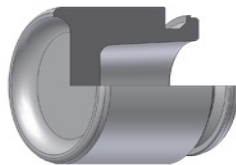
| | | |
|-------------------------------------|------|------|
| P-403202 | | |
| D=40 | d=23 | H=32 |
| Front Piston Ø40 Brembo (Aluminium) | | |
| BMW, MERCEDES | | |



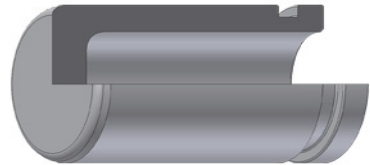
| | | |
|----------------------------|------|--------|
| P-403203 | | |
| D=40 | d=25 | H=32,9 |
| Rear Piston Ø40 Aisin Type | | |
| LEXUS GS, IS | | |



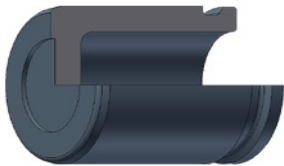
| | | |
|--------------------------|------|------|
| P-403204 | | |
| D=40 | d=28 | H=32 |
| Rear Piston Ø40 Ate Type | | |
| OPEL OMEGA | | |



| | | |
|-----------------------------|--------|--------|
| P-403501 | | |
| D=40 | d=23,5 | H=35,2 |
| Front Piston Ø40 Lucas Type | | |
| MERCEDES S-CLASS | | |



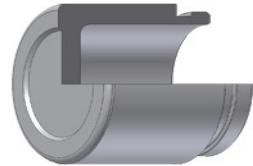
| | | |
|------------------------------|--------|--------|
| P-404101 | | |
| D=40 | d=31,5 | H=41,7 |
| Rear Piston Ø40 Lucas Type | | |
| VOLVO 940-960, C70, S70, V70 | | |



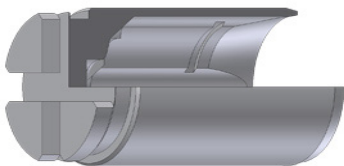
| | | |
|----------------------------------|--------|--------|
| P-404401 | | |
| D=40,4 | d=27,5 | H=44,2 |
| Rear piston Ø 40 PBR (Aluminium) | | |
| SSANGYONG KORANDO, MUSSO | | |



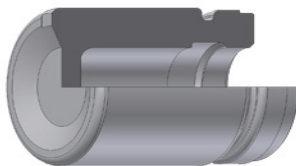
| | | |
|----------------------------|------|------|
| P-404501 | | |
| D=40,4 | d=26 | H=45 |
| Rear Piston Ø40 Aisin Type | | |
| LEXUS RX | | |



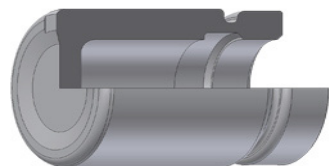
| | | |
|----------------------------|------|------|
| P-404601 | | |
| D=40,4 | d=29 | H=46 |
| Rear Piston Ø40 Aisin Type | | |
| LEXUS ES, GS, LS | | |



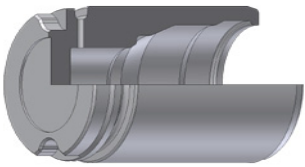
| | | |
|-----------------------------|--------|------|
| P-404701 | | |
| D=40,4 | d=24,5 | H=47 |
| Rear Piston Ø40 Nissin Type | | |
| HONDA S2000 | | |



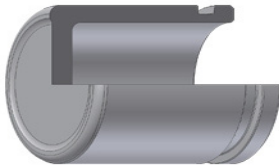
| | | |
|--|------|------|
| P-404801 | | |
| D=40 | d=20 | H=48 |
| Rear Piston Ø40 Ate Type | | |
| BMW 3,5,7,8 SERIES, Z3, Z4; ROVER MG; SAAB 9.5 | | |



| | | |
|---------------------------|------|------|
| P-404802 | | |
| D=40 | d=25 | H=48 |
| Front Piston Ø40 Ate Type | | |
| BMW 3 SERIES | | |



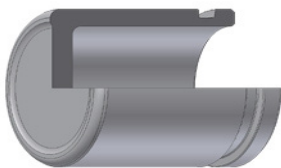
| | | |
|--------------------------------------|------|------|
| P-404803 | | |
| D=40 | d=29 | H=48 |
| Rear Piston Ø40 Ate Type | | |
| CHEVROLET CRUZE, ORLANDO; OPEL ASTRA | | |



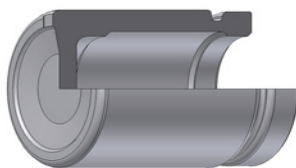
| | | |
|-----------------------------|------|------|
| P-404901 | | |
| D=40 | d=32 | H=49 |
| Rear Piston Ø40 Bendix Type | | |
| VOLVO 740-760-780, 940-960 | | |



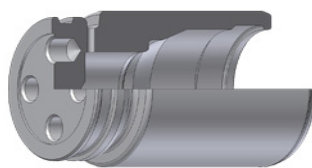
| | | |
|----------------------------|------|--------|
| P-404902 | | |
| D=40 | d=26 | H=49,8 |
| Rear Piston Ø40 Aisin Type | | |
| TOYOTA AVENSIS, CELICA | | |



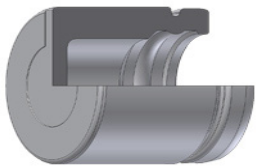
| | | |
|--|--------|--------|
| P-404903 | | |
| D=40 | d=31,5 | H=49,6 |
| Front Piston Ø40 Girling Type | | |
| CHEVROLET CAPTIVA; OPEL ANTARA; VOLVO 740-760-780, 940-960 | | |



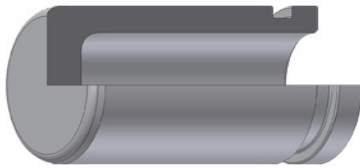
| | | |
|--------------------------|------|------|
| P-404904 | | |
| D=40 | d=25 | H=49 |
| Rear Piston Ø40 Ate Type | | |
| VOLVO C70, S70, V70 | | |



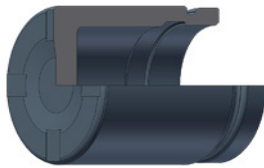
| | | |
|--------------------------|------|--------|
| P-404905 | | |
| D=40 | d=29 | H=49,7 |
| Rear Piston Ø40 Ate Type | | |
| OPEL GT, SIGNUM, VECTRA | | |



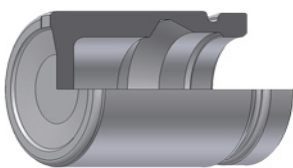
| | | |
|---|------|--------|
| P-405001 | | |
| D=40 | d=30 | H=50,5 |
| Rear Piston Ø40 Ate Type | | |
| BMW 1 SERIES; MERCEDES C-CLASS, CLC-CLASS | | |



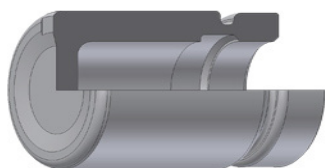
| | | |
|---------------------------------------|--------|------|
| P-405002 | | |
| D=40 | d=33,4 | H=50 |
| Front Piston Ø40 Tokico / Nissan Type | | |
| SUBARU, NISSAN | | |



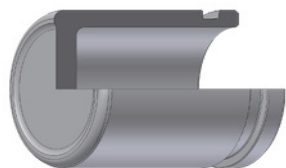
| | | |
|---------------------------------|------|------|
| P-405201 | | |
| D=40 | d=25 | H=52 |
| Rear Piston Ø40 Ate (Aluminium) | | |
| BMW 5 SERIES | | |



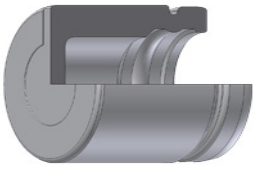
| | | |
|--------------------------|------|------|
| P-405202 | | |
| D=40 | d=25 | H=52 |
| Rear Piston Ø40 Ate Type | | |
| BMW 7 SERIES | | |



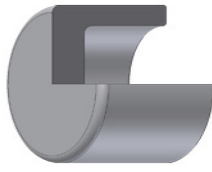
| | | |
|-----------------|------|------|
| P-405203 | | |
| D=40 | d=22 | H=52 |
| BMW | | |



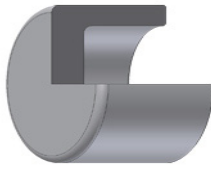
| | | |
|--|--------|------|
| P-405301 | | |
| D=40 | d=31,5 | H=53 |
| Front Piston Ø40 Lucas Type | | |
| AUDI, BMW, CITROËN, FIAT, NISSAN, OPEL, PEUGEOT, RENAULT | | |



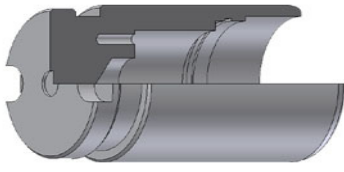
| | | |
|--|--------|------|
| P-405501 | | |
| D=40 | d=30,1 | H=55 |
| Rear Piston Ø40 Ate Type | | |
| FORD MAVERICK, MAZDA TRIBUTE, MERCEDES M-CLASS | | |



| | | |
|--|------|--------|
| P-412801 | | |
| D=41 | d=31 | H=28,4 |
| Rear Piston Ø41 AP Type | | |
| DAF SHERPA, V 200, V400; LAND ROVER DEFENDER, DISCOVERY, RANGE | | |



| | | |
|-------------------------------------|------|--------|
| P-413401 | | |
| D=41 | d=31 | H=34,2 |
| Front Piston Ø41 AP Type | | |
| DAF, FORD, IVECO, LAND ROVER, ROVER | | |



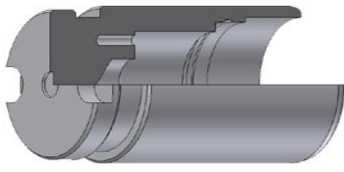
| | | |
|--------------------------|------|------|
| P-414101 | | |
| D=41 | d=32 | H=41 |
| Rear Piston Ø41 Ake Type | | |
| MITSUBISHI | | |



| | | |
|--------------------------|------|------|
| P-414301 | | |
| D=41 | d=26 | H=44 |
| Rear Piston Ø41 NBK Type | | |
| ISUZU TROOPER | | |



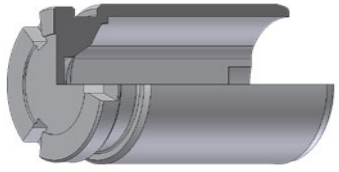
| | | |
|---|------|--------|
| P-414501 | | |
| D=41 | d=29 | H=45,8 |
| Front/Rear Piston Ø41 Akebono Type | | |
| HYUNDAI, MAZDA, MITSUBISHI, LEXUS, OPEL | | |




| | | |
|----------------------------|------|--------|
| P-414601 | | |
| D=41 | d=35 | H=46,5 |
| Rear Piston Ø41 Akeb. Type | | |
| TOYOTA MR2 | | |



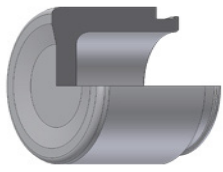
| | | |
|---|------|------|
| P-415101 | | |
| D=41 | d=35 | H=51 |
| Rear Piston Ø41 Lucas Type | | |
| ALFA, AUDI, CITROËN, FIAT, NISSAN, OPEL, RENAULT, SEAT, SKODA, VW | | |



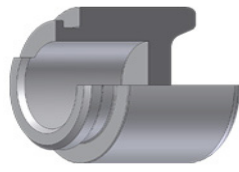
| | | |
|--------------------------------|------|------|
| P-415201 | | |
| D=41 | d=29 | H=52 |
| Rear Piston Ø41 Trw Type | | |
| AUDI A6; VW PASSAT, CC, TIGUAN | | |



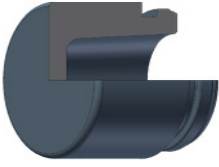
| | | |
|--------------------------------------|------|------|
| P-422601 | | |
| D=42 | d=32 | H=26 |
| Front Piston Ø42 Citroen (Aluminium) | | |
| CITROËN 2 CV, CX, GS, C32, C35 | | |



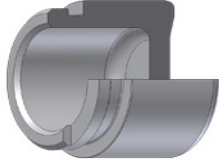
| | | |
|---|------|--------|
| P-422801 | | |
| D=43 | d=31 | H=28,5 |
| Front Piston Ø42 Sumitomo Type | | |
| MITSUBISHI 3000 GT; TOYOTA HILUX, 4-RUNNER, LAND CRUISER; VW TARO | | |




| | | |
|----------------------------------|--------|--------|
| P-422901 | | |
| D=42 | d=21,5 | H=29,5 |
| Front/Rear Piston Ø42 Ate Type | | |
| BMW, MERCEDES, OPEL, PORSCHE, VW | | |



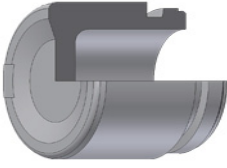
| P-422902 | | |
|-------------------------------------|--------|------|
| D=42 | d=25,5 | H=29 |
| Front Piston Ø42 Brembo (Aluminium) | | |
| ALFA ROMEO 159, 166; PEUGEOT 607 | | |



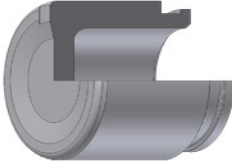
| P-422903 | | |
|---------------------------------|------|--------|
| D=42 | d=23 | H=29,5 |
| Rear piston Ø42 Ate Type | | |
| MERCEDES KOMBI T MODEL, E-CLASS | | |



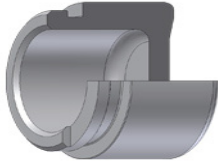
| P-422904 | | |
|---------------------------------|------|--------|
| D=42 | d=30 | H=29,5 |
| Rear Piston Ø42 Ate (Aluminium) | | |
| MERCEDES | | |




| P-423001 | | |
|---------------------------|------|--------|
| D=42 | d=30 | H=30,8 |
| Front Piston Ø42 Ate Type | | |
| MERCEDES E-CLASS | | |



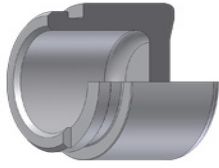
| P-423002 | | |
|---------------------------|------|--------|
| D=42 | d=30 | H=30,2 |
| Front Piston Ø42 Ate Type | | |
| MERCEDES 190, E-CLASS, SL | | |



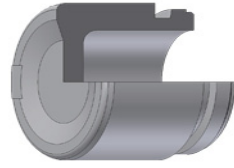
| P-423003 | | |
|------------------------------------|------|------|
| D=42 | d=30 | H=30 |
| Rear Piston Ø42 Ate Type | | |
| MERCEDES C-CLASS, CLK, E-CLASS, SL | | |




| P-423005 | | |
|-------------------------------------|--------|------|
| D=42 | d=25,5 | H=30 |
| Front Piston Ø42 Brembo (Aluminium) | | |
| ALFA ROMEO | | |



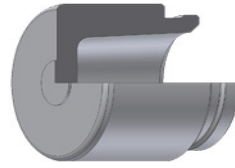
| P-423101 | | |
|--------------------------|------|--------|
| D=42 | d=30 | H=31,8 |
| Rear Piston Ø42 Ate Type | | |
| OPEL OMEGA | | |



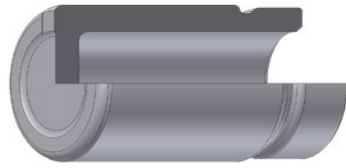
| P-423201 | | |
|--------------------------------|------|--------|
| D=42 | d=30 | H=32,7 |
| Front Piston Ø42 Ate Type | | |
| MERCEDES C-CLASS, CLK, E-CLASS | | |



| P-423202 | | |
|-------------------------------------|--------|------|
| D=42 | d=25,5 | H=32 |
| Front Piston Ø42 Brembo (Aluminium) | | |
| ALFA ROMEO 147, PEUGEOT 406 | | |



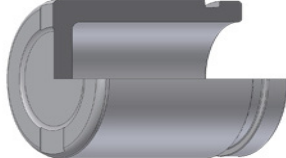
| P-423501 | | |
|------------------------------|------|--------|
| D=42 | d=27 | H=35,7 |
| Front Piston Ø42 Brembo Type | | |
| IVECO DAILY | | |



| P-424401 | | |
|---------------------------|------|--------|
| D=42 | d=32 | H=44,6 |
| Front Piston Ø42 PBR Type | | |
| FORD TERRITORY | | |



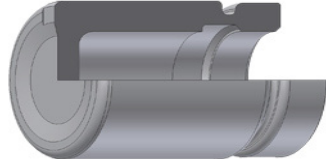
| | | |
|-------------------------------|--------|--------|
| P-424601 | | |
| D=43 | d=34,4 | H=46,8 |
| Rear Piston Ø 42.8 Lucas Type | | |
| FORD, MAZDA, NISSAN | | |



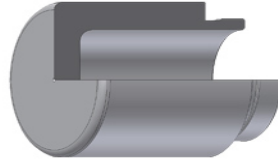
| | | |
|--|------|--------|
| P-424602 | | |
| D=42 | d=30 | H=46,9 |
| Front Piston Ø42 Bosch Type | | |
| SMART CABRIO, CITY COUPE, CROSSBLADE, FORTWO, ROADSTER | | |



| | | |
|-----------------------------|------|--------|
| P-424801 | | |
| D=43 | d=34 | H=48,9 |
| Front Piston Ø43 Lucas Type | | |
| FORD, HYUNDAI, NISSAN, KIA | | |



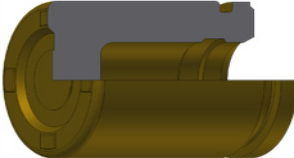
| | | |
|--------------------------|------|------|
| P-424802 | | |
| D=42 | d=25 | H=48 |
| Rear Piston Ø42 Ate Type | | |
| BMW 3 SERIES, X3 | | |



| | | |
|------------------------------|------|------|
| P-424803 | | |
| D=42 | d=25 | H=48 |
| Front Piston Ø42 Bendix Type | | |
| RENAULT R30, TRAFIC | | |

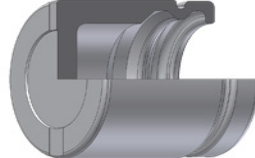


| | | |
|-------------------------------------|--------|------|
| P-424901 | | |
| D=42 | d=25,6 | H=49 |
| Rear Piston Ø42 Ate Type | | |
| VOLVO C70, S60, S70, S80, V70, XC70 | | |

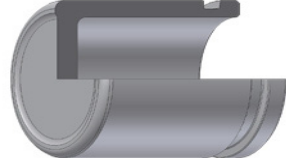


OEM: PHENOLIC WRACKYNSON: STEEL

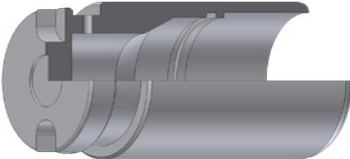
| | | |
|---------------------------------|------|------|
| P-425001 | | |
| D=42 | d=20 | H=51 |
| Rear Piston Ø42 Ate (Phenolic) | | |
| CHRYSLER VOYAGER III, IV SERIES | | |



| | | |
|--|------|--------|
| P-425002 | | |
| D=42 | d=30 | H=50,5 |
| Rear Piston Ø42 Ate Type | | |
| BMW 1 SERIES, 3 SERIES, X1; MERCEDES GLK-CLASS | | |



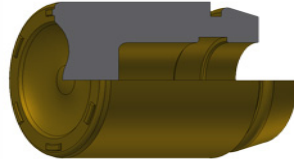
| | | |
|---------------------------------|------|------|
| P-425101 | | |
| D=42 | d=30 | H=51 |
| Front Piston Ø42 Bosch/Bdx.Type | | |
| FORD TRANSIT | | |



| | | |
|------------------------------|--------|--------|
| P-425102 | | |
| D=43 | d=34,4 | H=51,3 |
| Rear Piston Ø42.8 Lucas type | | |
| AUDI, CHRYSLER, JAGUAR, VW | | |

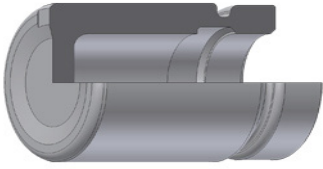


| | | |
|---|--------|------|
| P-425103 | | |
| D=42 | d=36,5 | H=51 |
| Rear Piston Ø42 Bosch Type | | |
| NISSAN INTERSTAR; OPEL MOVANO; RENAULT MASTER | | |

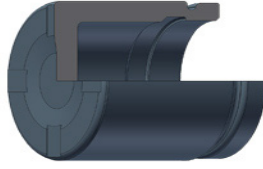


OEM: PHENOLIC WRACKYNSON: STEEL

| | | |
|--------------------------------|------|------|
| P-425104 | | |
| D=42 | d=20 | H=51 |
| Rear Piston Ø42 Ate (Phenolic) | | |
| MERCEDES CLS, E-CLASS, S-CLASS | | |



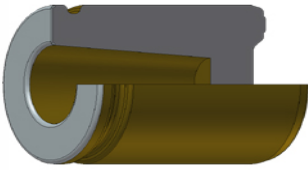
| | | |
|--|------|------|
| P-425201 | | |
| D=42 | d=25 | H=52 |
| Rear Piston Ø42.8 Ate Type | | |
| BMW 3, 5, 6 SERIES, X5; LAND ROVER RANGE ROVER | | |



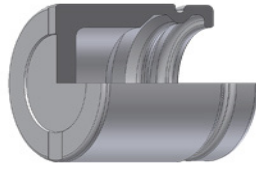
| | | |
|----------------------------------|--------|---------|
| P-425202 | | |
| D=42 | d=25,1 | H=52,25 |
| Rear Piston Ø 42 Ate (Aluminium) | | |
| BMW 5 (E39)Touring | | |



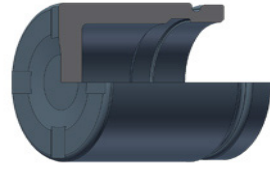
| | | |
|--------------------------------------|------|--------|
| P-425301 | | |
| D=42 | d=30 | H=53,2 |
| Rear Piston Ø42 Brembo Type | | |
| IVECO DAILY, OPEL INSIGNIA, SAAB 9.5 | | |



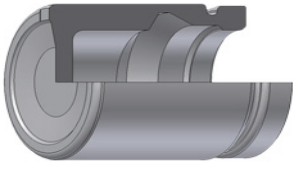
| | | |
|--------------------------------------|------|------|
| P-425302 | | |
| D=42 | d=21 | H=53 |
| Front Piston Ø42 Chrysler (Phenolic) | | |
| CHRYSLER | | |



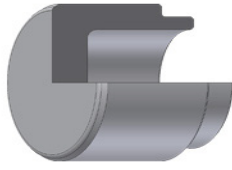
| | | |
|--|------|--------|
| P-425501 | | |
| D=42 | d=30 | H=55,5 |
| Rear Piston Ø42 Ate Type | | |
| BMW X5, X6; MERCEDES G-CLASS, GL-CLASS, M-CLASS, R-CLASS | | |



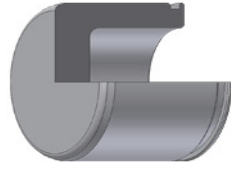
| | | |
|----------------------------------|------|--------|
| P-425502 | | |
| D=42 | d=25 | H=55,5 |
| Front Piston Ø42 Ate (Aluminium) | | |
| AUDI A6, A7, A8, VW PHAETON | | |



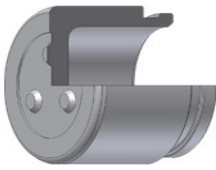
| | | |
|---|------|------|
| P-425601 | | |
| D=42 | d=25 | H=56 |
| Rear Piston Ø42 Ate Type | | |
| AUDI A8; BMW 5, 6, 7 SERIES, X5; VW PHAETON | | |



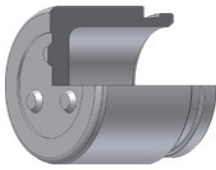
| | | |
|--------------------------------------|------|--------|
| P-432801 | | |
| D=43 | d=31 | H=28,6 |
| Front Piston Ø43 Sumitomo Type | | |
| TOYOTA HILUX, LAND CRUISER, 4-RUNNER | | |



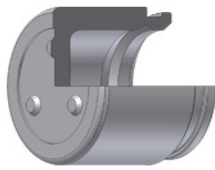
| | | |
|--------------------------------------|------|------|
| P-432901 | | |
| D=43 | d=32 | H=29 |
| Rear Piston Ø43 Girling Type | | |
| JAGUAR E TYPE, XJ SERIES, XJS SERIES | | |



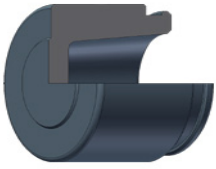
| | | |
|--|------|------|
| P-433101 | | |
| D=43 | d=27 | H=31 |
| Front Piston Ø43 Advics Type | | |
| HONDA LEGEND; LEXUS LS, GS; TOYOTA SUPRA | | |



| | | |
|--------------------------------|------|--------|
| P-433102 | | |
| D=43 | d=31 | H=31,5 |
| Front Piston Ø43 Sumitomo Type | | |
| TOYOTA HILUX | | |



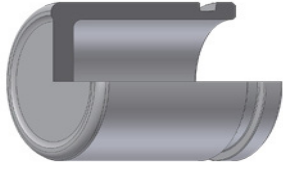
| | | |
|-------------------------------|--------|--------|
| P-433103 | | |
| D=43 | d=29,5 | H=31,5 |
| Front Piston Ø43 SumitomoType | | |
| TOYOTA LAND CRUISER, LEXUS LX | | |



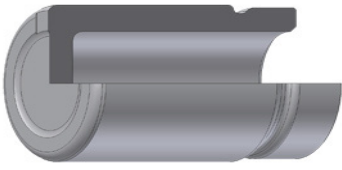
| | | |
|-------------------------------------|------|------|
| P-433104 | | |
| D=43 | d=27 | H=31 |
| Front Piston Ø43 Advics (Aluminium) | | |
| HONDA LEGEND | | |



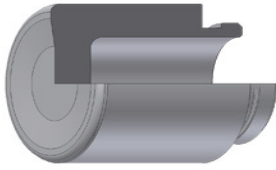
| | | |
|---|------|--------|
| P-434501 | | |
| D=43 | d=25 | H=44,8 |
| Front Piston Ø43 Akebono Type | | |
| CITROËN, HYUNDAI, MITSUBISHI, NISSAN, PEUGEOT, TOYOTA | | |



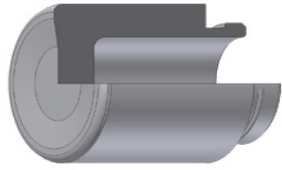
| | | |
|-----------------------------|--------|------|
| P-434502 | | |
| D=43 | d=32,5 | H=45 |
| Rear Piston Ø43 Toyota Type | | |
| TOYOTA AVENSIS, PREVIA | | |



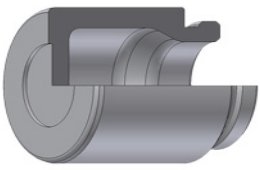
| | | |
|------------------------------------|------|------|
| P-434503 | | |
| D=43 | d=32 | H=45 |
| Rear Piston Ø43 Sumitomo Type | | |
| MITSUBISHI MONTERO, PAJERO, SHOGUN | | |



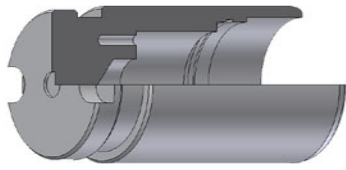
| | | |
|------------------------------|------|------|
| P-434504 | | |
| D=43 | d=32 | H=45 |
| Rear Piston Ø43 Akebono Type | | |
| NISSAN MURANO | | |



| | | |
|---|------|------|
| P-434505 | | |
| D=43 | d=29 | H=45 |
| Rear Piston Ø43 AkebonoType | | |
| NISSAN MURANO, QUASHQAI; RENAULT KOLEOS; TOYOTA CAMRY, CELICA | | |



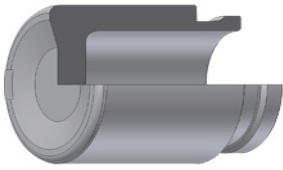
| | | |
|----------------------------|------|------|
| P-434601 | | |
| D=43 | d=25 | H=46 |
| Rear Piston Ø43 Aisin Type | | |
| LEXUS LS, TOYOTA CAMRY | | |



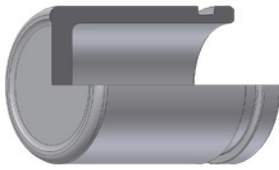
| | | |
|------------------------------|------|------|
| P-434602 | | |
| D=43 | d=35 | H=46 |
| Rear Piston Ø43 Akebono Type | | |
| TOYOTA MR2 | | |



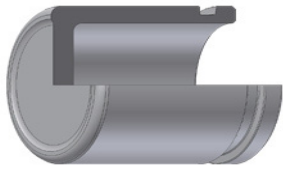
| | | |
|-------------------------------------|------|------|
| P-434701 | | |
| D=43 | d=32 | H=47 |
| Rear Piston Ø43 Kasko Type | | |
| HYUNDAI ix55; KIA CARNIVAL, SORENTO | | |



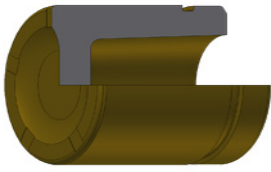
| | | |
|---|------|------|
| P-434801 | | |
| D=43 | d=29 | H=48 |
| Front Piston Ø43 Akebono Type | | |
| FORD, MAZDA, MITSUBHISI, NISSAN, SUBARU | | |



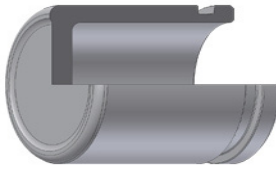
| | | |
|------------------------------|------|------|
| P-434802 | | |
| D=43 | d=35 | H=48 |
| Front Piston Ø43 Nissan Type | | |
| FORD, MAZDA, NISSAN, SUBARU | | |



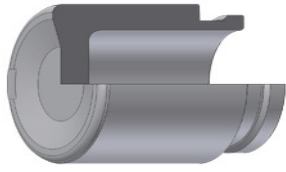
| | | |
|----------------------------|------|------|
| P-434804 | | |
| D=43 | d=34 | H=48 |
| Rear Piston Ø43 Advi Type | | |
| LEXUS IS, GS; TOYOTA CROWN | | |



| | | |
|------------------------------------|------|------|
| P-434805 | | |
| D=43 | d=23 | H=48 |
| Front Piston Ø43 Nissan (Phenolic) | | |
| NISSAN PICK UP | | |



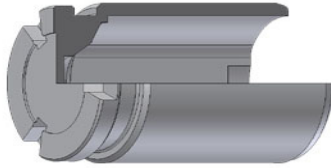
| | | |
|--|------|--------|
| P-434901 | | |
| D=43 | d=34 | H=48,9 |
| Front/Rear Piston Ø43 Mando/Nissan | | |
| HONDA, HYUNDAI, MAZDA, MITSUBISHI, NISSAN, SSANGYONG | | |



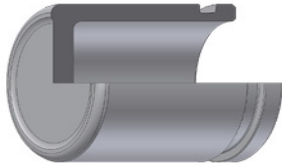
| | | |
|-------------------------------|------|------|
| P-435001 | | |
| D=43 | d=29 | H=50 |
| Front Piston Ø43 Akebono Type | | |
| TOYOTA CAMRY | | |



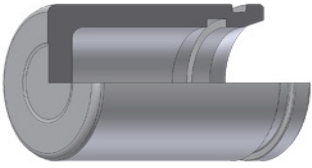
| | | |
|-----------------------------|------|--------|
| P-435101 | | |
| D=43 | d=34 | H=51,5 |
| Rear Piston Ø42 Nissin Type | | |
| HONDA ACCORD, LEGEND | | |



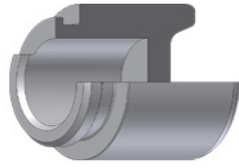
| | | |
|---|------|------|
| P-435201 | | |
| D=43 | d=33 | H=52 |
| Rear Piston Ø43 Trw Type | | |
| AUDI A5, A6, A8, Q5; LAND ROVER RANGE ROVER | | |



| | | |
|--------------------------------------|------|--------|
| P-435301 | | |
| D=43 | d=35 | H=53,6 |
| Front Piston Ø43 Girling Type | | |
| CITROËN C25, FIAT DUCATO, PEUGEOT J5 | | |




| | | |
|-------------------------------|--------|------|
| P-435501 | | |
| D=43 | d=30,5 | H=55 |
| Front Piston Ø43 Girling Type | | |
| AUDI 100, A6, A8; VW PHAETON | | |



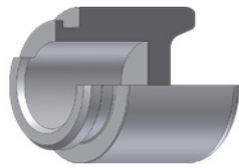
| | | |
|---|--------|--------|
| P-442901 | | |
| D=44 | d=21,5 | H=29,5 |
| Front Piston Ø44 Ate Type | | |
| DAF 44, 55, 66; OPEL KADETT; TALBOT SIMCA 900, 1000; VOLVO 66 | | |



| | | |
|-------------------------------------|------|------|
| P-442902 | | |
| D=44 | d=25 | H=29 |
| Front Piston Ø44 Brembo (Aluminium) | | |
| CITROËN C8, PEUGEOT 807 | | |



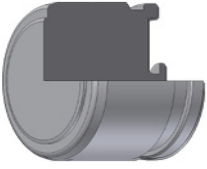
| | | |
|-------------------------------|------|------|
| P-442903 | | |
| D=44 | d=32 | H=29 |
| Front Piston Ø44 Girling Type | | |
| VOLKSWAGEN, SEAT | | |



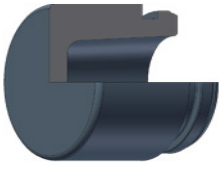
| | | |
|---------------------------|------|--------|
| P-443001 | | |
| D=44 | d=25 | H=30,6 |
| Front Piston Ø44 Ate Type | | |
| OPEL | | |



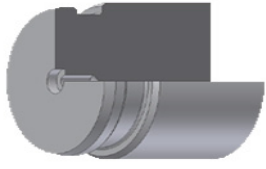
| | | |
|-------------------------------------|--------|------|
| P-443002 | | |
| D=44 | d=27,5 | H=30 |
| Front Piston Ø44 Brembo (Aluminium) | | |
| OPEL ASTRA, INSIGNIA, SAAB 9.5 | | |




| | | |
|-----------------|-----|------|
| P-443003 | | |
| D=44 | d=0 | H=30 |
| SKODA S100-S110 | | |



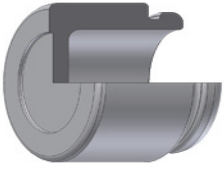
| | | |
|--|------|------|
| P-443201 | | |
| D=44 | d=27 | H=32 |
| Front Piston Ø44 Brem/Ate (Aluminium) | | |
| BMW 5, 7, 8 SERIES; MERCEDES C-CLASS, CLK, CLS, E-CLASS, M-CLASS | | |



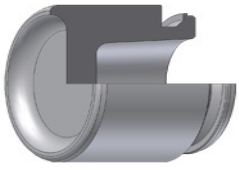
| | | |
|-------------------------------------|-----|------|
| P-443202 | | |
| D=44 | d=6 | H=32 |
| Front Piston Ø44 Brembo (Aluminium) | | |
| JAGUAR, MERCEDES, NISSAN, VW | | |



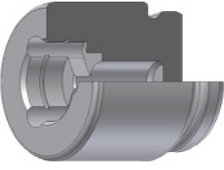
| | | |
|---------------------------------|------|--------|
| P-443301 | | |
| D=44 | d=32 | H=32,5 |
| Front Piston Ø44 Girling Type | | |
| VW PASSAT, GOLF, JETTA, SIROCCO | | |



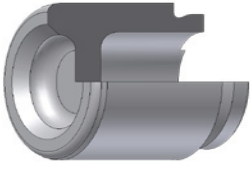
| | | |
|--|--------|--------|
| P-443401 | | |
| D=44 | d=29,5 | H=34,6 |
| Front Piston Ø43 Perrot/Brembo Type | | |
| IVECO DAILY; MERCEDES G-CLASS, T1, T1/TN | | |



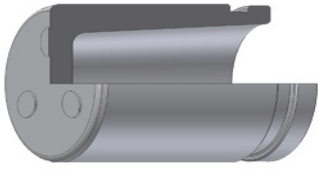
| | | |
|-----------------------------|------|--------|
| P-443501 | | |
| D=44 | d=27 | H=35,2 |
| Front Piston Ø44 Lucas Type | | |
| MERCEDES S-CLASS | | |



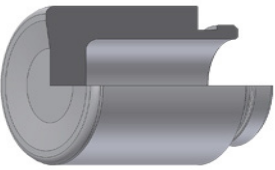
| | | |
|------------------------------|------|------|
| P-443502 | | |
| D=44 | d=22 | H=35 |
| Front Piston Ø44 Perrot Type | | |
| MERCEDES | | |



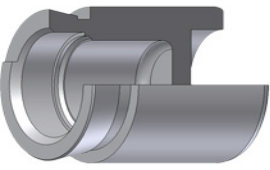
| | | |
|-------------------------------------|------|------|
| P-443701 | | |
| D=44 | d=25 | H=37 |
| Front Piston Ø44 Ate Type | | |
| MERCEDES G-CLASS, T1, T1/TN, T2/LN1 | | |



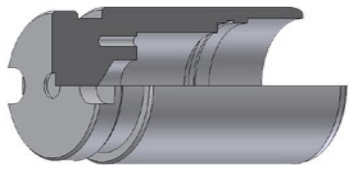
| | | |
|-------------------------------|------|--------|
| P-444501 | | |
| D=44 | d=29 | H=45,8 |
| Rear Piston Ø 44 Akebono Type | | |
| MITSUBISHI PAJERO, MONTERO | | |



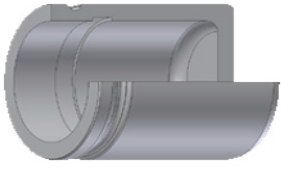
| | | |
|-------------------------------|------|--------|
| P-444502 | | |
| D=44 | d=25 | H=45,5 |
| Front Piston Ø44 Akebono Type | | |
| TOYOTA F MODEL, PREVIA | | |



| | | |
|---|------|--------|
| P-444601 | | |
| D=44 | d=30 | H=46,5 |
| Front Piston Ø44 Ate Type | | |
| AUDI 80, 90; VW GOLF, JETTA, PASSAT, POLO | | |



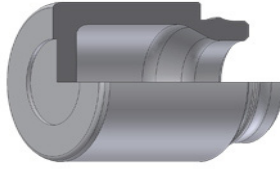
| | | |
|------------------------------|------|------|
| P-444602 | | |
| D=44,3 | d=35 | H=46 |
| Rear Piston Ø44 Akebono Type | | |
| TOYOTA MR2 | | |



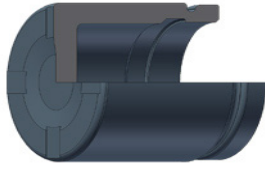
| | | |
|--------------------------|------|--------|
| P-444701 | | |
| D=44 | d=34 | H=47,5 |
| Rear Piston Ø44 K/H Type | | |
| MERCEDES M-CLASS | | |



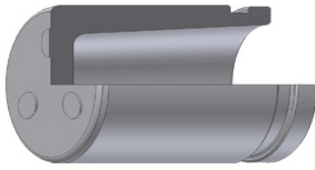
| | | |
|-----------------------------|------|------|
| P-444801 | | |
| D=44 | d=36 | H=48 |
| Rear Piston Ø44 Advics Type | | |
| LEXUS GS | | |



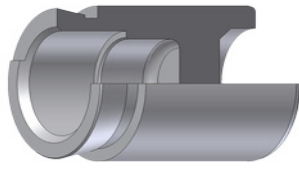
| | | |
|--------------------------------|------|--------|
| P-445001 | | |
| D=44 | d=23 | H=50,8 |
| Front Piston Ø44 Aisin Type | | |
| LEXUS GS, IS, LS; TOYOTA SUPRA | | |



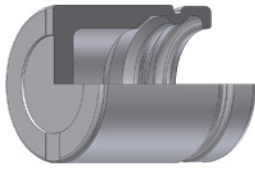
| | | |
|----------------------------------|------|--------|
| P-445002 | | |
| D=44 | d=30 | H=50,5 |
| Front Piston Ø44 Ate (Aluminium) | | |
| BMW X5, X6 | | |



| | | |
|-------------------------------|------|--------|
| P-445201 | | |
| D=44 | d=34 | H=52,4 |
| Front Piston Ø43 Akebono Type | | |
| NISSAN X-TRAIL | | |



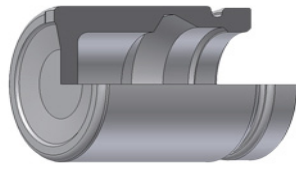
| | | |
|--|------|------|
| P-445301 | | |
| D=44 | d=29 | H=53 |
| Front Piston Ø44 Ate Type | | |
| AUDI 50 80, 90; VW GOLF, JETTA, PASSAT, SCIROCCO | | |



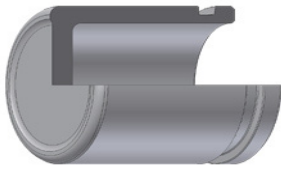
| | | |
|---|------|--------|
| P-445501 | | |
| D=44 | d=32 | H=55,5 |
| Front Piston Ø44 Ate Type | | |
| AUDI, BMW, MERCEDES, PORSCHE, VOLVO, VW | | |



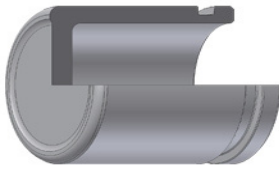
| | | |
|------------------------------|------|------|
| P-445502 | | |
| D=44 | d=35 | H=55 |
| Front Piston Ø44 Brembo Type | | |
| IVECO DAILY | | |



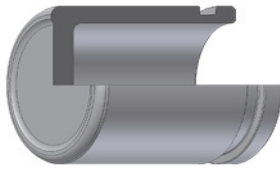
| | | |
|---------------------------|------|------|
| P-445601 | | |
| D=44 | d=25 | H=56 |
| Front Piston Ø44 Ate Type | | |
| MERCEDES E-CLASS, S-CLASS | | |



| | | |
|--|------|--------|
| P-445701 | | |
| D=44 | d=35 | H=57,5 |
| Front Piston Ø44 Brembo Type | | |
| CITROËN JUMPER, FIAT DUCATO, PEUGEOT BOXER | | |



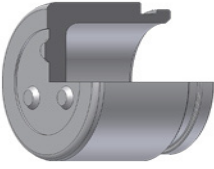
| | | |
|---|------|------|
| P-446101 | | |
| D=44 | d=35 | H=61 |
| Front/Rear Piston Ø44 Brembo Type | | |
| IVECO DAILY; RENAULT MASCOTT; NISSAN CABSTAR, ATLAS | | |



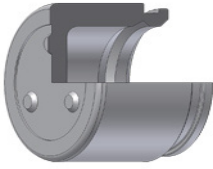
| | | |
|-----------------------------------|------|------|
| P-446301 | | |
| D=44 | d=35 | H=63 |
| Front/Rear Piston Ø44 Perrot Type | | |
| MERCEDES SPRINTER; VW LT SERIES | | |



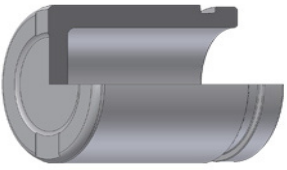
| | | |
|--------------------------------------|------|--------|
| P-452601 | | |
| D=45 | d=32 | H=26,5 |
| Front Piston Ø45 Citroen (Aluminium) | | |
| CITROEN LNA, VISA, C15 | | |



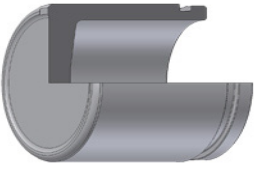
| | | |
|--------------------------------|------|------|
| P-452901 | | |
| D=45 | d=34 | H=29 |
| Front Piston Ø45 Sumitomo Type | | |
| TOYOTA LAND CRUISER, 4-RUNNER | | |



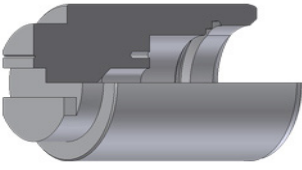
| | | |
|--------------------------------|------|--------|
| P-453102 | | |
| D=45 | d=32 | H=31,5 |
| Front Piston Ø45 Sumitomo Type | | |
| LEXUS, MITSUBISHI, TOYOTA | | |



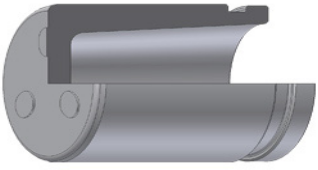
| | | |
|--|------|------|
| P-454501 | | |
| D=45 | d=37 | H=45 |
| Front Piston Ø45 Bendix Type | | |
| RENAULT CLIO, EXPRESS, R4, R5, R6, SUPER 5, TWINGO | | |



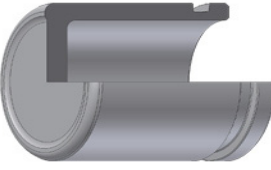
| | | |
|------------------------------|------|--------|
| P-454502 | | |
| D=45 | d=36 | H=45,5 |
| Front Piston Ø45 Toyota Type | | |
| NISSAN MICRA | | |



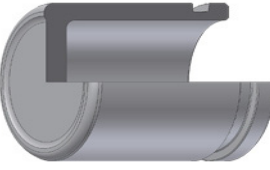
| | | |
|-----------------------------|------|--------|
| P-454503 | | |
| D=45 | d=33 | H=45,5 |
| Rear Piston Ø45 Bendix Type | | |
| TALBOT MATRA, MURENA | | |



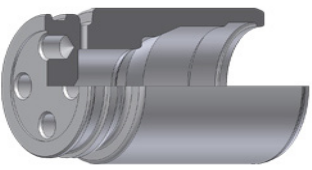
| | | |
|---|------|------|
| P-454601 | | |
| D=45 | d=34 | H=46 |
| Front Piston Ø45 Sumitomo Type | | |
| MITSUBISHI GRANDIS, PAJERO, MONTERO, SHOGUN | | |



| | | |
|--------------------------------|------|------|
| P-454801 | | |
| D=45 | d=36 | H=48 |
| Front Piston Ø45 Lucas Type | | |
| CHEVROLET, RENAULT, LAND ROVER | | |



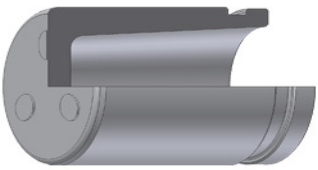
| | | |
|-----------------------------|------|------|
| P-454802 | | |
| D=45 | d=35 | H=48 |
| Front Piston Ø45 Lucas Type | | |
| RENAULT 4,5,6 | | |



| | | |
|-------------------------------|------|--------|
| P-454901 | | |
| D=45 | d=29 | H=49,7 |
| Rear Piston Ø45 Ate Type | | |
| JAGUAR XJ, XJS, XF, XK SERIES | | |



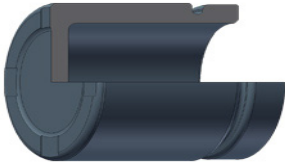
| | | |
|---|------|------|
| P-454902 | | |
| D=45 | d=34 | H=49 |
| Front Piston Ø45 Mando Type | | |
| HYUNDAI SANTA FE, GENESIS; KIA SORENTO; OPEL ANTARA | | |



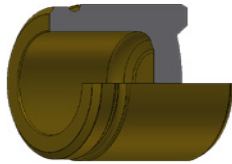
| | | |
|---|------|------|
| P-454903 | | |
| D=45 | d=34 | H=49 |
| Rear Piston Ø45 Sumit. Type | | |
| TOYOTA LAND CRUISER, FJ CRUISER, 4-RUNNER | | |



CALIPER PISTONS

| | | |
|----------------------------------|--------|--------|
| P-455001 | | |
| D=45 | d=33,5 | H=50,3 |
| Front Piston Ø45 Ate (Aluminium) | | |
| CITROËN AX, SAXO; PEUGEOT 106 | | |

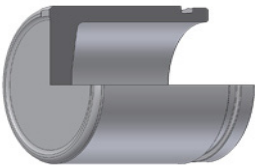


OEM: PHENOLIC WRACKYNSON: STEEL

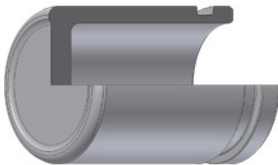
| | | |
|--------------------------------------|--------|------|
| P-455002 | | |
| D=45 | d=28,5 | H=50 |
| Front Piston Ø45 Ate (Phenolic) | | |
| JAGUAR S-TYPE, XJ SERIES, XJS SERIES | | |



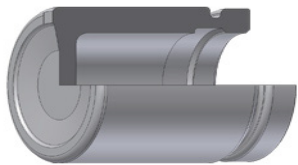
| | | |
|---|------|------|
| P-455101 | | |
| D=45 | d=36 | H=51 |
| Front Piston Ø 45 Bosch Type | | |
| NISSAN INTERSTART; OPEL MOVANO; RENAULT MASTER, TRAFIC | | |




| | | |
|--|------|------|
| P-455102 | | |
| D=45 | d=37 | H=51 |
| Front Piston Ø45 Nissan Type | | |
| NISSAN NAVARA, MURANO, PATHFINDER; RENAULT KOLEOS | | |



| | | |
|--|------|------|
| P-455301 | | |
| D=45 | d=37 | H=53 |
| Front Piston Ø45 Lucas Type | | |
| AUDI, CITROËN, FIAT, LAND ROVER, NISSAN, OPEL, PEUGEOT, RENAULT | | |

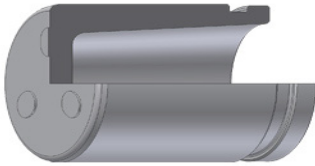


| | | |
|---------------------------------|------|--------|
| P-455302 | | |
| D=45 | d=30 | H=53,1 |
| Rear Piston Ø5 Ate Type | | |
| MERCEDES SPRINTER, VW LT SERIES | | |

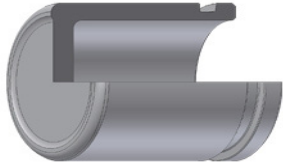


OEM: PHENOLIC WRACKYNSON: STEEL

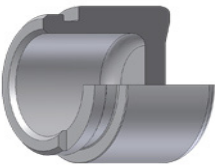
| | | |
|-------------------------------------|--------|--------|
| P-455303 | | |
| D=45 | d=25,5 | H=53,6 |
| Front piston Ø45 Akebono (Phenolic) | | |
| ISUZU D-MAX, HOLDEN RODEO | | |



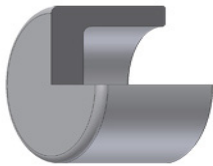
| | | |
|--|------|------|
| P-455304 | | |
| D=45 | d=34 | H=53 |
| Front/Rear Piston Ø45 Sumitomo Type | | |
| TOYOTA LAND CRUISER; MAZDA CX-7, CX-9; LEXUS LX | | |



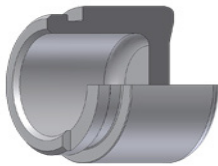
| | | |
|-----------------------------|------|--------|
| P-455601 | | |
| D=45 | d=35 | H=56,3 |
| Front piston Ø45 Bosch Type | | |
| MERCEDES SPRINTER | | |



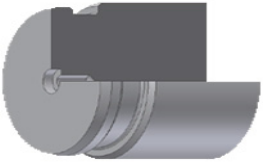
| | | |
|-------------------------------|------|--------|
| P-462901 | | |
| D=46 | d=30 | H=29,1 |
| Rear Piston Ø46 Ate Type | | |
| MERCEDES E-CLASS, S-CLASS, SL | | |



| | | |
|---|------|--------|
| P-463001 | | |
| D=46 | d=36 | H=30,7 |
| Front/Rear Piston Ø46 AP Type | | |
| DAF SERPHE, V200, V400; FORD TRANSIT; LAND ROVER 90-110 DEFENDER | | |



| | | |
|-----------------------------|------|------|
| P-463002 | | |
| D=46 | d=30 | H=30 |
| Rear Piston Ø46 Bendix Type | | |
| MERCEDES E-CLASS, S-CLASS | | |



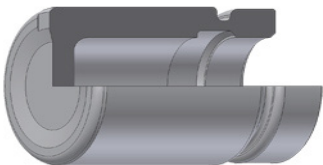
| | | |
|-------------------------------------|-----|------|
| P-463201 | | |
| D=46 | d=4 | H=32 |
| Front Piston Ø46 Brembo (Aluminium) | | |
| LAND ROVER RANGE ROVER, VW TOUAREG | | |



| | | |
|---|------|--------|
| P-464601 | | |
| D=46 | d=31 | H=46,5 |
| Front Piston Ø46 Kasco Type | | |
| HYUNDAI H100; KIA CARNIVAL, PREGIO, SORENTO | | |



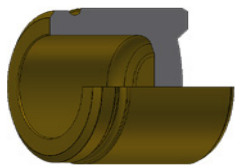
| | | |
|-----------------------------|------|------|
| P-464701 | | |
| D=46 | d=31 | H=47 |
| Front Piston Ø46 Kasco Type | | |
| KIA SORENTO | | |



| | | |
|--------------------------|------|------|
| P-464801 | | |
| D=46 | d=30 | H=48 |
| Rear Piston Ø46 Ate Type | | |
| BMW 3, 5, 6, 7 SERIES | | |



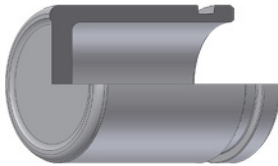
| | | |
|--|------|------|
| P-465101 | | |
| D=46 | d=37 | H=51 |
| Front Piston Ø45 Nissan type | | |
| NISSAN KING CAB, NAVARA, PATHFINDER, PICK-UP | | |



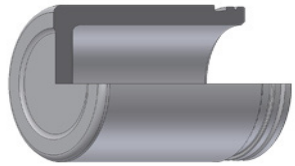
| | | |
|----------------------------------|------|------|
| P-465102 | | |
| D=46 | d=28 | H=51 |
| Front Piston Ø46 Ford (Phenolic) | | |
| FORD EXPLORER | | |



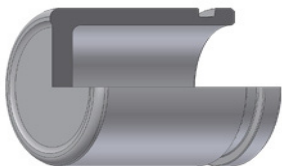
| | | |
|-----------------------------|------|------|
| P-465103 | | |
| D=46 | d=37 | H=51 |
| Front Piston Ø46 Kasco Type | | |
| HYUNDAI ix55 | | |



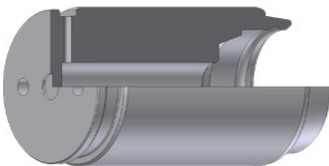
| | | |
|--|------|--------|
| P-465601 | | |
| D=46 | d=33 | H=56,6 |
| Front Piston Ø46 Brembo Type | | |
| CITROËN JUMPER, FIAT DUCATO, PEUGEOT BOXER | | |



| | | |
|--|------|------|
| P-465801 | | |
| D=46 | d=37 | H=58 |
| Front Piston Ø46 Brembo Type | | |
| CITROËN JUMPER, FIAT DUCATO, PEUGEOT BOXER | | |




| | | |
|--|------|--------|
| P-465901 | | |
| D=46 | d=37 | H=59,5 |
| Rear Piston Ø46 Brembo Type | | |
| CITROËN, FIAT, IVECO, PEUGEOT, RENAULT | | |




| | | |
|-----------------------------|------|------|
| P-466601 | | |
| D=46 | d=26 | H=66 |
| Rear Piston Ø46 Brembo Type | | |
| NISSAN CABSTAR/ATLAS | | |



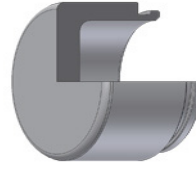
| | | |
|-------------------------------------|------|------|
| OEM: PHENOLIC WRAKYNSON: STEEL | | |
| P-475901 | | |
| D=47,5 | d=26 | H=59 |
| Front Piston Ø46 Akebono (Phenolic) | | |
| JEEP GRAND CHEROKEE | | |



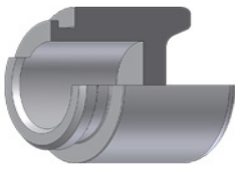
| | | |
|---|------|------|
| P-482901 | | |
| D=48 | d=37 | H=29 |
| Front Piston Ø48 Ate/Lucas/Tokico | | |
| BMW, FORD, HONDA, JAGUAR, NISSAN, OPEL, PEUGEOT, RENAULT, TALBOT, VOLVO | | |



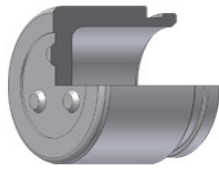
| | | |
|--|------|------|
| P-482902 | | |
| D=48 | d=31 | H=29 |
| Front Piston Ø48 Tokico Type | | |
| HONDA CIVIC; NISSAN CHERRY, SUNNY, PULSAR, 100NX | | |



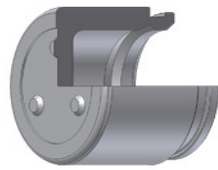
| | | |
|------------------------------|------|------|
| P-482903 | | |
| D=48 | d=31 | H=29 |
| Front Piston Ø48 Bendix Type | | |
| TALBOT HORIZON | | |



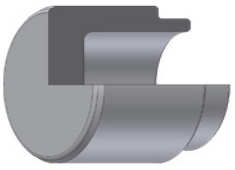
| | | |
|--|------|------|
| P-483001 | | |
| D=48 | d=32 | H=30 |
| Front Piston Ø48 Ate Type | | |
| ALFA ROMEO, AUDI, BMW, FORD; OPEL, PORSCHE, SAAB, TALBOT | | |



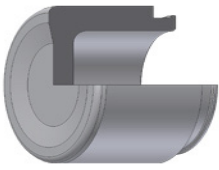
| | | |
|--------------------------------|------|--------|
| P-483101 | | |
| D=48 | d=37 | H=31,5 |
| Front Piston Ø48 Sumitomo Type | | |
| TOYOTA LAND CRUISER | | |



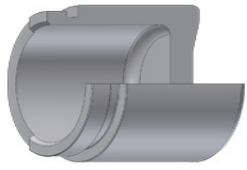
| | | |
|--------------------------------|--------|--------|
| P-483102 | | |
| D=48 | d=34,5 | H=31,5 |
| Front Piston Ø48 Sumitomo Type | | |
| LEXUS LX, TOYOTA LAND CRUISER | | |



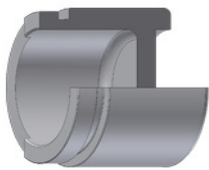
| | | |
|--|------|------|
| P-483301 | | |
| D=48 | d=32 | H=33 |
| Front Piston Ø48 Lada Type | | |
| LADA NOVA, RIVA, 1200-1300-1500-1600, 2101-2102-2103-2104-2105 | | |



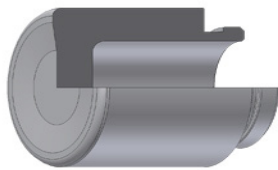
| | | |
|-----------------------------|--------|------|
| P-484201 | | |
| D=48 | d=39,5 | H=42 |
| Front Piston Ø48 Aisin Type | | |
| SUZUKI SWIFT | | |



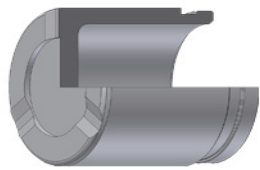
| | | |
|-----------------------------|------|--------|
| P-484301 | | |
| D=48 | d=36 | H=43,5 |
| Front Piston Ø48 Delco Type | | |
| ALFA ROMEO, OPEL | | |



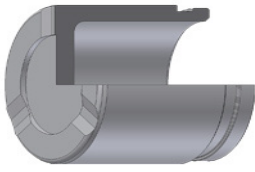
| | | |
|---|------|--------|
| P-484401 | | |
| D=48 | d=35 | H=44,4 |
| Front Piston Ø48 Ate Type | | |
| OPEL ASCONA, COMBO, CORSA, KADETT, MANTA, VECTRA, REKORD, SENATOR | | |



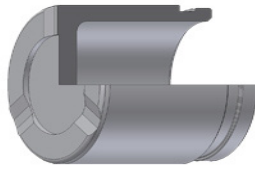
| | | |
|---|--------|------|
| P-484402 | | |
| D=48 | d=34,5 | H=44 |
| Front Piston Ø48 Bendix Type | | |
| ALFA, CITROËN, PEUGEOT, RENAULT, TALBOT | | |



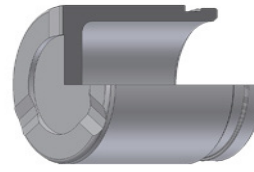
| | | |
|--|--------|--------|
| P-484403 | | |
| D=48 | d=38,3 | H=44,5 |
| Front Piston Ø48 Akeb/Toyota/Nih | | |
| NISSAN SUNNY, PULSAR, 100NX; SUBARU MINI JUMBO; TOYOTA PASEO | | |



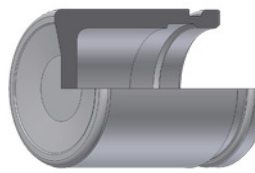
| | | |
|------------------------------|--------|------|
| P-484501 | | |
| D=48 | d=39,5 | H=45 |
| Front Piston Ø48 Bendix Type | | |
| MERCEDES MB 100 | | |



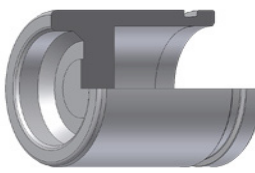
| | | |
|--------------------------------|--------|------|
| P-484502 | | |
| D=48 | d=39,5 | H=45 |
| Front Piston Ø48 Sumitomo Type | | |
| KIA PRIDE, MAZDA 121 | | |



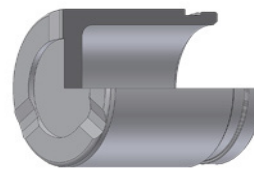
| | | |
|-------------------------------------|--------|--------|
| P-484503 | | |
| D=48 | d=38,3 | H=45,5 |
| Front Piston Ø48 Sumit./Toyota Type | | |
| TOYOTA COROLLA, IQ, STARLET | | |



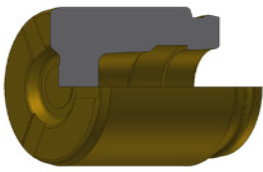
| | | |
|-----------------------------|--------|--------|
| P-484601 | | |
| D=48 | d=36,5 | H=46,6 |
| Front Piston Ø48 Bosch Type | | |
| SEAT AROSA | | |



| | | |
|---|------|--------|
| P-484602 | | |
| D=48 | d=38 | H=46,6 |
| Front Piston Ø48 Ate Type | | |
| SEAT CORDOBA, IBIZA; VW GOLF, JETTA, POLO | | |



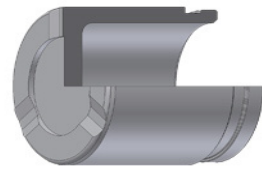
| | | |
|--|--------|------|
| P-484701 | | |
| D=48 | d=38,3 | H=47 |
| Front Piston Ø48 Bendix Type | | |
| FIAT, FORD, LANCIA, OPEL, SUBARU, SUZUKI | | |



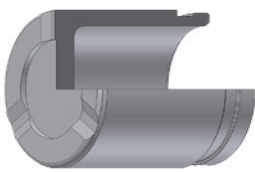
| | | |
|--|------|--------|
| P-484703 | | |
| D=48 | d=23 | H=47,3 |
| Front/Rear Piston Ø48 K/H (Phenolic) | | |
| FORD EXPLORER; JEEP CHEROKEE, GRAND CHEROKEE, WRANGLER | | |



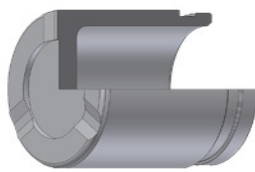
| | | |
|--------------------------------|------|--------|
| P-484801 | | |
| D=48 | d=34 | H=48,8 |
| Front Piston Ø48 Teves Type | | |
| CITROËN, DAEWOO, OPEL, PEUGEOT | | |



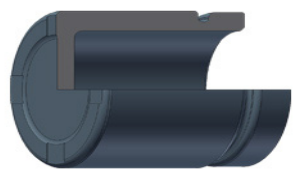
| | | |
|---------------------------|--------|------|
| P-484802 | | |
| D=48 | d=38,3 | H=48 |
| Front Piston Ø48 Ate Type | | |
| ALFA, BMW, SUZUKI | | |



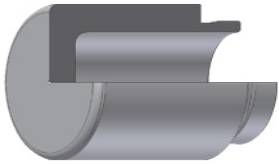
| | | |
|--|--------|--------|
| P-484803 | | |
| D=48 | d=39,5 | H=48,5 |
| Front/Rear Piston Ø48 Tok/Nis/Sum. | | |
| NISSAN, SUBARU, SUZUKI, MITSUBISHI, NISSAN, TOYOTA | | |



| | | |
|---|--------|--------|
| P-484804 | | |
| D=48 | d=38,5 | H=48,5 |
| Front Piston Ø48 Dac Type | | |
| CHEVROLET LANOS, MATIZ; DAEWOO LANOS, MATIZ | | |



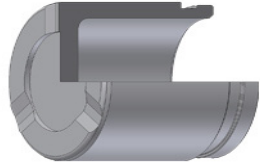
| | | |
|----------------------------------|--------|--------|
| P-484805 | | |
| D=48 | d=32,5 | H=48,3 |
| Front Piston Ø48 Ate (Aluminium) | | |
| AUDI A2, VW LUPO | | |



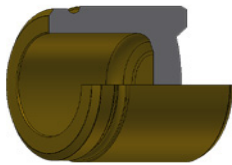
| | | |
|-------------------------------------|--------|------|
| P-484806 | | |
| D=48 | d=36,5 | H=48 |
| Front Piston Ø48 Lucas Type | | |
| LANCIA, RENAULT, SAAB, SEAT, SUZUKI | | |



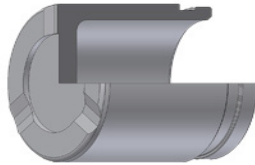
| | | |
|-----------------------------|--------|--------|
| P-484901 | | |
| D=48 | d=38,3 | H=49,7 |
| Front Piston Ø48 Lucas Type | | |
| FIAT, LANCIA, NISSAN, ROVER | | |



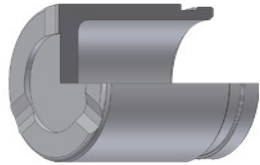
| | | |
|-----------------------------|--------|------|
| P-484902 | | |
| D=48 | d=39,5 | H=49 |
| Front Piston Ø48 Bosch Type | | |
| CITROËN, PEUGEOT, RENAULT | | |



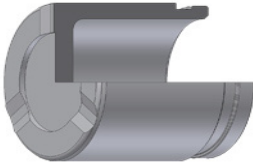
| | | |
|---------------------------------------|--------|--------|
| P-484904 | | |
| D=48 | d=29,5 | H=49,5 |
| Rear Piston Ø48 Lucas Type (Phenolic) | | |
| JEEP CHEROKEE, WRANGLER | | |



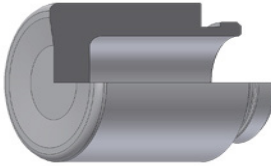
| | | |
|--------------------|------|------|
| P-484905 | | |
| D=48 | d=38 | H=49 |
| Front Piston Ø48 | | |
| LADA SAMARA, FORMA | | |



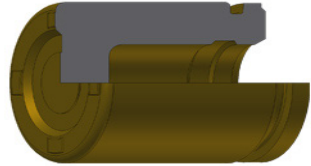
| | | |
|--------------------------------------|--------|------|
| P-485001 | | |
| D=48 | d=39,5 | H=50 |
| Front Piston Ø48 Bendix Type | | |
| CITROËN, FIAT, FORD, NISSAN, PEUGEOT | | |



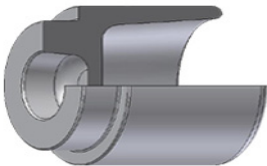
| | | |
|---|--------|--------|
| P-485002 | | |
| D=48 | d=39,5 | H=50,5 |
| Front Piston Ø48 Bosch Type | | |
| CITROËN, NISSAN, OPEL, PEUGEOT, RENAULT, SEAT, SUBARU, SUZUKI | | |



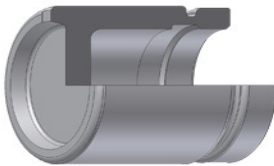
| | | |
|---|--------|------|
| P-485003 | | |
| D=48 | d=34,5 | H=50 |
| Front Piston Ø48 Bendix Type | | |
| FIA, LANCIA, POLSKI, SEAT, ZASTAVA YUGO | | |



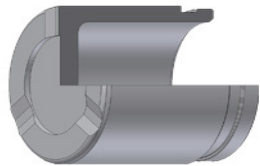
| | | |
|---------------------------------|------|--------|
| P-485004 | | |
| D=48 | d=24 | H=50,5 |
| Rear Piston Ø48 Type (Phenolic) | | |
| MERCEDES SUV; JEEP CHEROKEE | | |



| | | |
|------------------------------|--------|------|
| P-485005 | | |
| D=48 | d=40,5 | H=50 |
| Front Piston Ø48 Bendix Type | | |



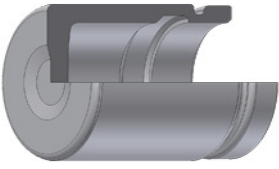
| | | |
|--|------|------|
| P-485101 | | |
| D=48 | d=34 | H=51 |
| Front Piston Ø48 Teves Type | | |
| FIAT DUNA, FIORINO, PALIO; FORD, FIESTA, KA; MAZDA 121 | | |



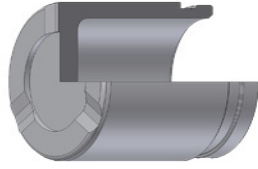
| | | |
|-----------------------------|--------|------|
| P-485102 | | |
| D=48 | d=38,5 | H=51 |
| Front Piston Ø48 Lucas Type | | |
| ALFA, FIAT, HYUNDAI, LANCIA | | |



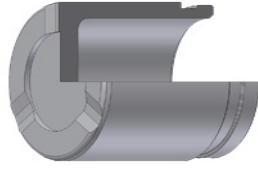
CALIPER PISTONS

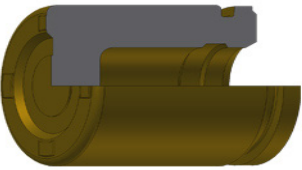
| | | |
|---------------------------------------|------|--------|
| P-485201 | | |
| D=48 | d=37 | H=52,7 |
| Front Piston Ø48 Ate Type | | |
| FIAT PUNTO; LANCIA Y10, A112, FIRE LX | | |



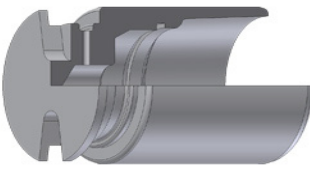
| | | |
|------------------------------------|--------|--------|
| P-485202 | | |
| D=48 | d=38,5 | H=52,8 |
| Front/Rear Piston Ø48 Sum/Nissan | | |
| NISSAN PATROL, TOYOTA LAND CRUISER | | |



| | | |
|---|--------|--------|
| P-485203 | | |
| D=48 | d=38,5 | H=52,5 |
| Front Piston Ø48 Bosch Type | | |
| CITROEN C1, FORD TRANSIT, PEUGEOT 107, TOYOTA AYGO, VW AMAROK | | |



| | | |
|--------------------------------------|------|------|
| P-485204 | | |
| D=48 | d=24 | H=52 |
| Front/Rear Piston Ø48 Ate (Phenolic) | | |
| JEEP GRAND CHEROKEE | | |

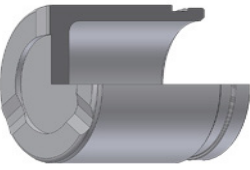


| | | |
|----------------------------|------|------|
| P-485205 | | |
| D=48 | d=38 | H=52 |
| Rear Piston Ø48 Bosch Type | | |
| FORD TRANSIT | | |

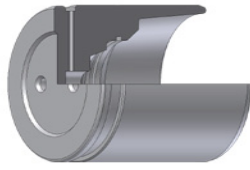


OEM: PHENOLIC WRACKYNSON: STEEL

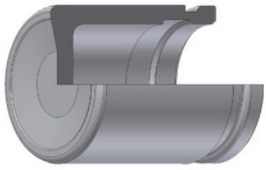
| | | |
|-------------------------------|------|--------|
| P-485206 | | |
| D=48 | d=30 | H=52,4 |
| Front/Rear Ø48 K/H (Phenolic) | | |
| JEEP GRAND CHEROKEE | | |



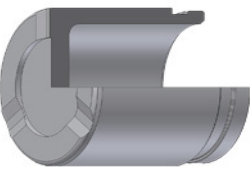
| | | |
|---|--------|--------|
| P-485302 | | |
| D=48 | d=38,5 | H=53,6 |
| Front Piston Ø48 Lucas Type | | |
| AUDI, CITROËN, DACIA, FIAT, LADA, LAND ROVER, PEUGEOT, RENAULT, ISUZU, VW | | |



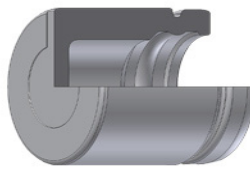
| | | |
|---|------|--------|
| P-485303 | | |
| D=48 | d=43 | H=53,5 |
| Rear Piston Ø48 Brembo Type | | |
| NISSAN NV400, OPEL MOVANO, RENAULT MASTER | | |



| | | |
|---------------------------------|--------|--------|
| P-485401 | | |
| D=48 | d=36,5 | H=54,6 |
| Front Piston Ø48 Bosch/Ate Type | | |
| SEAT; SKODA; VW | | |



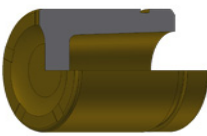
| | | |
|---------------------------|--------|--------|
| P-485501 | | |
| D=48 | d=38,5 | H=55,2 |
| Front Piston Ø48 Ate Type | | |
| SEAT, VW | | |



| | | |
|----------------------------|--------|--------|
| P-485502 | | |
| D=48 | d=36,2 | H=55,5 |
| Front Piston Ø48 Ate Type | | |
| FORD FIESTA, KA; MINI MINI | | |



| | | |
|--|------|------|
| P-485503 | | |
| D=48 | d=37 | H=55 |
| Front Piston Ø48 Lucas Type | | |
| VW CADDY, GOLF, JETTA, PASSAT, SANTANA, SCIROCCO | | |



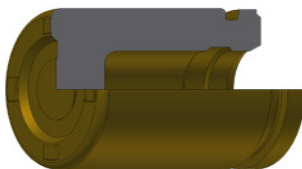
OEM: PHENOLIC WRACKYNSON: STEEL

P-485504

| | | |
|------|------|------|
| D=48 | d=30 | H=55 |
|------|------|------|

Front Piston Ø48 Lucas (Phenolic)

OPEL CORSA, COMBO



P-485505

| | | |
|------|--------|--------|
| D=48 | d=25,5 | H=55,5 |
|------|--------|--------|

Front Piston Ø48 Type (Phenolic)

MERCEDES SUV, JEEP CHEROKEE




P-485506

| | | |
|------|------|--------|
| D=48 | d=38 | H=55,5 |
|------|------|--------|

Front Piston Ø48 Brembo Type

NISSAN NV400, OPEL MOVANO, RENAULT MASTER



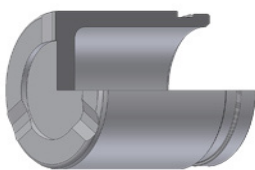
OEM: PHENOLIC WRACKYNSON: STEEL

P-485601

| | | |
|------|--------|--------|
| D=48 | d=25,5 | H=56,7 |
|------|--------|--------|

Front Piston Ø48 Ate (Phenolic)

OPEL ASTRA G SERIES

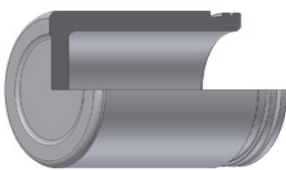


P-485701

| | | |
|------|--------|--------|
| D=48 | d=38,5 | H=57,5 |
|------|--------|--------|

Front Piston Ø48 Brembo Type

CITROEN JUMPER, FIAT DUCATO, PEUGEOT BOXER

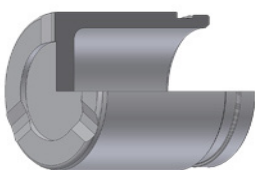


P-485901

| | | |
|------|------|--------|
| D=48 | d=38 | H=59,5 |
|------|------|--------|

Front Piston Ø48 Brembo Type

IVECO DAILY; MERCEDES SPRINTER, VITO; NISSAN ATLAS, CABSTAR; VW

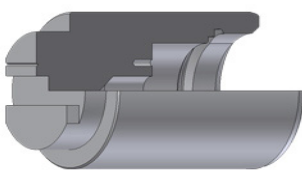


P-486001

| | | |
|------|--------|--------|
| D=48 | d=38,5 | H=60,5 |
|------|--------|--------|

Front Piston Ø48 Bosch Type

MERCEDES VIANO, VITO, SPRINTER; VW CRAFTER



P-486301

| | | |
|------|------|--------|
| D=48 | d=33 | H=63,5 |
|------|------|--------|

Front Piston Ø48 Bosch Type

PEUGEOT J7, J9




P-486401

| | | |
|------|--------|------|
| D=48 | d=38,5 | H=64 |
|------|--------|------|

Rear Piston Ø48 Brembo Type

IVECO DAILY

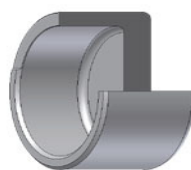


P-503801

| | | |
|------|------|------|
| D=50 | d=22 | H=38 |
|------|------|------|

Rear Piston Ø50 Perrot Type

IVECO DAILY I

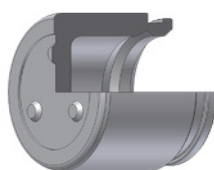


P-512801

| | | |
|------|--------|--------|
| D=51 | d=41,8 | H=28,3 |
|------|--------|--------|

Front Piston Ø51 AP Type

AUTHI MORRIS MINI; ROVER MINI 850, 1000, 1300, TRIUMPH

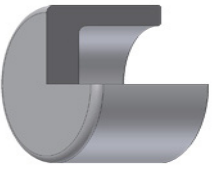


P-513101

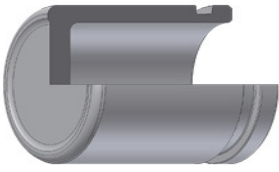
| | | |
|------|--------|--------|
| D=51 | d=37,5 | H=31,5 |
|------|--------|--------|

Front Piston Ø51 Sumitomo Type

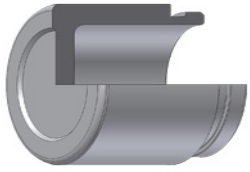
LEXUS LX, TOYOTA LAND CRUISER



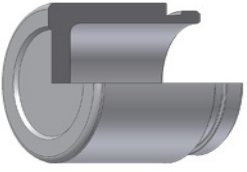
| | | |
|--|--------|------|
| P-513901 | | |
| D=51 | d=41,8 | H=39 |
| Front Piston Ø51 Akenono Type | | |
| NISSAN A10, BLUEBIRD, LAUREL; SAAB 95,96 | | |



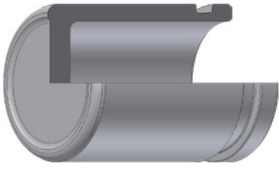
| | | |
|--|--------|------|
| P-514201 | | |
| D=51 | d=42,5 | H=42 |
| Front Piston Ø51 Aisin Type | | |
| SUZUKI JIMMY, SJ410, SJ413, SAMURAI, SWIFT,WAGON | | |



| | | |
|--|------|--------|
| P-514202 | | |
| D=51 | d=39 | H=42,5 |
| Front Piston Ø51 Ake Type | | |
| NISSAN PRAIRE, SENTRA , SUNNY, VANETTE | | |



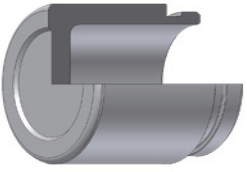
| | | |
|---------------------------|------|--------|
| P-514301 | | |
| D=51 | d=37 | H=43,8 |
| Front Piston Ø51 Nih Type | | |
| HONDA CIVIC | | |



| | | |
|--|------|--------|
| P-514401 | | |
| D=51 | d=40 | H=44,5 |
| Front Ø51 Nih/Lucas/Man/Tokic | | |
| HONDA, HYUNDAI, KIA, ROVER, SUBARU, SUZUKI | | |



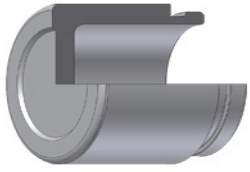
| | | |
|--|------|--------|
| P-514402 | | |
| D=51 | d=43 | H=44,8 |
| Front Piston Ø51 Tokico Type | | |
| DAIHATSU COPEN, SIRION, YRV; MITSUBISHI i; SUBARU JUSTY, IGNIS | | |



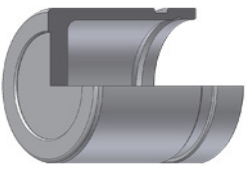
| | | |
|---|------|--------|
| P-514403 | | |
| D=51 | d=37 | H=44,2 |
| Front Piston Ø51 Akebono Type | | |
| DAIHATSU CHARMANT; TOYOTA CARINA, CELICA, COROLLA, CORONA | | |



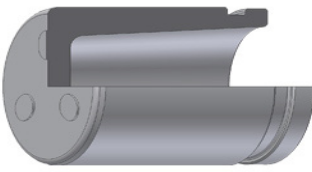
| | | |
|--------------------------------|--------|------|
| P-514501 | | |
| D=51 | d=42,5 | H=45 |
| Front Piston Ø51 Aisin Type | | |
| TOYOTA MR2, YARIS, YARIS VERSO | | |



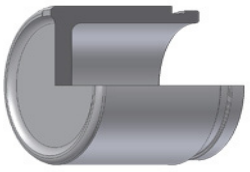
| | | |
|---|------|------|
| P-514502 | | |
| D=51 | d=38 | H=45 |
| Front Piston Ø51 Toyota Type | | |
| TOYOTA CAMRY, CARINA, COROLLA, MR2, STARLET | | |



| | | |
|---|--------|------|
| P-514503 | | |
| D=51 | d=43,3 | H=45 |
| Front Piston Ø51 Sumitomo Type | | |
| DAIHATSU CUORE, HIJET; KIA RIO; MAZDA 121, 323, DEMIO | | |



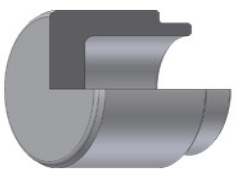
| | | |
|---|------|------|
| P-514504 | | |
| D=51 | d=42 | H=45 |
| Front Piston Ø51 Akebono Type | | |
| DAIHATSU APLAUSE, CHARADE, CUORE; HONDA CIVIC | | |



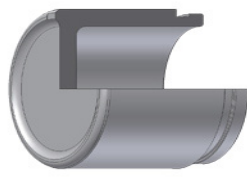
| | | |
|--|------|------|
| P-514505 | | |
| D=51 | d=38 | H=45 |
| Front Piston Ø51 Sumit/Akeb Type | | |
| DAIHATSU, HONDA, HYUNDAI, MITSUBISHI, TOYOTA | | |



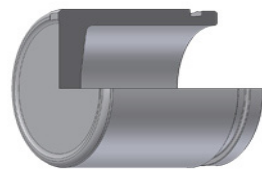
CALIPER PISTONS

| | | |
|-------------------------------|------|------|
| P-514506 | | |
| D=51 | d=31 | H=45 |
| Front Piston Ø51 Akebono Type | | |
| DAIHATSU, MAZDA, TOYOTA | | |



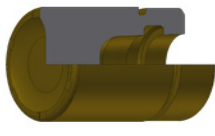
| | | |
|--------------------------------|------|------|
| P-514601 | | |
| D=51 | d=40 | H=46 |
| Front Piston Ø51 Sumitomo Type | | |
| HONDA, KIA, MAZDA, MITSUBISHI | | |



| | | |
|-----------------------------|--------|------|
| P-514801 | | |
| D=51 | d=40,5 | H=48 |
| Front Piston Ø48 Bosch Type | | |
| TOYOTA YARIS | | |

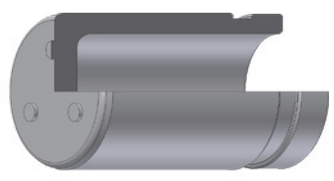


| | | |
|--------------------------------|------|------|
| P-514802 | | |
| D=51 | d=40 | H=48 |
| Rear Piston Ø51 Niss/Akeb Type | | |
| NISSAN PATROL GR1 | | |

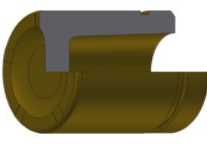


OEM: PHENOLIC WRACKYNSON: STEEL

| | | |
|----------------------------------|--------|--------|
| P-515201 | | |
| D=51 | d=32,5 | H=52,5 |
| Front Piston Ø51 Niss (Phenolic) | | |
| NISSAN | | |

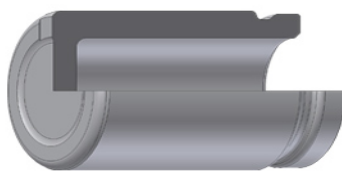


| | | |
|------------------------------|------|------|
| P-515301 | | |
| D=51 | d=43 | H=53 |
| Front Piston Ø51 Tokico Type | | |
| NISSAN PIXO | | |



OEM: PHENOLIC WRACKYNSON: STEEL

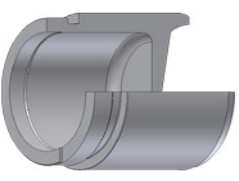
| | | |
|-------------------------------------|------|------|
| P-515501 | | |
| D=51 | d=28 | H=55 |
| Front Piston Ø51 Nissan (Phenolic) | | |
| INFINITY QX56; NISSAN ARMADA, TITAN | | |



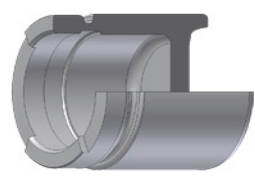
| | | |
|-------------------------------|--------|--------|
| P-516001 | | |
| D=51 | d=42,4 | H=60,5 |
| Rear Piston Ø51 Bosch Type | | |
| MERCEDES SPRINTER, VW CRAFTER | | |



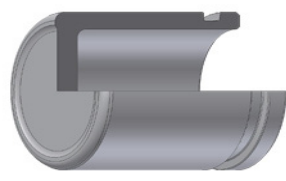
| | | |
|---|------|--------|
| P-524301 | | |
| D=52 | d=38 | H=43,5 |
| Front Piston Ø52 Delco Type | | |
| OPEL ASCONA, MANTA, CORSA, KADETT, REKORD | | |



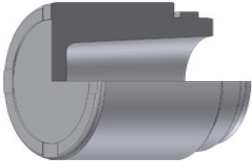
| | | |
|---------------------------|--------|--------|
| P-524401 | | |
| D=52 | d=39,5 | H=44,2 |
| Front Piston Ø52 Ate Type | | |
| OPEL REKORD | | |



| | | |
|---------------------------|------|------|
| P-524801 | | |
| D=52 | d=38 | H=48 |
| Front Piston Ø52 Ate Type | | |
| DAEWOO, OPEL | | |



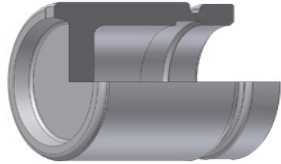
| | | |
|--|--------|--------|
| P-524802 | | |
| D=52 | d=42,4 | H=48,8 |
| Front Piston Ø52 Dac Type | | |
| CHEVROLET AVEO, SPARK; DAEWOO KALOS, LANOS | | |



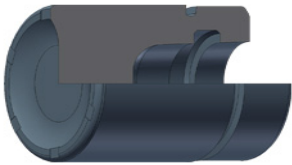
| | | |
|---|------|--------|
| P-525001 | | |
| D=52 | d=30 | H=50,2 |
| Front Piston Ø52 Bendix Type | | |
| MERCEDES MB 100, NISSAN CABSTAR/ATLAS, RENAULT MASTER | | |



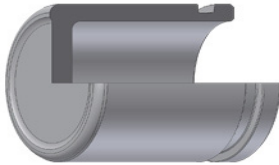
| | | |
|---------------------------------|--------|--------|
| P-525301 | | |
| D=52 | d=42,4 | H=53,7 |
| Front Piston Ø52 Bosch Type | | |
| MERCEDES SPRINTER, VW LT SERIES | | |



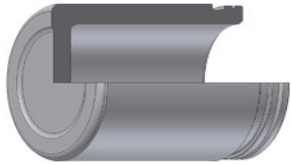
| | | |
|---------------------------------|------|--------|
| P-525302 | | |
| D=52 | d=38 | H=54,2 |
| Rear Piston Ø52 Ate Type | | |
| MERCEDES SPRINTER, VW LT SERIES | | |



| | | |
|--------------------------------------|--------|--------|
| P-525601 | | |
| D=52 | d=25,3 | H=56,8 |
| Front Piston Ø52 Ate Type (Phenolic) | | |
| OPEL ASTRA, ZAFIRA | | |



| | | |
|--|------|--------|
| P-525602 | | |
| D=52 | d=39 | H=56,6 |
| Front Piston Ø52 Brembo Type | | |
| CITROEN JUMPER, FIAT DUCATO, PEUGEOT BOXER | | |



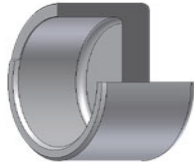
| | | |
|--|--------|------|
| P-525801 | | |
| D=52 | d=42,5 | H=58 |
| Front Piston Ø52 Brembo Type | | |
| CITROEN JUMPER, FIAT DUCATO, PEUGEOT BOXER | | |




| | | |
|--------------------------------------|--------|--------|
| P-526001 | | |
| D=52 | d=42,5 | H=60,5 |
| Front Piston Ø52 Brembo Type | | |
| IVECO, MERCEDES, NISSAN, RENAULT, VW | | |



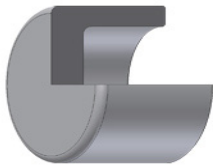
| | | |
|-----------------------------|------|------|
| P-526501 | | |
| D=52 | d=26 | H=65 |
| Rear Piston Ø52 Brembo Type | | |
| IVECO DAILY | | |




| | | |
|--------------------------|------|------|
| P-542801 | | |
| D=54 | d=45 | H=28 |
| Front Piston Ø54 AP Type | | |
| ROVER MG, TRIUMPH | | |



| | | |
|------------------------------------|--------|------|
| P-542901 | | |
| D=54 | d=42,2 | H=29 |
| Front Piston Ø54 Ate/Bdx/Luc Bosch | | |
| FORD, ROVER, TOYOTA | | |



| | | |
|---|------|------|
| P-542902 | | |
| D=54 | d=42 | H=29 |
| Front Piston Ø54 Girling Type | | |
| FORD CORTINA, JAGUAR E-TYPE, ROVER MG, VOLVO AMAZON | | |



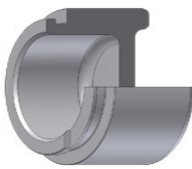
| | | |
|-------------------------------|------|------|
| P-542903 | | |
| D=54 | d=42 | H=29 |
| Front Piston Ø54 Girling Type | | |
| PEUGEOT 504, 505 | | |



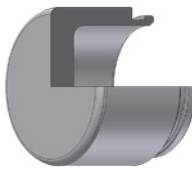
CALIPER PISTONS



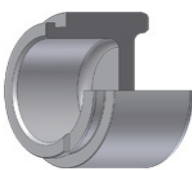

| | | |
|------------------------------|------|--------|
| P-542904 | | |
| D=54 | d=46 | H=29,7 |
| Rear Piston Ø54 Girling Type | | |
| SAAB 90, 900, 99 | | |



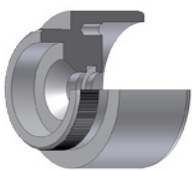
| | | |
|---------------------------|------|--------|
| P-542905 | | |
| D=54 | d=35 | H=29,3 |
| Front Piston Ø54 Ate type | | |
| VW TRANSPORTER | | |




| | | |
|-------------------------------|------|--------|
| P-543201 | | |
| D=54 | d=42 | H=32,5 |
| Front Piston Ø54 Girling Type | | |
| VOLKSWAGEN TRANSPORTER | | |



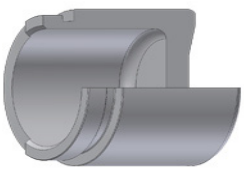
| | | |
|---------------------------|------|------|
| P-543301 | | |
| D=54 | d=35 | H=33 |
| Front Piston Ø54 Ate Type | | |
| VW TRANSPORTER | | |



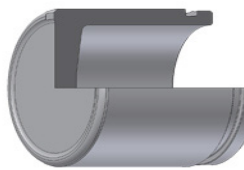
| | | |
|------------------------------|--------|--------|
| P-543302 | | |
| D=54 | d=46,2 | H=33,3 |
| Rear Piston Ø54 Girling Type | | |
| SAAB 90, 900, 99 | | |



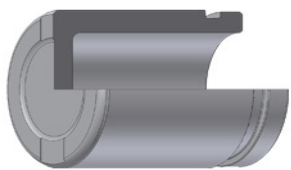
| | | |
|---------------------------------|------|--------|
| P-544201 | | |
| D=54 | d=42 | H=42,5 |
| Front Piston Ø54 Niss/Akeb Type | | |
| NISSAN | | |



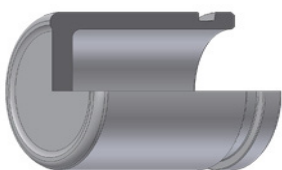
| | | |
|-----------------------------|------|--------|
| P-544301 | | |
| D=54 | d=40 | H=43,5 |
| Front Piston Ø54 Delco Type | | |
| OPEL OMEGA | | |



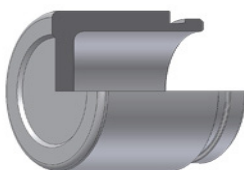
| | | |
|-----------------------------------|------|------|
| P-544302 | | |
| D=54 | d=45 | H=43 |
| Front Piston Ø54 Akebono Type | | |
| DAIHATSU FEROZA, ROCKY; MAZDA 929 | | |



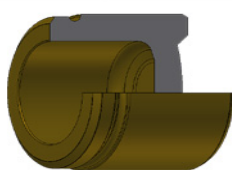
| | | |
|--------------------------------|------|--------|
| P-544401 | | |
| D=54 | d=45 | H=44,5 |
| Front Piston Ø54 Sumitomo Type | | |
| MAZDA MX3, 323 | | |



| | | |
|------------------------------|------|------|
| P-544402 | | |
| D=54 | d=45 | H=44 |
| Front Piston Ø54 Nissin Type | | |
| HONDA CIVIC, CRX, PRELUDE | | |

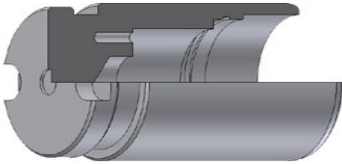


| | | |
|--|------|------|
| P-544501 | | |
| D=54 | d=40 | H=45 |
| Front Piston Ø54 Akebono Type | | |
| ISUZU, MAZDA, MITSUBISHI, SUZUKI, TOYOTA | | |




OEM: PHENOLIC WRACKYNSON: STEEL

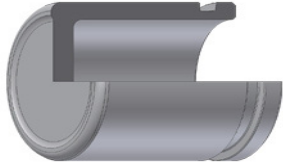
| | | |
|-------------------------------------|--------|--------|
| P-544502 | | |
| D=54 | d=29,5 | H=45,5 |
| Front Piston Ø54 Advics (Phenolic) | | |
| FORD PROBE, MAZDA 626, TOYOTA PRIUS | | |



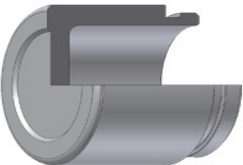
| | | |
|------------------------------|------|------|
| P-544503 | | |
| D=54 | d=46 | H=45 |
| Rear Piston Ø54 Akebono Type | | |
| SUBARU | | |



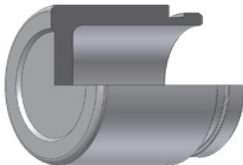
| | | |
|------------------------------|------|------|
| P-544504 | | |
| D=54 | d=44 | H=45 |
| Rear Piston Ø54 Akebono Type | | |
| HONDA | | |



| | | |
|-----------------------------|------|------|
| P-544601 | | |
| D=54 | d=45 | H=46 |
| Front Ø54 Luc/Nih/Akeb/Sum | | |
| HONDA, MAZDA, SUZUKI, VOLVO | | |



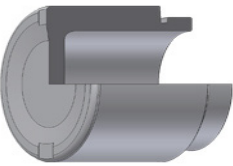
| | | |
|--|------|--------|
| P-544602 | | |
| D=54 | d=35 | H=46,8 |
| Front Piston Ø54 Bendix Type | | |
| PEUGEOT 505; RENAULT 5, 6, 18, 20, 30, FUEGO | | |



| | | |
|-----------------------------|------|------|
| P-544603 | | |
| D=54 | d=42 | H=46 |
| Front Piston Ø54 Kasko Type | | |
| KIA RIO, SHUMA; MAZDA 929 | | |



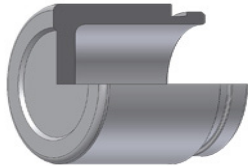
| | | |
|---|------|--------|
| P-544701 | | |
| D=54 | d=40 | H=47,5 |
| Front Piston Ø54 Akebono Type | | |
| MITSUBISHI COLT, ECLIPSE, GALANT, LANCER, SPACE; SUBARU IMPREZA | | |



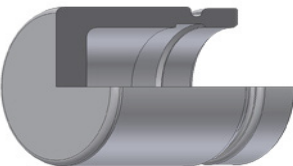
| | | |
|------------------------------|--------|------|
| P-544702 | | |
| D=54 | d=36,5 | H=47 |
| Front Piston Ø54 Bendix Type | | |
| FIAT, RENAULT, TALBOT | | |



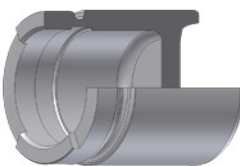
| | | |
|-----------------------------|------|--------|
| P-544703 | | |
| D=54 | d=45 | H=47,7 |
| Front Piston Ø54 Kasko Type | | |
| HYUNDAI ACCENT, KIA RIO | | |



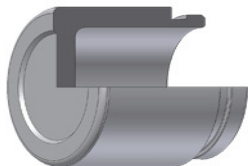
| | | |
|----------------------------------|------|--------|
| P-544704 | | |
| D=54 | d=30 | H=47,5 |
| Front Piston Ø54 Akebono Type | | |
| MITSUBISHI L300, MONTERO, PAJERO | | |



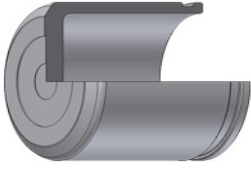
| | | |
|---------------------------|------|--------|
| P-544801 | | |
| D=54 | d=40 | H=48,1 |
| Front Piston Ø54 Ate Type | | |
| BMW 3 SERIES, Z3, Z4 | | |



| | | |
|-----------------------------|------|------|
| P-544803 | | |
| D=54 | d=38 | H=48 |
| Front Piston Ø54 Teves Type | | |
| OPEL CALIBRA, OMEGA, VECTRA | | |



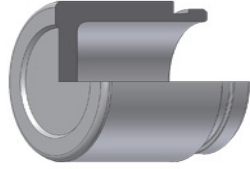
| | | |
|--------------------------------|------|--------|
| P-544804 | | |
| D=54 | d=43 | H=48,5 |
| Front Piston Ø54 Sumitomo Type | | |
| DAIHATSU TERIOS | | |



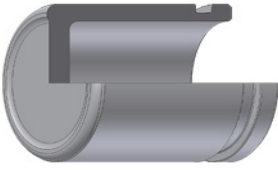
| | | |
|-----------------------------|------|------|
| P-544805 | | |
| D=54 | d=45 | H=48 |
| Front Piston Ø54 Aisin Type | | |
| TOYOTA YARIS | | |



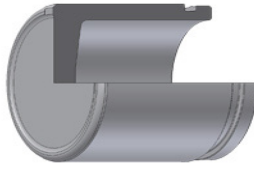
| | | |
|---|------|--------|
| P-544901 | | |
| D=54 | d=45 | H=49,8 |
| Front Piston Ø54 Lucas Type | | |
| ALFA, BMW, FIAT, FORD, HONDA, MERCEDES, MITSUBISHI, SKODA, TOYOTA | | |



| | | |
|---|------|------|
| P-544902 | | |
| D=54 | d=40 | H=49 |
| Front Piston Ø54 Sumitomo Type | | |
| MAZDA 323, MX5; MITSUBISHI COLT, GALANT, LANCER; TOYOTA COROLLA | | |



| | | |
|--|------|------|
| P-544903 | | |
| D=54 | d=45 | H=49 |
| Front Piston Ø54 Bendix Type | | |
| PEUGEOT 205; RENAULT, ESPACE FUEGO, R18, R20, R21, NEVADA, R30 | | |



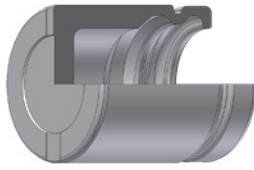
| | | |
|--|------|------|
| P-544904 | | |
| D=54 | d=45 | H=49 |
| Front Piston Ø54 Dac/Nis/Tok/Man | | |
| CHEVROLET, DAEWOO, HYUNDAI, NISSAN, SUZUKI | | |



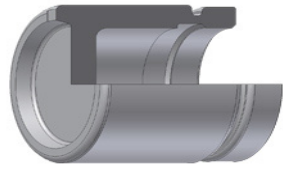
| | | |
|------------------------------|------|------|
| P-544905 | | |
| D=54 | d=44 | H=49 |
| Front Piston Ø54 Nissan Type | | |
| RENAULT SAMSUNG | | |



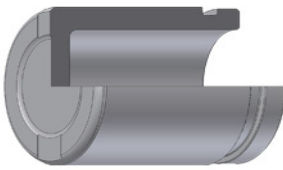
| | | |
|--|--------|--------|
| P-545001 | | |
| D=54 | d=45,5 | H=50,5 |
| Front Piston Ø54 Bosch Type | | |
| CITROËN, MAZDA, NISSAN, PEUGEOT, RENAULT | | |



| | | |
|-----------------------------------|-----|--------|
| P-545003 | | |
| D=54 | d=0 | H=50,5 |
| Front Caliper Piston Ø54 Ate Type | | |
| DACIA, FIAT, | | |



| | | |
|--|------|------|
| P-545101 | | |
| D=54 | d=40 | H=51 |
| Front Piston Ø54 Teves Type | | |
| FIAT DOBLO, PALIO; FORD FIESTA, ESCORT, ORION, SIERRA; MAZDA 121 | | |



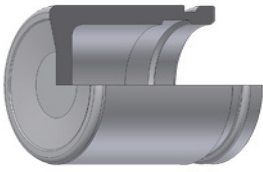
| | | |
|--------------------------------------|------|--------|
| P-545102 | | |
| D=54 | d=45 | H=51,5 |
| Front Piston Ø54 Bendix Type | | |
| CITROËN, FIAT, FORD, LANCIA, PEUGEOT | | |



| | | |
|-----------------------------|------|------|
| P-545103 | | |
| D=54 | d=45 | H=51 |
| Front Piston Ø54 Lucas Type | | |
| ALFA ROMEO, FIAT, LANCIA | | |



| | | |
|---|------|------|
| P-545104 | | |
| D=54 | d=45 | H=51 |
| Front Piston Ø54 Mando Type | | |
| HYUNDAI COUPE, LANTRA, ELANTRA, MATRIX, i20, SOLARIS; KIA JOICE | | |



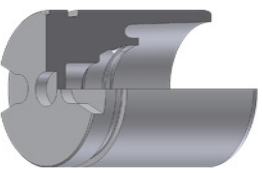
| | | |
|---------------------------|------|--------|
| P-545105 | | |
| D=54 | d=40 | H=51,7 |
| Front Piston Ø54 Ate Type | | |
| DACIA LOGAN | | |



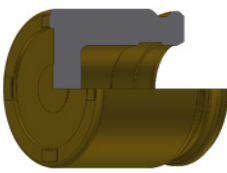
| | | |
|---|------|--------|
| P-545201 | | |
| D=54 | d=45 | H=52,5 |
| Front Piston Ø54 Bosch Type | | |
| ALFA ROMEO, CITROËN, FIAT, NISSAN, OPEL, RENAULT, PEUGEOT | | |



| | | |
|---------------------------|------|--------|
| P-545202 | | |
| D=54 | d=45 | H=52,4 |
| Front Piston Ø54 Ate Type | | |
| AUDI 80,90,100, COUPE | | |



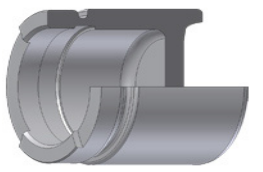
| | | |
|-----------------------------|------|--------|
| P-545203 | | |
| D=54 | d=46 | H=52,7 |
| Front Piston Ø54 Bosch Type | | |
| CITROËN C5 | | |



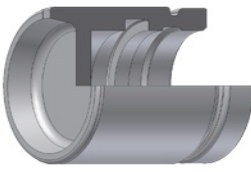
| | | |
|--------------------------------------|--------|------|
| P-545204 | | |
| D=54 | d=32,5 | H=52 |
| Front Piston Ø54 K/H Type (Phenolic) | | |
| CHRYSLER NEON | | |



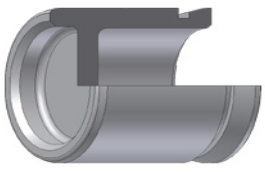
| | | |
|--|------|--------|
| P-545301 | | |
| D=54 | d=45 | H=53,7 |
| Front Piston Ø54 Lucas Type | | |
| ALFA, VAG, PSA, RENAULT, MERCEDES, NISSAN, OPEL, SUZUKI, VOLVO | | |



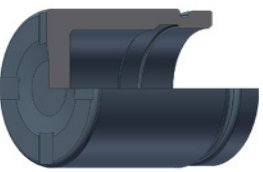
| | | |
|---------------------------------------|------|--------|
| P-545302 | | |
| D=54 | d=40 | H=53,1 |
| Front Piston Ø54 Ate Type | | |
| OPEL CALIBRA, OMEGA, VECTRA; SAAB 900 | | |



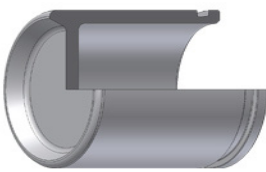
| | | |
|---------------------------|------|------|
| P-545303 | | |
| D=54 | d=40 | H=53 |
| Front Piston Ø54 Ate Type | | |
| BMW 3, 5 SERIES | | |



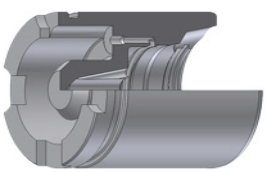
| | | |
|---------------------------|------|------|
| P-545304 | | |
| D=54 | d=40 | H=53 |
| Front Piston Ø54 Ate Type | | |
| PEUGEOT, PORSCHE, TALBOT | | |



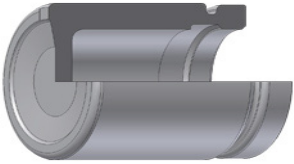
| | | |
|----------------------------------|------|--------|
| P-545305 | | |
| D=54 | d=41 | H=53,5 |
| Front Piston Ø54 TRW (Aluminium) | | |
| FORD FOCUS | | |



| | | |
|-----------------------------|------|--------|
| P-545401 | | |
| D=54 | d=45 | H=54,3 |
| Front Piston Ø54 Lucas type | | |
| AUDI 100; MERCEDES C-CLASS | | |



| | | |
|------------------------------|------|------|
| P-545402 | | |
| D=54 | d=32 | H=54 |
| Front Piston Ø54 Bendix type | | |
| CITROËN XANTIA | | |



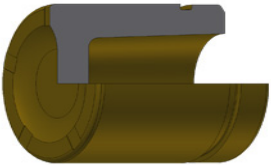
| | | |
|---------------------------|------|------|
| P-545403 | | |
| D=54 | d=40 | H=54 |
| Front Piston Ø54 Ate Type | | |
| KIA SEPHIA, SHUMA | | |



| | | |
|---------------------------|------|--------|
| P-545501 | | |
| D=54 | d=43 | H=55,5 |
| Front Piston Ø54 Ate Type | | |
| ALFA, FIAT, FORD, LANCIA | | |



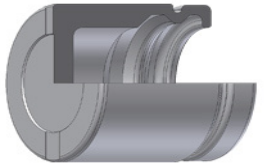
| | | |
|--|------|--------|
| P-545502 | | |
| D=54 | d=40 | H=55,5 |
| Front Piston Ø54 Ate Type | | |
| AUDI, BMW, FORD, MAZDA, RENAULT, SEAT, SKODA, VW | | |



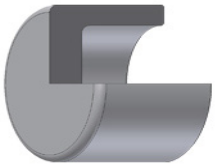
| | | |
|---|------|--------|
| P-545503 | | |
| D=54 | d=34 | H=55,3 |
| Front Piston Ø54 Lucas (Phenolic) | | |
| OPEL COMBO, CORSA, MERIVA; TOYOTA YARIS | | |



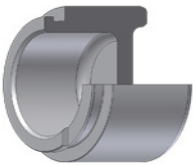
| | | |
|----------------------------------|------|------|
| P-545601 | | |
| D=54 | d=36 | H=56 |
| Front Piston Ø54 Ate (Aluminium) | | |
| ALFA ROMEO 147, 156, GT | | |



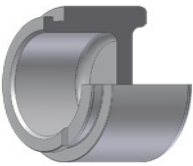
| | | |
|---------------------------|------|--------|
| P-545801 | | |
| D=54 | d=40 | H=58,5 |
| Front Piston Ø54 Ate Type | | |
| AUDI, SEAT, SKODA, VW | | |



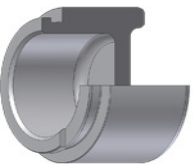
| | | |
|---|------|--------|
| P-572801 | | |
| D=57 | d=48 | H=28,5 |
| Front Piston Ø57 AP Type | | |
| DAF SHERPA, V200; FORD TRANSIT; ROVER 2.300-2.400-2.600-3.500 | | |




| | | |
|--|------|--------|
| P-572901 | | |
| D=57 | d=38 | H=29,5 |
| Front Piston Ø57 Ate Type | | |
| OPEL COMMODORE, DIPLOMAT, MONZA, SENATOR | | |



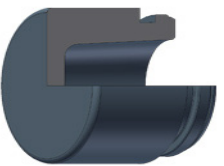
| | | |
|--|------|------|
| P-573001 | | |
| D=57 | d=42 | H=30 |
| Front Piston Ø57 Teves Type | | |
| MERCEDES /8, CABRIOLET, COUPE, PAGODE, S-CLASS, SL | | |



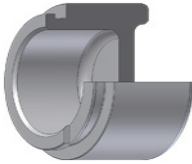
| | | |
|---------------------------------|------|--------|
| P-573002 | | |
| D=57 | d=39 | H=30,5 |
| Front Piston Ø57 Teves Type | | |
| MERCEDES S-CLASS, S-CLASS COUPE | | |




| | | |
|---|------|------|
| P-573101 | | |
| D=57 | d=43 | H=31 |
| Front Piston Ø57 Bendix Type | | |
| MERCEDES /8, PAGODE, S-CLASS, S-CLASS COUPE | | |



| | | |
|---------------------------------------|--------|------|
| P-573102 | | |
| D=57 | d=39,7 | H=31 |
| Front Piston Ø57 Brembo (Aluminium) | | |
| MERCEDES C-CLASS, CLC-CLASS, CLK, SLK | | |



| | | |
|-----------------------------|------|------|
| P-573401 | | |
| D=57 | d=38 | H=34 |
| Front Piston Ø57 Teves Type | | |
| VW LT SERIES | | |

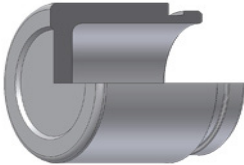


OEM: PHENOLIC WRACKYNSON: STEEL

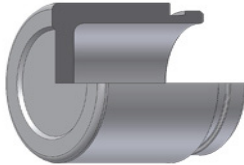
| | | |
|-----------------------------------|------|------|
| P-574401 | | |
| D=57 | d=29 | H=44 |
| Front Piston Ø57 Sumit (Phenolic) | | |
| TOYOTA PRIUS | | |



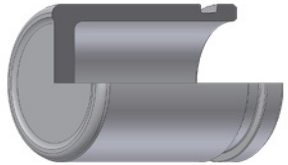
| | | |
|-------------------------------|------|--------|
| P-574501 | | |
| D=57 | d=46 | H=45,5 |
| Front Piston Ø57 Aisin Type | | |
| TOYOTA COROLLA, CELICA, PRIUS | | |



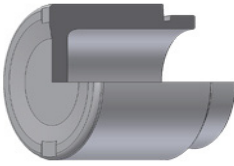
| | | |
|------------------------------|------|------|
| P-574502 | | |
| D=57 | d=44 | H=45 |
| Front Piston Ø57 Aisin Type | | |
| TOYOTA CAMRY, CARINA, CELICA | | |



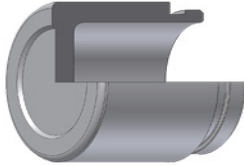
| | | |
|---|------|--------|
| P-574503 | | |
| D=57 | d=44 | H=45,5 |
| Front Piston Ø57 Akebono Type | | |
| ISUZU CHEVROLET, FASTER; TOYOTA CELICA, F-MODEL, LITEACE, SUPRA | | |



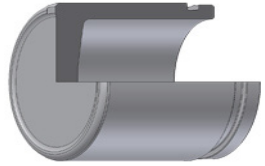
| | | |
|---|--------|--------|
| P-574601 | | |
| D=57 | d=48,2 | H=46,5 |
| Front Piston Ø57 Shin Tec Type | | |
| FORD PROBE; MAZDA 323, 626, MX6, PREMACY, XEDOS | | |



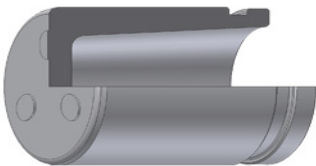
| | | |
|-----------------------------------|------|------|
| P-574602 | | |
| D=57 | d=46 | H=46 |
| Front Piston Ø57 Sumitomo Type | | |
| ISUZU, MITSUBISHI, SUZUKI, TOYOTA | | |



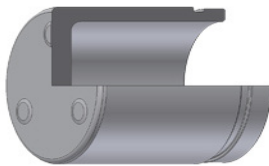
| | | |
|--------------------------------------|------|--------|
| P-574603 | | |
| D=57 | d=43 | H=46,1 |
| Front Piston Ø57 Sumitomo Type | | |
| KIA CARENS, CLARUS, RETONA, SPORTAGE | | |



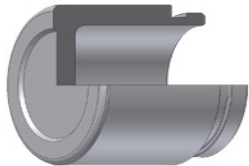
| | | |
|---------------------------|------|------|
| P-574604 | | |
| D=57 | d=48 | H=46 |
| Front Piston Ø57 NBK Type | | |
| MAZDA 6 | | |



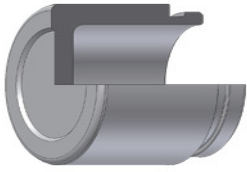
| | | |
|---|------|--------|
| P-574801 | | |
| D=57 | d=42 | H=48,3 |
| Front Piston Ø57 Akebono Type | | |
| HONDA CR-V, MITSUBISHI L200, L300, MONTERO, PAJERO; SUBARU LEGACY | | |



| | | |
|-----------------------------------|--------|------|
| P-574802 | | |
| D=57 | d=48,2 | H=48 |
| Front Piston Ø57 Akebono Type | | |
| CHRYSLER, DODGE, JEEP, MITSUBISHI | | |



| | | |
|------------------------------------|------|------|
| P-574803 | | |
| D=57 | d=46 | H=48 |
| Front Piston Ø57 Tokico/Aisin Type | | |
| HONDA PRELUDE, TOYOTA YARIS | | |



| | | |
|---|------|------|
| P-574901 | | |
| D=57 | d=43 | H=49 |
| Front Piston Ø57 Sum/Hos/Ais/Akeb. | | |
| MAZDA 323; TOYOTA CAMRY, CARINA, CELICA, COROLLA, PIC-NIC | | |



| | | |
|-----------------------------|--------|--------|
| P-574902 | | |
| D=57 | d=43,1 | H=49,5 |
| Front Piston Ø57 Teves Type | | |
| NISSAN PRIMERA | | |



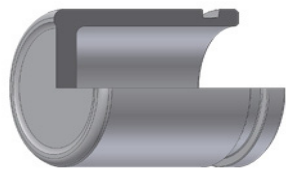
| | | |
|--|------|------|
| P-574903 | | |
| D=57 | d=48 | H=49 |
| Front Piston Ø57 Kasco Type | | |
| DAEWOO EVANDA, LEGANZA, REZZO, TACUMA; CHEVROLET EPICA, TACUMA | | |



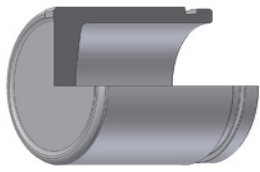
| | | |
|--|--------|--------|
| P-575001 | | |
| D=57 | d=48,2 | H=49,8 |
| Front Piston Ø57 Lucas Type | | |
| HONDA, KIA, LAND ROVER, MERCEDES, NISSAN, ROVER, TOYOTA, VOLVO | | |



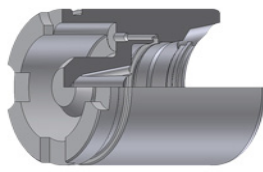
| | | |
|--|--------|--------|
| P-575101 | | |
| D=57 | d=48,2 | H=51,7 |
| Front Piston Ø57 Bendix Type | | |
| ALFA ROMEO, CITROËN, FIAT, LANCIA, PEUGEOT | | |



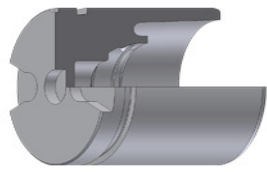
| | | |
|--------------------------------------|--------|--------|
| P-575102 | | |
| D=57 | d=48,2 | H=51,5 |
| Front Piston Ø57 NIH Type | | |
| HONDA ACCORD, CIVIC, LEGEND, PRELUDE | | |



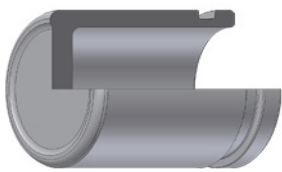
| | | |
|--|--------|--------|
| P-575103 | | |
| D=57 | d=48,2 | H=51,2 |
| Front Piston Ø57 Man/Niss/Kask | | |
| HYUNDAI, KIA, MITSUBISHI, NISSAN, SUBARU, SUZUKI | | |



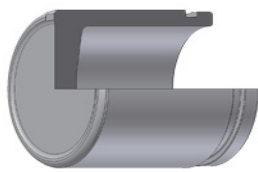
| | | |
|------------------------------|------|--------|
| P-575104 | | |
| D=57 | d=32 | H=51,6 |
| Front Piston Ø57 Bendix Type | | |
| CITROËN XANTIA, XM | | |



| | | |
|-----------------------------|------|--------|
| P-575201 | | |
| D=57 | d=49 | H=52,7 |
| Front Piston Ø57 Bosch Type | | |
| CITROËN C5 | | |



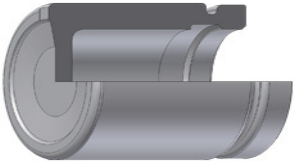
| | | |
|--|--------|--------|
| P-575202 | | |
| D=57 | d=48,5 | H=52,5 |
| Front Piston Ø57 Bosch Type | | |
| OPEL CORSA; PEUGEOT 308, 3008; TOYOTA AVENSIS, COROLLA | | |



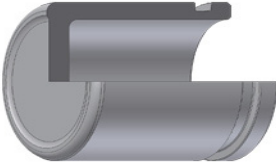
| | | |
|---------------------------|--------|--------|
| P-575203 | | |
| D=57 | d=48,2 | H=52,2 |
| Front Piston Ø57 Nbk Type | | |
| MAZDA 6 | | |



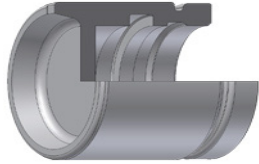
| | | |
|-----------------------------|------|--------|
| P-575204 | | |
| D=57 | d=46 | H=52,5 |
| Front Piston Ø57 Mazda Type | | |
| MAZDA 6 | | |



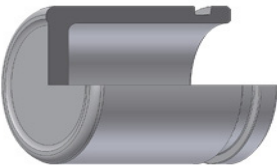
| | | |
|--|------|------|
| P-575301 | | |
| D=57 | d=43 | H=53 |
| Front Piston Ø57 Teves Type | | |
| AUDI A3; BMW 3 SERIES, X3; PEUGEOT 605; SAAB 9000; VOLVO | | |



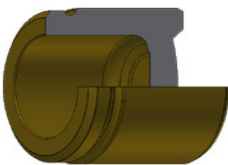
| | | |
|------------------------------------|------|--------|
| P-575302 | | |
| D=57 | d=48 | H=53,6 |
| Front Piston Ø57 Lucas/Nissin Type | | |
| CHRYSLER; HONDA; MERCEDES; ROVER | | |



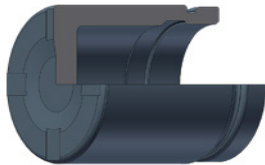
| | | |
|---------------------------|------|------|
| P-575303 | | |
| D=57 | d=40 | H=53 |
| Front Piston Ø57 Ate Type | | |
| BMW 5 SERIES, 6 SERIES | | |



| | | |
|---|--------|--------|
| P-575304 | | |
| D=57 | d=48,2 | H=53,6 |
| Front Piston Ø57 Bosch Type | | |
| FORD MONDEO; JAGUAR X-TYPE; TOYOTA AURIS, VERSO | | |



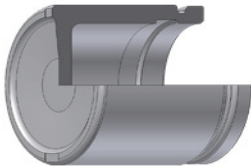
| | | |
|----------------------------------|--------|---------|
| P-575305 | | |
| D=57 | d=40,5 | H=53,75 |
| Front Piston K/H Type (Phenolic) | | |
| CHRYSLER PT CRUISER | | |



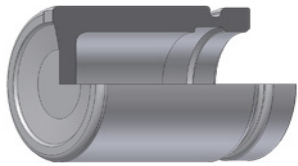
| | | |
|----------------------------------|------|------|
| P-575306 | | |
| D=57 | d=44 | H=53 |
| Front Piston Ø57 Trw (Aluminium) | | |
| AUDI A4, A5 | | |



| | | |
|--|--------|--------|
| P-575401 | | |
| D=57 | d=48,2 | H=54,8 |
| Front Piston Ø57 Lucas Type | | |
| ALFA, CITROËN, FIAT, LANCIA, MERCEDES, OPEL, PEUGEOT, SUZUKI | | |



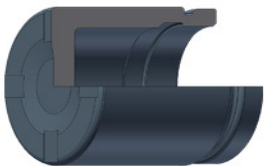
| | | |
|---------------------------|------|------|
| P-575403 | | |
| D=57 | d=43 | H=54 |
| Front Piston Ø57 Ate Type | | |
| KIA CLARUS | | |



| | | |
|-------------------------------------|------|--------|
| P-575501 | | |
| D=57 | d=43 | H=55,2 |
| Front Piston Ø57 Ate Type | | |
| AUDI, OPEL, SAAB, SKODA, TOYOTA, VW | | |



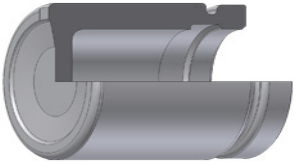
| | | |
|------------------------------|------|--------|
| P-575502 | | |
| D=57 | d=46 | H=55,5 |
| Front Piston Ø57 Ate Type | | |
| ALFA ROMEO 166, LANCIA KAPPA | | |



| | | |
|------------------------------------|------|--------|
| P-575503 | | |
| D=57 | d=43 | H=55,5 |
| Front Piston Ø57 Teves (Aluminium) | | |
| BMW, FORD, OPEL, VW, VOLVO | | |



| | | |
|---|------|--------|
| P-575504 | | |
| D=57 | d=43 | H=55,4 |
| Front Piston Ø57 Ate Type | | |
| ALFA, PSA, VAG, GM, HONDA, MAZDA, RENAULT, TOYOTA, VOLVO, ROVER | | |



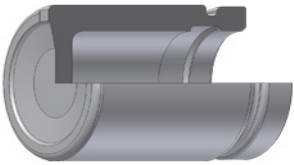
| | | |
|---------------------------------|--------|--------|
| P-575505 | | |
| D=57 | d=35,3 | H=55,7 |
| Front Piston Ø57 Ate Type | | |
| FIAT CROMA; OPEL SIGNUM, VECTRA | | |



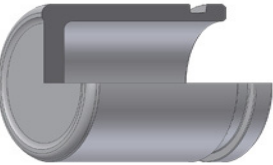
| | | |
|--------------------------------------|--------|------|
| P-575506 | | |
| D=57 | d=48,2 | H=55 |
| Front Piston Ø57 Akebono Type | | |
| HONDA ACCORD; SUBARU IMPREZA, LEGACY | | |



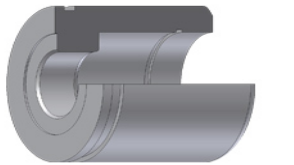
| | | |
|-------------------------------------|------|--------|
| P-575701 | | |
| D=57 | d=43 | H=57,5 |
| Front Piston Ø57 Ate Type | | |
| MERCEDES C-CLASS, CLK, E-CLASS, SLK | | |



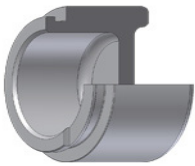
| | | |
|--|------|--------|
| P-575801 | | |
| D=57 | d=43 | H=58,5 |
| Front Piston Ø57 Ate Type | | |
| FORD GALAXY; SEAT ALHAMBRA; VW SHARAN, TRANSPORTER | | |




| | | |
|-----------------------------------|------|--------|
| P-586301 | | |
| D=58 | d=46 | H=63,7 |
| Front Piston Ø58 Lucas Type | | |
| FORD CARGO; VOLVO TRUCKS F SERIES | | |



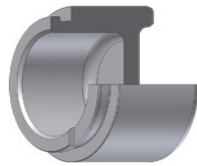
| | | |
|-----------------------------------|------|---------|
| P-586302 | | |
| D=58 | d=45 | H=63,75 |
| Rear Piston Ø58 Lucas Type | | |
| FORD CARGO; VOLVO TRUCKS F SERIES | | |



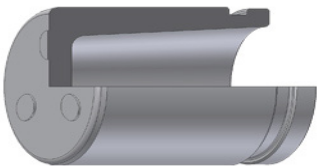
| | | |
|---|------|--------|
| P-602901 | | |
| D=60 | d=42 | H=29,5 |
| Front Piston Ø60 Ate Type | | |
| MERCEDES /8, 123, COUPE, KOMBI T MODEL, S-CLASS, SL, SL COUPE | | |



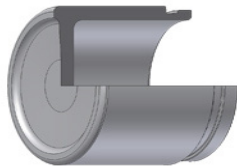
| | | |
|---|--------|--------|
| P-603002 | | |
| D=60 | d=45,6 | H=30,8 |
| Front Piston Ø60 Bendix Type | | |
| MERCEDES 123, COUPE, KOMBI T MODEL, S-CLASS, SL, SL COUPE | | |



| | | |
|---|------|------|
| P-603101 | | |
| D=60 | d=42 | H=31 |
| Front Piston Ø60 Ate Type | | |
| MERCEDES 123, COUPE, KOMBI T-MODEL, S-CLASS, SL, SL COUPE, UNIMOG | | |




| | | |
|---|------|--------|
| P-604601 | | |
| D=60 | d=42 | H=46,6 |
| Front Piston Ø60 Akebono Type | | |
| ISUZU; MITSUBISHI; NISSAN; OPEL; TOYOTA | | |



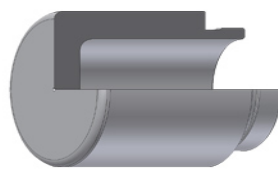
| | | |
|--------------------------------|------|------|
| P-604602 | | |
| D=60 | d=50 | H=46 |
| Front Piston Ø60 Sumitomo Type | | |
| FORD; MAZDA; KIA | | |



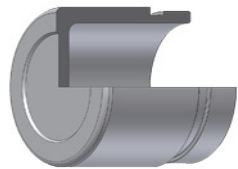
| | | |
|-------------------------------|------|------|
| P-604701 | | |
| D=60 | d=48 | H=47 |
| Front Piston Ø60 Akebono Type | | |
| NISSAN QASHQAI, X-TRAIL | | |



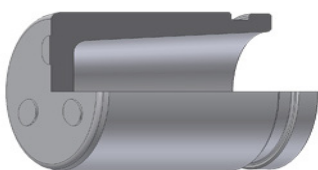
| | | |
|---------------------------|------|--------|
| P-604801 | | |
| D=60 | d=46 | H=47,8 |
| Front Piston Ø60 Ate Type | | |
| OPEL SENATOR, MONZA | | |



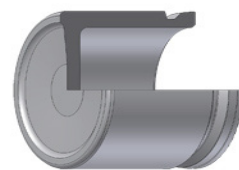
| | | |
|-------------------------------|------|--------|
| P-604802 | | |
| D=60 | d=42 | H=48,9 |
| Front Piston Ø60 Akebono Type | | |
| MITSUBISHI | | |



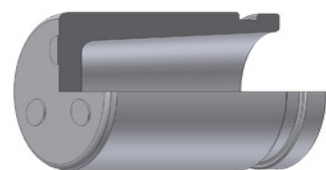
| | | |
|------------------------------------|------|--------|
| P-604803 | | |
| D=60 | d=48 | H=48,2 |
| Front Piston Ø60 Asco Type | | |
| TOYOTA DYNA, HIACE, HILUX; VW TARO | | |



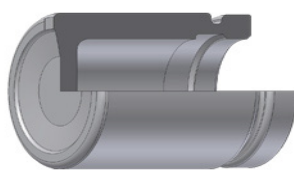
| | | |
|---|------|------|
| P-604804 | | |
| D=60 | d=47 | H=48 |
| Front Piston Ø60 Akebono Type | | |
| LEXUS RX; MITSUBISHI GALANT; TOYOTA CAMRY | | |



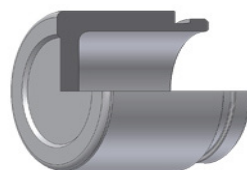
| | | |
|------------------------------------|------|--------|
| P-604805 | | |
| D=60 | d=48 | H=48,3 |
| Front Piston Ø60 PBR Type | | |
| FORD RANGER; MAZDA B SERIES, BT-50 | | |



| | | |
|------------------------------|------|--------|
| P-604807 | | |
| D=60,5 | d=47 | H=48,7 |
| Front Piston Ø60 Bendix Type | | |
| NISSAN SERENA, VANETTE | | |



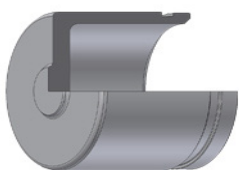
| | | |
|------------------------------|------|------|
| P-604901 | | |
| D=60 | d=46 | H=49 |
| Rear Piston Ø60 Ate Type | | |
| AUDI 100, V8; JAGUAR XJ, XJS | | |



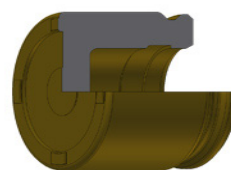
| | | |
|--|------|------|
| P-604902 | | |
| D=60 | d=48 | H=49 |
| Front Piston Ø60 Advics Type | | |
| TOYOTA AURIS, COROLLA, TREZIA, URBAN CRUISER | | |



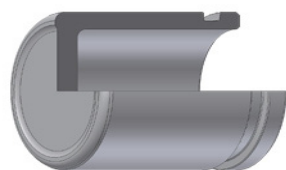
| | | |
|---------------------------|--------|------|
| P-604905 | | |
| D=60,5 | d=44,5 | H=49 |
| Front Piston Ø60 PBR Type | | |
| SSANGYONG MUSSO, KORANDO | | |



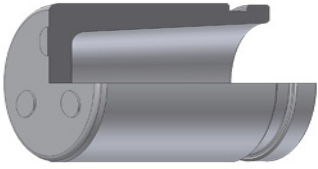
| | | |
|------------------------------|------|------|
| P-605001 | | |
| D=60,5 | d=51 | H=50 |
| Front Piston Ø60 Tokico Type | | |
| MITSUBISHI, NISSAN, SUZUKI | | |



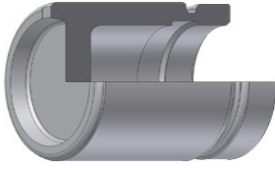
| | | |
|--------------------------------------|------|--------|
| P-605002 | | |
| D=60 | d=36 | H=50,5 |
| Front Piston Ø60 K/H Type (Phenolic) | | |
| CHRYSLER LE BARON | | |



| | | |
|---------------------------|------|------|
| P-605003 | | |
| D=60 | d=51 | H=50 |
| Front Piston Ø60 TRW type | | |
| TOYOTA HILUX | | |



| | | |
|--|------|--------|
| P-605101 | | |
| D=60 | d=48 | H=51,5 |
| Front Piston Ø60 Mando Type | | |
| HYUNDAI H100, SONATA, TUCSON; KIA OPIRUS, SPORTAGE | | |

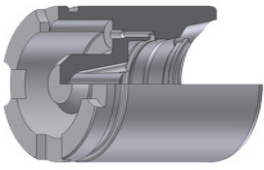


| | | |
|----------------------------|------|------|
| P-605102 | | |
| D=60 | d=46 | H=51 |
| Front Piston Ø60 Ate Type | | |
| AUDI 100,200; FORD SCORPIO | | |

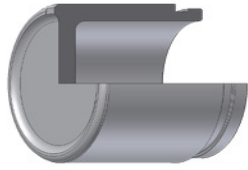


OEM: PHENOLIC WRACKYNSON: STEEL

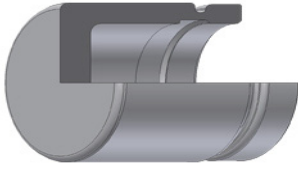
| | | |
|---------------------------------|------|------|
| P-605103 | | |
| D=60 | d=36 | H=51 |
| Front Piston Ø60 Ate (Phenolic) | | |
| CHEVROLET, MERCEDES, OPEL | | |



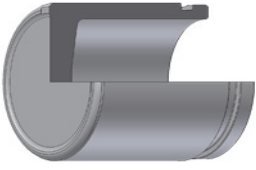
| | | |
|-----------------------------|------|--------|
| P-605104 | | |
| D=60 | d=34 | H=51,2 |
| Front Piston Ø60 Bosch Type | | |
| CITROËN XANTIA | | |



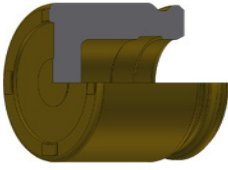
| | | |
|-------------------------------------|------|------|
| P-605105 | | |
| D=60,5 | d=50 | H=51 |
| Rear Piston Ø60 Kasco/Advics Type | | |
| HYUNDAI SONATA, SUZUKI GRAND VITARA | | |



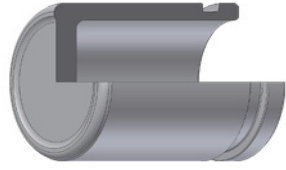
| | | |
|---|------|------|
| P-605201 | | |
| D=60 | d=46 | H=52 |
| Front Piston Ø60 K.H./Ate Type | | |
| CHRYSLER VOYAGER; FORD ESCORT, ORION, SCORPIO, SIERRA | | |



| | | |
|---|------|--------|
| P-605202 | | |
| D=60,5 | d=48 | H=52,5 |
| Front Piston Ø60 Sumitomo Type | | |
| SUZUKI VITARA, GRAND VITARA; TOYOTA RAV-4 | | |



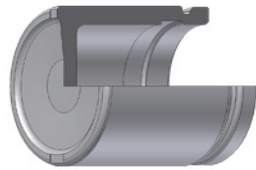
| | | |
|---|--------|------|
| P-605203 | | |
| D=60 | d=38,5 | H=52 |
| Front Piston Ø60 K/H (Phenolic) | | |
| BUICK, CHRYSLER, DODGE, EAGLE, PLYMOUTH | | |



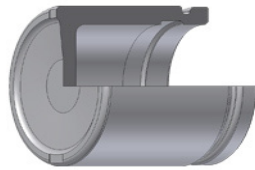
| | | |
|-----------------------------|------|--------|
| P-605204 | | |
| D=60 | d=51 | H=52,5 |
| Front Piston Ø60 Bosch Type | | |
| HONDA CRV | | |



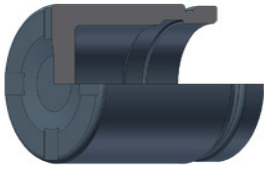
| | | |
|---|------|------|
| P-605301 | | |
| D=60 | d=50 | H=53 |
| Front Piston Ø60 Lucas Type | | |
| CITROËN, FIAT, JAGUAR, LANCIA, PEUGEOT, RENAULT, VW | | |



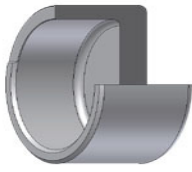
| | | |
|---------------------------|------|------|
| P-605302 | | |
| D=60 | d=46 | H=53 |
| Front Piston Ø60 Ate Type | | |
| BMW, VOLKSWAGEN | | |



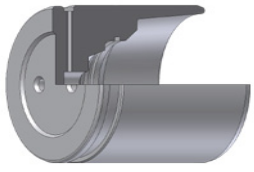
| | | |
|----------------------------|------|------|
| P-605303 | | |
| D=60 | d=46 | H=53 |
| Front Caliper Ø60 Ate type | | |
| BMW; LAND ROVER | | |



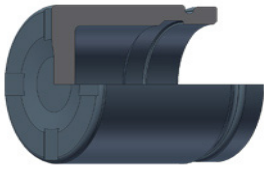
| | | |
|---|------|--------|
| P-605304 | | |
| D=60 | d=47 | H=53,5 |
| Front Caliper Ø60 Trw (Aluminium) | | |
| AUDI Q5, MERCEDES C, OPEL INSIGNIA; SAAM 9.5 | | |



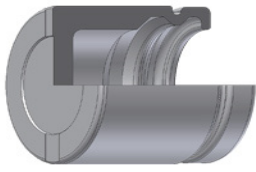
| | | |
|--------------------------------|------|------|
| P-605306 | | |
| D=60 | d=51 | H=53 |
| Front Caliper Ø60 Girling Type | | |
| MERCEDES S-CLASS COUPE | | |



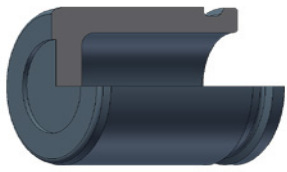
| | | |
|--|------|------|
| P-605401 | | |
| D=60 | d=54 | H=54 |
| Rear Piston Ø60 Brembo Type | | |
| NISSAN NV400, OPEL MOVANO, RENAULT MASTER III | | |



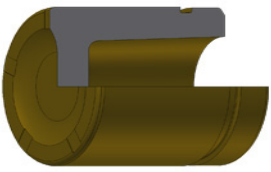
| | | |
|--|------|--------|
| P-605501 | | |
| D=60 | d=46 | H=55,5 |
| Front Piston Ø60 Ate (Aluminium) | | |
| AUDI, BMW, CITROEN, FORD, JAGUAR, LAND ROVER, OPEL, PEGEOT, VOLVO | | |



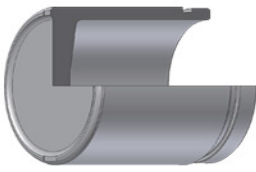
| | | |
|--|------|--------|
| P-605502 | | |
| D=60 | d=46 | H=55,5 |
| Front Piston Ø60 Ate Type | | |
| BMW ,FORD, RENAULT, VOLKSWAGEN, VOLVO | | |



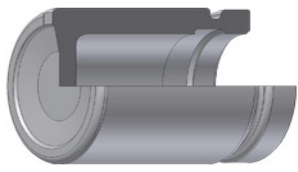
| | | |
|----------------------------------|------|------|
| P-605503 | | |
| D=60 | d=47 | H=55 |
| Front Piston Ø60 Trw (Aluminium) | | |
| MERCEDES, SEAT, SKODA, VW | | |



| | | |
|---------------------------------|-----|------|
| P-605504 | | |
| D=60,5 | d=0 | H=55 |
| Front Piston Ø60 PBR (Phenolic) | | |
| CHRYSLER 300 | | |



| | | |
|----------------------------------|------|--------|
| P-605601 | | |
| D=60 | d=50 | H=56,7 |
| Front Piston Ø60 Bosch Type | | |
| MERCEDES SPRINTER, V-CLASS, VITO | | |

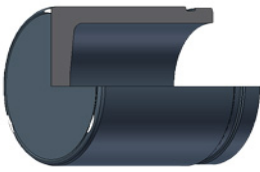


| | | |
|---------------------------|------|------|
| P-605602 | | |
| D=60 | d=46 | H=56 |
| Front Piston Ø60 Ate Type | | |
| FORD MAVERICK III SERIES | | |

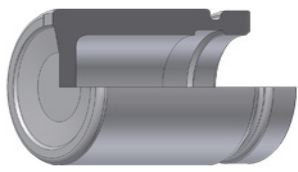


OEM: PHENOLIC WRACKYNSON: STEEL

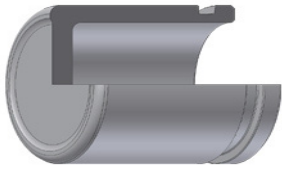
| | | |
|---------------------------------|--------|------|
| P-605603 | | |
| D=60 | d=34,8 | H=56 |
| Front Piston Ø60 Ate (Phenolic) | | |
| OPEL SIGNUM, VECTRA; SAAB 9-3 | | |



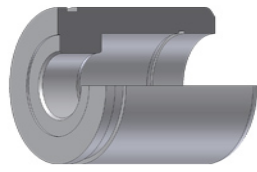
| | | |
|------------------------------------|--------|--------|
| P-605701 | | |
| D=60 | d=47,5 | H=57,4 |
| Front Piston Ø60 Bosch (Aluminium) | | |
| MERCEDES E-CLASS | | |



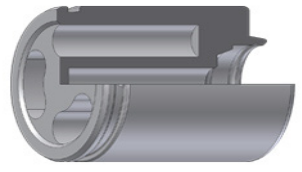
| | | |
|---|------|------|
| P-605801 | | |
| D=60 | d=46 | H=58 |
| Front Piston Ø60 Ate Type | | |
| MERCEDES E-CLASS, S-CLASS, SPRINTER, V CLASS, VITO; VW LT SERIES | | |



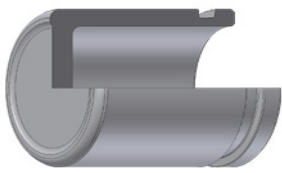
| | | |
|--|------|--------|
| P-606301 | | |
| D=60 | d=50 | H=63,3 |
| Front Piston Ø60 Lucas Type | | |
| FORD CARGO; MERCEDES T2/LN1, VARIO; IVECO EUROCARGO | | |



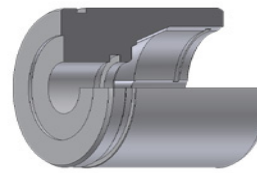
| | | |
|--|------|--------|
| P-606302 | | |
| D=60 | d=45 | H=63,5 |
| Rear Piston Ø60 Lucas Type | | |
| FORD CARGO; MERCEDES VARIO; IVECO EUROCARGO | | |



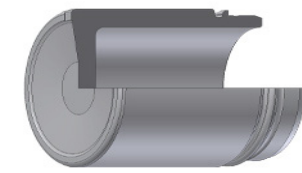
| | | |
|-----------------------------|------|------|
| P-606501 | | |
| D=60 | d=26 | H=65 |
| Rear Piston Ø60 Brembo Type | | |
| IVECO DAILY IV SERIES | | |



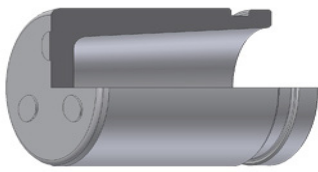
| | | |
|-----------------------------------|--------|------|
| P-606502 | | |
| D=60 | d=43,5 | H=65 |
| Front/Rear Piston Ø60 Brembo Type | | |
| IVECO DAILY III, EUROCARGO | | |



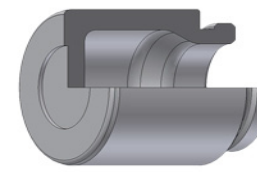
| | | |
|-----------------------------|--------|------|
| P-606503 | | |
| D=60 | d=48,5 | H=65 |
| Rear Piston Ø60 Brembo Type | | |
| IVECO EUROCARGO | | |



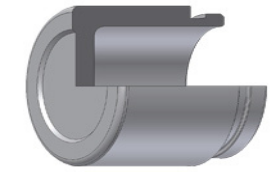
| | | |
|---------------------------|------|--------|
| P-606701 | | |
| D=60 | d=46 | H=67,3 |
| Front Piston Ø60 Ate Type | | |
| MERCEDES T2/LN1, VARIO | | |



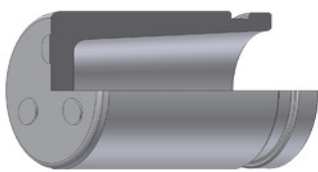
| | | |
|----------------------------------|------|------|
| P-634801 | | |
| D=63,4 | d=48 | H=48 |
| Front Piston Ø63 Akebono Type | | |
| LEXUS RX; TOYOTA AVENSIS, PREVIA | | |



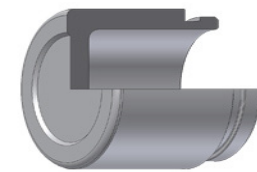
| | | |
|------------------------------|------|------|
| P-634802 | | |
| D=63 | d=46 | H=48 |
| Front Piston Ø63 Toyota Type | | |
| TOYOTA PREVIA | | |



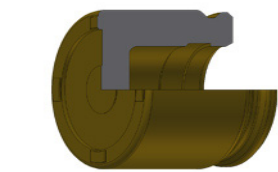
| | | |
|------------------------------|------|------|
| P-634901 | | |
| D=63,4 | d=51 | H=49 |
| Front Piston Ø63 Advics Type | | |
| TOYOTA AURIS, CAMRY, RAV 4 | | |



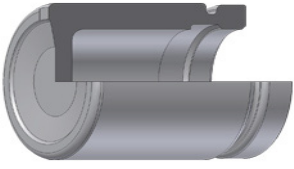
| | | |
|--------------------------------|------|------|
| P-635301 | | |
| D=63,4 | d=48 | H=53 |
| Front Piston Ø63 Sumitomo Type | | |
| TOYOTA PREVIA | | |



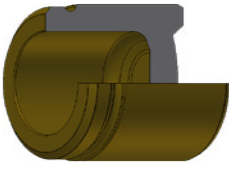
| | | |
|-----------------------------------|------|--------|
| P-635901 | | |
| D=63,4 | d=54 | H=59,5 |
| Front Piston Ø63 K/H Type | | |
| CHEVROLET TRANS PORT, OPEL SINTRA | | |



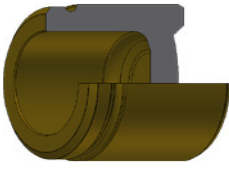
| | | |
|---|--------|------|
| P-665201 | | |
| D=66 | d=35,8 | H=52 |
| Front Piston Ø66 TRW Type (Phenolic) | | |
| JEEP CHEROKEE, GRAND CHEROKEE, VOYAGER; KIA CARNIVAL | | |



| | | |
|---------------------------|--------|------|
| P-665202 | | |
| D=66 | d=55,8 | H=52 |
| Front Piston Ø66 Ate Type | | |
| CHRYSLER VOYAGER IV | | |



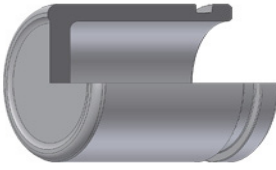
| | | |
|-----------------------------------|--------|------|
| P-665301 | | |
| D=66 | d=43,5 | H=54 |
| Front Piston Ø66 Lucas (Phenolic) | | |
| JEEP CHEROKEE | | |



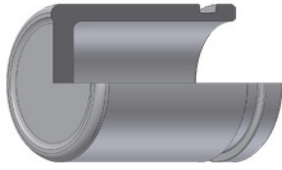
| | | |
|--------------------------------------|------|--------|
| P-665302 | | |
| D=66 | d=44 | H=53,4 |
| Front Piston Ø66 K/H Type (Phenolic) | | |
| DODGE, JEEP, PLYMOUTH | | |



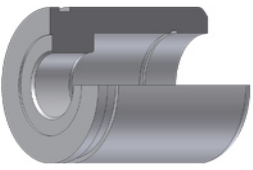
| | | |
|-----------------------------|------|--------|
| P-665501 | | |
| D=66 | d=51 | H=55,5 |
| Front Piston Ø66 Lucas Type | | |
| MAZDA TRIBUTE | | |



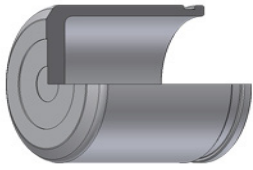
| | | |
|-----------------------------|--------|------|
| P-674801 | | |
| D=67 | d=55,5 | H=48 |
| Front Piston Ø67 Aisin Type | | |
| TOYOTA HIACE, DYNA | | |



| | | |
|------------------------------------|------|--------|
| P-684901 | | |
| D=68 | d=57 | H=49,5 |
| Front Piston Ø68 Lucas/Nissan Type | | |
| NISSAN CABSTAR, PATROL | | |



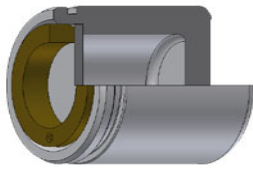
| | | |
|------------------------------------|------|--------|
| P-686301 | | |
| D=68 | d=45 | H=63,7 |
| Front/Rear Piston Ø68 Girling Type | | |
| FORD CARGO; VOLVO FL-4, FL-6 | | |



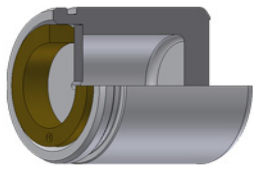
| | | |
|-------------------------------|--------|--------|
| P-686302 | | |
| D=68 | d=58,5 | H=63,5 |
| Front Piston Ø68 Girling Type | | |
| FORD CARG; VOLVO FL-4, FL-6 | | |



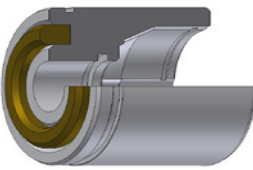
| | | |
|------------------------------|------|------|
| P-686303 | | |
| D=68 | d=45 | H=63 |
| Rear Piston Ø68 Girling Type | | |
| IVECO EUROARGO | | |



| | | |
|------------------------------|------|------|
| P-686305 | | |
| D=68 | d=52 | H=63 |
| Front Piston Ø68 Brembo Type | | |
| IVECO EUROARGO | | |



| | | |
|------------------------------|--------|------|
| P-686501 | | |
| D=68 | d=36,5 | H=65 |
| Front Piston Ø68 Brembo Type | | |
| IVECO EUROARGO | | |



| | | |
|-----------------------------------|--------|------|
| P-686502 | | |
| D=68 | d=48,5 | H=65 |
| Front/Rear Piston Ø68 Brembo Type | | |
| IVECO EUROARGO | | |



CALIPER PISTONS & THEIR APPLICATIONS



| | | | |
|-----------------|------|-----------------|---|
| K-303801 | 38,5 | CITROËN | SAXO |
| | | CITROËN | ZX |
| | | PEUGEOT | 106 |
| | | PEUGEOT | 205 |
| | | PEUGEOT | 206 |
| | | PEUGEOT | 306 |
| | | PEUGEOT | 309 |
| | | RENAULT | CLIO |
| | | RENAULT | MEGANE |
| | | RENAULT | R19 - CHAMADE |
| | | RENAULT | R9 - R11 |
| | | RENAULT | SUPER 5 |
| K-304001 | 40,0 | DAIHATSU | CHARADE |
| | | MAZDA | MX3 |
| K-304002 | 40,5 | HONDA | ACCORD (III SERIES) 11-85→12-89 |
| | | HONDA | INTEGRA |
| | | HONDA | PRELUDE |
| K-304101 | 41,6 | FORD | PROBE |
| | | MAZDA | 323 (BF - BW SERIES) 08-85→10-98 |
| | | MAZDA | 626 |
| K-304102 | 41,0 | NISSAN - DATSUN | SENTRA |
| | | NISSAN - DATSUN | SUNNY - PULSAR - 100NX (B13 SERIES) |
| K-304301 | 43,8 | HONDA | CIVIC (IV SERIES) |
| | | HONDA | CIVIC (V SERIES) |
| | | HONDA | CIVIC (VI SERIES) |
| | | HONDA | CONCERTO |
| | | HONDA | CRX |
| | | HONDA | JAZZ |
| | | ROVER | 200 - 400 SERIES |
| | | ROVER | 25 |
| | | ROVER | 45 |
| | | ROVER | STREETWISE |
| K-304501 | 45,5 | DAIHATSU | APPLAUSE |
| | | FORD | PROBE |
| | | MAZDA | 323 (BA SERIE) 05-94→01-01 |
| | | MAZDA | 323 (BG SERIES) 04-87→09-00 |
| | | MAZDA | 626 |
| | | MAZDA | MX6 |
| | | MAZDA | XEDOS |
| | | SUZUKI | BALENO |
| K-304502 | 45,0 | NISSAN - DATSUN | SUNNY - PULSAR - 100NX (B13 SERIES) |
| K-304503 | 45,0 | MITSUBISHI | COLT |
| | | MITSUBISHI | ECLIPSE |
| | | MITSUBISHI | GALANT (III SERIES) 10-83→04-90 |
| | | MITSUBISHI | GALANT (IV SERIES) 11-87→03-93 |
| | | MITSUBISHI | LANCER (IV SERIES C6-C7) 04-88→05-94 |
| | | MITSUBISHI | LANCER (V SERIES CB-CD) 06-92→09-00 |



| | | | |
|-----------------|------|-----------------|--------------------------------------|
| | | TOYOTA | COROLLA (E10 SERIES) 06-91→11-99 |
| | | TOYOTA | COROLLA (E11 SERIES) 04-97→06-02 |
| | | TOYOTA | COROLLA (E9 - SERIES) 05-87→10-95 |
| K-304504 | 45,0 | SUZUKI | SWIFT |
| K-304601 | 46,7 | NISSAN - DATSUN | ALMERA |
| | | NISSAN - DATSUN | MICRA |
| K-323801 | 38,5 | CITROËN | XSARA |
| | | CITROËN | ZX |
| | | PEUGEOT | 306 |
| K-324501 | 45,5 | MAZDA | MX5 |
| K-334401 | 44,1 | SAAB | 900 |
| | | SAAB | 9000 |
| | | VOLVO | 440 - 460 - 480 |
| K-334601 | 46,8 | ALFA ROMEO | 145 - 146 |
| | | ALFA ROMEO | 155 |
| | | ALFA ROMEO | 33 |
| | | ALFA ROMEO | GTV |
| | | ALFA ROMEO | SPIDER |
| | | AUDI | A2 |
| | | FIAT | 500 |
| | | FIAT | BARCETTA |
| | | FIAT | BRAVO - BRAVA |
| | | FIAT | COUPE |
| | | FIAT | MAREA |
| | | FIAT | PANDA - MARBELLA |
| | | FIAT | PUNTO (176 SERIES) |
| | | FIAT | PUNTO (188 SERIES) |
| | | FIAT | TEMPRA |
| | | FIAT | TIPO |
| | | FORD | FIESTA |
| | | FORD | FOCUS |
| | | HYUNDAI | i10 |
| | | KIA | VENGA |
| | | LANCIA | DEDRA |
| | | LANCIA | DELTA - PRISMA |
| | | LANCIA | YPSILON |
| | | MAZDA | 6 |
| | | MITSUBISHI | COLT |
| | | NISSAN - DATSUN | ALMERA |
| | | NISSAN - DATSUN | PRIMERA |
| | | OPEL | ASTRA (G SERIES) |
| | | OPEL | ASTRA (H SERIES) |
| | | OPEL | COMBO |
| | | OPEL | CORSA (C SERIES) |
| | | OPEL | TIGRA |
| | | OPEL | ZAFIRA |
| | | RENAULT | CLIO |
| | | RENAULT | FLUENCE |
| | | RENAULT | MEGANE |
| | | RENAULT | MEGANE SCENIC |

MANUFACTURAS WRACKYNSON

www.wrakynson.com

Page 648 of 822



CALIPER PISTONS & THEIR APPLICATIONS



| | | | |
|-----------------|------|-----------------|--|
| K-334601 | 46,8 | RENAULT | MODUS |
| | | RENAULT | SCENIC |
| | | SEAT | AROSA |
| | | SEAT | CORDOBA |
| | | SEAT | IBIZA |
| | | SUZUKI | IGNIS |
| | | TOYOTA | IQ |
| | | TOYOTA | URBAN CRUISER |
| | | TOYOTA | VERSO |
| | | TOYOTA | YARIS |
| | | VOLKSWAGEN | LUPO |
| | | VOLKSWAGEN | POLO (III SERIES) 09-94→10-01 |
| | | VOLKSWAGEN | POLO (IV SERIES) 10-01→11-09 |
| | | VOLKSWAGEN | POLO (V SERIES) 06-09→ |
| | | VOLKSWAGEN | POLO CLASSIC |
| K-344101 | 41,0 | KIA | CARENS |
| | | KIA | SEPHIA |
| | | KIA | SHUMA |
| K-344201 | 42,8 | KIA | PICANTO |
| K-344401 | 44,0 | HONDA | PRELUDE |
| K-344603 | 46,0 | HONDA | ACCORD (VI SERIES) 03-97→12-03 |
| K-344701 | 47,0 | OPEL | ASTRA (G SERIES) |
| | | OPEL | ZAFIRA |
| K-344702 | 47,2 | HONDA | ACCORD (IV SERIES) 11-89→12-93 |
| | | HONDA | ACCORD (V SERIES) 03-93→10-98 |
| | | HONDA | ACCORD (VI SERIES) 03-97→12-03 |
| | | HONDA | CIVIC (VI SERIES) |
| | | HONDA | CIVIC (VII SERIES) |
| | | HONDA | CIVIC (VIII SERIES) |
| | | HONDA | PRELUDE |
| | | ROVER | 600 SERIES |
| | | SUZUKI | SX4 |
| K-344801 | 48,0 | HYUNDAI | COUPE |
| | | HYUNDAI | ELANTRA |
| | | HYUNDAI | LANTRA |
| | | KIA | CERATO |
| | | MITSUBISHI | COLT |
| | | NISSAN - DATSUN | ALMERA |
| | | NISSAN - DATSUN | MAXIMA |
| | | NISSAN - DATSUN | PRIMERA |
| | | NISSAN - DATSUN | SUNNY - PULSAR - 100NX (B13 SERIES) |
| | | SMART | FORFOUR |
| K-345001 | 49,7 | MINI | MINI (R50 - R53) |
| | | TOYOTA | YARIS |
| K-353901 | 39,5 | MAZDA | 323 (BG SERIES) 04-87→09-00 |
| | | MAZDA | 626 |
| | | MAZDA | 929 |
| | | MAZDA | RX7 |



| | | | |
|-------------------|------|------------|---|
| K-354001 | 40,0 | MAZDA | 323 (BJ SERIES) 05-98→05-04 |
| | | MAZDA | 626 |
| | | MAZDA | PREMACY |
| | | MAZDA | RX7 |
| K-354501 | 45,0 | MAZDA | 6 |
| | | TOYOTA | COROLLA (E11 SERIES) 04-97→06-02 |
| K-354503 | 45,0 | MITSUBISHI | CARISMA |
| | | MITSUBISHI | COLT |
| | | MITSUBISHI | ECLIPSE |
| | | MITSUBISHI | GALANT (IV SERIES) 11-87→03-93 |
| | | MITSUBISHI | LANCER (IV SERIES C6-C7) 04-88→05-94 |
| | | MITSUBISHI | LANCER (V SERIES CB-CD) 06-92→09-00 |
| K-354505 | 45,5 | MAZDA | MX5 |
| K-364701 | 47,0 | OPEL | ASTRA (G SERIES) |
| | | OPEL | ZAFIRA |
| K-364805 | 48,0 | MINI | MINI (R56) |
| | | OPEL | ASTRA (G SERIES) |
| | | OPEL | ASTRA (H SERIES) |
| | | OPEL | MERIVA |
| | | OPEL | ZAFIRA |
| K-364901-L | 49,0 | FIAT | GRANDE PUNTO |
| | | FIAT | PUNTO (199 SERIES) |
| | | OPEL | CORSA (D SERIES) |
| | | TOYOTA | AURIS |
| | | TOYOTA | COROLLA (E15 SERIES) 11-06→ |
| | | TOYOTA | COROLLA (E18 SERIES) 10-12→ |
| K-364901-R | 49,0 | FIAT | GRANDE PUNTO |
| | | FIAT | PUNTO (199 SERIES) |
| | | OPEL | CORSA (D SERIES) |
| | | TOYOTA | AURIS |
| | | TOYOTA | COROLLA (E15 SERIES) 11-06→ |
| | | TOYOTA | COROLLA (E18 SERIES) 10-12→ |
| K-365001 | 50,0 | FORD | TOURNEO |
| | | FORD | TRANSIT CONNECT |
| K-365101-L | 50,9 | RENAULT | ESPACE |
| | | RENAULT | LAGUNA |
| | | RENAULT | R21 - NEVADA |
| | | RENAULT | SAFRANE |
| K-365101-R | 50,9 | RENAULT | ESPACE |
| | | RENAULT | LAGUNA |
| | | RENAULT | R21 - NEVADA |
| | | RENAULT | SAFRANE |
| K-383001 | 30,5 | ALFA ROMEO | 75 - 90 |
| | | ALFA ROMEO | ALFETTA |
| | | ALFA ROMEO | GIULIETTA |
| | | ALFA ROMEO | GTV |
| | | ALFA ROMEO | SPIDER |
| | | PORSCHE | 914 |
| K-384102 | 41,0 | KIA | CARENS |

MANUFACTURAS WRACKYNSON

www.wrakynson.com

Page 649 of 822



CALIPER PISTONS & THEIR APPLICATIONS



| | | | |
|-------------------|------|-----------------|-----------------------------------|
| K-384601 | 46,8 | HONDA | LEGEND |
| | | HYUNDAI | SONATA |
| | | LEXUS | LS |
| | | MAZDA | CX-5 |
| | | NISSAN - DATSUN | ALMERA |
| | | NISSAN - DATSUN | BLUEBIRD |
| | | NISSAN - DATSUN | MAXIMA |
| | | NISSAN - DATSUN | PRIMERA |
| | | ROVER | 800 SERIES |
| | | ROVER | MG |
| | | SUBARU | TREZIA |
| | | TOYOTA | AURIS |
| | | TOYOTA | COROLLA (E15 SERIES) 11-06→ |
| | | TOYOTA | IQ |
| | | TOYOTA | PRIUS |
| | | TOYOTA | URBAN CRUISER |
| | | TOYOTA | YARIS |
| K-384701 | 47,2 | HONDA | ACCORD (IV SERIES) 11-89→12-93 |
| | | HONDA | ACCORD (V SERIES) 03-93→10-98 |
| | | HONDA | LEGEND |
| | | MAZDA | MX5 |
| K-384702 | 47,0 | FIAT | MULTIPLA |
| | | FIAT | STILO |
| | | OPEL | ASTRA (G SERIES) |
| | | OPEL | ZAFIRA |
| K-384805 | 48,0 | CHEVROLET | CRUZE |
| | | OPEL | AMPERA |
| | | OPEL | ASTRA (J SERIES) |
| | | OPEL | MOKKA |
| | | OPEL | ZAFIRA |
| K-384901-L | 49,0 | ALFA ROMEO | MITO |
| | | AUDI | A3 (8P SERIES) 02→12 |
| | | CITROËN | C4 |
| | | FIAT | BRAVO - BRAVA |
| | | FIAT | MULTIPLA |
| | | FIAT | STILO |
| | | FORD | MONDEO |
| | | JAGUAR | X-TYPE |
| | | PEUGEOT | 207 |
| | | PEUGEOT | 307 |
| | | SEAT | ALTEA |
| | | SEAT | LEON |
| | | SKODA | OCTAVIA |
| | | SKODA | SUPERB |
| | | SKODA | YETI |
| | | VOLKSWAGEN | CADDY |
| | | VOLKSWAGEN | GOLF (VI SERIES) 10-08→11-13 |
| | | VOLKSWAGEN | JETTA (III SERIES) 08-05→10-10 |
| | | VOLKSWAGEN | JETTA (IV SERIES) 04-10→ |
| | | VOLKSWAGEN | NEW BEETLE |



| | | | |
|-------------------|------|-----------------|--------------------------------|
| | | VOLKSWAGEN | TOURAN |
| K-384901-R | 49,0 | ALFA ROMEO | MITO |
| | | AUDI | A3 (8P SERIES) 02→12 |
| | | CITROËN | C4 |
| | | FIAT | BRAVO - BRAVA |
| | | FIAT | MULTIPLA |
| | | FIAT | STILO |
| | | FORD | MONDEO |
| | | JAGUAR | X-TYPE |
| | | PEUGEOT | 207 |
| | | PEUGEOT | 307 |
| | | SEAT | ALTEA |
| | | SEAT | LEON |
| | | SKODA | OCTAVIA |
| | | SKODA | SUPERB |
| | | SKODA | YETI |
| | | VOLKSWAGEN | CADDY |
| | | VOLKSWAGEN | GOLF (VI SERIES) 10-08→11-13 |
| | | VOLKSWAGEN | JETTA (III SERIES) 08-05→10-10 |
| | | VOLKSWAGEN | JETTA (IV SERIES) 04-10→ |
| | | VOLKSWAGEN | NEW BEETLE |
| | | VOLKSWAGEN | TOURAN |
| K-384902 | 49,7 | CITROËN | C5 |
| | | FORD | C-MAX |
| | | FORD | FOCUS |
| | | FORD | FOCUS C-MAX |
| | | MAZDA | 3 |
| | | MAZDA | 5 |
| | | NISSAN - DATSUN | PRIMERA |
| | | OPEL | SIGNUM |
| | | OPEL | VECTRA |
| | | RENAULT | ESPACE |
| | | RENAULT | LAGUNA |
| | | RENAULT | MEGANE |
| | | RENAULT | VEL SATIS |
| | | SAAB | 9.3 |
| | | VOLVO | C30 |
| | | VOLVO | S40 - V40 - V50 |
| | | VOLVO | S70 - V70 - C70 |
| K-385002-L | 50,4 | CITROËN | C4 |
| | | TOYOTA | AVENSIS |
| K-385002-R | 50,4 | CITROËN | C4 |
| | | TOYOTA | AVENSIS |
| K-385101 | 51,0 | ALFA ROMEO | 145 - 146 |
| | | ALFA ROMEO | 147 |
| | | ALFA ROMEO | 156 |
| | | ALFA ROMEO | 159 |
| | | ALFA ROMEO | 164 |
| | | ALFA ROMEO | 166 |
| | | ALFA ROMEO | BRERA |
| | | ALFA ROMEO | GIULIETTA |

MANUFACTURAS WRKYNSON

www.wrakynson.com

Page 650 of 822



CALIPER PISTONS & THEIR APPLICATIONS



| | | | | | |
|-----------------|------|-----------------|-----------------------------------|------------|-------------------------------------|
| K-385101 | 51,0 | ALFA ROMEO | GT | OPEL | ASTRA (G SERIES) |
| | | ALFA ROMEO | MITO | OPEL | ASTRA (H SERIES) |
| | | ALFA ROMEO | SPIDER | OPEL | COMBO |
| | | AUDI | 100 (C3 SERIES) 82→90 | OPEL | MERIVA |
| | | AUDI | 100 (C4 SERIES) 90→95 | OPEL | ZAFIRA |
| | | AUDI | 200 | PEUGEOT | 1007 |
| | | AUDI | 80 - 90 (B3 SERIES) 86→91 | PEUGEOT | 207 |
| | | AUDI | 80 (B4 SERIES) 91→95 | PEUGEOT | 3008 |
| | | AUDI | A1 | PEUGEOT | 307 |
| | | AUDI | A3 (8L SERIES) 96→03 | PEUGEOT | 308 |
| | | AUDI | A3 (8P SERIES) 02→12 | PEUGEOT | 405 |
| | | AUDI | A4 (B5 SERIES) 94→01 | PEUGEOT | 407 |
| | | AUDI | A4 (B6 SERIES) 01→05 | PEUGEOT | 5008 |
| | | AUDI | A4 (B7 SERIES) 05→07 | PEUGEOT | 607 |
| | | AUDI | A6 (C4 SERIES) 94→97 | PEUGEOT | 807 |
| | | AUDI | A6 (C5 SERIES) 97→04 | PEUGEOT | PARTNER |
| | | AUDI | A8 (4D SERIES) 94→03 | RENAULT | AVANTIME |
| | | AUDI | ALLROAD | RENAULT | CLIO |
| | | AUDI | CABRIOLET | RENAULT | ESPACE |
| | | AUDI | COUPE | RENAULT | GRAND SCENIC |
| | | AUDI | QUATTRO | RENAULT | KANGOO |
| | | AUDI | TT (8J SERIES) 07→14 | RENAULT | MEGANE |
| | | AUDI | TT (8N SERIES) 98→06 | RENAULT | SCENIC |
| | | CITROËN | BERLINGO | SEAT | ALHAMBRA |
| | | CITROËN | C2 | SEAT | ALTEA |
| | | CITROËN | C3 | SEAT | CORDOBA |
| | | CITROËN | C4 | SEAT | IBIZA |
| | | CITROËN | C5 | SEAT | LEON |
| | | CITROËN | C6 | SEAT | TOLEDO |
| | | CITROËN | C8 | SKODA | FABIA |
| | | CITROËN | DS3 | SKODA | OCTAVIA |
| | | CITROËN | XSARA | SKODA | RAPID |
| | | FIAT | 500 | SKODA | ROOMSTER |
| | | FIAT | CROMA | SKODA | SUPERB |
| | | FIAT | LINEA | SKODA | YETI |
| | | FIAT | ULYSSE | TOYOTA | AVENSIS |
| | | FORD | FOCUS | TOYOTA | COROLLA (E11 SERIES) 04-97→06-02 |
| | | FORD | GALAXY | VOLKSWAGEN | BORA |
| | | FORD | KUGA | VOLKSWAGEN | CORRADO |
| | | FORD | MONDEO | VOLKSWAGEN | EOS |
| | | FORD | S-MAX | VOLKSWAGEN | GOLF (II SERIES) 08-83→12-92 |
| | | HONDA | ACCORD (VI SERIES) 03-97→12-03 | VOLKSWAGEN | GOLF (III SERIES) 08-91→07-98 |
| | | HONDA | ACCORD (VII SERIES) 02-03→ | VOLKSWAGEN | GOLF (IV SERIES) 08-97→06-05 |
| | | LANCIA | KAPPA | VOLKSWAGEN | GOLF (V SERIES) 10-03→02-09 |
| | | LANCIA | LYBRA | VOLKSWAGEN | GOLF (VI SERIES) 10-08→11-13 |
| | | LANCIA | PHEDRA | VOLKSWAGEN | GOLF PLUS 01-05→ |
| | | LANCIA | THEMA - GAMMA | VOLKSWAGEN | JETTA (II SERIES) 08-83→12-92 |
| | | MITSUBISHI | CARISMA | VOLKSWAGEN | JETTA (III SERIES) 08-05→10-10 |
| | | MITSUBISHI | SPACE STAR | VOLKSWAGEN | JETTA (IV SERIES) 04-10→ |
| | | NISSAN - DATSUN | ALMERA | VOLKSWAGEN | NEW BEETLE |
| | | NISSAN - DATSUN | PRIMERA | VOLKSWAGEN | PASSAT (32B) 11-79→06-89 |

MANUFACTURAS WRACKYNSON

www.wrakynson.com

Page 651 of 822



CALIPER PISTONS & THEIR APPLICATIONS



| | | | |
|-------------------|------|-----------------|--|
| K-385101 | 51,0 | VOLKSWAGEN | PASSAT (3A2 - 35I - 3A5 - 35I) 02-88→12-97 |
| | | VOLKSWAGEN | PASSAT (3B2 - 3B5) 08-96→12-01 |
| | | VOLKSWAGEN | PASSAT (3B3 - 3B6) 11-00→05-05 |
| | | VOLKSWAGEN | POLO (III SERIES) 09-94→10-01 |
| | | VOLKSWAGEN | SHARAN |
| | | VOLKSWAGEN | TRANSPORTER (IV SERIES) 07-90→04-03 |
| | | VOLKSWAGEN | VENTO |
| | | VOLVO | S40 - V40 - V50 |
| K-385102-L | 51,0 | FORD | MONDEO |
| | | RENAULT | KANGOO |
| K-385102-R | 51,0 | FORD | MONDEO |
| | | RENAULT | KANGOO |
| K-385103-L | 51,0 | JAGUAR | X-TYPE |
| | | RENAULT | KANGOO |
| K-385103-R | 51,0 | JAGUAR | X-TYPE |
| | | RENAULT | KANGOO |
| K-404701 | 47,0 | HONDA | S2000 |
| K-404803 | 48,0 | CHEVROLET | CRUZE |
| | | CHEVROLET | ORLANDO |
| | | OPEL | ASTRA (J SERIES) |
| | | OPEL | ZAFIRA |
| K-404905 | 49,7 | OPEL | GT |
| | | OPEL | SIGNUM |
| | | OPEL | VECTRA |
| | | SAAB | 9.3 |
| K-414301 | 44,0 | ISUZU | TROOPER |
| K-414601 | 46,5 | TOYOTA | MR2 |
| K-415101 | 51,0 | ALFA ROMEO | 159 |
| | | ALFA ROMEO | BRERA |
| | | ALFA ROMEO | SPIDER |
| | | AUDI | A3 (8L SERIES) 96→03 |
| | | AUDI | A3 (8P SERIES) 02→12 |
| | | AUDI | A4 (B7 SERIES) 05→07 |
| | | AUDI | TT (8J SERIES) 07→14 |
| | | AUDI | TT (8N SERIES) 98→06 |
| | | CITROËN | JUMPY |
| | | FIAT | CROMA |
| | | FIAT | SCUDO |
| | | NISSAN - DATSUN | PRIMASTAR |
| | | OPEL | INSIGNIA |
| | | OPEL | VIVARO |
| | | OPEL | ZAFIRA |
| | | PEUGEOT | EXPERT |
| | | RENAULT | TRAFIC |
| | | SAAB | 9.5 |
| | | SEAT | ALTEA |
| | | SEAT | LEON |
| | | SEAT | TOLEDO |
| | | SKODA | OCTAVIA |

| | | | |
|-------------------|------|-----------------|--------------------------------|
| | | SKODA | SUPERB |
| | | SKODA | YETI |
| | | VOLKSWAGEN | BORA |
| | | VOLKSWAGEN | CADDY |
| | | VOLKSWAGEN | EOS |
| | | VOLKSWAGEN | GOLF (IV SERIES) 08-97→06-05 |
| | | VOLKSWAGEN | GOLF (V SERIES) 10-03→02-09 |
| | | VOLKSWAGEN | GOLF (VI SERIES) 10-08→11-13 |
| | | VOLKSWAGEN | GOLF PLUS 01-05→ |
| | | VOLKSWAGEN | JETTA (III SERIES) 08-05→10-10 |
| | | VOLKSWAGEN | MULTIVAN |
| | | VOLKSWAGEN | TOURAN |
| | | VOLKSWAGEN | TRANSPORTER (V SERIES) 04-03→ |
| K-424601 | 46,8 | FORD | ESCORT - ORION |
| | | FORD | GRANADA - CONSUL |
| | | FORD | SCORPIO |
| | | FORD | SIERRA |
| | | MAZDA | RX8 |
| | | NISSAN - DATSUN | 280ZX |
| | | NISSAN - DATSUN | 300ZX |
| | | NISSAN - DATSUN | FAIRLADY |
| | | NISSAN - DATSUN | SILVIA |
| K-425102 | 51,3 | AUDI | 100 (C3 SERIES) 82→90 |
| | | AUDI | 100 (C4 SERIES) 90→95 |
| | | AUDI | 200 |
| | | AUDI | A4 (B5 SERIES) 94→01 |
| | | AUDI | A4 (B6 SERIES) 01→05 |
| | | AUDI | A4 (B7 SERIES) 05→07 |
| | | AUDI | A6 (C4 SERIES) 94→97 |
| | | AUDI | A6 (C5 SERIES) 97→04 |
| | | AUDI | A8 (4D SERIES) 94→03 |
| | | AUDI | ALLROAD |
| | | AUDI | QUATTRO |
| | | AUDI | V8 |
| | | CHRYSLER | VOYAGER |
| | | DODGE | JOURNEY |
| | | FIAT | FREEMONT |
| | | JAGUAR | S-TYPE |
| | | JAGUAR | XJ - XJS |
| | | LANCIA | VOYAGER LIMUSINA |
| | | VOLKSWAGEN | PASSAT (3B3 - 3B6) 11-00→05-05 |
| | | VOLKSWAGEN | PHAETON |
| K-425103-L | 51,0 | NISSAN - DATSUN | INTERSTART |
| | | OPEL | MOVANO |
| | | RENAULT | MASTER |
| K-425103-R | 51,0 | NISSAN - DATSUN | INTERSTART |
| | | OPEL | MOVANO |
| | | RENAULT | MASTER |
| K-434602 | 46,0 | TOYOTA | MR2 |
| K-444602 | 46,0 | TOYOTA | MR2 |
| K-454901 | 49,7 | JAGUAR | XF |

MANUFACTURAS WR McKaynson

www.wrakynson.com

Page 652 of 822



CALIPER PISTONS & THEIR APPLICATIONS



| | | | |
|-------------------|------|--|---|
| K-454901 | 49,7 | JAGUAR JAGUAR | XJ - XJS XK SERIES |
| K-466601-L | 66,0 | NISSAN - DATSUN | CABSTAR - ATLAS |
| K-466601-R | 66,0 | NISSAN - DATSUN | CABSTAR - ATLAS |
| K-485205-L | 52,0 | FORD | TRANSIT (V SERIES) 06→13 |
| K-485205-R | 52,0 | FORD | TRANSIT (V SERIES) 06→13 |
| K-485303 | 53,5 | NISSAN - DATSUN OPEL RENAULT | NV400 MOVANO MASTER |
| K-526501-L | 65,0 | IVECO IVECO | DAILY (III SERIES) 06-99→05-06 DAILY (IV SERIES) 06-06→09-11 |
| K-526501-R | 65,0 | IVECO IVECO | DAILY (III SERIES) 06-99→05-06 DAILY (IV SERIES) 06-06→09-11 |
| K-545203-L | 52,7 | CITROËN | C5 |
| K-545203-R | 52,7 | CITROËN | C5 |
| K-545402 | 54,0 | CITROËN | XANTIA |
| K-575104 | 51,6 | CITROËN CITROËN | XANTIA XM |
| K-575201-L | 52,7 | CITROËN | C5 |
| K-575201-R | 52,7 | CITROËN | C5 |
| K-605104 | 51,2 | CITROËN | XANTIA |
| K-605401 | 54,0 | NISSAN - DATSUN OPEL RENAULT | NV400 MOVANO MASTER |
| K-606501-L | 65,0 | IVECO | DAILY (IV SERIES) 06-06→09-11 |
| K-606501-R | 65,0 | IVECO | DAILY (IV SERIES) 06-06→09-11 |
| P-282901 | 29,0 | JAGUAR JAGUAR | S-TYPE XJ - XJS |
| P-283001 | 30,0 | BMW BMW BMW BMW BMW BMW VOLVO VOLVO | 1 SERIES (E81 - E87) 09-04→ 1 SERIES CABRIO (E88) 03-07→ 1 SERIES COUPE (E82) 09-07→ 3 SERIES (E90) 05→ 3 SERIES (E92) 6-06→ 3 SERIES (E93) 8-06→ 3 TOURING (E91) 05→ S60 - S80 S70 - V70 - C70 |
| P-283101 | 31,5 | AUDI | Q7 |
| P-283201 | 32,0 | PORSCHE PORSCHE | 928 944 |
| P-283202 | 32,0 | AUDI PORSCHE VOLKSWAGEN | Q7 944 TOUAREG |
| P-284701 | 47,5 | MERCEDES | A-CLASS (W168) 07-97→08-04 |
| P-302801 | 28,8 | SAAB SAAB SAAB | 90 900 99 |
| P-302901 | 29,0 | JAGUAR JAGUAR | S-TYPE XJ - XJS |



| | | | |
|-----------------|------|--|---|
| P-303001 | 30,0 | VOLVO VOLVO | S60 - S80 S70 - V70 - C70 |
| P-303101 | 31,5 | AUDI VOLKSWAGEN | Q7 TOUAREG |
| P-303201 | 32,0 | PORSCHE PORSCHE | 928 944 |
| P-303202 | 32,0 | AUDI PORSCHE VOLKSWAGEN | Q7 944 TOUAREG |
| P-303801 | 38,5 | CITROËN CITROËN PEUGEOT PEUGEOT PEUGEOT PEUGEOT PEUGEOT RENAULT RENAULT RENAULT RENAULT RENAULT | SAXO ZX 106 205 206 306 309 CLIO MEGANE R19 - CHAMADE R9 - R11 SUPER 5 |
| P-304001 | 40,0 | DAIHATSU MAZDA | CHARADE MX3 |
| P-304002 | 40,5 | HONDA HONDA HONDA | ACCORD (III SERIES) 11-85→12-89 INTEGRA PRELUDE |
| P-304101 | 41,6 | FORD MAZDA MAZDA | PROBE 323 (BF - BW SERIES) 08-85→10-98 626 |
| P-304102 | 41,0 | NISSAN - DATSUN NISSAN - DATSUN | SENTRA SUNNY - PULSAR - 100NX (B13 SERIES) |
| P-304301 | 43,8 | HONDA HONDA HONDA HONDA HONDA HONDA ROVER ROVER ROVER ROVER | CIVIC (IV SERIES) CIVIC (V SERIES) CIVIC (VI SERIES) CONCERTO CRX JAZZ 200 - 400 SERIES 25 45 STREETWISE |
| P-304401 | 44,7 | FIAT HONDA | UNO PRELUDE |
| P-304501 | 45,5 | DAIHATSU FORD MAZDA MAZDA MAZDA MAZDA | APPLAUSE PROBE 323 (BA SERIE) 05-94→01-01 323 (BG SERIES) 04-87→09-00 626 MX6 |

MANUFACTURAS WRACKYNSON

www.wrakynson.com

Page 653 of 822



CALIPER PISTONS & THEIR APPLICATIONS



| | | | |
|-----------------|------|------------|---|
| P-334601 | 46,8 | RENAULT | CLIO |
| | | RENAULT | FLUENCE |
| | | RENAULT | MEGANE |
| | | RENAULT | MEGANE SCENIC |
| | | RENAULT | MODUS |
| | | RENAULT | SCENIC |
| | | SEAT | AROSA |
| | | SEAT | CORDOBA |
| | | SEAT | IBIZA |
| | | SUZUKI | IGNIS |
| | | TOYOTA | IQ |
| | | TOYOTA | URBAN CRUISER |
| | | TOYOTA | YARIS |
| | | VOLKSWAGEN | LUPO |
| | | VOLKSWAGEN | POLO (III SERIES) 09-94→10-01 |
| | | VOLKSWAGEN | POLO (IV SERIES) 10-01→11-09 |
| | | VOLKSWAGEN | POLO (V SERIES) 06-09→ |
| | | VOLKSWAGEN | POLO CLASSIC |
| P-334801 | 48,0 | BMW | 3 SERIES (E30) 83→ |
| | | BMW | 5 SERIES (E28) 81→88 |
| | | BMW | 6 SERIES (E24) 76→88 |
| | | BMW | 7 SERIES (E23) 77→86 |
| P-334901 | 49,0 | MERCEDES | V-CLASS (BM638-2) 2-96→7-03 |
| | | MERCEDES | VITO (BM638) 02-96→7-03 |
| | | PEUGEOT | 406 |
| | | PEUGEOT | 605 |
| | | PEUGEOT | 607 |
| P-335001 | 50,2 | MERCEDES | V-CLASS (BM638-2) 2-96→7-03 |
| | | MERCEDES | VITO (BM638) 02-96→7-03 |
| P-342801 | 28,6 | TOYOTA | 4-RUNNER |
| | | TOYOTA | HILUX |
| | | TOYOTA | LAND CRUISER |
| P-342802 | 28,5 | SKODA | RAPID |
| | | SKODA | S100 - 105 - 110 - 120 - 130 - 136 |
| P-342901 | 29,0 | AUDI | COUPE |
| | | BMW | 1500 - 2000CS (115 - 116 - 118 - 121) 10-62→11-72 |
| | | BMW | 1502 - 2002TII (02) (E10 - E6) 66→77 |
| | | VOLKSWAGEN | K70 |
| P-343001 | 30,0 | VOLVO | 740 - 760 - 780 |
| P-343101 | 31,5 | AUDI | A6 (C7 SERIES) 11→ |
| | | AUDI | A7 |
| | | AUDI | A8 (4H SERIES) 10→ |
| | | AUDI | Q7 |
| | | VOLKSWAGEN | TOUAREG |
| P-344001 | 40,0 | FIAT | 124 |
| | | FIAT | ARGENTA - NUOVA |
| | | FIAT | X 1-9 |
| | | POLSKI | 125 - 126 |
| | | POLSKI | 127 - 132 |
| | | POLSKI | POLONEZ |

| | | | |
|-----------------|------|------------|-------------------------------------|
| | | SEAT | 124 - 128 - 1200 - 1430 - D - SPORT |
| P-344101 | 41,0 | KIA | CARENS |
| | | KIA | SEPHIA |
| | | KIA | SHUMA |
| P-344102 | 41,0 | KIA | CLARUS |
| P-344201 | 42,8 | KIA | PICANTO |
| P-344401 | 44,0 | HONDA | PRELUDE |
| P-344501 | 45,5 | FIAT | ARGENTA - NUOVA |
| | | FIAT | TEMPRA |
| | | LANCIA | DEDRA |
| | | LANCIA | DELTA - PRISMA |
| P-344602 | 46,0 | HYUNDAI | GETZ |
| | | HYUNDAI | MATRIX |
| | | HYUNDAI | SANTAMO |
| | | HYUNDAI | SONATA |
| | | HYUNDAI | TUCSON |
| | | HYUNDAI | XG |
| | | KIA | JOICE |
| | | KIA | MAGENTIS |
| | | KIA | OPIRUS |
| | | KIA | SOUL |
| | | KIA | SPORTAGE |
| | | MITSUBISHI | SANTAMO |
| P-344603 | 46,0 | HONDA | ACCORD (VI SERIES) 03-97→12-03 |
| P-344701 | 47,0 | OPEL | ASTRA (G SERIES) |
| | | OPEL | ZAFIRA |
| P-344702 | 47,2 | HONDA | ACCORD (IV SERIES) 11-89→12-93 |
| | | HONDA | ACCORD (V SERIES) 03-93→10-98 |
| | | HONDA | ACCORD (VI SERIES) 03-97→12-03 |
| | | HONDA | CIVIC (VI SERIES) |
| | | HONDA | CIVIC (VII SERIES) |
| | | HONDA | CIVIC (VIII SERIES) |
| | | HONDA | PRELUDE |
| | | ROVER | 600 SERIES |
| | | SUZUKI | SX4 |
| P-344703 | 47,5 | TOYOTA | COROLLA (E12 SERIES) 03-01→05-04 |
| P-344704 | 47,5 | TOYOTA | CELICA |
| | | TOYOTA | PRIUS |
| P-344705 | 47,5 | HYUNDAI | i30 |
| | | HYUNDAI | ix35 |
| | | HYUNDAI | SONATA |
| | | KIA | CEE'D |
| | | KIA | SPORTAGE |
| | | SUBARU | LEONE |
| | | SUBARU | L-SERIES 1300 - 1600 - 1800 |
| P-344706 | 47,2 | HYUNDAI | i30 |
| | | HYUNDAI | ix20 |
| | | HYUNDAI | VELOSTER |

MANUFACTURAS WRACKYNSON

www.wrakynson.com

Page 655 of 822



CALIPER PISTONS & THEIR APPLICATIONS



| | | | |
|-----------------|------|---|---|
| P-344706 | 47,2 | KIA | PICANTO |
| P-344707 | 47,0 | HYUNDAI KIA | SOLARIS RIO |
| P-344801 | 48,0 | HYUNDAI HYUNDAI HYUNDAI KIA MITSUBISHI NISSAN - DATSUN NISSAN - DATSUN NISSAN - DATSUN NISSAN - DATSUN SMART | COUPE ELANTRA LANTRA CERATO COLT ALMERA MAXIMA PRIMERA SUNNY - PULSAR - 100NX (B13 SERIES) FORFOUR |
| P-344802 | 48,0 | BMW | 3 SERIES (E36) 91→ |
| P-344901 | 49,0 | CHRYSLER | NEON |
| P-345001 | 49,7 | MINI TOYOTA | MINI (R50 - R53) YARIS |
| P-345201 | 52,0 | LAND ROVER MERCEDES RENAULT RENAULT RENAULT | RANGE ROVER EVOQUE A-CLASS (W176) 06-12→ GRAND SCENIC MEGANE SCENIC |
| P-352601 | 26,6 | MERCEDES MERCEDES MERCEDES | 124 - 200 - 500 (W124 SERIES) 85→06-93 190 (W201) 10-82→08-93 E-CLASS (W124-S124) 6-93→6-96 |
| P-352801 | 28,5 | MERCEDES MERCEDES MERCEDES MERCEDES MERCEDES OPEL OPEL OPEL OPEL OPEL SAAB SAAB | 124 - 200 - 500 (W124 SERIES) 85→06-93 190 (W201) 10-82→08-93 COUPE (C124) 3-87→5-93 E-CLASS (C124-A124) 5-93→3-98 E-CLASS (W124-S124) 6-93→6-96 ASTRA (F SERIES) CALIBRA KADETT OMEGA VECTRA 9.3 900 |
| P-353001 | 30,1 | MERCEDES | C-CLASS (W202) 3-93→5-00 |
| P-353901 | 39,5 | MAZDA MAZDA MAZDA MAZDA | 323 (BG SERIES) 04-87→09-00 626 929 RX7 |
| P-354001 | 40,0 | MAZDA MAZDA MAZDA MAZDA | 323 (BJ SERIES) 05-98→05-04 626 PREMACY RX7 |
| P-354401 | 44,5 | TOYOTA | COROLLA (E8 SERIES) 05-83→06-89 |



| | | | |
|-----------------|------|--|---|
| P-354402 | | DAEWOO | LEGANZA |
| P-354403 | 44,0 | TOYOTA | PRIUS |
| P-354501 | 45,0 | MAZDA TOYOTA | 6 COROLLA (E11 SERIES) 04-97→06-02 |
| P-354502 | 45,8 | CHRYSLER DODGE DODGE JEEP JEEP MITSUBISHI MITSUBISHI MITSUBISHI MITSUBISHI MITSUBISHI MITSUBISHI MITSUBISHI MITSUBISHI MITSUBISHI MITSUBISHI MITSUBISHI MITSUBISHI MITSUBISHI MITSUBISHI MITSUBISHI MITSUBISHI NISSAN - DATSUN NISSAN - DATSUN NISSAN - DATSUN NISSAN - DATSUN SUBARU SUBARU SUBARU TOYOTA TOYOTA | SEBRING AVENGER CALIBER COMPASS PATRIOT ASX ECLIPSE GALANT (IV SERIES) 11-87→03-93 GALANT (V SERIES) 11-92→10-96 GALANT (VI SERIES) 09-96→10-04 LANCER (VII SERIES CX-CY-CZ) 03-07→ MONTERO OUTLANDER PAJERO SAPPORO SIGMA SPACE RUNNER SPACE WAGON CUBE JUKE QASHQAI TIIDA X-TRAIL IMPREZA LEGACY (I SERIES) 01-89→08-94 LEGACY (II SERIES) 02-94→03-99 CARINA CELICA CARISMA COLT ECLIPSE GALANT (IV SERIES) 11-87→03-93 LANCER (IV SERIES C6-C7) 04-88→05-94 |
| P-354503 | 45,0 | MITSUBISHI MITSUBISHI MITSUBISHI MITSUBISHI MITSUBISHI MITSUBISHI | CARISMA COLT ECLIPSE GALANT (IV SERIES) 11-87→03-93 LANCER (IV SERIES C6-C7) 04-88→05-94 |
| P-354504 | 45,0 | LEXUS TOYOTA TOYOTA TOYOTA | ES CAMRY CARINA CELICA |
| P-354505 | 45,5 | MAZDA | MX5 |
| P-354601 | 46,0 | MAZDA NISSAN - DATSUN | XEDOS 200SX |
| P-354801 | 48,0 | BMW BMW BMW | 3 SERIES (E30) 83→ 5 SERIES (E28) 81→88 6 SERIES (E24) 76→88 |

MANUFACTURAS WRACKYNSON

www.wrakynson.com

Page 656 of 822



CALIPER PISTONS & THEIR APPLICATIONS



| | | | |
|-----------------|------|--|---|
| P-354901 | 49,0 | CHEVROLET CHEVROLET DAEWOO | EPICA EVANDA EVANDA |
| P-362801 | 28,8 | VOLVO VOLVO VOLVO | 140 - 164 240 - 260 AMAZON |
| P-362802 | 28,3 | ROVER | METRO |
| P-362901 | 29,2 | VOLVO VOLVO | 140 - 164 240 - 260 |
| P-362902 | 29,6 | MERCEDES MERCEDES MERCEDES MERCEDES MERCEDES MERCEDES MERCEDES | C-CLASS (S202-S203) 6-96→ C-CLASS (W202) 3-93→5-00 CLK (A208-A209) 3-98→ CLK (C208-C209) 6-97→ E-CLASS (W210-S210-T210) 6-95→3-03 S-CLASS (W108-W109) 1-66→8-72 SL (R129) 3-89→10-01 |
| P-362903 | 29,2 | CITROËN | XANTIA |
| P-363001 | 30,6 | MERCEDES MERCEDES MERCEDES MERCEDES MERCEDES MERCEDES MERCEDES MERCEDES MERCEDES MERCEDES | C-CLASS (S202-S203) 6-96→ C-CLASS (W202) 3-93→5-00 C-CLASS (W203) 5-00→ C-CLASS COUPE (CL203) 03-01→ CLC-CLASS (203) 5-08→ CLK (C208-C209) 6-97→ E-CLASS (W210-S210-T210) 6-95→3-03 SLK (R170) 4-96→4-04 SLK (R171) 3-04→ |
| P-363002 | 30,0 | VOLVO VOLVO | 740 - 760 - 780 940 - 960 |
| P-363003 | 30,0 | MAZDA | RX7 |
| P-363004 | 30,0 | BMW BMW BMW BMW BMW BMW BMW VOLKSWAGEN | 1 SERIES (E81 - E87) 09-04→ 1 SERIES CABRIO (E88) 03-07→ 1 SERIES COUPE (E82) 09-07→ 3 SERIES (E90) 05→ 3 SERIES (E92) 6-06→ 3 SERIES (E93) 8-06→ 3 TOURING (E91) 05→ TOUAREG |
| P-363005 | 30,0 | LAND ROVER LAND ROVER | RANGE ROVER RANGE ROVER SPORT |
| P-363101 | 31,5 | AUDI AUDI AUDI VOLKSWAGEN | A6 (C7 SERIES) 11→ A7 A8 (4H SERIES) 10→ TOUAREG |
| P-364001 | 40,0 | JAGUAR | XJ - XJS |
| P-364401 | 44,0 | TOYOTA | MR2 |
| P-364501 | 45,8 | TOYOTA | MR2 |
| P-364502 | 45,5 | FIAT LANCIA | CROMA BETA - TREVI |



| | | | |
|-----------------|------|--|---|
| | | LANCIA RENAULT | THEMA - GAMMA ESPACE |
| P-364503 | 45,5 | RENAULT RENAULT RENAULT RENAULT RENAULT RENAULT RENAULT RENAULT RENAULT | ESPACE FUEGO R12 R17 R18 R21 - NEVADA R25 R30 R5 - R6 |
| P-364701 | 47,0 | OPEL OPEL | ASTRA (G SERIES) ZAFIRA |
| P-364702 | 47,5 | TOYOTA TOYOTA TOYOTA | COROLLA (E12 SERIES) 03-01→05-04 COROLLA VERSO (E12 SERIES) 09-01→01-04 PRIUS |
| P-364801 | 48,0 | ALFA ROMEO AUDI AUDI AUDI AUDI AUDI AUDI AUDI FIAT LANCIA VOLKSWAGEN VOLKSWAGEN VOLKSWAGEN VOLKSWAGEN | 164 100 (C3 SERIES) 82→90 100 (C4 SERIES) 90→95 200 80 - 90 (B2 SERIES) 78→86 80 - 90 (B3 SERIES) 86→91 COUPE QUATTRO CROMA THEMA - GAMMA GOLF (II SERIES) 08-83→12-92 JETTA (II SERIES) 08-83→12-92 PASSAT (32B) 11-79→06-89 SCIROCCO |
| P-364802 | 48,5 | FORD FORD | COUGAR MONDEO |
| P-364803 | 48,0 | BMW BMW BMW CITROËN FIAT JAGUAR LANCIA PEUGEOT ROVER | 3 SERIES (E36) 91→ Z1 Z3 EVASION ULYSSE XJ - XJS ZETA 806 75 SERIES |
| P-364804 | 48,5 | CHRYSLER | PT CRUISER |
| P-364805 | 48,0 | MINI OPEL OPEL OPEL OPEL | MINI (R56) ASTRA (G SERIES) ASTRA (H SERIES) MERIVA ZAFIRA |
| P-364901 | 49,0 | FIAT FIAT OPEL | GRANDE PUNTO PUNTO (199 SERIES) CORSA (D SERIES) |



CALIPER PISTONS & THEIR APPLICATIONS



| | | | |
|-----------------|------|-----------------|--------------------------------------|
| P-383201 | 32,7 | MERCEDES | C-CLASS (W202) 3-93→5-00 |
| | | MERCEDES | CLK (A208-A209) 3-98→ |
| | | MERCEDES | CLK (C208-C209) 6-97→ |
| | | MERCEDES | E-CLASS (W210-S210-T210) 6-95→3-03 |
| P-383202 | 32,5 | NISSAN - DATSUN | 300ZX |
| P-383203 | 32,0 | ALFA ROMEO | 147 |
| | | JAGUAR | S-TYPE |
| | | JAGUAR | XJ - XJS |
| | | NISSAN - DATSUN | 350Z |
| | | PEUGEOT | 406 |
| P-384101 | 41,5 | VOLVO | 740 - 760 - 780 |
| | | VOLVO | 940 - 960 |
| | | VOLVO | S90 - V90 |
| P-384102 | 41,0 | KIA | CARENS |
| P-384103 | 40,8 | MITSUBISHI | MONTERO |
| | | MITSUBISHI | PAJERO |
| P-384104 | 41,5 | RENAULT | R8 - R10 |
| P-384401 | 44,5 | TOYOTA | AVALON |
| | | TOYOTA | CAMRY |
| | | TOYOTA | RAV-4 |
| P-384501 | 45,0 | TOYOTA | AVENSIS |
| | | TOYOTA | CAMRY |
| | | TOYOTA | CARINA |
| P-384502 | 45,0 | TOYOTA | CAMRY |
| P-384601 | 46,8 | HONDA | LEGEND |
| | | HYUNDAI | SONATA |
| | | LEXUS | LS |
| | | MAZDA | CX-5 |
| | | NISSAN - DATSUN | ALMERA |
| | | NISSAN - DATSUN | BLUEBIRD |
| | | NISSAN - DATSUN | MAXIMA |
| | | NISSAN - DATSUN | PRIMERA |
| | | ROVER | 800 SERIES |
| | | ROVER | MG |
| | | SUBARU | TREZIA |
| | | TOYOTA | AURIS |
| | | TOYOTA | COROLLA (E15 SERIES) 11-06→ |
| | | TOYOTA | IQ |
| | | TOYOTA | PRIUS |
| | | TOYOTA | URBAN CRUISER |
| | | TOYOTA | YARIS |
| P-384602 | 46,0 | CHEVROLET | TRANS SPORT |
| | | CITROËN | C CROSSER |
| | | ISUZU | IMPULSE |
| | | MITSUBISHI | GALANT (V SERIES) 11-92→10-96 |
| | | MITSUBISHI | GRANDIS |
| | | MITSUBISHI | L400 |
| | | MITSUBISHI | LANCER (VI SERIES CS-CT) 12-00→03-11 |
| | | MITSUBISHI | LANCER (VII SERIES CX-CY-CZ) 03-07→ |

| | | | |
|-----------------|------|------------|-----------------------------------|
| | | MITSUBISHI | OUTLANDER |
| | | MITSUBISHI | SPACE GEAR |
| | | MITSUBISHI | SPACE WAGON |
| | | OPEL | SINTRA |
| | | PEUGEOT | 4007 |
| | | SUBARU | FORESTER |
| | | SUBARU | IMPREZA |
| | | SUBARU | LEGACY (I SERIES) 01-89→08-94 |
| | | SUBARU | LEGACY (II SERIES) 02-94→03-99 |
| | | SUBARU | LEGACY (III SERIES) 10-98→08-03 |
| | | SUBARU | LEGACY (IV SERIES) 09-03→08-09 |
| | | SUBARU | OUTBACK |
| | | TOYOTA | CELICA |
| | | TOYOTA | SUPRA |
| P-384603 | 46,0 | HONDA | ACCORD (VII SERIES) 02-03→ |
| | | HONDA | CR-V (II SERIES) |
| | | HONDA | FR-V |
| | | HONDA | LEGEND |
| | | HONDA | SHUTTLE |
| | | HONDA | STREAM |
| P-384604 | 46,0 | HONDA | ACCORD (VIII SERIES) 06-08→ |
| P-384701 | 47,2 | HONDA | ACCORD (IV SERIES) 11-89→12-93 |
| | | HONDA | ACCORD (V SERIES) 03-93→10-98 |
| | | HONDA | LEGEND |
| | | MAZDA | MX5 |
| P-384702 | 47,0 | FIAT | MULTIPLA |
| | | FIAT | STILO |
| | | OPEL | ASTRA (G SERIES) |
| | | OPEL | ZAFIRA |
| P-384703 | 47,0 | HONDA | ACCORD (VIII SERIES) 06-08→ |
| P-384704 | 47,0 | KIA | CARENS |
| P-384801 | 48,0 | BMW | 3 SERIES (E30) 83→ |
| | | BMW | 3 SERIES (E36) 91→ |
| | | BMW | 7 SERIES (E32) 87→ |
| | | SAAB | 9.3 |
| | | SAAB | 9.5 |
| P-384802 | 48,5 | HONDA | ACCORD (VIII SERIES) 06-08→ |
| | | HONDA | CR-V (III SERIES) |
| | | HONDA | CR-V (IV SERIES) |
| | | TOYOTA | AVENSIS |
| | | TOYOTA | COROLLA (E13 SERIES) 03-04→04-09 |
| | | TOYOTA | COROLLA VERSO (R10 SERIES) 02-04→ |
| | | TOYOTA | PREVIA |
| | | TOYOTA | VERSO |
| P-384803 | 48,8 | SUBARU | LEGACY (IV SERIES) 09-03→08-09 |
| | | SUBARU | LEGACY (V SERIES) 09-09→ |
| | | SUBARU | OUTBACK |

MANUFACTURAS WRACKYNSON

www.wrakynson.com

Page 659 of 822



CALIPER PISTONS & THEIR APPLICATIONS



| | | | |
|-----------------|------|-----------------|--------------------------------|
| P-384803 | 48,8 | SUBARU | XV |
| P-384804 | 48,5 | HYUNDAI | i40 |
| P-384805 | 48,0 | CHEVROLET | CRUZE |
| | | OPEL | AMPERA |
| | | OPEL | ASTRA (J SERIES) |
| | | OPEL | MOKKA |
| | | OPEL | ZAFIRA |
| P-384901 | 49,0 | ALFA ROMEO | MITO |
| | | AUDI | A3 (8P SERIES) 02→12 |
| | | CITROËN | C4 |
| | | FIAT | BRAVO - BRAVA |
| | | FIAT | MULTIPLA |
| | | FIAT | STILO |
| | | FORD | MONDEO |
| | | JAGUAR | X-TYPE |
| | | PEUGEOT | 207 |
| | | PEUGEOT | 307 |
| | | SEAT | ALTEA |
| | | SEAT | LEON |
| | | SKODA | OCTAVIA |
| | | SKODA | SUPERB |
| | | SKODA | YETI |
| | | VOLKSWAGEN | CADDY |
| | | VOLKSWAGEN | GOLF (VI SERIES) 10-08→11-13 |
| | | VOLKSWAGEN | JETTA (III SERIES) 08-05→10-10 |
| | | VOLKSWAGEN | JETTA (IV SERIES) 04-10→ |
| | | VOLKSWAGEN | NEW BEETLE |
| | | VOLKSWAGEN | TOURAN |
| P-384902 | 49,7 | CITROËN | C5 |
| | | FORD | C-MAX |
| | | FORD | FOCUS |
| | | FORD | FOCUS C-MAX |
| | | MAZDA | 3 |
| | | MAZDA | 5 |
| | | NISSAN - DATSUN | PRIMERA |
| | | OPEL | SIGNUM |
| | | OPEL | VECTRA |
| | | RENAULT | ESPACE |
| | | RENAULT | LAGUNA |
| | | RENAULT | MEGANE |
| | | RENAULT | VEL SATIS |
| | | SAAB | 9.3 |
| | | VOLVO | C30 |
| | | VOLVO | S40 - V40 - V50 |
| | | VOLVO | S70 - V70 - C70 |
| P-384903 | 49,4 | HYUNDAI | SANTA FÉ |
| | | HYUNDAI | TRAJET |
| | | MINIBISHI | SANTAMO |
| P-385001 | 50,0 | BMW | 5 SERIES (E34) 88→ |
| | | BMW | 7 SERIES (E32) 87→ |
| P-385002 | 50,4 | CITROËN | C4 |



| | | | |
|-----------------|------|------------|-----------------------------|
| | | TOYOTA | AVENSIS |
| P-385003 | 50,5 | MERCEDES | C-CLASS (W204-S204) 1-07→ |
| | | MERCEDES | C-CLASS COUPE (C204) 06-11→ |
| | | MERCEDES | E-CLASS CABRIO (A207) |
| | | MERCEDES | E-CLASS COUPE (C207) 01-09→ |
| P-385004 | 50,0 | JAGUAR | S-TYPE |
| | | JAGUAR | XJ - XJS |
| P-385101 | 51,0 | ALFA ROMEO | 145 - 146 |
| | | ALFA ROMEO | 147 |
| | | ALFA ROMEO | 156 |
| | | ALFA ROMEO | 159 |
| | | ALFA ROMEO | 164 |
| | | ALFA ROMEO | 166 |
| | | ALFA ROMEO | BRERA |
| | | ALFA ROMEO | GIULIETTA |
| | | ALFA ROMEO | GT |
| | | ALFA ROMEO | MITO |
| | | ALFA ROMEO | SPIDER |
| | | AUDI | 100 (C3 SERIES) 82→90 |
| | | AUDI | 100 (C4 SERIES) 90→95 |
| | | AUDI | 200 |
| | | AUDI | 80 - 90 (B3 SERIES) 86→91 |
| | | AUDI | 80 (B4 SERIES) 91→95 |
| | | AUDI | A1 |
| | | AUDI | A3 (8L SERIES) 96→03 |
| | | AUDI | A3 (8P SERIES) 02→12 |
| | | AUDI | A4 (B5 SERIES) 94→01 |
| | | AUDI | A4 (B6 SERIES) 01→05 |
| | | AUDI | A4 (B7 SERIES) 05→07 |
| | | AUDI | A6 (C4 SERIES) 94→97 |
| | | AUDI | A6 (C5 SERIES) 97→04 |
| | | AUDI | A8 (4D SERIES) 94→03 |
| | | AUDI | ALLROAD |
| | | AUDI | CABRIOLET |
| | | AUDI | COUPE |
| | | AUDI | QUATTRO |
| | | AUDI | TT (8J SERIES) 07→14 |
| | | AUDI | TT (8N SERIES) 98→06 |
| | | CITROËN | BERLINGO |
| | | CITROËN | C2 |
| | | CITROËN | C3 |
| | | CITROËN | C4 |
| | | CITROËN | C5 |
| | | CITROËN | C6 |
| | | CITROËN | C8 |
| | | CITROËN | DS3 |
| | | CITROËN | XSARA |
| | | FIAT | 500 |
| | | FIAT | CROMA |
| | | FIAT | LINEA |
| | | FIAT | ULYSSE |

MANUFACTURAS WRAKYNSON

www.wrakynson.com

Page 660 of 822



CALIPER PISTONS & THEIR APPLICATIONS



| | | | |
|-----------------|------|-----------------|-----------------------------------|
| P-385101 | 51,0 | FORD | FOCUS |
| | | FORD | GALAXY |
| | | FORD | KUGA |
| | | FORD | MONDEO |
| | | FORD | S-MAX |
| | | HONDA | ACCORD (VI SERIES) 03-97→12-03 |
| | | HONDA | ACCORD (VII SERIES) 02-03→ |
| | | LANCIA | KAPPA |
| | | LANCIA | LYBRA |
| | | LANCIA | PHEDRA |
| | | LANCIA | THEMA - GAMMA |
| | | MITSUBISHI | CARISMA |
| | | MITSUBISHI | SPACE STAR |
| | | NISSAN - DATSUN | ALMERA |
| | | NISSAN - DATSUN | PRIMERA |
| | | OPEL | ASTRA (G SERIES) |
| | | OPEL | ASTRA (H SERIES) |
| | | OPEL | COMBO |
| | | OPEL | MERIVA |
| | | OPEL | ZAFIRA |
| | | PEUGEOT | 1007 |
| | | PEUGEOT | 207 |
| | | PEUGEOT | 3008 |
| | | PEUGEOT | 307 |
| | | PEUGEOT | 308 |
| | | PEUGEOT | 405 |
| | | PEUGEOT | 407 |
| | | PEUGEOT | 5008 |
| | | PEUGEOT | 607 |
| | | PEUGEOT | 807 |
| | | PEUGEOT | PARTNER |
| | | RENAULT | AVANTIME |
| | | RENAULT | CLIO |
| | | RENAULT | ESPACE |
| | | RENAULT | GRAND SCENIC |
| | | RENAULT | KANGOO |
| | | RENAULT | MEGANE |
| | | RENAULT | SCENIC |
| | | SEAT | ALHAMBRA |
| | | SEAT | ALTEA |
| | | SEAT | CORDOBA |
| | | SEAT | IBIZA |
| | | SEAT | LEON |
| | | SEAT | TOLEDO |
| | | SKODA | FABIA |
| | | SKODA | OCTAVIA |
| | | SKODA | RAPID |
| | | SKODA | ROOMSTER |
| | | SKODA | SUPERB |
| | | SKODA | YETI |
| | | TOYOTA | AVENSIS |

| | | | |
|-----------------|------|-----------------|---|
| | | TOYOTA | COROLLA (E11 SERIES) 04-97→06-02 |
| | | VOLKSWAGEN | BORA |
| | | VOLKSWAGEN | CORRADO |
| | | VOLKSWAGEN | EOS |
| | | VOLKSWAGEN | GOLF (II SERIES) 08-83→12-92 |
| | | VOLKSWAGEN | GOLF (III SERIES) 08-91→07-98 |
| | | VOLKSWAGEN | GOLF (IV SERIES) 08-97→06-05 |
| | | VOLKSWAGEN | GOLF (V SERIES) 10-03→02-09 |
| | | VOLKSWAGEN | GOLF (VI SERIES) 10-08→11-13 |
| | | VOLKSWAGEN | GOLF PLUS 01-05→ |
| | | VOLKSWAGEN | JETTA (II SERIES) 08-83→12-92 |
| | | VOLKSWAGEN | JETTA (III SERIES) 08-05→10-10 |
| | | VOLKSWAGEN | JETTA (IV SERIES) 04-10→ |
| | | VOLKSWAGEN | NEW BEETLE |
| | | VOLKSWAGEN | PASSAT (32B) 11-79→06-89 |
| | | VOLKSWAGEN | PASSAT (3A2 - 35I - 3A5 - 35I) 02-88→12-97 |
| | | VOLKSWAGEN | PASSAT (3B2 - 3B5) 08-96→12-01 |
| | | VOLKSWAGEN | PASSAT (3B3 - 3B6) 11-00→05-05 |
| | | VOLKSWAGEN | POLO (III SERIES) 09-94→10-01 |
| | | VOLKSWAGEN | SHARAN |
| | | VOLKSWAGEN | TRANSPORTER (IV SERIES) 07-90→04-03 |
| | | VOLKSWAGEN | VENTO |
| | | VOLVO | S40 - V40 - V50 |
| P-385102 | 51,0 | FORD | MONDEO |
| | | RENAULT | KANGOO |
| P-385103 | 51,0 | JAGUAR | X-TYPE |
| | | RENAULT | KANGOO |
| P-385104 | 51,0 | FORD | TRANSIT (III SERIES) 86→00 |
| P-385105 | 51,5 | HONDA | ACCORD (VI SERIES) 03-97→12-03 |
| | | HONDA | LEGEND |
| | | NISSAN - DATSUN | NAVARA |
| | | NISSAN - DATSUN | PATHFINDER |
| | | SUBARU | FORESTER |
| | | SUBARU | IMPREZA |
| P-385201 | 52,5 | MERCEDES | VIANO (W639) 9-03→ |
| | | MERCEDES | VITO (W639) 9-03→ |
| P-385202 | 52,0 | FORD | GALAXY |
| | | FORD | S-MAX |
| | | LANCIA | THESIS |
| | | RENAULT | GRAND SCENIC |
| | | RENAULT | SCENIC |
| | | VOLKSWAGEN | PASSAT (3C2 - 3C5) 03-05→ |
| | | VOLVO | S60 - S80 |
| | | VOLVO | XC60 |
| | | VOLVO | XC70 |
| P-385203 | 52,5 | MAZDA | MPV |
| | | SUBARU | FORESTER |
| | | SUBARU | IMPREZA |
| P-385301 | 53,6 | CITROËN | C25 |



CALIPER PISTONS & THEIR APPLICATIONS



| | | | |
|-----------------|------|---|--|
| P-404905 | 49,7 | OPEL OPEL SAAB | SIGNUM VECTRA 9.3 |
| P-405001 | 50,5 | BMW BMW BMW MERCEDES MERCEDES | 1 SERIES (E81 - E87) 09-04→ 1 SERIES CABRIO (E88) 03-07→ 1 SERIES COUPE (E82) 09-07→ C-CLASS (W204-S204) 1-07→ CLC-CLASS (203) 5-08→ |
| P-405002 | 50,5 | NISSAN - DATSUN SUBARU SUBARU SUBARU | MAXIMA FORESTER LEGACY (V SERIES) 09-09→ OUTBACK |
| P-405201 | 52,0 | BMW | 5 SERIES (E39) 96→ |
| P-405202 | 52,0 | BMW | 7 SERIES (E38) 94→ |
| P-405203 | 52,0 | BMW BMW | 5 SERIES (E34) 88→ 8 SERIES (E31) 90→ |
| P-405301 | 53,0 | AUDI AUDI AUDI AUDI AUDI AUDI AUDI BMW BMW BMW CITROËN CITROËN CITROËN CITROËN FIAT FIAT LANCIA NISSAN - DATSUN OPEL PEUGEOT PEUGEOT PEUGEOT PEUGEOT RENAULT RENAULT RENAULT | 100 (C3 SERIES) 82→90 200 80 - 90 (B3 SERIES) 86→91 80 (B4 SERIES) 91→95 CABRIOLET COUPE QUATTRO 1 SERIES (E81 - E87) 09-04→ 3 SERIES (E90) 05→ 3 SERIES (E92) 6-06→ C5 C6 C8 JUMPER DUCATO ULYSSE PHEDRA PRIMASTAR VIVARO 407 607 807 BOXER AVANTIME ESPACE TRAFIC |
| P-405501 | 55,0 | FORD MAZDA MERCEDES | MAVERICK TRIBUTE M-CLASS (W164) 7-05→ |
| P-412801 | 28,4 | DAF DAF LAND ROVER LAND ROVER LAND ROVER | V200 FREIGHT - SHERPA V400 DEFENDER DISCOVERY RANGE ROVER |
| P-413401 | 34,2 | DAF | V200 FREIGHT - SHERPA |

| | | | |
|-----------------|------|---|---|
| | | DAF FORD FORD IVECO LAND ROVER LAND ROVER LAND ROVER LAND ROVER ROVER | V400 TRANSIT (II SERIES) 78→86 TRANSIT (III SERIES) 86→00 DAILY (I SERIES) 06-78→12-89 90 - 110 DEFENDER DISCOVERY RANGE ROVER 2.300 - 2.400 - 2.600 - 3.500 |
| P-414101 | 41,0 | MITSUBISHI MITSUBISHI MITSUBISHI MITSUBISHI | GALANT (II SERIES) 09-80→05-84 LANCER (I SERIES A17) 09-79→02-83 SAPPORO STARION |
| P-414301 | 44,0 | ISUZU | TROOPER |
| P-414501 | 45,8 | HYUNDAI LEXUS MAZDA MITSUBISHI MITSUBISHI OPEL OPEL | H1 RX 626 ECLIPSE GALANT (IV SERIES) 11-87→03-93 FRONTERA MONTEREY |
| P-414601 | 46,5 | TOYOTA | MR2 |
| P-415101 | 51,0 | ALFA ROMEO ALFA ROMEO ALFA ROMEO AUDI AUDI AUDI AUDI AUDI AUDI AUDI CITROËN FIAT FIAT FIAT NISSAN - DATSUN OPEL OPEL OPEL PEUGEOT RENAULT SAAB SEAT SEAT SEAT SKODA SKODA SKODA VOLKSWAGEN VOLKSWAGEN VOLKSWAGEN VOLKSWAGEN | 159 BRERA SPIDER A3 (8L SERIES) 96→03 A3 (8P SERIES) 02→12 A4 (B7 SERIES) 05→07 TT (8J SERIES) 07→14 TT (8N SERIES) 98→06 JUMPY CROMA SCUDO PRIMASTAR INSIGNIA VIVARO ZAFIRA EXPERT TRAFIC 9.5 ALTEA LEON TOLEDO OCTAVIA SUPERB YETI BORA CADDY EOS GOLF (IV SERIES) 08-97→06-05 |

MANUFACTURAS WRAKYNSON

www.wrakynson.com

Page 663 of 822



CALIPER PISTONS & THEIR APPLICATIONS



| | | | |
|-----------------|------|------------|---|
| P-415101 | 51,0 | VOLKSWAGEN | GOLF (V SERIES) 10-03→02-09 |
| | | VOLKSWAGEN | GOLF (VI SERIES) 10-08→11-13 |
| | | VOLKSWAGEN | GOLF PLUS 01-05→ |
| | | VOLKSWAGEN | JETTA (III SERIES) 08-05→10-10 |
| | | VOLKSWAGEN | MULTIVAN |
| | | VOLKSWAGEN | TOURAN |
| | | VOLKSWAGEN | TRANSPORTER (V SERIES) 04-03→ |
| P-415201 | 52,0 | AUDI | A6 (C6 SERIES) 04→11 |
| | | AUDI | Q3 |
| | | VOLKSWAGEN | CC (358 SERIES) 11-11→ |
| | | VOLKSWAGEN | PASSAT (3C2 - 3C5) 03-05→ |
| | | VOLKSWAGEN | TIGUAN |
| | | VOLVO | S60 - S80 |
| | | VOLVO | XC70 |
| P-422601 | 26,0 | CITROËN | 2CV - DYANE - C8 - MEHARI |
| | | CITROËN | C32 - C35 |
| | | CITROËN | CX |
| | | CITROËN | GS |
| P-422801 | 29,0 | MITSUBISHI | 3.0GT |
| | 28,5 | TOYOTA | 4-RUNNER |
| | | TOYOTA | HILUX |
| | | TOYOTA | LAND CRUISER |
| | | VOLKSWAGEN | TARO |
| P-422901 | 29,5 | BMW | 1500 - 2000CS (115 - 116 - 118 - 121) 10-62→11-72 |
| | | BMW | 2.5 - 3.3LI (E3) 10 - 68→ |
| | | BMW | 2.5CS - 3.0CSL (E9) 06-70→ |
| | | BMW | 5 SERIES (E12) 72→81 |
| | | BMW | 6 SERIES (E24) 76→88 |
| | | MERCEDES | 123 - 200 - 300 (W123 SERIES) 76→86 |
| | | MERCEDES | CABRIOLET HECKFLOSSE (W110-W111) 59→72 |
| | | MERCEDES | COUPE (C123) 3-77→12-85 |
| | | MERCEDES | COUPE (W111) 1-61→12-71 |
| | | MERCEDES | KOMBI T MODEL (S123) 9-77→12-85 |
| | | MERCEDES | PAGODE (W113) 63→72 |
| | | MERCEDES | S-CLASS (W108-W109) 1-66→8-72 |
| | | OPEL | ADMIRAL |
| | | PORSCHE | 911 |
| | | VOLKSWAGEN | 1.200 - 1.300 - 1.500 - 1.600 BEETLE |
| P-422902 | 29,0 | ALFA ROMEO | 159 |
| | | ALFA ROMEO | 166 |
| | | ALFA ROMEO | BRERA |
| | | ALFA ROMEO | SPIDER |
| | | PEUGEOT | 607 |
| P-422903 | 29,5 | MERCEDES | E-CLASS (W124-S124) 6-93→6-96 |
| | | MERCEDES | KOMBI T MODEL (S124) 9-85→06-93 |
| P-422904 | 29,5 | MERCEDES | S-CLASS (C215-C216) 3-99→ |
| | | MERCEDES | S-CLASS (W220) 10-98→08-05 |



| | | | |
|-----------------|------|-----------------|--|
| P-423001 | 30,8 | MERCEDES | 124 - 200 - 500 (W124 SERIES) 85→06-93 |
| | | MERCEDES | E-CLASS (W124-S124) 6-93→6-96 |
| P-423002 | 30,2 | MERCEDES | 190 (W201) 10-82→08-93 |
| | | MERCEDES | E-CLASS (W124-S124) 6-93→6-96 |
| | | MERCEDES | SL (R129) 3-89→10-01 |
| P-423003 | 30,0 | MERCEDES | C-CLASS (S202-S203) 6-96→ |
| | | MERCEDES | C-CLASS (W203) 5-00→ |
| | | MERCEDES | C-CLASS COUPE (CL203) 03-01→ |
| | | MERCEDES | CLK (A208-A209) 3-98→ |
| | | MERCEDES | CLK (C208-C209) 6-97→ |
| | | MERCEDES | E-CLASS (W210-S210-T210) 6-95→3-03 |
| | | MERCEDES | SL (R129) 3-89→10-01 |
| | | MERCEDES | SLK (R170) 4-96→4-04 |
| P-423005 | 30,0 | ALFA ROMEO | 156 |
| | | ALFA ROMEO | GT |
| | | BMW | 1 SERIES (E81 - E87) 09-04→ |
| | | BMW | 1 SERIES CABRIO (E88) 03-07→ |
| | | BMW | 1 SERIES COUPE (E82) 09-07→ |
| | | BMW | 3 SERIES (E90) 05→ |
| | | BMW | 3 SERIES (E92) 6-06→ |
| | | BMW | 3 SERIES (E93) 8-06→ |
| | | BMW | 3 TOURING (E91) 05→ |
| | | VOLVO | S60 - S80 |
| | | VOLVO | S70 - V70 - C70 |
| P-423101 | 31,8 | OPEL | OMEGA |
| P-423201 | 32,7 | MERCEDES | C-CLASS (W202) 3-93→5-00 |
| | | MERCEDES | CLK (A208-A209) 3-98→ |
| | | MERCEDES | CLK (C208-C209) 6-97→ |
| | | MERCEDES | E-CLASS (W210-S210-T210) 6-95→3-03 |
| P-423202 | 32,0 | ALFA ROMEO | 147 |
| | | PEUGEOT | 406 |
| P-423501 | 35,7 | IVECO | DAILY (I SERIES) 06-78→12-89 |
| | | IVECO | DAILY (II SERIES) 01-90→05-99 |
| P-424401 | 44,6 | FORD | TERRITORY |
| P-424601 | 46,8 | FORD | ESCORT - ORION |
| | | FORD | GRANADA - CONSUL |
| | | FORD | SCORPIO |
| | | FORD | SIERRA |
| | | MAZDA | RX8 |
| | | NISSAN - DATSUN | 280ZX |
| | | NISSAN - DATSUN | 300ZX |
| | | NISSAN - DATSUN | FAIRLADY |
| | | NISSAN - DATSUN | SILVIA |
| P-424602 | 46,9 | SMART | CABRIO |
| | | SMART | CITY COUPE |
| | | SMART | CROSSBLADE |
| | | SMART | FORTWO |
| | | SMART | ROADSTER |

MANUFACTURAS WRKYNSON

www.wrakynson.com

Page 664 of 822



CALIPER PISTONS & THEIR APPLICATIONS



| | | | |
|-----------------|------|-----------------|---|
| P-434501 | 44,8 | CITROËN | C CROSSER |
| | | HYUNDAI | GALLOPER |
| | | MITSUBISHI | GALANT (V SERIES) 11-92→10-96 |
| | | MITSUBISHI | GALANT (VI SERIES) 09-96→10-04 |
| | | MITSUBISHI | GALLOPER |
| | | MITSUBISHI | L200 |
| | | MITSUBISHI | L400 |
| | | MITSUBISHI | LANCER (VI SERIES CS-CT) 12-00→03-11 |
| | | MITSUBISHI | LANCER (VII SERIES CX-CY-CZ) 03-07→ |
| | | MITSUBISHI | MONTERO |
| | | MITSUBISHI | OUTLANDER |
| | | MITSUBISHI | PAJERO |
| | | MITSUBISHI | SIGMA |
| | | MITSUBISHI | SPACE GEAR |
| | | MITSUBISHI | SPACE RUNNER |
| | | MITSUBISHI | SPACE WAGON |
| | | NISSAN - DATSUN | LAUREL |
| | | PEUGEOT | 4007 |
| | | TOYOTA | F-MODEL |
| | | TOYOTA | LITEACE |
| P-434502 | 45,0 | TOYOTA | AVENSIS |
| | | TOYOTA | PREVIA |
| P-434503 | 45,0 | MITSUBISHI | GALLOPER |
| | | MITSUBISHI | MONTERO |
| | | MITSUBISHI | PAJERO |
| | | MITSUBISHI | SHOGUN |
| P-434504 | 45,0 | NISSAN - DATSUN | MURANO |
| P-434505 | 45,0 | NISSAN - DATSUN | MURANO |
| | | NISSAN - DATSUN | QASHQAI |
| | | RENAULT | KOLEOS |
| | | TOYOTA | CAMRY |
| | | TOYOTA | CELICA |
| P-434601 | 46,0 | LEXUS | GS |
| | | LEXUS | LS |
| | | TOYOTA | CAMRY |
| P-434602 | 46,0 | TOYOTA | MR2 |
| P-434701 | 47,0 | HYUNDAI | ix55 |
| | | KIA | CARNIVAL |
| | | KIA | SORENTO |
| P-434801 | 48,0 | FORD | MAVERICK |
| | | MAZDA | B SERIES |
| | | MAZDA | XEDOS |
| | | MITSUBISHI | MONTERO |
| | | MITSUBISHI | PAJERO |
| | | NISSAN - DATSUN | TERRANO |
| | | SUBARU | FORESTER |
| | | SUBARU | IMPREZA |
| | | SUBARU | LEGACY (I SERIES) 01-89→08-94 |

| | | | |
|-----------------|------|-----------------|------------------------------------|
| | | SUBARU | LEGACY (II SERIES) 02-94→03-99 |
| | | SUBARU | LEGACY (III SERIES) 10-98→08-03 |
| | | SUBARU | OUTBACK |
| P-434802 | 48,0 | FORD | RANGER |
| | | MAZDA | BT-50 |
| | | MAZDA | CX-7 |
| | | MAZDA | CX-9 |
| | | MITSUBISHI | L200 |
| | | NISSAN - DATSUN | KING CAB |
| | | NISSAN - DATSUN | MAXIMA |
| | | NISSAN - DATSUN | PICK-UP |
| | | NISSAN - DATSUN | TERRANO |
| | | SUBARU | FORESTER |
| | | SUBARU | IMPREZA |
| | | SUBARU | LEGACY (IV SERIES) 09-03→08-09 |
| | | SUBARU | LEGACY (V SERIES) 09-09→ |
| | | SUBARU | OUTBACK |
| | | SUBARU | TRIBECA |
| | | SUBARU | XV |
| P-434804 | 48,0 | LEXUS | GS |
| | | LEXUS | IS |
| | | TOYOTA | CROWN |
| P-434805 | 48,0 | NISSAN - DATSUN | PICK-UP |
| P-434901 | 48,5 | HONDA | ACCORD (VIII SERIES) 06-08→ |
| | 48,9 | HYUNDAI | GENESIS |
| | | HYUNDAI | H1 |
| | | HYUNDAI | SANTA FÉ |
| | | HYUNDAI | SANTAMO |
| | | HYUNDAI | TERRACAN |
| | | HYUNDAI | TRAJET |
| | | HYUNDAI | XG |
| | | KIA | SORENTO |
| | | MAZDA | E1 - E2 (VAN - WAGON - PICK-UP) |
| | | MITSUBISHI | SANTAMO |
| | | NISSAN - DATSUN | 300ZX |
| | | NISSAN - DATSUN | FAIRLADY |
| | | SSANYONG | REXTON |
| P-435001 | 50,0 | LEXUS | ES |
| | | TOYOTA | CAMRY |
| P-435101 | 51,5 | HONDA | ACCORD (VI SERIES) 03-97→12-03 |
| | | HONDA | LEGEND |
| P-435201 | 52,0 | AUDI | A4 (B8 SERIES) 08→ |
| | | AUDI | A5 |
| | | AUDI | A6 (C6 SERIES) 04→11 |
| | | AUDI | A6 (C7 SERIES) 11→ |
| | | AUDI | A8 (4E SERIES) 03→10 |
| | | AUDI | A8 (4H SERIES) 10→ |
| | | AUDI | Q5 |
| | | LAND ROVER | RANGE ROVER |

MANUFACTURAS WRACKYNSON

www.wrakynson.com

Page 666 of 822



CALIPER PISTONS & THEIR APPLICATIONS



| | | | |
|-----------------|------|--|--|
| P-455301 | 53,0 | RENAULT RENAULT RENAULT | AVANTIME ESPACE TRAFIC |
| P-455302 | 53,1 | MERCEDES VOLKSWAGEN | SPRINTER (BM901-902-903-904-905) 95→06 LT SERIES |
| P-455303 | 53,6 | HOLDEN ISUZU | RODEO D-MAX |
| P-455304 | 53,0 | LEXUS MAZDA MAZDA TOYOTA | LX CX-7 CX-9 LAND CRUISER |
| P-455601 | 56,3 | MERCEDES | SPRINTER (BM901-902-903-904-905) 95→06 |
| P-462901 | 29,1 | MERCEDES MERCEDES MERCEDES MERCEDES | E-CLASS (W210-S210-T210) 6-95→3-03 S-CLASS (C140) 9-92→2-99 S-CLASS (W140) 2-91→10-98 SL (R129) 3-89→10-01 |
| P-463001 | 30,7 | DAF DAF FORD LAND ROVER LAND ROVER | V200 FREIGHT - SHERPA V400 TRANSIT (III SERIES) 86→00 90 - 110 DEFENDER |
| P-463002 | 30,0 | MERCEDES MERCEDES | E-CLASS (W210-S210-T210) 6-95→3-03 S-CLASS (W140) 2-91→10-98 |
| P-463201 | 32,0 | LAND ROVER LAND ROVER SUBARU VOLKSWAGEN | RANGE ROVER RANGE ROVER SPORT IMPREZA TOUAREG |
| P-464601 | 46,5 | HYUNDAI KIA KIA KIA | H100 (VAN) CARNIVAL PREGIO SORENTO |
| P-464701 | 47,0 | KIA | SORENTO |
| P-464801 | 48,0 | BMW BMW BMW BMW BMW BMW BMW BMW BMW BMW | 1 SERIES COUPE (E82) 09-07→ 3 SERIES (E90) 05→ 3 SERIES (E92) 6-06→ 3 SERIES (E93) 8-06→ 5 SERIES (E60) 07-03→ 5 SERIES (E61) 6-04→ 6 SERIES (E63 - E64) 1-04→ 7 SERIES (E65 - E66 - E67) 11-01→ Z4 (E85) Z4 (E86) |
| P-465101 | 51,0 | NISSAN - DATSUN NISSAN - DATSUN NISSAN - DATSUN NISSAN - DATSUN | KING CAB NAVARA PATHFINDER PICK-UP |
| P-465102 | 51,0 | FORD | EXPLORER |
| P-465103 | 51,0 | HYUNDAI | ix55 |



| | | | |
|-----------------|------|--|---|
| P-465601 | 56,6 | CITROËN FIAT PEUGEOT | JUMPER DUCATO BOXER |
| P-465801 | 58,0 | CITROËN FIAT PEUGEOT | JUMPER DUCATO BOXER |
| P-465901 | 59,5 | CITROËN FIAT IVECO PEUGEOT RENAULT | JUMPER DUCATO DAILY (III SERIES) 06-99→05-06 BOXER MASCOTT |
| P-466601 | 66,0 | NISSAN - DATSUN | CABSTAR - ATLAS |
| P-475901 | 59,0 | JEEP | GRAND CHEROKEE |
| P-482901 | 29,0 | BMW BMW FORD FORD HONDA JAGUAR MITSUBISHI NISSAN - DATSUN NISSAN - DATSUN OPEL OPEL OPEL PEUGEOT PEUGEOT RENAULT RENAULT TALBOT TALBOT TALBOT VOLVO | 3 SERIES (E21) 75→82 3 SERIES (E30) 83→ ESCORT - ORION TAUNUS CIVIC (I SERIES) XJ - XJS GALANT (I SERIES) 01-77→08-80 CHERRY SUNNY - PULSAR - 100NX (B13 SERIES) ASCONA - MANTA KADETT REKORD 204 304 MASTER R16 HORIZON MATRA RANCHO SIMCA 1200 - 1100 340 - 360 |
| P-482902 | 29,0 | HONDA NISSAN - DATSUN NISSAN - DATSUN | CIVIC (I SERIES) CHERRY SUNNY - PULSAR - 100NX (B13 SERIES) |
| P-482903 | 29,0 | TALBOT | HORIZON |
| P-483001 | 30,0 | ALFA ROMEO ALFA ROMEO ALFA ROMEO ALFA ROMEO ALFA ROMEO ALFA ROMEO ALFA ROMEO ALFA ROMEO ALFA ROMEO AUDI AUDI AUDI AUDI | 1.750 - 2.000 75 - 90 ALFETTA GIULIA GIULIETTA GT GTV SPIDER 100 (C1 SERIES) 68→76 60 - 75 80 (B1 SERIES) 72→78 COUPE |

MANUFACTURAS WRACKYNSON

www.wrakynson.com

Page 669 of 822



CALIPER PISTONS & THEIR APPLICATIONS



| | | | |
|-----------------|------|------------|---|
| P-483001 | 30,0 | BMW | 1502 - 2002TII (02) (E10 - E6) 66→77 |
| | | BMW | 3 SERIES (E21) 75→82 |
| | | BMW | 3 SERIES (E30) 83→ |
| | | FORD | CAPRI |
| | | FORD | ESCORT - ORION |
| | | OPEL | ASCONA - MANTA |
| | | OPEL | GT |
| | | OPEL | KADETT |
| | | OPEL | REKORD |
| | | PORSCHE | 911 |
| | | SAAB | 99 |
| | | TALBOT | HORIZON |
| | | TALBOT | MATRA |
| | | TALBOT | RANCHO |
| | | TALBOT | SIMCA 1200 - 1100 |
| | | TALBOT | SIMCA 900 - 1000 |
| P-483101 | 31,5 | TOYOTA | LAND CRUISER |
| P-483102 | 31,5 | LEXUS | LX |
| | | TOYOTA | LAND CRUISER |
| P-483301 | 33,0 | LADA | 1200 - 1300 - 1500 - 1600 |
| | | LADA | 2101 - 2102 - 2103 - 2104 - 2105 - 2106 |
| | | LADA | NOVA |
| | | LADA | RIVA |
| P-484201 | 42,0 | SUZUKI | SWIFT |
| P-484301 | 43,5 | ALFA ROMEO | ALFETTA |
| | | ALFA ROMEO | GIULIETTA |
| | | ALFA ROMEO | GTV |
| | | OPEL | ASCONA - MANTA |
| | | OPEL | COMBO |
| | | OPEL | CORSA (A SERIES) |
| | | OPEL | KADETT |
| | | OPEL | REKORD |
| P-484401 | 44,4 | OPEL | ASCONA - MANTA |
| | | OPEL | COMBO |
| | | OPEL | CORSA (A SERIES) |
| | | OPEL | KADETT |
| | | OPEL | REKORD |
| | | OPEL | SENATOR - MONZA |
| | | OPEL | VECTRA |
| P-484402 | 44,0 | ALFA ROMEO | 33 |
| | | ALFA ROMEO | ALFASUD |
| | | ALFA ROMEO | ALFASUD SPRINT |
| | | ALFA ROMEO | ARNA |
| | | CITROËN | VISA - LNA |
| | | PEUGEOT | 104 |
| | | PEUGEOT | 304 |
| | | PEUGEOT | 305 |
| | | RENAULT | R12 |
| | | RENAULT | R14 |
| | | RENAULT | R15 |



| | | | |
|-----------------|------|-----------------|-------------------------------------|
| | | RENAULT | R16 |
| | | RENAULT | R17 |
| | | RENAULT | R18 |
| | | RENAULT | R5 - R6 |
| | | TALBOT | SAMBA |
| P-484403 | 44,5 | NISSAN - DATSUN | SUNNY - PULSAR - 100NX (B13 SERIES) |
| | | SUBARU | MINI JUMBO |
| | | TOYOTA | PASEO |
| | | TOYOTA | STARLET |
| P-484501 | 45,0 | MERCEDES | MB 100 (631) 81→97 |
| P-484502 | 45,0 | KIA | PRIDE |
| | | MAZDA | 121 |
| P-484503 | 45,5 | TOYOTA | COROLLA (E7 SERIES) 09-79→08-87 |
| | | TOYOTA | COROLLA (E8 SERIES) 05-83→06-89 |
| | | TOYOTA | IQ |
| | | TOYOTA | STARLET |
| P-484601 | 46,6 | SEAT | AROSA |
| P-484602 | 46,6 | SEAT | CORDOBA |
| | | SEAT | IBIZA |
| | | VOLKSWAGEN | GOLF (II SERIES) 08-83→12-92 |
| | | VOLKSWAGEN | JETTA (II SERIES) 08-83→12-92 |
| | | VOLKSWAGEN | POLO (II SERIES) 10-81→09-94 |
| | | VOLKSWAGEN | POLO (III SERIES) 09-94→10-01 |
| | | VOLKSWAGEN | POLO CLASSIC |
| P-484701 | 47,0 | FIAT | 500 |
| | | FIAT | CINQUECENTO |
| | | FIAT | PANDA - MARBELLA |
| | | FIAT | PUNTO (176 SERIES) |
| | | FIAT | PUNTO (188 SERIES) |
| | | FIAT | SEICENTO |
| | | FORD | KA |
| | | LANCIA | Y10 - A112 - FIRE LX |
| | | OPEL | AGILA |
| | | SUBARU | JUSTY |
| | | SUZUKI | IGNIS |
| P-484703 | 47,3 | FORD | EXPLORER |
| | | JEEP | CHEROKEE |
| | | JEEP | GRAND CHEROKEE |
| | | JEEP | WRANGLER |
| P-484801 | 48,8 | CITROËN | SAXO |
| | | CITROËN | XSARA |
| | | DAEWOO | LANOS |
| | | DAEWOO | NEXIA |
| | | OPEL | ASTRA (F SERIES) |
| | | OPEL | COMBO |
| | | OPEL | CORSA (A SERIES) |
| | | OPEL | CORSA (B SERIES) |
| | | OPEL | TIGRA |
| | | OPEL | VECTRA |

MANUFACTURAS WRACKYNSON

www.wrakynson.com

Page 670 of 822



CALIPER PISTONS & THEIR APPLICATIONS



| | | | | | |
|-----------------|----------------------|-----------------|-------------------------------------|-----------|------------------|
| P-484801 | 48,8 | PEUGEOT | 106 | | |
| | | PEUGEOT | 205 | | |
| | | PEUGEOT | 306 | | |
| P-484802 | 48,0 | ALFA ROMEO | 33 | | |
| | | ALFA ROMEO | ALFASUD SPRINT | | |
| | | BMW | 3 SERIES (E30) 83→ | | |
| | | BMW | Z1 | | |
| | | SUZUKI | SJ410 - SJ413 - SAMURAI | | |
| P-484803 | 48,5 | MITSUBISHI | MONTERO | | |
| | | MITSUBISHI | PAJERO | | |
| | | NISSAN - DATSUN | CHERRY | | |
| | | NISSAN - DATSUN | PATROL | | |
| | | NISSAN - DATSUN | SUNNY - PULSAR - 100NX (B13 SERIES) | | |
| | | SUBARU | JUSTY | | |
| | | SUBARU | LIBERO | | |
| | | SUBARU | MINI JUMBO | | |
| | | SUZUKI | SWIFT | | |
| | | SUZUKI | VITARA - GRAND VITARA | | |
| | | TOYOTA | LAND CRUISER | | |
| | | P-484804 | 48,5 | CHEVROLET | MATIZ |
| | | | | CHEVROLET | SPARK |
| DAEWOO | LANOS | | | | |
| DAEWOO | MATIZ | | | | |
| P-484805 | 48,3 | AUDI | A2 | | |
| | | VOLKSWAGEN | LUPO | | |
| P-484806 | 48,0 | LANCIA | DELTA - PRISMA | | |
| | | RENAULT | R12 | | |
| | | RENAULT | R18 | | |
| | | RENAULT | R5 - R6 | | |
| | | SAAB | 600 | | |
| | | SEAT | 127 - FURA | | |
| | | SEAT | RITMO - RONDA | | |
| | | SUZUKI | SJ410 - SJ413 - SAMURAI | | |
| | | SUZUKI | VITARA - GRAND VITARA | | |
| | | P-484901 | 49,7 | FIAT | PANDA - MARBELLA |
| FIAT | PUNTO (176 SERIES) | | | | |
| FIAT | REGATA | | | | |
| FIAT | RITMO - NUOVA | | | | |
| FIAT | TEMPRA | | | | |
| FIAT | TIPO | | | | |
| LANCIA | DEDRA | | | | |
| LANCIA | Y10 - A112 - FIRE LX | | | | |
| NISSAN - DATSUN | MICRA | | | | |
| ROVER | 100 SERIES | | | | |
| ROVER | METRO | | | | |
| ROVER | MG | | | | |
| P-484902 | 49,0 | | | CITROËN | AX |
| | | CITROËN | SAXO | | |
| | | CITROËN | ZX | | |
| | | PEUGEOT | 106 | | |
| | | PEUGEOT | 205 | | |



| | | | | | |
|-----------------|---------------|-----------------|--------------------------------------|-----------------|-----------------|
| P-484904 | 49,5 | PEUGEOT | 305 | | |
| | | PEUGEOT | 306 | | |
| | | PEUGEOT | 309 | | |
| | | PEUGEOT | 405 | | |
| | | RENAULT | R18 | | |
| | | RENAULT | R21 - NEVADA | | |
| P-484905 | 49,0 | RENAULT | R9 - R11 | | |
| | | RENAULT | SUPER 5 | | |
| | | RENAULT | SUPER 5 | | |
| P-484904 | 49,5 | JEEP | CHEROKEE | | |
| | | JEEP | WRANGLER | | |
| P-484905 | 49,0 | LADA | SAMARA (2108 - 2109) - FORMA (21099) | | |
| | | LADA | SAMARA (2108 - 2109) - FORMA (21099) | | |
| P-485001 | 50,0 | CITROËN | JUMPER | | |
| | | FIAT | 500 | | |
| | | FIAT | DUCATO | | |
| | | FIAT | PANDA - MARBELLA | | |
| | | FORD | KA | | |
| | | FORD | TRANSIT (IV SERIES) 00→06 | | |
| | | NISSAN - DATSUN | CABSTAR - ATLAS | | |
| | | PEUGEOT | 206 | | |
| | | PEUGEOT | BOXER | | |
| | | P-485002 | 50,5 | CITROËN | XSARA |
| | | | | NISSAN - DATSUN | CABSTAR - ATLAS |
| | | | | OPEL | AGILA |
| | | | | PEUGEOT | 206 |
| | | | | RENAULT | CLIO |
| RENAULT | EXPRESS | | | | |
| RENAULT | R19 - CHAMADE | | | | |
| RENAULT | R9 - R11 | | | | |
| RENAULT | SUPER 5 | | | | |
| SEAT | IBIZA | | | | |
| SEAT | MALAGA | | | | |
| SUBARU | JUSTY | | | | |
| SUZUKI | SWIFT | | | | |
| SUZUKI | WAGON | | | | |
| P-485003 | 50,0 | FIAT | 126 - 127 - 128 | | |
| | | FIAT | FIORINO | | |
| | | FIAT | PANDA - MARBELLA | | |
| | | FIAT | REGATA | | |
| | | FIAT | RITMO - NUOVA | | |
| | | FIAT | UNO | | |
| | | FIAT | X 1-9 | | |
| | | LANCIA | Y10 - A112 - FIRE LX | | |
| | | POLSKI | 125 - 126 | | |
| | | POLSKI | 127 - 132 | | |
| | | POLSKI | POLONEZ | | |
| | | SEAT | 127 - FURA | | |
| | | SEAT | IBIZA | | |
| | | SEAT | MALAGA | | |
| | | SEAT | PANDA TRANS - TERRA - MARBELLA | | |
| | | ZASTAVA - YUGO | 101 - CONTACT - NOGARO - YUGO | | |

MANUFACTURAS WR McKaynson

www.wrakynson.com

Page 671 of 822



CALIPER PISTONS & THEIR APPLICATIONS



| | | | |
|-----------------|------|--|---|
| P-485004 | 50,5 | DODGE JEEP JEEP | DURANGO CHEROKEE GRAND CHEROKEE |
| P-485005 | 50,0 | FORD | FIESTA |
| P-485101 | 51,0 | FIAT FIAT FIAT FORD FORD MAZDA | DUNA FIORINO PALIO FIESTA KA 121 |
| P-485102 | 51,0 | ALFA ROMEO ALFA ROMEO FIAT FIAT FIAT HYUNDAI LANCIA LANCIA | 155 33 TEMPRA TIPO UNO H1 DEDRA DELTA - PRISMA |
| P-485201 | 52,7 | FIAT FIAT LANCIA | PUNTO (176 SERIES) PUNTO (188 SERIES) Y10 - A112 - FIRE LX |
| P-485202 | 52,8 | NISSAN - DATSUN TOYOTA | PATROL LAND CRUISER |
| P-485203 | 52,5 | CITROËN FORD PEUGEOT TOYOTA VOLKSWAGEN | C1 TRANSIT (V SERIES) 06→13 107 AYGO AMAROK |
| P-485204 | 52,0 | JEEP | GRAND CHEROKEE |
| P-485205 | 52,0 | FORD | TRANSIT (V SERIES) 06→13 |
| P-485206 | 52,4 | JEEP JEEP | COMMANDER GRAND CHEROKEE |
| P-485302 | 53,6 | AUDI AUDI AUDI AUDI CITROËN CITROËN CITROËN CITROËN CITROËN 53,0 CITROËN CITROËN 53,6 CITROËN CITROËN DACIA FIAT FIAT 53,0 FIAT FIAT 53,6 FIAT | 100 (C2 SERIES) 76→82 100 (C3 SERIES) 82→90 80 - 90 (B2 SERIES) 78→86 COUPE AX C15 C2 C25 C3 JUMPER JUMPY VISA - LNA ZX LOGAN ARGENTA - NUOVA DUCATO DUCATO SCUDO TALENTO |

| | | | |
|-----------------|------|--|--|
| | | LANCIA LAND ROVER LAND ROVER LAND ROVER PEUGEOT PEUGEOT PEUGEOT 53,0 PEUGEOT PEUGEOT 53,6 PEUGEOT RENAULT RENAULT RENAULT RENAULT RENAULT RENAULT RENAULT RENAULT RENAULT RENAULT RENAULT RENAULT RENAULT RENAULT RENAULT SUZUKI VOLKSWAGEN VOLVO | YPSILON DISCOVERY RANGE ROVER RANGE ROVER SPORT 205 309 405 BOXER EXPERT J5 CLIO EXPRESS FUEGO LAGUNA MEGANE MEGANE SCENIC R18 R19 - CHAMADE R21 - NEVADA R9 - R11 SUPER 5 THALIA TWINGO VITARA - GRAND VITARA PASSAT (32 - 33) 05-73→07-80 340 - 360 |
| P-485303 | 53,5 | NISSAN - DATSUN OPEL RENAULT | NV400 MOVANO MASTER |
| P-485401 | 54,6 | SEAT SEAT SEAT SEAT VOLKSWAGEN VOLKSWAGEN VOLKSWAGEN VOLKSWAGEN | AROSA CORDOBA IBIZA FABIA GOLF (III SERIES) 08-91→07-98 LUPO POLO (III SERIES) 09-94→10-01 POLO CLASSIC |
| P-485501 | 55,2 | SEAT SEAT SEAT VOLKSWAGEN VOLKSWAGEN VOLKSWAGEN VOLKSWAGEN VOLKSWAGEN VOLKSWAGEN VOLKSWAGEN VOLKSWAGEN VOLKSWAGEN VOLKSWAGEN VOLKSWAGEN VOLKSWAGEN | CORDOBA IBIZA TOLEDO CADDY FOX GOLF (II SERIES) 08-83→12-92 GOLF (III SERIES) 08-91→07-98 JETTA (II SERIES) 08-83→12-92 PASSAT (32B) 11-79→06-89 POLO (II SERIES) 10-81→09-94 POLO (III SERIES) 09-94→10-01 SANTANA SCIROCCO VENTO |

MANUFACTURAS WRACKYNSON

www.wrakynson.com

Page 672 of 822



CALIPER PISTONS & THEIR APPLICATIONS



| | | | |
|-----------------|------|--|---|
| P-485502 | 55,5 | FORD FORD MINI | FIESTA KA MINI (R50 - R53) |
| P-485503 | 55,0 | VOLKSWAGEN VOLKSWAGEN VOLKSWAGEN VOLKSWAGEN VOLKSWAGEN VOLKSWAGEN VOLKSWAGEN | CADDY GOLF (I SERIES) 04-74→12-85 JETTA (I SERIES) 08-78→02-84 PASSAT (32 - 33) 05-73→07-80 PASSAT (32B) 11-79→06-89 SANTANA SCIROCCO |
| P-485504 | 55,0 | OPEL OPEL | COMBO CORSA (C SERIES) |
| P-485505 | 55,5 | DODGE JEEP JEEP MERCEDES MERCEDES | DURANGO CHEROKEE GRAND CHEROKEE G-CLASS (W460-461-463) 79→ M-CLASS (166) ML 06-11→ |
| P-485506 | 55,5 | NISSAN - DATSUN OPEL RENAULT | NV400 MOVANO MASTER |
| P-485601 | 56,7 | OPEL | ASTRA (G SERIES) |
| P-485701 | 57,5 | CITROËN FIAT PEUGEOT | JUMPER DUCATO BOXER |
| P-485901 | 59,5 | IVECO IVECO MERCEDES MERCEDES NISSAN - DATSUN VOLKSWAGEN | DAILY (III SERIES) 06-99→05-06 DAILY (IV SERIES) 06-06→09-11 SPRINTER (906) 06→ VITO (W639) 9-03→ CABSTAR - ATLAS CRAFTER |
| P-486001 | 60,5 | MERCEDES MERCEDES MERCEDES VOLKSWAGEN | SPRINTER (906) 06→ VIANO (W639) 9-03→ VITO (W639) 9-03→ CRAFTER |
| P-486301 | 63,5 | PEUGEOT | J7 - J9 |
| P-486401 | 64,0 | IVECO | DAILY (IV SERIES) 06-06→09-11 |
| P-503801 | 38,0 | IVECO | DAILY (II SERIES) 01-90→05-99 |
| P-512801 | 28,3 | AUTHI MORRIS ROVER ROVER | MINI MINI 850 - 1.000 - 1300 TRIUMPH |
| P-513101 | 31,5 | LEXUS TOYOTA | LX LAND CRUISER |
| P-513901 | 39,0 | NISSAN - DATSUN NISSAN - DATSUN NISSAN - DATSUN SAAB | A10 BLUEBIRD LAUREL 95 - 96 |
| P-514201 | 42,0 | SUZUKI SUZUKI SUZUKI SUZUKI | JIMNY SJ410 - SJ413 - SAMURAI SWIFT WAGON |



| | | | |
|-----------------|------|--|---|
| P-514202 | 42,5 | NISSAN - DATSUN NISSAN - DATSUN NISSAN - DATSUN NISSAN - DATSUN NISSAN - DATSUN NISSAN - DATSUN | CHERRY PRAIRIE SENTRA STANZA SUNNY - PULSAR - 100NX (B13 SERIES) VANETTE |
| P-514301 | 43,8 | HONDA | CIVIC (IV SERIES) |
| P-514401 | 44,5 | HONDA HONDA HONDA HONDA HONDA HONDA HONDA HONDA HONDA HONDA HYUNDAI HYUNDAI HYUNDAI HYUNDAI KIA ROVER SUBARU SUZUKI SUZUKI | ACCORD (I SERIES) 05-76→09-83 ACCORD (II SERIES) 09-83→10-85 CIVIC (II SERIES) CIVIC (III SERIES) CIVIC (IV SERIES) CIVIC (V SERIES) CIVIC (VI SERIES) CRX JAZZ LOGO PRELUDE ACCENT ATOS i10 i20 PICANTO 200 - 400 SERIES JUSTY ALTO SWIFT |
| P-514402 | 44,8 | DAIHATSU DAIHATSU DAIHATSU MITSUBISHI SUBARU SUZUKI SUZUKI | COPEN SIRION YRV i JUSTY ALTO IGNIS |
| P-514403 | 44,2 | DAIHATSU TOYOTA TOYOTA TOYOTA TOYOTA TOYOTA | CHARMANT CARINA CELICA COROLLA (E7 SERIES) 09-79→08-87 COROLLA (E8 SERIES) 05-83→06-89 CORONA |
| P-514501 | 45,0 | TOYOTA TOYOTA | MR2 YARIS |
| P-514502 | 45,0 | TOYOTA TOYOTA TOYOTA TOYOTA TOYOTA | CAMRY CARINA COROLLA (E10 SERIES) 06-91→11-99 COROLLA (E8 SERIES) 05-83→06-89 COROLLA (E9 - SERIES) 05-87→10-95 |

MANUFACTURAS WRACKYNSON

www.wrakynson.com

Page 673 of 822



CALIPER PISTONS & THEIR APPLICATIONS



| | | | |
|-----------------|------|---|---|
| P-514502 | 45,0 | TOYOTA TOYOTA TOYOTA | CORONA MR2 STARLET |
| P-514503 | 45,0 | DAIHATSU DAIHATSU KIA MAZDA MAZDA MAZDA | CUORE HIJET RIO 121 323 (BF - BW SERIES) 08-85→10-98 DEMIO |
| P-514504 | 45,0 | DAIHATSU DAIHATSU DAIHATSU HONDA | APPLAUSE CHARADE CUORE CIVIC (IV SERIES) |
| P-514505 | 45,0 | DAIHATSU HONDA HYUNDAI MITSUBISHI MITSUBISHI MITSUBISHI MITSUBISHI TOYOTA | CHARMANT CIVIC (II SERIES) PONY - EXCEL CELESTE COLT GALANT (I SERIES) 01-77→08-80 LANCER (I SERIES A17) 09-79→02-83 COROLLA (E7 SERIES) 09-79→08-87 |
| P-514506 | 45,0 | DAIHATSU MAZDA MAZDA MAZDA TOYOTA TOYOTA TOYOTA TOYOTA | CHARMANT 323 (FA SERIES) 01-77→05-86 RX5 RX7 CARINA CELICA COROLLA (KE - TE SERIES) 02-70→11-81 CORONA |
| P-514601 | 46,0 | HONDA HONDA KIA KIA MAZDA MITSUBISHI MITSUBISHI MITSUBISHI MITSUBISHI MITSUBISHI | CIVIC (III SERIES) PRELUDE CARNIVAL PICANTO MX5 COLT GALANT (II SERIES) 09-80→05-84 LANCER (I SERIES A17) 09-79→02-83 LANCER (III SERIES C1-C3) 11-83→06-92 SAPPORO |
| P-514801 | 48,0 | TOYOTA | YARIS |
| P-514802 | 48,0 | NISSAN - DATSUN | PATROL |
| P-515201 | 52,5 | INFINITI NISSAN - DATSUN NISSAN - DATSUN NISSAN - DATSUN | QX56 ARMADA PATHFINDER TITAN |
| P-515301 | 53,0 | NISSAN - DATSUN NISSAN - DATSUN | PATROL PIXO |



| | | | |
|-----------------|------|--|---|
| | | NISSAN - DATSUN | SAFARI |
| P-515501 | 55,0 | INFINITI NISSAN - DATSUN NISSAN - DATSUN | QX56 ARMADA TITAN |
| P-516001 | 60,5 | MERCEDES VOLKSWAGEN | SPRINTER (906) 06→ CRAFTER |
| P-524301 | 43,5 | OPEL OPEL OPEL OPEL | ASCONA - MANTA CORSA (A SERIES) KADETT REKORD |
| P-524401 | 44,2 | OPEL | REKORD |
| P-524801 | 48,0 | DAEWOO DAEWOO DAEWOO DAEWOO OPEL OPEL OPEL OPEL OPEL | ARANOS ESPERO LANOS NEXIA ASCONA - MANTA ASTRA (F SERIES) CALIBRA KADETT VECTRA |
| P-524802 | 48,8 | CHEVROLET CHEVROLET DAEWOO DAEWOO | AVEO SPARK KALOS LANOS |
| P-525001 | 50,2 | MERCEDES NISSAN - DATSUN RENAULT | MB 100 (631) 81→97 CABSTAR - ATLAS MASTER |
| P-525301 | 53,7 | MERCEDES VOLKSWAGEN | SPRINTER (BM901-902-903-904-905) 95→06 LT SERIES |
| P-525302 | 54,2 | MERCEDES VOLKSWAGEN | SPRINTER (BM901-902-903-904-905) 95→06 LT SERIES |
| P-525601 | 56,8 | OPEL OPEL OPEL | ASTRA (G SERIES) ASTRA (H SERIES) ZAFIRA |
| P-525602 | 56,6 | CITROËN FIAT PEUGEOT | JUMPER DUCATO BOXER |
| P-525801 | 58,0 | CITROËN FIAT PEUGEOT | JUMPER DUCATO BOXER |
| P-526001 | 60,5 | IVECO MERCEDES NISSAN - DATSUN RENAULT VOLKSWAGEN | DAILY (III SERIES) 06-99→05-06 SPRINTER (906) 06→ CABSTAR - ATLAS MASCOTT CRAFTER |
| P-526501 | 65,0 | IVECO IVECO | DAILY (III SERIES) 06-99→05-06 DAILY (IV SERIES) 06-06→09-11 |
| P-542801 | 28,0 | ROVER ROVER | MG TRIUMPH |

MANUFACTURAS WRACKYNSON

www.wrakynson.com

Page 674 of 822



CALIPER PISTONS & THEIR APPLICATIONS



| | | | |
|-----------------|------|-----------------|---|
| P-542901 | 29,0 | FORD | CAPRI |
| | | FORD | CORTINA |
| | | FORD | ESCORT - ORION |
| | | FORD | GRANADA - CONSUL |
| | | FORD | P100 |
| | | FORD | TAUNUS |
| | | ROVER | 2.300 - 2.400 - 2.600 - 3.500 |
| | | TOYOTA | CORONA |
| P-542902 | 29,0 | FORD | CORTINA |
| | | JAGUAR | E-TYPE |
| | | ROVER | MG |
| | | VOLVO | AMAZON |
| P-542903 | 29,0 | PEUGEOT | 504 |
| | | PEUGEOT | 505 |
| P-542904 | 29,7 | SAAB | 90 |
| | | SAAB | 900 |
| | | SAAB | 99 |
| P-542905 | 29,3 | VOLKSWAGEN | TRANSPORTER (II SERIES) 08-67→09-79 |
| P-543201 | 32,5 | VOLKSWAGEN | TRANSPORTER (II SERIES) 08-67→09-79 |
| | | VOLKSWAGEN | TRANSPORTER (III SERIES) 05-79→12-92 |
| P-543301 | 33,0 | VOLKSWAGEN | TRANSPORTER (II SERIES) 08-67→09-79 |
| | | VOLKSWAGEN | TRANSPORTER (III SERIES) 05-79→12-92 |
| P-543302 | 29,7 | SAAB | 90 |
| | | SAAB | 900 |
| | | SAAB | 99 |
| P-544201 | 42,5 | NISSAN - DATSUN | ALMERA |
| | | NISSAN - DATSUN | BLUEBIRD |
| | | NISSAN - DATSUN | LAUREL |
| | | NISSAN - DATSUN | PRIMERA |
| | | NISSAN - DATSUN | SUNNY - PULSAR - 100NX (B13 SERIES) |
| P-544301 | 43,5 | OPEL | OMEGA |
| P-544302 | 43,0 | DAIHATSU | FEROZA |
| | | DAIHATSU | ROCKY |
| | | MAZDA | 929 |
| P-544401 | 44,5 | MAZDA | 323 (BA SERIE) 05-94→01-01 |
| | | MAZDA | 323 (BG SERIES) 04-87→09-00 |
| | | MAZDA | MX3 |
| P-544402 | 44,0 | HONDA | CIVIC (IV SERIES) |
| | | HONDA | CRX |
| | | HONDA | PRELUDE |
| | | NISSAN - DATSUN | PRIMERA |
| P-544501 | 45,0 | ISUZU | CHEVROLET LUV PICK - UP |
| | | ISUZU | FASTER (PICK-UP - KB - KBG - KBD) |
| | | ISUZU | SETA |
| | | ISUZU | TROOPER |
| | | MAZDA | 929 |
| | | MAZDA | B SERIES |



| | | | |
|-----------------|------|------------|--|
| | | MITSUBISHI | LANCER (III SERIES C1-C3) 11-83→06-92 |
| | | MITSUBISHI | SPACE WAGON |
| | | MITSUBISHI | TREDIA - CORDIA |
| | | SUZUKI | BALENO |
| | | TOYOTA | CAMRY |
| | | TOYOTA | CARINA |
| | | TOYOTA | CELICA |
| | | TOYOTA | CORONA |
| P-544502 | 45,5 | FORD | PROBE |
| | | MAZDA | 626 |
| | | TOYOTA | PRIUS |
| P-544503 | 45,0 | SUBARU | L-SERIES 1300 - 1600 - 1800 |
| P-544504 | 45,0 | HONDA | ACCORD (III SERIES) 11-85→12-89 |
| | | HONDA | CRX |
| | | HONDA | INTEGRA |
| | | HONDA | PRELUDE |
| P-544601 | 46,0 | HONDA | CIVIC (V SERIES) |
| | | HONDA | CIVIC (VI SERIES) |
| | | HONDA | CIVIC (VII SERIES) |
| | | HONDA | CIVIC (VIII SERIES) |
| | | HONDA | CRX |
| | | HONDA | FR-V |
| | | HONDA | STREAM |
| | | MAZDA | 323 (BD SERIE) 06-80→10-89 |
| | | MAZDA | 626 |
| | | SUZUKI | LIANA |
| | | VOLVO | 440 - 460 - 480 |
| P-544602 | 46,8 | PEUGEOT | 505 |
| | | RENAULT | FUEGO |
| | | RENAULT | R18 |
| | | RENAULT | R20 |
| | | RENAULT | R30 |
| | | RENAULT | R5 - R6 |
| P-544603 | 46,0 | KIA | RIO |
| | | KIA | SHUMA |
| | | MAZDA | 929 |
| P-544701 | 47,5 | MITSUBISHI | COLT |
| | | MITSUBISHI | ECLIPSE |
| | | MITSUBISHI | GALANT (IV SERIES) 11-87→03-93 |
| | | MITSUBISHI | GALANT (V SERIES) 11-92→10-96 |
| | | MITSUBISHI | LANCER (V SERIES CB-CD) 06-92→09-00 |
| | | MITSUBISHI | SPACE RUNNER |
| | | MITSUBISHI | SPACE WAGON |
| | | SUBARU | IMPREZA |
| P-544702 | 47,0 | FIAT | RITMO - NUOVA |
| | | RENAULT | ALPINE |
| | | RENAULT | R12 |
| | | RENAULT | R15 |
| | | RENAULT | R16 |

MANUFACTURAS WRACKYNSON

www.wrakynson.com

Page 675 of 822



CALIPER PISTONS & THEIR APPLICATIONS



| | | | |
|-----------------|------|------------|------------------------------|
| P-544702 | 47,0 | RENAULT | R17 |
| | | RENAULT | R20 |
| | | RENAULT | R5 - R6 |
| | | RENAULT | TRAFIC |
| | | TALBOT | 1510 |
| | | TALBOT | SOLARA |
| P-544703 | 47,7 | HYUNDAI | ACCENT |
| | | KIA | RIO |
| P-544704 | 47,5 | MITSUBISHI | L200 |
| | | MITSUBISHI | L300 |
| | | MITSUBISHI | MONTERO |
| | | MITSUBISHI | PAJERO |
| P-544801 | 48,1 | BMW | 3 SERIES (E36) 91→ |
| | | BMW | 3 SERIES (E46) 9-98→ |
| | | BMW | Z3 |
| | | BMW | Z4 (E85) |
| P-544803 | 48,0 | OPEL | CALIBRA |
| | | OPEL | OMEGA |
| | | OPEL | VECTRA |
| P-544804 | 48,5 | DAIHATSU | TERIOS |
| P-544805 | 48,0 | TOYOTA | YARIS |
| P-544901 | 49,8 | ALFA ROMEO | 145 - 146 |
| | | ALFA ROMEO | 164 |
| | | BMW | 1 SERIES (E81 - E87) 09-04→ |
| | | BMW | 1 SERIES CABRIO (E88) 03-07→ |
| | | BMW | 1 SERIES COUPE (E82) 09-07→ |
| | | FIAT | CROMA |
| | | FIAT | PUNTO (176 SERIES) |
| | | FORD | FIESTA |
| | | FORD | SIERRA |
| | | HONDA | CIVIC (VI SERIES) |
| | | HONDA | CIVIC (VII SERIES) |
| | | HONDA | CONCERTO |
| | | LANCIA | THEMA - GAMMA |
| | | LANCIA | YPSILON |
| | | MERCEDES | 190 (W201) 10-82→08-93 |
| | | MERCEDES | A-CLASS (W168) 07-97→08-04 |
| | | MINI | MINI (R50 - R53) |
| | | MITSUBISHI | CARISMA |
| | | MITSUBISHI | COLT |
| | | MITSUBISHI | SPACE STAR |
| | | ROVER | 200 - 400 SERIES |
| | | ROVER | 25 |
| | | ROVER | 45 |
| | | ROVER | MAESTRO |
| | | ROVER | MG |
| | | ROVER | MONTEGO |
| | | ROVER | STREETWISE |
| | | SAAB | 900 |
| | | SAAB | 9000 |
| | | SKODA | FAVORIT |



| | | | |
|-----------------|------|-----------------|--|
| | | SKODA | FELICIA |
| | | SKODA | FORMAN |
| | | SMART | FORFOUR |
| | | TOYOTA | COROLLA (E11 SERIES) 04-97→06-02 |
| | | VOLVO | S40 - V40 - V50 |
| P-544902 | 49,0 | MAZDA | 323 (BA SERIE) 05-94→01-01 |
| | | MAZDA | 323 (BJ SERIE) 05-98→05-04 |
| | | MAZDA | MX5 |
| | | MITSUBISHI | COLT |
| | | MITSUBISHI | GALANT (IV SERIES) 11-87→03-93 |
| | | MITSUBISHI | LANCER (III SERIES C1-C3) 11-83→06-92 |
| | | MITSUBISHI | LANCER (IV SERIES C6-C7) 04-88→05-94 |
| | | MITSUBISHI | LANCER (V SERIES CB-CD) 06-92→09-00 |
| | | TOYOTA | COROLLA (E10 SERIES) 06-91→11-99 |
| | | TOYOTA | COROLLA (E11 SERIES) 04-97→06-02 |
| | | TOYOTA | RAV-4 |
| P-544903 | 49,0 | PEUGEOT | 205 |
| | | RENAULT | ESPACE |
| | | RENAULT | FUEGO |
| | | RENAULT | R18 |
| | | RENAULT | R20 |
| | | RENAULT | R21 - NEVADA |
| | | RENAULT | R30 |
| P-544904 | 49,0 | CHEVROLET | AVEO |
| | | CHEVROLET | NUBIRA |
| | | DAEWOO | LACETTI |
| | | DAEWOO | NUBIRA |
| | | DAIHATSU | SIRION |
| | | HYUNDAI | ACCENT |
| | | HYUNDAI | ELANTRA |
| | | HYUNDAI | GETZ |
| | | HYUNDAI | LANTRA |
| | | HYUNDAI | PONY - EXCEL |
| | | HYUNDAI | SCOUPE |
| | | MAZDA | 2 |
| | | NISSAN - DATSUN | ALMERA |
| | | SUBARU | JUSTY |
| | | SUZUKI | BALENO |
| | | SUZUKI | VITARA - GRAND VITARA |
| P-544905 | 49,0 | NISSAN - DATSUN | ALMERA |
| P-545001 | 50,5 | CITROËN | XSARA |
| | | MAZDA | RX8 |
| | | NISSAN - DATSUN | KUBISTAR |
| | | PEUGEOT | 206 |
| | | PEUGEOT | 306 |
| | | RENAULT | KANGOO |
| P-545003 | 50,5 | DACIA | DOKKER |
| | | DACIA | DUSTER |

MANUFACTURAS WR McKaynson

www.wrakynson.com

Page 676 of 822



CALIPER PISTONS & THEIR APPLICATIONS



| | | | |
|-----------------|------|---------|--------------------|
| P-545003 | 50,5 | DACIA | LODGY |
| | | FIAT | 500 |
| | | FIAT | PANDA - MARBELLA |
| | | FIAT | PUNTO (199 SERIES) |
| | | LANCIA | YPSILON |
| | | RENAULT | FLUENCE |
| | | RENAULT | MEGANE |
| | | RENAULT | SCENIC |

| | | | |
|-----------------|------|---------|--------------------|
| P-545003 | 50,5 | FIAT | DOBLO |
| | | FIAT | PALIO |
| | | FIAT | PUNTO (188 SERIES) |
| | | FORD | ESCORT - ORION |
| | | FORD | FIESTA |
| | | FORD | P100 |
| | | FORD | PUMA |
| | | FORD | SIERRA |
| | | MAZDA | 121 |
| | | CITROËN | XSARA |
| | | FIAT | 500 |
| | | FIAT | DOBLO |
| | | FIAT | FIORINO |
| | | FIAT | GRANDE PUNTO |
| | | FIAT | IDEA |
| | | FIAT | LINEA |

| | | | |
|-----------------|------|------|--------------------|
| P-545101 | 51,0 | FIAT | DOBLO |
| | | FIAT | PALIO |
| | | FIAT | PUNTO (188 SERIES) |
| | | FORD | ESCORT - ORION |
| | | FORD | FIESTA |
| | | FORD | P100 |
| | | FORD | PUMA |
| | | FORD | SIERRA |

| | | | |
|-----------------|------|------|---------------------------|
| P-545202 | 52,4 | AUDI | 100 (C3 SERIES) 82→90 |
| | | AUDI | 80 - 90 (B3 SERIES) 86→91 |
| | | AUDI | CABRIOLET |
| | | AUDI | COUPE |

| | | | |
|-----------------|------|---------|----------------|
| P-545102 | 51,5 | CITROËN | BERLINGO |
| | | CITROËN | C4 |
| | | FIAT | BRAVO - BRAVA |
| | | FIAT | STILO |
| | | FORD | ESCORT - ORION |
| | | LANCIA | YPSILON |
| | | PEUGEOT | 1007 |
| | | PEUGEOT | 207 |

| | | | |
|-----------------|------|---------|----|
| P-545203 | 52,7 | CITROËN | C5 |
|-----------------|------|---------|----|

| | | | |
|-----------------|------|------------|-----------------|
| P-545103 | 51,0 | ALFA ROMEO | 145 - 146 |
| | | ALFA ROMEO | 155 |
| | | ALFA ROMEO | SPIDER |
| | | FIAT | ARGENTA - NUOVA |
| | | FIAT | CROMA |
| | | FIAT | SEICENTO |
| | | FIAT | TEMPRA |
| | | FIAT | TIPO |
| | | LANCIA | DEDRA |
| | | LANCIA | THEMA - GAMMA |

| | | | |
|-----------------|------|----------|----------|
| P-545204 | 52,0 | CHRYSLER | NEON |
| | | KIA | SPORTAGE |

| | | | |
|-----------------|------|---------|---------|
| P-545104 | 51,0 | HYUNDAI | COUPE |
| | | HYUNDAI | ELANTRA |
| | | HYUNDAI | i20 |
| | | HYUNDAI | LANTRA |
| | | HYUNDAI | MATRIX |
| | | HYUNDAI | SOLARIS |
| | | KIA | JOICE |
| | | KIA | RIO |

| | | | |
|-----------------|------|------------|---------------------------|
| P-545301 | 53,7 | ALFA ROMEO | 155 |
| | | ALFA ROMEO | 164 |
| | | AUDI | 100 (C3 SERIES) 82→90 |
| | | AUDI | 200 |
| | | AUDI | 80 - 90 (B2 SERIES) 78→86 |
| | | AUDI | 80 - 90 (B3 SERIES) 86→91 |
| | | AUDI | 80 (B4 SERIES) 91→95 |
| | | AUDI | A4 (B5 SERIES) 94→01 |
| | | AUDI | A4 (B6 SERIES) 01→05 |
| | | AUDI | A4 (B7 SERIES) 05→07 |
| | | AUDI | CABRIOLET |
| | | AUDI | COUPE |
| | | CITROËN | BERLINGO |
| | | CITROËN | C2 |
| | | CITROËN | C3 |

| | | | |
|-----------------|------|-------|-------|
| P-545105 | 51,7 | DACIA | LOGAN |
|-----------------|------|-------|-------|

| | | | |
|-----------------|------|------------|--------|
| P-545201 | 52,5 | ALFA ROMEO | MITO |
| | | CITROËN | C2 |
| | | CITROËN | C3 |
| | | CITROËN | DS3 |
| | | CITROËN | NEMO |
| | | DACIA | DUSTER |
| | | DACIA | LOGAN |
| | | FIAT | COUPE |
| | | FIAT | CROMA |



CALIPER PISTONS & THEIR APPLICATIONS



| | | | |
|-----------------|------------|---|---|
| P-545301 | 53,7 | HONDA | CIVIC (VIII SERIES) |
| | | LANCIA | DEDRA |
| | | LANCIA | DELTA - PRISMA |
| | | LANCIA | KAPPA |
| | | LANCIA | THEMA - GAMMA |
| | | MERCEDES | 124 - 200 - 500 (W124 SERIES) 85→06-93 |
| | | MERCEDES | C-CLASS (T202) 6-96→3-01 |
| | | MERCEDES | C-CLASS (W202) 3-93→5-00 |
| | | MERCEDES | COUPE (C124) 3-87→5-93 |
| | | MERCEDES | E-CLASS (W124-S124) 6-93→6-96 |
| | | MERCEDES | KOMBI T MODEL (S124) 9-85→06-93 |
| | | NISSAN - DATSUN | MICRA |
| | | NISSAN - DATSUN | NOTE |
| | | OPEL | AGILA |
| | | PEUGEOT | 306 |
| | | PEUGEOT | 405 |
| | | PEUGEOT | PARTNER |
| | | RENAULT | CLIO |
| | | RENAULT | SPACE |
| | | RENAULT | FUEGO |
| | | RENAULT | KANGOO |
| | | RENAULT | LAGUNA |
| | | RENAULT | MEGANE |
| | | RENAULT | MEGANE SCENIC |
| | | RENAULT | MODUS |
| | | RENAULT | R18 |
| | | RENAULT | R20 |
| | | RENAULT | R21 - NEVADA |
| | | RENAULT | R25 |
| | | RENAULT | R30 |
| | | RENAULT | SAFRANE |
| | | RENAULT | SCENIC |
| | | SEAT | CORDOBA |
| | | SEAT | IBIZA |
| | | SEAT | INCA |
| | | SEAT | TOLEDO |
| | | SKODA | FABIA |
| | | SKODA | ROOMSTER |
| | | SUZUKI | SPLASH |
| | | SUZUKI | SWIFT |
| | | VOLKSWAGEN | CADDY |
| | | VOLKSWAGEN | CORRADO |
| | | VOLKSWAGEN | GOLF (II SERIES) 08-83→12-92 |
| | | VOLKSWAGEN | GOLF (III SERIES) 08-91→07-98 |
| | | VOLKSWAGEN | GOLF (IV SERIES) 08-97→06-05 |
| | VOLKSWAGEN | JETTA (II SERIES) 08-83→12-92 | |
| | VOLKSWAGEN | LUPO | |
| | VOLKSWAGEN | PASSAT (3A2 - 35I - 3A5 - 35I) 02-88→12-97 | |
| | VOLKSWAGEN | PASSAT (3B2 - 3B5) 08-96→12-01 | |

| | | | |
|-----------------|------|------------|--|
| | | VOLKSWAGEN | POLO (III SERIES) 09-94→10-01 |
| | | VOLKSWAGEN | POLO (IV SERIES) 10-01→11-09 |
| | | VOLKSWAGEN | POLO CLASSIC |
| | | VOLKSWAGEN | SCIROCCO |
| | | VOLKSWAGEN | TRANSPORTER (IV SERIES) 07-90→04-03 |
| | | VOLKSWAGEN | VENTO |
| | | VOLVO | 440 - 460 - 480 |
| P-545302 | 53,1 | OPEL | CALIBRA |
| | | OPEL | OMEGA |
| | | OPEL | VECTRA |
| | | SAAB | 900 |
| P-545303 | 53,0 | BMW | 3 SERIES (E30) 83→ |
| | | BMW | 5 SERIES (E28) 81→88 |
| P-545304 | 53,0 | PEUGEOT | 504 |
| | | PEUGEOT | 505 |
| | | PEUGEOT | 604 |
| | | PORSCHE | 924 |
| | | PORSCHE | 928 |
| | | PORSCHE | 944 |
| | | TALBOT | TAGORA |
| P-545305 | 53,5 | FORD | FOCUS |
| P-545401 | 54,3 | AUDI | 100 (C2 SERIES) 76→82 |
| | | AUDI | 200 |
| | | MERCEDES | C-CLASS (W202) 3-93→5-00 |
| P-545402 | 54,0 | CITROËN | XANTIA |
| P-545403 | 54,0 | KIA | SEPHIA |
| | | KIA | SHUMA |
| P-545501 | 55,5 | ALFA ROMEO | 145 - 146 |
| | | ALFA ROMEO | 147 |
| | | ALFA ROMEO | 156 |
| | | ALFA ROMEO | GT |
| | | ALFA ROMEO | GTV |
| | | ALFA ROMEO | SPIDER |
| | | FIAT | BARCETTA |
| | | FIAT | BRAVO - BRAVA |
| | | FIAT | COUPE |
| | | FIAT | MAREA |
| | | FIAT | MULTIPLA |
| | | FIAT | PUNTO (188 SERIES) |
| | | FORD | FOCUS |
| | | FORD | TOURNEO |
| | | FORD | TRANSIT CONNECT |
| | | LANCIA | LYBRA |
| P-545502 | 55,5 | AUDI | A1 |
| | | AUDI | A3 (8P SERIES) 02→12 |
| | | AUDI | TT (8J SERIES) 07→14 |
| | | BMW | 1 SERIES (E81 - E87) 09-04→ |
| | | BMW | 1 SERIES CABRIO (E88) 03-07→ |
| | | BMW | 1 SERIES COUPE (E82) 09-07→ |
| | | BMW | 3 SERIES (E90) 05→ |



CALIPER PISTONS & THEIR APPLICATIONS



| | | | |
|-----------------|------|------------|--------------------------------|
| P-545502 | 55,5 | BMW | 3 SERIES (E92) 6-06→ |
| | | FORD | FIESTA |
| | | FORD | FUSION |
| | | FORD | KA |
| | | FORD | PUMA |
| | | MAZDA | 121 |
| | | MAZDA | 2 |
| | | RENAULT | CAPTUR |
| | | RENAULT | GRAND SCENIC |
| | | RENAULT | MEGANE |
| | | RENAULT | SCENIC |
| | | SEAT | ALTEA |
| | | SEAT | IBIZA |
| | | SEAT | LEON |
| | | SEAT | TOLEDO |
| | | SKODA | FABIA |
| | | SKODA | OCTAVIA |
| | | SKODA | RAPID |
| | | SKODA | YETI |
| | | TOYOTA | YARIS |
| | | VOLKSWAGEN | CADDY |
| | | VOLKSWAGEN | CC (358 SERIES) 11-11→ |
| | | VOLKSWAGEN | EOS |
| | | VOLKSWAGEN | GOLF (V SERIES) 10-03→02-09 |
| | | VOLKSWAGEN | GOLF (VI SERIES) 10-08→11-13 |
| | | VOLKSWAGEN | GOLF PLUS 01-05→ |
| | | VOLKSWAGEN | JETTA (III SERIES) 08-05→10-10 |
| | | VOLKSWAGEN | JETTA (IV SERIES) 04-10→ |
| | | VOLKSWAGEN | NEW BEETLE |
| | | VOLKSWAGEN | PASSAT (3C2 - 3C5) 03-05→ |
| | | VOLKSWAGEN | POLO (V SERIES) 06-09→ |
| | | VOLKSWAGEN | SCIROCCO |
| | | VOLKSWAGEN | TOURAN |

| | | | |
|-----------------|------|------|------------------|
| P-545503 | 55,3 | OPEL | COMBO |
| | | OPEL | CORSA (C SERIES) |
| | | OPEL | MERIVA |
| | | OPEL | TIGRA |

| | | | |
|-----------------|------|------------|-----|
| P-545601 | 56,0 | ALFA ROMEO | 147 |
| | | ALFA ROMEO | 156 |
| | | ALFA ROMEO | GT |

| | | | |
|-----------------|------|-------|----------------------|
| P-545801 | 58,5 | AUDI | A1 |
| | | AUDI | A2 |
| | | AUDI | A3 (8L SERIES) 96→03 |
| | | AUDI | A3 (8P SERIES) 02→12 |
| | | AUDI | TT (8N SERIES) 98→06 |
| | | SEAT | ALTEA |
| | | SEAT | IBIZA |
| | | SEAT | LEON |
| | | SEAT | TOLEDO |
| | | SKODA | FABIA |
| | | SKODA | OCTAVIA |

| | | | |
|--|--|------------|--|
| | | SKODA | ROOMSTER |
| | | VOLKSWAGEN | BORA |
| | | VOLKSWAGEN | CADDY |
| | | VOLKSWAGEN | FOX |
| | | VOLKSWAGEN | GOLF (III SERIES) 08-91→07-98 |
| | | VOLKSWAGEN | GOLF (IV SERIES) 08-97→06-05 |
| | | VOLKSWAGEN | GOLF (V SERIES) 10-03→02-09 |
| | | VOLKSWAGEN | GOLF (VI SERIES) 10-08→11-13 |
| | | VOLKSWAGEN | GOLF PLUS 01-05→ |
| | | VOLKSWAGEN | JETTA (III SERIES) 08-05→10-10 |
| | | VOLKSWAGEN | NEW BEETLE |
| | | VOLKSWAGEN | PASSAT (3A2 - 35I - 3A5 - 35I) 02-88→12-97 |
| | | VOLKSWAGEN | POLO (IV SERIES) 10-01→11-09 |
| | | VOLKSWAGEN | VENTO |

| | | | |
|-----------------|------|-------|-------------------------------|
| P-572801 | 28,5 | DAF | V200 FREIGHT - SHERPA |
| | | FORD | TRANSIT (II SERIES) 78→86 |
| | | ROVER | 2.300 - 2.400 - 2.600 - 3.500 |
| | | ROVER | TRIUMPH |

| | | | |
|-----------------|------|------|-----------------|
| P-572901 | 29,5 | OPEL | COMMODORE |
| | | OPEL | DIPLOMAT |
| | | OPEL | SENATOR - MONZA |

| | | | |
|-----------------|------|----------|--|
| P-573001 | 30,0 | MERCEDES | 8 (W114) 68→02-77 |
| | | MERCEDES | 8 (W115) 68→2-77 |
| | | MERCEDES | CABRIOLET HECKFLOSSE (W110-W111) 59→72 |
| | | MERCEDES | COUPE (W111) 1-61→12-71 |
| | | MERCEDES | PAGODE (W113) 63→72 |
| | | MERCEDES | S-CLASS (W108-W109) 1-66→8-72 |
| | | MERCEDES | SL (R107) 5-71→9-89 |

| | | | |
|-----------------|------|----------|---------------------------------|
| P-573002 | 30,5 | MERCEDES | S-CLASS (W126) 10-79→6-91 |
| | | MERCEDES | S-CLASS COUPE (C126) 10-81→6-91 |

| | | | |
|-----------------|------|----------|---------------------------------|
| P-573101 | 31,0 | MERCEDES | 8 (W114) 68→02-77 |
| | | MERCEDES | 8 (W115) 68→2-77 |
| | | MERCEDES | PAGODE (W113) 63→72 |
| | | MERCEDES | S-CLASS (W126) 10-79→6-91 |
| | | MERCEDES | S-CLASS (W140) 2-91→10-98 |
| | | MERCEDES | S-CLASS COUPE (C126) 10-81→6-91 |

| | | | |
|-----------------|------|----------|---------------------------|
| P-573102 | 31,0 | MERCEDES | C-CLASS (S202-S203) 6-96→ |
| | | MERCEDES | C-CLASS (W203) 5-00→ |
| | | MERCEDES | CLC-CLASS (203) 5-08→ |
| | | MERCEDES | CLK (A208-A209) 3-98→ |
| | | MERCEDES | CLK (C208-C209) 6-97→ |
| | | MERCEDES | SLK (R171) 3-04→ |

| | | | |
|-----------------|------|------------|-----------|
| P-573401 | 34,0 | VOLKSWAGEN | LT SERIES |
|-----------------|------|------------|-----------|

| | | | |
|-----------------|------|--------|--------|
| P-574401 | 44,0 | LEXUS | CT200H |
| | | TOYOTA | PRIUS |

| | | | |
|-----------------|------|--------|--|
| P-574501 | 45,5 | TOYOTA | CELICA |
| | | TOYOTA | COROLLA (E12 SERIES) 03-01→05-04 |
| | | TOYOTA | COROLLA VERSO (E12 SERIES) 09-01→01-04 |

MANUFACTURAS WRKYNSON

www.wrakynson.com

Page 679 of 822



CALIPER PISTONS & THEIR APPLICATIONS



| | | | |
|-----------------|----------|-----------------|-------------------------------------|
| P-574501 | 45,5 | TOYOTA | PRIUS |
| P-574502 | 45,0 | TOYOTA | CAMRY |
| | | TOYOTA | CARINA |
| | | TOYOTA | CELICA |
| P-574503 | 45,5 | ISUZU | CHEVROLET LUV PICK - UP |
| | | ISUZU | FASTER (PICK-UP - KB - KBG - KBD) |
| | | ISUZU | TROOPER |
| | | TOYOTA | CELICA |
| | | TOYOTA | F-MODEL |
| | | TOYOTA | LITEACE |
| | | TOYOTA | SUPRA |
| P-574601 | 46,5 | FORD | PROBE |
| | | MAZDA | 323 (BJ SERIES) 05-98→05-04 |
| | | MAZDA | 626 |
| | | MAZDA | MX6 |
| | | MAZDA | PREMACY |
| P-574602 | 46,0 | ISUZU | MIDI |
| | | MITSUBISHI | GALANT (II SERIES) 09-80→05-84 |
| | | MITSUBISHI | LANCER (II SERIES A17) 03-83→09-86 |
| | | MITSUBISHI | MONTERO |
| | | MITSUBISHI | PAJERO |
| | | MITSUBISHI | SAPPORO |
| | | MITSUBISHI | STARION |
| | | SUZUKI | VITARA - GRAND VITARA |
| | | TOYOTA | CRESSIDA |
| | | TOYOTA | CROWN |
| | | P-574603 | 46,1 |
| KIA | CLARUS | | |
| KIA | RETONA | | |
| KIA | SPORTAGE | | |
| P-574604 | 46,0 | MAZDA | 6 |
| P-574801 | 48,3 | HONDA | CR-V (I SERIES) |
| | | HONDA | CR-V (II SERIES) |
| | | MITSUBISHI | L200 |
| | | MITSUBISHI | L300 |
| | | MITSUBISHI | MONTERO |
| | | MITSUBISHI | PAJERO |
| P-574802 | 48,0 | CHRYSLER | SEBRING |
| | | DODGE | CALIBER |
| | | JEEP | COMPASS |
| | | JEEP | PATRIOT |
| | | MITSUBISHI | LANCER (VII SERIES CX-CY-CZ) 03-07→ |
| P-574803 | 48,0 | HONDA | PRELUDE |
| | | TOYOTA | YARIS |
| P-574901 | 49,0 | MAZDA | 323 (BA SERIE) 05-94→01-01 |



| | | | |
|-----------------|---------------|-----------------|--|
| | | MAZDA | 323 (BG SERIES) 04-87→09-00 |
| | | TOYOTA | CAMRY |
| | | TOYOTA | CARINA |
| | | TOYOTA | CELICA |
| | | TOYOTA | COROLLA VERSO (E12 SERIES) 09-01→01-04 |
| | | TOYOTA | PIC-NIC |
| P-574902 | 49,5 | NISSAN - DATSUN | PRIMERA |
| P-574903 | 49,0 | CHEVROLET | EPICA |
| | | CHEVROLET | EVANDA |
| | | CHEVROLET | TACUMA |
| | | DAEWOO | EVANDA |
| | | DAEWOO | LEGANZA |
| | | DAEWOO | REZZO |
| P-575001 | 49,8 | HONDA | ACCORD (VI SERIES) 03-97→12-03 |
| | | HONDA | CIVIC (VII SERIES) |
| | | LAND ROVER | FREELANDER |
| | | MERCEDES | A-CLASS (W168) 07-97→08-04 |
| | | NISSAN - DATSUN | ALMERA |
| | | NISSAN - DATSUN | MAXIMA |
| | | NISSAN - DATSUN | PRIMERA |
| | | ROVER | 800 SERIES |
| | | TOYOTA | COROLLA (E12 SERIES) 03-01→05-04 |
| | | TOYOTA | COROLLA (E13 SERIES) 03-04→04-09 |
| | | VOLVO | 740 - 760 - 780 |
| | | VOLVO | 940 - 960 |
| | | VOLVO | S90 - V90 |
| | | P-575101 | 51,7 |
| CITROËN | EVASION | | |
| CITROËN | JUMPY | | |
| FIAT | BRAVO - BRAVA | | |
| FIAT | SCUDO | | |
| FIAT | STILO | | |
| FIAT | ULYSSE | | |
| LANCIA | ZETA | | |
| PEUGEOT | 605 | | |
| PEUGEOT | 806 | | |
| P-575102 | 51,5 | HONDA | ACCORD (III SERIES) 11-85→12-89 |
| | | HONDA | CIVIC (IV SERIES) |
| | | HONDA | LEGEND |
| | | HONDA | PRELUDE |
| P-575103 | 51,2 | HYUNDAI | COUPE |
| | | HYUNDAI | ELANTRA |
| | | HYUNDAI | GALLOPER |
| | | HYUNDAI | i30 |
| | | HYUNDAI | ix20 |
| | | HYUNDAI | SONATA |
| | | HYUNDAI | VELOSTER |

MANUFACTURAS WRACKYNSON

www.wrakynson.com

Page 680 of 822



CALIPER PISTONS & THEIR APPLICATIONS



| | | | |
|-----------------|------|-----------------|-------------------------------------|
| P-575103 | 51,2 | KIA | CEE'D |
| | | KIA | CERATO |
| | | KIA | MAGENTIS |
| | | KIA | SOUL |
| | | MITSUBISHI | GALLOPER |
| | | NISSAN - DATSUN | 200SX |
| | | NISSAN - DATSUN | CUBE |
| | | NISSAN - DATSUN | JUKE |
| | | NISSAN - DATSUN | LEAF |
| | | NISSAN - DATSUN | MAXIMA |
| | | NISSAN - DATSUN | PRAIRIE |
| | | NISSAN - DATSUN | PRIMERA |
| | | NISSAN - DATSUN | TEANA |
| | | NISSAN - DATSUN | TIIDA |
| | | SUBARU | IMPREZA |
| | | SUBARU | LEGACY (I SERIES) 01-89→08-94 |
| | | SUBARU | LEGACY (II SERIES) 02-94→03-99 |
| | | SUZUKI | SX4 |
| P-575104 | 51,6 | CITROËN | XANTIA |
| | | CITROËN | XM |
| P-575201 | 52,7 | CITROËN | C5 |
| P-575202 | 52,5 | OPEL | CORSA (D SERIES) |
| | | PEUGEOT | 3008 |
| | | PEUGEOT | 308 |
| | | TOYOTA | AVENSIS |
| | | TOYOTA | COROLLA (E13 SERIES) 03-04→04-09 |
| | | TOYOTA | COROLLA (E15 SERIES) 11-06→ |
| P-575203 | 52,2 | MAZDA | 6 |
| P-575204 | 52,5 | MAZDA | 6 |
| P-575301 | 53,0 | BMW | 3 SERIES (E46) 9-98→ |
| | | BMW | X3 (E83) |
| | | PEUGEOT | 605 |
| | | SAAB | 9000 |
| | | VOLVO | 850 |
| | | VOLVO | 940 - 960 |
| | | VOLVO | S70 - V70 - C70 |
| P-575302 | 53,6 | HONDA | ACCORD (IV SERIES) 11-89→12-93 |
| | | HONDA | ACCORD (V SERIES) 03-93→10-98 |
| | | HONDA | CIVIC (VI SERIES) |
| | | HONDA | CR-V (I SERIES) |
| | | HONDA | FR-V |
| | | HONDA | HR-V |
| | | HONDA | LEGEND |
| | | HONDA | PRELUDE |
| | | HONDA | SHUTTLE |
| | | MERCEDES | A-CLASS (W169) 09-04→ |
| | | ROVER | 600 SERIES |
| P-575303 | 53,0 | BMW | 5 SERIES (E28) 81→88 |
| | | BMW | 6 SERIES (E24) 76→88 |



| | | | |
|-----------------|------|------------|--------------------------------------|
| P-575304 | 53,6 | FORD | MONDEO |
| | | JAGUAR | X-TYPE |
| | | TOYOTA | AURIS |
| | | TOYOTA | COROLLA VERSO (R10 SERIES) 02-04→ |
| | | TOYOTA | VERSO |
| P-575305 | 53,8 | CHRYSLER | PT CRUISER |
| P-575306 | 53,0 | AUDI | A4 (B8 SERIES) 08→ |
| | | AUDI | A5 |
| P-575401 | 54,8 | ALFA ROMEO | 164 |
| | | AUDI | A3 (8V SERIES) 04-12→ |
| | | CITROËN | DS4 |
| | | CITROËN | EVASION |
| | | CITROËN | JUMPY |
| | | CITROËN | XSARA |
| | | CITROËN | ZX |
| | | FIAT | SCUDO |
| | | FIAT | SEDCI |
| | | FIAT | ULYSSE |
| | | KIA | VENGA |
| | | LANCIA | ZETA |
| | | MERCEDES | A-CLASS (W169) 09-04→ |
| | | MERCEDES | B-CLASS (W245) 03-05→ |
| | | MERCEDES | C-CLASS (S202-S203) 6-96→ |
| | | MERCEDES | C-CLASS (W203) 5-00→ |
| | | MERCEDES | C-CLASS COUPE (CL203) 03-01→ |
| | | MERCEDES | CLK (C208-C209) 6-97→ |
| | | MERCEDES | VANEO (414) 2-02→ |
| | | OPEL | OMEGA |
| | | OPEL | SENATOR - MONZA |
| | | PEUGEOT | 306 |
| | | PEUGEOT | 405 |
| | | PEUGEOT | 406 |
| | | PEUGEOT | 407 |
| | | PEUGEOT | 607 |
| | | PEUGEOT | 806 |
| | | PEUGEOT | EXPERT |
| | | SKODA | OCTAVIA |
| | | SUZUKI | SX4 |
| | | VOLKSWAGEN | GOLF (VII SERIES) 11-12→ |
| P-575403 | 54,0 | KIA | CLARUS |
| P-575501 | 55,2 | AUDI | 100 (C3 SERIES) 82→90 |
| | | AUDI | 100 (C4 SERIES) 90→95 |
| | | AUDI | A4 (B5 SERIES) 94→01 |
| | | AUDI | A4 (B6 SERIES) 01→05 |
| | | AUDI | A4 (B7 SERIES) 05→07 |
| | | AUDI | A6 (C4 SERIES) 94→97 |
| | | AUDI | A6 (C5 SERIES) 97→04 |
| | | AUDI | A6 (C6 SERIES) 04→11 |
| | | OPEL | ASTRA (G SERIES) |
| | | OPEL | ASTRA (H SERIES) |

MANUFACTURAS WRACKYNSON

www.wrakynson.com

Page 681 of 822



CALIPER PISTONS & THEIR APPLICATIONS



| | | | |
|-----------------|-----------------|------------|-----------------------------------|
| P-575501 | 55,2 | OPEL | COMBO |
| | | OPEL | CORSA (C SERIES) |
| | | OPEL | MERIVA |
| | | OPEL | VECTRA |
| | | OPEL | ZAFIRA |
| | | SAAB | 9.3 |
| | | SAAB | 9.5 |
| | | SAAB | 900 |
| | | SKODA | SUPERB |
| | | TOYOTA | AVENSIS |
| | | VOLKSWAGEN | PASSAT (3B2 - 3B5) 08-96→12-01 |
| | | VOLKSWAGEN | PASSAT (3B3 - 3B6) 11-00→05-05 |
| | P-575502 | 55,5 | ALFA ROMEO |
| | | LANCIA | KAPPA |
| P-575503 | 55,5 | AUDI | A3 (8P SERIES) 02→12 |
| | | AUDI | TT (8J SERIES) 07→14 |
| | | BMW | 3 SERIES (E90) 05→ |
| | | BMW | 3 SERIES (E92) 6-06→ |
| | | BMW | 3 SERIES (E93) 8-06→ |
| | | BMW | 3 TOURING (E91) 05→ |
| | | BMW | X1 (E84) 03-09→ |
| | | FORD | FOCUS |
| | | OPEL | SIGNUM |
| | | OPEL | VECTRA |
| | | VOLKSWAGEN | EOS |
| | | VOLKSWAGEN | GOLF (V SERIES) 10-03→02-09 |
| | | VOLKSWAGEN | GOLF (VI SERIES) 10-08→11-13 |
| | | VOLVO | S40 - V40 - V50 |
| | | VOLVO | S70 - V70 - C70 |
| | P-575504 | 55,4 | ALFA ROMEO |
| | | AUDI | A5 |
| | | AUDI | Q3 |
| | | BMW | 3 SERIES (E90) 05→ |
| | | BMW | 3 SERIES (E92) 6-06→ |
| | | BMW | 3 SERIES (E93) 8-06→ |
| | | BMW | 3 TOURING (E91) 05→ |
| | | BMW | X1 (E84) 03-09→ |
| | | CITROËN | C4 |
| | | FORD | C-MAX |
| | | FORD | FOCUS |
| | | FORD | FOCUS C-MAX |
| | | FORD | GALAXY |
| | | FORD | KUGA |
| | | HONDA | ACCORD (VII SERIES) 02-03→ |
| | | HONDA | ACCORD (VIII SERIES) 06-08→ |
| | | HONDA | CIVIC (IX SERIES) |
| | | MAZDA | 3 |
| | | MAZDA | 5 |
| | | MAZDA | 6 |
| | PEUGEOT | 207 | |
| | PEUGEOT | 307 | |

| | | | | |
|-----------------|-----------------|--------------|--|--|
| | | PEUGEOT | 308 | |
| | | RENAULT | LAGUNA | |
| | | ROVER | 75 SERIES | |
| | | SEAT | ALHAMBRA | |
| | | TOYOTA | AVENSIS | |
| | | VOLKSWAGEN | TRANSPORTER (IV SERIES) 07-90→04-03 | |
| | | VOLVO | C30 | |
| | | VOLVO | S40 - V40 - V50 | |
| | | VOLVO | S60 - S80 | |
| | | VOLVO | S70 - V70 - C70 | |
| P-575505 | 55,7 | FIAT | CROMA | |
| | | OPEL | SIGNUM | |
| | | OPEL | VECTRA | |
| P-575506 | 55,0 | ACURA | CL | |
| | | HONDA | ACCORD (IV SERIES) 11-89→12-93 | |
| | | HONDA | ACCORD (V SERIES) 03-93→10-98 | |
| | | HONDA | ACCORD (VI SERIES) 03-97→12-03 | |
| | | SUBARU | IMPREZA | |
| | | SUBARU | LEGACY (II SERIES) 02-94→03-99 | |
| | | SUBARU | LEGACY (III SERIES) 10-98→08-03 | |
| | P-575701 | 57,5 | MERCEDES | C-CLASS (T202) 6-96→3-01 |
| | | MERCEDES | C-CLASS (W202) 3-93→5-00 | |
| | | MERCEDES | CLK (C208-C209) 6-97→ | |
| | | MERCEDES | E-CLASS (W210-S210-T210) 6-95→3-03 | |
| | | MERCEDES | SLK (R170) 4-96→4-04 | |
| P-575801 | | 58,5 | FORD | GALAXY |
| | | SEAT | ALHAMBRA | |
| | | VOLKSWAGEN | SHARAN | |
| | | VOLKSWAGEN | TRANSPORTER (IV SERIES) 07-90→04-03 | |
| P-586301 | 63,7 | FORD | CARGO | |
| | | VOLVO TRUCKS | F SERIES | |
| P-586302 | 63,7 | FORD | CARGO | |
| | | VOLVO TRUCKS | F SERIES | |
| P-602901 | 29,5 | MERCEDES | 123 - 200 - 300 (W123 SERIES) 76→86 | |
| | | MERCEDES | 8 (W114) 68→02-77 | |
| | | MERCEDES | 8 (W115) 68→2-77 | |
| | | MERCEDES | COUPE (C123) 3-77→12-85 | |
| | | MERCEDES | KOMBI T MODEL (S123) 9-77→12-85 | |
| | | MERCEDES | S-CLASS (W116) 8-72→7-80 | |
| | | MERCEDES | SL (R107) 5-71→9-89 | |
| | | MERCEDES | SL COUPE (C107) 01-72→9-81 | |
| | P-603002 | 30,8 | MERCEDES | 123 - 200 - 300 (W123 SERIES) 76→86 |
| | | | MERCEDES | COUPE (C123) 3-77→12-85 |
| | | MERCEDES | KOMBI T MODEL (S123) 9-77→12-85 | |
| | | MERCEDES | S-CLASS (W116) 8-72→7-80 | |
| | | MERCEDES | S-CLASS (W116) 8-72→7-80 | |

MANUFACTURAS WRKYNSON

www.wrakynson.com

Page 682 of 822



CALIPER PISTONS & THEIR APPLICATIONS



| | | | |
|-----------------|------|--|--|
| P-603002 | 30,8 | MERCEDES MERCEDES MERCEDES | S-CLASS (W126) 10-79→6-91 SL (R107) 5-71→9-89 SL COUPE (C107) 01-72→9-81 |
| P-603101 | 31,0 | MERCEDES MERCEDES MERCEDES MERCEDES MERCEDES MERCEDES MERCEDES | 123 - 200 - 300 (W123 SERIES) 76→86 COUPE (C123) 3-77→12-85 KOMBI T MODEL (S123) 9-77→12-85 S-CLASS (W126) 10-79→6-91 SL (R107) 5-71→9-89 SL COUPE (C107) 01-72→9-81 UNIMOG 01-66→ |
| P-604401 | 44,0 | FORD | FALCON |
| P-604601 | 46,6 | ISUZU ISUZU ISUZU ISUZU MITSUBISHI OPEL OPEL TOYOTA TOYOTA | CHEVROLET LUV PICK - UP D-MAX FASTER (PICK-UP - KB - KBG - KBD) TROOPER SAPPORO FRONTERA MONTEREY LITEACE PREVIA |
| P-604602 | 46,0 | FORD KIA KIA KIA MAZDA MAZDA | ECONOVAN BESTA CARENS K2500 - K2700 E1 - E2 (VAN - WAGON - PICK-UP) E2 - E3 - T (TRUCKS) |
| P-604701 | 47,0 | NISSAN - DATSUN NISSAN - DATSUN | QASHQAI X-TRAIL |
| P-604801 | 47,8 | OPEL | SENATOR - MONZA |
| P-604802 | 48,9 | MITSUBISHI MITSUBISHI MITSUBISHI MITSUBISHI MITSUBISHI MITSUBISHI MITSUBISHI MITSUBISHI MITSUBISHI MITSUBISHI | ECLIPSE GALANT (IV SERIES) 11-87→03-93 GALANT (V SERIES) 11-92→10-96 GALANT (VI SERIES) 09-96→10-04 L200 L400 MONTERO PAJERO SPACE GEAR SPACE WAGON |
| P-604803 | 48,2 | TOYOTA TOYOTA TOYOTA VOLKSWAGEN | DYNA HIACE HILUX TARO |
| P-604804 | 48,0 | LEXUS MITSUBISHI MITSUBISHI MITSUBISHI | RX GALANT (VI SERIES) 09-96→10-04 LANCER (VI SERIES CS-CT) 12-00→03-11 SPACE RUNNER |

| | | | |
|-----------------|------|--|---|
| | | TOYOTA CAMRY | |
| P-604805 | 48,3 | FORD MAZDA MAZDA | RANGER B SERIES BT-50 |
| P-604807 | 48,7 | NISSAN - DATSUN NISSAN - DATSUN | SERENA VANETTE |
| P-604901 | 49,0 | AUDI AUDI JAGUAR JAGUAR | 100 (C4 SERIES) 90→95 V8 XJ - XJS XK SERIES |
| P-604902 | 49,0 | LEXUS SUBARU TOYOTA TOYOTA TOYOTA TOYOTA TOYOTA TOYOTA | IS TREZIA AURIS CAMRY COROLLA (E14 SERIES) 09-06→ COROLLA (E15 SERIES) 11-06→ CROWN URBAN CRUISER |
| P-604905 | 49,0 | SSANYONG SSANYONG | KORANDO MUSSO |
| P-605001 | 50,0 | MITSUBISHI NISSAN - DATSUN NISSAN - DATSUN NISSAN - DATSUN NISSAN - DATSUN NISSAN - DATSUN NISSAN - DATSUN NISSAN - DATSUN NISSAN - DATSUN NISSAN - DATSUN NISSAN - DATSUN SUZUKI | L200 300ZX BLUEBIRD CABSTAR - ATLAS CEDRIC LAUREL MAXIMA NV200 PICK-UP PRAIRIE SILVIA URVAN VITARA - GRAND VITARA |
| P-605002 | 50,5 | CHRYSLER | LE BARON |
| P-605003 | 50,0 | TOYOTA | HILUX |
| P-605101 | 51,5 | HYUNDAI HYUNDAI HYUNDAI HYUNDAI HYUNDAI KIA KIA | GENESIS GRANDEUR H100 (VAN) SONATA TUCSON OPIRUS SPORTAGE |
| P-605102 | 51,0 | AUDI AUDI FORD | 100 (C3 SERIES) 82→90 200 SCORPIO |
| P-605103 | 51,0 | CHEVROLET CHEVROLET CHEVROLET MERCEDES OPEL OPEL | AVEO CRUZE ORLANDO M-CLASS (W163) 2-98→6-05 ASTRA (J SERIES) MOKKA |

MANUFACTURAS WRACKYNSON

www.wrakynson.com

Page 683 of 822



CALIPER PISTONS & THEIR APPLICATIONS



| | | | |
|-----------------|------|------------|--|
| P-605502 | 55,5 | RENAULT | ESPACE |
| | | RENAULT | LAGUNA |
| | | VOLKSWAGEN | MULTIVAN |
| | | VOLKSWAGEN | TOUAREG |
| | | VOLKSWAGEN | TRANSPORTER (V SERIES) 04-03→ |
| | | VOLVO | S60 - S80 |
| | | VOLVO | S70 - V70 - C70 |
| | | VOLVO | XC70 |
| P-605503 | 55,0 | MERCEDES | C-CLASS (W204-S204) 1-07→ |
| | | MERCEDES | E-CLASS (W212-S212) 01-09→ |
| | | MERCEDES | E-CLASS CABRIO (A207) |
| | | MERCEDES | E-CLASS COUPE (C207) 01-09→ |
| | | MERCEDES | GLA (X156) 12-13→ |
| | | MERCEDES | SLK (R172) 02-11→ |
| P-605504 | 55,0 | CHRYSLER | 300C |
| | | DODGE | CHALLENGER |
| | | DODGE | CHARGER |
| | | DODGE | MAGNUM |
| P-605601 | 56,7 | MERCEDES | SPRINTER (BM901-902-903-904-905) 95→06 |
| | | MERCEDES | V-CLASS (BM638-2) 2-96→7-03 |
| | | MERCEDES | VITO (BM638) 02-96→7-03 |
| P-605602 | 56,0 | FORD | MAVERICK |
| P-605603 | 56,0 | OPEL | SIGNUM |
| | | OPEL | VECTRA |
| | | SAAB | 9.3 |
| P-605701 | 57,4 | MERCEDES | E-CLASS (W211-S211) 3-02→ |
| P-605801 | 58,0 | MERCEDES | E-CLASS (W211-S211) 3-02→ |
| | | MERCEDES | S-CLASS (W220) 10-98→08-05 |
| | | MERCEDES | SPRINTER (BM901-902-903-904-905) 95→06 |
| | | MERCEDES | V-CLASS (BM638-2) 2-96→7-03 |
| | | MERCEDES | VITO (BM638) 02-96→7-03 |
| | | VOLKSWAGEN | LT SERIES |
| P-606301 | 63,3 | FORD | CARGO |
| | | IVECO | EUROCARGO |
| | | MERCEDES | T2-LN1 (BM667-668-669-670) 3-86→ |
| | | MERCEDES | VARIO 9-96→ |
| | | RENAULT | R.V.I (RENAULT TRUCKS) |
| P-606302 | 63,3 | FORD | CARGO |
| | | IVECO | EUROCARGO |
| | | MERCEDES | T2-LN1 (BM667-668-669-670) 3-86→ |
| | | MERCEDES | VARIO 9-96→ |
| P-606501 | 65,0 | IVECO | DAILY (IV SERIES) 06-06→09-11 |
| P-606502 | 65,0 | IVECO | DAILY (IV SERIES) 06-06→09-11 |
| | | IVECO | EUROCARGO |
| P-606503 | 65,0 | IVECO | EUROCARGO |
| P-606701 | 67,3 | MERCEDES | T2-LN1 (BM667-668-669-670) 3-86→ |
| | | MERCEDES | VARIO 9-96→ |
| P-634601 | 46,0 | HOLDEN | HX SERIES |



| | | | |
|-----------------|------|-----------------|-----------------|
| | | HOLDEN | HZ SERIES |
| P-634801 | 48,0 | LEXUS | RX |
| | | TOYOTA | AVENSIS |
| | | TOYOTA | PREVIA |
| P-634802 | 48,0 | TOYOTA | PREVIA |
| P-634901 | 49,0 | LEXUS | ES |
| | | TOYOTA | AURIS |
| | | TOYOTA | CAMRY |
| | | TOYOTA | RAV-4 |
| P-635301 | 53,0 | TOYOTA | KLUGER |
| | | TOYOTA | PREVIA |
| P-635901 | 59,5 | CHEVROLET | TRANS SPORT |
| | | OPEL | SINTRA |
| P-665201 | 52,0 | CHRYSLER | VOYAGER |
| | | JEEP | CHEROKEE |
| | | JEEP | GRAND CHEROKEE |
| | | JEEP | WRANGLER |
| | | KIA | CARNIVAL |
| P-665202 | 52,0 | CHRYSLER | VOYAGER |
| P-665301 | 54,0 | JEEP | CHEROKEE |
| P-665302 | 53,4 | CHRYSLER | VOYAGER |
| | | DODGE | JOURNEY |
| | | DODGE | NITRO |
| | | JEEP | CHEROKEE |
| | | JEEP | WRANGLER |
| P-665501 | 55,5 | MAZDA | TRIBUTE |
| P-674801 | 48,0 | TOYOTA | DYNA |
| | | TOYOTA | HIACE |
| P-684901 | 49,5 | NISSAN - DATSUN | CABSTAR - ATLAS |
| | | NISSAN - DATSUN | PATROL |
| P-686301 | 63,5 | FORD | CARGO |
| | | VOLVO TRUCKS | F SERIES |
| P-686302 | 63,5 | FORD | CARGO |
| | | VOLVO TRUCKS | F SERIES |
| P-686303 | 63,0 | IVECO | EUROCARGO |
| P-686305 | 63,0 | IVECO | EUROCARGO |
| P-686501 | 65,0 | IVECO | EUROCARGO |
| P-686502 | 65,0 | IVECO | EUROCARGO |

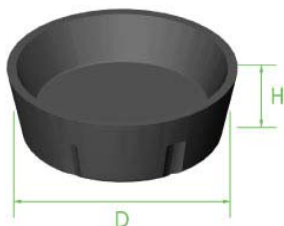
MANUFACTURAS WRACKYNSON

www.wrakynson.com

Page 685 of 822

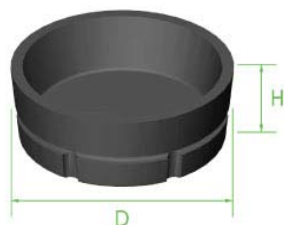
FIGURES

FIGURE 1



| Ref. | D | d | H |
|----------|-------|-------|------|
| 2516-R | 14,29 | | 7,1 |
| 1397 | 16 | | 5 |
| 552 | 17,85 | | 8 |
| 552.70 | 17,85 | | 8 |
| 556 | 19,45 | | 7,5 |
| 553 | 19,5 | | 7,4 |
| 560-A | 25,5 | | 7,5 |
| 560.70 | 25,57 | | 9,5 |
| 560 | 25,57 | | 9,5 |
| W-139 | 26,54 | 24,82 | 9,52 |
| 2521-R | 26,99 | | 10 |
| 562 | 28,3 | | 9 |
| 562.70 | 28,3 | | 9 |
| 1606-A | 28,57 | | 10,1 |
| W-79 | 28,75 | | 7,9 |
| 1606 | 28,85 | | 10 |
| W-94 | 29,03 | | 11,1 |
| 1605 | 32,25 | | 10,5 |
| 564-A.70 | 32,25 | | 11 |
| 564-A | 32,25 | | 11 |
| W-2 | 32,27 | | 11,1 |
| 1604-A | 38,1 | | 11 |
| 1604 | 38,3 | | 11 |

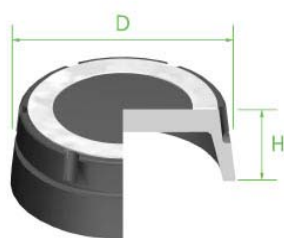
FIGURE 2



| Ref. | D | d | H |
|---------|-------|-----|-----|
| 8217 | 14 | 7,7 | 8 |
| 1395 | 15,55 | | 7,1 |
| 1395.70 | 15,55 | | 7,1 |
| W-64 | 15,95 | | 7,4 |
| 1600 | 19 | | 6 |
| 558.70 | 22,55 | | 8 |

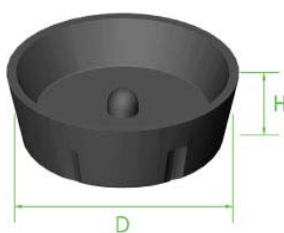
| | | |
|--------|-------|------|
| 558 | 22,55 | 8 |
| W-1 | 24,88 | 9,5 |
| W-1.70 | 24,88 | 9,5 |
| 561.70 | 27,7 | 9,5 |
| 561 | 27,7 | 9,5 |
| 564.70 | 31,85 | 9,5 |
| 564 | 31,85 | 9,5 |
| 566 | 34,92 | 9,5 |
| 568 | 38,15 | 10,5 |
| 568.70 | 38,15 | 10,5 |

FIGURE 3



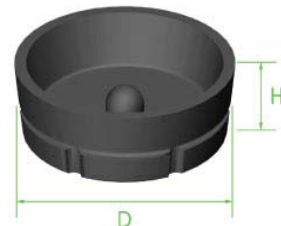
| Ref. | D | d | H |
|---------|-------|---|------|
| 560-AL | 25,57 | | 9,5 |
| W-140 | 26,25 | | 9,5 |
| 1606-AL | 28,57 | | 9,9 |
| W-141 | 33,5 | | 10 |
| 568-AL | 38,1 | | 10,5 |

FIGURE 4



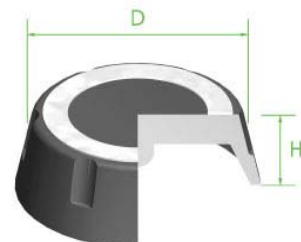
| Ref. | D | d | H |
|---------|-------|---|------|
| 557.70 | 20,65 | | 9 |
| 557 | 20,65 | | 9 |
| W-3 | 20,75 | | 7 |
| W-4 | 38,67 | | 11,1 |
| 1393.70 | 50,65 | | 10,8 |
| 1393 | 50,65 | | 10,8 |

FIGURE 5



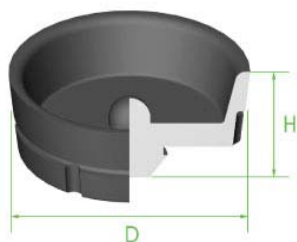
| Ref. | D | d | H |
|----------|-------|---|------|
| 1332 | 15,7 | | 5 |
| 551 | 15,75 | | 9,5 |
| 556-B.70 | 18,55 | | 8,9 |
| 556-B | 18,55 | | 8,9 |
| 556-A.70 | 19,35 | | 9 |
| 556-A | 19,35 | | 9 |
| 554 | 22,3 | | 8 |
| 554.70 | 22,3 | | 8 |
| 8079 | 22,5 | | 9,5 |
| 560-B | 24,83 | | 9,6 |
| 1372 | 25,5 | | 7 |
| W-142 | 39,8 | | 11 |
| 572 | 44,75 | | 10,5 |
| W-124 | 46,5 | | 11 |
| W-144 | 46,5 | | 11 |

FIGURE 6



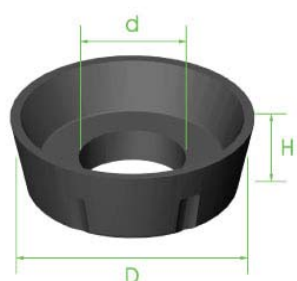
| Ref. | D | d | H |
|---------|-------|---|------|
| 558-AL | 22,8 | | 9,7 |
| W-174 | 23,2 | | 9,55 |
| 561-AL | 24,05 | | 9 |
| W-173 | 29,8 | | 9,9 |
| 1605-AL | 31,75 | | 10,7 |
| 1604-AL | 38,3 | | 11 |
| W-143 | 39,8 | | 11 |

FIGURE 7



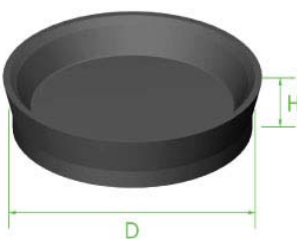
| Ref. | D | d | H |
|-------|-------|---|----|
| 553-A | 18,35 | | 11 |
| W-5 | 20,6 | | 11 |

FIGURE 8



| Ref. | D | d | H |
|-------|-------|-----|-----|
| W-6 | 19,28 | | 7,5 |
| 560-C | 25,7 | 8,5 | 9,2 |

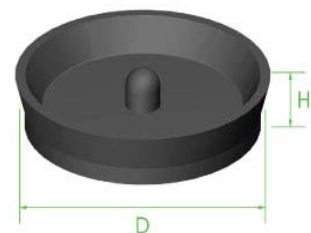
FIGURE 9



| Ref. | D | d | H |
|--------|-------|---|------|
| W-12 | 13,23 | | 6 |
| 1401 | 14,5 | | 6,65 |
| 2193 | 15 | 3 | 5,3 |
| 600 | 15,2 | | 6,35 |
| 600.70 | 15,2 | | 6,35 |
| 601 | 16,35 | | 5,7 |
| 602 | 17,88 | | 6 |
| 606 | 19,5 | | 6,5 |
| 603 | 19,6 | | 6,4 |
| 603.70 | 19,6 | | 6,5 |
| W-156 | 20,6 | | 7,2 |

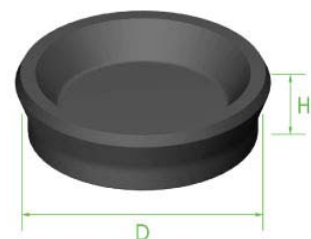
| | | | |
|--------|-------|--|------|
| 607 | 21,14 | | 6,9 |
| 2201 | 21,15 | | 6,8 |
| W-159 | 22,2 | | 7,2 |
| 604 | 22,5 | | 8 |
| 608 | 22,86 | | 6,9 |
| 608.70 | 22,86 | | 6,9 |
| W-150 | 23,88 | | 6,91 |
| 609 | 24,4 | | 7,25 |
| 609.70 | 24,4 | | 7,25 |
| W-76 | 25,2 | | 7,25 |
| 610 | 25,85 | | 7 |
| 610.70 | 25,85 | | 7 |
| 610-W | 25,9 | | 7,5 |
| W-13 | 25,9 | | 7,5 |
| W-151 | 26,92 | | 7,37 |
| 611 | 27,55 | | 7,5 |
| 611-W | 27,75 | | 8 |
| 1741 | 28,05 | | 7,8 |
| W-67 | 28,33 | | 7,7 |
| 612 | 29,48 | | 8 |
| 612.70 | 29,48 | | 8 |
| 2103 | 30,45 | | 8,6 |
| W-152 | 30,5 | | 8 |
| 1740 | 30,75 | | 8 |
| W-16 | 32,15 | | 7,2 |
| 614 | 32,25 | | 8 |
| 614.70 | 32,25 | | 8 |
| W-14 | 32,35 | | 8,5 |
| C-921 | 33,5 | | 7,3 |
| W-153 | 35,8 | | 8 |
| 616.70 | 35,8 | | 8,6 |
| 616 | 35,8 | | 8,6 |
| W-154 | 36,83 | | 8,69 |
| C-917 | 37,4 | | 7,4 |
| W-15 | 38,78 | | 9,15 |
| 618 | 39 | | 8,9 |
| 618.70 | 39 | | 8,9 |
| 1739 | 41,85 | | 10 |
| W-70 | 41,9 | | 9,9 |
| 622 | 44,85 | | 9,7 |
| 622.70 | 44,85 | | 9,7 |
| W-119 | 46,9 | | 10 |
| 626 | 51,55 | | 9 |
| 626.70 | 51,55 | | 9 |

FIGURE 10



| Ref. | D | d | H |
|--------|-------|---|-----|
| 550-C | 19 | | 6 |
| 1311 | 26,98 | | 5,1 |
| 2551-R | 34,92 | | 8 |
| 2550-R | 38,1 | | 8,5 |
| 2549-R | 44,45 | | 10 |

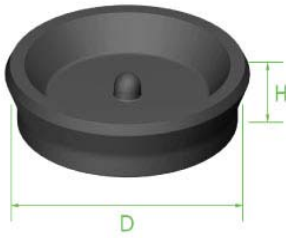
FIGURE 11



| Ref. | D | d | H |
|--------|-------|---|-----|
| 1496 | 17,8 | | 8,2 |
| 1420 | 17,85 | | 5,9 |
| 1414 | 19,43 | | 6,2 |
| 8050 | 20,64 | | 7 |
| 1413 | 21,13 | | 7,4 |
| 1474 | 28,57 | | 7,9 |
| 1473 | 32,3 | | 9 |
| 1793 | 33,33 | | 8,5 |
| 1727 | 33,65 | | 8,1 |
| 1703 | 33,9 | | 8 |
| 2501-R | 34,92 | | 8,2 |

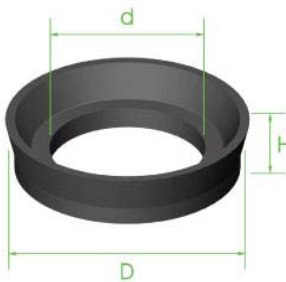
FIGURES

FIGURE 12



| Ref. | D | d | H |
|--------|-------|---|------|
| 2542-R | 14,29 | | 5,8 |
| 2519-R | 15,87 | | 6 |
| 1415 | 21,25 | | 6,5 |
| 550 | 22 | | 4,75 |
| 1416 | 23,08 | | 7 |
| 1730 | 24,65 | | 7,5 |
| 1323 | 25,3 | | 5 |
| 2202 | 26,68 | | 6,9 |
| 1448 | 37,5 | | 9 |
| 2505-R | 38,1 | | 8,3 |

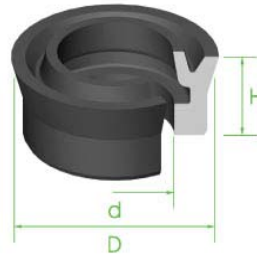
FIGURE 13



| Ref. | D | d | H |
|----------|-------|------|------|
| 2161 | 17,5 | 10 | 6 |
| 503 | 18,78 | 10,8 | 7 |
| 506 | 18,9 | 11 | 7 |
| 2131 | 21,75 | 13,5 | 5,3 |
| 8097 | 22,75 | 13,2 | 5 |
| 508.70 | 22,98 | 13,6 | 7,8 |
| 508 | 22,98 | 13,6 | 7,8 |
| 1668 | 24,25 | 13,7 | 5 |
| 510.70 | 24,45 | 14 | 7 |
| 510 | 24,45 | 14 | 7 |
| 524 | 25,25 | 14,4 | 5,2 |
| 524.70 | 25,25 | 14,4 | 5,2 |
| 680 | 25,4 | 14 | 7 |
| 510-E.70 | 25,4 | 16 | 7 |
| 510-E | 25,4 | 16 | 7 |
| W-29 | 25,65 | 14,3 | 7,13 |
| 511 | 26,5 | 16 | 7 |
| 512.70 | 28,57 | 17 | 7,5 |
| 512 | 28,75 | 17 | 7,5 |

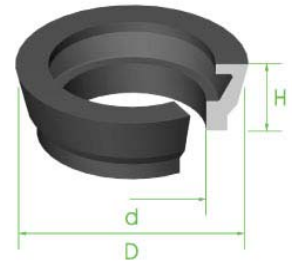
| | | | |
|--------|-------|-------|------|
| 514 | 31,6 | 20 | 7,5 |
| 514.70 | 31,6 | 20 | 7,5 |
| W-30 | 31,9 | 20,65 | 7,13 |
| 518 | 36,6 | 23,4 | 7,5 |
| 518.70 | 36,6 | 23,4 | 7,5 |
| W-31 | 38,22 | 25,4 | 7,92 |
| 522 | 43,85 | 30,5 | 8,5 |
| 522.70 | 43,85 | 30,5 | 8,5 |

FIGURE 14



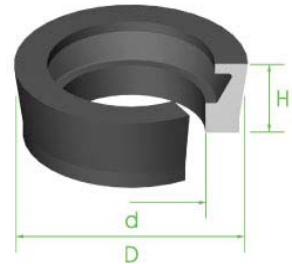
| Ref. | D | d | H |
|---------|-------|-------|------|
| 8216 | 14 | 7,7 | 8 |
| 1732 | 15,5 | 11,6 | 6,7 |
| 1237 | 15,78 | 9,9 | 6,55 |
| 2196 | 15,87 | 10 | 6,5 |
| 2167 | 17,6 | 11,5 | 8,4 |
| 1451 | 17,6 | 13,7 | 8 |
| 502 | 17,65 | 10,6 | 9,5 |
| 502-A | 18,9 | 11,2 | 9,7 |
| 2560-R | 19,05 | 13,5 | 10,5 |
| 1371 | 19,45 | 15,2 | 8,25 |
| 1450 | 20,43 | 14,3 | 7,7 |
| 2135 | 20,55 | 13 | 7,4 |
| 2552-R | 20,64 | 12,2 | 9,3 |
| 2188 | 20,64 | 13,2 | 8,6 |
| 1635 | 20,65 | 14,1 | 7,7 |
| 2137 | 20,8 | 16,1 | 11,5 |
| 1233 | 21,7 | 14 | 10 |
| 1632 | 21,8 | 17 | 7,7 |
| 1440 | 21,98 | 15,15 | 8,25 |
| 2545-R | 22,22 | 13,4 | 10,3 |
| 1351 | 23,38 | 19,6 | 10,3 |
| 2183 | 23,81 | 14,6 | 8,2 |
| 1388 | 24,95 | 20,2 | 10,8 |
| 1736 | 25,05 | 17,5 | 8,5 |
| 1373.70 | 25,4 | 20,4 | 8,6 |
| 1373 | 25,4 | 20,4 | 8,6 |
| 2514-R | 26,99 | 15,6 | 7,7 |
| 2532-R | 26,99 | 16 | 8,5 |
| 2581-R | 31,75 | 20 | 8,6 |
| 2198 | 31,75 | 20,7 | 8,4 |

FIGURE 15



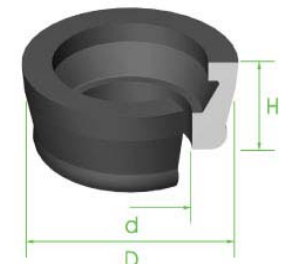
| Ref. | D | d | H |
|-------|-------|------|-----|
| 906 | 19,1 | 10,6 | 7 |
| 507 | 20,53 | 13,3 | 6,8 |
| 510-A | 25,3 | 17 | 8,1 |
| W-27 | 25,6 | 16,4 | 6,7 |
| 516 | 34,92 | 22 | 8,3 |
| 538 | 38,25 | 29,2 | 7 |

FIGURE 16



| Ref. | D | d | H |
|------|-------|------|-----|
| 501 | 15,43 | 9,75 | 5 |
| 2160 | 15,85 | 11,4 | 5,7 |
| 1746 | 19,6 | 13 | 4,2 |
| 2003 | 19,65 | 10,3 | 7,6 |
| 526 | 21,4 | 13,7 | 7 |
| 504 | 21,9 | 13,5 | 8 |
| 2158 | 37,15 | 28 | 6,7 |

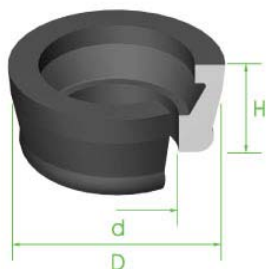
FIGURE 17



| Ref. | D | d | H |
|------|-------|------|------|
| W-28 | 25,35 | 14,7 | 8,25 |
| 579 | 27,2 | 14,6 | 10 |

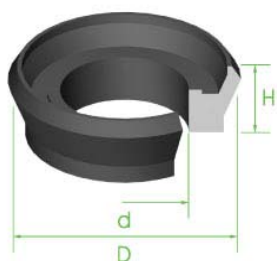
FIGURES

FIGURE 17 Cont.



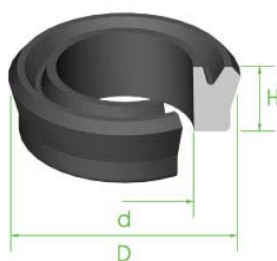
| Ref. | D | d | H |
|------|-------|------|-----|
| 1370 | 37,55 | 23,8 | 7,8 |

FIGURE 18



| Ref. | D | d | H |
|--------|-------|-------|------|
| 1376 | 18,85 | 11,3 | 6,5 |
| W-129 | 19,9 | 11,4 | 5 |
| 1389 | 22,6 | 14 | 6,2 |
| W-172 | 23,45 | 11,1 | 7,1 |
| 2541-R | 23,81 | 13,5 | 5,2 |
| 2536-R | 26,99 | 15,7 | 5,2 |
| C-907 | 27,6 | 13,85 | 8,4 |
| 2525-R | 28,57 | 17 | 5 |
| W-117 | 28,75 | 16,25 | 6,15 |
| W-125 | 45,49 | 42,06 | 6,85 |

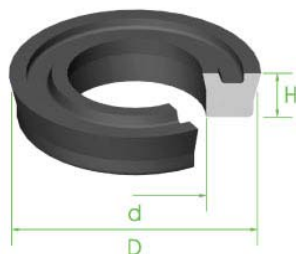
FIGURE 19



| Ref. | D | d | H |
|------|-------|------|------|
| W-80 | 9,85 | 5,5 | 3,5 |
| 1334 | 12,5 | 7,5 | 3,9 |
| 2000 | 15,15 | 7,75 | 4,95 |
| 1362 | 15,2 | 9,9 | 3,6 |

| | | | |
|---------|-------|------|------|
| 1340 | 15,35 | 8,25 | 5,2 |
| 1333 | 17,95 | 8,5 | 6,05 |
| 1394 | 18,25 | 11,5 | 6,1 |
| 1392 | 20,15 | 13,6 | 5,5 |
| 1300 | 21,4 | 14,6 | 5,8 |
| 1300.70 | 21,4 | 14,6 | 5,8 |
| 1353 | 22,95 | 16,2 | 5,8 |
| 2102 | 24,85 | 14,8 | 6,5 |
| 1779 | 25,4 | 16,8 | 6 |
| 2159 | 25,5 | 16 | 5,2 |
| 1724 | 25,5 | 18,5 | 5 |
| W-32 | 26,6 | 15,6 | 6,5 |
| 2547-R | 28,57 | 19,6 | 6 |
| W-60 | 29 | 20,6 | 7,5 |
| 1775 | 29,08 | 19,3 | 5,2 |
| 954 | 29,1 | 18 | 5,8 |
| 954.70 | 29,1 | 18 | 5,8 |
| 1637 | 29,1 | 19,5 | 5,8 |
| 1377 | 30,33 | 19,9 | 6,15 |
| 1377.70 | 30,33 | 19,9 | 6,15 |
| 1205 | 31,95 | 22 | 8,65 |
| 2502-R | 34,92 | 26 | 6,3 |
| 678.70 | 35,5 | 26,2 | 6,5 |
| 678 | 35,5 | 26,2 | 6,5 |
| 8071 | 41,2 | 28 | 8 |
| 8018 | 43,6 | 19,2 | 6,3 |
| 955 | 51 | 37 | 7 |

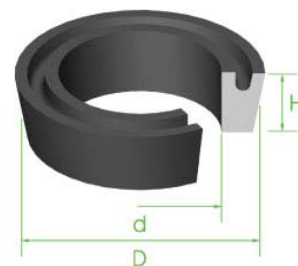
FIGURE 20



| Ref. | D | d | H |
|--------|-------|------|------|
| W-175 | 8,5 | 4 | 3 |
| 8017 | 15,5 | 8,25 | 4 |
| 2531-R | 15,87 | 9,8 | 5,6 |
| C-734 | 17,3 | 8,4 | 4,2 |
| C-896 | 18,7 | 12,2 | 4 |
| 1402 | 19 | 11,6 | 4,15 |
| W-38 | 19,25 | 11,4 | 4,5 |
| 1260 | 20,55 | 11,5 | 3,8 |
| C-866 | 20,6 | 14,5 | 4,8 |
| 1711 | 21,95 | 13,3 | 3,8 |
| W-89 | 22,25 | 15 | 4 |
| 1788 | 23,81 | 12,8 | 7,4 |
| W-83 | 25,3 | 15,2 | 3,85 |
| C-900 | 28,1 | 17,5 | 4,2 |
| 2192 | 31,75 | 20,3 | 5,4 |

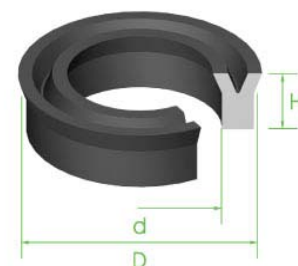
| | | | |
|--------|-------|-------|------|
| 8000 | 31,75 | 23 | 5 |
| 2524-R | 31,75 | 26 | 4,6 |
| W-59 | 33,65 | 14,6 | 9,5 |
| W-82 | 35,35 | 25 | 4 |
| 2190 | 38,1 | 26,2 | 5,4 |
| C-741 | 38,5 | 24,9 | 7,1 |
| C-828 | 40,5 | 25 | 8 |
| 1317 | 41,48 | 29,05 | 6 |
| C-875 | 41,5 | 25 | 8 |
| C-782 | 51,5 | 30,5 | 10,6 |
| W-91 | 55,4 | 44 | 6 |
| W-88 | 60,25 | 48 | 6 |
| W-90 | 65,25 | 45 | 10 |
| C-738 | 76,6 | 65,2 | 9,8 |

FIGURE 21



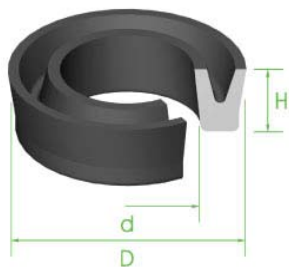
| Ref. | D | d | H |
|------|-------|------|------|
| 1459 | 18,05 | 12,1 | 6,4 |
| 682 | 18,85 | 12 | 5 |
| 1691 | 21,9 | 14,1 | 4,4 |
| 79 | 51,7 | 23 | 11,2 |

FIGURE 22



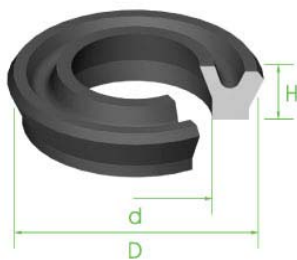
| Ref. | D | d | H |
|--------|-------|-------|------|
| 675 | 13,1 | 6,5 | 4,1 |
| 1232 | 22,23 | 13 | 3,65 |
| 667.70 | 25,75 | 17,15 | 4,75 |
| 667 | 25,75 | 17,15 | 4,75 |
| 2517-R | 28,57 | 18,6 | 4,8 |
| W-101 | 46,5 | 37,5 | 5 |

FIGURE 23



| Ref. | D | d | H |
|---------|-------|-------|------|
| 2140 | 16,35 | 8,75 | 3,1 |
| 8096 | 16,75 | 6,5 | 6,35 |
| W-92 | 18,5 | 12 | 4 |
| 2172 | 19,45 | 7,3 | 6,3 |
| 652 | 25,25 | 16 | 6,2 |
| 650 | 25,38 | 15,5 | 8,25 |
| 1201.70 | 25,55 | 17,4 | 7 |
| 1201 | 25,55 | 17,4 | 7 |
| 665 | 25,7 | 13 | 7 |
| W-22 | 25,8 | 11,35 | 8 |
| 689-B | 25,9 | 16,2 | 7 |
| 2139 | 26,15 | 6,6 | 7,5 |
| 2155 | 26,99 | 18 | 5 |
| C-880 | 29,3 | 19,4 | 5,5 |
| 2599-R | 30,7 | 23,8 | 4,2 |
| 1744 | 37,58 | 25,85 | 7 |
| 1492 | 38,4 | 26,8 | 8,4 |
| C-743 | 38,4 | 28,35 | 8 |
| 8072 | 41,2 | 28,5 | 8,5 |
| W-34.70 | 51,3 | 37,85 | 8,5 |
| W-34 | 51,3 | 37,85 | 8,5 |

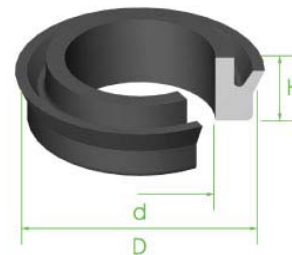
FIGURE 24



| Ref. | D | d | H |
|------|-------|-----|-----|
| 1329 | 12,55 | 7,3 | 4,1 |
| 1765 | 14,6 | 9,2 | 4,6 |
| 1405 | 15,63 | 9,7 | 5,8 |
| 8012 | 15,87 | 7,6 | 4,5 |
| 1354 | 15,98 | 8,5 | 4,7 |
| 1331 | 16 | 8,6 | 4 |
| 1429 | 16,25 | 7,6 | 5,6 |
| 1720 | 17,45 | 11 | 5,5 |

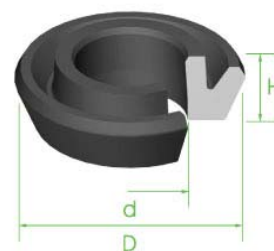
| | | | |
|---------|-------|-------|------|
| 1406 | 17,63 | 9,4 | 4,5 |
| W-23 | 17,85 | 8,1 | 4,5 |
| 1431 | 17,85 | 8,6 | 5,9 |
| 1408 | 17,85 | 9,35 | 4,8 |
| 1499 | 17,9 | 11,3 | 4,3 |
| 1412 | 19,03 | 11 | 4,1 |
| 1359 | 19,1 | 11,15 | 5 |
| 1464 | 19,25 | 12,3 | 4,5 |
| 1336 | 19,3 | 8,2 | 6,3 |
| 1410 | 19,38 | 10 | 6,5 |
| 682-C | 20,55 | 12,5 | 5,5 |
| 2592-R | 20,64 | 11,8 | 5,7 |
| 1453 | 20,75 | 12,1 | 4,5 |
| 1766 | 20,85 | 12,5 | 6,4 |
| 1217 | 21 | 10,6 | 6,75 |
| 1743 | 22,15 | 16,2 | 4,9 |
| 1342 | 22,28 | 13,9 | 5 |
| 1607 | 22,3 | 13,9 | 4,5 |
| 1756.70 | 22,4 | 11,9 | 7 |
| 1756 | 22,4 | 11,9 | 7 |
| 1409 | 22,4 | 14,42 | 4,5 |
| 1631 | 22,5 | 13,5 | 7 |
| 8001 | 22,5 | 15 | 5,2 |
| 1215 | 22,6 | 10,7 | 6,85 |
| 1352 | 23,63 | 14,2 | 6,2 |
| 1700 | 23,7 | 15,5 | 5,8 |
| 2107 | 23,75 | 15,3 | 7 |
| 682-B | 23,8 | 15,1 | 5,45 |
| 2182 | 23,81 | 15 | 5,3 |
| 1488 | 24,08 | 15 | 5,9 |
| 1435 | 24,65 | 12,75 | 7,6 |
| 1427 | 24,75 | 17,8 | 6,95 |
| 2203 | 25,65 | 13,55 | 7 |
| 1622 | 26,65 | 17,6 | 7,3 |
| 2594-R | 26,99 | 17,6 | 5,9 |
| 1434 | 27,25 | 14 | 8 |
| 1731 | 28,35 | 14,5 | 7 |
| 1433 | 28,95 | 15,6 | 8,5 |
| 1319 | 29,9 | 21,4 | 4,9 |
| 1466 | 31,65 | 16,5 | 9 |
| 1466.70 | 31,65 | 16,5 | 9 |
| C-836 | 34 | 8 | 79 |
| 8102 | 34,5 | 25,4 | 5,1 |
| 1469 | 34,85 | 17,4 | 8,7 |
| 1497 | 43,4 | 31,1 | 6,3 |
| 1207 | 44,35 | 33,55 | 9 |
| C-837 | 63 | 46,2 | 9,6 |

FIGURE 25



| Ref. | D | d | H |
|----------|-------|-------|------|
| 1348.70 | 10,78 | 6,3 | 4 |
| 1348 | 10,78 | 6,3 | 4 |
| 1349 | 11,8 | 7,3 | 4 |
| 2564-R | 12 | 7 | 2,9 |
| 670-U.70 | 14,75 | 8,25 | 4 |
| 670-U | 14,75 | 8,25 | 4 |
| 1439 | 15,45 | 8,9 | 5 |
| W-65 | 15,55 | 8,8 | 5,2 |
| W-37 | 16 | 9 | 4,5 |
| W-157 | 18,4 | 10,8 | 4,2 |
| 2513-R | 19,05 | 10,1 | 6,6 |
| C-931 | 19,75 | 14 | 2,85 |
| W-161 | 19,9 | 12,3 | 4,2 |
| 2512-R | 20,64 | 14 | 5,9 |
| 1787 | 23,81 | 13,7 | 5 |
| 2534-R | 23,81 | 15 | 7 |
| 2557-R | 23,81 | 17,5 | 6,2 |
| 1721-A | 24,1 | 16,9 | 5,6 |
| 1321 | 24,53 | 15,95 | 7,3 |
| 2537-R | 25,4 | 16,6 | 6,5 |
| 685 | 25,7 | 7,4 | 7 |
| 2528-R | 26,88 | 15,8 | 8,2 |
| C-834 | 29,3 | 19,8 | 5 |
| C-838 | 29,8 | 20,65 | 6 |
| 1603 | 31,3 | 19,7 | 6,9 |
| 1774 | 32 | 19,75 | 5,5 |
| 2503-R | 38,1 | 28 | 8,2 |
| 1426-E | 41,9 | 28,5 | 6,2 |
| 2543-R | 44,45 | 31 | 9 |

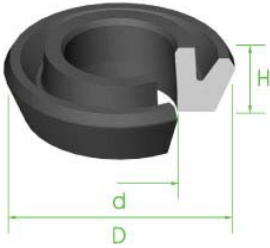
FIGURE 26



| Ref. | D | d | H |
|------|---|---|---|
|------|---|---|---|

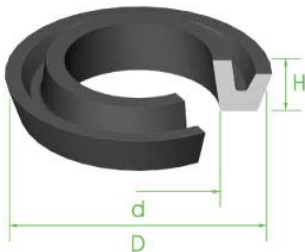
FIGURES

FIGURE 26 Cont.



| Ref. | D | d | H |
|--------|-------|------|-----|
| W-130 | 10,6 | 6,35 | 2,7 |
| 2591-R | 15,87 | 7,8 | 4,6 |
| 2185 | 17,46 | 9,4 | 6 |
| 1789 | 20,64 | 13 | 4,8 |
| 2142 | 21,85 | 13,4 | 5,3 |
| 8235 | 22,9 | 11,5 | 7 |
| W-127 | 23 | 11,5 | 5 |
| 912 | 25,3 | 16,2 | 3,6 |
| 8327 | 25,4 | 16,2 | 4,8 |
| 8328 | 25,4 | 18,6 | 5,5 |
| 2144 | 28,57 | 19 | 5 |
| 679-E | 44,55 | 31,4 | 6 |
| 2166 | 49,5 | 36,5 | 8 |
| 2165 | 63,2 | 48,5 | 8 |

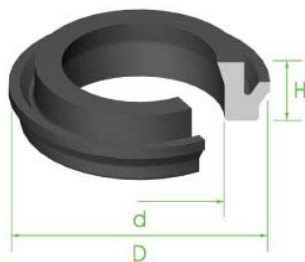
FIGURE 27



| Ref. | D | d | H |
|----------|-------|------|------|
| W-25 | 11,2 | 7,6 | 3 |
| 1636 | 15,9 | 9,2 | 6,5 |
| 655-A.70 | 17,25 | 9,5 | 5,25 |
| 655-A | 17,25 | 9,5 | 5,25 |
| 1248 | 17,46 | 9,5 | 5,25 |
| 2504-R | 17,46 | 10,7 | 5 |
| 655.70 | 17,85 | 9,7 | 5 |
| 655 | 17,85 | 9,7 | 5 |
| 576 | 19,3 | 8,5 | 4,85 |
| 576.70 | 19,3 | 8,5 | 4,85 |
| 656 | 19,3 | 11 | 5 |
| 656.70 | 19,3 | 11 | 5 |
| 2002 | 19,38 | 9 | 6 |
| 1687 | 20,3 | 13,1 | 4,5 |
| 1259 | 20,4 | 10 | 4,8 |

| | | | |
|---------|-------|-------|------|
| 559 | 20,8 | 12 | 5 |
| 8033 | 21,4 | 13,25 | 3 |
| W-166 | 21,6 | 11,7 | 5,3 |
| 1235.70 | 21,95 | 13,4 | 5 |
| 1235 | 21,95 | 13,4 | 5 |
| 2583-R | 22,2 | 12,9 | 4,6 |
| 643.70 | 22,25 | 14 | 5,3 |
| 643 | 22,25 | 14 | 5,3 |
| 2136 | 22,48 | 14 | 4 |
| 1754 | 22,7 | 16,2 | 5 |
| W-121 | 22,9 | 13 | 5 |
| 1350 | 23,45 | 12,6 | 5,2 |
| 1630 | 23,6 | 13,7 | 4,7 |
| 1663 | 23,7 | 15 | 4,5 |
| 8038 | 23,81 | 15 | 4,2 |
| 649 | 24,8 | 16,25 | 5,2 |
| 2101 | 25,2 | 15,2 | 4,7 |
| 2122 | 25,2 | 17 | 6,3 |
| 2123 | 25,3 | 16,4 | 4,5 |
| 8034 | 25,4 | 17 | 5,7 |
| 1667 | 25,85 | 15,9 | 4,8 |
| W-123 | 26 | 14,8 | 6 |
| 648.70 | 26 | 17,3 | 4,65 |
| 648 | 26 | 17,3 | 4,65 |
| W-122 | 26,25 | 15,8 | 5,2 |
| W-7 | 26,4 | 8,4 | 5,1 |
| 648-A | 26,5 | 17,3 | 5 |
| 1228.70 | 27 | 18 | 4,8 |
| 1228 | 27 | 18 | 4,8 |
| 1202 | 28,4 | 19,9 | 5,1 |
| 1202.70 | 28,4 | 19,9 | 5,1 |
| 2186 | 28,57 | 18,2 | 5,6 |
| 2191 | 38,1 | 23,2 | 9,6 |

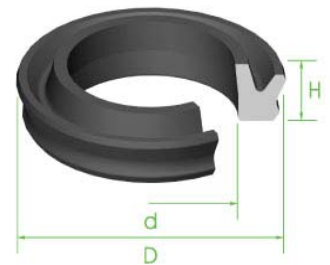
FIGURE 28



| Ref. | D | d | H |
|---------|-------|------|-----|
| 1710 | 14,55 | 9,5 | 3,7 |
| 1709 | 15,05 | 9,1 | 4,5 |
| 8011 | 17,46 | 10,5 | 4,7 |
| 1679 | 18,3 | 11,8 | 4,5 |
| 1647.70 | 18,35 | 11,1 | 5,8 |
| 1647 | 18,35 | 11,1 | 5,8 |
| 1704 | 18,5 | 11 | 4,7 |
| 1763 | 18,65 | 10,9 | 4,6 |
| 1717 | 19,83 | 13,3 | 4,5 |

| | | | |
|---------|-------|-------|------|
| 8302 | 20,6 | 13,5 | 4,6 |
| 1338 | 20,64 | 12,2 | 6 |
| 2181 | 20,64 | 12,8 | 5,5 |
| 1759 | 21,2 | 12,4 | 6 |
| 1725 | 21,25 | 13,2 | 4,7 |
| 1689 | 21,25 | 13,5 | 4,5 |
| 1706 | 22 | 13,4 | 6,6 |
| 1337 | 22,2 | 13,4 | 6 |
| 1314 | 22,7 | 14 | 6,5 |
| 2128 | 23,15 | 15,25 | 5,9 |
| 2128.70 | 23,15 | 15,25 | 5,9 |
| 1313 | 23,43 | 13,5 | 7,25 |
| 1407 | 24,05 | 14,6 | 6,3 |
| 1407.70 | 24,05 | 14,6 | 6,3 |
| 1436 | 24,3 | 15,8 | 5,95 |
| 1407-E | 24,45 | 14,6 | 6,55 |
| 1726 | 24,5 | 15,9 | 7,2 |
| 2568-R | 25,4 | 16,5 | 6,9 |
| 1324 | 27,1 | 18,4 | 6,8 |
| 2175 | 28,78 | 14,5 | 4,8 |
| 2127.70 | 31,55 | 19,85 | 6,6 |
| 2127 | 31,55 | 19,85 | 6,6 |
| 2579-R | 33,34 | 21 | 6,7 |

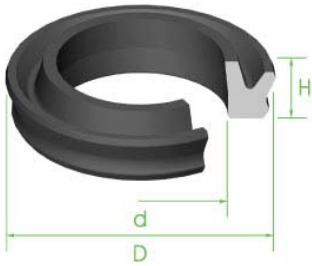
FIGURE 29



| Ref. | D | d | H |
|--------|-------|-------|------|
| W-138 | 8,5 | 4,7 | 2,8 |
| 1498 | 14,9 | 8,2 | 5,2 |
| 1625 | 15,85 | 8,4 | 5 |
| 8049 | 17,46 | 10,5 | 5 |
| 1698 | 18,03 | 11,05 | 5 |
| 2118 | 18,75 | 12,4 | 5,8 |
| 8014 | 19,05 | 12,4 | 4,8 |
| 2162 | 19,43 | 11,6 | 5 |
| 2593-R | 20,64 | 11,6 | 5,1 |
| 1364 | 21 | 14 | 5 |
| 1344 | 21,05 | 14,05 | 4,95 |
| 1656 | 22,78 | 13,9 | 5 |
| 1690 | 23,9 | 12,8 | 7,2 |
| 1241-A | 24,15 | 17,2 | 3,7 |
| 1487 | 24,25 | 13,8 | 4,8 |
| 1241 | 24,3 | 17,2 | 5 |
| 1490 | 24,5 | 17,35 | 5 |
| 1491 | 24,5 | 17,5 | 5 |
| 1692 | 25,8 | 17 | 6,8 |

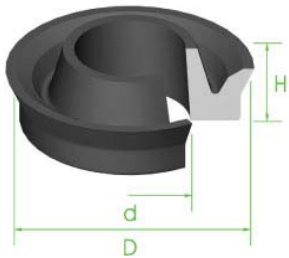
FIGURES

FIGURE 29 Cont.



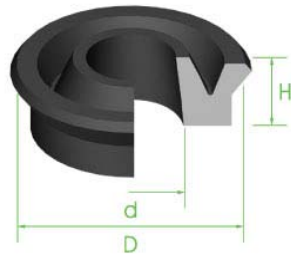
| Ref. | D | d | H |
|---------|-------|------|-----|
| 1641 | 25,95 | 15,3 | 4 |
| 1309 | 26 | 16,9 | 5,5 |
| 1365 | 26,03 | 16,9 | 5,7 |
| 1677 | 27,4 | 18,7 | 5,5 |
| 2117 | 29,18 | 19 | 5,5 |
| 2117.70 | 29,18 | 19 | 5,5 |
| 1696 | 31,03 | 21,6 | 6 |
| 2151 | 44,1 | 35,5 | 6,7 |

FIGURE 30



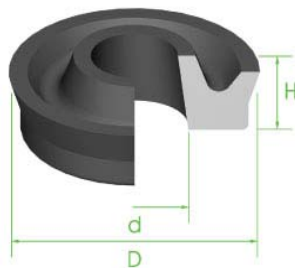
| Ref. | D | d | H |
|--------|-------|-------|------|
| 673 | 7,15 | 2,3 | 4,2 |
| 674.70 | 9,5 | 3,6 | 4 |
| 674 | 9,5 | 3,6 | 4 |
| C-723 | 17 | 8,5 | 6,5 |
| 1776 | 17,47 | 7 | 6,5 |
| 660-C | 19,53 | 8,85 | 7,3 |
| W-120 | 20,1 | 8,5 | 4,85 |
| 672-U | 23,7 | 7,75 | 8,3 |
| 1322 | 24,95 | 15,35 | 7,2 |
| 684 | 25,4 | 14,6 | 6,8 |
| 689-A | 25,4 | 15,5 | 8,2 |
| W-57 | 25,48 | 14,5 | 4,75 |
| W-33 | 29,75 | 19,5 | 6,5 |
| 1456 | 31,95 | 19,7 | 9 |
| C-767 | 32,5 | 12 | 9 |
| W-136 | 32,8 | 22,7 | 9 |
| 1467 | 33,75 | 19,7 | 9,5 |
| 2150 | 36,3 | 26,5 | 6,1 |
| 1764 | 38,25 | 23,7 | 10,2 |

FIGURE 31



| Ref. | D | d | H |
|----------|-------|------|------|
| 675-I | 13,45 | 4,45 | 4,1 |
| 675-I.70 | 13,45 | 4,45 | 4,1 |
| 2518-R | 15,87 | 10 | 3,8 |
| 1768 | 16,15 | 7,8 | 5,4 |
| 1243 | 16,5 | 7,6 | 5,6 |
| 1493 | 17,9 | 8 | 4,6 |
| 1470 | 20,15 | 11,3 | 5,5 |
| 1479 | 22,5 | 9,2 | 7,4 |
| 8326 | 26,99 | 17 | 4,7 |
| 1482 | 27,3 | 14,1 | 8,1 |
| 1455 | 36,6 | 22,3 | 8 |
| C-703 | 47,4 | 26,8 | 11,5 |
| C-914 | 48 | 37,8 | 6,3 |

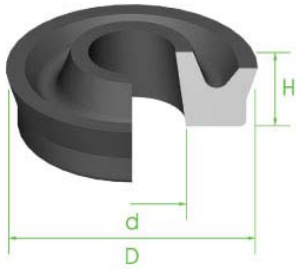
FIGURE 32



| Ref. | D | d | H |
|---------|-------|------|------|
| 675-A | 6,75 | 3,1 | 3 |
| C-844 | 13,5 | 6,65 | 3,85 |
| 1748 | 14,85 | 7,2 | 5,4 |
| 1236 | 15,58 | 9 | 6,8 |
| 658.70 | 15,62 | 7,9 | 6,6 |
| 658 | 15,62 | 7,9 | 6,6 |
| 1257 | 15,85 | 7,1 | 5 |
| 1463 | 15,85 | 9,8 | 5,8 |
| 1624 | 15,95 | 9,15 | 6,5 |
| W-132 | 16 | 9,75 | 4 |
| 8351 | 16 | 10 | 9,5 |
| 1422 | 16,23 | 9,8 | 4 |
| 1422.70 | 16,23 | 9,8 | 4 |
| 1694 | 17,1 | 8 | 4,95 |
| 2145 | 17,38 | 8,8 | 4 |
| 1240.70 | 17,38 | 8,8 | 5 |

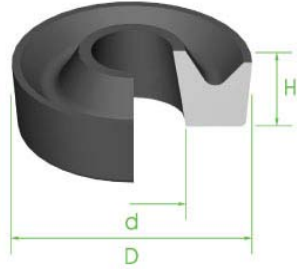
| | | | |
|----------|-------|-------|------|
| 1240 | 17,38 | 8,8 | 5 |
| 629 | 17,46 | 8,6 | 5 |
| 629.70 | 17,46 | 8,6 | 5 |
| 1734 | 17,46 | 9,1 | 6,1 |
| 2153 | 17,46 | 10,8 | 4,9 |
| 1310 | 17,8 | 7,25 | 4,9 |
| 1757 | 18,05 | 9,6 | 6,2 |
| 1728 | 18,1 | 9,8 | 5,5 |
| 1728.70 | 18,1 | 9,8 | 5,5 |
| 1718 | 18,1 | 14 | 2,7 |
| 8155 | 18,26 | 6,3 | 6,5 |
| 1749 | 18,7 | 10,5 | 5,7 |
| 663 | 18,9 | 10,9 | 4,8 |
| 2100 | 19 | 11 | 5,2 |
| 657 | 19,03 | 10,4 | 5 |
| 657.70 | 19,03 | 10,4 | 5 |
| 2565-R | 19,05 | 10 | 4 |
| 660.70 | 19,15 | 8,5 | 6,3 |
| 660 | 19,15 | 8,5 | 6,3 |
| 1699 | 19,2 | 10 | 4,5 |
| 1441 | 19,48 | 10,15 | 6,7 |
| 2111 | 19,85 | 13,55 | 4,8 |
| 642 | 20,3 | 12 | 5 |
| 661-A | 20,5 | 10 | 6,6 |
| 1471 | 20,5 | 10,4 | 4,7 |
| 1234 | 20,5 | 11,8 | 5 |
| 1234-A | 20,5 | 11,8 | 5,5 |
| 2133 | 20,65 | 13,6 | 3,9 |
| 661-B | 20,85 | 9,8 | 6,2 |
| 1226 | 22,08 | 13,35 | 5 |
| 671-U | 22,1 | 13,1 | 6 |
| 1231.70 | 22,2 | 11,65 | 4,85 |
| 1231 | 22,2 | 11,65 | 4,85 |
| 662 | 22,25 | 10,8 | 7 |
| 662.70 | 22,25 | 10,8 | 7 |
| 1733 | 22,3 | 12,1 | 5,2 |
| 1702 | 22,4 | 13 | 6,4 |
| 1674 | 22,4 | 14,2 | 5,4 |
| 674-I.70 | 22,5 | 11 | 5 |
| 674-I | 22,5 | 11 | 5 |
| 661 | 22,6 | 14 | 7 |
| 676-I | 22,8 | 8,1 | 7 |
| W-128 | 23 | 13,2 | 5 |
| 1244.70 | 23,6 | 14,8 | 4,9 |
| 1244 | 23,6 | 14,8 | 4,9 |
| 1245 | 23,65 | 15,2 | 5,2 |
| 1705 | 23,9 | 14,4 | 6,5 |
| 1705.70 | 23,9 | 14,4 | 6,5 |
| 1444.70 | 24,05 | 17,3 | 5,5 |
| 1444 | 24,05 | 17,3 | 5,5 |
| 1411 | 25,48 | 16,05 | 6,8 |
| 2113 | 25,5 | 15,9 | 5,7 |
| 664 | 25,55 | 12,5 | 6,6 |
| 664.70 | 25,55 | 12,5 | 6,6 |
| 2154 | 26,3 | 18,5 | 6,1 |
| 2152 | 26,6 | 18,2 | 4,8 |
| 677-I | 27,8 | 10,3 | 9,1 |

FIGURE 32 Cont.



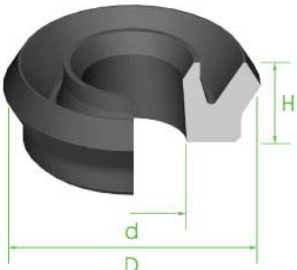
| Ref. | D | d | H |
|----------|-------|-------|------|
| 2506-R | 28,57 | 16,5 | 7,6 |
| 688.70 | 28,6 | 17,5 | 7,25 |
| 688 | 28,6 | 17,5 | 7,25 |
| 2114 | 28,65 | 18,95 | 5,5 |
| 2114.70 | 28,65 | 18,95 | 5,5 |
| 1204 | 28,8 | 20,5 | 7,6 |
| W-176 | 29,5 | 19,9 | 5 |
| 8353 | 30 | 2,2 | 5,4 |
| C-729 | 30,2 | 19 | 9,5 |
| 668-A | 31,45 | 20,2 | 6,7 |
| 668-A.70 | 31,45 | 20,2 | 6,7 |
| 8015 | 31,75 | 21,5 | 8,2 |
| 2156 | 31,75 | 22,2 | 5 |
| 2110 | 31,85 | 21,1 | 5,9 |
| 1214 | 31,9 | 21,8 | 9 |
| 654.70 | 32 | 18,8 | 9,5 |
| 654 | 32 | 18,8 | 9,5 |
| C-780 | 32,3 | 20,7 | 8,4 |
| 1751 | 34,8 | 25 | 5,5 |
| 669.70 | 34,85 | 23,2 | 6,5 |
| 669 | 34,85 | 23,2 | 6,5 |
| C-781 | 37 | 24,97 | 7,9 |
| 2597-R | 37 | 27 | 7,5 |
| 1206 | 37,55 | 28,4 | 8,4 |
| 669-A | 38,25 | 25 | 9,2 |
| 1423 | 38,25 | 30,5 | 5,3 |
| 1423.70 | 38,25 | 30,5 | 5,3 |
| 639 | 40,3 | 14 | 10,5 |
| 1437 | 41,05 | 30,1 | 6,7 |
| 1437.70 | 41,05 | 30,1 | 6,7 |
| 2533-R | 41,27 | 29,2 | 10,2 |
| 2146 | 43,1 | 32,5 | 9 |
| 628 | 43,6 | 32,5 | 9,6 |
| 1737 | 44,6 | 33,1 | 6,8 |

FIGURE 33



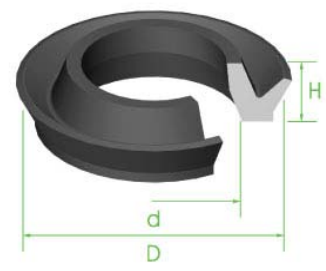
| Ref. | D | d | H |
|--------|-------|-------|------|
| 2548-R | 12,7 | 5,7 | 4 |
| C-856 | 13,2 | 9 | 2,1 |
| 1794 | 14,29 | 8,5 | 3,5 |
| 1798 | 15 | 8,5 | 4 |
| C-841 | 15,2 | 8,25 | 3,9 |
| C-840 | 17 | 10 | 3,1 |
| 659.70 | 17,5 | 8,6 | 6,6 |
| 659 | 17,5 | 8,6 | 6,6 |
| C-898 | 20,6 | 14,5 | 5,2 |
| 2556-R | 20,64 | 10 | 6,6 |
| 1797 | 20,64 | 13,8 | 5 |
| 670 | 21 | 9,5 | 6 |
| 1790 | 22,22 | 10 | 7,2 |
| W-162 | 24,3 | 12,5 | 6,85 |
| 2507-R | 26,88 | 16 | 7,5 |
| 1780 | 28,57 | 17,6 | 5,2 |
| 2500-R | 28,57 | 18,5 | 6 |
| W-95 | 29 | 18,25 | 8,5 |
| 2529-R | 30,16 | 16,8 | 9 |
| W-116 | 38,9 | 26,7 | 6,7 |
| 2535-R | 44,45 | 35 | 5 |

FIGURE 34



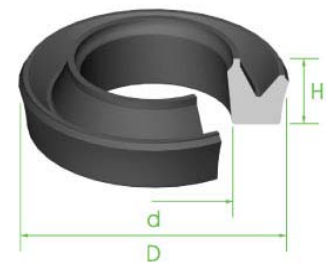
| Ref. | D | d | H |
|--------|-------|------|-----|
| 2530-R | 14,29 | 7 | 5,3 |
| 2526-R | 15,87 | 8,6 | 5,5 |
| 1380 | 20,83 | 7,1 | 7,5 |
| 1716 | 20,9 | 7,8 | 7 |
| 1483 | 21 | 7,9 | 7 |
| 8007 | 23,81 | 11,5 | 7,6 |

FIGURE 35



| Ref. | D | d | H |
|--------|-------|-------|-----|
| 1791 | 20,64 | 12,2 | 4,6 |
| 1381 | 20,75 | 12,95 | 5,1 |
| 2566-R | 22,2 | 10,5 | 7 |
| 1786 | 22,2 | 13,5 | 5 |
| C-848 | 24,4 | 7,8 | 7,5 |
| 1770 | 25 | 16,5 | 3,3 |
| 4000/6 | 50,9 | 39,15 | 8,5 |

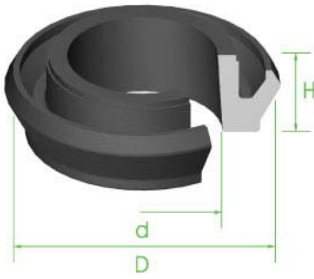
FIGURE 36



| Ref. | D | d | H |
|-------|-------|------|------|
| W-20 | 16,25 | 10,1 | 5,8 |
| 1761 | 17,25 | 10 | 5 |
| 1481 | 17,35 | 8,8 | 5 |
| 1484 | 19,05 | 9,3 | 7,3 |
| 1795 | 20,64 | 13,5 | 6 |
| C-839 | 22,1 | 12,9 | 5 |
| 2108 | 23,55 | 14 | 6,3 |
| 1494 | 23,88 | 14,2 | 6,4 |
| 1485 | 25,55 | 17,1 | 6,2 |
| 1621 | 26,85 | 17 | 6,4 |
| 1792 | 28,57 | 15,8 | 7 |
| 1747 | 32,2 | 17,6 | 10 |
| 1475 | 36,55 | 22,3 | 8 |
| 1465 | 38,83 | 24,5 | 10,2 |
| 1777 | 43,65 | 28,8 | 11,3 |

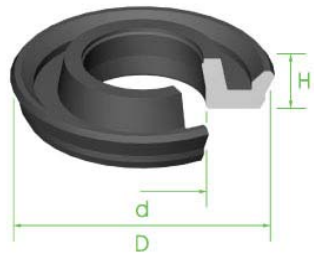
FIGURES

FIGURE 37



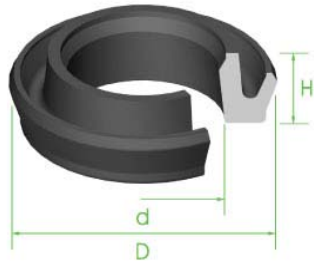
| Ref. | D | d | H |
|--------|-------|------|-----|
| 1615 | 15,6 | 8,2 | 4,5 |
| 2119 | 15,6 | 8,6 | 4,6 |
| 1778 | 15,87 | 9 | 6,4 |
| 2562-R | 15,87 | 11,5 | 4 |
| 8044 | 15,9 | 10 | 4,8 |
| 1421 | 17,9 | 6 | 6,8 |
| 2120 | 18,45 | 11,9 | 6,5 |
| 2510-R | 19,05 | 9,8 | 6 |
| 1633 | 21,9 | 14 | 7 |
| 1669 | 23,1 | 12,5 | 7,4 |
| 1345 | 26,2 | 17 | 5,6 |
| 2163 | 28,57 | 19,6 | 7,1 |
| 592.70 | 38,05 | 26,8 | 6,7 |
| 592 | 38,05 | 26,8 | 6,7 |

FIGURE 38



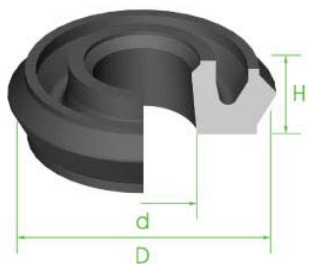
| Ref. | D | d | H |
|---------|-------|-------|------|
| 1256.70 | 18,93 | 9,3 | 3,9 |
| 1256 | 18,93 | 9,3 | 3,9 |
| 1247 | 19,4 | 11,3 | 3,8 |
| 1304 | 22,03 | 12,45 | 3,9 |
| 1304.70 | 22,03 | 12,45 | 3,9 |
| 1367.70 | 22,2 | 13,8 | 3,8 |
| 1367 | 22,2 | 13,8 | 3,8 |
| 1684 | 23,8 | 14,2 | 4 |
| 1684.70 | 23,8 | 14,2 | 4 |
| 1640 | 24,05 | 13,65 | 3,75 |
| 1664 | 25,35 | 16,6 | 5,5 |
| 1664.70 | 25,35 | 16,6 | 5,5 |
| W-146 | 29,6 | 11,3 | 5,1 |

FIGURE 39



| Ref. | D | d | H |
|--------|-------|------|------|
| 8006 | 9,6 | 6,1 | 2,8 |
| W-98 | 10 | 5,5 | 3,3 |
| 1713 | 12,9 | 8,3 | 3,6 |
| 1616 | 14,75 | 10 | 4,1 |
| 1355 | 15,08 | 10,3 | 3,65 |
| 1618 | 15,33 | 8,4 | 6,5 |
| 1719 | 17,55 | 7,7 | 6 |
| 1356 | 18,18 | 13,5 | 3,8 |
| 1665 | 18,5 | 9,6 | 7,3 |
| 1672 | 19,75 | 12,7 | 6 |
| 1614 | 20,3 | 12,9 | 7 |
| 1671 | 20,35 | 12,8 | 6 |
| 1758 | 20,45 | 10 | 7,8 |
| 1303 | 20,55 | 11 | 4 |
| 1379 | 20,6 | 13 | 6,5 |
| 1715 | 20,9 | 7,8 | 7 |
| 1712 | 20,9 | 14,3 | 4,1 |
| 1620 | 21,78 | 13,7 | 8 |
| 1638 | 22,6 | 13,7 | 5,9 |
| 1695 | 23,05 | 13,1 | 7,5 |
| 1742 | 25,2 | 16,8 | 6,4 |
| 8047 | 25,4 | 16 | 4,8 |
| 1495 | 28,13 | 17,1 | 7,9 |
| 2511-R | 31,75 | 18 | 9 |
| 8172 | 38,5 | 18,1 | 11 |
| 8167 | 39 | 21,8 | 10,5 |
| 1767 | 41,6 | 23,6 | 9,8 |
| 8211 | 48 | 30 | 10,5 |

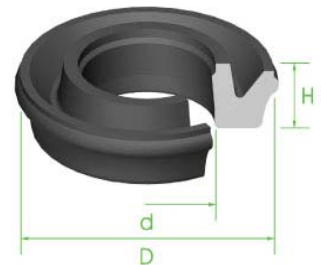
FIGURE 40



| Ref. | D | d | H |
|------|-------|----|------|
| 1489 | 15,18 | 10 | 3,85 |

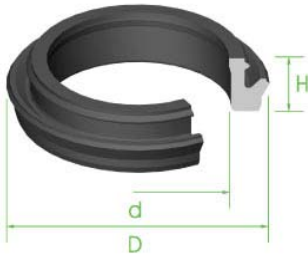
| | | | |
|--------|-------|------|-----|
| 1361 | 15,4 | 6,1 | 6,4 |
| 2590-R | 18 | 8,75 | 6,5 |
| 1659 | 18,35 | 12,8 | 3,8 |
| 1611 | 18,95 | 11,5 | 5,8 |
| 2554-R | 19,05 | 8,2 | 7 |
| 2569-R | 19,05 | 8,8 | 6,4 |
| 2509-R | 19,05 | 9,7 | 6,9 |
| 2561-R | 19,05 | 11,5 | 6,8 |
| 1419 | 19,15 | 8,8 | 6,8 |
| 1613 | 20,4 | 10,2 | 7,4 |
| 1418 | 20,63 | 9,7 | 7,4 |
| 2523-R | 20,64 | 8 | 7 |
| 2508-R | 20,64 | 8 | 7 |
| 8229 | 20,8 | 10 | 7 |
| 1387 | 22,45 | 10,4 | 7,6 |
| 1430 | 22,58 | 10,9 | 7,4 |
| 1417 | 22,6 | 9,8 | 7,5 |
| 1796 | 23,81 | 10 | 8 |
| 1458 | 23,95 | 9,75 | 7,8 |
| 1799 | 25,4 | 14 | 8 |
| 1729 | 25,9 | 12 | 8,7 |
| 2515-R | 28,57 | 13,6 | 7,2 |
| 2520-R | 28,57 | 15 | 7 |
| 2522-R | 28,57 | 20 | 7 |
| 1438 | 28,75 | 13,3 | 9 |
| 1753 | 32,2 | 18,1 | 8,9 |
| C-908 | 204 | 187 | 8 |

FIGURE 41



| Ref. | D | d | H |
|---------|-------|------|------|
| 1626 | 15,6 | 10,3 | 4,6 |
| 1784 | 20,64 | 10,7 | 6,5 |
| 1452 | 21,9 | 14 | 4,9 |
| 1452.70 | 21,9 | 14 | 4,9 |
| 1449 | 22,15 | 11,4 | 10,3 |
| 1428 | 22,65 | 11,7 | 7,05 |
| 1454 | 22,85 | 11,7 | 7 |
| 1760 | 23,81 | 14,5 | 5 |
| 1480 | 25,55 | 13,5 | 8,1 |
| 1457 | 25,78 | 13,5 | 8 |
| 1750 | 28,7 | 15,4 | 8,5 |
| 1755 | 28,95 | 15,6 | 7 |
| 1468 | 30,25 | 16,8 | 9,2 |

FIGURE 42



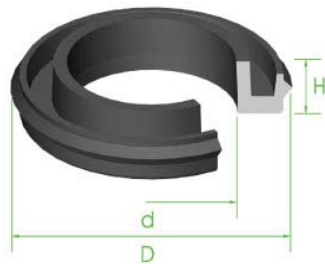
| Ref. | D | d | H |
|----------|-------|-------|------|
| 1213 | 14,2 | 8,6 | 4,3 |
| 1208 | 15,9 | 9,1 | 5,8 |
| W-21 | 16,5 | 9 | 6 |
| 1216 | 17,33 | 10,8 | 4,15 |
| 2115 | 17,45 | 10,1 | 5,7 |
| 640-B | 17,8 | 11,05 | 5,75 |
| 1612 | 18,65 | 12,2 | 7 |
| 2116 | 19,13 | 11 | 5,9 |
| 640-A.70 | 19,15 | 12,45 | 5,65 |
| 640-A | 19,15 | 12,45 | 5,65 |
| 1752 | 19,25 | 11,1 | 4 |
| 1230 | 20,6 | 12 | 4,4 |
| 2577-R | 20,64 | 13,6 | 4,7 |
| 633 | 20,65 | 13,6 | 5,7 |
| W-163 | 20,75 | 9 | 6 |
| 1643 | 21,95 | 13,5 | 6,7 |
| 645 | 22,15 | 14 | 7 |
| 1341 | 22,25 | 13,8 | 6,1 |
| 1722 | 22,25 | 15,5 | 5,7 |
| 637 | 22,35 | 15,6 | 5,5 |
| 637.70 | 22,35 | 15,6 | 5,5 |
| 2109 | 22,6 | 15,5 | 3,9 |
| 1721 | 23,8 | 16,9 | 5,3 |
| 1212 | 24,43 | 16,1 | 6,8 |
| 1212.70 | 24,43 | 16,1 | 6,8 |
| 1723 | 25,35 | 18,5 | 5,5 |
| 636.70 | 25,35 | 18,5 | 6 |
| 636 | 25,35 | 18,5 | 6 |
| 1227 | 26,98 | 20,2 | 5,8 |
| 2573-R | 26,99 | 16,3 | 5,6 |
| 1203.70 | 28,45 | 21,7 | 5,8 |
| 1203 | 28,45 | 21,7 | 5,8 |
| 8179 | 30,16 | 20,5 | 5,6 |
| 666 | 31,75 | 16,2 | 6,8 |
| 666.70 | 31,75 | 16,2 | 6,8 |

FIGURE 43



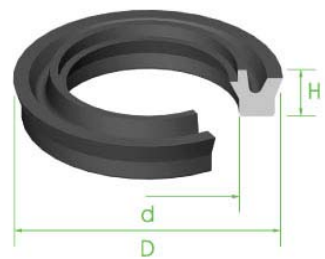
| Ref. | D | d | H |
|------|-------|-------|-----|
| 1209 | 15,25 | 9,8 | 3,5 |
| 1210 | 17,6 | 11,15 | 4 |
| 1211 | 20,63 | 12,7 | 4 |
| 1442 | 21,95 | 14 | 7,9 |
| 1374 | 25,15 | 16,8 | 6,7 |
| 1312 | 37,73 | 25,7 | 9,6 |
| 1432 | 38 | 26,85 | 6,7 |

FIGURE 44



| Ref. | D | d | H |
|--------|-------|------|-----|
| 2575-R | 22,2 | 14,1 | 5,3 |
| 1645 | 23,88 | 15,2 | 4,9 |
| 2189 | 28,57 | 15,5 | 8,7 |

FIGURE 45



| Ref. | D | d | H |
|--------|-------|-------|------|
| 1306 | 18,65 | 12,3 | 4 |
| 2121 | 20,33 | 13,5 | 6,6 |
| 1223 | 20,7 | 13,55 | 3,85 |
| 2586-R | 22,2 | 15,2 | 4,8 |
| 1357 | 25,08 | 17,05 | 6,6 |

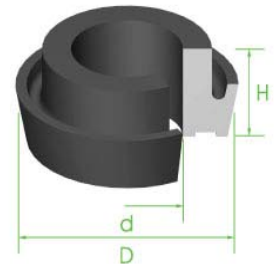
| | | | |
|--------|-------|------|-----|
| 2169 | 25,19 | 14,5 | 3,8 |
| 1445 | 25,6 | 16,5 | 4,7 |
| 2574-R | 30 | 19 | 5,5 |
| 8231 | 33 | 24,5 | 4,5 |
| 8232 | 33,3 | 27,5 | 4,2 |

FIGURE 46



| Ref. | D | d | H |
|------|-------|------|-----|
| 1655 | 22,3 | 15,4 | 3,3 |
| 1685 | 22,35 | 15,4 | 3,3 |
| 1258 | 27,58 | 17,8 | 3,7 |
| 8234 | 31 | 25,8 | 4,7 |

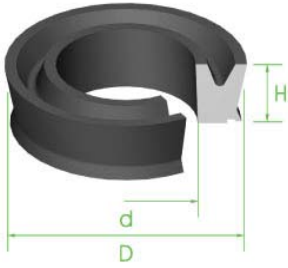
FIGURE 47



| Ref. | D | d | H |
|---------|-------|-------|------|
| W-36 | 13,85 | 8,8 | 4 |
| 529 | 18,6 | 10,5 | 8,2 |
| 2164 | 19,05 | 9,6 | 4,2 |
| 1783 | 20,64 | 13,7 | 6 |
| 1782 | 22,2 | 14 | 5,2 |
| 1785 | 22,22 | 11,7 | 7,2 |
| W-62 | 24,2 | 15,5 | 8,4 |
| 532 | 24,6 | 15,5 | 8,5 |
| 530 | 25 | 15,8 | 8,5 |
| 533.70 | 27,08 | 17 | 8,5 |
| 533 | 27,08 | 17 | 8,5 |
| 632 | 28,55 | 13,75 | 11,8 |
| 635 | 33,6 | 13,75 | 10,5 |
| W-24.70 | 37,2 | 28 | 8,4 |
| W-24 | 37,2 | 28 | 8,4 |
| W-40 | 37,3 | 24,6 | 7,8 |
| 1781 | 38,1 | 26,4 | 10 |
| 1476 | 47,65 | 37,9 | 6,85 |

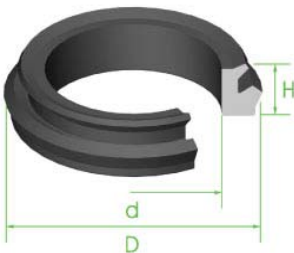
FIGURES

FIGURE 48



| Ref. | D | d | H |
|----------------|-------|------|-----|
| 2544-R | 22,22 | 13 | 7,5 |
| 1602 | 22,6 | 12,9 | 7,1 |
| 2559-R | 25,4 | 17 | 6,8 |
| 1666 | 25,8 | 14,2 | 5,1 |
| 651 | 26,4 | 15,3 | 6 |
| 1678 | 27,3 | 18,8 | 5,3 |
| 653 | 32,45 | 23 | 6 |
| 653.70 | 32,45 | 23 | 6 |
| W-171 | 33 | 22 | 6 |
| 1771 | 34,6 | 20,4 | 6,8 |
| W-39.70 | 38,75 | 25,5 | 7,6 |
| W-39 | 38,75 | 25,5 | 7,6 |
| 523-I | 39 | 25,7 | 7,7 |
| 528.70 | 39,25 | 25,8 | 7,5 |
| 528 | 39,25 | 25,8 | 7,5 |

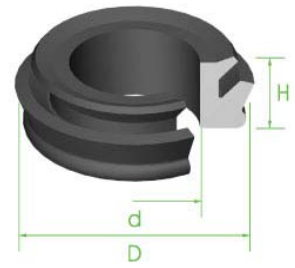
FIGURE 49



| Ref. | D | d | H |
|----------------|-------|------|-----|
| C-683-A | 13,3 | 8 | 4 |
| 1447 | 14,15 | 7,6 | 6,2 |
| W-137 | 15,7 | 6,9 | 6,1 |
| 1369.70 | 15,95 | 8,7 | 6 |
| 1369 | 15,95 | 8,7 | 6 |
| 1335 | 16,2 | 10,4 | 4,8 |
| 641 | 17,28 | 9 | 6,6 |
| 641.70 | 17,28 | 9 | 6,6 |
| 1239 | 17,28 | 10,1 | 6,1 |
| 1239.70 | 17,28 | 10,1 | 6,1 |
| 1221.70 | 17,9 | 10,8 | 6,6 |
| 1221 | 17,9 | 10,8 | 6,6 |
| 640.70 | 19,05 | 10,4 | 6,6 |
| 640 | 19,05 | 10,4 | 6,6 |

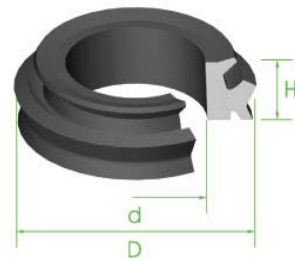
| | | | |
|-----------------|-------|-------|------|
| W-158 | 20,1 | 10,9 | 6,5 |
| 639-A.70 | 20,6 | 12 | 6,5 |
| 639-A | 20,6 | 12 | 6,5 |
| 641-A.70 | 22,23 | 13,75 | 6,75 |
| 641-A | 22,23 | 13,75 | 6,75 |
| 1220.70 | 22,55 | 13,8 | 6,6 |
| 1220 | 22,55 | 13,8 | 6,6 |
| 1255.70 | 24 | 15,45 | 6,8 |
| 1255 | 24 | 15,45 | 6,8 |
| 1378.70 | 24,1 | 15,2 | 7,6 |
| 1378 | 24,1 | 15,2 | 7,6 |
| W-155 | 24,9 | 15 | 7 |
| 646-A | 25 | 16 | 7,5 |
| 646-A.70 | 25 | 16 | 7,5 |
| 580-B | 25,2 | 16,25 | 7,7 |
| 646-B.70 | 25,35 | 16,3 | 6,9 |
| 646-B | 25,35 | 16,3 | 6,9 |
| 646.70 | 25,85 | 16,5 | 7,6 |
| 646 | 25,85 | 16,5 | 7,6 |
| C-891 | 26,4 | 16,25 | 7,7 |
| 2580-R | 26,99 | 16,5 | 7,8 |
| 647 | 27,3 | 17,5 | 7 |
| 647.70 | 27,3 | 17,5 | 7 |
| 1222.70 | 28,25 | 19 | 7,4 |
| 1222 | 28,25 | 19 | 7,4 |
| 2589-R | 28,57 | 18,2 | 10,2 |
| W-160 | 29,2 | 17,8 | 9,4 |
| W-164 | 29,7 | 19 | 9 |
| C-881 | 29,8 | 18,5 | 9,3 |
| C-587 | 29,8 | 19,4 | 7,9 |
| C-587.70 | 29,8 | 19,4 | 7,9 |
| 1318 | 30,05 | 20,65 | 7,1 |
| 1325 | 31,7 | 21,1 | 8,1 |
| 1325.70 | 31,7 | 21,1 | 8,1 |
| 2595-R | 31,75 | 20,6 | 9,3 |
| C-712 | 32,7 | 20 | 10,4 |
| 1735 | 34,55 | 24 | 9,4 |
| 1460 | 37,75 | 26 | 10,5 |
| 1460.70 | 37,75 | 26 | 10,5 |
| 1424 | 37,93 | 27,3 | 8,7 |
| 1424.70 | 37,93 | 27,3 | 8,7 |
| 1315 | 41,08 | 29,8 | 10,7 |
| 1315.70 | 41,08 | 29,8 | 10,7 |
| 1426 | 41,9 | 28,5 | 10,4 |
| W-131 | 43,3 | 28,6 | 10 |
| 1461 | 44,25 | 30,3 | 11,5 |
| 679 | 44,55 | 31,4 | 10,2 |
| 679.70 | 44,55 | 31,4 | 10,2 |
| C-814 | 47 | 32 | 10,3 |
| 8013 | 47,2 | 32 | 10 |
| 1425 | 51,3 | 37,3 | 10,7 |
| 1425.70 | 51,3 | 37,3 | 10,7 |

FIGURE 50



| Ref. | D | d | H |
|--------------|-------|------|-----|
| 8008 | 19,05 | 11,8 | 6,2 |
| 634 | 27,55 | 15,5 | 8 |
| 634-A | 28,57 | 17,2 | 8 |
| 8091 | 28,6 | 17,2 | 8 |

FIGURE 51



| Ref. | D | d | H |
|-----------------|-------|------|------|
| 641-D | 19,45 | 10,6 | 6,3 |
| 639-B | 20,9 | 11,8 | 6,3 |
| 641-B | 22,45 | 13,4 | 6,4 |
| 641-B.70 | 22,45 | 13,4 | 6,4 |
| 1320 | 24,25 | 15,3 | 6,8 |
| 8349 | 30,2 | 20,3 | 5,75 |
| 8352 | 32,2 | 22,2 | 6 |

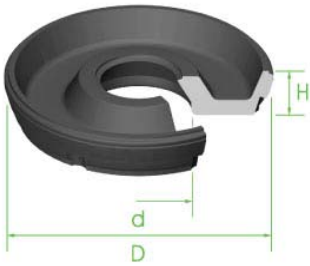
FIGURE 52



| Ref. | D | d | H |
|-------------|-------|------|------|
| 1305 | 18,4 | 7,6 | 3,6 |
| 1224 | 20,75 | 8,65 | 3,65 |
| 1654 | 22,1 | 7,05 | 4 |
| 1609 | 25,25 | 10 | 4,7 |

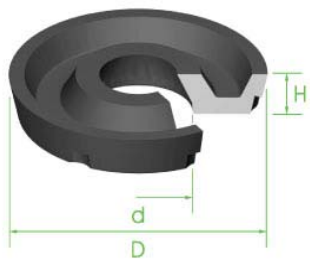
FIGURES

FIGURE 52 Cont.



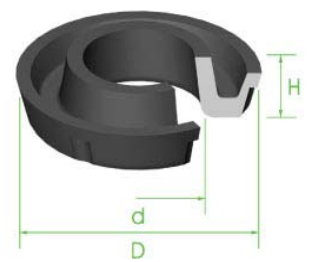
| Ref. | D | d | H |
|-------------|-------|------|------|
| W-56 | 25,38 | 10,6 | 4,85 |

FIGURE 53



| Ref. | D | d | H |
|----------------|-------|-------|-----|
| 1399 | 18,95 | 7,8 | 4,5 |
| 1308 | 24,9 | 10,8 | 5 |
| 8348 | 30,5 | 18,8 | 4,8 |
| 8016 | 30,7 | 13,6 | 5,7 |
| 1347.70 | 31,7 | 11,7 | 5,5 |
| 1347 | 31,7 | 11,7 | 5,5 |
| 8019 | 33,6 | 15,75 | 8,2 |

FIGURE 54

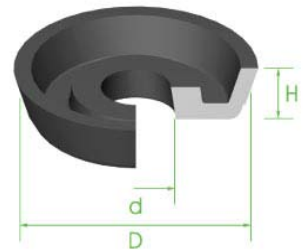


| Ref. | D | d | H |
|-------------|-------|------|-----|
| 1328 | 13,1 | 5,6 | 3,5 |
| 1617 | 15,8 | 8,3 | 4,1 |
| 1330 | 15,83 | 7,85 | 3,6 |
| 1675 | 15,85 | 6,7 | 5,5 |
| 2176 | 17,18 | 8,8 | 4,5 |
| 2180 | 17,46 | 8 | 4 |
| 2194 | 17,46 | 8,3 | 5 |

| | | | |
|----------------|-------|-------|------|
| 2179 | 17,46 | 8,8 | 4,5 |
| 1390 | 17,6 | 8 | 5,5 |
| 1398 | 18,9 | 10,5 | 4,7 |
| 2126 | 18,9 | 11,5 | 4 |
| 1697 | 18,95 | 7,5 | 4,6 |
| 2558-R | 19,05 | 8 | 4,6 |
| 1360 | 19,05 | 9,2 | 4,65 |
| 550-B | 19,05 | 11,4 | 5 |
| 2124 | 19,15 | 7,7 | 4,5 |
| 1610 | 19,3 | 10,1 | 5,3 |
| W-165 | 20,2 | 8,5 | 4,85 |
| 1670 | 20,38 | 10,4 | 5 |
| 1391 | 20,4 | 10 | 4,5 |
| 1363 | 20,55 | 8,75 | 5,1 |
| 2555-R | 20,64 | 9,4 | 5 |
| 2197 | 20,64 | 11 | 5 |
| 2563-R | 20,64 | 11 | 5 |
| 8040 | 20,64 | 13 | 4,2 |
| 1382 | 21,15 | 12 | 4,5 |
| 1608 | 21,75 | 11,8 | 4,6 |
| 550-A | 21,93 | 13,9 | 5 |
| 1346 | 22,2 | 9,2 | 4,5 |
| 1673 | 22,2 | 9,8 | 5 |
| 1343 | 22,2 | 12,8 | 4,5 |
| 2540-R | 22,22 | 10 | 5 |
| 1443 | 22,25 | 11 | 5,6 |
| 1619 | 22,25 | 11,2 | 4 |
| 1649 | 22,45 | 13,05 | 5,2 |
| 1650 | 23,65 | 12,7 | 5 |
| 1660 | 23,65 | 13 | 4 |
| 1661 | 23,65 | 15 | 4,3 |
| 2199 | 23,81 | 11,2 | 5 |
| 8037 | 23,81 | 15 | 4,1 |
| 2170 | 23,85 | 13,3 | 5,2 |
| 1629 | 24,1 | 14,85 | 4,8 |
| 1242 | 24,2 | 10,2 | 5 |
| 2168 | 24,25 | 14 | 4,5 |
| 2112 | 24,35 | 14 | 7 |
| 1358.70 | 25,33 | 16,5 | 5,1 |
| 1358 | 25,33 | 16,5 | 5,1 |
| 1375 | 25,35 | 16,4 | 5,05 |
| 2539-R | 25,4 | 11,3 | 4,7 |
| 2177 | 25,4 | 13 | 5 |
| 2174 | 25,4 | 13 | 5 |
| 2195 | 25,4 | 13,8 | 7 |
| 2567-R | 25,4 | 16,2 | 4,1 |
| 2125 | 25,45 | 14,1 | 4,7 |
| 1486 | 25,55 | 16 | 4,9 |
| 580-A | 25,8 | 8,5 | 9,2 |
| 2171 | 25,93 | 16,1 | 4,5 |
| W-114 | 26,75 | 10,6 | 4,85 |
| 1623 | 26,98 | 16,3 | 4 |
| 2553-R | 26,99 | 13 | 5 |
| 2576-R | 26,99 | 14,5 | 5 |
| 2546-R | 26,99 | 17,8 | 5 |
| C-483 | 27 | 8,5 | 8,8 |
| 1676.70 | 27 | 12,8 | 5 |

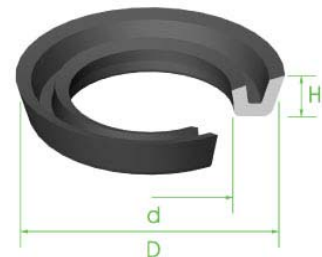
| | | | |
|------------------|-------|------|-----|
| 1676 | 27 | 12,8 | 5 |
| 2173 | 28,4 | 16,2 | 4,4 |
| 1634 | 28,4 | 16,2 | 5 |
| 2527-R | 28,57 | 14 | 5 |
| 2178 | 28,57 | 14,5 | 4,8 |
| 2570-R.70 | 28,57 | 19,7 | 5,2 |
| 2570-R | 28,57 | 19,7 | 5,2 |
| 8148 | 30,16 | 17,2 | 4,6 |
| 584-A | 31,75 | 11,7 | 5,5 |
| 584-A.70 | 31,75 | 11,7 | 5,5 |
| 1384 | 31,8 | 14,3 | 8,8 |
| 1773 | 32,38 | 17,7 | 5,5 |
| 8227 | 33,2 | 25 | 3,7 |
| 588 | 38,05 | 17,5 | 11 |
| 2187 | 38,1 | 15,7 | 9 |
| 598.70 | 38,5 | 16,5 | 8 |
| 598 | 38,5 | 16,5 | 8 |
| 1316 | 41,05 | 15,7 | 9,9 |
| 8070 | 41,2 | 25 | 7,5 |
| 2184 | 44,45 | 23,5 | 7 |
| 2538-R | 44,45 | 26 | 6,3 |

FIGURE 55



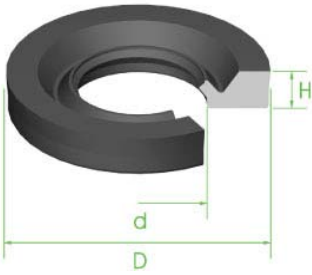
| Ref. | D | d | H |
|-------------|-------|------|-----|
| 1339 | 15,95 | 5,2 | 3,8 |
| 1693 | 26,15 | 14,3 | 3,8 |

FIGURE 56



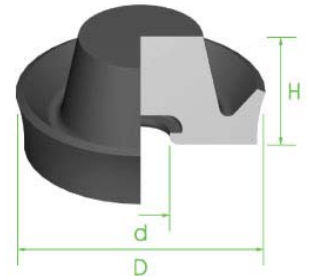
| Ref. | D | d | H |
|--------------|-------|------|---|
| 1225 | 24,9 | 14,2 | 4 |
| W-145 | 27 | 10,6 | 9 |
| 1368 | 28,15 | 17 | 4 |
| W-93 | 40,6 | 30 | 5 |

FIGURE 57



| | | | |
|--------|-------|-------|------|
| 1658 | 23,35 | 15,58 | 5 |
| 8039 | 25,4 | 16,8 | 5 |
| 1646 | 26,38 | 16,75 | 5,3 |
| 8063 | 27,2 | 20 | 4,3 |
| 8046 | 27,6 | 16,8 | 6,3 |
| 8077 | 27,8 | 20,2 | 4 |
| 8237 | 27,9 | 22,5 | 4,7 |
| 1326-A | 28,15 | 16,95 | 6 |
| 1326 | 28,15 | 16,95 | 7 |
| 1657 | 28,25 | 16,85 | 6,9 |
| 1680 | 28,5 | 14,35 | 4,3 |
| 8003 | 30,6 | 24,4 | 4,3 |
| 8005 | 31,7 | 14,6 | 6 |
| 1327 | 33,7 | 17,43 | 6,15 |
| 8004 | 34 | 14,6 | 6 |

FIGURE 62



| Ref. | D | d | H |
|---------|-------|-------|-----|
| 1648 | 26,45 | 15,1 | 5,4 |
| 1366.70 | 34,23 | 17,7 | 5,3 |
| 1366 | 34,23 | 17,7 | 5,3 |
| 1229 | 34,29 | 17,75 | 7,2 |
| 1229.70 | 34,29 | 17,75 | 7,2 |

| Ref. | D | d | H |
|------|-------|------|------|
| 671 | 26,35 | 10,3 | 15,5 |

FIGURE 58

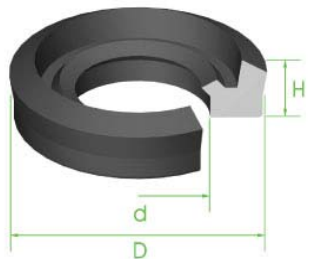


FIGURE 60

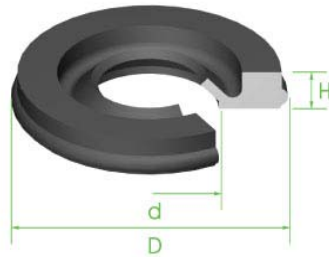
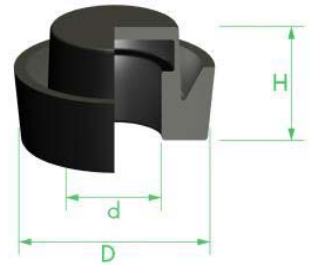


FIGURE 63



| Ref. | D | d | H |
|---------|-------|------|-----|
| C-892 | 20,9 | 12,7 | 6 |
| 1249 | 25,35 | 13,8 | 6,1 |
| 1249.70 | 25,35 | 13,8 | 6,1 |
| 1302.70 | 28,48 | 16,7 | 6 |
| 1302 | 28,48 | 16,7 | 6 |
| 2585-R | 31 | 20 | 6,2 |
| C-906 | 36,1 | 25 | 7 |

| Ref. | D | d | H |
|--------|------|------|-----|
| 1251 | 29,4 | 13,5 | 4,7 |
| 2578-R | 44 | 25,5 | 6 |

| Ref. | D | d | H |
|-------|-------|-----|------|
| 668 | 22,75 | 11 | 13,5 |
| C-731 | 27 | 8,5 | 5 |

FIGURE 59

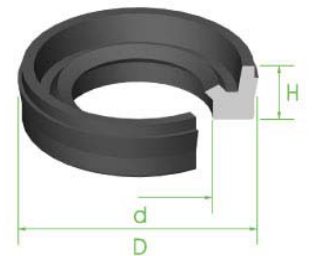


FIGURE 61

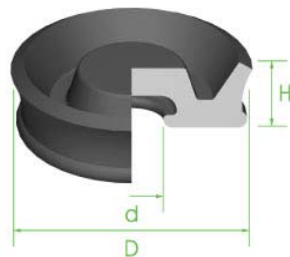
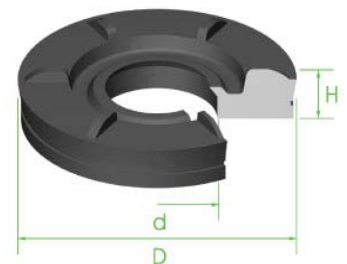


FIGURE 64



| Ref. | D | d | H |
|------|------|-------|-----|
| 8042 | 21,8 | 16,5 | 4 |
| 1686 | 23,1 | 15,45 | 4,8 |
| 1708 | 23,3 | 13,7 | 5 |

| Ref. | D | d | H |
|-------|-------|------|-----|
| W-18 | 20 | 10 | 7 |
| 689 | 25,9 | 7,25 | 8 |
| 689-D | 26 | 6 | 7,8 |
| W-19 | 26,1 | 10,8 | 7 |
| 689-C | 29,9 | 7 | 8 |
| 689-E | 31,25 | 8 | 7,5 |

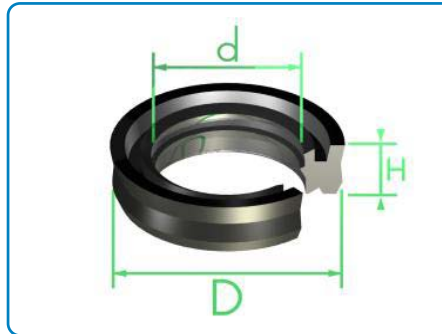
| Ref. | D | d | H |
|------|-------|------|-----|
| 1707 | 29 | 13,9 | 6,2 |
| 1644 | 34,35 | 16,6 | 5,4 |
| 1652 | 34,6 | 13,6 | 6,7 |

FIGURE 65



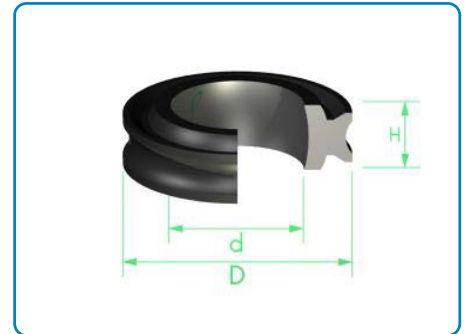
| Ref. | D | d | H |
|-------------|------|------|-----|
| 2104 | 36,8 | 18,4 | 6,3 |

FIGURE 68



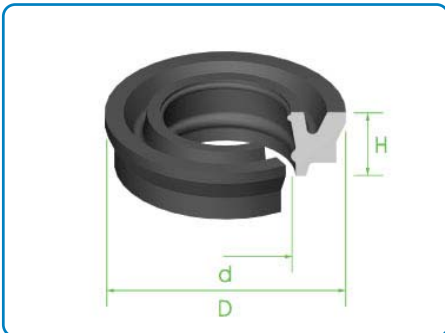
| Ref. | D | d | H |
|-------------|----|------|-----|
| 8002 | 23 | 14,7 | 5,2 |

FIGURE 71



| Ref. | D | d | H |
|--------------|------|------|-----|
| 1627 | 24,2 | 13,9 | 6,8 |
| C-912 | 51,3 | 44 | 6 |

FIGURE 66



| Ref. | D | d | H |
|--------------|-------|------|-----|
| 1301 | 22,55 | 13,1 | 6,5 |
| 1653 | 24,55 | 14,1 | 7,3 |
| W-126 | 25,2 | 13,8 | 7,3 |

FIGURE 69



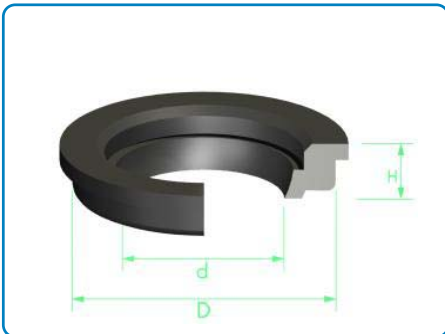
| Ref. | D | d | H |
|-------------|-------|----|-----|
| 1472 | 31,83 | 26 | 8,5 |

FIGURE 72



| Ref. | D | d | H |
|---------------|-------|----|-----|
| 2571-R | 33,34 | 22 | 6,2 |

FIGURE 67



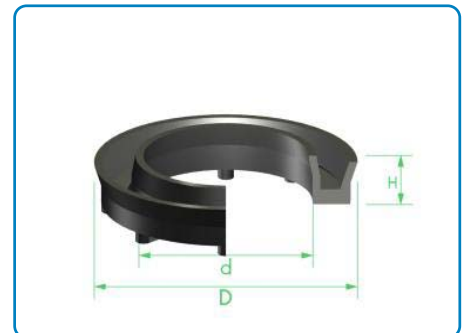
| Ref. | D | d | H |
|-------------|----|-----|-----|
| 1540 | 18 | 9,9 | 3,5 |

FIGURE 70



| Ref. | D | d | H |
|-------------|-------|-------|-----|
| 2132 | 23,8 | 15 | 5,3 |
| 2129 | 29,03 | 15,35 | 6,6 |

FIGURE 73



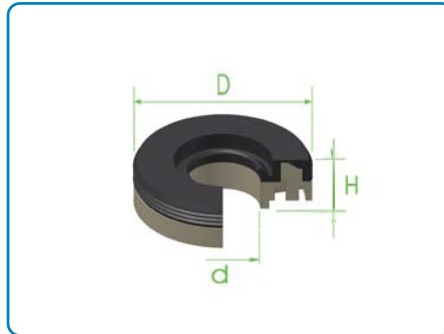
| Ref. | D | d | H |
|---------------|-------|------|-----|
| 2572-R | 26,99 | 18,2 | 5,6 |

FIGURE 74



| Ref. | D | d | H |
|---------------|------|------|-----|
| 2587-R | 34,7 | 17,5 | 5 |
| 8048 | 37,4 | 15,3 | 5,2 |

FIGURE 77



| Ref. | D | d | H |
|-------------|------|-------|------|
| 8197 | 40,7 | 17,1 | 12,2 |
| 8212 | 41 | 18,45 | 5,4 |

FIGURE 80



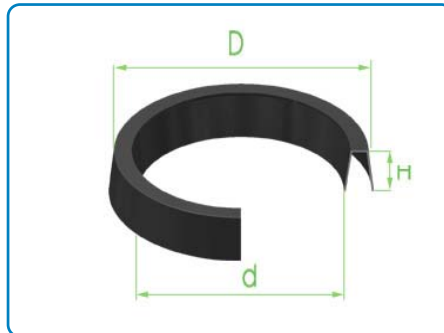
| Ref. | D | d | H |
|-------------|----|----|-----|
| 8043 | 28 | 18 | 6,8 |

FIGURE 75



| Ref. | D | d | H |
|-------------|-------|------|---|
| 1662 | 34,38 | 16,3 | 5 |

FIGURE 78



| Ref. | D | d | H |
|-------------|----|----|-----|
| 8228 | 33 | 26 | 4,2 |

FIGURE 81



| Ref. | D | d | H |
|-------------|------|------|-----|
| 8104 | 33,7 | 15,6 | 9,5 |

FIGURE 76



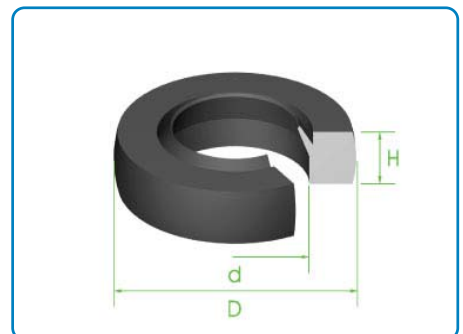
| Ref. | D | d | H |
|---------------|------|------|------|
| 2598-R | 31 | 21,5 | 4 |
| 8087 | 33,8 | 24,7 | 3,95 |
| 8101 | 35,5 | 25,4 | 4 |

FIGURE 79



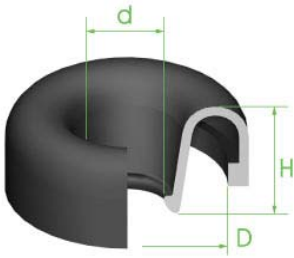
| Ref. | D | d | H |
|-------------|----|------|---|
| 8045 | 34 | 20,5 | 7 |

FIGURE 82



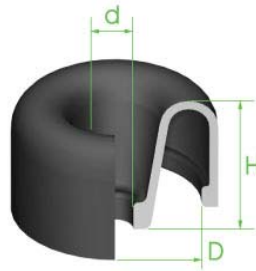
| Ref. | D | d | H |
|----------------|-------|-------|-----|
| 1250.70 | 18,95 | 10,55 | 4,9 |
| 1250 | 18,95 | 10,55 | 4,9 |
| 1254 | 20,6 | 11,7 | 5,3 |
| 1253 | 22,03 | 12,83 | 5,9 |
| 1681.70 | 23,7 | 12,6 | 5,2 |
| 1681 | 23,7 | 12,6 | 5,2 |
| 1682.70 | 25,6 | 13,8 | 6,3 |
| 1682 | 25,6 | 13,8 | 6,3 |
| 1745 | 26,9 | 12,4 | 6,7 |
| 2130 | 28,55 | 16 | 6,5 |
| 2134 | 31,75 | 20 | 7 |

FIGURE 200



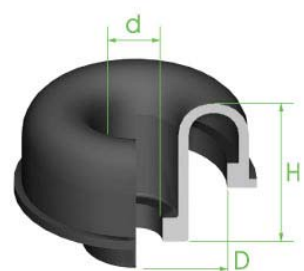
| Ref. | D | d | H |
|-------|------|------|------|
| 2418 | 22,2 | 7,7 | 17,2 |
| 703-A | 24,7 | 7,5 | 11,5 |
| 703 | 24,8 | 7,5 | 11,5 |
| 710-A | 26 | 5,5 | 8,7 |
| C-771 | 29 | 7,1 | 13,2 |
| G-11 | 30 | 7 | 14,5 |
| G-2 | 30,5 | 14 | 17,6 |
| 1536 | 41,1 | 17,9 | 21,1 |

FIGURE 203



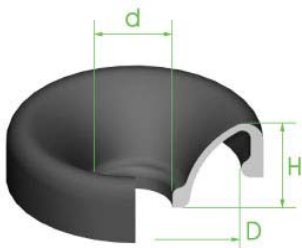
| Ref. | D | d | H |
|-------|------|------|------|
| 747 | 18,3 | 7 | 10,3 |
| 706-S | 19,5 | 6 | 8,5 |
| 802 | 21 | 5 | 20 |
| 2308 | 22 | 6,5 | 18 |
| 748 | 22,4 | 7,8 | 9,7 |
| 705 | 27 | 8 | 14,7 |
| 750 | 29 | 13,6 | 12 |
| 2092 | 38,3 | 13,8 | 19 |

FIGURE 205



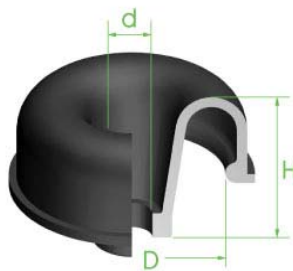
| Ref. | D | d | H |
|------|-------|-----|------|
| 788 | 25 | 5,5 | 22,5 |
| 766 | 36,75 | 13 | 20 |

FIGURE 201



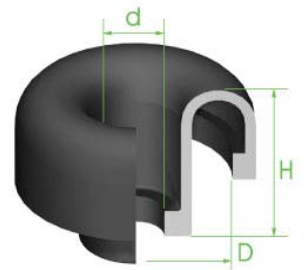
| Ref. | D | d | H |
|------|------|------|----|
| G-45 | 33,3 | 13,5 | 11 |
| 1533 | 51,9 | 18,1 | 22 |

FIGURE 204



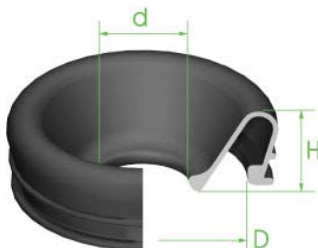
| Ref. | D | d | H |
|-------|------|------|------|
| 1581 | 19,3 | 6 | 15,5 |
| C-796 | 24,2 | 7,2 | 16,5 |
| 760 | 27,5 | 12 | 14 |
| 1878 | 28,5 | 6,2 | 22,4 |
| C-798 | 31 | 10,5 | 25,5 |
| 1574 | 31,1 | 7 | 25,2 |
| 764 | 36 | 12,5 | 20 |
| 768 | 40,5 | 13,7 | 25 |
| 722 | 47,5 | 11,5 | 15 |

FIGURE 206



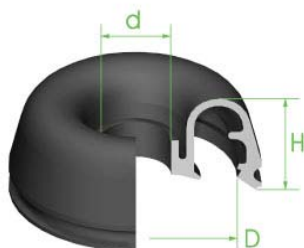
| Ref. | D | d | H |
|------|----|------|------|
| G-15 | 24 | 10,5 | 16,5 |
| G-19 | 31 | 6,8 | 25 |
| 761 | 31 | 12,5 | 21,5 |
| G-46 | 48 | 18,5 | 27 |

FIGURE 202



| Ref. | D | d | H |
|------|------|------|----|
| 789 | 45,8 | 18,2 | 18 |

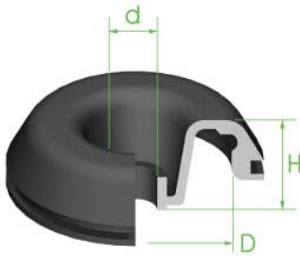
FIGURE 207



| Ref. | D | d | H |
|------|------|-----|-----|
| 745 | 19,8 | 8,5 | 9,5 |
| 746 | 22,3 | 8,6 | 11 |

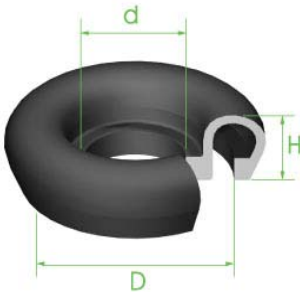
FIGURES

FIGURE 208



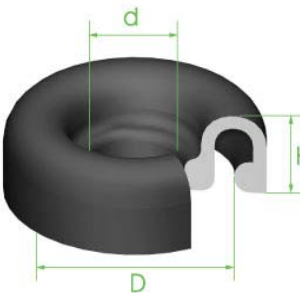
| Ref. | D | d | H |
|------|------|-----|-----|
| 1503 | 20,1 | 5 | 9,5 |
| 1504 | 22,2 | 6,9 | 9,7 |

FIGURE 209



| Ref. | D | d | H |
|------|------|------|-------|
| 1525 | 18,5 | 7,8 | 7,5 |
| 727 | 23 | 10 | 11,5 |
| G-13 | 24 | 8,5 | 11 |
| 8303 | 24,5 | 7,5 | 11,5 |
| 803 | 25,2 | 7,5 | 9 |
| 717 | 27 | 7 | 12,5 |
| G-41 | 30 | 9 | 10,25 |
| 1550 | 38,8 | 15 | 18,8 |
| G-42 | 39 | 11,5 | 12,25 |
| G-43 | 39 | 11,8 | 11,6 |
| 724 | 53 | 11 | 15 |

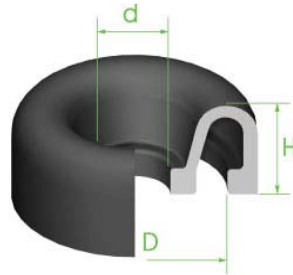
FIGURE 210



| Ref. | D | d | H |
|-------|------|-----|-----|
| 747-A | 18,3 | 9,8 | 7,5 |
| 748-A | 23,5 | 10 | 8 |

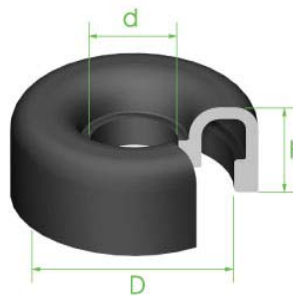
| | | | |
|------|------|------|------|
| G-12 | 26 | 7 | 8,7 |
| 723 | 27 | 11 | 13 |
| G-47 | 27,3 | 7 | 14,3 |
| G-53 | 30 | 7 | 13 |
| 2093 | 41 | 12,7 | 18 |

FIGURE 211



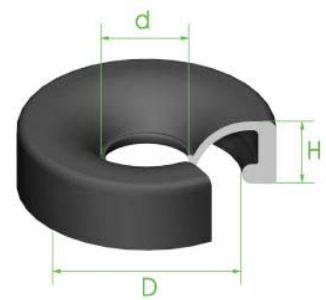
| Ref. | D | d | H |
|------|-------|------|-------|
| G-51 | 21 | 7 | 9 |
| 706 | 22 | 8,5 | 10 |
| 713 | 23 | 7,5 | 9,5 |
| 708 | 24 | 8,3 | 9,8 |
| 710 | 28 | 6,5 | 9,5 |
| 712 | 31,15 | 7,5 | 10 |
| 779 | 32 | 14,2 | 12 |
| 714 | 33,2 | 8,9 | 11,05 |
| 716 | 39 | 10 | 11,5 |
| 718 | 43 | 9 | 14 |

FIGURE 212



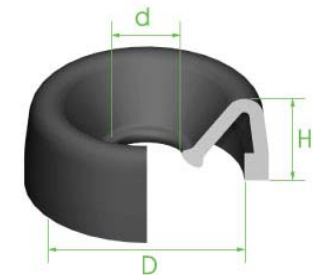
| Ref. | D | d | H |
|------|------|------|------|
| 1593 | 18,3 | 5,5 | 12,5 |
| 2024 | 20,6 | 8,5 | 9,85 |
| 702 | 22 | 7 | 9 |
| 832 | 26 | 6 | 34,5 |
| G-14 | 26 | 13,5 | 15 |
| 704 | 26,2 | 9,2 | 10,5 |
| 805 | 26,5 | 6 | 14 |

FIGURE 213



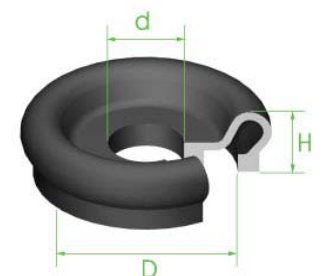
| Ref. | D | d | H |
|-------|-------|------|------|
| 712-A | 30,7 | 7 | 12,5 |
| 894 | 35,8 | 14,8 | 15,5 |
| 1532 | 36,3 | 12,3 | 12,8 |
| C-752 | 43,65 | 11,9 | 12,7 |
| G-49 | 46,8 | 8 | 20,7 |
| 2413 | 48 | 12 | 16 |

FIGURE 214



| Ref. | D | d | H |
|-------|------|------|------|
| 709 | 20 | 8,5 | 11 |
| 728 | 21,5 | 7,5 | 9,5 |
| 1846 | 23,6 | 4,8 | 10 |
| 2303 | 24 | 8 | 11,8 |
| 711 | 27 | 7 | 12,5 |
| C-799 | 29,5 | 9 | 10 |
| C-797 | 31 | 11,5 | 13,5 |
| 751 | 35 | 13 | 12 |
| C-815 | 44 | 12,8 | 12,5 |

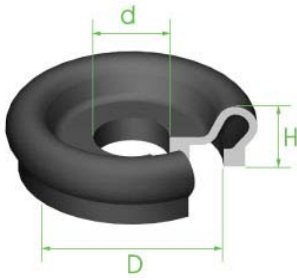
FIGURE 215



| Ref. | D | d | H |
|------|---|---|---|
|------|---|---|---|

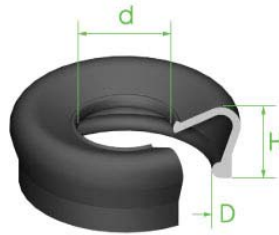
FIGURES

FIGURE 215 Cont.



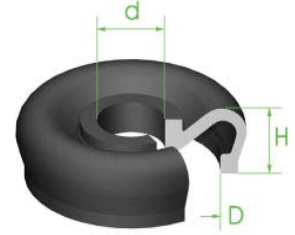
| Ref. | D | d | H |
|-------------|------|------|------|
| 8218 | 19 | 11 | 9 |
| 707 | 25,4 | 10,3 | 9,6 |
| G-35 | 29 | 7,93 | 11,1 |
| 8032 | 40 | 26,3 | 14,5 |
| 865 | 44 | 30,3 | 15,5 |

FIGURE 218



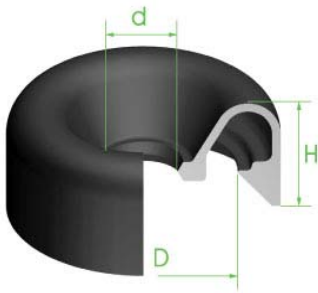
| Ref. | D | d | H |
|--------------|------|-------|------|
| 700-A | 20,7 | 9 | 11 |
| 2236 | 20,7 | 13,6 | 15,9 |
| 1843 | 24,8 | 13,8 | 9,5 |
| G-40 | 25 | 12 | 16,5 |
| 2422 | 28,5 | 11,3 | 10,9 |
| 2284 | 29,6 | 27,55 | 14 |

FIGURE 231



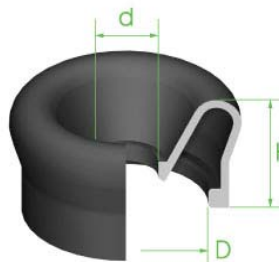
| Ref. | D | d | H |
|-------------|------|------|------|
| 1591 | 23,8 | 8,4 | 9,7 |
| 2037 | 27,4 | 6,5 | 18,5 |
| 1585 | 32 | 29 | 17,7 |
| 1810 | 40,3 | 19,3 | 15,7 |
| 2485 | 42 | 6,5 | 13 |

FIGURE 216



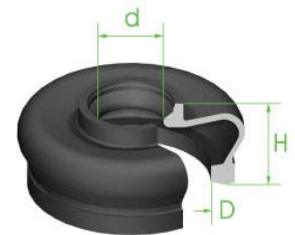
| Ref. | D | d | H |
|-------------|------|-----|------|
| 1863 | 13,2 | 6,9 | 11,7 |
| 1862 | 17,2 | 6 | 11,8 |
| 2487 | 17,5 | 6 | 11,6 |
| 1864 | 19,2 | 7,1 | 11,8 |

FIGURE 219



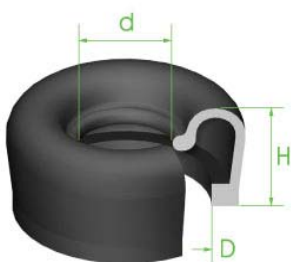
| Ref. | D | d | H |
|-------------|------|------|------|
| 1584 | 19,7 | 8 | 13,7 |
| 1562 | 30,4 | 12,6 | 10,5 |

FIGURE 232



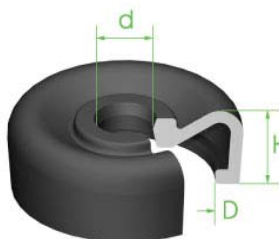
| Ref. | D | d | H |
|-------------|------|------|------|
| 2031 | 28 | 14,3 | 16,5 |
| 1800 | 32,3 | 13,7 | 16,5 |
| 1580 | 37,6 | 19 | 16,3 |

FIGURE 217



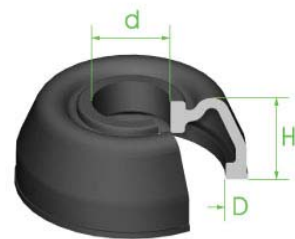
| Ref. | D | d | H |
|-------------|------|------|------|
| G-8 | 20 | 8 | 22 |
| G-6 | 20,5 | 14 | 16 |
| 786 | 23,5 | 10,5 | 15 |
| 1854 | 23,5 | 16,2 | 8,5 |
| 895 | 25,5 | 12,2 | 16,5 |

FIGURE 230



| Ref. | D | d | H |
|-------------|------|------|------|
| G-50 | 25 | 11 | 14 |
| 780 | 26,5 | 13,5 | 10,5 |

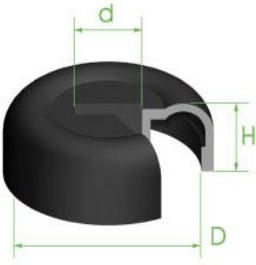
FIGURE 233



| Ref. | D | d | H |
|-------------|------|------|----|
| 2394 | 19,5 | 6 | 12 |
| 1546 | 22 | 7 | 12 |
| G-16 | 23,5 | 9,8 | 11 |
| 2032 | 30 | 10,5 | 20 |

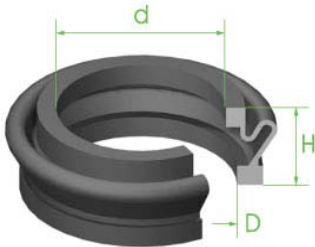
FIGURES

FIGURE 234



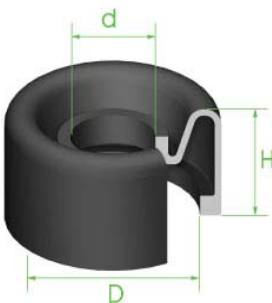
| Ref. | D | d | H |
|--------------|----|-------|----|
| 731-B | 31 | 12 | 12 |
| 731 | 31 | 12,5 | 12 |
| G-7 | 41 | 29,25 | 15 |

FIGURE 235



| Ref. | D | d | H |
|-------------|------|------|------|
| 1847 | 32,4 | 27 | 16,5 |
| 1564 | 37,9 | 32,2 | 15,7 |
| 1849 | 46 | 29,2 | 13,2 |

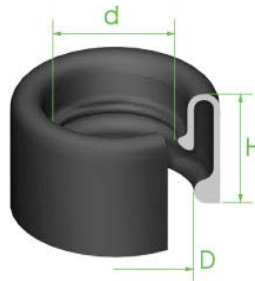
FIGURE 236



| Ref. | D | d | H |
|--------------|------|------|------|
| 2272 | 14,8 | 9,3 | 13,9 |
| 8067 | 14,8 | 9,7 | 15,5 |
| G-33 | 18,5 | 10,5 | 11,7 |
| 1508 | 18,6 | 10,6 | 11,7 |
| 1510 | 21 | 10,5 | 11,9 |
| 734-A | 26,5 | 8,9 | 25 |
| 734 | 27,6 | 6,5 | 21,5 |
| 805-A | 28 | 6,5 | 18 |
| 2400 | 28 | 10,5 | 20 |

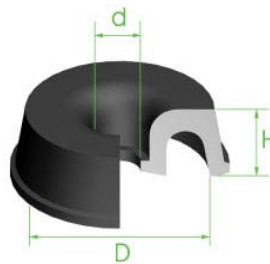
| | | | |
|-------------|------|------|------|
| 1899 | 28,3 | 13,8 | 16,8 |
| 848 | 32 | 6,5 | 26 |
| 752 | 34 | 18,5 | 15,5 |
| 735 | 38 | 16 | 22,5 |

FIGURE 237



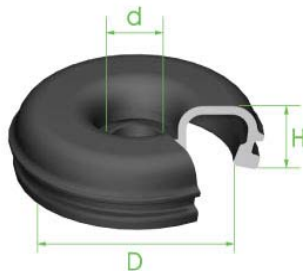
| Ref. | D | d | H |
|--------------|-------|------|------|
| 2392 | 13,45 | 11 | 17,4 |
| 730 | 22 | 17 | 14 |
| G-52 | 24 | 12 | 12,3 |
| 1830 | 24 | 19,4 | 18 |
| 731-A | 25 | 20 | 16,5 |

FIGURE 238



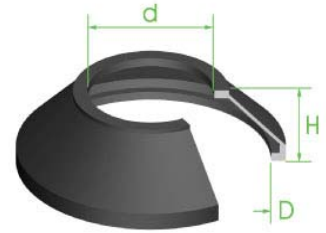
| Ref. | D | d | H |
|-------------|------|-----|---|
| 2046 | 18 | 7 | 9 |
| 804 | 20,5 | 5,5 | 8 |

FIGURE 239



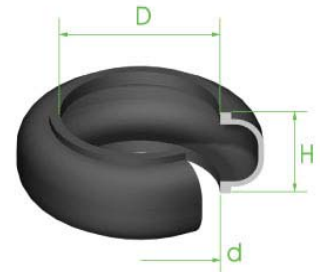
| Ref. | D | d | H |
|-------------|------|-----|-------|
| 2026 | 20,5 | 6,5 | 8,4 |
| 740 | 34,8 | 6,1 | 10,15 |

FIGURE 240



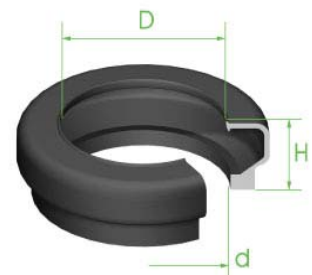
| Ref. | D | d | H |
|-------------|------|------|----|
| 2302 | 57 | 30 | 18 |
| 2390 | 57,4 | 18,9 | 12 |

FIGURE 241



| Ref. | D | d | H |
|-------------|------|------|------|
| 1502 | 20 | 20 | 21 |
| 1563 | 21 | 21 | 11,2 |
| 1848 | 33,8 | 32,6 | 15,2 |

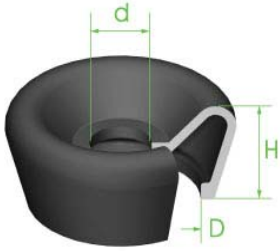
FIGURE 242



| Ref. | D | d | H |
|-------------|------|------|------|
| 2282 | 30 | 23,9 | 14,4 |
| 2283 | 30 | 27 | 14,2 |
| 2242 | 31,5 | 27,2 | 15,1 |
| 1850 | 32 | 31,4 | 13,5 |
| 2489 | 37 | 37,5 | 15 |
| 2393 | 42,7 | 41,7 | 17,3 |

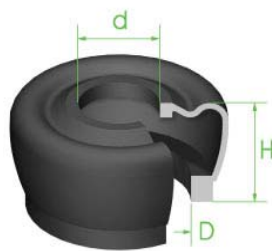
FIGURES

FIGURE 243



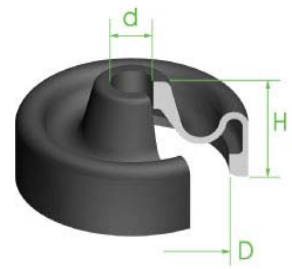
| Ref. | D | d | H |
|------|------|------|------|
| 1803 | 22,2 | 8 | 14 |
| 8245 | 26 | 8,2 | 11 |
| G-39 | 26 | 12,4 | 15,9 |

FIGURE 246



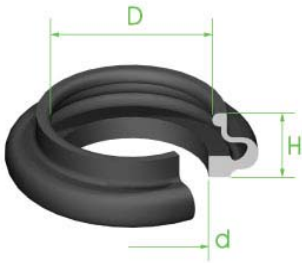
| Ref. | D | d | H |
|------|------|-----|------|
| 2285 | 21,9 | 7,9 | 12,2 |
| 2414 | 23 | 13 | 17 |

FIGURE 249



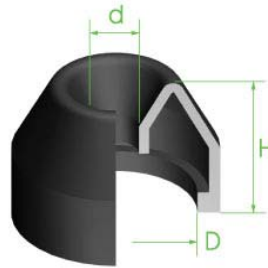
| Ref. | D | d | H |
|------|-------|-------|-------|
| G-10 | 24,4 | 5,1 | 14 |
| G-34 | 30,5 | 5 | 10 |
| 754 | 30,8 | 8,7 | 20 |
| 2055 | 38 | 9,5 | 31,2 |
| G-21 | 39,49 | 10,16 | 31,75 |
| 1599 | 40 | 8,8 | 21 |
| 2415 | 41 | 9 | 18,5 |

FIGURE 244



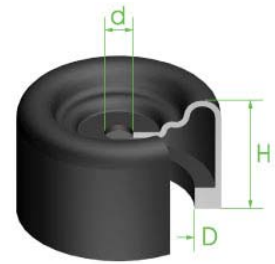
| Ref. | D | d | H |
|------|------|------|------|
| 2466 | 27,5 | 24 | 10,8 |
| 2286 | 28 | 26,7 | 12 |
| 1596 | 28,2 | 28 | 13,5 |
| 2030 | 29,4 | 29,4 | 18,6 |
| 1598 | 32,4 | 32 | 12,5 |

FIGURE 247



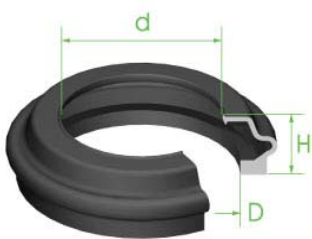
| Ref. | D | d | H |
|------|----|------|------|
| 822 | 28 | 7,75 | 24 |
| 8035 | 48 | 14,1 | 23,8 |

FIGURE 250



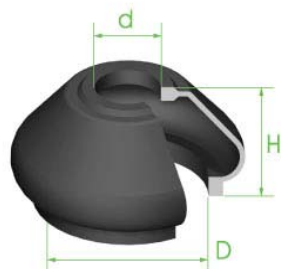
| Ref. | D | d | H |
|------|------|-----|------|
| 8041 | 20 | 5 | 18 |
| 2243 | 20,5 | 4,8 | 15,5 |
| G-48 | 28 | 9 | 18 |

FIGURE 245



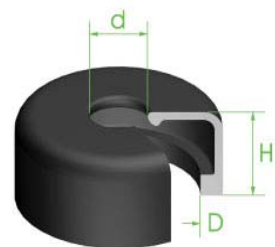
| Ref. | D | d | H |
|------|------|------|------|
| 2034 | 37,8 | 26,5 | 13,2 |

FIGURE 248



| Ref. | D | d | H |
|-------|------|------|-------|
| C-763 | 29,2 | 15 | 27 |
| C-764 | 30,8 | 9,3 | 28,35 |
| 880 | 34,5 | 10 | 35 |
| C-816 | 37,8 | 15,5 | 27 |
| 873 | 44 | 18,4 | 32 |

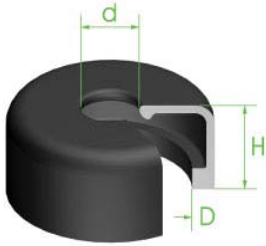
FIGURE 251



| Ref. | D | d | H |
|-------|------|------|------|
| C-551 | 12 | 3,35 | 9,25 |
| C-691 | 17 | 8 | 12 |
| 1888 | 20 | 4 | 11,5 |
| 1582 | 20,4 | 7 | 16,4 |
| 800 | 21 | 6,5 | 14 |

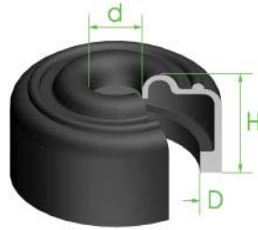
FIGURES

FIGURE 251 Cont.



| Ref. | D | d | H |
|-------------|-------|-----|-------|
| G-4 | 21 | 7 | 14,25 |
| 801 | 22 | 7 | 9 |
| G-38 | 23 | 8 | 8,75 |
| 831 | 30,25 | 9,5 | 15,75 |
| 736 | 32 | 12 | 13,1 |

FIGURE 254



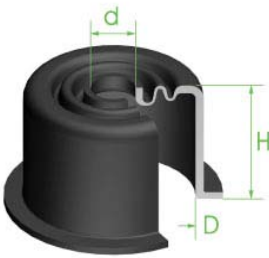
| Ref. | D | d | H |
|-------------|-------|------|-------|
| 2036 | 17,3 | 8,9 | 19 |
| 821 | 27 | 6,6 | 20,6 |
| 823 | 27,15 | 6,6 | 13,55 |
| 846 | 39,75 | 8,5 | 27 |
| 888 | 51,5 | 14,5 | 14,6 |

FIGURE 257



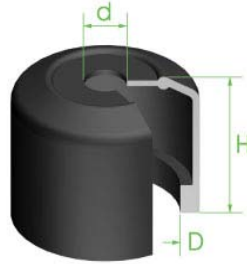
| Ref. | D | d | H |
|-------------|------|------|------|
| 2494 | 16 | 10,5 | 46,4 |
| 2498 | 16,3 | 6,5 | 34,7 |
| 1836 | 17,8 | 8 | 18 |
| 1866 | 17,8 | 9,6 | 15,6 |
| 826 | 19 | 5,75 | 39,2 |
| 1539 | 19,4 | 6,2 | 19,8 |
| G-3 | 20 | 6 | 43 |
| 1835 | 20,5 | 8 | 17,8 |
| 1877 | 22 | 7,8 | 18,5 |
| 8030 | 22 | 8 | 43,5 |
| 825 | 22,5 | 8 | 40,5 |
| 833 | 24,2 | 8 | 48,5 |
| 830 | 25,5 | 12,5 | 48 |
| G-5 | 27,6 | 12 | 49,5 |
| G-20 | 31,8 | 11,1 | 42,5 |
| 2340 | 33,3 | 12,5 | 52,5 |
| G-36 | 34 | 7,5 | 53 |
| G-37 | 34 | 12 | 53 |
| 828 | 34,2 | 6 | 43 |

FIGURE 252



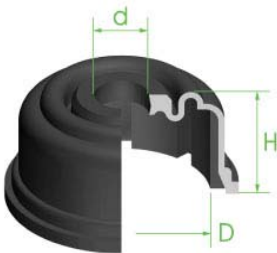
| Ref. | D | d | H |
|-------------|------|-----|------|
| 1891 | 29,5 | 8 | 40,5 |
| 2088 | 39,8 | 8,1 | 22,2 |

FIGURE 255



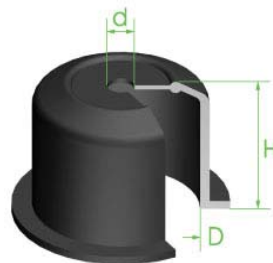
| Ref. | D | d | H |
|--------------|------|------|-------|
| 824 | 27,3 | 6 | 25 |
| 824-B | 28,5 | 4,5 | 23,5 |
| 743 | 29,2 | 5,75 | 18 |
| C-860 | 32 | 8,5 | 15,75 |
| 744 | 33 | 7,5 | 21 |

FIGURE 253



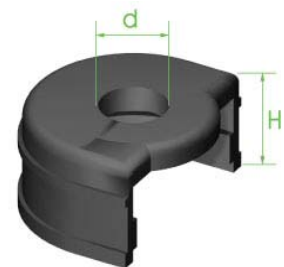
| Ref. | D | d | H |
|-------------|----|-----|------|
| 2291 | 34 | 8,5 | 17,5 |

FIGURE 256



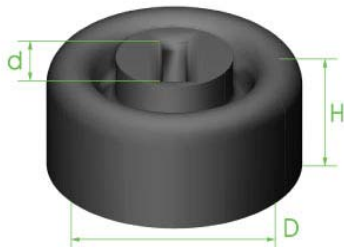
| Ref. | D | d | H |
|-------------|------|------|------|
| 8114 | 25,5 | 12,5 | 23,5 |
| 8113 | 30 | 6,6 | 32 |
| 2297 | 33 | 5,5 | 29 |
| G-18 | 37,5 | 5,6 | 20,5 |
| 897 | 38 | 5,5 | 23 |

FIGURE 258



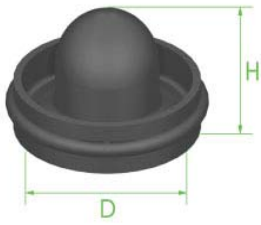
| Ref. | D | d | H |
|-------------|------|------|------|
| 2023 | 9,2 | | 13,5 |
| 2040 | 28,5 | 10,2 | 14,2 |
| 778 | 28,5 | 11,2 | 18,8 |
| G-44 | 38 | 11,2 | 17 |

FIGURE 259



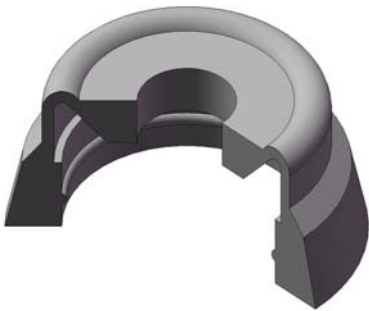
| Ref. | D | d | H |
|------|------|------|------|
| 1520 | 21,7 | 8,2 | 10,8 |
| G-9 | 23,5 | | 15,4 |
| 729 | 27,3 | 13,5 | 12,2 |

FIGURE 260



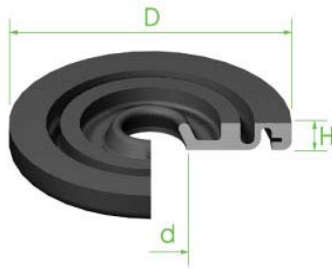
| Ref. | D | d | H |
|------|------|------|------|
| 1639 | 32,2 | 6,55 | 22,5 |

FIGURE 261



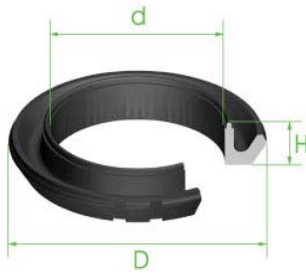
| Ref. | D | d | H |
|------|-----|-----|-----|
| 700 | 9,5 | 2,5 | 7,4 |

FIGURE 262



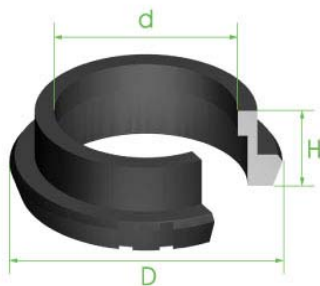
| Ref. | D | d | H |
|------|------|------|-----|
| 2157 | 35,4 | 10 | 5,4 |
| 1446 | 41 | 9,7 | 4,9 |
| 2339 | 41 | 16 | 4,4 |
| 2484 | 44 | 15,5 | 4,8 |

FIGURE 263



| Ref. | D | d | H |
|------|------|------|-----|
| W-84 | 13 | 3 | 12 |
| 2028 | 42,4 | 28,6 | 7,5 |
| 2078 | 43,6 | 31 | 4 |
| 2082 | 43,9 | 32,2 | 5,1 |

FIGURE 264



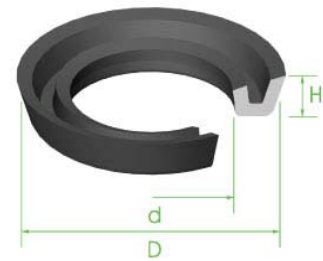
| Ref. | D | d | H |
|------|------|------|----|
| 2090 | 40,5 | 27,2 | 12 |

FIGURE 265



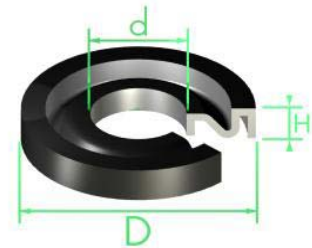
| Ref. | D | d | H |
|------|------|-----|-----|
| 1517 | 36,2 | 6,5 | 4,5 |

FIGURE 266



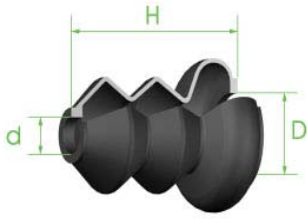
| Ref. | D | d | H |
|----------|------|------|-----|
| W-177.70 | 30,5 | 18,2 | 6 |
| 2029 | 37 | 29,7 | 4,2 |

FIGURE 267



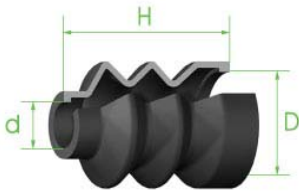
| Ref. | D | d | H |
|------|----|----|---|
| 2412 | 19 | 12 | 4 |

FIGURE 300



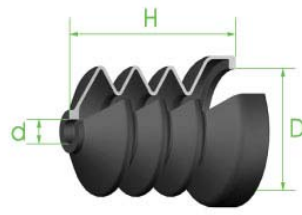
| Ref. | D | d | H |
|------|------|------|------|
| 811 | 29 | 13 | 70 |
| F-13 | 31,8 | 14,5 | 63,5 |
| F-18 | 44 | 19 | 70 |
| F-1 | 52 | 19 | 94 |

FIGURE 301



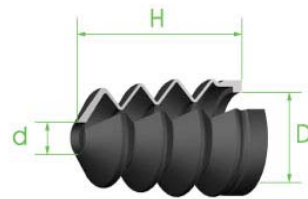
| Ref. | D | d | H |
|-------|------|------|-------|
| 2079 | 23 | 5,5 | 57,5 |
| 2483 | 24,5 | 6,3 | 44,5 |
| 806 | 24,5 | 9,5 | 44,3 |
| 844 | 25,5 | 7,25 | 67 |
| 844-A | 25,5 | 8,5 | 67 |
| 2328 | 26,5 | 9,2 | 45,6 |
| F-15 | 27,2 | 9 | 51,5 |
| 1858 | 28 | 7 | 75 |
| 2316 | 28,5 | 9 | 42 |
| 807 | 28,5 | 10 | 51,85 |
| 808 | 28,5 | 11,5 | 43,5 |
| 809 | 33 | 8 | 52 |
| 810 | 33 | 12 | 59 |
| F-16 | 33 | 12,4 | 58 |
| 2251 | 35 | 20,5 | 87 |
| 812 | 37 | 13,5 | 52 |
| 810-A | 39 | 12 | 57 |
| 814 | 39,5 | 18 | 58 |
| 818 | 43,5 | 18,8 | 59 |
| F-9 | 46 | 17,5 | 70 |

FIGURE 302



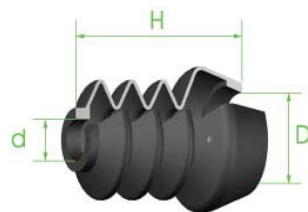
| Ref. | D | d | H |
|------|-------|------|------|
| 1565 | 16,7 | 8 | 57,5 |
| 2417 | 23,5 | 5 | 64 |
| 8247 | 26,5 | 7 | 55 |
| 2279 | 27,5 | 17 | 47 |
| 2326 | 29 | 5,5 | 56 |
| 2386 | 30,5 | 19,2 | 55 |
| 2287 | 41,65 | 8,05 | 67 |

FIGURE 303



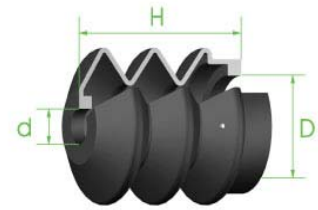
| Ref. | D | d | H |
|------|------|-----|----|
| 1867 | 20,5 | 4,7 | 42 |
| 2490 | 26,5 | 6 | 60 |

FIGURE 304



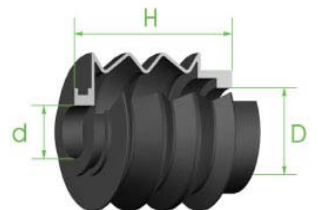
| Ref. | D | d | H |
|------|------|------|-------|
| 1834 | 16,7 | 6 | 42 |
| F-14 | 28 | 9,5 | 33 |
| F-11 | 29,2 | 6 | 75 |
| F-10 | 29,5 | 11,1 | 57,15 |

FIGURE 305



| Ref. | D | d | H |
|------|------|------|------|
| 1558 | 15,9 | 10,8 | 23 |
| 8156 | 21 | 9,5 | 58 |
| 1568 | 28,5 | 13,2 | 40,1 |
| 840 | 30 | 16 | 52,5 |

FIGURE 306



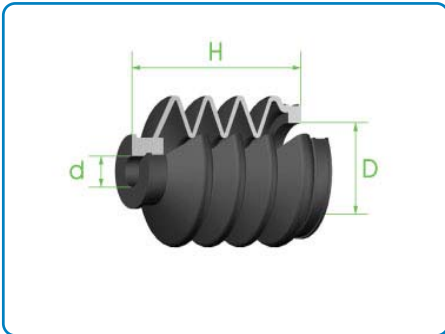
| Ref. | D | d | H |
|------|------|---|----|
| 842 | 27,5 | 7 | 52 |

FIGURE 307



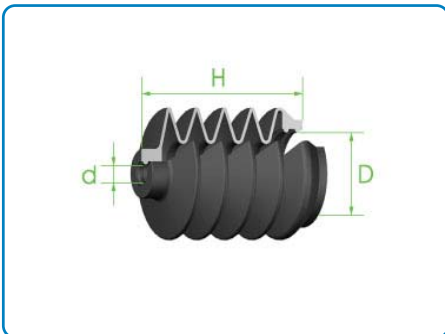
| Ref. | D | d | H |
|------|------|------|-------|
| 1871 | 19,3 | 5 | 44 |
| 1538 | 20 | 3,8 | 31,5 |
| 2332 | 25 | 6,7 | 50 |
| 2470 | 32 | 10,5 | 82 |
| F-6 | 37 | 5 | 33,35 |

FIGURE 308



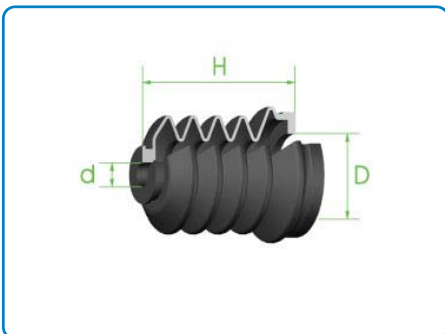
| Ref. | D | d | H |
|-------------|------|------|------|
| 2329 | 28 | 12 | 49 |
| F-8 | 33,3 | 17,5 | 57,2 |
| F-2 | 34,5 | 6 | 46 |

FIGURE 309



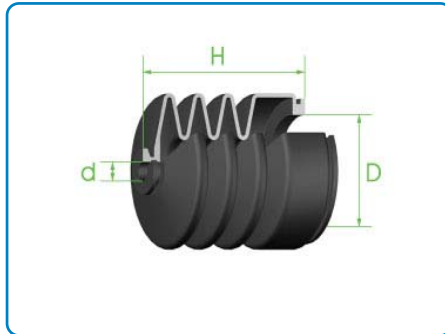
| Ref. | D | d | H |
|------------|------|-----|----|
| 836 | 18,5 | 8,5 | 44 |

FIGURE 310



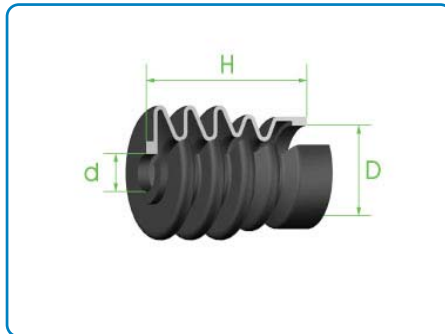
| Ref. | D | d | H |
|-------------|------|-----|------|
| 1833 | 15,5 | 6 | 44,2 |
| 2469 | 17,5 | 8 | 74 |
| 2294 | 27,5 | 8,5 | 84 |

FIGURE 311



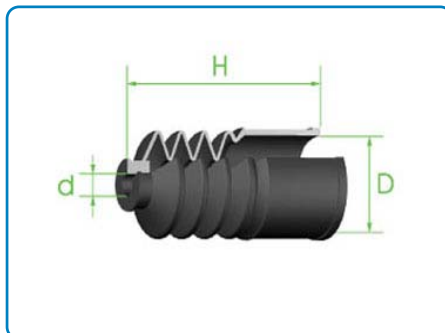
| Ref. | D | d | H |
|-------------|------|------|-------|
| 2240 | 22,8 | 9,5 | 51 |
| 838 | 32,5 | 5,5 | 56,75 |
| F-5 | 44,5 | 15,8 | 85,75 |
| 820 | 51 | 19,8 | 73 |
| F-4 | 54 | 20,5 | 73,5 |

FIGURE 312



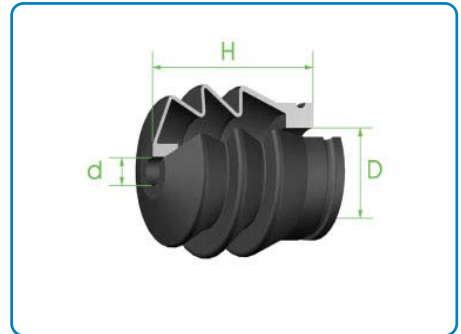
| Ref. | D | d | H |
|-------------|------|-----|----|
| 2084 | 17,5 | 4 | 61 |
| 2281 | 24 | 8,3 | 36 |
| 2473 | 27,5 | 17 | 74 |

FIGURE 313



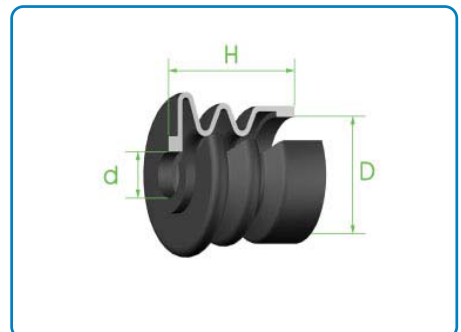
| Ref. | D | d | H |
|-------------|------|-----|----|
| 2385 | 34,2 | 8,3 | 77 |
| F-7 | 39 | 12 | 84 |

FIGURE 314



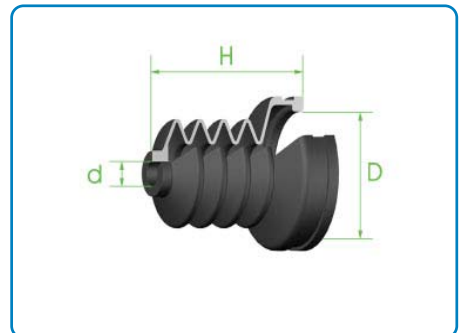
| Ref. | D | d | H |
|-------------|----|-----|------|
| 1537 | 23 | 4,5 | 29,2 |
| F-17 | 34 | 15 | 54 |

FIGURE 315



| Ref. | D | d | H |
|-------------|----|---|----|
| 1583 | 21 | 5 | 27 |

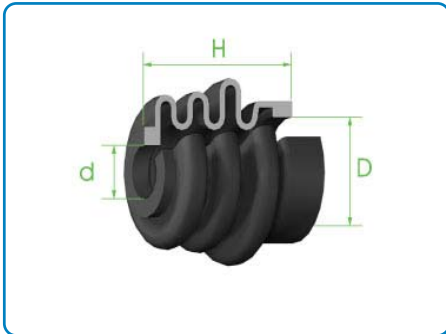
FIGURE 316



| Ref. | D | d | H |
|-------------|------|-----|-----|
| 8246 | 20,5 | 9,5 | 60 |
| 8116 | 20,6 | 9,4 | 60 |
| 2289 | 29,5 | 5,8 | 4,2 |
| F-3 | 33 | 8 | 52 |
| 2330 | 37,6 | 7 | 56 |

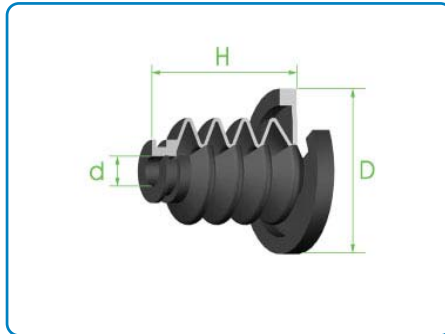
FIGURES

FIGURE 317



| Ref. | D | d | H |
|-------------|------|-----|-------|
| 2087 | 17,5 | 8,5 | 28,35 |

FIGURE 320



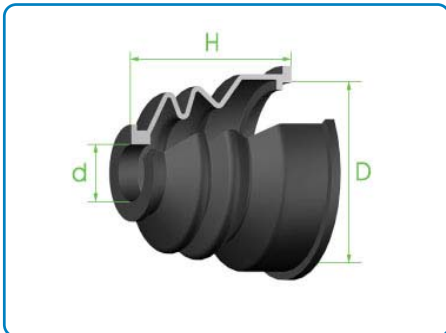
| Ref. | D | d | H |
|------------|------|---|----|
| 898 | 34,5 | 6 | 42 |

FIGURE 323



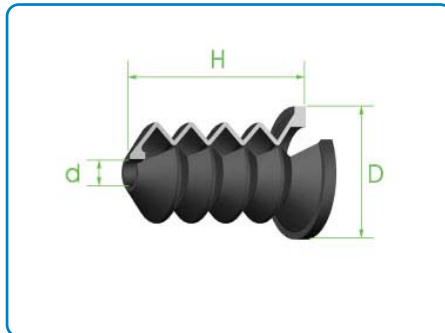
| Ref. | D | d | H |
|-------------|------|----|----|
| 8054 | 21,2 | 14 | 53 |

FIGURE 318



| Ref. | D | d | H |
|-------------|------|------|----|
| 2280 | 43,5 | 16,8 | 35 |

FIGURE 321



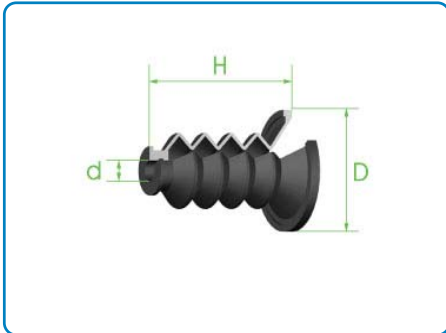
| Ref. | D | d | H |
|-------------|------|-----|------|
| 2327 | 20,2 | 5,5 | 45 |
| 1516 | 29,5 | 5,8 | 46,5 |

FIGURE 324



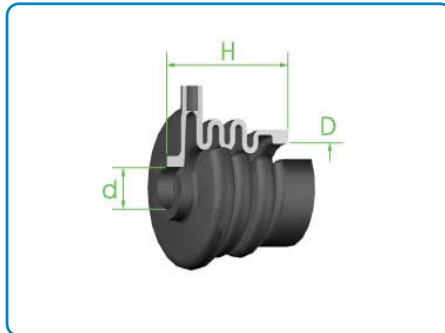
| Ref. | D | d | H |
|------------|------|------|----|
| 843 | 46,7 | 15,5 | 68 |

FIGURE 319



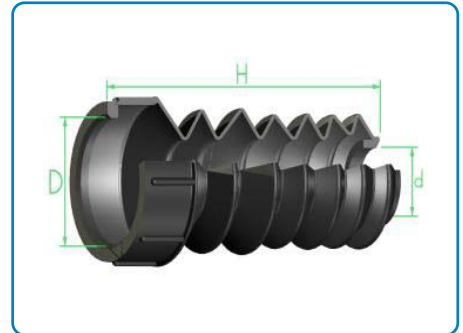
| Ref. | D | d | H |
|-------------|------|-----|------|
| 1857 | 29,4 | 6,5 | 48 |
| 2038 | 33 | 8,4 | 46,7 |

FIGURE 322



| Ref. | D | d | H |
|-------------|-------|------|------|
| 1859 | 16,25 | 7,85 | 26,7 |

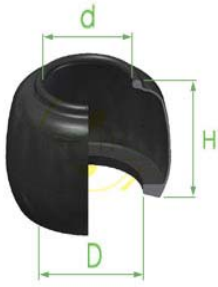
FIGURE 325



| Ref. | D | d | H |
|-------------|----|----|----|
| 2474 | 33 | 17 | 84 |

FIGURES

FIGURE 326



| Ref. | D | d | H |
|-------------|----|------|------|
| 8367 | 20 | 16,5 | 23,5 |

FIGURE 327



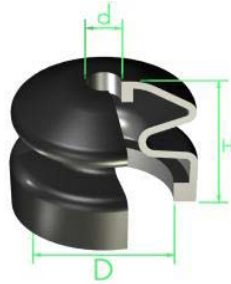
| Ref. | D | d | H |
|-------------|----|----|----|
| 1501 | 20 | 20 | 31 |

FIGURE 328



| Ref. | D | d | H |
|-------------|------|------|------|
| 2391 | 31,6 | 33,7 | 13,4 |

FIGURE 329



| Ref. | D | d | H |
|-------------|------|-----|----|
| 2472 | 23,5 | 5,4 | 23 |
| G-32 | 33,5 | 8 | 25 |

FIGURE 400



| Ref. | D | d | H |
|-------------|------|------|-------|
| 8051 | 34,8 | 22 | 11,3 |
| 1883 | 37,9 | 21,6 | 12,1 |
| 1531 | 38,3 | 21,5 | 11,9 |
| 1872 | 41,4 | 23,5 | 9,2 |
| 8210 | 42 | 25 | 11,5 |
| 1529 | 42,2 | 26,3 | 10,7 |
| 2448 | 44 | 28 | 13,8 |
| 2254 | 44,6 | 29,5 | 10,4 |
| 1509 | 45 | 29,9 | 11,1 |
| 1801 | 46,4 | 29 | 12 |
| 1897 | 47 | 32,3 | 11,45 |
| 2312 | 47,7 | 31,2 | 12 |
| 8358 | 48 | 30 | 11,5 |
| 2467 | 50 | 32,8 | 10,8 |
| 1890 | 50,5 | 34,7 | 11,4 |
| 2264 | 50,7 | 31,5 | 11,3 |
| 2064 | 50,7 | 32,1 | 11,8 |
| 2045 | 51 | 32 | 11,2 |
| 8359 | 52,5 | 31,7 | 11,2 |
| 2245 | 52,6 | 34,5 | 13,7 |
| 1894 | 52,8 | 36,2 | 11,1 |
| 2468 | 53,3 | 32,3 | 11,2 |
| 2449 | 54 | 36 | 11,2 |
| 1553 | 54,4 | 39 | 11,5 |
| 8130 | 55 | 34 | 12 |
| 879 | 55 | 36,6 | 11 |
| 2481 | 56 | 38,3 | 10 |

FIGURE 401



| Ref. | D | d | H |
|-------------|------|------|-------|
| 1544 | | | |
| 1870 | 37,6 | 21,5 | 9 |
| 2325 | 40,2 | 22,9 | 11 |
| 2361 | 41 | 22,8 | 12,4 |
| 8267 | 50 | 34,5 | 13,7 |
| 1528 | 52,8 | 34 | 13 |
| 8268 | 54 | 37 | 10,2 |
| 1838 | 55 | 36,5 | 12 |
| 896 | 55,6 | 37 | 12,5 |
| 2052 | 58,3 | 41 | 14,3 |
| 2402 | 58,7 | 45 | 8,7 |
| 2053 | 60,4 | 42,9 | 13,8 |
| 1829 | 60,4 | 44,3 | 11,4 |
| 891 | 61,3 | 43 | 10,7 |
| 2331 | 62 | 42 | 10 |
| 2069 | 63,4 | 45,7 | 13,85 |
| 1861 | 64 | 44,3 | 12,5 |

FIGURES

FIGURE 401 Cont.



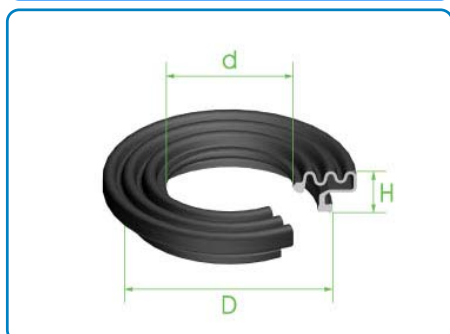
| Ref. | D | d | H |
|------|------|------|-------|
| 1819 | 65,3 | 45,5 | 12 |
| 2365 | 66,5 | 47,6 | 14 |
| 1822 | 66,8 | 49 | 14 |
| G-54 | 68,9 | 47 | 11,55 |

FIGURE 402



| Ref. | D | d | H |
|------|------|------|-----|
| 2278 | 61,4 | 39,8 | 8,3 |

FIGURE 403



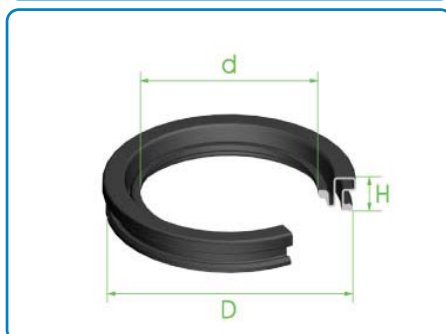
| Ref. | D | d | H |
|------|------|-------|------|
| 1842 | 44,2 | 24,5 | 9,3 |
| 2368 | 45,6 | 26,3 | 9,8 |
| 2363 | 47,4 | 30,7 | 10 |
| 1865 | 68,6 | 38,25 | 7,35 |
| G-22 | 74 | 53 | 11,5 |

FIGURE 404



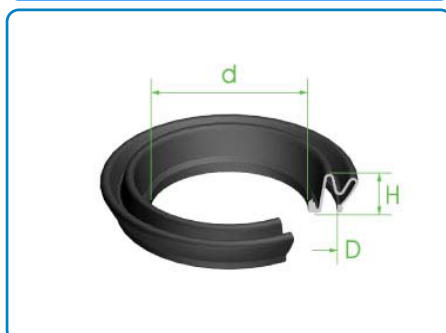
| Ref. | D | d | H |
|------|-------|-------|------|
| 2275 | 40,25 | 22,45 | 11,7 |
| 1808 | 46,6 | 28,9 | 11,7 |
| 878 | 60,8 | 41,3 | 10 |
| 2313 | 62 | 44,2 | 11,5 |
| 8355 | 65,5 | 50,7 | 11,5 |
| 1855 | 71,6 | 51,5 | 10,8 |

FIGURE 405



| Ref. | D | d | H |
|------|------|------|------|
| 1832 | 51,1 | 33,5 | 9,4 |
| 899 | 57,2 | 38,5 | 8,75 |
| 2060 | 66 | 47,5 | 9,8 |

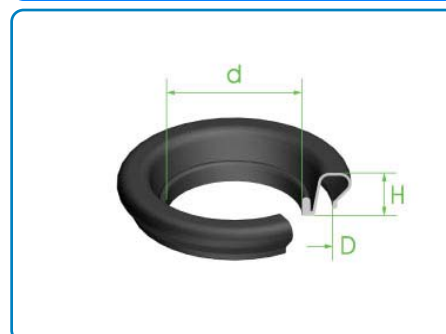
FIGURE 406



| Ref. | D | d | H |
|------|------|------|------|
| 2226 | 37,2 | 20,3 | 10 |
| 1597 | 40,2 | 23,1 | 10,8 |
| 2447 | 42 | 26 | 10 |
| 1896 | 44,7 | 27,1 | 10,5 |
| 1511 | 46,5 | 32,6 | 11,2 |
| 890 | 52,3 | 37 | 11,3 |

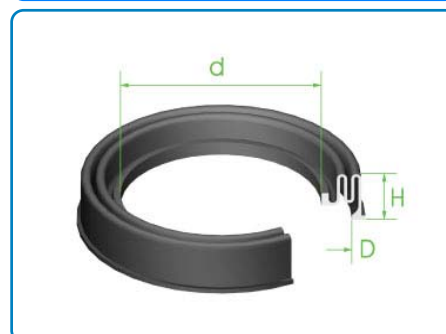
| | | | |
|------|----|------|------|
| 1811 | 58 | 43,5 | 11,2 |
| 1551 | 72 | 35,6 | 8,6 |

FIGURE 407



| Ref. | D | d | H |
|------|----|------|------|
| 1818 | 33 | 17,2 | 10,4 |

FIGURE 408



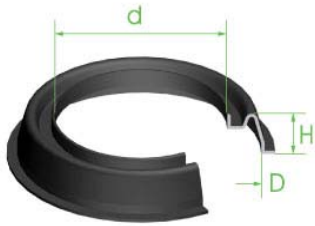
| Ref. | D | d | H |
|------|------|------|-------|
| 1541 | 33,8 | 23,8 | 10,4 |
| 1886 | 39,6 | 24,6 | 10 |
| 875 | 52,6 | 40,8 | 10,3 |
| 889 | 52,9 | 37,5 | 11,45 |
| 876 | 55 | 43,5 | 9,8 |
| 1845 | 64 | 48 | 10,3 |

FIGURE 409



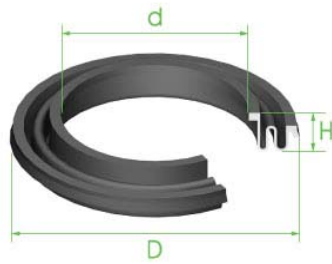
| Ref. | D | d | H |
|------|------|------|------|
| 877 | 46,7 | 31,6 | 14,5 |
| 1554 | 53,4 | 37,7 | 11,2 |
| 1519 | 58,5 | 44,7 | 11,4 |

FIGURE 410



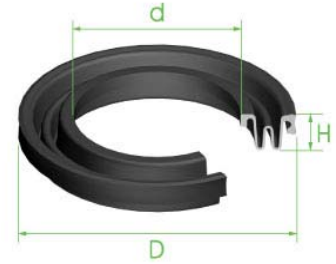
| Ref. | D | d | H |
|-------------|------|------|------|
| 2397 | 37,1 | 23,7 | 10,7 |
| 1549 | 43 | 37 | 7,5 |
| 784 | 51,7 | 34 | 9 |

FIGURE 413



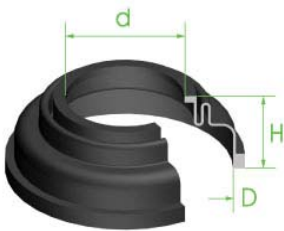
| Ref. | D | d | H |
|-------------|------|----|-----|
| 869 | 62,2 | 40 | 8,7 |
| 2370 | 63,7 | 38 | 10 |

FIGURE 415



| Ref. | D | d | H |
|-------------|------|------|-----|
| 1893 | 58,7 | 33,4 | 8,5 |
| 1823 | 66,2 | 36,5 | 8,8 |

FIGURE 411



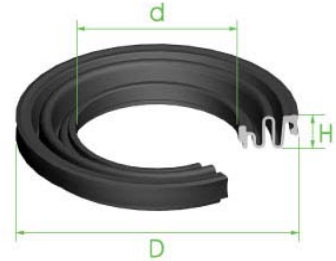
| Ref. | D | d | H |
|------------|------|----|----|
| 864 | 41,5 | 22 | 15 |
| 863 | 49,6 | 33 | 9 |

FIGURE 414



| Ref. | D | d | H |
|-------------|-------|------|-----|
| 8196 | 43,5 | 22 | 7 |
| 1595 | 44,3 | 23,2 | 6,3 |
| 2445 | 45 | 23 | 8 |
| 2239 | 52,3 | 29 | 9 |
| 1876 | 52,4 | 25,5 | 8,8 |
| 1821 | 52,5 | 29,3 | 7,7 |
| 8108 | 53,4 | 30,1 | 7 |
| 2399 | 57 | 33 | 5,5 |
| 2374 | 60 | 36 | 6 |
| 2306 | 61 | 39 | 7 |
| 8213 | 61,5 | 36 | 9 |
| 2027 | 62,9 | 41 | 7,5 |
| 1802 | 66,5 | 39,9 | 6,8 |
| 2238 | 72,1 | 42 | 7,3 |
| 1889 | 72,3 | 44,5 | 7,5 |
| 8133 | 73 | 73 | 7,5 |
| 2274 | 74,55 | 47,6 | 4,9 |
| 2268 | 81,1 | 52,1 | 6,4 |

FIGURE 416



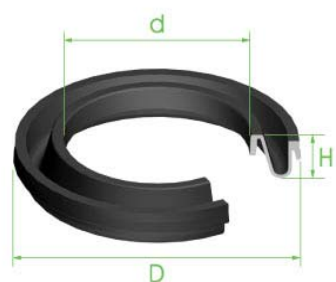
| Ref. | D | d | H |
|-------------|-------|------|------|
| 1812 | 46 | 22,1 | 10,2 |
| 2234 | 47,5 | 27 | 7 |
| 1530 | 58,7 | 36,8 | 8,1 |
| 2276 | 63,5 | 36,5 | 8,2 |
| 2066 | 65,43 | 42,9 | 7,15 |
| 1805 | 69,8 | 39,7 | 8,2 |

FIGURE 412



| Ref. | D | d | H |
|---------------|------|----|-----|
| 867 | 57,5 | 39 | 8,9 |
| 867.70 | 57,5 | 39 | 8,9 |

FIGURE 417



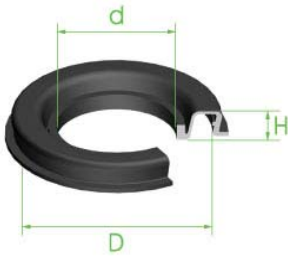
| Ref. | D | d | H |
|--------------|------|------|------|
| 1820 | 36 | 18,2 | 12,5 |
| 2323 | 40 | 19 | 8 |
| 782 | 43 | 20 | 8 |
| 861 | 46,2 | 25 | 8 |
| 861-A | 49,2 | 29 | 8,1 |
| 2266 | 54,5 | 29,7 | 10,6 |
| 868 | 57 | 36,5 | 9 |

FIGURE 417 Cont.



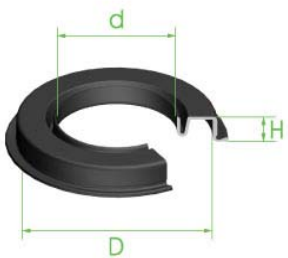
| Ref. | D | d | H |
|------|------|------|------|
| 862 | 57,3 | 39 | 8,5 |
| 2324 | 58 | 34,5 | 10,5 |
| 866 | 58,5 | 39 | 8,5 |

FIGURE 418



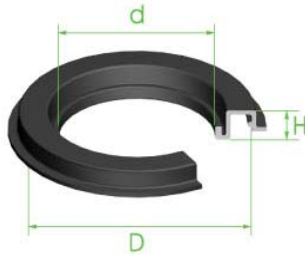
| Ref. | D | d | H |
|------|------|------|-----|
| 1831 | 49,1 | 37,6 | 5,8 |
| 2311 | 52 | 37 | 5,5 |
| 2295 | 59 | 37,9 | 6,4 |
| 2296 | 59,3 | 31,8 | 7,7 |
| 1556 | 61,5 | 43 | 5,8 |

FIGURE 419



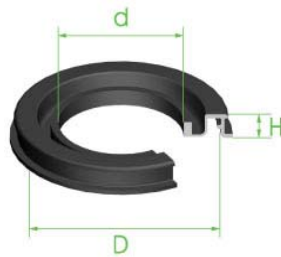
| Ref. | D | d | H |
|------|------|------|-----|
| 2318 | 41,2 | 23,8 | 6,8 |
| 2424 | 42 | 27,5 | 5,7 |
| 1555 | 43,4 | 27,2 | 6,1 |

FIGURE 420



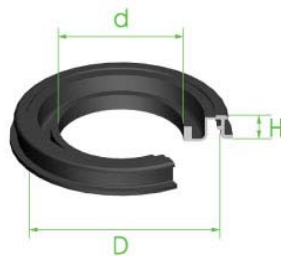
| Ref. | D | d | H |
|------|-------|------|-----|
| 1817 | 37,8 | 22 | 7,2 |
| 1527 | 43,55 | 25 | 7 |
| 2309 | 45,5 | 28 | 7,5 |
| 2319 | 45,6 | 28 | 8 |
| 8221 | 47 | 33 | 7 |
| 1559 | 48,1 | 33 | 7,2 |
| 2277 | 52,6 | 32,8 | 4,8 |
| 2301 | 52,9 | 35,2 | 6 |
| 1557 | 56,6 | 42,7 | 6,2 |
| 1592 | 59,6 | 47,1 | 6,9 |

FIGURE 421



| Ref. | D | d | H |
|------|------|------|-----|
| 2022 | 48,2 | 30 | 4,9 |
| 872 | 54,5 | 38,5 | 5 |

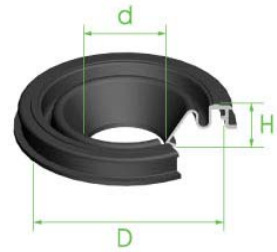
FIGURE 422



| Ref. | D | d | H |
|------|------|------|-----|
| 2401 | 44,5 | 30 | 6,6 |
| 2320 | 48,4 | 32,7 | 6 |
| 874 | 58,4 | 40,3 | 6,1 |

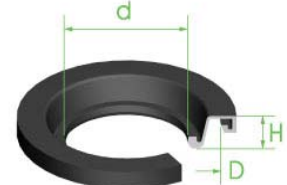
2321 59 43,5 6

FIGURE 423



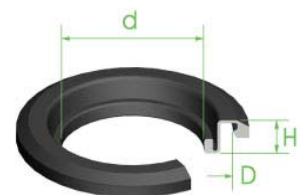
| Ref. | D | d | H |
|------|------|------|------|
| 2021 | 48,1 | 20,5 | 10,3 |

FIGURE 424



| Ref. | D | d | H |
|------|----|----|-----|
| 1826 | 45 | 30 | 6,8 |

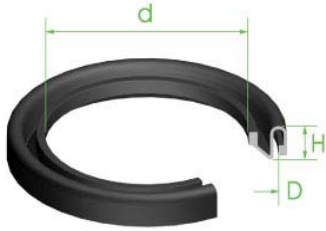
FIGURE 425



| Ref. | D | d | H |
|------|----|----|---|
| 1515 | 45 | 32 | 8 |

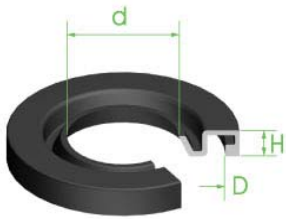
FIGURES

FIGURE 426



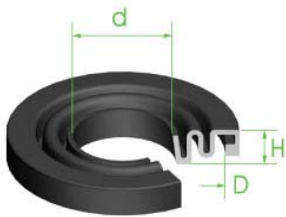
| Ref. | D | d | H |
|------|------|------|-----|
| 1828 | 41,5 | 28 | 8,5 |
| 1825 | 59,4 | 45,6 | 8,5 |
| 1827 | 62,1 | 48,5 | 8,8 |

FIGURE 427



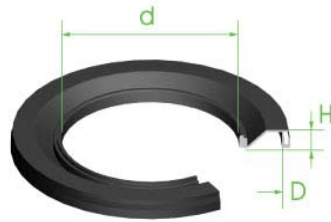
| Ref. | D | d | H |
|------|------|------|-----|
| 1824 | 50,3 | 36,5 | 5,6 |

FIGURE 428



| Ref. | D | d | H |
|-------|----|------|-----|
| 867-A | 51 | 35,6 | 7,3 |

FIGURE 429



| Ref. | D | d | H |
|---------|------|------|-----|
| 8178 | 34 | 19 | 6 |
| 8120 | 35,5 | 20 | 5,6 |
| 8187 | 37,5 | 21,2 | 6 |
| 8121 | 40 | 23,5 | 6 |
| 8122 | 41,5 | 25,5 | 6,5 |
| 8029 | 41,6 | 26 | 7 |
| G-23 | 42,5 | 26 | 7 |
| 2378 | 42,7 | 25,4 | 7,5 |
| 8154 | 43,7 | 27 | 6 |
| 1814 | 44 | 23,5 | 6,9 |
| 2387 | 44,5 | 26,3 | 6,4 |
| 8100 | 45,5 | 28 | 5,5 |
| 2499 | 45,5 | 29,2 | 5,8 |
| 2499.70 | 45,5 | 29,2 | 5,8 |
| 8153 | 47,6 | 30 | 6 |
| 8020 | 49,7 | 33 | 5,6 |
| 2065 | 50,6 | 26,5 | 6,6 |
| 8144 | 51,5 | 31,5 | 5,5 |
| 8215 | 51,5 | 35 | 6,5 |
| 8377 | 62,5 | 45,5 | 5,7 |
| 1571 | 63,8 | 44,3 | 6,5 |
| 2488 | 64,8 | 34 | 7 |
| 2450 | 66 | 43 | 5 |
| 1552 | 72,8 | 46,2 | 5 |

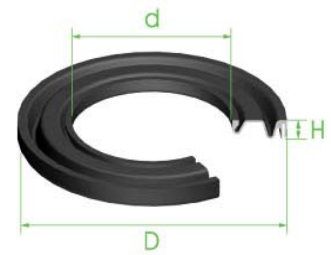
FIGURE 430



| Ref. | D | d | H |
|------|------|------|-----|
| 2333 | 41,1 | 23,2 | 5,3 |
| 8028 | 42,7 | 25,5 | 6 |
| 8093 | 44,5 | 27 | 6 |
| 8094 | 48,5 | 31,5 | 6 |
| 8127 | 50,5 | 32,6 | 5,5 |

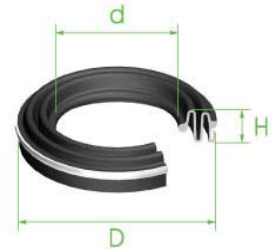
| | | | |
|------|------|------|-----|
| 2438 | 51,5 | 32,5 | 6 |
| 2305 | 52,7 | 33,7 | 4,8 |
| 2369 | 54,2 | 34 | 7,5 |
| 8085 | 55,2 | 34 | 4 |
| 1570 | 61,6 | 39 | 6 |
| 2020 | 67,7 | 41,7 | 6 |
| 2262 | 73,5 | 45,5 | 6 |
| 2206 | 75 | 36 | 8,9 |
| 2375 | 78,7 | 40,2 | 7,5 |

FIGURE 431



| Ref. | D | d | H |
|------|------|------|-----|
| 2486 | 52,8 | 24,3 | 5,5 |
| 870 | 61 | 36,7 | 4,7 |

FIGURE 432



| Ref. | D | d | H |
|------|------|------|------|
| 8149 | 55 | 33 | 14 |
| 8344 | 56,3 | 32 | 12 |
| 1806 | 61,2 | 36,5 | 10,6 |
| 8233 | 64,5 | 43 | 10,5 |
| 2463 | 65,5 | 39,5 | 12,5 |
| 2460 | 71,5 | 45 | 12 |
| 2096 | 76,6 | 55 | 9,8 |

FIGURES

FIGURE 433



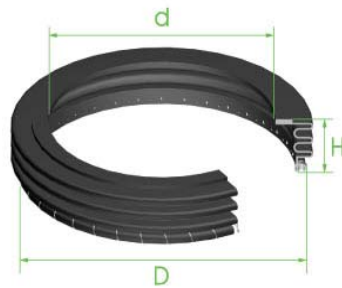
| | | | |
|------|------|------|------|
| 2461 | 66 | 45 | 14 |
| 2395 | 69 | 50 | 14 |
| 2261 | 75 | 48,2 | 12,2 |
| G-27 | 75,5 | 53 | 13,5 |
| 2258 | 83,5 | 53,5 | 12 |

FIGURE 435



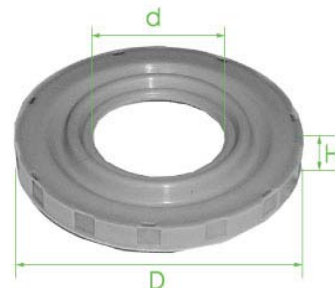
| | | | |
|------|------|------|-----|
| Ref. | D | d | H |
| 871 | 62,5 | 32,1 | 7,2 |
| 2063 | 69 | 38 | 7,2 |

FIGURE 436



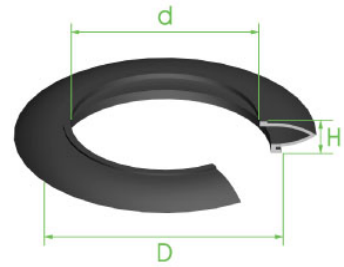
| | | | |
|------|----|------|------|
| Ref. | D | d | H |
| 1535 | 77 | 60,1 | 16,5 |

FIGURE 437



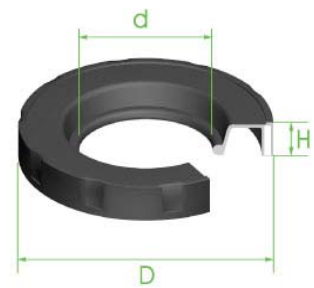
| | | | |
|------|----|----|-----|
| Ref. | D | d | H |
| 2298 | 70 | 34 | 8,5 |

FIGURE 438



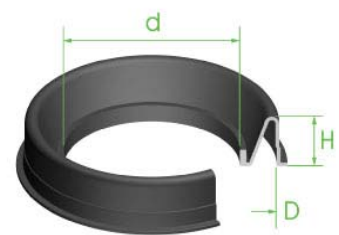
| | | | |
|------|------|------|------|
| Ref. | D | d | H |
| 2219 | 12,3 | 11,6 | 55,6 |
| 1856 | 43 | 34,8 | 10,5 |
| 8236 | 49 | 36 | 12 |
| 8164 | 60 | 40 | 6,8 |
| 8200 | 63,4 | 49,5 | 9,2 |

FIGURE 439



| | | | |
|------|----|------|-----|
| Ref. | D | d | H |
| 2209 | 59 | 31,9 | 7,8 |

FIGURE 440



| | | | |
|------|-------|-------|------|
| Ref. | D | d | H |
| 2441 | 34,5 | 24,4 | 11,5 |
| 8160 | 39,5 | 26 | 11 |
| 8052 | 39,5 | 26 | 11 |
| 8123 | 39,75 | 26,25 | 11 |
| 8058 | 48,5 | 34 | 11,3 |
| 2039 | 52 | 38 | 12 |
| 2267 | 55,5 | 41 | 11,5 |
| 2041 | 57 | 42 | 11 |

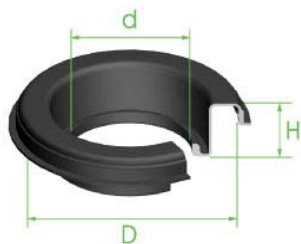
FIGURE 434



| | | | |
|------|------|------|------|
| Ref. | D | d | H |
| 2480 | 46,4 | 25,6 | 13 |
| 2431 | 47,5 | 27,4 | 12,2 |
| 8306 | 49,5 | 29 | 12,5 |
| 2377 | 51 | 30,8 | 13 |
| 8372 | 54 | 35,5 | 14 |
| 8023 | 55 | 35 | 13,4 |
| 2462 | 57 | 38 | 13,5 |
| 2464 | 59,7 | 37,5 | 9,8 |
| 2076 | 63,5 | 41,5 | 13,7 |

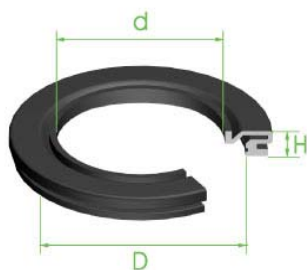
FIGURES

FIGURE 441



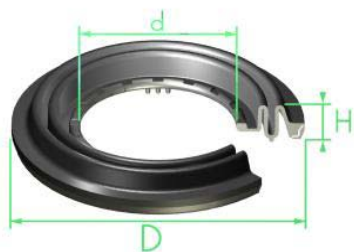
| Ref. | D | d | H |
|-------------|------|----|----|
| 2411 | 53,2 | 30 | 12 |
| 2419 | 55,5 | 38 | 12 |

FIGURE 442



| Ref. | D | d | H |
|-------------|------|----|-----|
| 2416 | 47,6 | 38 | 6 |
| 8083 | 49,5 | 34 | 5,5 |

FIGURE 443



| Ref. | D | d | H |
|-------------|------|------|-----|
| 2379 | 44 | 21 | 7,8 |
| 2436 | 59,7 | 31,7 | 8 |

FIGURE 444



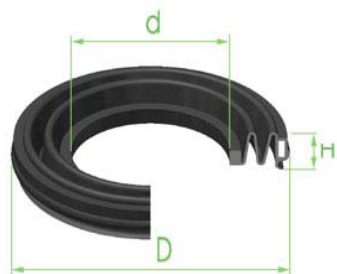
| Ref. | D | d | H |
|-------------|------|------|-----|
| 1594 | 49,2 | 33,3 | 6,6 |

FIGURE 445



| Ref. | D | d | H |
|-------------|------|------|------|
| 8074 | 58,9 | 37 | 13,3 |
| 8169 | 63,6 | 42,5 | 12,5 |
| 8134 | 70,5 | 50 | 10,5 |
| 8195 | 70,5 | 50 | 11 |
| 2432 | 70,7 | 50,6 | 9,2 |
| 8325 | 72,5 | 50,5 | 8,6 |

FIGURE 446



| Ref. | D | d | H |
|-------------|------|------|------|
| 8110 | 48,6 | 23,4 | 9,2 |
| 8191 | 49 | 23 | 9 |
| 8209 | 49,3 | 25,6 | 9,8 |
| 8265 | 52 | 25 | 9 |
| 8126 | 55 | 29 | 10,5 |
| 8266 | 56,5 | 30 | 9 |
| 8192 | 66 | 40 | 8,5 |
| 8219 | 71,5 | 45 | 8,5 |

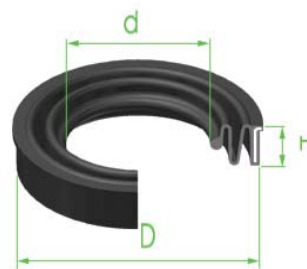
| | | | |
|-------------|------|----|---|
| 8107 | 73,5 | 44 | 9 |
| 8193 | 75,5 | 46 | 9 |

FIGURE 447



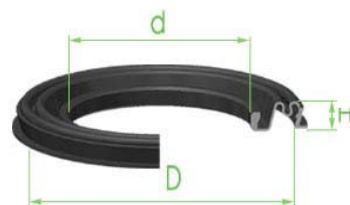
| Ref. | D | d | H |
|-------------|----|------|-----|
| 8095 | 40 | 34 | 10 |
| 8203 | 41 | 33,7 | 9,8 |

FIGURE 448



| Ref. | D | d | H |
|-------------|------|------|------|
| 8230 | 43,5 | 25,5 | 10,5 |
| 8188 | 45,5 | 26 | 10,8 |
| G-25 | 54,6 | 32,7 | 9 |
| 8207 | 58,6 | 37,3 | 9,5 |
| 8132 | 64 | 43,5 | 10,8 |
| 8222 | 73,7 | 50 | 9,7 |

FIGURE 449



| Ref. | D | d | H |
|-------------|------|------|-----|
| 8109 | 47 | 31,5 | 6,4 |
| 8112 | 49,5 | 33,5 | 5 |
| 8329 | 51 | 35,5 | 6 |
| 8206 | 56 | 40 | 5,5 |

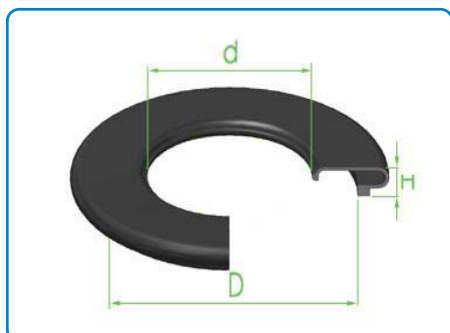
FIGURES

FIGURE 452



| Ref. | D | d | H |
|------|------|----|------|
| 8354 | 46,7 | 32 | 10,6 |
| 8356 | 62,2 | 48 | 10,5 |

FIGURE 453



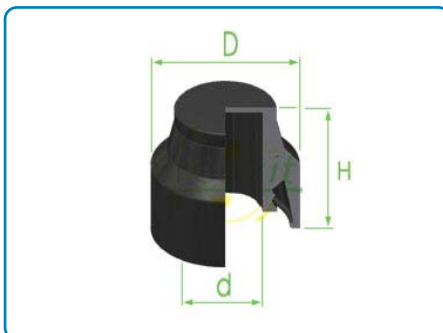
| Ref. | D | d | H |
|------|----|----|---|
| 8357 | 73 | 51 | 7 |

FIGURE 454



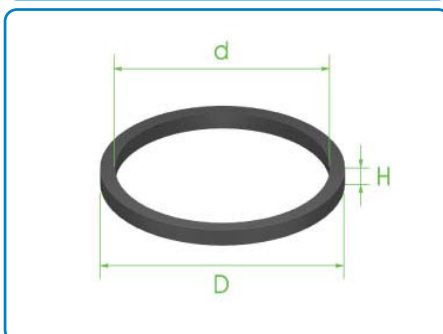
| Ref. | D | d | H |
|------|------|------|---|
| 8090 | 26,2 | 20,3 | 5 |
| 8350 | 27 | 20,3 | 5 |

FIGURE 455



| Ref. | D | d | H |
|------|------|------|------|
| 8362 | 24,8 | 12,2 | 21,2 |

FIGURE 500

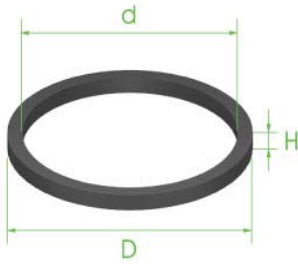


| Ref. | D | d | H |
|---------|-------|-------|------|
| 1923 | 10,4 | 5 | 2,15 |
| W-169 | 14 | 12 | 2 |
| W-108 | 18,5 | 15 | 2,5 |
| W-112 | 21 | 17 | 2,3 |
| 1941.70 | 26,7 | 20,3 | 2,5 |
| 1941 | 26,7 | 20,3 | 2,5 |
| 1925 | 28,4 | 23 | 2,75 |
| 1294 | 34,1 | 28,2 | 3,2 |
| 1276 | 34,45 | 29,45 | 2,5 |
| 698 | 35 | 29,9 | 2,5 |
| 698.70 | 35 | 29,9 | 2,5 |
| 1271 | 36,2 | 30,3 | 3,2 |
| C-687 | 36,9 | 31,9 | 2,5 |
| 1939.70 | 37,1 | 31,1 | 3,2 |
| 1939 | 37,1 | 31,1 | 3,2 |
| 1277.70 | 38 | 33 | 2,55 |
| 1277 | 38 | 33 | 2,55 |
| W-58 | 38,3 | 31,5 | 3,8 |
| 1916 | 38,45 | 32,45 | 3,2 |
| 1280 | 39,7 | 33,5 | 3,1 |
| W-96 | 39,7 | 33,6 | 3,2 |
| 1901 | 39,9 | 33,9 | 3,2 |
| 1295 | 40,5 | 34,5 | 3,2 |
| 1926.70 | 40,5 | 35,8 | 2,5 |
| 1926 | 40,5 | 35,8 | 2,5 |
| 546 | 41 | 35 | 3,4 |
| 1285 | 41,4 | 35,5 | 3,2 |
| 1293 | 41,8 | 29,7 | 3,2 |

| | | | |
|----------|-------|-------|------|
| W-9 | 42,15 | 37,5 | 3,2 |
| 1270 | 42,2 | 36,3 | 3 |
| 1900 | 43,3 | 37,4 | 3,2 |
| 546-A | 44 | 38 | 3,25 |
| 8069 | 44,5 | 24,5 | 2,5 |
| 8331 | 44,6 | 37,8 | 3,4 |
| 544-A | 44,6 | 37,8 | 3,8 |
| 1905 | 44,8 | 38,8 | 3,2 |
| 1935.70 | 44,8 | 39,8 | 2,5 |
| 1935 | 44,8 | 39,8 | 2,5 |
| 1904 | 44,8 | 39,8 | 3,2 |
| 1927 | 45 | 26,9 | 3 |
| 1921 | 45,7 | 39,5 | 3,2 |
| 1268 | 46,3 | 40,3 | 3 |
| 1268-A | 46,3 | 40,3 | 4,5 |
| 1268-E | 46,3 | 40,3 | 4,75 |
| 694.70 | 47 | 42 | 2,5 |
| 694 | 47 | 42 | 2,5 |
| 1914 | 47,4 | 41,5 | 3,2 |
| 1930 | 47,4 | 41,5 | 4,2 |
| 1267 | 48,8 | 42,8 | 3,3 |
| 1278 | 49,1 | 42,8 | 3,4 |
| 1297 | 49,15 | 43,15 | 3,1 |
| 1937 | 49,2 | 43,2 | 2,5 |
| 1937.70 | 49,2 | 43,2 | 2,5 |
| 1282 | 49,2 | 43,2 | 3,15 |
| 1262 | 50 | 44,7 | 2,5 |
| 696 | 50 | 44,8 | 2,5 |
| 696.70 | 50 | 44,8 | 2,5 |
| 1931 | 50 | 44,8 | 3,1 |
| W-135 | 50 | 45 | 2,5 |
| 1266 | 50,3 | 44,5 | 3,1 |
| 545 | 51,3 | 45,5 | 3,3 |
| 1298 | 51,5 | 45,5 | 3,2 |
| 1299 | 52,05 | 46,15 | 3,2 |
| 1929 | 52,05 | 46,15 | 3,8 |
| 8036 | 53,3 | 47 | 4,8 |
| 1903-A | 53,45 | 47,35 | 2,5 |
| 1903 | 53,45 | 47,35 | 3,2 |
| 547.70 | 54,1 | 48,1 | 3,2 |
| 547 | 54,1 | 48,1 | 3,2 |
| W-97 | 54,1 | 48,1 | 3,7 |
| 548 | 54,5 | 48,5 | 3,2 |
| 548.70 | 54,5 | 48,5 | 3,2 |
| 692 | 55 | 49 | 3,1 |
| W-118 | 55,2 | 49 | 3 |
| 1261 | 56,35 | 50,65 | 3,05 |
| 1279 | 56,9 | 51 | 3,2 |
| W-147 | 57,8 | 51,8 | 3,2 |
| 691 | 58 | 52 | 3,05 |
| 1291 | 58,3 | 52,3 | 3,2 |
| 1291.70 | 58,4 | 52,3 | 3,2 |
| 548-A | 58,4 | 52,4 | 3,2 |
| 548-A.70 | 58,4 | 52,4 | 3,2 |
| 1917 | 59,1 | 53,3 | 3,1 |
| 1902 | 59,1 | 53,3 | 3,2 |
| 549.70 | 60,1 | 54,1 | 3,2 |

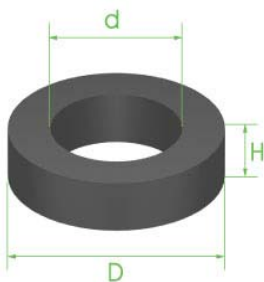
FIGURES

FIGURE 500 Cont.



| Ref. | D | d | H |
|----------|-------|-------|------|
| 549 | 60,1 | 54,1 | 3,2 |
| 549-B.70 | 61,3 | 55,3 | 3 |
| 549-B | 61,3 | 55,3 | 3 |
| 1290 | 61,3 | 55,3 | 3,2 |
| 1922 | 62,2 | 55,6 | 3,5 |
| 1907 | 62,4 | 56 | 3,2 |
| 1281 | 63,2 | 57,2 | 3,2 |
| 1281.70 | 63,2 | 57,2 | 3,2 |
| 1274 | 63,7 | 57,6 | 3,3 |
| 1272 | 64,55 | 58,45 | 3,2 |
| 1296 | 65,8 | 60 | 3,15 |
| 1296.70 | 65,8 | 60 | 3,15 |
| 1286 | 66,5 | 60,5 | 4 |
| 1265 | 66,8 | 61 | 3,15 |
| 1269 | 67,55 | 61,35 | 3 |
| 1915 | 68 | 62 | 3,2 |
| 1292 | 69,6 | 63,6 | 3,2 |
| 1288 | 69,8 | 63,7 | 4 |
| 1918 | 70,5 | 64,25 | 3,2 |
| 1936 | 72,5 | 66,5 | 3,2 |
| 1936.70 | 72,5 | 66,5 | 3,2 |
| 1913 | 72,6 | 66,6 | 3,1 |
| 1273 | 72,75 | 66,6 | 3,7 |
| 1264.70 | 74,4 | 68,6 | 3,15 |
| 1264 | 74,4 | 68,6 | 3,15 |
| 1940.70 | 81,8 | 75,5 | 3,2 |
| 1940 | 81,8 | 75,5 | 3,2 |

FIGURE 501

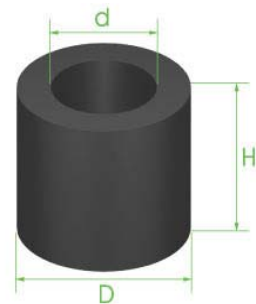


| Ref. | D | d | H |
|------|------|------|-----|
| 1289 | 10,3 | 6 | 2,2 |
| 1910 | 11 | 6,95 | 2 |

| | | | |
|---------|-------|-------|------|
| 1934 | 11,25 | 6,85 | 2 |
| 1934.70 | 11,25 | 6,85 | 2 |
| 1932 | 12,3 | 8,3 | 2 |
| W-52 | 12,35 | 8,65 | 2,15 |
| 81000 | 12,5 | 8,5 | 3 |
| 1911 | 12,7 | 7,7 | 2,2 |
| 1908 | 12,75 | 8 | 3 |
| 81001 | 13,8 | 9,1 | 1,6 |
| C-742 | 14,5 | 4 | 4 |
| 1909 | 15,2 | 10 | 3,2 |
| 1938.70 | 15,3 | 8,6 | 2,6 |
| 1938 | 15,3 | 8,6 | 2,6 |
| 81002 | 15,5 | 10,7 | 3 |
| 3 | 15,8 | 3,25 | 0,75 |
| 3.70 | 15,8 | 3,25 | 0,75 |
| 1283 | 15,8 | 12,4 | 1,7 |
| C-721 | 16 | 3 | 1,5 |
| 81020 | 16,8 | 6,5 | 3 |
| 6.70 | 16,9 | 6,8 | 3 |
| 6 | 16,9 | 6,8 | 3 |
| 81018 | 17,5 | 12,5 | 2 |
| 81003 | 17,5 | 13 | 2 |
| 799-A | 17,5 | 13,25 | 2,3 |
| W-49 | 18 | 8 | 4 |
| W-42 | 19 | 10,25 | 2 |
| 1284 | 19 | 15,6 | 1,7 |
| 1912 | 19,25 | 14,95 | 2,25 |
| W-43 | 20 | 12 | 3 |
| 11 | 20,8 | | 2,4 |
| 81019 | 21 | 12 | 4,8 |
| W-75 | 21,3 | 7,8 | 2,7 |
| 8092 | 21,4 | 12,6 | 4,75 |
| 81004 | 23 | 17 | 3 |
| 1275 | 23,5 | 19,6 | 3,4 |
| 81026 | 24 | 13 | 4 |
| 81017 | 24,3 | 18 | 3,6 |
| W-48 | 24,4 | 18,2 | 3,5 |
| 81006 | 24,5 | 18 | 3,8 |
| W-68 | 24,6 | 7,75 | 2,5 |
| W-68.70 | 24,6 | 7,75 | 2,5 |
| 1928 | 25,6 | 21,8 | 2,5 |
| 542 | 25,8 | 13,5 | 6,2 |
| 1287 | 26 | 19,6 | 5,7 |
| 81007 | 26,5 | 20,5 | 4,5 |
| 81016 | 26,7 | 20,3 | 2,6 |
| W-85 | 28 | 24 | 4 |
| W-69 | 30 | 8,4 | 2,7 |
| 81005 | 30,4 | 17,4 | 4,7 |
| 1906 | 31,5 | 27,8 | 5 |
| 81010 | 31,7 | 27,9 | 4,9 |
| W-115 | 33 | 23 | 2,5 |
| W-46 | 33 | 27,5 | 3 |
| W-54 | 33 | 28 | 3 |
| W-54.70 | 33 | 28 | 3 |
| C-720 | 36,5 | 22 | 1,7 |
| C-732 | 39 | 29 | 2,5 |
| 81012 | 39 | 31 | 2,5 |

| | | | |
|--------|-------|------|------|
| W-35 | 39 | 31 | 2,5 |
| 81011 | 41,5 | 28,5 | 2,4 |
| 81009 | 42,5 | 26 | 3,2 |
| 81008 | 42,8 | 24,3 | 2 |
| 8174 | 43 | 20,4 | 3,8 |
| W-134 | 43 | 25 | 2 |
| W-53 | 44 | 36 | 5 |
| 697-A | 50 | 39 | 2,5 |
| 797-A | 50 | 39 | 2,5 |
| 81023 | 50,8 | 41,6 | 1,6 |
| 81015 | 54,4 | 47 | 2,5 |
| 8175 | 55 | 36 | 3,9 |
| C-887 | 55 | 36,9 | 3 |
| 81014 | 55,9 | 52,6 | 1,6 |
| 8185 | 58 | 41 | 2,9 |
| 8180 | 58 | 42 | 2,8 |
| 81025 | 60 | 48 | 2,5 |
| 81024 | 63,3 | 43,3 | 2,3 |
| 81013 | 63,3 | 43,3 | 2,3 |
| W-87 | 73 | 66 | 3,5 |
| 793 | 78,75 | 8 | 1,75 |
| 793.70 | 78,75 | 8 | 1,75 |

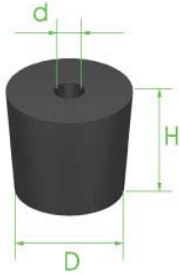
FIGURE 502



| Ref. | D | d | H |
|--------|------|------|------|
| 798.70 | 6 | 3,5 | 11 |
| W-110 | 6 | 3,5 | 11 |
| 798 | 6 | 3,5 | 11 |
| 797 | 7 | 4,5 | 11 |
| 797.70 | 7 | 4,5 | 11 |
| 8297 | 7,8 | 12,7 | 13,4 |
| 796-B | 9,8 | 5,5 | 10 |
| 796 | 10,3 | 6,7 | 7,6 |
| 796.70 | 10,3 | 6,7 | 7,6 |
| W-111 | 10,5 | 5 | 28,5 |
| 796-A | 12 | 5 | 28,5 |
| 2310 | 13,3 | 10 | 26 |
| W-50 | 40 | 37 | 13 |

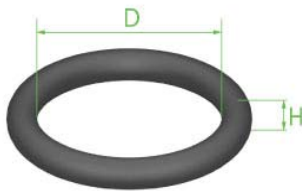
FIGURES

FIGURE 503



| Ref. | D | d | H |
|--------|------|-----|------|
| 1701 | 10,1 | 2,5 | 8,4 |
| 4002/9 | 35 | 14 | 14,8 |

FIGURE 504



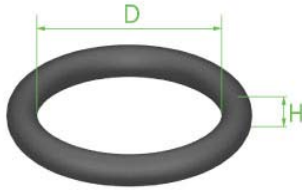
| Ref. | D | d | H |
|----------|------|------|------|
| 80000 | 3,7 | | 1,8 |
| 80001.70 | 3,8 | | 3 |
| 80002 | 4,5 | | 1,8 |
| C-635 | 4,55 | 0,85 | 1,85 |
| 80003 | 4,9 | | 1,9 |
| 80004 | 5,2 | | 1,8 |
| 80005 | 5,5 | | 1,7 |
| 80006 | 5,9 | | 1 |
| 80007.70 | 6 | | 2 |
| 80095.70 | 6 | | 2 |
| 80104.70 | 6,07 | | 1,78 |
| 80009 | 7 | | 1,6 |
| 80044.70 | 7 | | 2 |
| 80008 | 7 | | 2 |
| 80010.70 | 7,2 | | 2 |
| 80086 | 8 | | 1,75 |
| 80011 | 8 | | 2 |
| C-824 | 8 | 4 | 2 |
| 979 | 9 | 4 | 2,5 |
| 80014.70 | 9,5 | | 2 |
| 80079 | 9,6 | | 2,4 |
| 80015 | 10 | | 2 |
| 80016 | 10 | | 2,5 |
| 968-C | 10 | 8,5 | 0,75 |
| 80017.70 | 10,5 | | 2,7 |
| 982 | 10,5 | 7 | 1,8 |
| 80018.70 | 10,7 | | 2,6 |

| | | | |
|----------|-------|-------|------|
| 80037 | 10,7 | | 2,6 |
| 80019 | 10,8 | | 1,8 |
| 80022.70 | 11 | | 1,8 |
| 80023 | 11 | | 2 |
| 534 | 11 | 7 | 2 |
| 534.70 | 11 | 7 | 2 |
| 80108 | 11,21 | | 1,78 |
| 80082 | 11,22 | | 1,78 |
| 80024 | 11,5 | | 2,4 |
| 960-W | 11,5 | 8 | 1,5 |
| 80025 | 11,9 | | 2,6 |
| 80106 | 12 | | 1,5 |
| 80026.70 | 12 | | 2 |
| 80096 | 12,37 | | 2,62 |
| 80027 | 12,37 | | 2,62 |
| 80028.70 | 12,4 | | 1,8 |
| 80029.70 | 12,6 | | 2,7 |
| 850-C.70 | 12,7 | | 2,65 |
| 850-C | 12,7 | | 2,65 |
| 80073 | 13 | | 2 |
| 980 | 13 | 5 | 5 |
| 988 | 13 | 10 | 1,5 |
| C-728 | 13,5 | 9 | 2,25 |
| 80087 | 13,6 | | 2,5 |
| 8205 | 13,95 | | 2,6 |
| 80030 | 14 | | 2 |
| 80032.70 | 14 | | 2,5 |
| C-6036 | 14 | 9 | 2,5 |
| 80033.70 | 15 | | 2,8 |
| 966-W | 15 | 9,5 | 2,75 |
| 961 | 15 | 12 | 1,25 |
| C-715 | 15,5 | 10,26 | 2,62 |
| 80034 | 15,6 | | 1,8 |
| 4001/3 | 15,75 | 10,5 | 2,6 |
| 80089 | 15,8 | | 2,7 |
| 850 | 16,01 | 10,77 | 2,62 |
| 80088.70 | 16,7 | | 1,9 |
| 850-BM | 16,7 | | 2 |
| 80035 | 17 | | 1,8 |
| 80036.70 | 17 | | 2,5 |
| 80038.70 | 17 | | 3,5 |
| 80107 | 17,8 | | 2,65 |
| C-40 | 18 | 12 | 3 |
| 80097 | 18,6 | | 3,5 |
| 80039 | 18,6 | | 3,5 |
| 80040.70 | 18,8 | | 3,8 |
| 850-B | 19 | | 1,8 |
| 850-B.70 | 19 | | 1,8 |
| 80090.70 | 19 | | 2,5 |
| 80041 | 19 | | 2,5 |
| 80042 | 20 | | 2 |
| 80043 | 20 | | 3 |
| 962 | 20 | 14 | 3 |
| 850-A.70 | 20,7 | 16,7 | 2 |
| 850-A | 20,7 | 16,7 | 2 |
| 80074 | 21 | | 3 |
| 963 | 21 | 15,5 | 2,75 |

| | | | |
|----------|-------|-------|------|
| 80091 | 21,3 | | 3,6 |
| 80045.70 | 22 | | 1,5 |
| 851 | 22 | | 2,75 |
| 964 | 22 | 17 | 1,25 |
| 80084 | 22,37 | | 2,62 |
| C-322 | 22,37 | 17,13 | 2,62 |
| 80046.70 | 23,3 | | 3,7 |
| 80047.70 | 23,5 | | 2,5 |
| 80081 | 24 | | 2 |
| 80048.70 | 24,5 | | 3,6 |
| 984 | 24,5 | 18,5 | 3,2 |
| 80049 | 25 | | 2 |
| 4002/1 | 25,4 | 20,3 | 2,55 |
| 987 | 25,5 | 19,5 | 3 |
| 2584-R | 25,8 | | 3,5 |
| 80050.70 | 26 | | 2,5 |
| C-602 | 26 | 21 | 2,5 |
| 80053 | 26,3 | | 1,8 |
| 80051.70 | 26,3 | | 1,8 |
| 80052 | 26,5 | | 2,4 |
| 851.70 | 27,5 | 22 | 2,75 |
| 80092.70 | 27,7 | | 3 |
| 80054 | 28 | | 2 |
| 4001/2 | 28,4 | 21,2 | 3,6 |
| 972 | 29 | 8 | 10,5 |
| 80055 | 29,8 | | 3,5 |
| 80056 | 30 | | 2 |
| 80057 | 30 | | 2,5 |
| C-735 | 30,45 | 23,39 | 3,53 |
| 80058 | 31 | | 2 |
| 80058.70 | 31 | | 2 |
| 4002/2 | 31 | 25,1 | 2,95 |
| 80059 | 32 | | 2,5 |
| 80060.70 | 32 | | 4 |
| 80093.70 | 32,7 | | 2 |
| 80061 | 34 | | 2 |
| 2410 | 35 | | 3 |
| 4000/5 | 35 | 29,8 | 2,6 |
| 80094.70 | 35,3 | | 2,7 |
| 80083 | 35,5 | | 2,5 |
| 80076 | 35,6 | | 3,6 |
| 80105 | 36 | | 2,5 |
| C-736 | 36 | 31 | 2,5 |
| 2476 | 36,5 | | 2,7 |
| 80062 | 36,9 | | 3,55 |
| 80077 | 37,4 | | 1,8 |
| 80063.70 | 37,5 | | 2,4 |
| 4002/3 | 38 | 32,1 | 2,95 |
| C-915 | 38 | 34 | 2 |
| 965 | 39 | 32 | 3,5 |
| 80064.70 | 40 | | 3 |
| 80065.70 | 40 | | 3,5 |
| 80066.70 | 41 | | 2,5 |
| 80067.70 | 41,5 | | 2,5 |
| 80068.70 | 41,5 | | 3,5 |
| 80070.70 | 42 | | 1,5 |
| 80071.70 | 43 | | 2,6 |

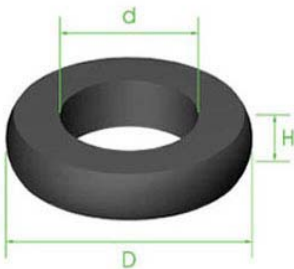
FIGURES

FIGURE 504 Cont.



| Ref. | D | d | H |
|----------|-------|-------|------|
| 4002/4 | 44 | 36,9 | 3,55 |
| 852 | 44 | 37 | 3,5 |
| 852.70 | 44 | 37 | 3,5 |
| 80085 | 45 | | 2 |
| 80072.70 | 45 | | 2 |
| 80081.70 | 45 | | 3 |
| 966 | 45 | 38 | 3,5 |
| 80078 | 45,7 | | 2,6 |
| 967 | 48 | 37 | 5,5 |
| 80100.70 | 49 | | 2,5 |
| C-722 | 50,2 | 44,2 | 3 |
| 80080.70 | 54 | | 3,5 |
| 970 | 55 | 45 | 5 |
| 4000/4 | 56,4 | 49,4 | 3,5 |
| 4002/5 | 60 | 54 | 3 |
| 4000/3 | 61,1 | 57,1 | 2 |
| 971 | 65 | 55 | 5 |
| 4002/6 | 70,6 | 64,7 | 2,95 |
| 4000/2 | 89,1 | 82,1 | 3,5 |
| 968 | 93 | 82 | 5,5 |
| 4000/1 | 93,8 | 88,6 | 2,6 |
| 4002/7 | 105,9 | 100 | 2,95 |
| 4002/8 | 114,5 | 108,5 | 2,95 |
| 969 | 120 | 110 | 5 |
| 969-A | 148 | 140 | 4 |
| C-868 | 204,4 | 197 | 3,7 |
| 969-B | 246 | 240 | 3 |

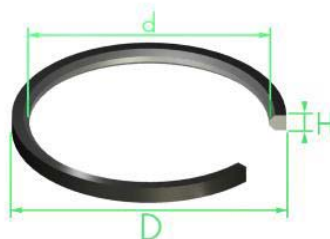
FIGURE 505



| Ref. | D | d | H |
|------|-------|-----|-----|
| 8248 | 13,25 | 4,8 | 3,6 |
| 2072 | 13,4 | 10 | 2,8 |

| | | | |
|---------|-------|-------|------|
| 536-A | 15,53 | 9 | 3,55 |
| 537 | 17,58 | 11 | 3,6 |
| 539-A | 18,7 | 11 | 4 |
| 539.70 | 19,8 | 11,45 | 4 |
| 539 | 19,8 | 11,45 | 4 |
| 1403 | 20,28 | 12,45 | 4 |
| 1601 | 20,95 | 10,5 | 4 |
| 1601.70 | 20,95 | 10,5 | 4 |
| 541-A | 21,7 | 14,5 | 5 |
| 541 | 22,5 | 14,6 | 5 |
| 541.70 | 22,5 | 14,6 | 5 |
| 8082 | 23,8 | 14,9 | 5,8 |
| 1404.70 | 24,3 | 15,8 | 4,9 |
| 1404 | 24,3 | 15,8 | 4,9 |
| W-73 | 25,75 | 12,7 | 4,75 |
| 540.70 | 26,35 | 16,85 | 6 |
| 540 | 26,35 | 16,85 | 6 |
| W-74 | 27,3 | 14,3 | 4,75 |
| 1218.70 | 27,75 | 17 | 6 |
| 1218 | 27,75 | 17 | 6 |
| 540-W | 29 | 19 | 6 |
| W-71.70 | 30,5 | 17,5 | 4,8 |
| W-71 | 30,5 | 17,5 | 4,8 |
| 544 | 32,5 | 20 | 7 |
| 544.70 | 32,5 | 20 | 7 |
| 8080 | 35 | 20,5 | 7,6 |
| W-72 | 36,75 | 17,5 | 4,75 |
| 1219 | 38,5 | 23 | 8 |
| 1219.70 | 38,5 | 23 | 8 |
| 8026 | 40 | 24 | 8 |
| 1400 | 44,8 | 29,2 | 8,05 |
| 1400.70 | 44,8 | 29,2 | 8,05 |
| W-106 | 45,2 | 31 | 9,7 |
| 631-A | 45,2 | 32,25 | 9,4 |
| 1477 | 50,8 | 33 | 9,8 |
| 1478 | 57,15 | 38,5 | 8,9 |
| 8075.70 | 130,4 | 123 | 4,95 |
| 8075 | 130,4 | 123 | 4,95 |
| C-888 | 160,5 | 150,5 | 7,8 |

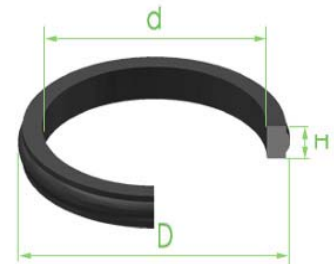
FIGURE 506



| Ref. | D | d | H |
|------|------|------|-----|
| 543 | 20 | 13,7 | 3,7 |
| 1683 | 25,5 | 19 | 2,7 |
| 1933 | 56 | 49 | 3,5 |

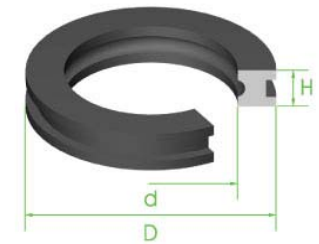
| | | | |
|------|------|------|-----|
| 1924 | 72,1 | 64,1 | 4,1 |
|------|------|------|-----|

FIGURE 507



| Ref. | D | d | H |
|-------|------|-------|-----|
| C-829 | 30,5 | 21,7 | 5,5 |
| 8239 | 39 | 35,7 | 2,5 |
| 8089 | 39,2 | 35,65 | 2,5 |
| 8118 | 39,2 | 35,65 | 2,5 |

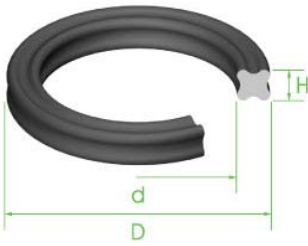
FIGURE 508



| Ref. | D | d | H |
|-------|-------|------|------|
| 2148 | 7,9 | 4 | 1,9 |
| W-10 | 9 | 4,2 | 2,7 |
| W-11 | 11,65 | 6,5 | 2,85 |
| 681-B | 11,95 | 7,3 | 2,7 |
| 8163 | 12,5 | 11,5 | 2,8 |
| 681 | 13,4 | 8,6 | 2,8 |
| W-8 | 15,7 | 11,2 | 2,6 |
| 1769 | 15,83 | 9,45 | 2,6 |
| 681-A | 15,95 | 11,3 | 2,6 |
| 8076 | 16,8 | 9,5 | 3 |
| W-66 | 17,22 | 11,1 | 3,17 |
| 681-C | 17,9 | 13,5 | 2,75 |
| W-61 | 18,4 | 11,5 | 5 |
| 8162 | 18,5 | 12 | 2,9 |
| 952 | 19 | 13,4 | 2,8 |
| 536 | 19,05 | 13 | 3 |
| 683 | 19,88 | 12,1 | 5,6 |
| 682-A | 23 | 14,4 | 5,9 |
| 683-A | 25,43 | 16 | 4 |
| 1252 | 28,75 | 14 | 5,8 |
| C-864 | 30 | 21,5 | 6,5 |
| W-63 | 37,25 | 28,5 | 3,2 |
| W-51 | 38,7 | 33 | 4,4 |

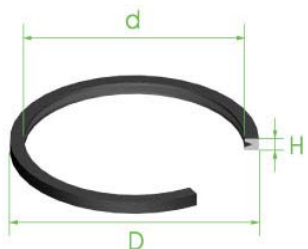
FIGURES

FIGURE 509



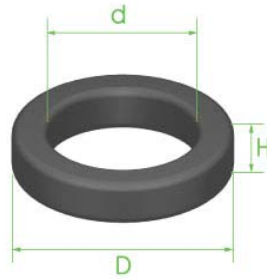
| Ref. | D | d | H |
|---------|-------|-------|------|
| 2427 | 18,1 | 12,5 | 3 |
| 8022 | 19,2 | 13 | 4 |
| 1642.70 | 19,4 | 13,95 | 3,4 |
| 1642 | 19,4 | 14,65 | 3,4 |
| 1385 | 19,65 | 14,15 | 2,75 |
| 1386 | 21,2 | 15,7 | 2,75 |
| 8364 | 26,5 | 25,6 | 5,6 |
| 594.70 | 37,35 | 30,3 | 3,75 |
| 594 | 37,35 | 30,3 | 3,75 |
| 1738 | 43,8 | 36,7 | 3,6 |

FIGURE 510



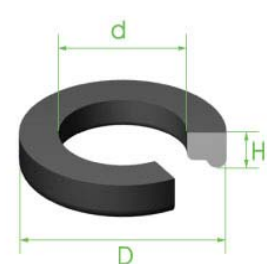
| Ref. | D | d | H |
|--------|-------|------|------|
| 699 | 36 | 30 | 3 |
| 1579 | 39 | 33 | 3 |
| 2396 | 41,7 | 35,7 | 3 |
| 1543 | 41,95 | 36,2 | 2,5 |
| 1881 | 46,2 | 40 | 2,9 |
| 1514 | 47,2 | 41,7 | 2,5 |
| 695 | 48,5 | 42,4 | 3 |
| 695.70 | 48,5 | 42,4 | 3 |
| 8150 | 50,5 | 44,5 | 2,5 |
| 697 | 51 | 45 | 3 |
| 1263 | 51 | 45 | 3 |
| 697.70 | 51 | 45 | 3 |
| 1815 | 52,75 | 47,2 | 2,5 |
| 1880 | 52,8 | 47,2 | 2,5 |
| 690 | 58,7 | 51,7 | 3,8 |
| 1573 | 62 | 55 | 3,75 |
| 1534 | 65,4 | 58,4 | 3,75 |

FIGURE 511



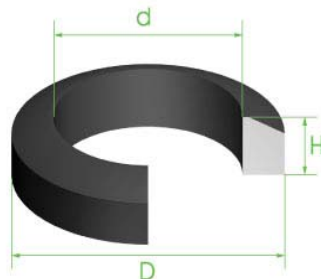
| Ref. | D | d | H |
|-------|------|-------|------|
| W-148 | 13,7 | 10 | 2,7 |
| 1919 | 14,9 | 11,6 | 2 |
| W-149 | 16,8 | 12,6 | 2,7 |
| 1920 | 20,1 | 16,85 | 2,35 |

FIGURE 512



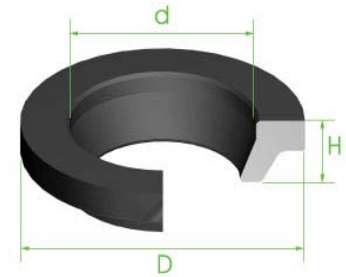
| Ref. | D | d | H |
|-------|------|-----|-----|
| W-26 | 9,3 | 3,9 | 5 |
| W-133 | 9,5 | 3 | 4,3 |
| 8061 | 11,6 | 5 | 4,1 |
| 2033 | 12,6 | 7,8 | 2,3 |
| 1628 | 12,6 | 8 | 2,4 |
| W-44 | 14,2 | 7,8 | 3,8 |
| W-45 | 17,7 | 10 | 4,5 |

FIGURE 513



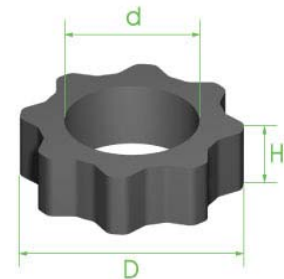
| Ref. | D | d | H |
|------|------|----|-----|
| 2068 | 20,2 | 14 | 4,9 |

FIGURE 514



| Ref. | D | d | H |
|------|------|------|-----|
| 1566 | 25,4 | 14,6 | 4,5 |

FIGURE 515



| Ref. | D | d | H |
|------|-----|-----|-----|
| 2091 | 8 | 4,8 | 2,2 |
| 8146 | 9,9 | 7 | 2,2 |
| 2241 | 10 | 6,7 | 2,3 |

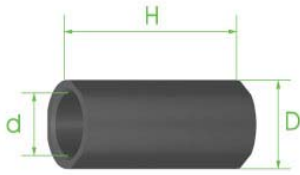
FIGURE 516



| Ref. | D | d | H |
|------|------|------|------|
| 2429 | 10 | 7 | 18 |
| 8189 | 12 | 8,5 | 18,2 |
| 8264 | 17,8 | 14,5 | 12,5 |

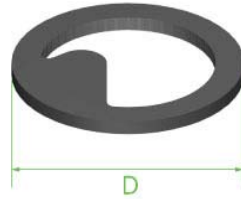
FIGURES

FIGURE 517



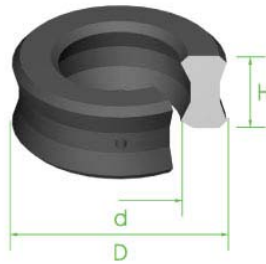
| | | | |
|-------|------|-----|-----|
| 82002 | 10 | 6,5 | |
| 8202 | 10 | 6,5 | 9,3 |
| 2349 | 10,5 | 6 | 7,8 |
| 2455 | 10,5 | 6 | 10 |
| 2351 | 11,4 | 8,8 | 4,8 |

FIGURE 520



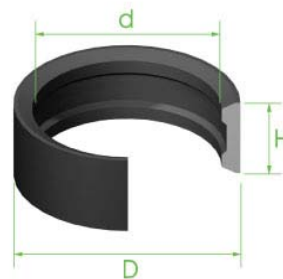
| Ref. | D | d | H |
|------|-------|----|------|
| 1839 | 17,15 | 13 | 1,25 |

FIGURE 521



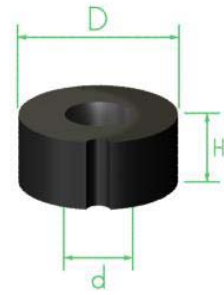
| Ref. | D | d | H |
|------|-------|------|-------|
| 2141 | 7,78 | 5,13 | 1,8 |
| 1238 | 25,35 | 13 | 10 |
| 1246 | 28,4 | 15,9 | 10,15 |

FIGURE 522



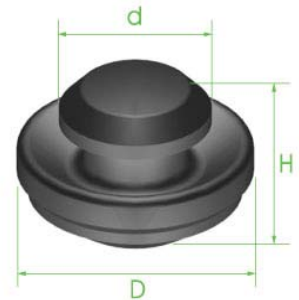
| Ref. | D | d | H |
|-------|------|------|------|
| 2233 | 35 | 29 | 11,5 |
| 1809 | 38,5 | 32,7 | 12,4 |
| C-863 | 43 | 40 | 18,5 |

FIGURE 523



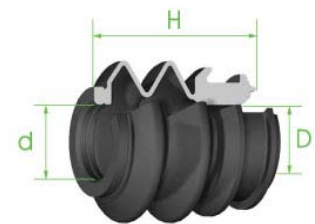
| Ref. | D | d | H |
|-------|------|------|------|
| W-107 | 12,4 | 6,5 | 6,85 |
| W-170 | 13,4 | 5,7 | 4,5 |
| 792 | 13,4 | 5,7 | 5,8 |
| W-77 | 28,4 | 14,3 | 4,8 |

FIGURE 600



| Ref. | D | d | H |
|------|----|---|-----|
| 2315 | 11 | 7 | 6,5 |

FIGURE 601



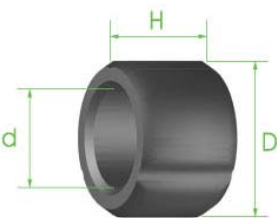
| Ref. | D | d | H |
|------|------|------|------|
| 2442 | 8 | 11,5 | 28,5 |
| 2458 | 9,5 | 10,5 | 27 |
| 8242 | 9,5 | 11 | 21,5 |
| 8137 | 9,9 | 12 | 28,5 |
| 8243 | 10 | 12 | 19,5 |
| 2348 | 10,3 | 10,5 | 27 |
| 8260 | 10,5 | 13 | 28,5 |
| 8140 | 10,5 | 13 | 35 |
| 2428 | 10,8 | 11,8 | 37 |
| 2420 | 11,1 | 7,1 | 29,2 |

FIGURE 518



| Ref. | D | d | H |
|------|------|------|------|
| 8204 | 8,5 | 5,8 | 22,7 |
| 8151 | 9,5 | 7 | 19 |
| 2227 | 9,65 | 7,05 | 18,3 |
| 8201 | 10 | 7 | 20 |
| 8226 | 10,7 | 8 | 21,5 |
| 8062 | 11 | 6 | 18,6 |
| 8261 | 12 | 6,5 | 18 |
| 8375 | 13,5 | 10 | 26 |

FIGURE 519



| Ref. | D | d | H |
|------|------|------|-------|
| 2229 | 7,9 | 7,05 | 11,15 |
| 2232 | 8,75 | 4,55 | 7,9 |
| 8304 | 8,8 | 6,1 | 4,8 |
| 8241 | 10 | 6 | 9 |

FIGURE 601 Cont.



| Ref. | D | d | H |
|------|------|------|------|
| 8251 | 11,5 | 13,5 | 28,5 |
| 8190 | 11,5 | 13,5 | 37 |
| 8115 | 11,8 | 9,7 | 27 |
| 2271 | 16,9 | 8 | 28 |

FIGURE 602



| Ref. | D | d | H |
|------|------|------|------|
| 2383 | 13,6 | 9,3 | 18,3 |
| 1851 | 14,5 | 9,65 | 22,4 |
| 2269 | 16,4 | 11,3 | 22,5 |

FIGURE 603



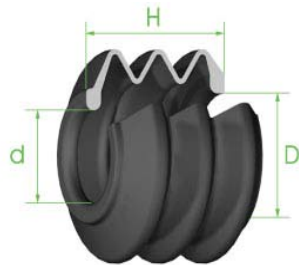
| Ref. | D | d | H |
|------|-------|------|------|
| 2056 | 13,46 | 9,2 | 20,7 |
| 2405 | 15 | 10,7 | 21,8 |
| 2357 | 15,3 | 6,7 | 20,2 |
| 2355 | 15,7 | 10,7 | 27,8 |
| 2263 | 15,7 | 12,7 | 19,5 |
| 2346 | 21 | 11,2 | 24,8 |
| 2434 | 23,8 | 11,5 | 22 |
| 8055 | 27,5 | 15 | 23,2 |

FIGURE 604



| Ref. | D | d | H |
|------|------|------|-------|
| 1547 | 11,1 | 11,1 | 29,5 |
| 1885 | 11,5 | 11 | 27 |
| 2457 | 12 | 12 | 28 |
| 8259 | 12 | 12 | 28 |
| 2372 | 13,2 | 9,8 | 19,3 |
| 2352 | 13,5 | 13,5 | 25 |
| 8308 | 14 | 14 | 29 |
| 2403 | 15 | 13,5 | 24,8 |
| 2062 | 16 | 12 | 21,94 |
| 1506 | 17,7 | 13,9 | 24,8 |

FIGURE 605



| Ref. | D | d | H |
|------|------|-------|------|
| 2057 | 14,1 | 10,3 | 18,7 |
| F-12 | 15 | 13,5 | 27 |
| 834 | 15,9 | 10,85 | 22,5 |
| 2497 | 26,8 | 26,8 | 15,1 |

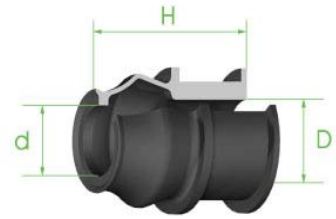
FIGURE 606



| Ref. | D | d | H |
|------|---|---|---|
|------|---|---|---|

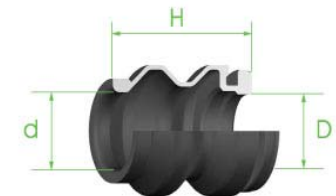
| | | | |
|------|----|----|------|
| 8225 | 12 | 12 | 26 |
| 1586 | 20 | 20 | 21,5 |

FIGURE 607



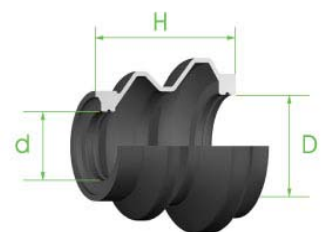
| Ref. | D | d | H |
|------|------|------|----|
| 2218 | 12,2 | 10,5 | 27 |

FIGURE 608



| Ref. | D | d | H |
|------|------|------|------|
| 2322 | 9,5 | 10 | 22 |
| 2453 | 10 | 10 | 21,5 |
| 2049 | 10,7 | 10,7 | 27,8 |
| 2314 | 17 | 12,5 | 23 |

FIGURE 609



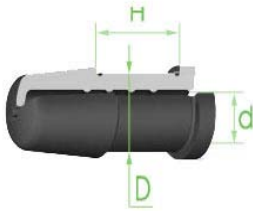
| Ref. | D | d | H |
|------|------|------|------|
| 2404 | 14,8 | 16,7 | 22,5 |
| 1548 | 15 | 10 | 25 |
| 8256 | 20 | 11,5 | 27 |
| 1860 | 54,7 | 36,6 | 11,6 |

FIGURE 610



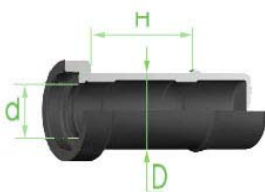
| Ref. | D | d | H |
|------|------|------|------|
| 2409 | 7 | 5,7 | 31 |
| 2058 | 14,1 | 9,7 | 36,6 |
| 2223 | 16,3 | 11,5 | 38,4 |

FIGURE 611



| Ref. | D | d | H |
|------|----|-----|------|
| 1561 | 12 | | 47,2 |
| 2222 | 16 | 6,9 | 36,5 |

FIGURE 612



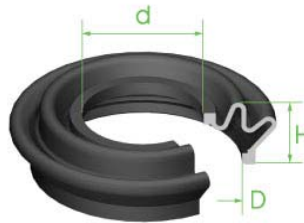
| Ref. | D | d | H |
|------|------|------|------|
| 1813 | 18,9 | 7,6 | 34,3 |
| 2220 | 21,4 | 11,6 | 47,5 |

FIGURE 613



| Ref. | D | d | H |
|------|----|----|----|
| 1572 | 17 | 10 | 22 |

FIGURE 614



| Ref. | D | d | H |
|------|------|-------|------|
| 2059 | 17,8 | 11,8 | 9,35 |
| 1542 | 24 | 15,25 | 7,9 |
| 2380 | 25,5 | 16 | 8 |

FIGURE 615



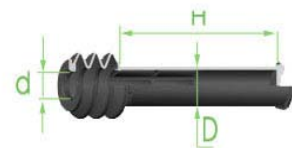
| Ref. | D | d | H |
|------|------|------|-------|
| 2213 | 17,2 | 13,3 | 64,49 |

FIGURE 616



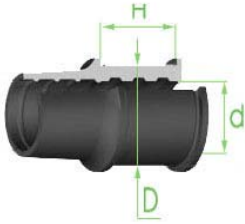
| Ref. | D | d | H |
|------|-------|-----|------|
| 2249 | 9,5 | 5 | 36 |
| 2456 | 10 | 6,8 | 15,9 |
| 2080 | 11,45 | | 69,5 |
| 2371 | 12 | 8 | 50 |
| 2248 | 12,5 | 8 | 55 |
| 2247 | 12,8 | 6,5 | 63,5 |
| 2246 | 14 | 7 | 59,5 |
| 2216 | 15 | 7,8 | 45 |
| 2214 | 15,6 | 7,6 | 52,6 |

FIGURE 617



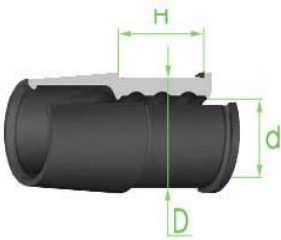
| Ref. | D | d | H |
|------|------|-----|------|
| 2050 | 9,7 | | 85,7 |
| 2217 | 11,5 | 9,2 | 73 |
| 2086 | 13 | 7,3 | 65 |
| 2452 | 13 | 7,5 | 69 |
| 2358 | 13,3 | 7,9 | 58 |
| 2408 | 14,2 | 7,6 | 70 |
| 2250 | 15 | 10 | 76 |

FIGURE 618



| Ref. | D | d | H |
|------|------|------|------|
| 2237 | 11,5 | 12 | 37,5 |
| 2070 | 13 | 12,5 | 44 |
| 2071 | 13,6 | 13,1 | 51 |
| 2075 | 13,8 | 12,2 | 40 |
| 8053 | 20 | 12 | 19 |

FIGURE 619



| Ref. | D | d | H |
|------|----|----|------|
| 2459 | 11 | 14 | 51 |
| 1569 | 14 | 12 | 38,5 |
| 8370 | 21 | 14 | 28 |
| 8168 | 24 | 16 | 18 |

FIGURE 620



| Ref. | D | d | H |
|------|-------|------|------|
| 8252 | 14,65 | 10,3 | 24 |
| 2043 | 17,2 | 11,8 | 25 |
| 2270 | 21,3 | 12,3 | 25 |
| 2496 | 23,2 | 11,9 | 26,1 |
| 8136 | 25 | 11,5 | 23,5 |
| 8159 | 25 | 11,5 | 24 |

FIGURE 621



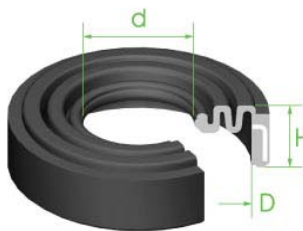
| Ref. | D | d | H |
|------|----|-----|------|
| 1807 | 15 | 9,7 | 24,2 |

FIGURE 622



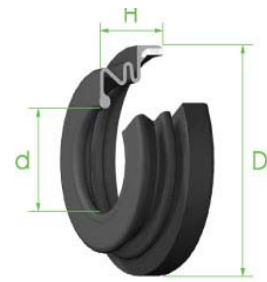
| Ref. | D | d | H |
|------|------|------|------|
| 892 | 20,3 | 16,1 | 18,8 |
| 2381 | 26,5 | 18 | 18 |

FIGURE 623



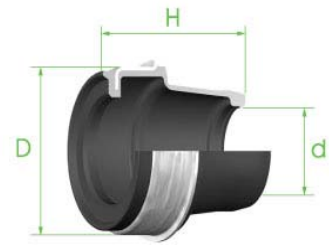
| Ref. | D | d | H |
|------|------|------|-----|
| 1567 | 35,7 | 15,2 | 8,7 |

FIGURE 624



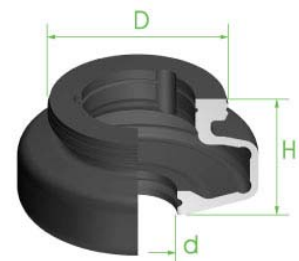
| Ref. | D | d | H |
|------|------|-------|------|
| 2423 | 35 | 14,5 | 22,5 |
| 1882 | 35,1 | 17,1 | 23 |
| 2221 | 38,3 | 17,25 | 12,6 |

FIGURE 625



| Ref. | D | d | H |
|------|-------|------|------|
| 2083 | 14,85 | 12 | 23,8 |
| 8064 | 23,3 | 10,1 | 24 |
| 2335 | 23,55 | 10,3 | 22,6 |
| 1576 | 23,7 | 10,1 | 22,3 |
| 1578 | 25,1 | 12,1 | 22,5 |
| 2212 | 25,2 | 15 | 29 |
| 2439 | 25,4 | 14,4 | 25 |
| 2336 | 25,5 | 12 | 22,5 |
| 2334 | 25,55 | 17 | 19,4 |
| 2337 | 27,55 | 14,5 | 22,5 |

FIGURE 626



| Ref. | D | d | H |
|------|-------|-------|------|
| 2265 | 20,95 | 13,95 | 14,5 |

FIGURE 627



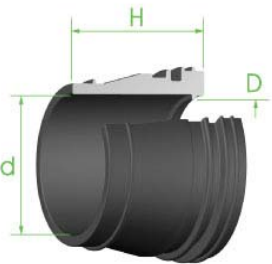
| Ref. | D | d | H |
|------|------|------|------|
| 2048 | 9,95 | 9,95 | 54,8 |
| 2061 | 10,2 | 10,2 | 63 |
| 2215 | 12,3 | 11,6 | 57,5 |
| 2256 | 21 | 10 | 57,5 |
| 2252 | 24 | 12,5 | 76 |
| 2257 | 24,1 | 12,3 | 55,6 |
| 2255 | 24,5 | 10 | 50 |
| 2253 | 26 | 11,5 | 66,5 |
| 2440 | 26 | 13,2 | 75 |

FIGURE 628



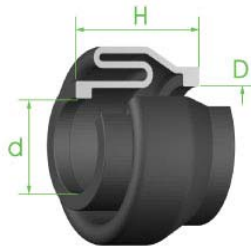
| Ref. | D | d | H |
|------|------|----|----|
| 2384 | 16,4 | 14 | 70 |

FIGURE 629



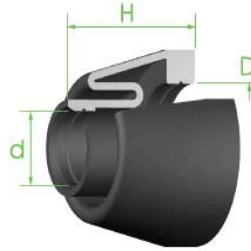
| Ref. | D | d | H |
|------|----|------|----|
| 2382 | 16 | 16,8 | 20 |

FIGURE 630



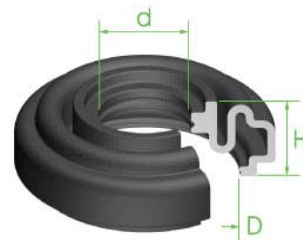
| Ref. | D | d | H |
|------|------|------|------|
| 1887 | 10 | 7 | 15,3 |
| 2273 | 12,3 | 7,8 | 15,6 |
| 2373 | 13,6 | 10,9 | 18 |
| 2407 | 16 | 12 | 14 |

FIGURE 631



| Ref. | D | d | H |
|------|------|-----|------|
| 2354 | 12,9 | 7,4 | 15,7 |

FIGURE 632



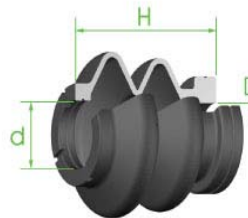
| Ref. | D | d | H |
|------|------|------|----|
| 2345 | 16,7 | 12,3 | 11 |

FIGURE 633



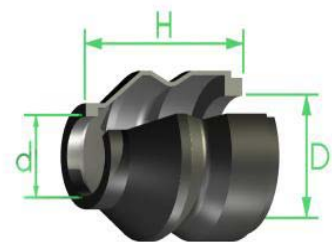
| Ref. | D | d | H |
|------|------|-----|------|
| 1844 | 14,4 | 9,5 | 14 |
| 2047 | 14,9 | 10 | 13,3 |

FIGURE 634



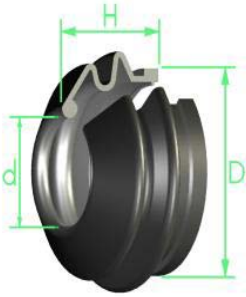
| Ref. | D | d | H |
|------|------|-----|------|
| 2398 | 9 | 10 | 22 |
| 2465 | 10 | 7,7 | 21,3 |
| 8165 | 10,7 | 12 | 22 |

FIGURE 635



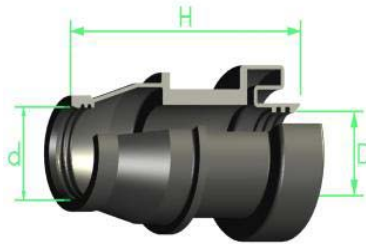
| Ref. | D | d | H |
|------|------|------|------|
| 8066 | 13 | 9 | 25 |
| 2433 | 13,5 | 8,6 | 21,7 |
| 2406 | 15,5 | 10,5 | 23 |

FIGURE 636



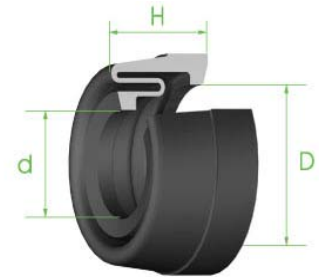
| Ref. | D | d | H |
|-------------|----|------|------|
| 1837 | 22 | 14,2 | 15,5 |

FIGURE 639



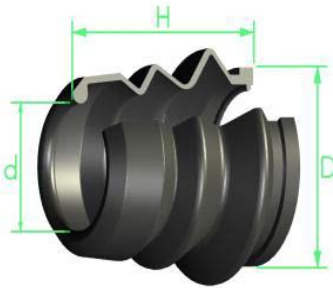
| Ref. | D | d | H |
|-------------|------|------|------|
| 2435 | 11,8 | 12,8 | 40,8 |

FIGURE 642



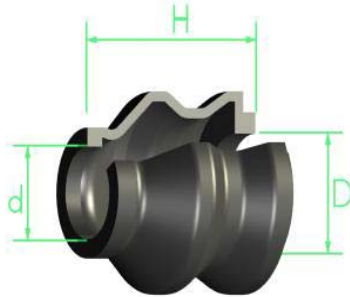
| Ref. | D | d | H |
|-------------|------|------|------|
| 1804 | 15 | 10,6 | 11,8 |
| 8361 | 15,2 | 20,3 | 12,2 |
| 1590 | 16,1 | 11,4 | 12 |
| 1513 | 18 | 10,2 | 13,8 |
| G-26 | 20 | 15,5 | 16 |

FIGURE 637



| Ref. | D | d | H |
|-------------|------|----|----|
| 2260 | 19,2 | 17 | 31 |

FIGURE 640



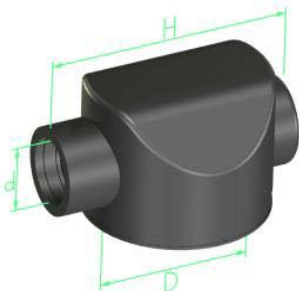
| Ref. | D | d | H |
|-------------|------|---|----|
| 8025 | 10,5 | 8 | 18 |

FIGURE 643



| Ref. | D | d | H |
|-------------|----|------|------|
| 8068 | 25 | 14,5 | 14,5 |

FIGURE 638



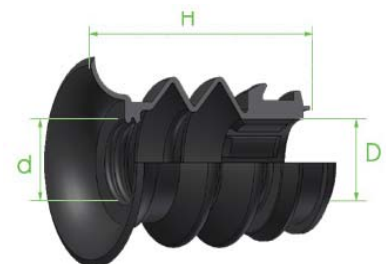
| Ref. | D | d | H |
|-------------|------|----|------|
| 2362 | 38 | 17 | 70,3 |
| 8220 | 43,5 | 11 | 63 |
| 8027 | 44,5 | 18 | 72 |

FIGURE 641



| Ref. | D | d | H |
|-------------|------|-----|------|
| 1852 | 11,6 | 7,8 | 16,3 |

FIGURE 644



| Ref. | D | d | H |
|-------------|------|------|------|
| 2054 | 10,5 | 10,5 | 34,5 |
| 8378 | 10,7 | 11,2 | 34 |

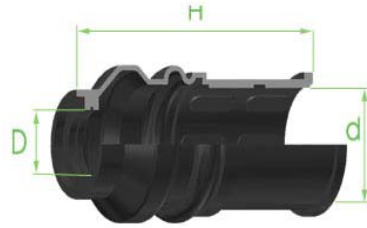
FIGURES

FIGURE 645



| Ref. | D | d | H |
|-------------|------|------|------|
| 1874 | 11,7 | 11,7 | 32,5 |

FIGURE 648



| Ref. | D | d | H |
|-------------|------|----|----|
| 8240 | 10,5 | 14 | 42 |

FIGURE 651



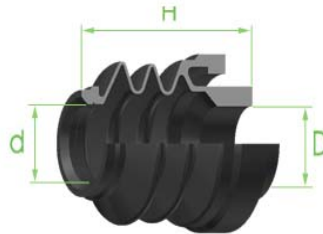
| Ref. | D | d | H |
|-------------|-------|-----|------|
| 8117 | 10,55 | 9,7 | 30,1 |
| 2350 | 16,5 | 11 | 30 |

FIGURE 646



| Ref. | D | d | H |
|-------------|------|------|------|
| 2304 | 23,7 | 10,2 | 28,5 |

FIGURE 649



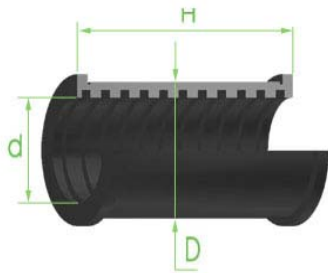
| Ref. | D | d | H |
|-------------|-----|------|----|
| 8254 | 9,7 | 11,5 | 30 |

FIGURE 652



| Ref. | D | d | H |
|-------------|----|-----|------|
| 2347 | 14 | 9,8 | 20,3 |
| 1853 | 15 | 10 | 20,3 |

FIGURE 647



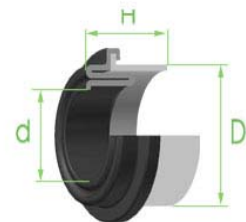
| Ref. | D | d | H |
|-------------|----|------|----|
| 8198 | 30 | 20,8 | 54 |

FIGURE 650



| Ref. | D | d | H |
|-------------|------|----|----|
| 8309 | 24,5 | 16 | 25 |

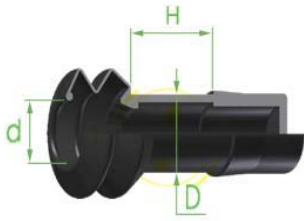
FIGURE 653



| Ref. | D | d | H |
|-------------|------|------|----|
| 8319 | 19,5 | 10,5 | 13 |

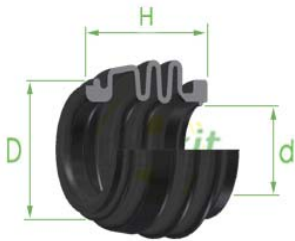
FIGURES

FIGURE 654



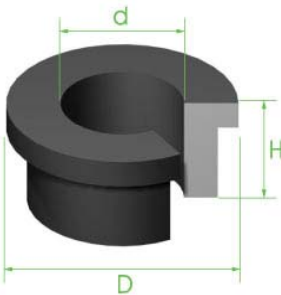
| Ref. | D | d | H |
|------|------|----|----|
| 8371 | 18,5 | 15 | 23 |

FIGURE 655



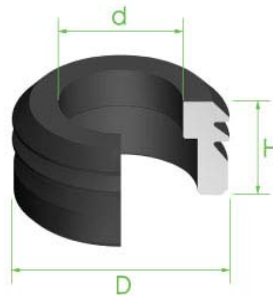
| Ref. | D | d | H |
|------|------|-----|------|
| 2353 | 15,5 | 9,5 | 14,5 |

FIGURE 700



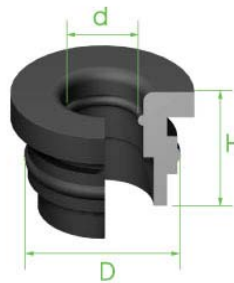
| Ref. | D | d | H |
|------|------|-----|---|
| 2292 | 17,5 | 9,1 | 8 |

FIGURE 701



| Ref. | D | d | H |
|------|-------|-------|----|
| 2230 | 18,15 | 14,75 | 12 |

FIGURE 702



| Ref. | D | d | H |
|--------|------|------|------|
| 791.70 | 22,8 | 11,2 | 17,8 |
| 8310 | 22,8 | 12,5 | 15,7 |
| 791 | 22,8 | 12,5 | 17,8 |
| 2293 | 23,3 | 12,5 | 16 |

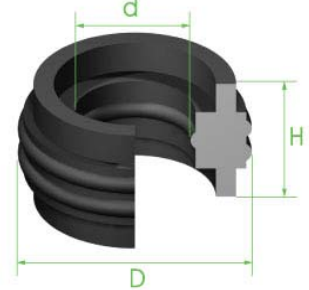
FIGURE 703



| Ref. | D | d | H |
|------|-------|------|------|
| 8065 | 17,4 | 9,3 | 13 |
| 1892 | 18,5 | 8 | 11,5 |
| 2299 | 19,3 | 8 | 12,2 |
| 2081 | 22,65 | 11,9 | 9,9 |
| 2077 | 23,1 | 13,2 | 10,5 |
| 2085 | 23,3 | 6,65 | 12 |
| 2475 | 23,3 | 12,2 | 12,4 |
| 8249 | 24 | 11,5 | 12 |
| 2300 | 24,5 | 10,8 | 12 |
| 2338 | 26 | 11 | 13,8 |

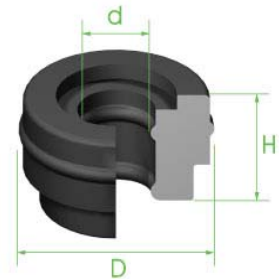
| | | | |
|-------|----|------|------|
| 2288 | 30 | 17,5 | 11 |
| C-733 | 32 | 17 | 9,5 |
| 2290 | 40 | 27 | 12,3 |

FIGURE 704



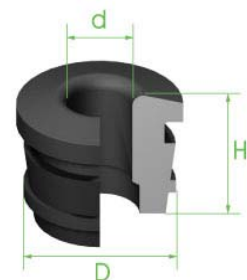
| Ref. | D | d | H |
|------|------|------|------|
| 1816 | 22,5 | 11,4 | 12,5 |

FIGURE 705



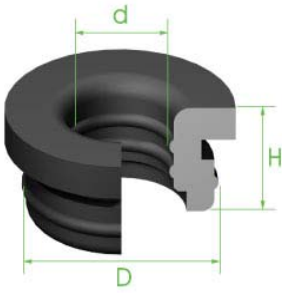
| Ref. | D | d | H |
|---------|-------|-----|------|
| 1521 | 17,65 | 6,2 | 10,3 |
| 1521.70 | 17,65 | 6,2 | 10,3 |
| 8368 | 20 | 9 | 10 |

FIGURE 706



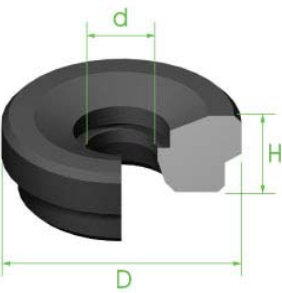
| Ref. | D | d | H |
|-------|------|-----|----|
| 791-C | 20,3 | 8,7 | 17 |

FIGURE 707



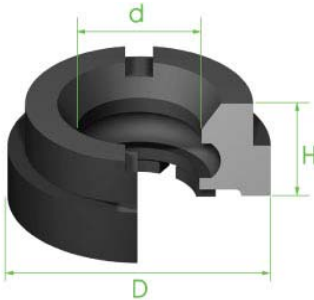
| Ref. | D | d | H |
|----------|------|------|------|
| 1507 | 17,6 | 6,2 | 13,7 |
| 1507.70 | 17,6 | 6,2 | 13,7 |
| 2307 | 20 | 8,5 | 13,5 |
| 8057 | 22 | 11 | 13 |
| 791-B | 23 | 8 | 13 |
| 791-A.70 | 23 | 11,2 | 13 |
| 791-A | 23 | 11,2 | 13 |

FIGURE 708



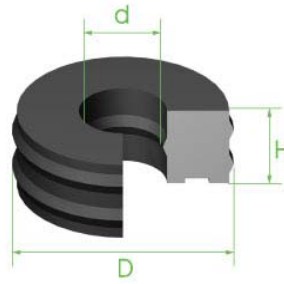
| Ref. | D | d | H |
|-------|------|-----|-----|
| 1523 | 23,3 | 7 | 8 |
| W-109 | 23,8 | 6,9 | 8,2 |

FIGURE 709



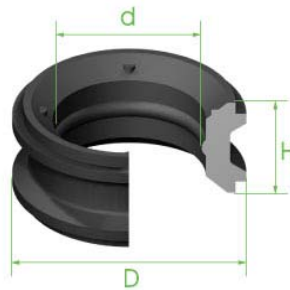
| Ref. | D | d | H |
|------|------|------|---|
| 1522 | 23,5 | 10,6 | 9 |

FIGURE 710



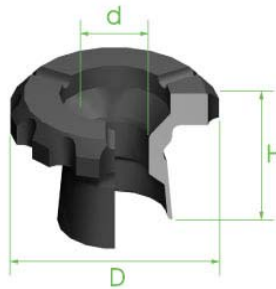
| Ref. | D | d | H |
|-------|-------|------|-----|
| 791-E | 21,35 | 7,65 | 7,4 |

FIGURE 711



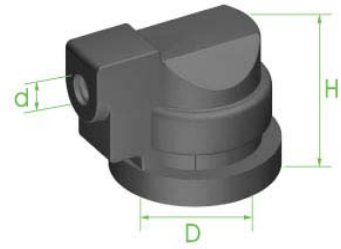
| Ref. | D | d | H |
|------|------|------|-----|
| 1526 | 21,6 | 13,3 | 9,1 |

FIGURE 712



| Ref. | D | d | H |
|------|------|-----|-------|
| 2231 | 13,9 | 6,7 | 11,3 |
| 2235 | 20,9 | 9,5 | 13,35 |

FIGURE 713



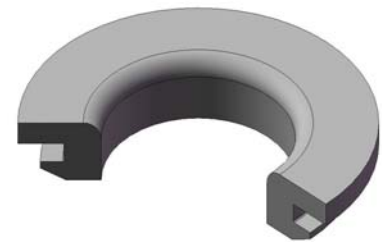
| Ref. | D | d | H |
|------|------|------|------|
| 8119 | 10,5 | 4,5 | 18,2 |
| 1879 | 11,4 | 3,55 | 21,6 |

FIGURE 714



| Ref. | D | d | H |
|------|----|------|----|
| 2426 | 26 | 20,8 | 16 |

FIGURE 715



| Ref. | D | d | H |
|-------|------|------|-----|
| 1462 | 18,8 | 13,1 | 9,4 |
| 791-D | 28,5 | 18 | 8,9 |

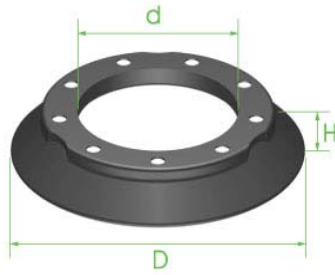
FIGURES

FIGURE 716



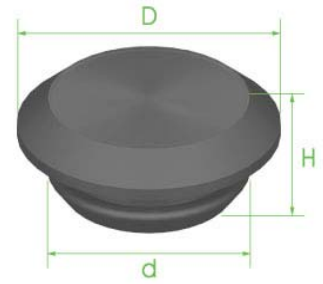
| Ref. | D | d | H |
|------------|----|------|----|
| 738 | 32 | 32,4 | 12 |

FIGURE 719



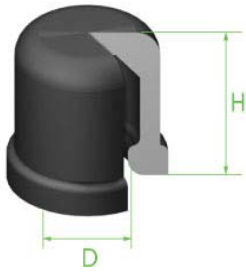
| Ref. | D | d | H |
|-------------|------|-------|-----|
| 2224 | 27,1 | 16,55 | 4,8 |
| 2367 | 29 | 13,8 | 5 |

FIGURE 722



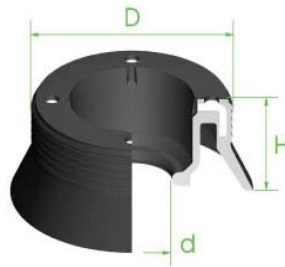
| Ref. | D | d | H |
|-------------|-------|------|-----|
| 2073 | 22 | 10,2 | 8,1 |
| 8199 | 30,75 | 28,6 | 6,7 |

FIGURE 717



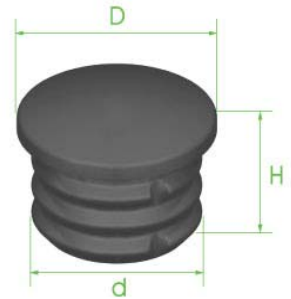
| Ref. | D | d | H |
|--------------|------|-----|-----|
| 795-B | 10 | 5 | 9,5 |
| 795 | 11,8 | 5,2 | 11 |
| 795-A | 14,5 | 6,5 | 14 |

FIGURE 720



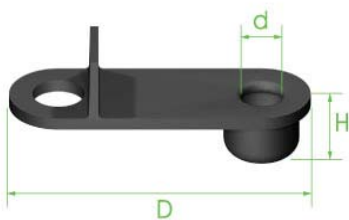
| Ref. | D | d | H |
|-------------|------|------|------|
| 2051 | 24,4 | 7,65 | 10,1 |
| 8321 | 25,5 | 13,5 | 9,7 |
| 2471 | 27 | 16 | 9,3 |

FIGURE 723



| Ref. | D | d | H |
|-------------|-------|------|------|
| 1895 | 16,75 | 12,9 | 13,4 |
| 8173 | 21,5 | 18,8 | 13 |
| 8214 | 23,5 | 20,8 | 13,5 |

FIGURE 718



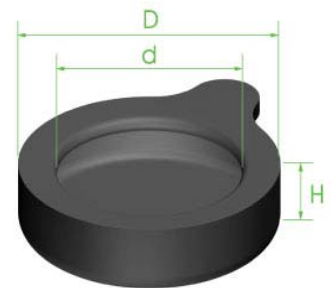
| Ref. | D | d | H |
|-------------|-----|---|------|
| 1841 | 5,4 | | 15,1 |

FIGURE 721



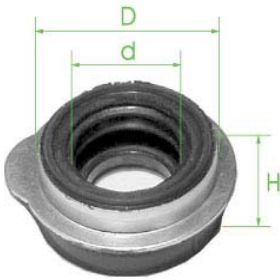
| Ref. | D | d | H |
|-------------|------|------|-----|
| 1884 | 16,2 | 12,2 | 7,2 |
| 2094 | 26 | 12,8 | 7,4 |

FIGURE 724



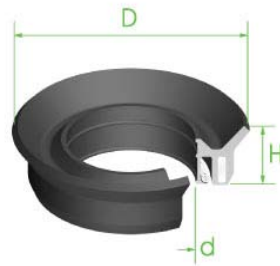
| Ref. | D | d | H |
|-------------|----|-------|----|
| 2074 | 45 | 26,25 | 10 |

FIGURE 725



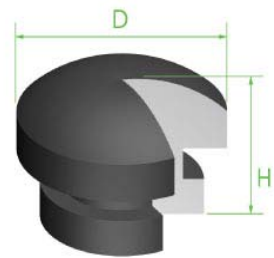
| Ref. | D | d | H |
|-------------|------|------|------|
| 2211 | 25,7 | 12,5 | 12,2 |

FIGURE 728



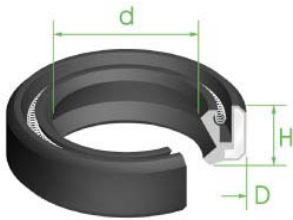
| Ref. | D | d | H |
|-------------|------|------|------|
| 2225 | 17,1 | 10,4 | 22,2 |

FIGURE 731



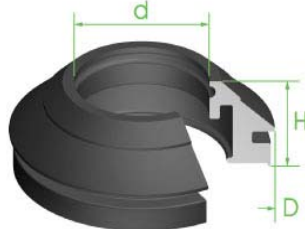
| Ref. | D | d | H |
|-------------|-----|-----|-----|
| 2364 | 9,3 | 9,3 | 4,8 |
| W-86 | 12 | 10 | 8 |

FIGURE 726



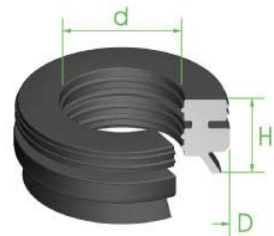
| Ref. | D | d | H |
|-------------|------|------|---|
| G-31 | 23 | 17 | 3 |
| G-30 | 24 | 15 | 7 |
| 2342 | 24,4 | 15 | 6 |
| 8021 | 47 | 33,5 | 7 |

FIGURE 729



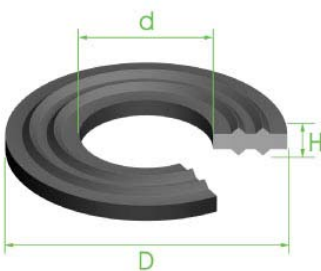
| Ref. | D | d | H |
|-------------|------|----|-----|
| 2356 | 25,5 | 13 | 8,8 |

FIGURE 732



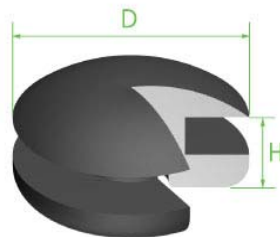
| Ref. | D | d | H |
|-------------|----|------|-----|
| 2366 | 23 | 12,3 | 8,5 |

FIGURE 727



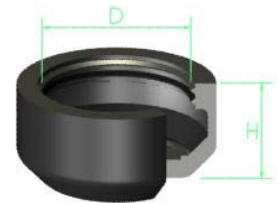
| Ref. | D | d | H |
|-------------|-------|------|-----|
| 1772 | 26,75 | 14,6 | 4,1 |
| 8363 | 38,2 | 18 | 4 |
| G-1 | 44 | 14 | 10 |

FIGURE 730



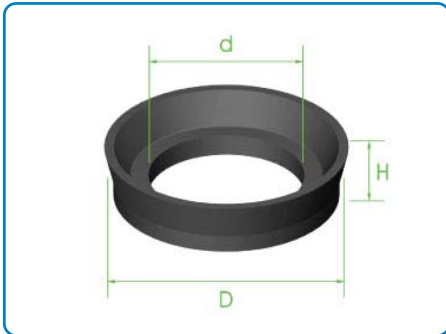
| Ref. | D | d | H |
|-------------|-----|---|---|
| 2359 | 9,2 | | 5 |

FIGURE 733



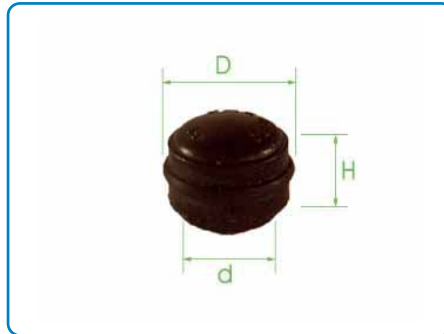
| Ref. | D | d | H |
|-------------|------|---|------|
| 2443 | 22,5 | | 14,5 |

FIGURE 734



| Ref. | D | d | H |
|-------------|------|------|---|
| 2491 | 13,7 | 9,5 | 4 |
| 8152 | 20 | 13,2 | 4 |

FIGURE 737



| Ref. | D | d | H |
|-------------|------|-----|----|
| 2425 | 14,5 | 4,4 | 10 |

FIGURE 740



| Ref. | D | d | H |
|-------------|------|----|-----|
| 2478 | 44,6 | 34 | 4,7 |

FIGURE 735



| Ref. | D | d | H |
|-------------|----|-----|------|
| 1714 | 18 | 6,6 | 18,5 |

FIGURE 738



| Ref. | D | d | H |
|----------------|----|----|---|
| 2444 | 29 | 17 | 9 |
| 2444.70 | 29 | 17 | 9 |

FIGURE 741



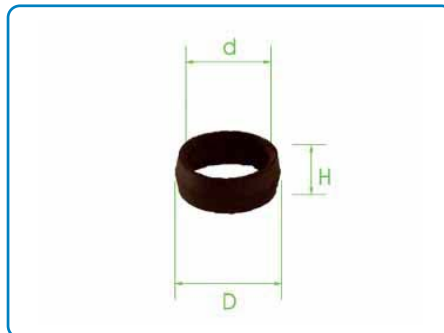
| Ref. | D | d | H |
|---------------|------|------|-----|
| 2582-R | 31,2 | 13,8 | 7,5 |

FIGURE 736



| Ref. | D | d | H |
|-------------|------|---|-----|
| 2360 | 12,9 | | 5,2 |

FIGURE 739



| Ref. | D | d | H |
|-------------|------|---|---|
| 2454 | 11,5 | 9 | 4 |

FIGURE 742



| Ref. | D | d | H |
|------------------|----|----|-----|
| 2596-R | 37 | 27 | 7,5 |
| 2596-R.70 | 37 | 27 | 7,5 |

FIGURES

FIGURE 743



| Ref. | D | d | H |
|-------------|----|----|-----|
| 8009 | 43 | 29 | 4 |
| 8056 | 50 | 34 | 3,8 |

FIGURE 746



| Ref. | D | d | H |
|-------------|------|------|------|
| 8170 | 17,5 | 14,5 | 24,5 |
| 8171 | 19,5 | 17 | 25 |

FIGURE 749



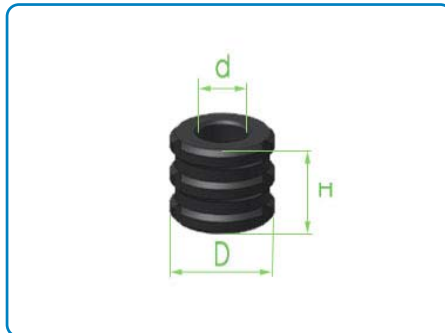
| Ref. | D | d | H |
|-------------|-----|----|---|
| 8315 | 125 | 82 | 6 |

FIGURE 744



| Ref. | D | d | H |
|-------------|------|------|------|
| 8010 | 17,1 | 10,4 | 12,7 |

FIGURE 747



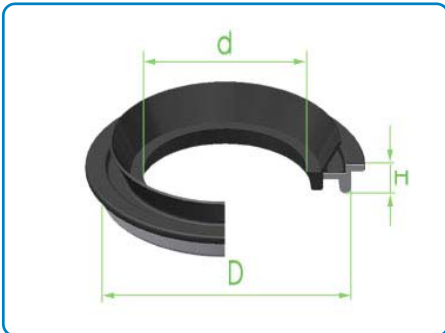
| Ref. | D | d | H |
|-------------|----|---|-----|
| 8138 | 10 | 5 | 8,5 |

FIGURE 750



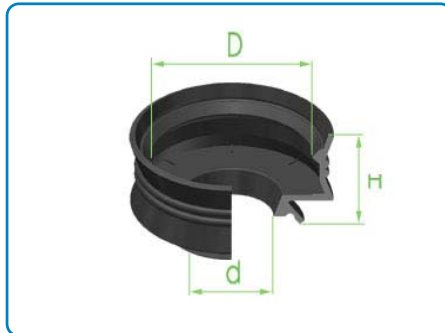
| Ref. | D | d | H |
|-------------|----|---|---|
| 8316 | 48 | 3 | 8 |

FIGURE 745



| Ref. | D | d | H |
|-------------|------|----|---|
| 8147 | 58,6 | 44 | 9 |

FIGURE 748



| Ref. | D | d | H |
|-------------|----|---|------|
| 8258 | 17 | 8 | 11,7 |

FIGURE 751



| Ref. | D | d | H |
|-------------|----|----|----|
| 8317 | 51 | 11 | 11 |

FIGURES

FIGURE 752



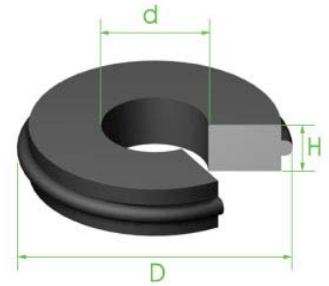
| Ref. | D | d | H |
|-------------|----|----|----|
| 8318 | 51 | 11 | 11 |

FIGURE 755



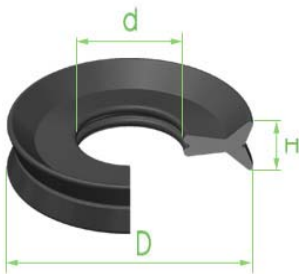
| Ref. | D | d | H |
|-------------|------|-----|------|
| 8307 | 26,8 | 7,5 | 14,5 |

FIGURE 800



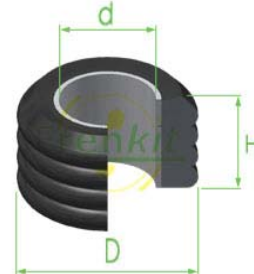
| Ref. | D | d | H |
|--------------|------|------|-----|
| 2106 | 25,2 | 19,4 | 1,7 |
| 12 | 25,4 | 10 | 4,5 |
| 12.70 | 25,4 | 10 | 4,5 |

FIGURE 753



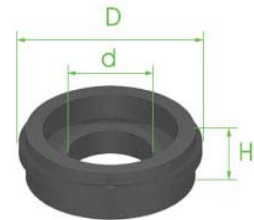
| Ref. | D | d | H |
|-------------|------|---|-----|
| G-28 | 20,8 | 9 | 4,5 |

FIGURE 757



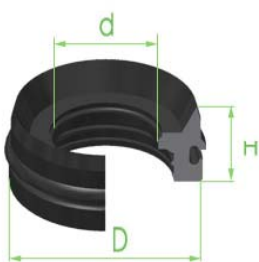
| Ref. | D | d | H |
|-------------|-----|-----|-----|
| 8365 | 4,5 | 9,3 | 4,5 |

FIGURE 801



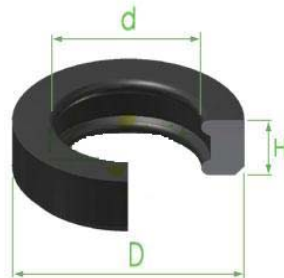
| Ref. | D | d | H |
|-----------------|-------|------|-----|
| 2105 | 6,4 | 1,8 | 3,7 |
| W-47 | 6,5 | 4,5 | 2,5 |
| C-877 | 10 | 5 | 4 |
| C-877.70 | 10 | 5 | 4 |
| 19 | 11 | 5 | 4 |
| 2143 | 11,45 | 2,9 | 5 |
| 19-A | 14,96 | 7,05 | 4 |

FIGURE 754



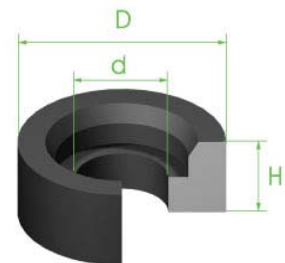
| Ref. | D | d | H |
|-------------|----|----|------|
| 8305 | 25 | 13 | 10,5 |

FIGURE 758



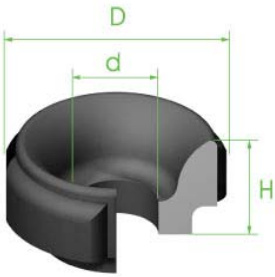
| Ref. | D | d | H |
|-------------|------|------|------|
| W-99 | 15 | 9,5 | 4 |
| 2228 | 38,5 | 32,5 | 12,3 |

FIGURE 802



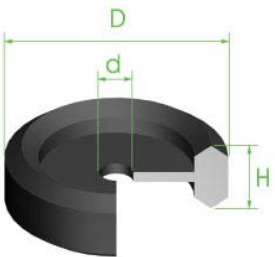
| Ref. | D | d | H |
|--------------|-----|------|-----|
| 1651 | 8,8 | 2,6 | 5,5 |
| 1396 | 9 | 4,1 | 4 |
| W-167 | 16 | 10,5 | 3,5 |
| 14 | 16 | 10,5 | 3,5 |

FIGURE 803



| Ref. | D | d | H |
|---------|------|------|------|
| 2010 | 16,5 | 28,4 | 13 |
| C-411 | 18,3 | 6,7 | 8 |
| 2009 | 20 | 8,4 | 11 |
| 2009.70 | 20 | 8,4 | 11 |
| C-458 | 22,3 | 6,4 | 10,4 |

FIGURE 804



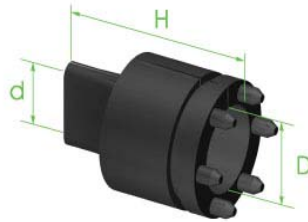
| Ref. | D | d | H |
|-------|-------|-----|-----|
| 19.70 | 11 | 5 | 4 |
| 20 | 16,5 | 2,5 | 5 |
| 20.70 | 16,5 | 2,5 | 5 |
| W-78 | 24,25 | 6,3 | 5,6 |

FIGURE 805



| Ref. | D | d | H |
|------|---|------|----|
| 2044 | 4 | 0,25 | 12 |
| 1762 | 6 | 5,25 | 12 |

FIGURE 806



| Ref. | D | d | H |
|-------|-----|-----|------|
| W-113 | 5,3 | 1,5 | 11,5 |
| 1688 | 5,8 | 5,5 | 13 |

FIGURE 807



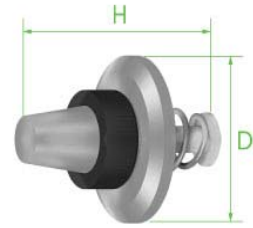
| Ref. | D | d | H |
|---------|-------|-----|-----|
| C-789 | 12,8 | 5,6 | 3,7 |
| 1147 | 19,05 | | |
| 1147.70 | 19,05 | | |
| 1148.70 | 20,5 | | |
| 1148 | 20,5 | | |

FIGURE 808



| Ref. | D | d | H |
|------|-------|-----|-------|
| W-41 | 23 | 6,5 | 12,65 |
| 1150 | 25,4 | | |
| 1104 | 31,75 | | 5 |
| 1108 | 38,1 | | 5,7 |

FIGURE 809



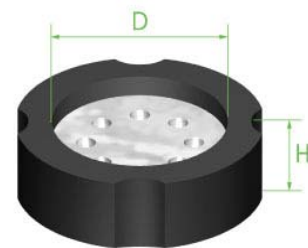
| Ref. | D | d | H |
|------|------|---|------|
| 1161 | 18,6 | | 25,4 |

FIGURE 810



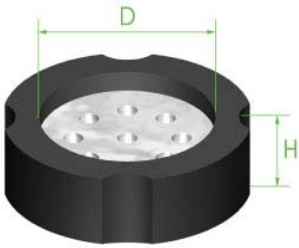
| Ref. | D | d | H |
|--------|-------|---|-------|
| 918 | 17 | 7 | 7,4 |
| 1125 | 17,45 | | 9,5 |
| 916 | 18,5 | | 13,15 |
| 916.70 | 18,5 | | 13,15 |
| 1130 | 25,4 | | 13,5 |

FIGURE 811



| Ref. | D | d | H |
|--------|-------|-----|-----|
| 1307 | 13,35 | 3,2 | 4,4 |
| 1383-A | 16,4 | | 0,8 |

FIGURE 812



| Ref. | D | d | H |
|-------------|------|---|-----|
| 2042 | 10,4 | | 5,2 |
| 1383 | 19 | 5 | 6,4 |

FIGURE 813



| Ref. | D | d | H |
|-------------|-------|---|---|
| 1133 | 19,05 | | |
| 1132 | 22,2 | | |
| 1131 | 25,4 | | |
| 1134 | 31,75 | | |

FIGURE 814



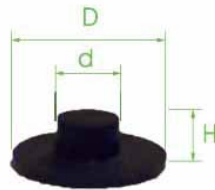
| Ref. | D | d | H |
|-------------|-------|---|---|
| 1136 | 19,05 | | |

FIGURE 815



| Ref. | D | d | H |
|-------------|-------|---|---|
| 1137 | 15,87 | | |

FIGURE 816



| Ref. | D | d | H |
|--------------|----|-----|-----|
| C-414 | 14 | 5,9 | 4,3 |
| C-711 | 17 | 2,5 | 4 |

FIGURE 817



| Ref. | D | d | H |
|-------------|-------|---|------|
| 1140 | 16,09 | | 18,1 |

FIGURE 818



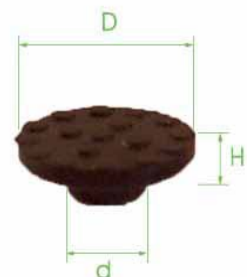
| Ref. | D | d | H |
|--------------|------|-----|-----|
| 7 | 8 | 2,5 | 7 |
| W-168 | 8 | 2,5 | 7 |
| 5.70 | 8,6 | | 5,2 |
| 5 | 8,6 | | 5,2 |
| W-55 | 11,5 | | 7,8 |
| 9.70 | 16,5 | 13 | 8,5 |
| 9 | 16,5 | 13 | 8,5 |

FIGURE 819



| Ref. | D | d | H |
|-------------|------|------|------|
| 2138 | 15,3 | 7 | 10,2 |
| 18 | 17,2 | 10,2 | 10,5 |

FIGURE 820



| Ref. | D | d | H |
|--------------|----|------|-----|
| C-413 | 11 | 4,75 | 3,8 |

FIGURE 821



| Ref. | D | d | H |
|-------------|------|------|-----|
| 1141 | 10,2 | 0,5 | 9,2 |
| W-17 | 18,6 | 10,6 | 16 |

FIGURE 824



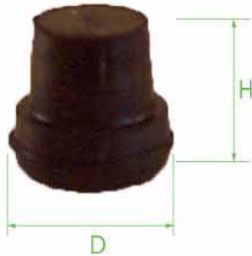
| Ref. | D | d | H |
|-------------|------|---|---|
| 1135 | 38,1 | | |

FIGURE 908



| Ref. | D | d | H |
|-------------|----|------|---|
| 1139 | 76 | 42,5 | 8 |

FIGURE 822



| Ref. | D | d | H |
|-------------|---|---|-----|
| 2477 | 9 | 4 | 7,9 |

FIGURE 825



| Ref. | D | d | H |
|----------------|-------|---|---|
| RW-3002 | 19,05 | | 0 |

FIGURE 909



| Ref. | D | d | H |
|--------------|----|----|---|
| W-100 | 60 | 40 | 8 |

FIGURE 823



| Ref. | D | d | H |
|-------------|------|-----|-----|
| 8257 | 12,5 | 4,5 | 7,5 |
| 2479 | 14,5 | 6 | 9,4 |

FIGURE 907



| Ref. | D | d | H |
|-------------|----|------|---|
| 1138 | 76 | 42,5 | 8 |

FIGURE 913



| Ref. | D | d | H |
|----------------|----|------|------|
| W-102 | 30 | 21,2 | 15,7 |
| RW-3035 | 30 | 21,2 | 15,7 |

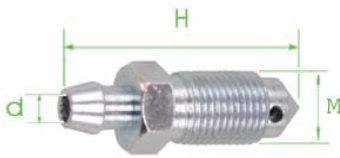
FIGURES

FIGURE 914



| Ref. | D | d | H |
|-------|----|------|-----|
| W-103 | 64 | 52,5 | 0,5 |

FIGURE 915



| Ref. | D | d | H |
|-------|------|-----|------|
| PR-1 | 6,35 | 3 | 28,5 |
| 8269 | 6,35 | 3 | 28,5 |
| PR-2 | 7 | 3 | 26 |
| 8270 | 7 | 3 | 26 |
| 8272 | 7 | 3 | 34,5 |
| 8274 | 7 | 3 | 34,5 |
| PR-4 | 7 | 3 | 34,5 |
| 8271 | 7 | 3,5 | 22 |
| PR-3 | 7 | 3,5 | 22 |
| PR-5 | 7 | 3,5 | 30,5 |
| 8273 | 7 | 3,5 | 30,5 |
| PR-10 | 7,8 | 3,3 | 30,5 |
| PR-24 | 7,8 | 3,3 | 30,5 |
| PR-26 | 8 | 2,5 | 26 |
| PR-22 | 8 | 2,5 | 26 |
| PR-6 | 8 | 2,5 | 26,5 |
| PR-28 | 8 | 3 | 33,5 |
| 8285 | 8 | 3 | 33,5 |
| PR-14 | 8 | 3,5 | 32,5 |
| 8289 | 8 | 3,5 | 32,5 |
| PR-7 | 8 | 3,5 | 35,5 |
| 8275 | 8 | 3,5 | 35,5 |
| 8290 | 8 | 3,5 | 38 |
| PR-15 | 8 | 3,5 | 38 |
| 8291 | 9,53 | 3,5 | 30,5 |
| PR-16 | 9,53 | 3,5 | 30,5 |
| PR-17 | 10 | 3 | 30 |
| 8292 | 10 | 3 | 30 |

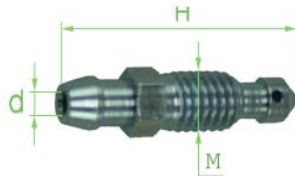
| | | | |
|-------|----|-----|------|
| PR-13 | 10 | 3,5 | 28 |
| 8288 | 10 | 3,5 | 28 |
| PR-8 | 10 | 3,5 | 31 |
| PR-18 | 10 | 3,5 | 36 |
| 8293 | 10 | 3,5 | 36 |
| 8294 | 10 | 3,5 | 37,5 |
| PR-19 | 10 | 3,5 | 37,5 |
| 8295 | 10 | 4 | 29,5 |
| PR-20 | 10 | 4 | 29,5 |

FIGURE 916



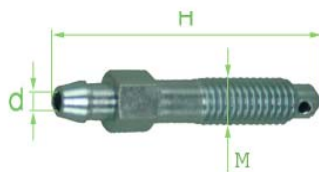
| Ref. | D | d | H |
|-------|----|---|----|
| 8296 | 12 | 3 | 32 |
| PR-21 | 12 | 3 | 32 |

FIGURE 917



| Ref. | D | d | H |
|------|---|---|------|
| 8286 | 8 | 3 | 34,5 |

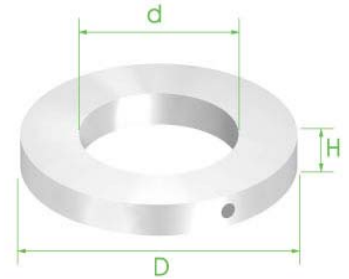
FIGURE 918



| Ref. | D | d | H |
|-------|---|-----|----|
| PR-36 | 6 | 3,5 | 38 |
| PR-25 | 6 | 3,5 | 38 |

| | | | |
|-------|---|---|----|
| 8287 | 8 | 3 | 49 |
| PR-12 | 8 | 3 | 49 |

FIGURE 919



| Ref. | D | d | H |
|-------|------|------|---|
| 82095 | 24,7 | 14 | |
| 82092 | 24,8 | 14,1 | |

FIGURE 920



| Ref. | D | d | H |
|------|---|---|----|
| TR-2 | 4 | | 32 |

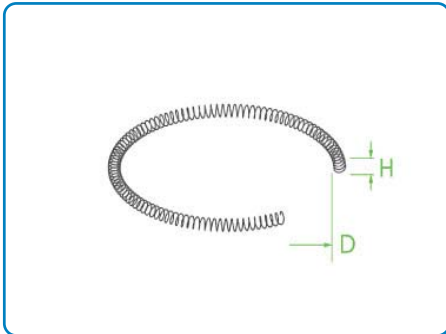
FIGURE 921



| Ref. | D | d | H |
|-------|----|------|-----|
| TR-7 | 8 | | 45 |
| TR-6 | 8 | | 55 |
| TR-8 | 8 | | 70 |
| TR-13 | 8 | 1,25 | 60 |
| TR-18 | 10 | | 150 |

FIGURES

FIGURE 922



| Ref. | D | d | H |
|---------|------|---|-----|
| RW-3083 | 24,5 | | 1,6 |

FIGURE 925



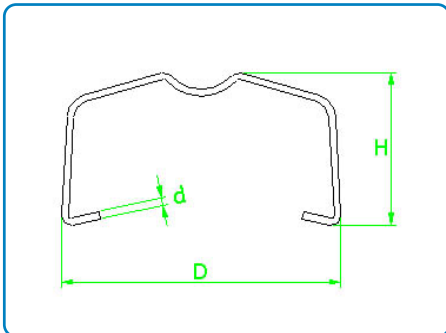
| Ref. | D | d | H |
|---------|---|---|---|
| GRASA-1 | | | |

FIGURE 931



| Ref. | D | d | H |
|---------|---|---|---|
| BRIDA-1 | | | |

FIGURE 923



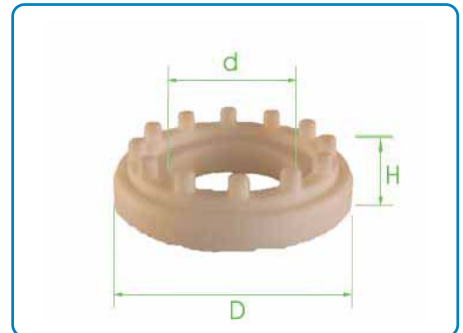
| Ref. | D | d | H |
|------------|----|-----|----|
| GP-10159/4 | 64 | 9,5 | 36 |
| RW-3082 | 66 | 1,5 | 38 |

FIGURE 926



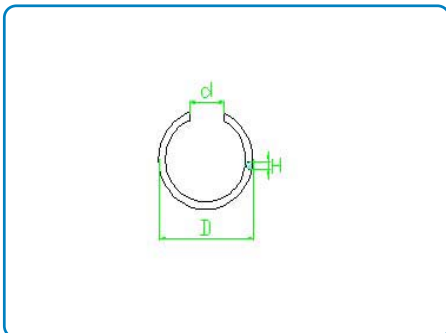
| Ref. | D | d | H |
|---------|---|---|---|
| RW-3003 | 0 | | 0 |

FIGURE 932



| Ref. | D | d | H |
|-------|------|------|---|
| 82093 | 34 | 16,9 | |
| 82094 | 35,7 | 17 | |

FIGURE 924



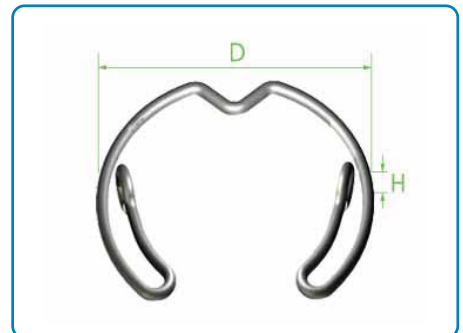
| Ref. | D | d | H |
|---------|------|---|-----|
| GP-1016 | 26,5 | 6 | 2,5 |
| GP-1001 | 27,3 | | 2 |

FIGURE 927



| Ref. | D | d | H |
|-------|----|---|---|
| 82091 | 10 | | |

FIGURE 933



| Ref. | D | d | H |
|---------|----|---|-----|
| GP-1018 | 30 | | 1,6 |
| GP-1013 | 32 | | 1,4 |
| GP-1019 | 32 | | 1,8 |

FIGURES

FIGURE 934



| Ref. | D | d | H |
|----------------|------|----|----|
| RW-3013 | 51,6 | 25 | 14 |

FIGURE 937



| Ref. | D | d | H |
|----------------|----|------|-----|
| RW-3030 | 49 | 34,5 | 0,8 |
| RW-3016 | 50 | 36 | 0,8 |
| RW-3029 | 53 | 38,5 | 0,9 |
| RW-3017 | 53 | 39,5 | 0,9 |

FIGURE 940



| Ref. | D | d | H |
|----------------|----|----|-----|
| RW-3021 | 60 | 30 | 7,5 |
| RW-3022 | 73 | 39 | 7,5 |

FIGURE 935



| Ref. | D | d | H |
|----------------|------|----|----|
| RW-3012 | 51,6 | 25 | 14 |

FIGURE 938



| Ref. | D | d | H |
|----------------|------|------|---|
| RW-3018 | 73,5 | 50,5 | 4 |

FIGURE 941



| Ref. | D | d | H |
|----------------|----|----|-----|
| RW-3020 | 60 | 30 | 7,5 |
| RW-3023 | 76 | 39 | 7,5 |

FIGURE 936



| Ref. | D | d | H |
|----------------|------|------|----|
| RW-3014 | 54,5 | 31,3 | 10 |

FIGURE 939



| Ref. | D | d | H |
|----------------|------|------|---|
| RW-3019 | 76,5 | 53,3 | 4 |

FIGURE 942



| Ref. | D | d | H |
|----------------|----|------|-----|
| RW-3028 | 57 | 41,8 | 4,4 |

FIGURES

FIGURE 943



| Ref. | D | d | H |
|----------------|----|----|------|
| RW-3027 | 55 | 23 | 13,5 |

FIGURE 946



| Ref. | D | d | H |
|----------------|------|----|---|
| RW-3024 | 72,3 | 42 | 8 |

FIGURE 949



| Ref. | D | d | H |
|----------------|---|---|---|
| GRASA-2 | | | |

FIGURE 944



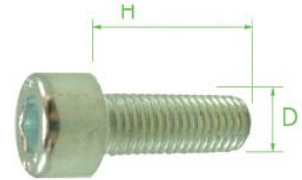
| Ref. | D | d | H |
|----------------|----|----|------|
| RW-3026 | 55 | 23 | 13,5 |

FIGURE 947



| Ref. | D | d | H |
|----------------|------|-----|-----|
| RW-3031 | 52,5 | 3,5 | 3,5 |

FIGURE 950



| Ref. | D | d | H |
|-------------|----|-----|----|
| TR-1 | 10 | 1,5 | 30 |

FIGURE 945



| Ref. | D | d | H |
|----------------|------|----|---|
| RW-3025 | 71,3 | 42 | 8 |

FIGURE 948



| Ref. | D | d | H |
|----------------|---|---|---|
| RW-3009 | 0 | | 0 |

FIGURE 951



| Ref. | D | d | H |
|--------------|-----|------|----|
| TR-4 | 8 | 1,25 | 21 |
| TR-19 | 9,5 | | 38 |

FIGURES

FIGURE 952



| Ref. | D | d | H |
|---------|----|-----|----|
| RW-3008 | 25 | 8,5 | 19 |

FIGURE 955



| Ref. | D | d | H |
|---------|------|----|-----|
| RW-3043 | 19,6 | 18 | 6,5 |

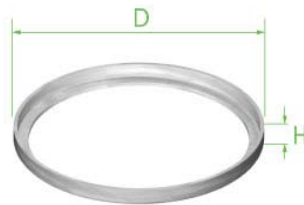
| | | |
|---------|----|-----|
| RW-2927 | 78 | 1,5 |
| RW-3047 | 88 | 1,6 |
| RW-2995 | 94 | 1,5 |

FIGURE 953



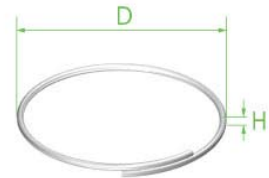
| Ref. | D | d | H |
|---------|----|----|-----|
| RW-2996 | 20 | 16 | 7,7 |

FIGURE 1.000



| Ref. | D | d | H |
|---------|------|------|-----|
| RW-3006 | 0 | 0 | |
| RW-3007 | 17,6 | 2,5 | |
| RW-3005 | 42,5 | 37,8 | 2,8 |
| RW-2949 | 47,3 | 2,7 | |
| RW-2902 | 51 | 2,5 | |
| RW-2959 | 52,5 | 2,6 | |
| RW-2901 | 58,8 | 4 | |
| RW-2984 | 62 | 3,9 | |
| RW-2957 | 65,4 | 3,9 | |

FIGURE 1.002



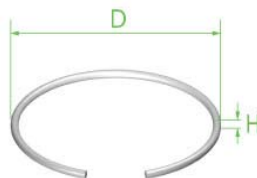
| Ref. | D | d | H |
|---------|------|-----|---|
| RW-2971 | 41 | 1,4 | |
| RW-2922 | 47,5 | 1,5 | |
| RW-3000 | 50,5 | 1,8 | |
| RW-2926 | 54,5 | 1,8 | |
| RW-2923 | 60 | 1,8 | |
| RW-2925 | 65,5 | 1,8 | |

FIGURE 954



| Ref. | D | d | H |
|---------|----|----|----|
| RW-3032 | 53 | 37 | 10 |

FIGURE 1.001



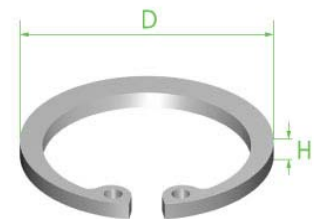
| Ref. | D | d | H |
|---------|----|-----|---|
| RW-2989 | 50 | 1,5 | |
| RW-2974 | 54 | 1,5 | |
| RW-2997 | 58 | 1,5 | |
| RW-2928 | 67 | 1,5 | |
| RW-2933 | 71 | 1,5 | |

FIGURE 1.003



| Ref. | D | d | H |
|---------|------|-----|---|
| RW-2930 | 43,5 | 2,5 | |
| RW-2931 | 45,5 | 2,6 | |
| RW-2921 | 52,2 | 2,5 | |
| RW-2932 | 60 | 2,5 | |
| RW-2929 | 69,5 | 2,5 | |

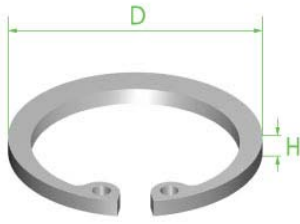
FIGURE 1.100



| Ref. | D | d | H |
|------|---|---|---|
|------|---|---|---|

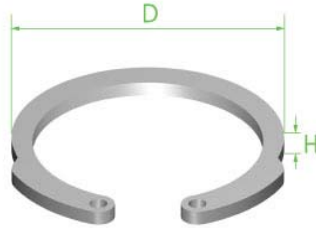
FIGURES

FIGURE 1.100 Cont.



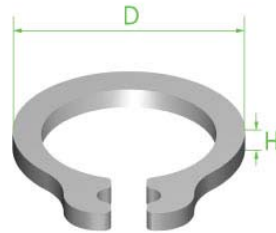
| | | |
|-------|------|---|
| GP-51 | 55,2 | 2 |
| GP-52 | 56,2 | 2 |
| GP-53 | 57,2 | 2 |

FIGURE 1.101



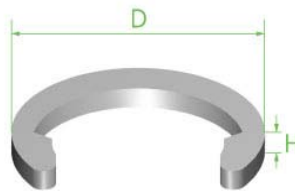
| Ref. | D | d | H |
|---------|----|---|-----|
| RW-2965 | 18 | | 1 |
| GP-1004 | 18 | | 1 |
| GP-1008 | 18 | | 1 |
| GP-1009 | 24 | | 1,2 |
| GP-1010 | 28 | | 1,5 |
| GP-1011 | 30 | | 1,2 |

FIGURE 1.102



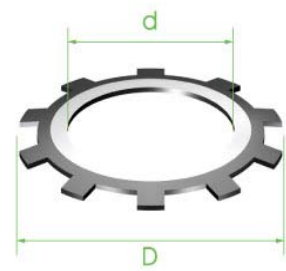
| Ref. | D | d | H |
|---------|-----|---|-----|
| GP-1003 | 9,5 | | 0,8 |

FIGURE 1.103



| Ref. | D | d | H |
|---------|----|---|-----|
| GP-1006 | 10 | | 0,8 |

FIGURE 1.104



| Ref. | D | d | H |
|---------|------|------|-----|
| GP-1005 | 25,5 | 16,1 | 1,5 |
| GP-1007 | 35,5 | 24,9 | 1,6 |

FIGURE 1.105



| Ref. | D | d | H |
|------|-----|---|----|
| PS-1 | 3,8 | | 30 |
| PS-2 | 4,5 | | 45 |

FIGURE 1.106

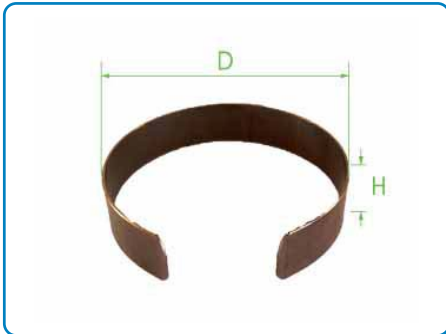


| Ref. | D | d | H |
|---------|----|---|-----|
| GP-1002 | 45 | | 2,4 |

| Ref. | D | d | H |
|---------|------|---|------|
| GP-8 | 8,7 | | 0,8 |
| GP-9 | 9,8 | | 0,8 |
| GP-10 | 10,8 | | 1 |
| GP-11 | 11,8 | | 1 |
| GP-12 | 13 | | 1 |
| GP-13 | 14,1 | | 1 |
| GP-14 | 15,1 | | 1 |
| GP-15 | 16,2 | | 1 |
| GP-16 | 17,3 | | 1 |
| GP-17 | 18,3 | | 1 |
| GP-18 | 19,5 | | 1 |
| GP-19 | 20,5 | | 1 |
| GP-20 | 21,5 | | 1 |
| GP-21 | 22,5 | | 1 |
| GP-22 | 23,5 | | 1 |
| GP-23 | 24,6 | | 1,2 |
| GP-24 | 25,9 | | 1,2 |
| GP-25 | 26,9 | | 1,2 |
| GP-26 | 27,9 | | 1,2 |
| GP-27 | 29,1 | | 1,2 |
| GP-28 | 30,1 | | 1,2 |
| GP-29 | 31,1 | | 1,2 |
| GP-30 | 32,1 | | 1,2 |
| GP-31 | 33,4 | | 1,2 |
| GP-32 | 34,4 | | 1,2 |
| GP-33 | 35,5 | | 1,2 |
| GP-34 | 36,5 | | 1,5 |
| GP-35 | 37,8 | | 1,5 |
| GP-36 | 39 | | 1,5 |
| GP-37 | 40 | | 1,5 |
| GP-38 | 40,8 | | 1,5 |
| GP-39 | 42 | | 1,5 |
| GP-1014 | 43,5 | | 1,75 |
| GP-40 | 43,5 | | 1,75 |
| GP-41 | 44,5 | | 1,75 |
| GP-42 | 45,5 | | 1,75 |
| GP-43 | 46,5 | | 1,75 |
| GP-44 | 47,5 | | 1,75 |
| GP-45 | 48,5 | | 1,75 |
| GP-46 | 49,5 | | 1,75 |
| GP-47 | 50,5 | | 1,75 |
| GP-48 | 51,5 | | 1,75 |
| GP-49 | 52,3 | | 1,75 |
| GP-50 | 54,2 | | 2 |

FIGURES

FIGURE 1.107



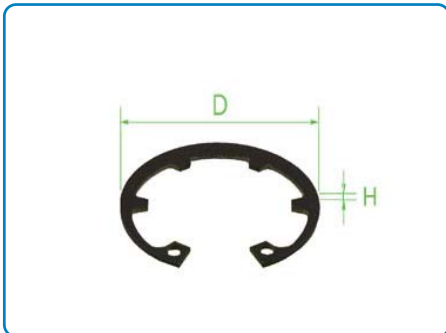
| Ref. | D | d | H |
|---------|----|---|------|
| RW-2998 | 60 | | 12,2 |

FIGURE 1.110



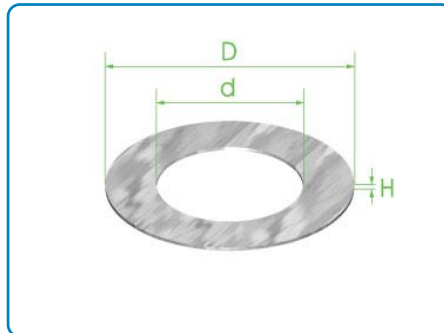
| Ref. | D | d | H |
|---------|----|---|-----|
| GP-1015 | 35 | | 1,5 |

FIGURE 1.108



| Ref. | D | d | H |
|---------|------|---|-----|
| GP-1012 | 32,6 | | 1,2 |

FIGURE 1.200



| Ref. | D | d | H |
|-------|----|---|---|
| 82001 | 10 | 7 | |

FIGURE 1.109



| Ref. | D | d | H |
|---------|---|---|---|
| RW-3001 | 0 | | 0 |

| | | | |
|-------|------|------|-----|
| 82047 | 22,7 | 14,4 | |
| 82026 | 23 | 10,7 | |
| 82043 | 23 | 13,3 | |
| 82069 | 24 | 18 | |
| 82057 | 24,3 | 17 | |
| 82061 | 24,5 | 18,2 | |
| 82055 | 24,7 | 16,2 | |
| 82074 | 25,5 | 16 | |
| 82040 | 26 | 13,1 | |
| 82060 | 26,3 | 18,7 | |
| 82075 | 27 | 18 | |
| 82062 | 27 | 20 | |
| 82084 | 28 | 21 | |
| 82063 | 28,5 | 21,3 | |
| 82076 | 29 | 19 | |
| 82033 | 30 | 12 | |
| 82064 | 31 | 21,5 | |
| 82077 | 31,3 | 25,2 | |
| 81022 | 38 | 16 | 0,2 |

| | | | |
|-------|------|------|---|
| 82003 | 10,2 | 7,4 | |
| 82007 | 13,8 | 8,2 | |
| 82019 | 13,9 | 10,3 | |
| 82004 | 14,8 | 7,5 | |
| 82083 | 15 | 8,2 | |
| 82086 | 15 | 10 | |
| 82012 | 15,5 | 9,8 | |
| 82085 | 16 | 10 | |
| 82009 | 16,8 | 8,3 | |
| 82011 | 17 | 9,2 | |
| 82023 | 17 | 10,5 | |
| 82008 | 18,2 | 8,2 | |
| 82017 | 18,3 | 10,2 | |
| 82025 | 18,5 | 10,7 | |
| 82031 | 18,5 | 11,3 | |
| 82038 | 19,2 | 12,7 | |
| 82021 | 19,7 | 10,4 | |
| 82070 | 20 | 10,4 | |
| 82027 | 20 | 10,8 | |
| 82042 | 20 | 13,3 | |
| 82029 | 20,1 | 11,1 | |
| 81021 | 21 | 10,5 | 2 |
| 82071 | 21 | 13 | |
| 82044 | 21,3 | 13,5 | |
| 82046 | 21,5 | 14,4 | |
| 82072 | 22 | 15,5 | |
| 82050 | 22,5 | 15,5 | |



FIGURES classified by diameter



| N Figure Reference | D | d | H | Figure |
|--------------------|------|------|------|--------|
| 502 798.70 | 6 | 3,5 | 11 | |
| 502 798 | 6 | 3,5 | 11 | |
| 32 675-A | 6,75 | 3,1 | 3 | |
| 502 797 | 7 | 4,5 | 11 | |
| 502 797.70 | 7 | 4,5 | 11 | |
| 30 673 | 7,15 | 2,3 | 4,2 | |
| 521 2141 | 7,78 | 5,13 | 1,8 | |
| 502 8297 | 7,8 | 12,7 | 13,4 | |
| 508 2148 | 7,9 | 4 | 1,9 | |
| 20 W-175 | 8,5 | 4 | 3 | |
| 29 W-138 | 8,5 | 4,7 | 2,8 | |
| 508 W-10 | 9 | 4,2 | 2,7 | |
| 258 2023 | 9,2 | | 13,5 | |
| 261 700 | 9,5 | 2,5 | 7,4 | |
| 30 674.70 | 9,5 | 3,6 | 4 | |
| 30 674 | 9,5 | 3,6 | 4 | |
| 39 8006 | 9,6 | 6,1 | 2,8 | |
| 502 796-B | 9,8 | 5,5 | 10 | |

| N Figure Reference | D | d | H | Figure |
|--------------------|-------|------|------|--------|
| 19 W-80 | 9,85 | 5,5 | 3,5 | |
| 39 W-98 | 10 | 5,5 | 3,3 | |
| 501 1289 | 10,3 | 6 | 2,2 | |
| 502 796.70 | 10,3 | 6,7 | 7,6 | |
| 502 796 | 10,3 | 6,7 | 7,6 | |
| 500 1923 | 10,4 | 5 | 2,15 | |
| 502 W-111 | 10,5 | 5 | 28,5 | |
| 26 W-130 | 10,6 | 6,35 | 2,7 | |
| 25 1348 | 10,78 | 6,3 | 4 | |
| 25 1348.70 | 10,78 | 6,3 | 4 | |
| 501 1910 | 11 | 6,95 | 2 | |
| 27 W-25 | 11,2 | 7,6 | 3 | |
| 501 1934 | 11,25 | 6,85 | 2 | |
| 501 1934.70 | 11,25 | 6,85 | 2 | |
| 508 W-11 | 11,65 | 6,5 | 2,85 | |
| 25 1349 | 11,8 | 7,3 | 4 | |
| 508 681-B | 11,95 | 7,3 | 2,7 | |
| 251 C-551 | 12 | 3,35 | 9,25 | |



FIGURES classified by diameter



| N | Figure Reference | D | d | H | Figure |
|-----|------------------|-------|------|------|--------|
| 502 | 796-A | 12 | 5 | 28,5 | |
| 25 | 2564-R | 12 | 7 | 2,9 | |
| 501 | 1932 | 12,3 | 8,3 | 2 | |
| 438 | 2219 | 12,3 | 11,6 | 55,6 | |
| 501 | W-52 | 12,35 | 8,65 | 2,15 | |
| 19 | 1334 | 12,5 | 7,5 | 3,9 | |
| 501 | 81000 | 12,5 | 8,5 | 3 | |
| 508 | 8163 | 12,5 | 11,5 | 2,8 | |
| 24 | 1329 | 12,55 | 7,3 | 4,1 | |
| 33 | 2548-R | 12,7 | 5,7 | 4 | |
| 501 | 1911 | 12,7 | 7,7 | 2,2 | |
| 501 | 1908 | 12,75 | 8 | 3 | |
| 39 | 1713 | 12,9 | 8,3 | 3,6 | |
| 263 | W-84 | 13 | 3 | 12 | |
| 54 | 1328 | 13,1 | 5,6 | 3,5 | |
| 22 | 675 | 13,1 | 6,5 | 4,1 | |
| 216 | 1863 | 13,2 | 6,9 | 11,7 | |
| 33 | C-856 | 13,2 | 9 | 2,1 | |

| N | Figure Reference | D | d | H | Figure |
|-----|------------------|-------|------|------|--------|
| 9 | W-12 | 13,23 | | 6 | |
| 505 | 8248 | 13,25 | 4,8 | 3,6 | |
| 49 | C-683-A | 13,3 | 8 | 4 | |
| 502 | 2310 | 13,3 | 10 | 26 | |
| 508 | 681 | 13,4 | 8,6 | 2,8 | |
| 505 | 2072 | 13,4 | 10 | 2,8 | |
| 31 | 675-I | 13,45 | 4,45 | 4,1 | |
| 31 | 675-I.70 | 13,45 | 4,45 | 4,1 | |
| 237 | 2392 | 13,45 | 11 | 17,4 | |
| 32 | C-844 | 13,5 | 6,65 | 3,85 | |
| 501 | 81001 | 13,8 | 9,1 | 1,6 | |
| 47 | W-36 | 13,85 | 8,8 | 4 | |
| 2 | 8217 | 14 | | 8 | |
| 14 | 8216 | 14 | 7,7 | 8 | |
| 500 | W-169 | 14 | 12 | 2 | |
| 49 | 1447 | 14,15 | 7,6 | 6,2 | |
| 42 | 1213 | 14,2 | 8,6 | 4,3 | |
| 12 | 2542-R | 14,29 | | 5,8 | |



FIGURES classified by diameter



| N | Figure Reference | D | d | H | Figure |
|-----|------------------|-------|------|------|--------|
| 1 | 2516-R | 14,29 | | 7,1 | |
| 34 | 2530-R | 14,29 | 7 | 5,3 | |
| 33 | 1794 | 14,29 | 8,5 | 3,5 | |
| 9 | 1401 | 14,5 | | 6,65 | |
| 501 | C-742 | 14,5 | 4 | 4 | |
| 28 | 1710 | 14,55 | 9,5 | 3,7 | |
| 24 | 1765 | 14,6 | 9,2 | 4,6 | |
| 25 | 670-U | 14,75 | 8,25 | 4 | |
| 25 | 670-U.70 | 14,75 | 8,25 | 4 | |
| 39 | 1616 | 14,75 | 10 | 4,1 | |
| 236 | 2272 | 14,8 | 9,3 | 13,9 | |
| 236 | 8067 | 14,8 | 9,7 | 15,5 | |
| 32 | 1748 | 14,85 | 7,2 | 5,4 | |
| 29 | 1498 | 14,9 | 8,2 | 5,2 | |
| 9 | 2193 | 15 | | 5,3 | |
| 33 | 1798 | 15 | 8,5 | 4 | |
| 28 | 1709 | 15,05 | 9,1 | 4,5 | |
| 39 | 1355 | 15,08 | 10,3 | 3,65 | |

| N | Figure Reference | D | d | H | Figure |
|-----|------------------|-------|------|------|--------|
| 19 | 2000 | 15,15 | 7,75 | 4,95 | |
| 40 | 1489 | 15,18 | 10 | 3,85 | |
| 9 | 600.70 | 15,2 | | 6,35 | |
| 9 | 600 | 15,2 | | 6,35 | |
| 33 | C-841 | 15,2 | 8,25 | 3,9 | |
| 19 | 1362 | 15,2 | 9,9 | 3,6 | |
| 501 | 1909 | 15,2 | 10 | 3,2 | |
| 43 | 1209 | 15,25 | 9,8 | 3,5 | |
| 501 | 1938.70 | 15,3 | 8,6 | 2,6 | |
| 501 | 1938 | 15,3 | 8,6 | 2,6 | |
| 39 | 1618 | 15,33 | 8,4 | 6,5 | |
| 19 | 1340 | 15,35 | 8,25 | 5,2 | |
| 40 | 1361 | 15,4 | 6,1 | 6,4 | |
| 16 | 501 | 15,43 | 9,75 | 5 | |
| 25 | 1439 | 15,45 | 8,9 | 5 | |
| 310 | 1833 | 15,5 | 6 | 44,2 | |
| 20 | 8017 | 15,5 | 8,25 | 4 | |
| 501 | 81002 | 15,5 | 10,7 | 3 | |



FIGURES classified by diameter



| N Figure Reference | D | d | H | Figure | |
|--------------------|----------------|-------|------|--------|--|
| 14 | 1732 | 15,5 | 11,6 | 6,7 | |
| 505 | 536-A | 15,53 | 9 | 3,55 | |
| 2 | 1395 | 15,55 | | 7,1 | |
| 2 | 1395.70 | 15,55 | | 7,1 | |
| 25 | W-65 | 15,55 | 8,8 | 5,2 | |
| 32 | 1236 | 15,58 | 9 | 6,8 | |
| 37 | 1615 | 15,6 | 8,2 | 4,5 | |
| 37 | 2119 | 15,6 | 8,6 | 4,6 | |
| 41 | 1626 | 15,6 | 10,3 | 4,6 | |
| 32 | 658 | 15,62 | 7,9 | 6,6 | |
| 32 | 658.70 | 15,62 | 7,9 | 6,6 | |
| 24 | 1405 | 15,63 | 9,7 | 5,8 | |
| 5 | 1332 | 15,7 | | 5 | |
| 49 | W-137 | 15,7 | 6,9 | 6,1 | |
| 508 | W-8 | 15,7 | 11,2 | 2,6 | |
| 5 | 551 | 15,75 | | 9,5 | |
| 14 | 1237 | 15,78 | 9,9 | 6,55 | |
| 501 | 3 | 15,8 | 3,25 | 0,75 | |

| N Figure Reference | D | d | H | Figure | |
|--------------------|---------------|-------|------|--------|--|
| 501 | 3.70 | 15,8 | 3,25 | 0,75 | |
| 54 | 1617 | 15,8 | 8,3 | 4,1 | |
| 501 | 1283 | 15,8 | 12,4 | 1,7 | |
| 54 | 1330 | 15,83 | 7,85 | 3,6 | |
| 508 | 1769 | 15,83 | 9,45 | 2,6 | |
| 54 | 1675 | 15,85 | 6,7 | 5,5 | |
| 32 | 1257 | 15,85 | 7,1 | 5 | |
| 29 | 1625 | 15,85 | 8,4 | 5 | |
| 32 | 1463 | 15,85 | 9,8 | 5,8 | |
| 16 | 2160 | 15,85 | 11,4 | 5,7 | |
| 12 | 2519-R | 15,87 | | 6 | |
| 24 | 8012 | 15,87 | 7,6 | 4,5 | |
| 26 | 2591-R | 15,87 | 7,8 | 4,6 | |
| 34 | 2526-R | 15,87 | 8,6 | 5,5 | |
| 37 | 1778 | 15,87 | 9 | 6,4 | |
| 20 | 2531-R | 15,87 | 9,8 | 5,6 | |
| 31 | 2518-R | 15,87 | 10 | 3,8 | |
| 14 | 2196 | 15,87 | 10 | 6,5 | |



FIGURES classified by diameter



| N | Figure Reference | D | d | H | Figure |
|-----|------------------|-------|------|-----|--------|
| 37 | 2562-R | 15,87 | 11,5 | 4 | |
| 42 | 1208 | 15,9 | 9,1 | 5,8 | |
| 27 | 1636 | 15,9 | 9,2 | 6,5 | |
| 37 | 8044 | 15,9 | 10 | 4,8 | |
| 305 | 1558 | 15,9 | 10,8 | 23 | |
| 2 | W-64 | 15,95 | | 7,4 | |
| 55 | 1339 | 15,95 | 5,2 | 3,8 | |
| 49 | 1369.70 | 15,95 | 8,7 | 6 | |
| 49 | 1369 | 15,95 | 8,7 | 6 | |
| 32 | 1624 | 15,95 | 9,15 | 6,5 | |
| 508 | 681-A | 15,95 | 11,3 | 2,6 | |
| 24 | 1354 | 15,98 | 8,5 | 4,7 | |
| 1 | 1397 | 16 | | 5 | |
| 501 | C-721 | 16 | 3 | 1,5 | |
| 24 | 1331 | 16 | 8,6 | 4 | |
| 25 | W-37 | 16 | 9 | 4,5 | |
| 32 | W-132 | 16 | 9,75 | 4 | |
| 32 | 8351 | 16 | 10 | 9,5 | |

| N | Figure Reference | D | d | H | Figure |
|-----|------------------|-------|------|------|--------|
| 257 | 2494 | 16 | 10,5 | 46,4 | |
| 31 | 1768 | 16,15 | 7,8 | 5,4 | |
| 49 | 1335 | 16,2 | 10,4 | 4,8 | |
| 32 | 1422.70 | 16,23 | 9,8 | 4 | |
| 32 | 1422 | 16,23 | 9,8 | 4 | |
| 24 | 1429 | 16,25 | 7,6 | 5,6 | |
| 322 | 1859 | 16,25 | 7,85 | 26,7 | |
| 36 | W-20 | 16,25 | 10,1 | 5,8 | |
| 257 | 2498 | 16,3 | 6,5 | 34,7 | |
| 9 | 601 | 16,35 | | 5,7 | |
| 23 | 2140 | 16,35 | 8,75 | 3,1 | |
| 31 | 1243 | 16,5 | 7,6 | 5,6 | |
| 42 | W-21 | 16,5 | 9 | 6 | |
| 304 | 1834 | 16,7 | 6 | 42 | |
| 302 | 1565 | 16,7 | 8 | 57,5 | |
| 23 | 8096 | 16,75 | 6,5 | 6,35 | |
| 501 | 81020 | 16,8 | 6,5 | 3 | |
| 508 | 8076 | 16,8 | 9,5 | 3 | |



FIGURES classified by diameter



| N | Figure Reference | D | d | H | Figure |
|-----|------------------|-------|------|------|--------|
| 501 | 6 | 16,9 | 6,8 | 3 | |
| 501 | 6.70 | 16,9 | 6,8 | 3 | |
| 251 | C-691 | 17 | 8 | 12 | |
| 30 | C-723 | 17 | 8,5 | 6,5 | |
| 33 | C-840 | 17 | 10 | 3,1 | |
| 32 | 1694 | 17,1 | 8 | 4,95 | |
| 54 | 2176 | 17,18 | 8,8 | 4,5 | |
| 216 | 1862 | 17,2 | 6 | 11,8 | |
| 508 | W-66 | 17,22 | 11,1 | 3,17 | |
| 27 | 655-A.70 | 17,25 | 9,5 | 5,25 | |
| 27 | 655-A | 17,25 | 9,5 | 5,25 | |
| 36 | 1761 | 17,25 | 10 | 5 | |
| 49 | 641.70 | 17,28 | 9 | 6,6 | |
| 49 | 641 | 17,28 | 9 | 6,6 | |
| 49 | 1239 | 17,28 | 10,1 | 6,1 | |
| 49 | 1239.70 | 17,28 | 10,1 | 6,1 | |
| 20 | C-734 | 17,3 | 8,4 | 4,2 | |
| 254 | 2036 | 17,3 | 8,9 | 19 | |

| N | Figure Reference | D | d | H | Figure |
|----|------------------|-------|------|------|--------|
| 42 | 1216 | 17,33 | 10,8 | 4,15 | |
| 36 | 1481 | 17,35 | 8,8 | 5 | |
| 32 | 2145 | 17,38 | 8,8 | 4 | |
| 32 | 1240 | 17,38 | 8,8 | 5 | |
| 32 | 1240.70 | 17,38 | 8,8 | 5 | |
| 42 | 2115 | 17,45 | 10,1 | 5,7 | |
| 24 | 1720 | 17,45 | 11 | 5,5 | |
| 54 | 2180 | 17,46 | 8 | 4 | |
| 54 | 2194 | 17,46 | 8,3 | 5 | |
| 32 | 629.70 | 17,46 | 8,6 | 5 | |
| 32 | 629 | 17,46 | 8,6 | 5 | |
| 54 | 2179 | 17,46 | 8,8 | 4,5 | |
| 32 | 1734 | 17,46 | 9,1 | 6,1 | |
| 26 | 2185 | 17,46 | 9,4 | 6 | |
| 27 | 1248 | 17,46 | 9,5 | 5,25 | |
| 28 | 8011 | 17,46 | 10,5 | 4,7 | |
| 29 | 8049 | 17,46 | 10,5 | 5 | |
| 27 | 2504-R | 17,46 | 10,7 | 5 | |

MANUFACTURAS WRKYNSON

www.wrakynson.com

Page 752 of 822



FIGURES classified by diameter



| N | Figure Reference | D | d | H | Figure |
|-----|------------------|-------|-------|-------|--------|
| 32 | 2153 | 17,46 | 10,8 | 4,9 | |
| 30 | 1776 | 17,47 | 7 | 6,5 | |
| 312 | 2084 | 17,5 | 4 | 61 | |
| 216 | 2487 | 17,5 | 6 | 11,6 | |
| 310 | 2469 | 17,5 | 8 | 74 | |
| 317 | 2087 | 17,5 | 8,5 | 28,35 | |
| 33 | 659.70 | 17,5 | 8,6 | 6,6 | |
| 33 | 659 | 17,5 | 8,6 | 6,6 | |
| 13 | 2161 | 17,5 | 10 | 6 | |
| 501 | 81018 | 17,5 | 12,5 | 2 | |
| 501 | 81003 | 17,5 | 13 | 2 | |
| 501 | 799-A | 17,5 | 13,25 | 2,3 | |
| 39 | 1719 | 17,55 | 7,7 | 6 | |
| 505 | 537 | 17,58 | 11 | 3,6 | |
| 54 | 1390 | 17,6 | 8 | 5,5 | |
| 43 | 1210 | 17,6 | 11,15 | 4 | |
| 14 | 2167 | 17,6 | 11,5 | 8,4 | |
| 14 | 1451 | 17,6 | 13,7 | 8 | |

| N | Figure Reference | D | d | H | Figure |
|-----|------------------|-------|-------|------|--------|
| 24 | 1406 | 17,63 | 9,4 | 4,5 | |
| 14 | 502 | 17,65 | 10,6 | 9,5 | |
| 11 | 1496 | 17,8 | | 8,2 | |
| 32 | 1310 | 17,8 | 7,25 | 4,9 | |
| 257 | 1836 | 17,8 | 8 | 18 | |
| 257 | 1866 | 17,8 | 9,6 | 15,6 | |
| 42 | 640-B | 17,8 | 11,05 | 5,75 | |
| 11 | 1420 | 17,85 | | 5,9 | |
| 1 | 552.70 | 17,85 | | 8 | |
| 1 | 552 | 17,85 | | 8 | |
| 24 | W-23 | 17,85 | 8,1 | 4,5 | |
| 24 | 1431 | 17,85 | 8,6 | 5,9 | |
| 24 | 1408 | 17,85 | 9,35 | 4,8 | |
| 27 | 655 | 17,85 | 9,7 | 5 | |
| 27 | 655.70 | 17,85 | 9,7 | 5 | |
| 9 | 602 | 17,88 | | 6 | |
| 37 | 1421 | 17,9 | 6 | 6,8 | |
| 31 | 1493 | 17,9 | 8 | 4,6 | |



FIGURES classified by diameter



| N | Figure Reference | D | d | H | Figure |
|-----|------------------|-------|-------|------|--------|
| 49 | 1221 | 17,9 | 10,8 | 6,6 | |
| 49 | 1221.70 | 17,9 | 10,8 | 6,6 | |
| 24 | 1499 | 17,9 | 11,3 | 4,3 | |
| 508 | 681-C | 17,9 | 13,5 | 2,75 | |
| 19 | 1333 | 17,95 | 8,5 | 6,05 | |
| 238 | 2046 | 18 | 7 | 9 | |
| 501 | W-49 | 18 | 8 | 4 | |
| 40 | 2590-R | 18 | 8,75 | 6,5 | |
| 67 | 1540 | 18 | 9,9 | 3,5 | |
| 29 | 1698 | 18,03 | 11,05 | 5 | |
| 32 | 1757 | 18,05 | 9,6 | 6,2 | |
| 21 | 1459 | 18,05 | 12,1 | 6,4 | |
| 32 | 1728.70 | 18,1 | 9,8 | 5,5 | |
| 32 | 1728 | 18,1 | 9,8 | 5,5 | |
| 509 | 2427 | 18,1 | 12,5 | 3 | |
| 32 | 1718 | 18,1 | 14 | 2,7 | |
| 39 | 1356 | 18,18 | 13,5 | 3,8 | |
| 19 | 1394 | 18,25 | 11,5 | 6,1 | |

| N | Figure Reference | D | d | H | Figure |
|-----|------------------|-------|------|------|--------|
| 32 | 8155 | 18,26 | 6,3 | 6,5 | |
| 212 | 1593 | 18,3 | 5,5 | 12,5 | |
| 203 | 747 | 18,3 | 7 | 10,3 | |
| 210 | 747-A | 18,3 | 9,8 | 7,5 | |
| 28 | 1679 | 18,3 | 11,8 | 4,5 | |
| 7 | 553-A | 18,35 | | 11 | |
| 28 | 1647 | 18,35 | 11,1 | 5,8 | |
| 28 | 1647.70 | 18,35 | 11,1 | 5,8 | |
| 40 | 1659 | 18,35 | 12,8 | 3,8 | |
| 52 | 1305 | 18,4 | 7,6 | 3,6 | |
| 25 | W-157 | 18,4 | 10,8 | 4,2 | |
| 508 | W-61 | 18,4 | 11,5 | 5 | |
| 37 | 2120 | 18,45 | 11,9 | 6,5 | |
| 209 | 1525 | 18,5 | 7,8 | 7,5 | |
| 309 | 836 | 18,5 | 8,5 | 44 | |
| 39 | 1665 | 18,5 | 9,6 | 7,3 | |
| 236 | G-33 | 18,5 | 10,5 | 11,7 | |
| 28 | 1704 | 18,5 | 11 | 4,7 | |



FIGURES classified by diameter



| N | Figure Reference | D | d | H | Figure |
|-----|------------------|-------|------|------|--------|
| 508 | 8162 | 18,5 | 12 | 2,9 | |
| 23 | W-92 | 18,5 | 12 | 4 | |
| 500 | W-108 | 18,5 | 15 | 2,5 | |
| 5 | 556-B.70 | 18,55 | | 8,9 | |
| 5 | 556-B | 18,55 | | 8,9 | |
| 47 | 529 | 18,6 | 10,5 | 8,2 | |
| 236 | 1508 | 18,6 | 10,6 | 11,7 | |
| 28 | 1763 | 18,65 | 10,9 | 4,6 | |
| 42 | 1612 | 18,65 | 12,2 | 7 | |
| 45 | 1306 | 18,65 | 12,3 | 4 | |
| 32 | 1749 | 18,7 | 10,5 | 5,7 | |
| 505 | 539-A | 18,7 | 11 | 4 | |
| 20 | C-896 | 18,7 | 12,2 | 4 | |
| 29 | 2118 | 18,75 | 12,4 | 5,8 | |
| 13 | 503 | 18,78 | 10,8 | 7 | |
| 18 | 1376 | 18,85 | 11,3 | 6,5 | |
| 21 | 682 | 18,85 | 12 | 5 | |
| 54 | 1398 | 18,9 | 10,5 | 4,7 | |

| N | Figure Reference | D | d | H | Figure |
|-----|------------------|-------|-------|------|--------|
| 32 | 663 | 18,9 | 10,9 | 4,8 | |
| 13 | 506 | 18,9 | 11 | 7 | |
| 14 | 502-A | 18,9 | 11,2 | 9,7 | |
| 54 | 2126 | 18,9 | 11,5 | 4 | |
| 38 | 1256.70 | 18,93 | 9,3 | 3,9 | |
| 38 | 1256 | 18,93 | 9,3 | 3,9 | |
| 54 | 1697 | 18,95 | 7,5 | 4,6 | |
| 53 | 1399 | 18,95 | 7,8 | 4,5 | |
| 82 | 1250.70 | 18,95 | 10,55 | 4,9 | |
| 82 | 1250 | 18,95 | 10,55 | 4,9 | |
| 40 | 1611 | 18,95 | 11,5 | 5,8 | |
| 2 | 1600 | 19 | | 6 | |
| 10 | 550-C | 19 | | 6 | |
| 257 | 826 | 19 | 5,75 | 39,2 | |
| 501 | W-42 | 19 | 10,25 | 2 | |
| 32 | 2100 | 19 | 11 | 5,2 | |
| 215 | 8218 | 19 | 11 | 9 | |
| 20 | 1402 | 19 | 11,6 | 4,15 | |

MANUFACTURAS WRKYNSON

www.wrakynson.com

Page 755 of 822



FIGURES classified by diameter



| N | Figure Reference | D | d | H | Figure |
|-----|------------------|-------|------|------|--------|
| 267 | 2412 | 19 | 12 | 4 | |
| 508 | 952 | 19 | 13,4 | 2,8 | |
| 501 | 1284 | 19 | 15,6 | 1,7 | |
| 32 | 657.70 | 19,03 | 10,4 | 5 | |
| 32 | 657 | 19,03 | 10,4 | 5 | |
| 24 | 1412 | 19,03 | 11 | 4,1 | |
| 54 | 2558-R | 19,05 | 8 | 4,6 | |
| 40 | 2554-R | 19,05 | 8,2 | 7 | |
| 40 | 2569-R | 19,05 | 8,8 | 6,4 | |
| 54 | 1360 | 19,05 | 9,2 | 4,65 | |
| 36 | 1484 | 19,05 | 9,3 | 7,3 | |
| 47 | 2164 | 19,05 | 9,6 | 4,2 | |
| 40 | 2509-R | 19,05 | 9,7 | 6,9 | |
| 37 | 2510-R | 19,05 | 9,8 | 6 | |
| 32 | 2565-R | 19,05 | 10 | 4 | |
| 25 | 2513-R | 19,05 | 10,1 | 6,6 | |
| 49 | 640.70 | 19,05 | 10,4 | 6,6 | |
| 49 | 640 | 19,05 | 10,4 | 6,6 | |

| N | Figure Reference | D | d | H | Figure |
|-----|------------------|-------|-------|------|--------|
| 54 | 550-B | 19,05 | 11,4 | 5 | |
| 40 | 2561-R | 19,05 | 11,5 | 6,8 | |
| 50 | 8008 | 19,05 | 11,8 | 6,2 | |
| 29 | 8014 | 19,05 | 12,4 | 4,8 | |
| 508 | 536 | 19,05 | 13 | 3 | |
| 14 | 2560-R | 19,05 | 13,5 | 10,5 | |
| 15 | 906 | 19,1 | 10,6 | 7 | |
| 24 | 1359 | 19,1 | 11,15 | 5 | |
| 42 | 2116 | 19,13 | 11 | 5,9 | |
| 54 | 2124 | 19,15 | 7,7 | 4,5 | |
| 32 | 660.70 | 19,15 | 8,5 | 6,3 | |
| 32 | 660 | 19,15 | 8,5 | 6,3 | |
| 40 | 1419 | 19,15 | 8,8 | 6,8 | |
| 42 | 640-A | 19,15 | 12,45 | 5,65 | |
| 42 | 640-A.70 | 19,15 | 12,45 | 5,65 | |
| 216 | 1864 | 19,2 | 7,1 | 11,8 | |
| 32 | 1699 | 19,2 | 10 | 4,5 | |
| 509 | 8022 | 19,2 | 13 | 4 | |



FIGURES classified by diameter



| N | Figure Reference | D | d | H | Figure |
|-----|------------------|-------|-------|------|--------|
| 42 | 1752 | 19,25 | 11,1 | 4 | |
| 20 | W-38 | 19,25 | 11,4 | 4,5 | |
| 24 | 1464 | 19,25 | 12,3 | 4,5 | |
| 501 | 1912 | 19,25 | 14,95 | 2,25 | |
| 8 | W-6 | 19,28 | 5 | 7,5 | |
| 307 | 1871 | 19,3 | 5 | 44 | |
| 204 | 1581 | 19,3 | 6 | 15,5 | |
| 24 | 1336 | 19,3 | 8,2 | 6,3 | |
| 27 | 576 | 19,3 | 8,5 | 4,85 | |
| 27 | 576.70 | 19,3 | 8,5 | 4,85 | |
| 54 | 1610 | 19,3 | 10,1 | 5,3 | |
| 27 | 656 | 19,3 | 11 | 5 | |
| 27 | 656.70 | 19,3 | 11 | 5 | |
| 5 | 556-A | 19,35 | | 9 | |
| 5 | 556-A.70 | 19,35 | | 9 | |
| 27 | 2002 | 19,38 | 9 | 6 | |
| 24 | 1410 | 19,38 | 10 | 6,5 | |
| 257 | 1539 | 19,4 | 6,2 | 19,8 | |

| N | Figure Reference | D | d | H | Figure |
|-----|------------------|-------|-------|------|--------|
| 38 | 1247 | 19,4 | 11,3 | 3,8 | |
| 509 | 1642.70 | 19,4 | 13,95 | 3,4 | |
| 509 | 1642 | 19,4 | 14,65 | 3,4 | |
| 11 | 1414 | 19,43 | | 6,2 | |
| 29 | 2162 | 19,43 | 11,6 | 5 | |
| 1 | 556 | 19,45 | | 7,5 | |
| 23 | 2172 | 19,45 | 7,3 | 6,3 | |
| 51 | 641-D | 19,45 | 10,6 | 6,3 | |
| 14 | 1371 | 19,45 | 15,2 | 8,25 | |
| 32 | 1441 | 19,48 | 10,15 | 6,7 | |
| 9 | 606 | 19,5 | | 6,5 | |
| 1 | 553 | 19,5 | | 7,4 | |
| 203 | 706-S | 19,5 | 6 | 8,5 | |
| 233 | 2394 | 19,5 | 6 | 12 | |
| 30 | 660-C | 19,53 | 8,85 | 7,3 | |
| 9 | 603 | 19,6 | | 6,4 | |
| 9 | 603.70 | 19,6 | | 6,5 | |
| 16 | 1746 | 19,6 | 13 | 4,2 | |



FIGURES classified by diameter



| N Figure Reference | D | d | H | Figure | |
|--------------------|---------------|-------|-------|--------|--|
| 16 | 2003 | 19,65 | 10,3 | 7,6 | |
| 509 | 1385 | 19,65 | 14,15 | 2,75 | |
| 219 | 1584 | 19,7 | 8 | 13,7 | |
| 39 | 1672 | 19,75 | 12,7 | 6 | |
| 25 | C-931 | 19,75 | 14 | 2,85 | |
| 207 | 745 | 19,8 | 8,5 | 9,5 | |
| 505 | 539 | 19,8 | 11,45 | 4 | |
| 505 | 539.70 | 19,8 | 11,45 | 4 | |
| 28 | 1717 | 19,83 | 13,3 | 4,5 | |
| 32 | 2111 | 19,85 | 13,55 | 4,8 | |
| 508 | 683 | 19,88 | 12,1 | 5,6 | |
| 18 | W-129 | 19,9 | 11,4 | 5 | |
| 25 | W-161 | 19,9 | 12,3 | 4,2 | |
| 307 | 1538 | 20 | 3,8 | 31,5 | |
| 251 | 1888 | 20 | 4 | 11,5 | |
| 250 | 8041 | 20 | 5 | 18 | |
| 257 | G-3 | 20 | 6 | 43 | |
| 217 | G-8 | 20 | 8 | 22 | |

| N Figure Reference | D | d | H | Figure | |
|--------------------|--------------|-------|-------|--------|--|
| 214 | 709 | 20 | 8,5 | 11 | |
| 61 | W-18 | 20 | 10 | 7 | |
| 501 | W-43 | 20 | 12 | 3 | |
| 506 | 543 | 20 | 13,7 | 3,7 | |
| 326 | 8367 | 20 | 16,5 | 23,5 | |
| 241 | 1502 | 20 | 20 | 21 | |
| 327 | 1501 | 20 | 20 | 31 | |
| 208 | 1503 | 20,1 | 5 | 9,5 | |
| 30 | W-120 | 20,1 | 8,5 | 4,85 | |
| 49 | W-158 | 20,1 | 10,9 | 6,5 | |
| 31 | 1470 | 20,15 | 11,3 | 5,5 | |
| 19 | 1392 | 20,15 | 13,6 | 5,5 | |
| 321 | 2327 | 20,2 | 5,5 | 45 | |
| 54 | W-165 | 20,2 | 8,5 | 4,85 | |
| 505 | 1403 | 20,28 | 12,45 | 4 | |
| 32 | 642 | 20,3 | 12 | 5 | |
| 39 | 1614 | 20,3 | 12,9 | 7 | |
| 27 | 1687 | 20,3 | 13,1 | 4,5 | |



FIGURES classified by diameter



| N | Figure Reference | D | d | H | Figure |
|-----|------------------|-------|------|------|--------|
| 45 | 2121 | 20,33 | 13,5 | 6,6 | |
| 39 | 1671 | 20,35 | 12,8 | 6 | |
| 54 | 1670 | 20,38 | 10,4 | 5 | |
| 251 | 1582 | 20,4 | 7 | 16,4 | |
| 54 | 1391 | 20,4 | 10 | 4,5 | |
| 27 | 1259 | 20,4 | 10 | 4,8 | |
| 40 | 1613 | 20,4 | 10,2 | 7,4 | |
| 14 | 1450 | 20,43 | 14,3 | 7,7 | |
| 39 | 1758 | 20,45 | 10 | 7,8 | |
| 303 | 1867 | 20,5 | 4,7 | 42 | |
| 250 | 2243 | 20,5 | 4,8 | 15,5 | |
| 238 | 804 | 20,5 | 5,5 | 8 | |
| 239 | 2026 | 20,5 | 6,5 | 8,4 | |
| 257 | 1835 | 20,5 | 8 | 17,8 | |
| 316 | 8246 | 20,5 | 9,5 | 60 | |
| 32 | 661-A | 20,5 | 10 | 6,6 | |
| 32 | 1471 | 20,5 | 10,4 | 4,7 | |
| 32 | 1234 | 20,5 | 11,8 | 5 | |

| N | Figure Reference | D | d | H | Figure |
|-----|------------------|-------|------|------|--------|
| 32 | 1234-A | 20,5 | 11,8 | 5,5 | |
| 217 | G-6 | 20,5 | 14 | 16 | |
| 15 | 507 | 20,53 | 13,3 | 6,8 | |
| 54 | 1363 | 20,55 | 8,75 | 5,1 | |
| 39 | 1303 | 20,55 | 11 | 4 | |
| 20 | 1260 | 20,55 | 11,5 | 3,8 | |
| 24 | 682-C | 20,55 | 12,5 | 5,5 | |
| 14 | 2135 | 20,55 | 13 | 7,4 | |
| 9 | W-156 | 20,6 | | 7,2 | |
| 7 | W-5 | 20,6 | | 11 | |
| 212 | 2024 | 20,6 | 8,5 | 9,85 | |
| 316 | 8116 | 20,6 | 9,4 | 60 | |
| 82 | 1254 | 20,6 | 11,7 | 5,3 | |
| 42 | 1230 | 20,6 | 12 | 4,4 | |
| 49 | 639-A | 20,6 | 12 | 6,5 | |
| 49 | 639-A.70 | 20,6 | 12 | 6,5 | |
| 39 | 1379 | 20,6 | 13 | 6,5 | |
| 28 | 8302 | 20,6 | 13,5 | 4,6 | |

MANUFACTURAS WRKYNSON

www.wrakynson.com

Page 759 of 822



FIGURES classified by diameter



| N | Figure Reference | D | d | H | Figure |
|----|------------------|-------|------|-----|--------|
| 20 | C-866 | 20,6 | 14,5 | 4,8 | |
| 33 | C-898 | 20,6 | 14,5 | 5,2 | |
| 40 | 1418 | 20,63 | 9,7 | 7,4 | |
| 43 | 1211 | 20,63 | 12,7 | 4 | |
| 11 | 8050 | 20,64 | | 7 | |
| 40 | 2523-R | 20,64 | 8 | 7 | |
| 40 | 2508-R | 20,64 | 8 | 7 | |
| 54 | 2555-R | 20,64 | 9,4 | 5 | |
| 33 | 2556-R | 20,64 | 10 | 6,6 | |
| 41 | 1784 | 20,64 | 10,7 | 6,5 | |
| 54 | 2197 | 20,64 | 11 | 5 | |
| 54 | 2563-R | 20,64 | 11 | 5 | |
| 29 | 2593-R | 20,64 | 11,6 | 5,1 | |
| 24 | 2592-R | 20,64 | 11,8 | 5,7 | |
| 35 | 1791 | 20,64 | 12,2 | 4,6 | |
| 28 | 1338 | 20,64 | 12,2 | 6 | |
| 14 | 2552-R | 20,64 | 12,2 | 9,3 | |
| 28 | 2181 | 20,64 | 12,8 | 5,5 | |

| N | Figure Reference | D | d | H | Figure |
|-----|------------------|-------|-------|------|--------|
| 54 | 8040 | 20,64 | 13 | 4,2 | |
| 26 | 1789 | 20,64 | 13 | 4,8 | |
| 14 | 2188 | 20,64 | 13,2 | 8,6 | |
| 36 | 1795 | 20,64 | 13,5 | 6 | |
| 42 | 2577-R | 20,64 | 13,6 | 4,7 | |
| 47 | 1783 | 20,64 | 13,7 | 6 | |
| 33 | 1797 | 20,64 | 13,8 | 5 | |
| 25 | 2512-R | 20,64 | 14 | 5,9 | |
| 4 | 557 | 20,65 | | 9 | |
| 4 | 557.70 | 20,65 | | 9 | |
| 32 | 2133 | 20,65 | 13,6 | 3,9 | |
| 42 | 633 | 20,65 | 13,6 | 5,7 | |
| 14 | 1635 | 20,65 | 14,1 | 7,7 | |
| 218 | 700-A | 20,7 | 9 | 11 | |
| 45 | 1223 | 20,7 | 13,55 | 3,85 | |
| 218 | 2236 | 20,7 | 13,6 | 15,9 | |
| 4 | W-3 | 20,75 | | 7 | |
| 52 | 1224 | 20,75 | 8,65 | 3,65 | |



FIGURES classified by diameter



| N Figure Reference | D | d | H | Figure | |
|--------------------|----------------|-------|-------|--------|--|
| 42 | W-163 | 20,75 | 9 | 6 | |
| 24 | 1453 | 20,75 | 12,1 | 4,5 | |
| 35 | 1381 | 20,75 | 12,95 | 5,1 | |
| 501 | 11 | 20,8 | | 2,4 | |
| 40 | 8229 | 20,8 | 10 | 7 | |
| 27 | 559 | 20,8 | 12 | 5 | |
| 14 | 2137 | 20,8 | 16,1 | 11,5 | |
| 34 | 1380 | 20,83 | 7,1 | 7,5 | |
| 32 | 661-B | 20,85 | 9,8 | 6,2 | |
| 24 | 1766 | 20,85 | 12,5 | 6,4 | |
| 39 | 1715 | 20,9 | 7,8 | 7 | |
| 34 | 1716 | 20,9 | 7,8 | 7 | |
| 51 | 639-B | 20,9 | 11,8 | 6,3 | |
| 58 | C-892 | 20,9 | 12,7 | 6 | |
| 39 | 1712 | 20,9 | 14,3 | 4,1 | |
| 505 | 1601 | 20,95 | 10,5 | 4 | |
| 505 | 1601.70 | 20,95 | 10,5 | 4 | |
| 203 | 802 | 21 | 5 | 20 | |

| N Figure Reference | D | d | H | Figure | |
|--------------------|--------------|-------|-------|--------|--|
| 315 | 1583 | 21 | 5 | 27 | |
| 251 | 800 | 21 | 6,5 | 14 | |
| 211 | G-51 | 21 | 7 | 9 | |
| 251 | G-4 | 21 | 7 | 14,25 | |
| 34 | 1483 | 21 | 7,9 | 7 | |
| 33 | 670 | 21 | 9,5 | 6 | |
| 305 | 8156 | 21 | 9,5 | 58 | |
| 236 | 1510 | 21 | 10,5 | 11,9 | |
| 24 | 1217 | 21 | 10,6 | 6,75 | |
| 501 | 81019 | 21 | 12 | 4,8 | |
| 29 | 1364 | 21 | 14 | 5 | |
| 500 | W-112 | 21 | 17 | 2,3 | |
| 241 | 1563 | 21 | 21 | 11,2 | |
| 29 | 1344 | 21,05 | 14,05 | 4,95 | |
| 11 | 1413 | 21,13 | | 7,4 | |
| 9 | 607 | 21,14 | | 6,9 | |
| 9 | 2201 | 21,15 | | 6,8 | |
| 54 | 1382 | 21,15 | 12 | 4,5 | |



FIGURES classified by diameter



| N Figure Reference | D | d | H | Figure | |
|--------------------|----------------|-------|-------|--------|--|
| 28 | 1759 | 21,2 | 12,4 | 6 | |
| 323 | 8054 | 21,2 | 14 | 53 | |
| 509 | 1386 | 21,2 | 15,7 | 2,75 | |
| 12 | 1415 | 21,25 | | 6,5 | |
| 28 | 1725 | 21,25 | 13,2 | 4,7 | |
| 28 | 1689 | 21,25 | 13,5 | 4,5 | |
| 501 | W-75 | 21,3 | 7,8 | 2,7 | |
| 501 | 8092 | 21,4 | 12,6 | 4,75 | |
| 27 | 8033 | 21,4 | 13,25 | 3 | |
| 16 | 526 | 21,4 | 13,7 | 7 | |
| 19 | 1300.70 | 21,4 | 14,6 | 5,8 | |
| 19 | 1300 | 21,4 | 14,6 | 5,8 | |
| 214 | 728 | 21,5 | 7,5 | 9,5 | |
| 27 | W-166 | 21,6 | 11,7 | 5,3 | |
| 259 | 1520 | 21,7 | 8,2 | 10,8 | |
| 14 | 1233 | 21,7 | 14 | 10 | |
| 505 | 541-A | 21,7 | 14,5 | 5 | |
| 54 | 1608 | 21,75 | 11,8 | 4,6 | |

| N Figure Reference | D | d | H | Figure | |
|--------------------|----------------|-------|-------|--------|--|
| 13 | 2131 | 21,75 | 13,5 | 5,3 | |
| 39 | 1620 | 21,78 | 13,7 | 8 | |
| 59 | 8042 | 21,8 | 16,5 | 4 | |
| 14 | 1632 | 21,8 | 17 | 7,7 | |
| 26 | 2142 | 21,85 | 13,4 | 5,3 | |
| 246 | 2285 | 21,9 | 7,9 | 12,2 | |
| 16 | 504 | 21,9 | 13,5 | 8 | |
| 41 | 1452.70 | 21,9 | 14 | 4,9 | |
| 41 | 1452 | 21,9 | 14 | 4,9 | |
| 37 | 1633 | 21,9 | 14 | 7 | |
| 21 | 1691 | 21,9 | 14,1 | 4,4 | |
| 54 | 550-A | 21,93 | 13,9 | 5 | |
| 20 | 1711 | 21,95 | 13,3 | 3,8 | |
| 27 | 1235.70 | 21,95 | 13,4 | 5 | |
| 27 | 1235 | 21,95 | 13,4 | 5 | |
| 42 | 1643 | 21,95 | 13,5 | 6,7 | |
| 43 | 1442 | 21,95 | 14 | 7,9 | |
| 14 | 1440 | 21,98 | 15,15 | 8,25 | |



FIGURES classified by diameter



| N | Figure Reference | D | d | H | Figure |
|-----|------------------|-------|-------|------|--------|
| 12 | 550 | 22 | | 4,75 | |
| 203 | 2308 | 22 | 6,5 | 18 | |
| 251 | 801 | 22 | 7 | 9 | |
| 212 | 702 | 22 | 7 | 9 | |
| 233 | 1546 | 22 | 7 | 12 | |
| 257 | 1877 | 22 | 7,8 | 18,5 | |
| 257 | 8030 | 22 | 8 | 43,5 | |
| 211 | 706 | 22 | 8,5 | 10 | |
| 28 | 1706 | 22 | 13,4 | 6,6 | |
| 237 | 730 | 22 | 17 | 14 | |
| 38 | 1304 | 22,03 | 12,45 | 3,9 | |
| 38 | 1304.70 | 22,03 | 12,45 | 3,9 | |
| 82 | 1253 | 22,03 | 12,83 | 5,9 | |
| 32 | 1226 | 22,08 | 13,35 | 5 | |
| 52 | 1654 | 22,1 | 7,05 | 4 | |
| 36 | C-839 | 22,1 | 12,9 | 5 | |
| 32 | 671-U | 22,1 | 13,1 | 6 | |
| 41 | 1449 | 22,15 | 11,4 | 10,3 | |

| N | Figure Reference | D | d | H | Figure |
|-----|------------------|-------|-------|------|--------|
| 42 | 645 | 22,15 | 14 | 7 | |
| 24 | 1743 | 22,15 | 16,2 | 4,9 | |
| 9 | W-159 | 22,2 | | 7,2 | |
| 208 | 1504 | 22,2 | 6,9 | 9,7 | |
| 200 | 2418 | 22,2 | 7,7 | 17,2 | |
| 243 | 1803 | 22,2 | 8 | 14 | |
| 54 | 1346 | 22,2 | 9,2 | 4,5 | |
| 54 | 1673 | 22,2 | 9,8 | 5 | |
| 35 | 2566-R | 22,2 | 10,5 | 7 | |
| 32 | 1231.70 | 22,2 | 11,65 | 4,85 | |
| 32 | 1231 | 22,2 | 11,65 | 4,85 | |
| 54 | 1343 | 22,2 | 12,8 | 4,5 | |
| 27 | 2583-R | 22,2 | 12,9 | 4,6 | |
| 28 | 1337 | 22,2 | 13,4 | 6 | |
| 35 | 1786 | 22,2 | 13,5 | 5 | |
| 38 | 1367.70 | 22,2 | 13,8 | 3,8 | |
| 38 | 1367 | 22,2 | 13,8 | 3,8 | |
| 47 | 1782 | 22,2 | 14 | 5,2 | |



FIGURES classified by diameter



| N | Figure Reference | D | d | H | Figure |
|----|------------------|-------|-------|------|--------|
| 44 | 2575-R | 22,2 | 14,1 | 5,3 | |
| 45 | 2586-R | 22,2 | 15,2 | 4,8 | |
| 54 | 2540-R | 22,22 | 10 | 5 | |
| 33 | 1790 | 22,22 | 10 | 7,2 | |
| 47 | 1785 | 22,22 | 11,7 | 7,2 | |
| 48 | 2544-R | 22,22 | 13 | 7,5 | |
| 14 | 2545-R | 22,22 | 13,4 | 10,3 | |
| 22 | 1232 | 22,23 | 13 | 3,65 | |
| 49 | 641-A.70 | 22,23 | 13,75 | 6,75 | |
| 49 | 641-A | 22,23 | 13,75 | 6,75 | |
| 32 | 662 | 22,25 | 10,8 | 7 | |
| 32 | 662.70 | 22,25 | 10,8 | 7 | |
| 54 | 1443 | 22,25 | 11 | 5,6 | |
| 54 | 1619 | 22,25 | 11,2 | 4 | |
| 42 | 1341 | 22,25 | 13,8 | 6,1 | |
| 27 | 643.70 | 22,25 | 14 | 5,3 | |
| 27 | 643 | 22,25 | 14 | 5,3 | |
| 20 | W-89 | 22,25 | 15 | 4 | |

| N | Figure Reference | D | d | H | Figure |
|-----|------------------|-------|-------|-----|--------|
| 42 | 1722 | 22,25 | 15,5 | 5,7 | |
| 24 | 1342 | 22,28 | 13,9 | 5 | |
| 5 | 554 | 22,3 | | 8 | |
| 5 | 554.70 | 22,3 | | 8 | |
| 207 | 746 | 22,3 | 8,6 | 11 | |
| 32 | 1733 | 22,3 | 12,1 | 5,2 | |
| 24 | 1607 | 22,3 | 13,9 | 4,5 | |
| 46 | 1655 | 22,3 | 15,4 | 3,3 | |
| 46 | 1685 | 22,35 | 15,4 | 3,3 | |
| 42 | 637.70 | 22,35 | 15,6 | 5,5 | |
| 42 | 637 | 22,35 | 15,6 | 5,5 | |
| 203 | 748 | 22,4 | 7,8 | 9,7 | |
| 24 | 1756.70 | 22,4 | 11,9 | 7 | |
| 24 | 1756 | 22,4 | 11,9 | 7 | |
| 32 | 1702 | 22,4 | 13 | 6,4 | |
| 32 | 1674 | 22,4 | 14,2 | 5,4 | |
| 24 | 1409 | 22,4 | 14,42 | 4,5 | |
| 40 | 1387 | 22,45 | 10,4 | 7,6 | |



FIGURES classified by diameter



| N | Figure Reference | D | d | H | Figure |
|-----|------------------|-------|-------|------|--------|
| 54 | 1649 | 22,45 | 13,05 | 5,2 | |
| 51 | 641-B.70 | 22,45 | 13,4 | 6,4 | |
| 51 | 641-B | 22,45 | 13,4 | 6,4 | |
| 27 | 2136 | 22,48 | 14 | 4 | |
| 9 | 604 | 22,5 | | 8 | |
| 5 | 8079 | 22,5 | | 9,5 | |
| 257 | 825 | 22,5 | 8 | 40,5 | |
| 31 | 1479 | 22,5 | 9,2 | 7,4 | |
| 32 | 674-I | 22,5 | 11 | 5 | |
| 32 | 674-I.70 | 22,5 | 11 | 5 | |
| 24 | 1631 | 22,5 | 13,5 | 7 | |
| 505 | 541.70 | 22,5 | 14,6 | 5 | |
| 505 | 541 | 22,5 | 14,6 | 5 | |
| 24 | 8001 | 22,5 | 15 | 5,2 | |
| 2 | 558 | 22,55 | | 8 | |
| 2 | 558.70 | 22,55 | | 8 | |
| 66 | 1301 | 22,55 | 13,1 | 6,5 | |
| 49 | 1220 | 22,55 | 13,8 | 6,6 | |

| N | Figure Reference | D | d | H | Figure |
|-----|------------------|-------|------|------|--------|
| 49 | 1220.70 | 22,55 | 13,8 | 6,6 | |
| 40 | 1430 | 22,58 | 10,9 | 7,4 | |
| 40 | 1417 | 22,6 | 9,8 | 7,5 | |
| 24 | 1215 | 22,6 | 10,7 | 6,85 | |
| 48 | 1602 | 22,6 | 12,9 | 7,1 | |
| 39 | 1638 | 22,6 | 13,7 | 5,9 | |
| 18 | 1389 | 22,6 | 14 | 6,2 | |
| 32 | 661 | 22,6 | 14 | 7 | |
| 42 | 2109 | 22,6 | 15,5 | 3,9 | |
| 41 | 1428 | 22,65 | 11,7 | 7,05 | |
| 28 | 1314 | 22,7 | 14 | 6,5 | |
| 27 | 1754 | 22,7 | 16,2 | 5 | |
| 63 | 668 | 22,75 | 11 | 13,5 | |
| 13 | 8097 | 22,75 | 13,2 | 5 | |
| 29 | 1656 | 22,78 | 13,9 | 5 | |
| 6 | 558-AL | 22,8 | | 9,7 | |
| 32 | 676-I | 22,8 | 8,1 | 7 | |
| 311 | 2240 | 22,8 | 9,5 | 51 | |



FIGURES classified by diameter



| N | Figure Reference | D | d | H | Figure |
|-----|------------------|-------|------|------|--------|
| 41 | 1454 | 22,85 | 11,7 | 7 | |
| 9 | 608.70 | 22,86 | | 6,9 | |
| 9 | 608 | 22,86 | | 6,9 | |
| 26 | 8235 | 22,9 | 11,5 | 7 | |
| 27 | W-121 | 22,9 | 13 | 5 | |
| 19 | 1353 | 22,95 | 16,2 | 5,8 | |
| 13 | 508.70 | 22,98 | 13,6 | 7,8 | |
| 13 | 508 | 22,98 | 13,6 | 7,8 | |
| 314 | 1537 | 23 | 4,5 | 29,2 | |
| 301 | 2079 | 23 | 5,5 | 57,5 | |
| 211 | 713 | 23 | 7,5 | 9,5 | |
| 251 | G-38 | 23 | 8 | 8,75 | |
| 209 | 727 | 23 | 10 | 11,5 | |
| 26 | W-127 | 23 | 11,5 | 5 | |
| 246 | 2414 | 23 | 13 | 17 | |
| 32 | W-128 | 23 | 13,2 | 5 | |
| 508 | 682-A | 23 | 14,4 | 5,9 | |
| 68 | 8002 | 23 | 14,7 | 5,2 | |

| N | Figure Reference | D | d | H | Figure |
|-----|------------------|-------|-------|------|--------|
| 501 | 81004 | 23 | 17 | 3 | |
| 39 | 1695 | 23,05 | 13,1 | 7,5 | |
| 12 | 1416 | 23,08 | | 7 | |
| 37 | 1669 | 23,1 | 12,5 | 7,4 | |
| 59 | 1686 | 23,1 | 15,45 | 4,8 | |
| 28 | 2128 | 23,15 | 15,25 | 5,9 | |
| 28 | 2128.70 | 23,15 | 15,25 | 5,9 | |
| 6 | W-174 | 23,2 | | 9,55 | |
| 59 | 1708 | 23,3 | 13,7 | 5 | |
| 59 | 1658 | 23,35 | 15,58 | 5 | |
| 14 | 1351 | 23,38 | 19,6 | 10,3 | |
| 28 | 1313 | 23,43 | 13,5 | 7,25 | |
| 18 | W-172 | 23,45 | 11,1 | 7,1 | |
| 27 | 1350 | 23,45 | 12,6 | 5,2 | |
| 259 | G-9 | 23,5 | | 15,4 | |
| 302 | 2417 | 23,5 | 5 | 64 | |
| 329 | 2472 | 23,5 | 5,4 | 23 | |
| 233 | G-16 | 23,5 | 9,8 | 11 | |



FIGURES classified by diameter



| N | Figure Reference | D | d | H | Figure |
|-----|------------------|-------|------|-----|--------|
| 210 | 748-A | 23,5 | 10 | 8 | |
| 217 | 786 | 23,5 | 10,5 | 15 | |
| 217 | 1854 | 23,5 | 16,2 | 8,5 | |
| 501 | 1275 | 23,5 | 19,6 | 3,4 | |
| 36 | 2108 | 23,55 | 14 | 6,3 | |
| 214 | 1846 | 23,6 | 4,8 | 10 | |
| 27 | 1630 | 23,6 | 13,7 | 4,7 | |
| 32 | 1244 | 23,6 | 14,8 | 4,9 | |
| 32 | 1244.70 | 23,6 | 14,8 | 4,9 | |
| 24 | 1352 | 23,63 | 14,2 | 6,2 | |
| 54 | 1650 | 23,65 | 12,7 | 5 | |
| 54 | 1660 | 23,65 | 13 | 4 | |
| 54 | 1661 | 23,65 | 15 | 4,3 | |
| 32 | 1245 | 23,65 | 15,2 | 5,2 | |
| 30 | 672-U | 23,7 | 7,75 | 8,3 | |
| 82 | 1681 | 23,7 | 12,6 | 5,2 | |
| 82 | 1681.70 | 23,7 | 12,6 | 5,2 | |
| 27 | 1663 | 23,7 | 15 | 4,5 | |

| N | Figure Reference | D | d | H | Figure |
|-----|------------------|-------|------|------|--------|
| 24 | 1700 | 23,7 | 15,5 | 5,8 | |
| 24 | 2107 | 23,75 | 15,3 | 7 | |
| 231 | 1591 | 23,8 | 8,4 | 9,7 | |
| 38 | 1684.70 | 23,8 | 14,2 | 4 | |
| 38 | 1684 | 23,8 | 14,2 | 4 | |
| 505 | 8082 | 23,8 | 14,9 | 5,8 | |
| 70 | 2132 | 23,8 | 15 | 5,3 | |
| 24 | 682-B | 23,8 | 15,1 | 5,45 | |
| 42 | 1721 | 23,8 | 16,9 | 5,3 | |
| 40 | 1796 | 23,81 | 10 | 8 | |
| 54 | 2199 | 23,81 | 11,2 | 5 | |
| 34 | 8007 | 23,81 | 11,5 | 7,6 | |
| 20 | 1788 | 23,81 | 12,8 | 7,4 | |
| 18 | 2541-R | 23,81 | 13,5 | 5,2 | |
| 25 | 1787 | 23,81 | 13,7 | 5 | |
| 41 | 1760 | 23,81 | 14,5 | 5 | |
| 14 | 2183 | 23,81 | 14,6 | 8,2 | |
| 54 | 8037 | 23,81 | 15 | 4,1 | |



FIGURES classified by diameter



| N | Figure Reference | D | d | H | Figure |
|-----|------------------|-------|------|------|--------|
| 27 | 8038 | 23,81 | 15 | 4,2 | |
| 24 | 2182 | 23,81 | 15 | 5,3 | |
| 25 | 2534-R | 23,81 | 15 | 7 | |
| 25 | 2557-R | 23,81 | 17,5 | 6,2 | |
| 54 | 2170 | 23,85 | 13,3 | 5,2 | |
| 9 | W-150 | 23,88 | | 6,91 | |
| 36 | 1494 | 23,88 | 14,2 | 6,4 | |
| 44 | 1645 | 23,88 | 15,2 | 4,9 | |
| 29 | 1690 | 23,9 | 12,8 | 7,2 | |
| 32 | 1705 | 23,9 | 14,4 | 6,5 | |
| 32 | 1705.70 | 23,9 | 14,4 | 6,5 | |
| 40 | 1458 | 23,95 | 9,75 | 7,8 | |
| 214 | 2303 | 24 | 8 | 11,8 | |
| 211 | 708 | 24 | 8,3 | 9,8 | |
| 312 | 2281 | 24 | 8,3 | 36 | |
| 209 | G-13 | 24 | 8,5 | 11 | |
| 206 | G-15 | 24 | 10,5 | 16,5 | |
| 237 | G-52 | 24 | 12 | 12,3 | |

| N | Figure Reference | D | d | H | Figure |
|-----|------------------|-------|-------|------|--------|
| 501 | 81026 | 24 | 13 | 4 | |
| 49 | 1255.70 | 24 | 15,45 | 6,8 | |
| 49 | 1255 | 24 | 15,45 | 6,8 | |
| 237 | 1830 | 24 | 19,4 | 18 | |
| 6 | 561-AL | 24,05 | | 9 | |
| 38 | 1640 | 24,05 | 13,65 | 3,75 | |
| 28 | 1407 | 24,05 | 14,6 | 6,3 | |
| 28 | 1407.70 | 24,05 | 14,6 | 6,3 | |
| 32 | 1444.70 | 24,05 | 17,3 | 5,5 | |
| 32 | 1444 | 24,05 | 17,3 | 5,5 | |
| 24 | 1488 | 24,08 | 15 | 5,9 | |
| 54 | 1629 | 24,1 | 14,85 | 4,8 | |
| 49 | 1378 | 24,1 | 15,2 | 7,6 | |
| 49 | 1378.70 | 24,1 | 15,2 | 7,6 | |
| 25 | 1721-A | 24,1 | 16,9 | 5,6 | |
| 29 | 1241-A | 24,15 | 17,2 | 3,7 | |
| 204 | C-796 | 24,2 | 7,2 | 16,5 | |
| 257 | 833 | 24,2 | 8 | 48,5 | |

MANUFACTURAS WRKYNSON

www.wrakynson.com

Page 768 of 822



FIGURES classified by diameter



| N Figure Reference | D | d | H | Figure | |
|--------------------|----------------|-------|------|--------|--|
| 54 | 1242 | 24,2 | 10,2 | 5 | |
| 71 | 1627 | 24,2 | 13,9 | 6,8 | |
| 47 | W-62 | 24,2 | 15,5 | 8,4 | |
| 13 | 1668 | 24,25 | 13,7 | 5 | |
| 29 | 1487 | 24,25 | 13,8 | 4,8 | |
| 54 | 2168 | 24,25 | 14 | 4,5 | |
| 51 | 1320 | 24,25 | 15,3 | 6,8 | |
| 33 | W-162 | 24,3 | 12,5 | 6,85 | |
| 505 | 1404 | 24,3 | 15,8 | 4,9 | |
| 505 | 1404.70 | 24,3 | 15,8 | 4,9 | |
| 28 | 1436 | 24,3 | 15,8 | 5,95 | |
| 29 | 1241 | 24,3 | 17,2 | 5 | |
| 501 | 81017 | 24,3 | 18 | 3,6 | |
| 54 | 2112 | 24,35 | 14 | 7 | |
| 9 | 609.70 | 24,4 | | 7,25 | |
| 9 | 609 | 24,4 | | 7,25 | |
| 249 | G-10 | 24,4 | 5,1 | 14 | |
| 35 | C-848 | 24,4 | 7,8 | 7,5 | |

| N Figure Reference | D | d | H | Figure | |
|--------------------|----------------|-------|-------|--------|--|
| 501 | W-48 | 24,4 | 18,2 | 3,5 | |
| 42 | 1212.70 | 24,43 | 16,1 | 6,8 | |
| 42 | 1212 | 24,43 | 16,1 | 6,8 | |
| 13 | 510 | 24,45 | 14 | 7 | |
| 13 | 510.70 | 24,45 | 14 | 7 | |
| 28 | 1407-E | 24,45 | 14,6 | 6,55 | |
| 301 | 2483 | 24,5 | 6,3 | 44,5 | |
| 209 | 8303 | 24,5 | 7,5 | 11,5 | |
| 301 | 806 | 24,5 | 9,5 | 44,3 | |
| 28 | 1726 | 24,5 | 15,9 | 7,2 | |
| 29 | 1490 | 24,5 | 17,35 | 5 | |
| 29 | 1491 | 24,5 | 17,5 | 5 | |
| 501 | 81006 | 24,5 | 18 | 3,8 | |
| 25 | 1321 | 24,53 | 15,95 | 7,3 | |
| 66 | 1653 | 24,55 | 14,1 | 7,3 | |
| 501 | W-68.70 | 24,6 | 7,75 | 2,5 | |
| 501 | W-68 | 24,6 | 7,75 | 2,5 | |
| 47 | 532 | 24,6 | 15,5 | 8,5 | |



FIGURES classified by diameter



| N Figure Reference | D | d | H | Figure | |
|--------------------|---------------|-------|-------|--------|--|
| 12 | 1730 | 24,65 | 7,5 | | |
| 24 | 1435 | 24,65 | 12,75 | 7,6 | |
| 200 | 703-A | 24,7 | 7,5 | 11,5 | |
| 24 | 1427 | 24,75 | 17,8 | 6,95 | |
| 200 | 703 | 24,8 | 7,5 | 11,5 | |
| 455 | 8362 | 24,8 | 12,2 | 21,2 | |
| 218 | 1843 | 24,8 | 13,8 | 9,5 | |
| 27 | 649 | 24,8 | 16,25 | 5,2 | |
| 5 | 560-B | 24,83 | | 9,6 | |
| 19 | 2102 | 24,85 | 14,8 | 6,5 | |
| 2 | W-1 | 24,88 | | 9,5 | |
| 2 | W-1.70 | 24,88 | | 9,5 | |
| 53 | 1308 | 24,9 | 10,8 | 5 | |
| 56 | 1225 | 24,9 | 14,2 | 4 | |
| 49 | W-155 | 24,9 | 15 | 7 | |
| 30 | 1322 | 24,95 | 15,35 | 7,2 | |
| 14 | 1388 | 24,95 | 20,2 | 10,8 | |
| 205 | 788 | 25 | 5,5 | 22,5 | |

| N Figure Reference | D | d | H | Figure | |
|--------------------|-----------------|-------|-------|--------|--|
| 307 | 2332 | 25 | 6,7 | 50 | |
| 230 | G-50 | 25 | 11 | 14 | |
| 218 | G-40 | 25 | 12 | 16,5 | |
| 47 | 530 | 25 | 15,8 | 8,5 | |
| 49 | 646-A | 25 | 16 | 7,5 | |
| 49 | 646-A.70 | 25 | 16 | 7,5 | |
| 35 | 1770 | 25 | 16,5 | 3,3 | |
| 237 | 731-A | 25 | 20 | 16,5 | |
| 14 | 1736 | 25,05 | 17,5 | 8,5 | |
| 45 | 1357 | 25,08 | 17,05 | 6,6 | |
| 43 | 1374 | 25,15 | 16,8 | 6,7 | |
| 45 | 2169 | 25,19 | 14,5 | 3,8 | |
| 9 | W-76 | 25,2 | | 7,25 | |
| 209 | 803 | 25,2 | 7,5 | 9 | |
| 66 | W-126 | 25,2 | 13,8 | 7,3 | |
| 27 | 2101 | 25,2 | 15,2 | 4,7 | |
| 49 | 580-B | 25,2 | 16,25 | 7,7 | |
| 39 | 1742 | 25,2 | 16,8 | 6,4 | |



FIGURES classified by diameter



| N | Figure Reference | D | d | H | Figure |
|-----|------------------|-------|------|------|--------|
| 27 | 2122 | 25,2 | 17 | 6,3 | |
| 52 | 1609 | 25,25 | 10 | 4,7 | |
| 13 | 524 | 25,25 | 14,4 | 5,2 | |
| 13 | 524.70 | 25,25 | 14,4 | 5,2 | |
| 23 | 652 | 25,25 | 16 | 6,2 | |
| 12 | 1323 | 25,3 | | 5 | |
| 20 | W-83 | 25,3 | 15,2 | 3,85 | |
| 26 | 912 | 25,3 | 16,2 | 3,6 | |
| 27 | 2123 | 25,3 | 16,4 | 4,5 | |
| 15 | 510-A | 25,3 | 17 | 8,1 | |
| 54 | 1358.70 | 25,33 | 16,5 | 5,1 | |
| 54 | 1358 | 25,33 | 16,5 | 5,1 | |
| 521 | 1238 | 25,35 | 13 | 10 | |
| 58 | 1249.70 | 25,35 | 13,8 | 6,1 | |
| 58 | 1249 | 25,35 | 13,8 | 6,1 | |
| 17 | W-28 | 25,35 | 14,7 | 8,25 | |
| 49 | 646-B | 25,35 | 16,3 | 6,9 | |
| 49 | 646-B.70 | 25,35 | 16,3 | 6,9 | |

| N | Figure Reference | D | d | H | Figure |
|-----|------------------|-------|------|------|--------|
| 54 | 1375 | 25,35 | 16,4 | 5,05 | |
| 38 | 1664 | 25,35 | 16,6 | 5,5 | |
| 38 | 1664.70 | 25,35 | 16,6 | 5,5 | |
| 42 | 1723 | 25,35 | 18,5 | 5,5 | |
| 42 | 636.70 | 25,35 | 18,5 | 6 | |
| 42 | 636 | 25,35 | 18,5 | 6 | |
| 52 | W-56 | 25,38 | 10,6 | 4,85 | |
| 23 | 650 | 25,38 | 15,5 | 8,25 | |
| 215 | 707 | 25,4 | 10,3 | 9,6 | |
| 54 | 2539-R | 25,4 | 11,3 | 4,7 | |
| 54 | 2174 | 25,4 | 13 | 5 | |
| 54 | 2177 | 25,4 | 13 | 5 | |
| 54 | 2195 | 25,4 | 13,8 | 7 | |
| 13 | 680 | 25,4 | 14 | 7 | |
| 40 | 1799 | 25,4 | 14 | 8 | |
| 30 | 684 | 25,4 | 14,6 | 6,8 | |
| 30 | 689-A | 25,4 | 15,5 | 8,2 | |
| 39 | 8047 | 25,4 | 16 | 4,8 | |



FIGURES classified by diameter



| N | Figure Reference | D | d | H | Figure |
|-----|------------------|-------|-------|------|--------|
| 13 | 510-E.70 | 25,4 | 16 | 7 | |
| 13 | 510-E | 25,4 | 16 | 7 | |
| 54 | 2567-R | 25,4 | 16,2 | 4,1 | |
| 26 | 8327 | 25,4 | 16,2 | 4,8 | |
| 28 | 2568-R | 25,4 | 16,5 | 6,9 | |
| 25 | 2537-R | 25,4 | 16,6 | 6,5 | |
| 59 | 8039 | 25,4 | 16,8 | 5 | |
| 19 | 1779 | 25,4 | 16,8 | 6 | |
| 27 | 8034 | 25,4 | 17 | 5,7 | |
| 48 | 2559-R | 25,4 | 17 | 6,8 | |
| 26 | 8328 | 25,4 | 18,6 | 5,5 | |
| 14 | 1373 | 25,4 | 20,4 | 8,6 | |
| 14 | 1373.70 | 25,4 | 20,4 | 8,6 | |
| 508 | 683-A | 25,43 | 16 | 4 | |
| 54 | 2125 | 25,45 | 14,1 | 4,7 | |
| 30 | W-57 | 25,48 | 14,5 | 4,75 | |
| 32 | 1411 | 25,48 | 16,05 | 6,8 | |
| 5 | 1372 | 25,5 | | 7 | |

| N | Figure Reference | D | d | H | Figure |
|-----|------------------|-------|------|------|--------|
| 1 | 560-A | 25,5 | | 7,5 | |
| 301 | 844 | 25,5 | 7,25 | 67 | |
| 301 | 844-A | 25,5 | 8,5 | 67 | |
| 217 | 895 | 25,5 | 12,2 | 16,5 | |
| 256 | 8114 | 25,5 | 12,5 | 23,5 | |
| 257 | 830 | 25,5 | 12,5 | 48 | |
| 32 | 2113 | 25,5 | 15,9 | 5,7 | |
| 19 | 2159 | 25,5 | 16 | 5,2 | |
| 19 | 1724 | 25,5 | 18,5 | 5 | |
| 506 | 1683 | 25,5 | 19 | 2,7 | |
| 32 | 664.70 | 25,55 | 12,5 | 6,6 | |
| 32 | 664 | 25,55 | 12,5 | 6,6 | |
| 41 | 1480 | 25,55 | 13,5 | 8,1 | |
| 54 | 1486 | 25,55 | 16 | 4,9 | |
| 36 | 1485 | 25,55 | 17,1 | 6,2 | |
| 23 | 1201.70 | 25,55 | 17,4 | 7 | |
| 23 | 1201 | 25,55 | 17,4 | 7 | |
| 1 | 560.70 | 25,57 | | 9,5 | |



FIGURES classified by diameter



| N | Figure Reference | D | d | H | Figure |
|-----|------------------|-------|-------|------|--------|
| 1 | 560 | 25,57 | | 9,5 | |
| 3 | 560-AL | 25,57 | | 9,5 | |
| 82 | 1682 | 25,6 | 13,8 | 6,3 | |
| 82 | 1682.70 | 25,6 | 13,8 | 6,3 | |
| 15 | W-27 | 25,6 | 16,4 | 6,7 | |
| 45 | 1445 | 25,6 | 16,5 | 4,7 | |
| 501 | 1928 | 25,6 | 21,8 | 2,5 | |
| 24 | 2203 | 25,65 | 13,55 | 7 | |
| 13 | W-29 | 25,65 | 14,3 | 7,13 | |
| 25 | 685 | 25,7 | 7,4 | 7 | |
| 8 | 560-C | 25,7 | 8,5 | 9,2 | |
| 23 | 665 | 25,7 | 13 | 7 | |
| 505 | W-73 | 25,75 | 12,7 | 4,75 | |
| 22 | 667 | 25,75 | 17,15 | 4,75 | |
| 22 | 667.70 | 25,75 | 17,15 | 4,75 | |
| 41 | 1457 | 25,78 | 13,5 | 8 | |
| 54 | 580-A | 25,8 | 8,5 | 9,2 | |
| 23 | W-22 | 25,8 | 11,35 | 8 | |

| N | Figure Reference | D | d | H | Figure |
|-----|------------------|-------|------|------|--------|
| 501 | 542 | 25,8 | 13,5 | 6,2 | |
| 48 | 1666 | 25,8 | 14,2 | 5,1 | |
| 29 | 1692 | 25,8 | 17 | 6,8 | |
| 9 | 610.70 | 25,85 | | 7 | |
| 9 | 610 | 25,85 | | 7 | |
| 27 | 1667 | 25,85 | 15,9 | 4,8 | |
| 49 | 646.70 | 25,85 | 16,5 | 7,6 | |
| 49 | 646 | 25,85 | 16,5 | 7,6 | |
| 9 | 610-W | 25,9 | | 7,5 | |
| 9 | W-13 | 25,9 | | 7,5 | |
| 61 | 689 | 25,9 | 7,25 | 8 | |
| 40 | 1729 | 25,9 | 12 | 8,7 | |
| 23 | 689-B | 25,9 | 16,2 | 7 | |
| 54 | 2171 | 25,93 | 16,1 | 4,5 | |
| 29 | 1641 | 25,95 | 15,3 | 4 | |
| 200 | 710-A | 26 | 5,5 | 8,7 | |
| 61 | 689-D | 26 | 6 | 7,8 | |
| 212 | 832 | 26 | 6 | 34,5 | |



FIGURES classified by diameter



| N | Figure Reference | D | d | H | Figure |
|-----|------------------|-------|------|------|--------|
| 210 | G-12 | 26 | 7 | 8,7 | |
| 243 | 8245 | 26 | 8,2 | 11 | |
| 243 | G-39 | 26 | 12,4 | 15,9 | |
| 212 | G-14 | 26 | 13,5 | 15 | |
| 27 | W-123 | 26 | 14,8 | 6 | |
| 29 | 1309 | 26 | 16,9 | 5,5 | |
| 27 | 648 | 26 | 17,3 | 4,65 | |
| 27 | 648.70 | 26 | 17,3 | 4,65 | |
| 501 | 1287 | 26 | 19,6 | 5,7 | |
| 29 | 1365 | 26,03 | 16,9 | 5,7 | |
| 61 | W-19 | 26,1 | 10,8 | 7 | |
| 23 | 2139 | 26,15 | 6,6 | 7,5 | |
| 55 | 1693 | 26,15 | 14,3 | 3,8 | |
| 212 | 704 | 26,2 | 9,2 | 10,5 | |
| 37 | 1345 | 26,2 | 17 | 5,6 | |
| 3 | W-140 | 26,25 | | 9,5 | |
| 27 | W-122 | 26,25 | 15,8 | 5,2 | |
| 32 | 2154 | 26,3 | 18,5 | 6,1 | |

| N | Figure Reference | D | d | H | Figure |
|-----|------------------|-------|-------|------|--------|
| 62 | 671 | 26,35 | 10,3 | 15,5 | |
| 505 | 540 | 26,35 | 16,85 | 6 | |
| 505 | 540.70 | 26,35 | 16,85 | 6 | |
| 59 | 1646 | 26,38 | 16,75 | 5,3 | |
| 27 | W-7 | 26,4 | 8,4 | 5,1 | |
| 48 | 651 | 26,4 | 15,3 | 6 | |
| 49 | C-891 | 26,4 | 16,25 | 7,7 | |
| 57 | 1648 | 26,45 | 15,1 | 5,4 | |
| 212 | 805 | 26,5 | 6 | 14 | |
| 303 | 2490 | 26,5 | 6 | 60 | |
| 302 | 8247 | 26,5 | 7 | 55 | |
| 236 | 734-A | 26,5 | 8,9 | 25 | |
| 301 | 2328 | 26,5 | 9,2 | 45,6 | |
| 230 | 780 | 26,5 | 13,5 | 10,5 | |
| 13 | 511 | 26,5 | 16 | 7 | |
| 27 | 648-A | 26,5 | 17,3 | 5 | |
| 501 | 81007 | 26,5 | 20,5 | 4,5 | |
| 509 | 8364 | 26,5 | 25,6 | 5,6 | |



FIGURES classified by diameter



| N | Figure Reference | D | d | H | Figure |
|-----|------------------|-------|------|------|--------|
| 1 | W-139 | 26,54 | | 9,52 | |
| 19 | W-32 | 26,6 | 15,6 | 6,5 | |
| 32 | 2152 | 26,6 | 18,2 | 4,8 | |
| 24 | 1622 | 26,65 | 17,6 | 7,3 | |
| 12 | 2202 | 26,68 | | 6,9 | |
| 500 | 1941 | 26,7 | 20,3 | 2,5 | |
| 500 | 1941.70 | 26,7 | 20,3 | 2,5 | |
| 501 | 81016 | 26,7 | 20,3 | 2,6 | |
| 54 | W-114 | 26,75 | 10,6 | 4,85 | |
| 36 | 1621 | 26,85 | 17 | 6,4 | |
| 25 | 2528-R | 26,88 | 15,8 | 8,2 | |
| 33 | 2507-R | 26,88 | 16 | 7,5 | |
| 82 | 1745 | 26,9 | 12,4 | 6,7 | |
| 9 | W-151 | 26,92 | | 7,37 | |
| 10 | 1311 | 26,98 | | 5,1 | |
| 54 | 1623 | 26,98 | 16,3 | 4 | |
| 42 | 1227 | 26,98 | 20,2 | 5,8 | |
| 1 | 2521-R | 26,99 | | 10 | |

| N | Figure Reference | D | d | H | Figure |
|-----|------------------|-------|------|------|--------|
| 54 | 2553-R | 26,99 | 13 | 5 | |
| 54 | 2576-R | 26,99 | 14,5 | 5 | |
| 14 | 2514-R | 26,99 | 15,6 | 7,7 | |
| 18 | 2536-R | 26,99 | 15,7 | 5,2 | |
| 14 | 2532-R | 26,99 | 16 | 8,5 | |
| 42 | 2573-R | 26,99 | 16,3 | 5,6 | |
| 49 | 2580-R | 26,99 | 16,5 | 7,8 | |
| 31 | 8326 | 26,99 | 17 | 4,7 | |
| 24 | 2594-R | 26,99 | 17,6 | 5,9 | |
| 54 | 2546-R | 26,99 | 17,8 | 5 | |
| 23 | 2155 | 26,99 | 18 | 5 | |
| 73 | 2572-R | 26,99 | 18,2 | 5,6 | |
| 254 | 821 | 27 | 6,6 | 20,6 | |
| 209 | 717 | 27 | 7 | 12,5 | |
| 214 | 711 | 27 | 7 | 12,5 | |
| 203 | 705 | 27 | 8 | 14,7 | |
| 63 | C-731 | 27 | 8,5 | 5 | |
| 54 | C-483 | 27 | 8,5 | 8,8 | |



FIGURES classified by diameter



| N | Figure Reference | D | d | H | Figure |
|-----|------------------|-------|------|-------|--------|
| 56 | W-145 | 27 | 10,6 | 9 | |
| 210 | 723 | 27 | 11 | 13 | |
| 54 | 1676.70 | 27 | 12,8 | 5 | |
| 54 | 1676 | 27 | 12,8 | 5 | |
| 27 | 1228 | 27 | 18 | 4,8 | |
| 27 | 1228.70 | 27 | 18 | 4,8 | |
| 47 | 533 | 27,08 | 17 | 8,5 | |
| 47 | 533.70 | 27,08 | 17 | 8,5 | |
| 28 | 1324 | 27,1 | 18,4 | 6,8 | |
| 254 | 823 | 27,15 | 6,6 | 13,55 | |
| 301 | F-15 | 27,2 | 9 | 51,5 | |
| 17 | 579 | 27,2 | 14,6 | 10 | |
| 59 | 8063 | 27,2 | 20 | 4,3 | |
| 24 | 1434 | 27,25 | 14 | 8 | |
| 255 | 824 | 27,3 | 6 | 25 | |
| 210 | G-47 | 27,3 | 7 | 14,3 | |
| 259 | 729 | 27,3 | 13,5 | 12,2 | |
| 31 | 1482 | 27,3 | 14,1 | 8,1 | |

| N | Figure Reference | D | d | H | Figure |
|-----|------------------|-------|-------|------|--------|
| 505 | W-74 | 27,3 | 14,3 | 4,75 | |
| 49 | 647.70 | 27,3 | 17,5 | 7 | |
| 49 | 647 | 27,3 | 17,5 | 7 | |
| 48 | 1678 | 27,3 | 18,8 | 5,3 | |
| 231 | 2037 | 27,4 | 6,5 | 18,5 | |
| 29 | 1677 | 27,4 | 18,7 | 5,5 | |
| 306 | 842 | 27,5 | 7 | 52 | |
| 310 | 2294 | 27,5 | 8,5 | 84 | |
| 204 | 760 | 27,5 | 12 | 14 | |
| 302 | 2279 | 27,5 | 17 | 47 | |
| 312 | 2473 | 27,5 | 17 | 74 | |
| 244 | 2466 | 27,5 | 24 | 10,8 | |
| 9 | 611 | 27,55 | | 7,5 | |
| 50 | 634 | 27,55 | 15,5 | 8 | |
| 46 | 1258 | 27,58 | 17,8 | 3,7 | |
| 236 | 734 | 27,6 | 6,5 | 21,5 | |
| 257 | G-5 | 27,6 | 12 | 49,5 | |
| 18 | C-907 | 27,6 | 13,85 | 8,4 | |



FIGURES classified by diameter



| N | Figure Reference | D | d | H | Figure |
|-----|------------------|-------|------|------|--------|
| 59 | 8046 | 27,6 | 16,8 | 6,3 | |
| 2 | 561 | 27,7 | | 9,5 | |
| 2 | 561.70 | 27,7 | | 9,5 | |
| 9 | 611-W | 27,75 | | 8 | |
| 505 | 1218.70 | 27,75 | 17 | 6 | |
| 505 | 1218 | 27,75 | 17 | 6 | |
| 32 | 677-I | 27,8 | 10,3 | 9,1 | |
| 59 | 8077 | 27,8 | 20,2 | 4 | |
| 59 | 8237 | 27,9 | 22,5 | 4,7 | |
| 211 | 710 | 28 | 6,5 | 9,5 | |
| 236 | 805-A | 28 | 6,5 | 18 | |
| 301 | 1858 | 28 | 7 | 75 | |
| 247 | 822 | 28 | 7,75 | 24 | |
| 250 | G-48 | 28 | 9 | 18 | |
| 304 | F-14 | 28 | 9,5 | 33 | |
| 236 | 2400 | 28 | 10,5 | 20 | |
| 308 | 2329 | 28 | 12 | 49 | |
| 232 | 2031 | 28 | 14,3 | 16,5 | |

| N | Figure Reference | D | d | H | Figure |
|-----|------------------|-------|-------|------|--------|
| 80 | 8043 | 28 | 18 | 6,8 | |
| 501 | W-85 | 28 | 24 | 4 | |
| 244 | 2286 | 28 | 26,7 | 12 | |
| 9 | 1741 | 28,05 | | 7,8 | |
| 20 | C-900 | 28,1 | 17,5 | 4,2 | |
| 39 | 1495 | 28,13 | 17,1 | 7,9 | |
| 59 | 1326-A | 28,15 | 16,95 | 6 | |
| 59 | 1326 | 28,15 | 16,95 | 7 | |
| 56 | 1368 | 28,15 | 17 | 4 | |
| 244 | 1596 | 28,2 | 28 | 13,5 | |
| 59 | 1657 | 28,25 | 16,85 | 6,9 | |
| 49 | 1222.70 | 28,25 | 19 | 7,4 | |
| 49 | 1222 | 28,25 | 19 | 7,4 | |
| 1 | 562 | 28,3 | | 9 | |
| 1 | 562.70 | 28,3 | | 9 | |
| 236 | 1899 | 28,3 | 13,8 | 16,8 | |
| 9 | W-67 | 28,33 | | 7,7 | |
| 24 | 1731 | 28,35 | 14,5 | 7 | |

MANUFACTURAS WRKYNSON

www.wrakynson.com

Page 777 of 822



FIGURES classified by diameter



| N | Figure Reference | D | d | H | Figure |
|-----|------------------|-------|------|-------|--------|
| 521 | 1246 | 28,4 | 15,9 | 10,15 | |
| 54 | 2173 | 28,4 | 16,2 | 4,4 | |
| 54 | 1634 | 28,4 | 16,2 | 5 | |
| 27 | 1202 | 28,4 | 19,9 | 5,1 | |
| 27 | 1202.70 | 28,4 | 19,9 | 5,1 | |
| 500 | 1925 | 28,4 | 23 | 2,75 | |
| 42 | 1203 | 28,45 | 21,7 | 5,8 | |
| 42 | 1203.70 | 28,45 | 21,7 | 5,8 | |
| 58 | 1302.70 | 28,48 | 16,7 | 6 | |
| 58 | 1302 | 28,48 | 16,7 | 6 | |
| 255 | 824-B | 28,5 | 4,5 | 23,5 | |
| 204 | 1878 | 28,5 | 6,2 | 22,4 | |
| 301 | 2316 | 28,5 | 9 | 42 | |
| 301 | 807 | 28,5 | 10 | 51,85 | |
| 258 | 2040 | 28,5 | 10,2 | 14,2 | |
| 258 | 778 | 28,5 | 11,2 | 18,8 | |
| 218 | 2422 | 28,5 | 11,3 | 10,9 | |
| 301 | 808 | 28,5 | 11,5 | 43,5 | |

| N | Figure Reference | D | d | H | Figure |
|-----|------------------|-------|-------|------|--------|
| 305 | 1568 | 28,5 | 13,2 | 40,1 | |
| 59 | 1680 | 28,5 | 14,35 | 4,3 | |
| 47 | 632 | 28,55 | 13,75 | 11,8 | |
| 82 | 2130 | 28,55 | 16 | 6,5 | |
| 11 | 1474 | 28,57 | | 7,9 | |
| 3 | 1606-AL | 28,57 | | 9,9 | |
| 1 | 1606-A | 28,57 | | 10,1 | |
| 40 | 2515-R | 28,57 | 13,6 | 7,2 | |
| 54 | 2527-R | 28,57 | 14 | 5 | |
| 54 | 2178 | 28,57 | 14,5 | 4,8 | |
| 40 | 2520-R | 28,57 | 15 | 7 | |
| 44 | 2189 | 28,57 | 15,5 | 8,7 | |
| 36 | 1792 | 28,57 | 15,8 | 7 | |
| 32 | 2506-R | 28,57 | 16,5 | 7,6 | |
| 18 | 2525-R | 28,57 | 17 | 5 | |
| 13 | 512.70 | 28,57 | 17 | 7,5 | |
| 50 | 634-A | 28,57 | 17,2 | 8 | |
| 33 | 1780 | 28,57 | 17,6 | 5,2 | |



FIGURES classified by diameter



| N | Figure Reference | D | d | H | Figure |
|----|------------------|-------|-------|------|--------|
| 27 | 2186 | 28,57 | 18,2 | 5,6 | |
| 49 | 2589-R | 28,57 | 18,2 | 10,2 | |
| 33 | 2500-R | 28,57 | 18,5 | 6 | |
| 22 | 2517-R | 28,57 | 18,6 | 4,8 | |
| 26 | 2144 | 28,57 | 19 | 5 | |
| 19 | 2547-R | 28,57 | 19,6 | 6 | |
| 37 | 2163 | 28,57 | 19,6 | 7,1 | |
| 54 | 2570-R | 28,57 | 19,7 | 5,2 | |
| 54 | 2570-R.70 | 28,57 | 19,7 | 5,2 | |
| 40 | 2522-R | 28,57 | 20 | 7 | |
| 50 | 8091 | 28,6 | 17,2 | 8 | |
| 32 | 688.70 | 28,6 | 17,5 | 7,25 | |
| 32 | 688 | 28,6 | 17,5 | 7,25 | |
| 32 | 2114 | 28,65 | 18,95 | 5,5 | |
| 32 | 2114.70 | 28,65 | 18,95 | 5,5 | |
| 41 | 1750 | 28,7 | 15,4 | 8,5 | |
| 1 | W-79 | 28,75 | | 7,9 | |
| 40 | 1438 | 28,75 | 13,3 | 9 | |

| N | Figure Reference | D | d | H | Figure |
|-----|------------------|-------|-------|------|--------|
| 508 | 1252 | 28,75 | 14 | 5,8 | |
| 18 | W-117 | 28,75 | 16,25 | 6,15 | |
| 13 | 512 | 28,75 | 17 | 7,5 | |
| 28 | 2175 | 28,78 | 14,5 | 4,8 | |
| 32 | 1204 | 28,8 | 20,5 | 7,6 | |
| 1 | 1606 | 28,85 | | 10 | |
| 41 | 1755 | 28,95 | 15,6 | 7 | |
| 24 | 1433 | 28,95 | 15,6 | 8,5 | |
| 302 | 2326 | 29 | 5,5 | 56 | |
| 200 | C-771 | 29 | 7,1 | 13,2 | |
| 215 | G-35 | 29 | 7,93 | 11,1 | |
| 300 | 811 | 29 | 13 | 70 | |
| 203 | 750 | 29 | 13,6 | 12 | |
| 64 | 1707 | 29 | 13,9 | 6,2 | |
| 33 | W-95 | 29 | 18,25 | 8,5 | |
| 505 | 540-W | 29 | 19 | 6 | |
| 19 | W-60 | 29 | 20,6 | 7,5 | |
| 1 | W-94 | 29,03 | | 11,1 | |



FIGURES classified by diameter



| N | Figure Reference | D | d | H | Figure |
|-----|------------------|-------|-------|------|--------|
| 70 | 2129 | 29,03 | 15,35 | 6,6 | |
| 19 | 1775 | 29,08 | 19,3 | 5,2 | |
| 19 | 954 | 29,1 | 18 | 5,8 | |
| 19 | 954.70 | 29,1 | 18 | 5,8 | |
| 19 | 1637 | 29,1 | 19,5 | 5,8 | |
| 29 | 2117.70 | 29,18 | 19 | 5,5 | |
| 29 | 2117 | 29,18 | 19 | 5,5 | |
| 255 | 743 | 29,2 | 5,75 | 18 | |
| 304 | F-11 | 29,2 | 6 | 75 | |
| 248 | C-763 | 29,2 | 15 | 27 | |
| 49 | W-160 | 29,2 | 17,8 | 9,4 | |
| 23 | C-880 | 29,3 | 19,4 | 5,5 | |
| 25 | C-834 | 29,3 | 19,8 | 5 | |
| 319 | 1857 | 29,4 | 6,5 | 48 | |
| 60 | 1251 | 29,4 | 13,5 | 4,7 | |
| 244 | 2030 | 29,4 | 29,4 | 18,6 | |
| 9 | 612.70 | 29,48 | | 8 | |
| 9 | 612 | 29,48 | | 8 | |

| N | Figure Reference | D | d | H | Figure |
|-----|------------------|-------|-------|-------|--------|
| 316 | 2289 | 29,5 | 5,8 | 4,2 | |
| 321 | 1516 | 29,5 | 5,8 | 46,5 | |
| 252 | 1891 | 29,5 | 8 | 40,5 | |
| 214 | C-799 | 29,5 | 9 | 10 | |
| 304 | F-10 | 29,5 | 11,1 | 57,15 | |
| 32 | W-176 | 29,5 | 19,9 | 5 | |
| 38 | W-146 | 29,6 | 11,3 | 5,1 | |
| 218 | 2284 | 29,6 | 27,55 | 14 | |
| 49 | W-164 | 29,7 | 19 | 9 | |
| 30 | W-33 | 29,75 | 19,5 | 6,5 | |
| 6 | W-173 | 29,8 | | 9,9 | |
| 49 | C-881 | 29,8 | 18,5 | 9,3 | |
| 49 | C-587.70 | 29,8 | 19,4 | 7,9 | |
| 49 | C-587 | 29,8 | 19,4 | 7,9 | |
| 25 | C-838 | 29,8 | 20,65 | 6 | |
| 61 | 689-C | 29,9 | 7 | 8 | |
| 24 | 1319 | 29,9 | 21,4 | 4,9 | |
| 32 | 8353 | 30 | 2,2 | 5,4 | |



FIGURES classified by diameter



| N Figure Reference | D | d | H | Figure | |
|--------------------|---------------|-------|-------|--------|--|
| 256 | 8113 | 30 | 6,6 | 32 | |
| 210 | G-53 | 30 | 7 | 13 | |
| 200 | G-11 | 30 | 7 | 14,5 | |
| 501 | W-69 | 30 | 8,4 | 2,7 | |
| 209 | G-41 | 30 | 9 | 10,25 | |
| 233 | 2032 | 30 | 10,5 | 20 | |
| 305 | 840 | 30 | 16 | 52,5 | |
| 45 | 2574-R | 30 | 19 | 5,5 | |
| 508 | C-864 | 30 | 21,5 | 6,5 | |
| 242 | 2282 | 30 | 23,9 | 14,4 | |
| 242 | 2283 | 30 | 27 | 14,2 | |
| 49 | 1318 | 30,05 | 20,65 | 7,1 | |
| 33 | 2529-R | 30,16 | 16,8 | 9 | |
| 54 | 8148 | 30,16 | 17,2 | 4,6 | |
| 42 | 8179 | 30,16 | 20,5 | 5,6 | |
| 32 | C-729 | 30,2 | 19 | 9,5 | |
| 51 | 8349 | 30,2 | 20,3 | 5,75 | |
| 251 | 831 | 30,25 | 9,5 | 15,75 | |

| N Figure Reference | D | d | H | Figure | |
|--------------------|-----------------|-------|------|--------|--|
| 41 | 1468 | 30,25 | 16,8 | 9,2 | |
| 19 | 1377.70 | 30,33 | 19,9 | 6,15 | |
| 19 | 1377 | 30,33 | 19,9 | 6,15 | |
| 219 | 1562 | 30,4 | 12,6 | 10,5 | |
| 501 | 81005 | 30,4 | 17,4 | 4,7 | |
| 9 | 2103 | 30,45 | | 8,6 | |
| 9 | W-152 | 30,5 | | 8 | |
| 249 | G-34 | 30,5 | 5 | 10 | |
| 200 | G-2 | 30,5 | 14 | 17,6 | |
| 505 | W-71 | 30,5 | 17,5 | 4,8 | |
| 505 | W-71.70 | 30,5 | 17,5 | 4,8 | |
| 266 | W-177.70 | 30,5 | 18,2 | 6 | |
| 53 | 8348 | 30,5 | 18,8 | 4,8 | |
| 302 | 2386 | 30,5 | 19,2 | 55 | |
| 507 | C-829 | 30,5 | 21,7 | 5,5 | |
| 59 | 8003 | 30,6 | 24,4 | 4,3 | |
| 213 | 712-A | 30,7 | 7 | 12,5 | |
| 53 | 8016 | 30,7 | 13,6 | 5,7 | |



FIGURES classified by diameter



| N | Figure Reference | D | d | H | Figure |
|-----|------------------|-------|------|-------|--------|
| 23 | 2599-R | 30,7 | 23,8 | 4,2 | |
| 9 | 1740 | 30,75 | | 8 | |
| 249 | 754 | 30,8 | 8,7 | 20 | |
| 248 | C-764 | 30,8 | 9,3 | 28,35 | |
| 206 | G-19 | 31 | 6,8 | 25 | |
| 204 | C-798 | 31 | 10,5 | 25,5 | |
| 214 | C-797 | 31 | 11,5 | 13,5 | |
| 234 | 731-B | 31 | 12 | 12 | |
| 234 | 731 | 31 | 12,5 | 12 | |
| 206 | 761 | 31 | 12,5 | 21,5 | |
| 58 | 2585-R | 31 | 20 | 6,2 | |
| 76 | 2598-R | 31 | 21,5 | 4 | |
| 46 | 8234 | 31 | 25,8 | 4,7 | |
| 29 | 1696 | 31,03 | 21,6 | 6 | |
| 204 | 1574 | 31,1 | 7 | 25,2 | |
| 211 | 712 | 31,15 | 7,5 | 10 | |
| 61 | 689-E | 31,25 | 8 | 7,5 | |
| 25 | 1603 | 31,3 | 19,7 | 6,9 | |

| N | Figure Reference | D | d | H | Figure |
|-----|------------------|-------|-------|------|--------|
| 32 | 668-A.70 | 31,45 | 20,2 | 6,7 | |
| 32 | 668-A | 31,45 | 20,2 | 6,7 | |
| 242 | 2242 | 31,5 | 27,2 | 15,1 | |
| 501 | 1906 | 31,5 | 27,8 | 5 | |
| 28 | 2127 | 31,55 | 19,85 | 6,6 | |
| 28 | 2127.70 | 31,55 | 19,85 | 6,6 | |
| 13 | 514.70 | 31,6 | 20 | 7,5 | |
| 13 | 514 | 31,6 | 20 | 7,5 | |
| 328 | 2391 | 31,6 | 33,7 | 13,4 | |
| 24 | 1466.70 | 31,65 | 16,5 | 9 | |
| 24 | 1466 | 31,65 | 16,5 | 9 | |
| 53 | 1347.70 | 31,7 | 11,7 | 5,5 | |
| 53 | 1347 | 31,7 | 11,7 | 5,5 | |
| 59 | 8005 | 31,7 | 14,6 | 6 | |
| 49 | 1325.70 | 31,7 | 21,1 | 8,1 | |
| 49 | 1325 | 31,7 | 21,1 | 8,1 | |
| 501 | 81010 | 31,7 | 27,9 | 4,9 | |
| 6 | 1605-AL | 31,75 | | 10,7 | |



FIGURES classified by diameter



| N | Figure Reference | D | d | H | Figure |
|-----|------------------|-------|------|------|--------|
| 54 | 584-A.70 | 31,75 | 11,7 | 5,5 | |
| 54 | 584-A | 31,75 | 11,7 | 5,5 | |
| 42 | 666.70 | 31,75 | 16,2 | 6,8 | |
| 42 | 666 | 31,75 | 16,2 | 6,8 | |
| 39 | 2511-R | 31,75 | 18 | 9 | |
| 82 | 2134 | 31,75 | 20 | 7 | |
| 14 | 2581-R | 31,75 | 20 | 8,6 | |
| 20 | 2192 | 31,75 | 20,3 | 5,4 | |
| 49 | 2595-R | 31,75 | 20,6 | 9,3 | |
| 14 | 2198 | 31,75 | 20,7 | 8,4 | |
| 32 | 8015 | 31,75 | 21,5 | 8,2 | |
| 32 | 2156 | 31,75 | 22,2 | 5 | |
| 20 | 8000 | 31,75 | 23 | 5 | |
| 20 | 2524-R | 31,75 | 26 | 4,6 | |
| 257 | G-20 | 31,8 | 11,1 | 42,5 | |
| 54 | 1384 | 31,8 | 14,3 | 8,8 | |
| 300 | F-13 | 31,8 | 14,5 | 63,5 | |
| 69 | 1472 | 31,83 | 26 | 8,5 | |

| N | Figure Reference | D | d | H | Figure |
|-----|------------------|-------|-------|-------|--------|
| 2 | 564 | 31,85 | | 9,5 | |
| 2 | 564.70 | 31,85 | | 9,5 | |
| 32 | 2110 | 31,85 | 21,1 | 5,9 | |
| 13 | W-30 | 31,9 | 20,65 | 7,13 | |
| 32 | 1214 | 31,9 | 21,8 | 9 | |
| 30 | 1456 | 31,95 | 19,7 | 9 | |
| 19 | 1205 | 31,95 | 22 | 8,65 | |
| 236 | 848 | 32 | 6,5 | 26 | |
| 255 | C-860 | 32 | 8,5 | 15,75 | |
| 307 | 2470 | 32 | 10,5 | 82 | |
| 251 | 736 | 32 | 12 | 13,1 | |
| 211 | 779 | 32 | 14,2 | 12 | |
| 32 | 654 | 32 | 18,8 | 9,5 | |
| 32 | 654.70 | 32 | 18,8 | 9,5 | |
| 25 | 1774 | 32 | 19,75 | 5,5 | |
| 231 | 1585 | 32 | 29 | 17,7 | |
| 242 | 1850 | 32 | 31,4 | 13,5 | |
| 9 | W-16 | 32,15 | | 7,2 | |



FIGURES classified by diameter



| N Figure Reference | D | d | H | Figure | |
|--------------------|-----------------|-------|------|--------|--|
| 260 | 1639 | 32,2 | 6,55 | 22,5 | |
| 36 | 1747 | 32,2 | 17,6 | 10 | |
| 40 | 1753 | 32,2 | 18,1 | 8,9 | |
| 51 | 8352 | 32,2 | 22,2 | 6 | |
| 9 | 614 | 32,25 | | 8 | |
| 9 | 614.70 | 32,25 | | 8 | |
| 1 | 1605 | 32,25 | | 10,5 | |
| 1 | 564-A | 32,25 | | 11 | |
| 1 | 564-A.70 | 32,25 | | 11 | |
| 1 | W-2 | 32,27 | | 11,1 | |
| 11 | 1473 | 32,3 | | 9 | |
| 232 | 1800 | 32,3 | 13,7 | 16,5 | |
| 32 | C-780 | 32,3 | 20,7 | 8,4 | |
| 9 | W-14 | 32,35 | | 8,5 | |
| 54 | 1773 | 32,38 | 17,7 | 5,5 | |
| 235 | 1847 | 32,4 | 27 | 16,5 | |
| 244 | 1598 | 32,4 | 32 | 12,5 | |
| 48 | 653.70 | 32,45 | 23 | 6 | |

| N Figure Reference | D | d | H | Figure | |
|--------------------|---------------|-------|------|--------|--|
| 48 | 653 | 32,45 | 23 | 6 | |
| 311 | 838 | 32,5 | 5,5 | 56,75 | |
| 30 | C-767 | 32,5 | 12 | 9 | |
| 505 | 544 | 32,5 | 20 | 7 | |
| 505 | 544.70 | 32,5 | 20 | 7 | |
| 49 | C-712 | 32,7 | 20 | 10,4 | |
| 30 | W-136 | 32,8 | 22,7 | 9 | |
| 256 | 2297 | 33 | 5,5 | 29 | |
| 255 | 744 | 33 | 7,5 | 21 | |
| 316 | F-3 | 33 | 8 | 52 | |
| 301 | 809 | 33 | 8 | 52 | |
| 319 | 2038 | 33 | 8,4 | 46,7 | |
| 301 | 810 | 33 | 12 | 59 | |
| 301 | F-16 | 33 | 12,4 | 58 | |
| 325 | 2474 | 33 | 17 | 84 | |
| 407 | 1818 | 33 | 17,2 | 10,4 | |
| 48 | W-171 | 33 | 22 | 6 | |
| 501 | W-115 | 33 | 23 | 2,5 | |



FIGURES classified by diameter



| N | Figure Reference | D | d | H | Figure |
|-----|------------------|-------|-------|-------|--------|
| 45 | 8231 | 33 | 24,5 | 4,5 | |
| 78 | 8228 | 33 | 26 | 4,2 | |
| 501 | W-46 | 33 | 27,5 | 3 | |
| 501 | W-54 | 33 | 28 | 3 | |
| 501 | W-54.70 | 33 | 28 | 3 | |
| 211 | 714 | 33,2 | 8,9 | 11,05 | |
| 54 | 8227 | 33,2 | 25 | 3,7 | |
| 257 | 2340 | 33,3 | 12,5 | 52,5 | |
| 201 | G-45 | 33,3 | 13,5 | 11 | |
| 308 | F-8 | 33,3 | 17,5 | 57,2 | |
| 45 | 8232 | 33,3 | 27,5 | 4,2 | |
| 11 | 1793 | 33,33 | | 8,5 | |
| 28 | 2579-R | 33,34 | 21 | 6,7 | |
| 72 | 2571-R | 33,34 | 22 | 6,2 | |
| 9 | C-921 | 33,5 | | 7,3 | |
| 3 | W-141 | 33,5 | | 10 | |
| 329 | G-32 | 33,5 | 8 | 25 | |
| 47 | 635 | 33,6 | 13,75 | 10,5 | |

| N | Figure Reference | D | d | H | Figure |
|-----|------------------|-------|-------|------|--------|
| 53 | 8019 | 33,6 | 15,75 | 8,2 | |
| 11 | 1727 | 33,65 | | 8,1 | |
| 20 | W-59 | 33,65 | 14,6 | 9,5 | |
| 81 | 8104 | 33,7 | 15,6 | 9,5 | |
| 59 | 1327 | 33,7 | 17,43 | 6,15 | |
| 30 | 1467 | 33,75 | 19,7 | 9,5 | |
| 408 | 1541 | 33,8 | 23,8 | 10,4 | |
| 76 | 8087 | 33,8 | 24,7 | 3,95 | |
| 241 | 1848 | 33,8 | 32,6 | 15,2 | |
| 11 | 1703 | 33,9 | | 8 | |
| 257 | G-36 | 34 | 7,5 | 53 | |
| 24 | C-836 | 34 | 8 | 79 | |
| 253 | 2291 | 34 | 8,5 | 17,5 | |
| 257 | G-37 | 34 | 12 | 53 | |
| 59 | 8004 | 34 | 14,6 | 6 | |
| 314 | F-17 | 34 | 15 | 54 | |
| 236 | 752 | 34 | 18,5 | 15,5 | |
| 429 | 8178 | 34 | 19 | 6 | |



FIGURES classified by diameter



| N | Figure Reference | D | d | H | Figure |
|-----|------------------|-------|-------|------|--------|
| 79 | 8045 | 34 | 20,5 | 7 | |
| 500 | 1294 | 34,1 | 28,2 | 3,2 | |
| 257 | 828 | 34,2 | 6 | 43 | |
| 313 | 2385 | 34,2 | 8,3 | 77 | |
| 57 | 1366.70 | 34,23 | 17,7 | 5,3 | |
| 57 | 1366 | 34,23 | 17,7 | 5,3 | |
| 57 | 1229.70 | 34,29 | 17,75 | 7,2 | |
| 57 | 1229 | 34,29 | 17,75 | 7,2 | |
| 64 | 1644 | 34,35 | 16,6 | 5,4 | |
| 75 | 1662 | 34,38 | 16,3 | 5 | |
| 500 | 1276 | 34,45 | 29,45 | 2,5 | |
| 320 | 898 | 34,5 | 6 | 42 | |
| 308 | F-2 | 34,5 | 6 | 46 | |
| 248 | 880 | 34,5 | 10 | 35 | |
| 440 | 2441 | 34,5 | 24,4 | 11,5 | |
| 24 | 8102 | 34,5 | 25,4 | 5,1 | |
| 49 | 1735 | 34,55 | 24 | 9,4 | |
| 64 | 1652 | 34,6 | 13,6 | 6,7 | |

| N | Figure Reference | D | d | H | Figure |
|-----|------------------|-------|------|-------|--------|
| 48 | 1771 | 34,6 | 20,4 | 6,8 | |
| 74 | 2587-R | 34,7 | 17,5 | 5 | |
| 239 | 740 | 34,8 | 6,1 | 10,15 | |
| 400 | 8051 | 34,8 | 22 | 11,3 | |
| 32 | 1751 | 34,8 | 25 | 5,5 | |
| 24 | 1469 | 34,85 | 17,4 | 8,7 | |
| 32 | 669 | 34,85 | 23,2 | 6,5 | |
| 32 | 669.70 | 34,85 | 23,2 | 6,5 | |
| 10 | 2551-R | 34,92 | | 8 | |
| 11 | 2501-R | 34,92 | | 8,2 | |
| 2 | 566 | 34,92 | | 9,5 | |
| 15 | 516 | 34,92 | 22 | 8,3 | |
| 19 | 2502-R | 34,92 | 26 | 6,3 | |
| 214 | 751 | 35 | 13 | 12 | |
| 505 | 8080 | 35 | 20,5 | 7,6 | |
| 301 | 2251 | 35 | 20,5 | 87 | |
| 522 | 2233 | 35 | 29 | 11,5 | |
| 500 | 698 | 35 | 29,9 | 2,5 | |



FIGURES classified by diameter



| N | Figure Reference | D | d | H | Figure |
|-----|------------------|-------|------|------|--------|
| 500 | 698.70 | 35 | 29,9 | 2,5 | |
| 20 | W-82 | 35,35 | 25 | 4 | |
| 262 | 2157 | 35,4 | 10 | 5,4 | |
| 429 | 8120 | 35,5 | 20 | 5,6 | |
| 76 | 8101 | 35,5 | 25,4 | 4 | |
| 19 | 678.70 | 35,5 | 26,2 | 6,5 | |
| 19 | 678 | 35,5 | 26,2 | 6,5 | |
| 9 | W-153 | 35,8 | | 8 | |
| 9 | 616.70 | 35,8 | | 8,6 | |
| 9 | 616 | 35,8 | | 8,6 | |
| 213 | 894 | 35,8 | 14,8 | 15,5 | |
| 204 | 764 | 36 | 12,5 | 20 | |
| 417 | 1820 | 36 | 18,2 | 12,5 | |
| 510 | 699 | 36 | 30 | 3 | |
| 58 | C-906 | 36,1 | 25 | 7 | |
| 265 | 1517 | 36,2 | 6,5 | 4,5 | |
| 500 | 1271 | 36,2 | 30,3 | 3,2 | |
| 213 | 1532 | 36,3 | 12,3 | 12,8 | |

| N | Figure Reference | D | d | H | Figure |
|-----|------------------|-------|-------|-------|--------|
| 30 | 2150 | 36,3 | 26,5 | 6,1 | |
| 501 | C-720 | 36,5 | 22 | 1,7 | |
| 36 | 1475 | 36,55 | 22,3 | 8 | |
| 31 | 1455 | 36,6 | 22,3 | 8 | |
| 13 | 518 | 36,6 | 23,4 | 7,5 | |
| 13 | 518.70 | 36,6 | 23,4 | 7,5 | |
| 205 | 766 | 36,75 | 13 | 20 | |
| 505 | W-72 | 36,75 | 17,5 | 4,75 | |
| 65 | 2104 | 36,8 | 18,4 | 6,3 | |
| 9 | W-154 | 36,83 | | 8,69 | |
| 500 | C-687 | 36,9 | 31,9 | 2,5 | |
| 307 | F-6 | 37 | 5 | 33,35 | |
| 301 | 812 | 37 | 13,5 | 52 | |
| 32 | C-781 | 37 | 24,97 | 7,9 | |
| 32 | 2597-R | 37 | 27 | 7,5 | |
| 266 | 2029 | 37 | 29,7 | 4,2 | |
| 242 | 2489 | 37 | 37,5 | 15 | |
| 410 | 2397 | 37,1 | 23,7 | 10,7 | |



FIGURES classified by diameter



| N | Figure Reference | D | d | H | Figure |
|-----|------------------|-------|-------|------|--------|
| 500 | 1939 | 37,1 | 31,1 | 3,2 | |
| 500 | 1939.70 | 37,1 | 31,1 | 3,2 | |
| 16 | 2158 | 37,15 | 28 | 6,7 | |
| 406 | 2226 | 37,2 | 20,3 | 10 | |
| 47 | W-24 | 37,2 | 28 | 8,4 | |
| 47 | W-24.70 | 37,2 | 28 | 8,4 | |
| 508 | W-63 | 37,25 | 28,5 | 3,2 | |
| 47 | W-40 | 37,3 | 24,6 | 7,8 | |
| 509 | 594 | 37,35 | 30,3 | 3,75 | |
| 509 | 594.70 | 37,35 | 30,3 | 3,75 | |
| 9 | C-917 | 37,4 | | 7,4 | |
| 74 | 8048 | 37,4 | 15,3 | 5,2 | |
| 12 | 1448 | 37,5 | | 9 | |
| 256 | G-18 | 37,5 | 5,6 | 20,5 | |
| 429 | 8187 | 37,5 | 21,2 | 6 | |
| 17 | 1370 | 37,55 | 23,8 | 7,8 | |
| 32 | 1206 | 37,55 | 28,4 | 8,4 | |
| 23 | 1744 | 37,58 | 25,85 | 7 | |

| N | Figure Reference | D | d | H | Figure |
|-----|------------------|-------|-------|------|--------|
| 316 | 2330 | 37,6 | 7 | 56 | |
| 232 | 1580 | 37,6 | 19 | 16,3 | |
| 401 | 1870 | 37,6 | 21,5 | 9 | |
| 43 | 1312 | 37,73 | 25,7 | 9,6 | |
| 49 | 1460 | 37,75 | 26 | 10,5 | |
| 49 | 1460.70 | 37,75 | 26 | 10,5 | |
| 248 | C-816 | 37,8 | 15,5 | 27 | |
| 420 | 1817 | 37,8 | 22 | 7,2 | |
| 245 | 2034 | 37,8 | 26,5 | 13,2 | |
| 400 | 1883 | 37,9 | 21,6 | 12,1 | |
| 235 | 1564 | 37,9 | 32,2 | 15,7 | |
| 49 | 1424.70 | 37,93 | 27,3 | 8,7 | |
| 49 | 1424 | 37,93 | 27,3 | 8,7 | |
| 256 | 897 | 38 | 5,5 | 23 | |
| 249 | 2055 | 38 | 9,5 | 31,2 | |
| 258 | G-44 | 38 | 11,2 | 17 | |
| 236 | 735 | 38 | 16 | 22,5 | |
| 43 | 1432 | 38 | 26,85 | 6,7 | |



FIGURES classified by diameter



| N | Figure Reference | D | d | H | Figure |
|-----|------------------|-------|------|------|--------|
| 500 | 1277.70 | 38 | 33 | 2,55 | |
| 500 | 1277 | 38 | 33 | 2,55 | |
| 54 | 588 | 38,05 | 17,5 | 11 | |
| 37 | 592.70 | 38,05 | 26,8 | 6,7 | |
| 37 | 592 | 38,05 | 26,8 | 6,7 | |
| 12 | 2505-R | 38,1 | | 8,3 | |
| 10 | 2550-R | 38,1 | | 8,5 | |
| 3 | 568-AL | 38,1 | | 10,5 | |
| 1 | 1604-A | 38,1 | | 11 | |
| 54 | 2187 | 38,1 | 15,7 | 9 | |
| 27 | 2191 | 38,1 | 23,2 | 9,6 | |
| 20 | 2190 | 38,1 | 26,2 | 5,4 | |
| 47 | 1781 | 38,1 | 26,4 | 10 | |
| 25 | 2503-R | 38,1 | 28 | 8,2 | |
| 2 | 568 | 38,15 | | 10,5 | |
| 2 | 568.70 | 38,15 | | 10,5 | |
| 13 | W-31 | 38,22 | 25,4 | 7,92 | |
| 30 | 1764 | 38,25 | 23,7 | 10,2 | |

| N | Figure Reference | D | d | H | Figure |
|-----|------------------|-------|-------|------|--------|
| 32 | 669-A | 38,25 | 25 | 9,2 | |
| 15 | 538 | 38,25 | 29,2 | 7 | |
| 32 | 1423.70 | 38,25 | 30,5 | 5,3 | |
| 32 | 1423 | 38,25 | 30,5 | 5,3 | |
| 1 | 1604 | 38,3 | | 11 | |
| 6 | 1604-AL | 38,3 | | 11 | |
| 203 | 2092 | 38,3 | 13,8 | 19 | |
| 400 | 1531 | 38,3 | 21,5 | 11,9 | |
| 500 | W-58 | 38,3 | 31,5 | 3,8 | |
| 23 | 1492 | 38,4 | 26,8 | 8,4 | |
| 23 | C-743 | 38,4 | 28,35 | 8 | |
| 500 | 1916 | 38,45 | 32,45 | 3,2 | |
| 54 | 598.70 | 38,5 | 16,5 | 8 | |
| 54 | 598 | 38,5 | 16,5 | 8 | |
| 39 | 8172 | 38,5 | 18,1 | 11 | |
| 505 | 1219.70 | 38,5 | 23 | 8 | |
| 505 | 1219 | 38,5 | 23 | 8 | |
| 20 | C-741 | 38,5 | 24,9 | 7,1 | |



FIGURES classified by diameter



| N | Figure Reference | D | d | H | Figure |
|-----|------------------|-------|------|-------|--------|
| 522 | 1809 | 38,5 | 32,7 | 12,4 | |
| 4 | W-4 | 38,67 | | 11,1 | |
| 508 | W-51 | 38,7 | 33 | 4,4 | |
| 48 | W-39 | 38,75 | 25,5 | 7,6 | |
| 48 | W-39.70 | 38,75 | 25,5 | 7,6 | |
| 9 | W-15 | 38,78 | | 9,15 | |
| 209 | 1550 | 38,8 | 15 | 18,8 | |
| 36 | 1465 | 38,83 | 24,5 | 10,2 | |
| 33 | W-116 | 38,9 | 26,7 | 6,7 | |
| 9 | 618.70 | 39 | | 8,9 | |
| 9 | 618 | 39 | | 8,9 | |
| 211 | 716 | 39 | 10 | 11,5 | |
| 209 | G-42 | 39 | 11,5 | 12,25 | |
| 209 | G-43 | 39 | 11,8 | 11,6 | |
| 301 | 810-A | 39 | 12 | 57 | |
| 313 | F-7 | 39 | 12 | 84 | |
| 39 | 8167 | 39 | 21,8 | 10,5 | |
| 48 | 523-I | 39 | 25,7 | 7,7 | |

| N | Figure Reference | D | d | H | Figure |
|-----|------------------|-------|-------|-------|--------|
| 501 | C-732 | 39 | 29 | 2,5 | |
| 501 | 81012 | 39 | 31 | 2,5 | |
| 501 | W-35 | 39 | 31 | 2,5 | |
| 510 | 1579 | 39 | 33 | 3 | |
| 507 | 8239 | 39 | 35,7 | 2,5 | |
| 507 | 8089 | 39,2 | 35,65 | 2,5 | |
| 507 | 8118 | 39,2 | 35,65 | 2,5 | |
| 48 | 528.70 | 39,25 | 25,8 | 7,5 | |
| 48 | 528 | 39,25 | 25,8 | 7,5 | |
| 249 | G-21 | 39,49 | 10,16 | 31,75 | |
| 301 | 814 | 39,5 | 18 | 58 | |
| 440 | 8052 | 39,5 | 26 | 11 | |
| 440 | 8160 | 39,5 | 26 | 11 | |
| 408 | 1886 | 39,6 | 24,6 | 10 | |
| 500 | 1280 | 39,7 | 33,5 | 3,1 | |
| 500 | W-96 | 39,7 | 33,6 | 3,2 | |
| 254 | 846 | 39,75 | 8,5 | 27 | |
| 440 | 8123 | 39,75 | 26,25 | 11 | |



FIGURES classified by diameter



| N | Figure Reference | D | d | H | Figure |
|-----|------------------|-------|-------|------|--------|
| 6 | W-143 | 39,8 | | 11 | |
| 5 | W-142 | 39,8 | | 11 | |
| 252 | 2088 | 39,8 | 8,1 | 22,2 | |
| 500 | 1901 | 39,9 | 33,9 | 3,2 | |
| 249 | 1599 | 40 | 8,8 | 21 | |
| 417 | 2323 | 40 | 19 | 8 | |
| 429 | 8121 | 40 | 23,5 | 6 | |
| 505 | 8026 | 40 | 24 | 8 | |
| 215 | 8032 | 40 | 26,3 | 14,5 | |
| 447 | 8095 | 40 | 34 | 10 | |
| 502 | W-50 | 40 | 37 | 13 | |
| 401 | 2325 | 40,2 | 22,9 | 11 | |
| 406 | 1597 | 40,2 | 23,1 | 10,8 | |
| 404 | 2275 | 40,25 | 22,45 | 11,7 | |
| 32 | 639 | 40,3 | 14 | 10,5 | |
| 231 | 1810 | 40,3 | 19,3 | 15,7 | |
| 204 | 768 | 40,5 | 13,7 | 25 | |
| 20 | C-828 | 40,5 | 25 | 8 | |

| N | Figure Reference | D | d | H | Figure |
|-----|------------------|-------|-------|------|--------|
| 264 | 2090 | 40,5 | 27,2 | 12 | |
| 500 | 1295 | 40,5 | 34,5 | 3,2 | |
| 500 | 1926.70 | 40,5 | 35,8 | 2,5 | |
| 500 | 1926 | 40,5 | 35,8 | 2,5 | |
| 56 | W-93 | 40,6 | 30 | 5 | |
| 77 | 8197 | 40,7 | 17,1 | 12,2 | |
| 249 | 2415 | 41 | 9 | 18,5 | |
| 262 | 1446 | 41 | 9,7 | 4,9 | |
| 210 | 2093 | 41 | 12,7 | 18 | |
| 262 | 2339 | 41 | 16 | 4,4 | |
| 77 | 8212 | 41 | 18,45 | 5,4 | |
| 401 | 2361 | 41 | 22,8 | 12,4 | |
| 234 | G-7 | 41 | 29,25 | 15 | |
| 447 | 8203 | 41 | 33,7 | 9,8 | |
| 500 | 546 | 41 | 35 | 3,4 | |
| 54 | 1316 | 41,05 | 15,7 | 9,9 | |
| 32 | 1437 | 41,05 | 30,1 | 6,7 | |
| 32 | 1437.70 | 41,05 | 30,1 | 6,7 | |



FIGURES classified by diameter



| N | Figure Reference | D | d | H | Figure |
|-----|------------------|-------|-------|------|--------|
| 49 | 1315 | 41,08 | 29,8 | 10,7 | |
| 49 | 1315.70 | 41,08 | 29,8 | 10,7 | |
| 200 | 1536 | 41,1 | 17,9 | 21,1 | |
| 430 | 2333 | 41,1 | 23,2 | 5,3 | |
| 419 | 2318 | 41,2 | 23,8 | 6,8 | |
| 54 | 8070 | 41,2 | 25 | 7,5 | |
| 19 | 8071 | 41,2 | 28 | 8 | |
| 23 | 8072 | 41,2 | 28,5 | 8,5 | |
| 32 | 2533-R | 41,27 | 29,2 | 10,2 | |
| 400 | 1872 | 41,4 | 23,5 | 9,2 | |
| 500 | 1285 | 41,4 | 35,5 | 3,2 | |
| 20 | 1317 | 41,48 | 29,05 | 6 | |
| 411 | 864 | 41,5 | 22 | 15 | |
| 20 | C-875 | 41,5 | 25 | 8 | |
| 429 | 8122 | 41,5 | 25,5 | 6,5 | |
| 426 | 1828 | 41,5 | 28 | 8,5 | |
| 501 | 81011 | 41,5 | 28,5 | 2,4 | |
| 39 | 1767 | 41,6 | 23,6 | 9,8 | |

| N | Figure Reference | D | d | H | Figure |
|-----|------------------|-------|------|------|--------|
| 429 | 8029 | 41,6 | 26 | 7 | |
| 302 | 2287 | 41,65 | 8,05 | 67 | |
| 510 | 2396 | 41,7 | 35,7 | 3 | |
| 500 | 1293 | 41,8 | 29,7 | 3,2 | |
| 9 | 1739 | 41,85 | | 10 | |
| 9 | W-70 | 41,9 | | 9,9 | |
| 25 | 1426-E | 41,9 | 28,5 | 6,2 | |
| 49 | 1426 | 41,9 | 28,5 | 10,4 | |
| 510 | 1543 | 41,95 | 36,2 | 2,5 | |
| 231 | 2485 | 42 | 6,5 | 13 | |
| 400 | 8210 | 42 | 25 | 11,5 | |
| 406 | 2447 | 42 | 26 | 10 | |
| 419 | 2424 | 42 | 27,5 | 5,7 | |
| 500 | W-9 | 42,15 | 37,5 | 3,2 | |
| 400 | 1529 | 42,2 | 26,3 | 10,7 | |
| 500 | 1270 | 42,2 | 36,3 | 3 | |
| 263 | 2028 | 42,4 | 28,6 | 7,5 | |
| 501 | 81009 | 42,5 | 26 | 3,2 | |



FIGURES classified by diameter



| N | Figure Reference | D | d | H | Figure |
|-----|------------------|------|------|------|--------|
| 429 | G-23 | 42,5 | 26 | 7 | |
| 429 | 2378 | 42,7 | 25,4 | 7,5 | |
| 430 | 8028 | 42,7 | 25,5 | 6 | |
| 242 | 2393 | 42,7 | 41,7 | 17,3 | |
| 501 | 81008 | 42,8 | 24,3 | 2 | |
| 211 | 718 | 43 | 9 | 14 | |
| 417 | 782 | 43 | 20 | 8 | |
| 501 | 8174 | 43 | 20,4 | 3,8 | |
| 501 | W-134 | 43 | 25 | 2 | |
| 438 | 1856 | 43 | 34,8 | 10,5 | |
| 410 | 1549 | 43 | 37 | 7,5 | |
| 522 | C-863 | 43 | 40 | 18,5 | |
| 32 | 2146 | 43,1 | 32,5 | 9 | |
| 49 | W-131 | 43,3 | 28,6 | 10 | |
| 500 | 1900 | 43,3 | 37,4 | 3,2 | |
| 419 | 1555 | 43,4 | 27,2 | 6,1 | |
| 24 | 1497 | 43,4 | 31,1 | 6,3 | |
| 318 | 2280 | 43,5 | 16,8 | 35 | |

| N | Figure Reference | D | d | H | Figure |
|-----|------------------|-------|------|------|--------|
| 301 | 818 | 43,5 | 18,8 | 59 | |
| 414 | 8196 | 43,5 | 22 | 7 | |
| 448 | 8230 | 43,5 | 25,5 | 10,5 | |
| 420 | 1527 | 43,55 | 25 | 7 | |
| 19 | 8018 | 43,6 | 19,2 | 6,3 | |
| 263 | 2078 | 43,6 | 31 | 4 | |
| 32 | 628 | 43,6 | 32,5 | 9,6 | |
| 213 | C-752 | 43,65 | 11,9 | 12,7 | |
| 36 | 1777 | 43,65 | 28,8 | 11,3 | |
| 433 | 2446 | 43,7 | 25 | 9,5 | |
| 429 | 8154 | 43,7 | 27 | 6 | |
| 509 | 1738 | 43,8 | 36,7 | 3,6 | |
| 13 | 522.70 | 43,85 | 30,5 | 8,5 | |
| 13 | 522 | 43,85 | 30,5 | 8,5 | |
| 263 | 2082 | 43,9 | 32,2 | 5,1 | |
| 214 | C-815 | 44 | 12,8 | 12,5 | |
| 262 | 2484 | 44 | 15,5 | 4,8 | |
| 248 | 873 | 44 | 18,4 | 32 | |



FIGURES classified by diameter



| N | Figure Reference | D | d | H | Figure |
|-----|------------------|-------|-------|------|--------|
| 300 | F-18 | 44 | 19 | 70 | |
| 443 | 2379 | 44 | 21 | 7,8 | |
| 429 | 1814 | 44 | 23,5 | 6,9 | |
| 60 | 2578-R | 44 | 25,5 | 6 | |
| 400 | 2448 | 44 | 28 | 13,8 | |
| 215 | 865 | 44 | 30,3 | 15,5 | |
| 501 | W-53 | 44 | 36 | 5 | |
| 500 | 546-A | 44 | 38 | 3,25 | |
| 29 | 2151 | 44,1 | 35,5 | 6,7 | |
| 403 | 1842 | 44,2 | 24,5 | 9,3 | |
| 49 | 1461 | 44,25 | 30,3 | 11,5 | |
| 414 | 1595 | 44,3 | 23,2 | 6,3 | |
| 24 | 1207 | 44,35 | 33,55 | 9 | |
| 10 | 2549-R | 44,45 | | 10 | |
| 54 | 2184 | 44,45 | 23,5 | 7 | |
| 54 | 2538-R | 44,45 | 26 | 6,3 | |
| 25 | 2543-R | 44,45 | 31 | 9 | |
| 33 | 2535-R | 44,45 | 35 | 5 | |

| N | Figure Reference | D | d | H | Figure |
|-----|------------------|-------|------|-------|--------|
| 311 | F-5 | 44,5 | 15,8 | 85,75 | |
| 500 | 8069 | 44,5 | 24,5 | 2,5 | |
| 429 | 2387 | 44,5 | 26,3 | 6,4 | |
| 430 | 8093 | 44,5 | 27 | 6 | |
| 422 | 2401 | 44,5 | 30 | 6,6 | |
| 26 | 679-E | 44,55 | 31,4 | 6 | |
| 49 | 679 | 44,55 | 31,4 | 10,2 | |
| 49 | 679.70 | 44,55 | 31,4 | 10,2 | |
| 400 | 2254 | 44,6 | 29,5 | 10,4 | |
| 32 | 1737 | 44,6 | 33,1 | 6,8 | |
| 500 | 8331 | 44,6 | 37,8 | 3,4 | |
| 500 | 544-A | 44,6 | 37,8 | 3,8 | |
| 406 | 1896 | 44,7 | 27,1 | 10,5 | |
| 5 | 572 | 44,75 | | 10,5 | |
| 505 | 1400.70 | 44,8 | 29,2 | 8,05 | |
| 505 | 1400 | 44,8 | 29,2 | 8,05 | |
| 500 | 1905 | 44,8 | 38,8 | 3,2 | |
| 500 | 1935 | 44,8 | 39,8 | 2,5 | |



FIGURES classified by diameter



| N | Figure Reference | D | d | H | Figure |
|-----|------------------|-------|-------|------|--------|
| 500 | 1935.70 | 44,8 | 39,8 | 2,5 | |
| 500 | 1904 | 44,8 | 39,8 | 3,2 | |
| 9 | 622.70 | 44,85 | | 9,7 | |
| 9 | 622 | 44,85 | | 9,7 | |
| 414 | 2445 | 45 | 23 | 8 | |
| 500 | 1927 | 45 | 26,9 | 3 | |
| 400 | 1509 | 45 | 29,9 | 11,1 | |
| 424 | 1826 | 45 | 30 | 6,8 | |
| 425 | 1515 | 45 | 32 | 8 | |
| 505 | W-106 | 45,2 | 31 | 9,7 | |
| 505 | 631-A | 45,2 | 32,25 | 9,4 | |
| 18 | W-125 | 45,49 | 42,06 | 6,85 | |
| 448 | 8188 | 45,5 | 26 | 10,8 | |
| 429 | 8100 | 45,5 | 28 | 5,5 | |
| 420 | 2309 | 45,5 | 28 | 7,5 | |
| 429 | 2499.70 | 45,5 | 29,2 | 5,8 | |
| 429 | 2499 | 45,5 | 29,2 | 5,8 | |
| 403 | 2368 | 45,6 | 26,3 | 9,8 | |

| N | Figure Reference | D | d | H | Figure |
|-----|------------------|------|------|------|--------|
| 420 | 2319 | 45,6 | 28 | 8 | |
| 500 | 1921 | 45,7 | 39,5 | 3,2 | |
| 202 | 789 | 45,8 | 18,2 | 18 | |
| 301 | F-9 | 46 | 17,5 | 70 | |
| 416 | 1812 | 46 | 22,1 | 10,2 | |
| 235 | 1849 | 46 | 29,2 | 13,2 | |
| 417 | 861 | 46,2 | 25 | 8 | |
| 510 | 1881 | 46,2 | 40 | 2,9 | |
| 500 | 1268 | 46,3 | 40,3 | 3 | |
| 500 | 1268-A | 46,3 | 40,3 | 4,5 | |
| 500 | 1268-E | 46,3 | 40,3 | 4,75 | |
| 434 | 2480 | 46,4 | 25,6 | 13 | |
| 400 | 1801 | 46,4 | 29 | 12 | |
| 5 | W-124 | 46,5 | | 11 | |
| 5 | W-144 | 46,5 | | 11 | |
| 406 | 1511 | 46,5 | 32,6 | 11,2 | |
| 22 | W-101 | 46,5 | 37,5 | 5 | |
| 404 | 1808 | 46,6 | 28,9 | 11,7 | |



FIGURES classified by diameter



| N | Figure Reference | D | d | H | Figure |
|-----|------------------|------|------|-------|--------|
| 324 | 843 | 46,7 | 15,5 | 68 | |
| 433 | 1869 | 46,7 | 21,6 | 9,3 | |
| 409 | 877 | 46,7 | 31,6 | 14,5 | |
| 213 | G-49 | 46,8 | 8 | 20,7 | |
| 9 | W-119 | 46,9 | | 10 | |
| 449 | 8109 | 47 | 31,5 | 6,4 | |
| 49 | C-814 | 47 | 32 | 10,3 | |
| 400 | 1897 | 47 | 32,3 | 11,45 | |
| 420 | 8221 | 47 | 33 | 7 | |
| 500 | 694.70 | 47 | 42 | 2,5 | |
| 500 | 694 | 47 | 42 | 2,5 | |
| 49 | 8013 | 47,2 | 32 | 10 | |
| 510 | 1514 | 47,2 | 41,7 | 2,5 | |
| 31 | C-703 | 47,4 | 26,8 | 11,5 | |
| 403 | 2363 | 47,4 | 30,7 | 10 | |
| 500 | 1914 | 47,4 | 41,5 | 3,2 | |
| 500 | 1930 | 47,4 | 41,5 | 4,2 | |
| 204 | 722 | 47,5 | 11,5 | 15 | |

| N | Figure Reference | D | d | H | Figure |
|-----|------------------|-------|------|------|--------|
| 416 | 2234 | 47,5 | 27 | 7 | |
| 434 | 2431 | 47,5 | 27,4 | 12,2 | |
| 429 | 8153 | 47,6 | 30 | 6 | |
| 442 | 2416 | 47,6 | 38 | 6 | |
| 47 | 1476 | 47,65 | 37,9 | 6,85 | |
| 400 | 2312 | 47,7 | 31,2 | 12 | |
| 213 | 2413 | 48 | 12 | 16 | |
| 247 | 8035 | 48 | 14,1 | 23,8 | |
| 206 | G-46 | 48 | 18,5 | 27 | |
| 39 | 8211 | 48 | 30 | 10,5 | |
| 400 | 8358 | 48 | 30 | 11,5 | |
| 31 | C-914 | 48 | 37,8 | 6,3 | |
| 423 | 2021 | 48,1 | 20,5 | 10,3 | |
| 420 | 1559 | 48,1 | 33 | 7,2 | |
| 421 | 2022 | 48,2 | 30 | 4,9 | |
| 422 | 2320 | 48,4 | 32,7 | 6 | |
| 430 | 8094 | 48,5 | 31,5 | 6 | |
| 440 | 8058 | 48,5 | 34 | 11,3 | |



FIGURES classified by diameter



| N | Figure Reference | D | d | H | Figure |
|-----|------------------|-------|-------|------|--------|
| 510 | 695.70 | 48,5 | 42,4 | 3 | |
| 510 | 695 | 48,5 | 42,4 | 3 | |
| 446 | 8110 | 48,6 | 23,4 | 9,2 | |
| 500 | 1267 | 48,8 | 42,8 | 3,3 | |
| 446 | 8191 | 49 | 23 | 9 | |
| 438 | 8236 | 49 | 36 | 12 | |
| 418 | 1831 | 49,1 | 37,6 | 5,8 | |
| 500 | 1278 | 49,1 | 42,8 | 3,4 | |
| 500 | 1297 | 49,15 | 43,15 | 3,1 | |
| 417 | 861-A | 49,2 | 29 | 8,1 | |
| 444 | 1594 | 49,2 | 33,3 | 6,6 | |
| 500 | 1937 | 49,2 | 43,2 | 2,5 | |
| 500 | 1937.70 | 49,2 | 43,2 | 2,5 | |
| 500 | 1282 | 49,2 | 43,2 | 3,15 | |
| 446 | 8209 | 49,3 | 25,6 | 9,8 | |
| 433 | 2492 | 49,3 | 30 | 10,5 | |
| 433 | 2200 | 49,3 | 30,2 | 9 | |
| 434 | 8306 | 49,5 | 29 | 12,5 | |

| N | Figure Reference | D | d | H | Figure |
|-----|------------------|------|------|------|--------|
| 449 | 8112 | 49,5 | 33,5 | 5 | |
| 442 | 8083 | 49,5 | 34 | 5,5 | |
| 26 | 2166 | 49,5 | 36,5 | 8 | |
| 411 | 863 | 49,6 | 33 | 9 | |
| 429 | 8020 | 49,7 | 33 | 5,6 | |
| 400 | 2467 | 50 | 32,8 | 10,8 | |
| 401 | 8267 | 50 | 34,5 | 13,7 | |
| 501 | 697-A | 50 | 39 | 2,5 | |
| 501 | 797-A | 50 | 39 | 2,5 | |
| 500 | 1262 | 50 | 44,7 | 2,5 | |
| 500 | 696 | 50 | 44,8 | 2,5 | |
| 500 | 696.70 | 50 | 44,8 | 2,5 | |
| 500 | 1931 | 50 | 44,8 | 3,1 | |
| 500 | W-135 | 50 | 45 | 2,5 | |
| 427 | 1824 | 50,3 | 36,5 | 5,6 | |
| 500 | 1266 | 50,3 | 44,5 | 3,1 | |
| 430 | 8127 | 50,5 | 32,6 | 5,5 | |
| 400 | 1890 | 50,5 | 34,7 | 11,4 | |



FIGURES classified by diameter



| N | Figure Reference | D | d | H | Figure |
|-----|------------------|-------|-------|------|--------|
| 510 | 8150 | 50,5 | 44,5 | 2,5 | |
| 429 | 2065 | 50,6 | 26,5 | 6,6 | |
| 4 | 1393 | 50,65 | | 10,8 | |
| 4 | 1393.70 | 50,65 | | 10,8 | |
| 400 | 2264 | 50,7 | 31,5 | 11,3 | |
| 400 | 2064 | 50,7 | 32,1 | 11,8 | |
| 505 | 1477 | 50,8 | 33 | 9,8 | |
| 501 | 81023 | 50,8 | 41,6 | 1,6 | |
| 35 | 4000/6 | 50,9 | 39,15 | 8,5 | |
| 311 | 820 | 51 | 19,8 | 7,3 | |
| 434 | 2377 | 51 | 30,8 | 13 | |
| 400 | 2045 | 51 | 32 | 11,2 | |
| 449 | 8329 | 51 | 35,5 | 6 | |
| 428 | 867-A | 51 | 35,6 | 7,3 | |
| 19 | 955 | 51 | 37 | 7 | |
| 510 | 697 | 51 | 45 | 3 | |
| 510 | 697.70 | 51 | 45 | 3 | |
| 510 | 1263 | 51 | 45 | 3 | |

| N | Figure Reference | D | d | H | Figure |
|-----|------------------|-------|-------|------|--------|
| 405 | 1832 | 51,1 | 33,5 | 9,4 | |
| 49 | 1425.70 | 51,3 | 37,3 | 10,7 | |
| 49 | 1425 | 51,3 | 37,3 | 10,7 | |
| 23 | W-34 | 51,3 | 37,85 | 8,5 | |
| 23 | W-34.70 | 51,3 | 37,85 | 8,5 | |
| 71 | C-912 | 51,3 | 44 | 6 | |
| 500 | 545 | 51,3 | 45,5 | 3,3 | |
| 254 | 888 | 51,5 | 14,5 | 14,6 | |
| 20 | C-782 | 51,5 | 30,5 | 10,6 | |
| 429 | 8144 | 51,5 | 31,5 | 5,5 | |
| 430 | 2438 | 51,5 | 32,5 | 6 | |
| 433 | 2210 | 51,5 | 33,5 | 9,7 | |
| 429 | 8215 | 51,5 | 35 | 6,5 | |
| 500 | 1298 | 51,5 | 45,5 | 3,2 | |
| 9 | 626.70 | 51,55 | | 9 | |
| 9 | 626 | 51,55 | | 9 | |
| 21 | 79 | 51,7 | 23 | 11,2 | |
| 410 | 784 | 51,7 | 34 | 9 | |



FIGURES classified by diameter



| N Figure Reference | D | d | H | Figure | |
|--------------------|-------------|-------|-------|--------|--|
| 201 | 1533 | 51,9 | 18,1 | 22 | |
| 300 | F-1 | 52 | 19 | 94 | |
| 446 | 8265 | 52 | 25 | 9 | |
| 418 | 2311 | 52 | 37 | 5,5 | |
| 440 | 2039 | 52 | 38 | 12 | |
| 500 | 1299 | 52,05 | 46,15 | 3,2 | |
| 500 | 1929 | 52,05 | 46,15 | 3,8 | |
| 414 | 2239 | 52,3 | 29 | 9 | |
| 406 | 890 | 52,3 | 37 | 11,3 | |
| 414 | 1876 | 52,4 | 25,5 | 8,8 | |
| 414 | 1821 | 52,5 | 29,3 | 7,7 | |
| 400 | 8359 | 52,5 | 31,7 | 11,2 | |
| 433 | 2095 | 52,5 | 34,2 | 9 | |
| 433 | 2098 | 52,55 | 30,3 | 9,6 | |
| 420 | 2277 | 52,6 | 32,8 | 4,8 | |
| 400 | 2245 | 52,6 | 34,5 | 13,7 | |
| 408 | 875 | 52,6 | 40,8 | 10,3 | |
| 430 | 2305 | 52,7 | 33,7 | 4,8 | |

| N Figure Reference | D | d | H | Figure | |
|--------------------|---------------|-------|-------|--------|--|
| 510 | 1815 | 52,75 | 47,2 | 2,5 | |
| 431 | 2486 | 52,8 | 24,3 | 5,5 | |
| 401 | 1528 | 52,8 | 34 | 13 | |
| 400 | 1894 | 52,8 | 36,2 | 11,1 | |
| 510 | 1880 | 52,8 | 47,2 | 2,5 | |
| 420 | 2301 | 52,9 | 35,2 | 6 | |
| 408 | 889 | 52,9 | 37,5 | 11,45 | |
| 209 | 724 | 53 | 11 | 15 | |
| 441 | 2411 | 53,2 | 30 | 12 | |
| 400 | 2468 | 53,3 | 32,3 | 11,2 | |
| 500 | 8036 | 53,3 | 47 | 4,8 | |
| 414 | 8108 | 53,4 | 30,1 | 7 | |
| 409 | 1554 | 53,4 | 37,7 | 11,2 | |
| 500 | 1903-A | 53,45 | 47,35 | 2,5 | |
| 500 | 1903 | 53,45 | 47,35 | 3,2 | |
| 311 | F-4 | 54 | 20,5 | 73,5 | |
| 434 | 8372 | 54 | 35,5 | 14 | |
| 400 | 2449 | 54 | 36 | 11,2 | |



FIGURES classified by diameter



| N | Figure Reference | D | d | H | Figure |
|-----|------------------|------|------|------|--------|
| 401 | 8268 | 54 | 37 | 10,2 | |
| 500 | 547 | 54,1 | 48,1 | 3,2 | |
| 500 | 547.70 | 54,1 | 48,1 | 3,2 | |
| 500 | W-97 | 54,1 | 48,1 | 3,7 | |
| 430 | 2369 | 54,2 | 34 | 7,5 | |
| 400 | 1553 | 54,4 | 39 | 11,5 | |
| 501 | 81015 | 54,4 | 47 | 2,5 | |
| 417 | 2266 | 54,5 | 29,7 | 10,6 | |
| 421 | 872 | 54,5 | 38,5 | 5 | |
| 500 | 548.70 | 54,5 | 48,5 | 3,2 | |
| 500 | 548 | 54,5 | 48,5 | 3,2 | |
| 448 | G-25 | 54,6 | 32,7 | 9 | |
| 446 | 8126 | 55 | 29 | 10,5 | |
| 432 | 8149 | 55 | 33 | 14 | |
| 400 | 8130 | 55 | 34 | 12 | |
| 434 | 8023 | 55 | 35 | 13,4 | |
| 501 | 8175 | 55 | 36 | 3,9 | |
| 401 | 1838 | 55 | 36,5 | 12 | |

| N | Figure Reference | D | d | H | Figure |
|-----|------------------|-------|-------|------|--------|
| 400 | 879 | 55 | 36,6 | 11 | |
| 501 | C-887 | 55 | 36,9 | 3 | |
| 408 | 876 | 55 | 43,5 | 9,8 | |
| 500 | 692 | 55 | 49 | 3,1 | |
| 430 | 8085 | 55,2 | 34 | 4 | |
| 500 | W-118 | 55,2 | 49 | 3 | |
| 20 | W-91 | 55,4 | 44 | 6 | |
| 433 | 2430 | 55,5 | 36,5 | 10 | |
| 441 | 2419 | 55,5 | 38 | 12 | |
| 440 | 2267 | 55,5 | 41 | 11,5 | |
| 401 | 896 | 55,6 | 37 | 12,5 | |
| 501 | 81014 | 55,9 | 52,6 | 1,6 | |
| 400 | 2481 | 56 | 38,3 | 10 | |
| 449 | 8206 | 56 | 40 | 5,5 | |
| 506 | 1933 | 56 | 49 | 3,5 | |
| 432 | 8344 | 56,3 | 32 | 12 | |
| 500 | 1261 | 56,35 | 50,65 | 3,05 | |
| 446 | 8266 | 56,5 | 30 | 9 | |



FIGURES classified by diameter



| N | Figure Reference | D | d | H | Figure |
|-----|------------------|-------|------|------|--------|
| 420 | 1557 | 56,6 | 42,7 | 6,2 | |
| 500 | 1279 | 56,9 | 51 | 3,2 | |
| 240 | 2302 | 57 | 30 | 18 | |
| 414 | 2399 | 57 | 33 | 5,5 | |
| 433 | 2437 | 57 | 35,7 | 13 | |
| 417 | 868 | 57 | 36,5 | 9 | |
| 434 | 2462 | 57 | 38 | 13,5 | |
| 440 | 2041 | 57 | 42 | 11 | |
| 505 | 1478 | 57,15 | 38,5 | 8,9 | |
| 405 | 899 | 57,2 | 38,5 | 8,75 | |
| 417 | 862 | 57,3 | 39 | 8,5 | |
| 240 | 2390 | 57,4 | 18,9 | 12 | |
| 433 | 8177 | 57,5 | 32 | 8,5 | |
| 412 | 867 | 57,5 | 39 | 8,9 | |
| 412 | 867.70 | 57,5 | 39 | 8,9 | |
| 500 | W-147 | 57,8 | 51,8 | 3,2 | |
| 433 | G-24 | 58 | 34 | 8,7 | |
| 417 | 2324 | 58 | 34,5 | 10,5 | |

| N | Figure Reference | D | d | H | Figure |
|-----|------------------|------|------|------|--------|
| 501 | 8185 | 58 | 41 | 2,9 | |
| 501 | 8180 | 58 | 42 | 2,8 | |
| 406 | 1811 | 58 | 43,5 | 11,2 | |
| 500 | 691 | 58 | 52 | 3,05 | |
| 401 | 2052 | 58,3 | 41 | 14,3 | |
| 500 | 1291 | 58,3 | 52,3 | 3,2 | |
| 422 | 874 | 58,4 | 40,3 | 6,1 | |
| 500 | 1291.70 | 58,4 | 52,3 | 3,2 | |
| 500 | 548-A | 58,4 | 52,4 | 3,2 | |
| 500 | 548-A.70 | 58,4 | 52,4 | 3,2 | |
| 417 | 866 | 58,5 | 39 | 8,5 | |
| 409 | 1519 | 58,5 | 44,7 | 11,4 | |
| 448 | 8207 | 58,6 | 37,3 | 9,5 | |
| 415 | 1893 | 58,7 | 33,4 | 8,5 | |
| 416 | 1530 | 58,7 | 36,8 | 8,1 | |
| 433 | 2099 | 58,7 | 37,3 | 9,3 | |
| 400 | 1524 | 58,7 | 39,5 | 9,1 | |
| 401 | 2402 | 58,7 | 45 | 8,7 | |



FIGURES classified by diameter



| N | Figure Reference | D | d | H | Figure |
|-----|------------------|------|------|------|--------|
| 510 | 690 | 58,7 | 51,7 | 3,8 | |
| 445 | 8074 | 58,9 | 37 | 13,3 | |
| 439 | 2209 | 59 | 31,9 | 7,8 | |
| 418 | 2295 | 59 | 37,9 | 6,4 | |
| 422 | 2321 | 59 | 43,5 | 6 | |
| 500 | 1917 | 59,1 | 53,3 | 3,1 | |
| 500 | 1902 | 59,1 | 53,3 | 3,2 | |
| 418 | 2296 | 59,3 | 31,8 | 7,7 | |
| 426 | 1825 | 59,4 | 45,6 | 8,5 | |
| 400 | 2025 | 59,5 | 37,7 | 11,7 | |
| 420 | 1592 | 59,6 | 47,1 | 6,9 | |
| 443 | 2436 | 59,7 | 31,7 | 8 | |
| 434 | 2464 | 59,7 | 37,5 | 9,8 | |
| 414 | 2374 | 60 | 36 | 6 | |
| 438 | 8164 | 60 | 40 | 6,8 | |
| 400 | 1518 | 60 | 44,5 | 11,1 | |
| 501 | 81025 | 60 | 48 | 2,5 | |
| 500 | 549 | 60,1 | 54,1 | 3,2 | |

| N | Figure Reference | D | d | H | Figure |
|-----|------------------|-------|-------|------|--------|
| 500 | 549.70 | 60,1 | 54,1 | 3,2 | |
| 20 | W-88 | 60,25 | 48 | 6 | |
| 401 | 2053 | 60,4 | 42,9 | 13,8 | |
| 401 | 1829 | 60,4 | 44,3 | 11,4 | |
| 400 | 1898 | 60,45 | 43,95 | 14,2 | |
| 433 | 8176 | 60,8 | 38 | 8,5 | |
| 404 | 878 | 60,8 | 41,3 | 10 | |
| 431 | 870 | 61 | 36,7 | 4,7 | |
| 414 | 2306 | 61 | 39 | 7 | |
| 432 | 1806 | 61,2 | 36,5 | 10,6 | |
| 433 | 2482 | 61,3 | 40,5 | 10,4 | |
| 401 | 891 | 61,3 | 43 | 10,7 | |
| 500 | 549-B.70 | 61,3 | 55,3 | 3 | |
| 500 | 549-B | 61,3 | 55,3 | 3 | |
| 500 | 1290 | 61,3 | 55,3 | 3,2 | |
| 402 | 2278 | 61,4 | 39,8 | 8,3 | |
| 414 | 8213 | 61,5 | 36 | 9 | |
| 418 | 1556 | 61,5 | 43 | 5,8 | |



FIGURES classified by diameter



| N Figure Reference | D | d | H | Figure | |
|--------------------|--------------|------|------|--------|--|
| 400 | 1868 | 61,5 | 43 | 11 | |
| 430 | 1570 | 61,6 | 39 | 6 | |
| 400 | 1560 | 61,7 | 40,4 | 10 | |
| 400 | 8024 | 61,7 | 40,5 | 10 | |
| 400 | 8360 | 62 | 40,7 | 11,2 | |
| 400 | 8253 | 62 | 41,5 | 11 | |
| 401 | 2331 | 62 | 42 | 10 | |
| 404 | 2313 | 62 | 44,2 | 11,5 | |
| 510 | 1573 | 62 | 55 | 3,75 | |
| 426 | 1827 | 62,1 | 48,5 | 8,8 | |
| 413 | 869 | 62,2 | 40 | 8,7 | |
| 500 | 1922 | 62,2 | 55,6 | 3,5 | |
| 500 | 1907 | 62,4 | 56 | 3,2 | |
| 435 | 871 | 62,5 | 32,1 | 7,2 | |
| 429 | 8377 | 62,5 | 45,5 | 5,7 | |
| 414 | 2027 | 62,9 | 41 | 7,5 | |
| 24 | C-837 | 63 | 46,2 | 9,6 | |
| 433 | 2376 | 63,2 | 43 | 9,3 | |

| N Figure Reference | D | d | H | Figure | |
|--------------------|----------------|------|------|--------|--|
| 26 | 2165 | 63,2 | 48,5 | 8 | |
| 500 | 1281.70 | 63,2 | 57,2 | 3,2 | |
| 500 | 1281 | 63,2 | 57,2 | 3,2 | |
| 501 | 81024 | 63,3 | 43,3 | 2,3 | |
| 501 | 81013 | 63,3 | 43,3 | 2,3 | |
| 401 | 2069 | 63,4 | 45,7 | 13,85 | |
| 438 | 8200 | 63,4 | 49,5 | 9,2 | |
| 416 | 2276 | 63,5 | 36,5 | 8,2 | |
| 434 | 2076 | 63,5 | 41,5 | 13,7 | |
| 445 | 8169 | 63,6 | 42,5 | 12,5 | |
| 413 | 2370 | 63,7 | 38 | 10 | |
| 500 | 1274 | 63,7 | 57,6 | 3,3 | |
| 429 | 1571 | 63,8 | 44,3 | 6,5 | |
| 448 | 8132 | 64 | 43,5 | 10,8 | |
| 401 | 1861 | 64 | 44,3 | 12,5 | |
| 400 | 1840 | 64 | 45,1 | 11,2 | |
| 400 | 1875 | 64 | 46 | 11,6 | |
| 408 | 1845 | 64 | 48 | 10,3 | |



FIGURES classified by diameter



| N | Figure Reference | D | d | H | Figure |
|-----|------------------|-------|-------|------|--------|
| 400 | 1873 | 64,2 | 45,2 | 11,4 | |
| 432 | 8233 | 64,5 | 43 | 10,5 | |
| 500 | 1272 | 64,55 | 58,45 | 3,2 | |
| 433 | 2035 | 64,65 | 44,25 | 11,5 | |
| 433 | 1577 | 64,7 | 44,2 | 9,1 | |
| 429 | 2488 | 64,8 | 34 | 7 | |
| 400 | 1545 | 64,8 | 43,9 | 10,7 | |
| 400 | 2388 | 65 | 48,7 | 14 | |
| 20 | W-90 | 65,25 | 45 | 10 | |
| 401 | 1819 | 65,3 | 45,5 | 12 | |
| 510 | 1534 | 65,4 | 58,4 | 3,75 | |
| 416 | 2066 | 65,43 | 42,9 | 7,15 | |
| 432 | 2463 | 65,5 | 39,5 | 12,5 | |
| 404 | 8355 | 65,5 | 50,7 | 11,5 | |
| 500 | 1296.70 | 65,8 | 60 | 3,15 | |
| 500 | 1296 | 65,8 | 60 | 3,15 | |
| 446 | 8192 | 66 | 40 | 8,5 | |
| 429 | 2450 | 66 | 43 | 5 | |

| N | Figure Reference | D | d | H | Figure |
|-----|------------------|-------|-------|------|--------|
| 434 | 2461 | 66 | 45 | 14 | |
| 405 | 2060 | 66 | 47,5 | 9,8 | |
| 415 | 1823 | 66,2 | 36,5 | 8,8 | |
| 414 | 1802 | 66,5 | 39,9 | 6,8 | |
| 401 | 2365 | 66,5 | 47,6 | 14 | |
| 400 | 2259 | 66,5 | 49 | 13,5 | |
| 400 | 8301 | 66,5 | 50,5 | 13 | |
| 500 | 1286 | 66,5 | 60,5 | 4 | |
| 400 | 2493 | 66,6 | 50 | 11,9 | |
| 401 | 1822 | 66,8 | 49 | 14 | |
| 500 | 1265 | 66,8 | 61 | 3,15 | |
| 400 | 2317 | 67 | 5 | 11,5 | |
| 400 | 2244 | 67 | 46 | 10,5 | |
| 500 | 1269 | 67,55 | 61,35 | 3 | |
| 430 | 2020 | 67,7 | 41,7 | 6 | |
| 500 | 1915 | 68 | 62 | 3,2 | |
| 400 | 8208 | 68,5 | 46,3 | 11,5 | |
| 433 | 1575 | 68,5 | 46,7 | 9 | |



FIGURES classified by diameter



| N | Figure Reference | D | d | H | Figure |
|-----|------------------|-------|-------|-------|--------|
| 403 | 1865 | 68,6 | 38,25 | 7,35 | |
| 401 | G-54 | 68,9 | 47 | 11,55 | |
| 400 | 1512 | 68,9 | 47,3 | 11,7 | |
| 435 | 2063 | 69 | 38 | 7,2 | |
| 434 | 2395 | 69 | 50 | 14 | |
| 433 | 2204 | 69,4 | 41,6 | 9,6 | |
| 500 | 1292 | 69,6 | 63,6 | 3,2 | |
| 433 | 2097 | 69,65 | 48 | 10 | |
| 416 | 1805 | 69,8 | 39,7 | 8,2 | |
| 500 | 1288 | 69,8 | 63,7 | 4 | |
| 437 | 2298 | 70 | 34 | 8,5 | |
| 445 | 8134 | 70,5 | 50 | 10,5 | |
| 445 | 8195 | 70,5 | 50 | 11 | |
| 500 | 1918 | 70,5 | 64,25 | 3,2 | |
| 445 | 2432 | 70,7 | 50,6 | 9,2 | |
| 400 | 8238 | 71 | 50 | 11,5 | |
| 446 | 8219 | 71,5 | 45 | 8,5 | |
| 432 | 2460 | 71,5 | 45 | 12 | |

| N | Figure Reference | D | d | H | Figure |
|-----|------------------|-------|------|------|--------|
| 404 | 1855 | 71,6 | 51,5 | 10,8 | |
| 406 | 1551 | 72 | 35,6 | 8,6 | |
| 414 | 2238 | 72,1 | 42 | 7,3 | |
| 506 | 1924 | 72,1 | 64,1 | 4,1 | |
| 414 | 1889 | 72,3 | 44,5 | 7,5 | |
| 445 | 8325 | 72,5 | 50,5 | 8,6 | |
| 500 | 1936.70 | 72,5 | 66,5 | 3,2 | |
| 500 | 1936 | 72,5 | 66,5 | 3,2 | |
| 500 | 1913 | 72,6 | 66,6 | 3,1 | |
| 500 | 1273 | 72,75 | 66,6 | 3,7 | |
| 429 | 1552 | 72,8 | 46,2 | 5 | |
| 501 | W-87 | 73 | 66 | 3,5 | |
| 414 | 8133 | 73 | 73 | 7,5 | |
| 446 | 8107 | 73,5 | 44 | 9 | |
| 430 | 2262 | 73,5 | 45,5 | 6 | |
| 448 | 8222 | 73,7 | 50 | 9,7 | |
| 400 | 2089 | 74 | 53 | 11,3 | |
| 403 | G-22 | 74 | 53 | 11,5 | |




FIGURES classified by diameter




| N Figure Reference | D | d | H | Figure | |
|--------------------|----------------|-------|------|--------|--|
| 500 | 1264 | 74,4 | 68,6 | 3,15 | |
| 500 | 1264.70 | 74,4 | 68,6 | 3,15 | |
| 414 | 2274 | 74,55 | 47,6 | 4,9 | |
| 430 | 2206 | 75 | 36 | 8,9 | |
| 434 | 2261 | 75 | 48,2 | 12,2 | |
| 400 | 1505 | 75 | 53,4 | 11,7 | |
| 400 | 2343 | 75,4 | 57,5 | 14,5 | |
| 446 | 8193 | 75,5 | 46 | 9 | |
| 434 | G-27 | 75,5 | 53 | 13,5 | |
| 432 | 2096 | 76,6 | 55 | 9,8 | |
| 20 | C-738 | 76,6 | 65,2 | 9,8 | |
| 436 | 1535 | 77 | 60,1 | 16,5 | |
| 430 | 2375 | 78,7 | 40,2 | 7,5 | |
| 501 | 793 | 78,75 | 8 | 1,75 | |
| 501 | 793.70 | 78,75 | 8 | 1,75 | |
| 414 | 2268 | 81,1 | 52,1 | 6,4 | |
| 500 | 1940.70 | 81,8 | 75,5 | 3,2 | |
| 500 | 1940 | 81,8 | 75,5 | 3,2 | |

| N Figure Reference | D | d | H | Figure | |
|--------------------|----------------|-------|-------|--------|--|
| 434 | 2258 | 83,5 | 53,5 | 12 | |
| 505 | 8075 | 130,4 | 123 | 4,95 | |
| 505 | 8075.70 | 130,4 | 123 | 4,95 | |
| 505 | C-888 | 160,5 | 150,5 | 7,8 | |
| 40 | C-908 | 204 | 187 | 8 | |

GUIDE PIN



| | | |
|--|-----|------|
| 40.000 | | |
| D=8 | d=8 | H=63 |
| Guide Pin Bosch Type | | |
| CITROËN, NISSAN, OPEL, PEUGEOT, RENAULT, SUZUKI | | |



| | | |
|---|------|--------|
| 40.044 | | |
| D=7,5 | d=10 | H=72,5 |
| Guide Pin Akeb./Sum. Type | | |
| HONDA PRELUDE, QUINTET; MAZDA 323, 626 | | |



| | | |
|--|-----|------|
| 40.001 | | |
| D=8,5 | d=8 | H=60 |
| Guide Pin Lucas Type | | |
| ALFA ROMEO, VAG, BMW, PSA, FORD, LADA, MERCEDES, RENAULT, VOLVO | | |




| | | |
|----------------------------------|-----|------|
| 40.045 | | |
| D=8,5 | d=8 | H=60 |
| Guide Pin Kasko Type | | |
| HYUNDAI ACCENT, SOLARIS; KIA RIO | | |




| | | |
|---|-----|------|
| 40.046 | | |
| D=8,5 | d=8 | H=60 |
| Guide Pin Kasko Type | | |
| HYUNDAI i20, ix20, ACCENT, SOLARIS; KIA RIO, SORENTO | | |



| | | |
|---------------------------------|-----|--------|
| 40.002 | | |
| D=8,5 | d=8 | H=61,5 |
| Guide Pin Lucas Type | | |
| AUDI, CITROËN, HYUNDAI, PEUGEOT | | |




| | | |
|--|-----|--------|
| 40.047 | | |
| D=8 | d=8 | H=61,5 |
| Guide Pin Tokico Type | | |
| DAIHATSU COPEN, SIRION; SUZUKI ALTO, CARRY; NISSAN PIXO | | |




| | | |
|--|-----|--------|
| 40.048 | | |
| D=8 | d=8 | H=62,5 |
| Guide Pin | | |
| SUBARU FORESTER, IMPREZA, LEGACY, OUTBACK | | |



| | | |
|--|-----|--------|
| 40.049 | | |
| D=8 | d=8 | H=62,5 |
| Guide Pin Akebono Type | | |
| SUBARU FORESTER, IMPREZA, LEGACY, OUTBACK | | |



| | | |
|---|-----|------|
| 40.050 | | |
| D=8,5 | d=8 | H=66 |
| Guide Pin Bosch Type | | |
| OPEL AGILA; SMART FORTWO, ROADSTER; TOYOTA YARIS; SUZUKI WAGON | | |



| | | |
|---|-----|------|
| 40.051 | | |
| D=8,5 | d=8 | H=66 |
| Guide Pin Bosch Type | | |
| OPEL AGILA; SMART FORTWO, ROADSTER; TOYOTA YARIS; SUZUKI WAGON | | |




| | | |
|--|-----|--------|
| 40.052 | | |
| D=8,4 | d=8 | H=66,5 |
| Guide Pin Lucas Type | | |
| ALFA ROMEO, VAG, BMW, PSA, FORD, LADA, MERCEDES, RENAULT, VOLVO | | |

GUIDE PIN



| | | |
|---|-----|--------|
| 40.053 | | |
| D=8 | d=8 | H=66,5 |
| Guide Pin Akebono Type | | |
| NISSAN CHERRY, SUNNY, PULSAR, 100NX; SUZUKI VITARA | | |



| | | |
|---|-----|--------|
| 40.148 | | |
| D=7,8 | d=8 | H=66,6 |
| Guide Pin Nissan Type | | |
| NISSAN-DATSUN BLUEBIRD, D50, LIVINA, MARCH, SUNNY, PULSAR, TIIDA | | |




| | | |
|-------------------------------|------|--------|
| 40.054 | | |
| D=8,5 | d=10 | H=67,5 |
| Guide Pin Girling Type | | |
| FORD SIERRA; SKODA FAVORIT | | |



| | | |
|---|-----|------|
| 40.003 | | |
| D=8,5 | d=8 | H=71 |
| Guide Pin Lucas Type | | |
| ALFA ROMEO, BMW, MERCEDES, PEUGEOT, VAG, SAAB, FIAT, VOLVO | | |




| | | |
|--|-----|------|
| 40.004 | | |
| D=8,5 | d=8 | H=75 |
| Guide Pin Lucas Type | | |
| ALFA, HONDA, FIAT, FORD, MITSUBISHI, VAG, VOLVO, OPEL, PSA, RENAULT | | |



| | | |
|--|-----|------|
| 40.129 | | |
| D=8,5 | d=8 | H=75 |
| Guide Pin Lucas Type | | |
| ALFA, HONDA, FIAT, FORD, MITSUBISHI, VAG, VOLVO, OPEL, PSA, RENAULT | | |




| | | |
|-------------------------------------|------|------|
| 40.042 | | |
| D=8,5 | d=12 | H=81 |
| Guide Pin Akebono Type | | |
| NISSAN CUBE, QUASQAI, TIIDA, XTRAIL | | |



| | | |
|-------------------------------------|------|--------|
| 40.043 | | |
| D=8 | d=12 | H=83,5 |
| Guide Pin Akebono Type | | |
| NISSAN CUBE, QUASQAI, TIIDA, XTRAIL | | |



| | | |
|--------------------------------|------|------|
| 40.005 | | |
| D=8 | d=12 | H=87 |
| Guide Pin Akebono Type | | |
| ISUZU, MAZDA, MITSUBISHI, OPEL | | |



| | | |
|--------------------------------|------|------|
| 40.006 | | |
| D=8 | d=12 | H=87 |
| Guide Pin Akebono Type | | |
| ISUZU, MAZDA, MITSUBISHI, OPEL | | |



| | | |
|-----------------------------|-----|------|
| 40.144 | | |
| D=9 | d=8 | H=60 |
| Guide Pin Lucas Type | | |
| NISSAN PRIMERA, ALMERA TINO | | |



| | | |
|--|-------|------|
| 40.055 | | |
| D=10 | d=8,5 | H=65 |
| Guide Pin Lucas Type | | |
| ALFA ROMEO 147; CITROËN C5, C6, JUMPY; PEUGEOT 407, 607, EXPERT | | |

GUIDE PIN




| | | |
|--|-----|------|
| 40.056 | | |
| D=9 | d=8 | H=65 |
| Guide Pin Aisin/AkebType | | |
| TOYOTA CELICA, IQ, MR2, PRIUS, YARIS, AVENSIS, PREVIA, RAV-4 | | |



| | | |
|------------------------|-----|--------|
| 40.132 | | |
| D=9,8 | d=8 | H=66,5 |
| Guide Pin ChryslerType | | |
| CHRYSLER 300C | | |



| | | |
|--|-----|------|
| 40.007 | | |
| D=10 | d=8 | H=67 |
| Guide Pin Kasko Type | | |
| KIA RIO, CARENS, CEED; MAZDA CX-7, CX-9; HYUNDAI i30 | | |



| | | |
|--|-----|------|
| 40.008 | | |
| D=10 | d=8 | H=67 |
| Guide Pin Kasko Type | | |
| KIA RIO, CARENS, CEED; MAZDA CX-7, CX-9; HYUNDAI i30 | | |




| | | |
|--|-------|--------|
| 40.057 | | |
| D=9,9 | d=9,9 | H=68,5 |
| Guide Pin Mando Type | | |
| HYUNDAI ACCENT, ELANTRA, GETZ, LANTRA, PONY, EXCEL, SCOUPE | | |



| | | |
|-------------------------|-----|------|
| 40.058 | | |
| D=9,8 | d=8 | H=71 |
| Guide Pin Mando Type | | |
| HYUNDAI, KIA, CHEVROLET | | |




| | | |
|---|-----|------|
| 40.009 | | |
| D=9,5 | d=8 | H=72 |
| Guide Pin Akebono Type | | |
| HONDA, TOYOTA, INFINITI, MITSUBISHI, NISSAN, SUBARU | | |




| | | |
|---|-----|--------|
| 40.010 | | |
| D=10 | d=8 | H=72,5 |
| Guide Pin Akebono Type | | |
| HONDA, TOYOTA, INFINITI, MITSUBISHI, NISSAN, SUBARU | | |



| | | |
|-------------------------------|-----|------|
| 40.059 | | |
| D=9,9 | d=8 | H=71 |
| Guide Pin Mando Type | | |
| CHEVROLET, HYUNDAI, KIA, OPEL | | |



| | | |
|-------------------------|------|--------|
| 40.060 | | |
| D=9,2 | d=14 | H=79,5 |
| Guide Pin Sumitomo Type | | |
| TOYOTA LAND CRUISER | | |



| | | |
|-------------------------------------|------|------|
| 40.011 | | |
| D=10 | d=12 | H=87 |
| Guide Pin Akebono Type | | |
| MAZDA 6; MITSUBISHI MONTERO, PAJERO | | |




| | | |
|-------------------------------------|------|------|
| 40.012 | | |
| D=9,5 | d=12 | H=90 |
| Guide Pin Akebono Type | | |
| MAZDA 6; MITSUBISHI MONTERO, PAJERO | | |


GUIDE PIN




| | | |
|---|-----|------|
| 40.161 | | |
| D=10 | d=8 | H=57 |
| Guide Pin Sum Type | | |
| CHEVROLET AVEO, KALOS, LACETTI, NUBIRA | | |




| | | |
|---|-----|------|
| 40.013 | | |
| D=10 | d=8 | H=59 |
| Guide Pin Luc/Mando/Tok/Akeb Type | | |
| CHEVROLET, HYUNDAI, KIA, HONDA, MERCEDES, MITSUBISHI, NISSAN | | |



| | | |
|---|-----|--------|
| 40.014 | | |
| D=10 | d=8 | H=59,5 |
| Guide Pin Luc/Mando/Tok/Akeb Type | | |
| CHEVROLET, HYUNDAI, KIA, MERCEDES, NISSAN, OPEL, TOYOTA, HONDA | | |




| | | |
|--|-----|--------|
| 40.015 | | |
| D=10 | d=8 | H=59,5 |
| Guide Pin Ake/Dac/Tok/Mando Type | | |
| HONDA, ROVER, CHEVROLET, DAEWO, SUZUKI, KIA | | |



| | | |
|----------------------|-----|------|
| 40.149 | | |
| D=10 | d=8 | H=59 |
| Guide Pin Kasco Type | | |
| HYUNDAI H-1 | | |



| | | |
|----------------------|-----|------|
| 40.142 | | |
| D=10 | d=8 | H=59 |
| Guide Pin Kasco Type | | |
| HYUNDAI H-1 | | |




| | | |
|--|-----|------|
| 40.150 | | |
| D=10 | d=8 | H=60 |
| Guide Pin Nissin Type | | |
| HONDA ACCORD, CIVIC, CR-V, S2000, INTEGRA, LEGEND | | |



| | | |
|--|-----|------|
| 40.151 | | |
| D=10 | d=8 | H=60 |
| Guide Pin Nissin Type | | |
| HONDA ACCORD, CIVIC, CR-V, S2000, INTEGRA, LEGEND | | |



| | | |
|----------------------------------|-----|------|
| 40.016 | | |
| D=10 | d=8 | H=61 |
| Guide Pin Trw/Lucas Type | | |
| CITROËN, DACIA, RENAULT, PEUGEOT | | |



| | | |
|---|-----|------|
| 40.127 | | |
| D=10 | d=8 | H=64 |
| Guide Pin Ate Type | | |
| CHEVROLET CRUZE, ORLANDO, TRAX: OPEL ASTRA, CASCADA, MOKKA, ZAFIRA | | |




| | | |
|---|-----|------|
| 40.128 | | |
| D=10 | d=8 | H=64 |
| Guide Pin Ate Type | | |
| CHEVROLET CRUZE, ORLANDO, TRAX: OPEL ASTRA, CASCADA, MOKKA, ZAFIRA | | |




| | | |
|-----------------------|-----|--------|
| 40.152 | | |
| D=10 | d=8 | H=65,4 |
| Guide Pin Tokico Type | | |
| MITSUBISHI, SUBARU | | |

GUIDE PIN




| | | |
|---|-----|------|
| 40.160 | | |
| D=10 | d=8 | H=65 |
| Guide Pin Tokico Type | | |
| SUBARU LEGACY, IMPREZA, FORESTER, EXIGA | | |



| | | |
|-------------------------------|------|------|
| 40.061 | | |
| D=10 | d=10 | H=66 |
| Guide Pin Bendix type | | |
| VOLVO 740, 760, 780, 940, 960 | | |



| | | |
|---|-----|------|
| 40.017 | | |
| D=10 | d=8 | H=70 |
| Guide Pin Bosch/Kask Type | | |
| CITROËN, OPEL, PEUGEOT, SUZUKI, TOYOTA, KIA | | |



| | | |
|---|-----|------|
| 40.018 | | |
| D=10 | d=8 | H=69 |
| Guide Pin Bosch/Kask Type | | |
| CITROËN, OPEL, PEUGEOT, SUZUKI, TOYOTA, KIA | | |




| | | |
|---------------------------------------|-----|------|
| 40.133 | | |
| D=10 | d=8 | H=69 |
| Guide Pin Niss/Trw/Tokic Type | | |
| DAIHATSU, FORD, MAZDA, NISSAN, SUBARU | | |



| | | |
|---------------------------------------|-----|------|
| 40.134 | | |
| D=10 | d=8 | H=69 |
| Guide Pin Nissan Type | | |
| DAIHATSU, FORD, MAZDA, NISSAN, SUBARU | | |




| | | |
|---|-----|------|
| 40.019 | | |
| D=11 | d=8 | H=70 |
| Guide Pin Sumit/Akeb Type | | |
| TOYOTA AVENSIS, CAMRY, CARINA, CELICA, COROLLA, MR2, PIC-NIC, RAV-4 | | |



| | | |
|---|-----|------|
| 40.020 | | |
| D=11 | d=8 | H=70 |
| Guide Pin Sumit/Akeb Type | | |
| TOYOTA AVENSIS, CAMRY, CARINA, CELICA, COROLLA, MR2, PIC-NIC, RAV-4 | | |




| | | |
|---|-----|------|
| 40.062 | | |
| D=10 | d=8 | H=70 |
| Guide Pin Nih/Sumit Type | | |
| HONDA CIVIC, CRX, INTEGRA, JAZZ, LOGO; SUZUKI LIANA | | |



| | | |
|---------------------------|-----|--------|
| 40.158 | | |
| D=9,9 | d=8 | H=70,5 |
| Guide Pin Lucas Type | | |
| CITROËN, PEUGEOT, RENAULT | | |




| | | |
|-------------------------|-----|------|
| 40.159 | | |
| D=10 | d=8 | H=70 |
| Guide Pin Ake Type | | |
| NISSAN QASHQAI, X-TRAIL | | |




| | | |
|----------------------|-----|--------|
| 40.135 | | |
| D=10 | d=8 | H=71,5 |
| Guide Pin Bosch Type | | |
| CHEVROLET, OPEL | | |

GUIDE PIN




| | | |
|----------------------|-----|--------|
| 40.136 | | |
| D=9,7 | d=8 | H=71,3 |
| Guide Pin Bosch Type | | |
| CHEVROLET, OPEL | | |




| | | |
|--|-----|--------|
| 40.063 | | |
| D=10 | d=8 | H=72,5 |
| Guide Pin Sumit/Advi Type | | |
| MAZDA 323; MITSUBISHI MONTERO, PAJERO; TOYOTA RAV-4 | | |



| | | |
|--|-----|--------|
| 40.064 | | |
| D=10 | d=8 | H=72,5 |
| Guide Pin Sumit/Advi Type | | |
| MAZDA 323; MITSUBISHI MONTERO, PAJERO; TOYOTA RAV-4 | | |




| | | |
|--------------------------|-----|------|
| 40.065 | | |
| D=10 | d=8 | H=72 |
| Guide Pin Lucas Type | | |
| HONDA, LAND ROVER, ROVER | | |




| | | |
|-------------------------|-----|------|
| 40.066 | | |
| D=10 | d=8 | H=72 |
| HONDA, CHRYSLER, TOYOTA | | |




| | | |
|---------------------------|-----|------|
| 40.156 | | |
| D=10 | d=8 | H=72 |
| Guide Bendix Lucas Type | | |
| CITROËN, PEUGEOT, RENAULT | | |




| | | |
|---|-----|--------|
| 40.021 | | |
| D=10 | d=8 | H=73,5 |
| Guide Pin Tokico Type | | |
| SUBARU TREZIA; TOYOTA AURIS, COROLLA, IQ, URBAN CRUISER, YARIS | | |




| | | |
|---|-----|------|
| 40.067 | | |
| D=10 | d=8 | H=75 |
| Guide Pin Lucas/Trw/Kask Type | | |
| ALFA, CITROEN, PEUGEOT, AUDI, FIAT, OPEL, VW, ALFA ROMEO | | |




| | | |
|--|-----|--------|
| 40.022 | | |
| D=10 | d=8 | H=76,5 |
| Guide Pin Bosch Type | | |
| ALFA ROMEO, CITROËN, FIAT, FORD, PEUGEOT, TOYOTA,VAG,RENAULT,OPEL | | |



| | | |
|--|-----|--------|
| 40.023 | | |
| D=10 | d=8 | H=76,5 |
| Guide Pin Bosch Type | | |
| ALFA ROMEO, CITROËN, FIAT, FORD, PEUGEOT, TOYOTA,VAG,RENAULT,OPEL | | |




| | | |
|----------------------|-----|------|
| 40.068 | | |
| D=10 | d=8 | H=77 |
| Guide Pin Bosch Type | | |
| FORD TRANSIT | | |




| | | |
|----------------------|-----|------|
| 40.126 | | |
| D=10 | d=8 | H=77 |
| Guide Pin Bosch Type | | |
| FORD TRANSIT | | |

GUIDE PIN




| | | |
|---|-----|------|
| 40.069 | | |
| D=10 | d=8 | H=77 |
| Guide Pin Lucas Type | | |
| VOLVO 740, 760, 780, 940, 960, S90, V90 | | |




| | | |
|------------------------|-----|--------|
| 40.071 | | |
| D=10 | d=8 | H=78,5 |
| Guide Pin Akebono Type | | |
| MAZDA 6 | | |



| | | |
|---|-----|--------|
| 40.072 | | |
| D=10 | d=8 | H=79,5 |
| Guide Pin Lucas Type | | |
| MERCEDES SPRINTER; AUDI TT; SKODA OCTAVIA, SUPERB | | |




| | | |
|------------------------------|------|------|
| 40.073 | | |
| D=10 | d=12 | H=81 |
| Guide Pin Akebono Type | | |
| CITROEN, MITSUBISHI, PEUGEOT | | |



| | | |
|------------------------------|------|------|
| 40.074 | | |
| D=10 | d=12 | H=83 |
| Guide Pin Lucas Type | | |
| CITROEN, MITSUBISHI, PEUGEOT | | |



| | | |
|---|------|--------|
| 40.075 | | |
| D=10 | d=10 | H=84,5 |
| Guide Pin Lucas Type | | |
| VOLKSWAGEN CARAVELLE, MULTIVAN, TRANSPORTER | | |




| | | |
|-------------------------|------|------|
| 40.076 | | |
| D=10,8 | d=10 | H=85 |
| Guide Pin Sumitomo Type | | |
| HONDA FR-V, STREAM | | |




| | | |
|------------------------|------|------|
| 40.077 | | |
| D=10 | d=14 | H=90 |
| Guide Pin Akebono Type | | |
| HYUNDAI, MITSUBISHI | | |



| | | |
|---|------|--------|
| 40.078 | | |
| D=10 | d=10 | H=92,5 |
| Guide Pin Lucas Type | | |
| VOLKSWAGEN CARAVELLE, MULTIVAN, TRANSPORTER | | |



| | | |
|------------------------|------|------|
| 40.079 | | |
| D=10 | d=14 | H=92 |
| Guide Pin Akebono Type | | |
| HYUNDAI, MITSUBISHI | | |




| | | |
|---|-----|------|
| 40.080 | | |
| D=11 | d=8 | H=62 |
| Guide Pin Lucas Type | | |
| PEUGEOT 205, 309, RENAULT 11, 18, 19, 20, 21, 25, CLIO, ESPACE, | | |




| | | |
|---|-----|------|
| 40.157 | | |
| D=11 | d=8 | H=66 |
| Guide Pin Nissan Type | | |
| NISSAN LEAF, MURANO, NAVARA, PATHFINDER | | |

GUIDE PIN




| | | |
|---|------|------|
| 40.081 | | |
| D=11,6 | d=10 | H=82 |
| Guide Pin Bosch Type | | |
| FORD TRANSIT, MERCEDES SPRINTER, PEUGEOT 807 | | |




| | | |
|-------------------------------------|------|------|
| 40.155 | | |
| D=11 | d=10 | H=85 |
| Guide Pin Nissin Type | | |
| HONDA ACCORD, INTEGRA, NSX, PRELUDE | | |




| | | |
|---|------|------|
| 40.154 | | |
| D=11 | d=10 | H=85 |
| Guide Pin Nissin Type | | |
| HONDA ACCORD, HR-V, INTEGRA, LEGEND, NSX, PRELUDE, VIGOR | | |




| | | |
|--|------|------|
| 40.082 | | |
| D=11 | d=15 | H=90 |
| Guide Pin Akebono Type | | |
| CITROEN, ISUZU, MITSUBISHI, OPEL, PEUGEOT | | |



| | | |
|--|------|--------|
| 40.083 | | |
| D=10,7 | d=15 | H=90,5 |
| Guide Pin Akebono type | | |
| CITROEN, ISUZU, MITSUBISHI, OPEL, PEUGEOT | | |




| | | |
|----------------------------|----|------|
| 40.153 | | |
| D=11 | d= | H=90 |
| Guide Pin Sum Type | | |
| MITSUBISHI GRANDIS, PAJERO | | |




| | | |
|-------------------------|------|------|
| 40.137 | | |
| D=10,9 | d=14 | H=92 |
| Guide Pin Sumitomo Type | | |
| KIA RIO, CARENS, CLARUS | | |



| | | |
|-------------------------|------|------|
| 40.138 | | |
| D=10,8 | d=14 | H=92 |
| Guide Pin Sumitomo Type | | |
| KIA RIO, CARENS, CLARUS | | |



| | | |
|--------------------|-----|------|
| 40.024 | | |
| D=12,5 | d=8 | H=35 |
| Guide Pin Ate Type | | |
| SEAT, VOLKSWAGEN | | |



| | | |
|----------------------------|-----|------|
| 40.025 | | |
| D=12,5 | d=8 | H=45 |
| Guide Pin Ate/Bosch Type | | |
| SEAT, VOLKSWAGEN, MERCEDES | | |




| | | |
|--|-------|------|
| 40.084 | | |
| D=13 | d=8,5 | H=51 |
| Guide Pin Brembo Type | | |
| RENAULT 21, NEVADA, ESPACE, LAGUNA, SAFRANE | | |




| | | |
|-----------------------|-----|--------|
| 40.026 | | |
| D=12 | d=9 | H=53,5 |
| Guide Pin Nbk Type | | |
| DAIHATSU, FORD, MAZDA | | |

GUIDE PIN




| | | |
|---|-----|------|
| 40.027 | | |
| D=12 | d=9 | H=54 |
| Guide Pin Ate Type | | |
| ALFA ROMEO, AUDI, BMW, CITROËN, FIAT, FORD, MAZDA, MERCEDES, MINI | | |



| | | |
|---------------------------------|------|------|
| 40.085 | | |
| D=12,7 | d=10 | H=56 |
| Guide Pin K/H Type | | |
| VOLKSWAGEN GOLF, JETTA SCIROCCO | | |




| | | |
|---|-----|------|
| 40.086 | | |
| D=12 | d=8 | H=58 |
| Guide Pin Tokic Type | | |
| NISSAN BLUEBIRD, LAUREL, PICK-UP, PRAIRE, SERENA, SILVIA, VANETTE | | |




| | | |
|----------------------------------|-----|------|
| 40.087 | | |
| D=12 | d=8 | H=60 |
| Guide Pin Lucas Type | | |
| PEUGEOT, RENAULT, DACIA, CITROEN | | |




| | | |
|---------------------------------|------|------|
| 40.088 | | |
| D=12,7 | d=10 | H=63 |
| Guide Pin K/H Type | | |
| VOLKSWAGEN GOLF, JETTA, SIROCCO | | |



| | | |
|----------------------------|-----|--------|
| 40.089 | | |
| D=12 | d=9 | H=66,5 |
| Guide Pin Ate Type | | |
| BMW, FORD, SEAT, VW, VOLVO | | |




| | | |
|---|------|------|
| 40.090 | | |
| D=12 | d=10 | H=70 |
| Guide Pin Bosch Type | | |
| CITROEN XSARA; PEUGEOT 206, 306; SUZUKI SWIFT | | |




| | | |
|----------------------|------|------|
| 40.091 | | |
| D=12 | d=10 | H=75 |
| Guide Pin Kasko Type | | |
| HYUNDAI ix55 | | |




| | | |
|----------------------|------|------|
| 40.092 | | |
| D=12 | d=10 | H=75 |
| Guide Pin Kasko Type | | |
| HYUNDAI ix55 | | |



| | | |
|---|------|------|
| 40.028 | | |
| D=12 | d=10 | H=78 |
| Guide Pin Bosch Type | | |
| CITROËN, NISSAN, PEUGEOT, OPEL, RENAULT | | |



| | | |
|--|------|------|
| 40.093 | | |
| D=12,2 | d=10 | H=82 |
| Guide Pin Bosch Type | | |
| FORD TRANSIT; MERCEDES SPRINTER; PEUGEOT 807 | | |



| | | |
|-------------------------------------|-------|--------|
| 40.029 | | |
| D=14 | d=8,5 | H=45,5 |
| 10 | | |
| DAIHATSU, MAZDA, MITSUBISHI, TOYOTA | | |

GUIDE PIN



| | | |
|---|-------|------|
| 40.094 | | |
| D=13,9 | d=8,5 | H=45 |
| Guide Pin Ate Type | | |
| CITROEN AX, SAXO; PEUGEOT 106, 406, 605, 607; MERCEDES VITO | | |



| | | |
|-------------------------|-------|------|
| 40.095 | | |
| D=13,3 | d=8,4 | H=49 |
| Guide Pin Sumitomo Type | | |
| MITSUBISHI COLT, LANCER | | |




| | | |
|---|-------|------|
| 40.030 | | |
| D=13,5 | d=8,5 | H=52 |
| Guide Pin Akebono Type | | |
| DAIHATSU, MAZDA, MITSUBISHI, TOYOTA, HONDA, HYUNDAI, SUBARU | | |



| | | |
|---|-------|------|
| 40.139 | | |
| D=13 | d=8,5 | H=55 |
| Guide Pin Akebono Type | | |
| DAIHATSU, MAZDA, MITSUBISHI, TOYOTA, HONDA, HYUNDAI, SUBARU | | |



| | | |
|---|-------|------|
| 40.096 | | |
| D=13 | d=8,4 | H=61 |
| Guide Pin Aisin Type | | |
| SUZUKI BALENO, JIMNY, SJ410, SJ 413, SAMURAI, SWIFT | | |




| | | |
|-----------------------|-----|------|
| 40.031 | | |
| D=14 | d=9 | H=65 |
| Guide Pin Nbk Type | | |
| DAIHATSU, FORD, MAZDA | | |




| | | |
|---------------------------------|------|--------|
| 40.032 | | |
| D=14 | d=10 | H=52,5 |
| Guide Pin Sumitomo/Akebono Type | | |
| FORD, MAZDA | | |



| | | |
|--|-------|------|
| 40.097 | | |
| D=14,3 | d=8,5 | H=52 |
| Guide Pin Mando Type | | |
| HYUNDAI ACCENT, ELANTRA, GETZ, LANTRA, PONY, EXCEL, SCOUPE | | |



| | | |
|---|-------|------|
| 40.140 | | |
| D=14,1 | d=8,3 | H=54 |
| Guide Pin Trw/KH/Kask Type | | |
| AUDI, CHRYSLER, FORD, JEEP, KIA, MERCEDES | | |



| | | |
|----------------------|------|------|
| 40.098 | | |
| D=14 | d=10 | H=59 |
| Guide Pin Aisin Type | | |
| SUZUKI WAGON | | |



| | | |
|------------------------|------|------|
| 40.147 | | |
| D=14 | d=10 | H=64 |
| Guide Pin Nissan Type | | |
| NISSAN CABSTAR, PATROL | | |



| | | |
|------------------------|------|------|
| 40.146 | | |
| D=14 | d=10 | H=64 |
| Guide Pin Nissan Type | | |
| NISSAN CABSTAR, PATROL | | |

GUIDE PIN

| | | |
|--|------|------|
| | | |
| 40.099 | | |
| D=14 | d=10 | H=68 |
| Guide Pin Shin/Nbk/Akeb Type | | |
| MAZDA 6, 323, 626, MX6, PREMACY, XEDO; FORD PROBE | | |

| | | |
|-----------------------|------|------|
| | | |
| 40.143 | | |
| D=14 | d=10 | H=77 |
| Guide Pin Nissan Type | | |
| NISSAN PATROL GR II | | |

| | | |
|---|--------|------|
| | | |
| 40.100 | | |
| D=15,6 | d=10,7 | H=46 |
| Guide Pin Akebono Type | | |
| ISUZU CAMPO, TROOPER; OPEL CAMPO, FRONTERA | | |

| | | |
|------------------------------|------|------|
| | | |
| 40.101 | | |
| D=15 | d=11 | H=52 |
| Guide Pin Akebono Type | | |
| MAZDA, DAIHATSU, FORD, HONDA | | |

| | | |
|-------------------------------|-----|------|
| | | |
| 40.102 | | |
| D=15 | d=9 | H=57 |
| Guide Pin Akebono Type | | |
| TOYOTA CAMRY, CARINA, COROLLA | | |

| | | |
|----------------------|--------|------|
| | | |
| 40.130 | | |
| D=15,6 | d=10,2 | H=59 |
| Guide Pin Kasko Type | | |
| KIA PICANTO | | |

| | | |
|-------------------------------|-----|------|
| | | |
| 40.103 | | |
| D=15 | d=9 | H=77 |
| Guide Pin Akebono Type | | |
| TOYOTA CAMRY, CARINA, COROLLA | | |

| | | |
|-----------------------------------|------|------|
| | | |
| 40.033 | | |
| D=16 | d=10 | H=86 |
| Guide Pin Bendix Type | | |
| FORD SCORT, FIESTA, MONDEO, ORION | | |


| | | |
|-------------------------------|--------|------|
| | | |
| 40.104 | | |
| D=16 | d=10,5 | H=46 |
| Guide Pin Sumitomo Type | | |
| DAIHATSU, MAZDA , KIA, TOYOTA | | |

| | | |
|-----------------------|------|--------|
| | | |
| 40.034 | | |
| D=16 | d=10 | H=49,5 |
| Guide Pin Bendix Type | | |
| FORD TRANSIT | | |

| | | |
|--|------|------|
| | | |
| 40.105 | | |
| D=16 | d=10 | H=50 |
| Guide Pin Tokico Type | | |
| NISSAN MICRA; TOYOTA COROLLA, DYNA, HIACE, HILUX; VW TARO | | |

| | | |
|---------------------|------|------|
| | | |
| 40.145 | | |
| D=16 | d=10 | H=55 |
| Guide Pin Ate Type | | |
| AUDI, BMW, MERCEDES | | |

GUIDE PIN




| | | |
|--|------|--------|
| 40.106 | | |
| D=16 | d=11 | H=57,5 |
| Guide Pin Bosch Type | | |
| NISSAN, OPEL, RENAULT, MERCEDES, VOLKSWAGEN, KIA | | |



| | | |
|----------------------|--------|------|
| 40.131 | | |
| D=16 | d=10,2 | H=59 |
| Guide Pin Kasko Type | | |
| KIA PICANTO | | |



| | | |
|------------------------------|--------|--------|
| 40.107 | | |
| D=16 | d=10,5 | H=61,5 |
| Guide Pin Sumitomo Type | | |
| DAIHATSU, KIA, MAZDA, TOYOTA | | |




| | | |
|------------------------------|--------|--------|
| 40.035 | | |
| D=16 | d=10,5 | H=65,5 |
| Guide Pin Bendix Type | | |
| FORD COUGAR, MONDEO, TRANSIT | | |



| | | |
|-------------------------|------|------|
| 40.108 | | |
| D=16 | d=10 | H=68 |
| Guide Pin Sumitomo Type | | |
| MAZDA MX3, 323 | | |



| | | |
|----------------------------|--------|--------|
| 40.109 | | |
| D=16 | d=10,5 | H=68,5 |
| Guide Pin Bendix Type | | |
| VOLVO 740-760-780, 940-960 | | |



| | | |
|-----------------------|------|------|
| 40.110 | | |
| D=16 | d=10 | H=73 |
| Guide Pin Bendix Type | | |
| FORD TRANSIT | | |



| | | |
|-------------------------|--------|--------|
| 40.111 | | |
| D=16 | d=10,5 | H=77,5 |
| Guide Pin Sumitomo Type | | |
| MAZDA DEMIO, 323, MX3 | | |




| | | |
|---|------|--------|
| 40.112 | | |
| D=16 | d=11 | H=80,5 |
| Guide Pin Aisin Type | | |
| TOYOTA COROLLA, DYNA, HIACE, HILUX; VW TARO | | |



| | | |
|---|--------|--------|
| 40.113 | | |
| D=16 | d=10,2 | H=82,5 |
| Guide Pin Bosch Type | | |
| MERCEDES V-CLASS, VIANO, VITO, G-CLASS, SPRINTER; VOLKSWAGEN LT | | |




| | | |
|--------------------------------|------|------|
| 40.114 | | |
| D=16 | d=10 | H=83 |
| Guide Pin Bendix Type | | |
| CITROEN, FIAT, LANCIA, PEUGEOT | | |



| | | |
|-----------------------|------|------|
| 40.115 | | |
| D=16 | d=10 | H=88 |
| Guide Pin Bendix Type | | |
| FORD TRANSIT | | |

GUIDE PIN



| | | |
|-----------------------|-------|------|
| 40.036 | | |
| D=18 | d=8,5 | H=58 |
| Guide Pin Brembo Type | | |
| IVECO DAILY | | |



| | | |
|---|-------|------|
| 40.037 | | |
| D=18 | d=8,5 | H=63 |
| Guide Pin Brembo Type | | |
| CITROËN, FIAT, MERCEDES, NISSAN, IVECO, PEUGEOT, RENAULT, VW | | |




| | | |
|---|-------|------|
| 40.038 | | |
| D=18 | d=8,5 | H=66 |
| Guide Pin Brembo Type | | |
| IVECO, MERCEDES, NISSAN, RENAULT, VOLKSWAGEN | | |




| | | |
|---|-------|------|
| 40.039 | | |
| D=18 | d=8,5 | H=66 |
| Guide Pin Brembo Type | | |
| IVECO, MERCEDES, NISSAN, RENAULT, VOLKSWAGEN | | |



| | | |
|--|------|------|
| 40.116 | | |
| D=18 | d=10 | H=80 |
| Guide Pin Brembo Type | | |
| NISSAN NV400; OPEL MOVANO; RENAULT MASTER | | |



| | | |
|---|--------|--------|
| 40.117 | | |
| D=20 | d=12,5 | H=46,5 |
| Guide Pin Bendix Type | | |
| RENAULT CLIO, EXPRESS, R19, CHAMADE, SUPER 5, TWINGO | | |




| | | |
|---|--------|------|
| 40.040 | | |
| D=20 | d=12,5 | H=50 |
| Guide Pin Bosch Type | | |
| RENAULT CLIO, EXPRESS, R19, CHAMADE, SUPER 5, THALIA, TWINGO | | |




| | | |
|---------------------------|--------|--------|
| 40.041 | | |
| D=20 | d=12,5 | H=62,5 |
| Guide Pin Bendix Type | | |
| CITROËN, PEUGEOT, RENAULT | | |




| | | |
|---|------|------|
| 40.118 | | |
| D=20 | d=11 | H=67 |
| Guide Pin Bosch Type | | |
| NISSAN INTERSTART; OPEL MOVANO; RENAULT MASTER | | |



| | | |
|--|------|------|
| 40.119 | | |
| D=20 | d=12 | H=69 |
| Guide Pin Bendix Type | | |
| CITROËN EVASION, JUMPY; FIAT SCUDO; LANCIA ULYSSE; PEUGEOT EXPORT | | |



| | | |
|-----------------------|--------|--------|
| 40.120 | | |
| D=20 | d=12,5 | H=73,5 |
| Guide Pin Bendix Type | | |
| PEUGEOT 306, 405 | | |



| | | |
|-----------------------|--------|------|
| 40.121 | | |
| D=22 | d=10,5 | H=69 |
| Guide Pin Brembo Type | | |
| RENAULT R21 | | |

GUIDE PIN

| | | |
|---|--------|------|
|  | | |
| 40.122 | | |
| D=22 | d=12,5 | H=69 |
| Guide Pin Brembo Type | | |
| RENAULT ESPACE, LAGUNA, SAFRANE | | |

| | | |
|---|--------|------|
|  | | |
| 40.123 | | |
| D=22 | d=10,5 | H=77 |
| Guide Pin Bosch Type | | |
| MERCEDES V-CLASS, VITO | | |

| | | |
|---|--------|------|
|  | | |
| 40.124 | | |
| D=22 | d=10,5 | H=77 |
| Guide Pin Ate Type | | |
| MERCEDES VITO, PEUGEOT 406, 605, 607 | | |

| | | |
|---|--------|------|
|  | | |
| 40.125 | | |
| D=25 | d=12,5 | H=87 |
| Guide Pin Ate Type | | |
| CITROËN AX, SAXO; PEUGEOT 106 | | |

| |
|--------------|
| PR-17 |
| D=M10x1 |
| d=3,5 |
| H=30 |

| |
|--------------|
| PR-18 |
| D=M10x1 |
| d=3,5 |
| H=36 |

| |
|--------------|
| PR-13 |
| D=M10x1 |
| d=3 |
| H=28 |

| |
|--------------|
| PR-19 |
| D=M10x1 |
| d=3 |
| H=37,5 |

| |
|--------------|
| PR-20 |
| D=M10x1.5 |
| d=3,5 |
| H=29,5 |

| |
|--------------|
| PR-27 |
| D=M10x1 |
| d=3,3 |
| H=41,5 |

| |
|-------------|
| PR-8 |
| D=M10x1.25 |
| d=3,5 |
| H=31 |

| |
|--------------|
| PR-1 |
| D=1/4"x28UNF |
| d=3 |
| H=28,5 |

| |
|--------------|
| PR-21 |
| D=M12x1 |
| d=3 |
| H=32 |

| |
|--------------|
| PR-16 |
| D=3/8"x24UNF |
| d=3,5 |
| H=30,5 |

| |
|---------------|
| PR-24 |
| D=5/16"x24UNF |
| d=3 |
| H=30,5 |

| |
|--------------|
| PR-25 |
| D=M6x1 |
| d=3,5 |
| H=38 |

BLEEDER SCREW

| |
|-------------|
| PR-3 |
| D=M7x1 |
| d=3,5 |
| H=22 |

| |
|-------------|
| PR-2 |
| D=M7x1 |
| d=3 |
| H=26 |

| |
|-------------|
| PR-5 |
| D=M7x1 |
| d=3,5 |
| H=30,5 |

| |
|-------------|
| PR-4 |
| D=M7x1 |
| d=3 |
| H=34,5 |

| |
|--------------|
| PR-22 |
| D=M8x1.25 |
| d=3,5 |
| H=24,5 |

| |
|-------------|
| PR-7 |
| D=M8x1.25 |
| d=3,5 |
| H=35,5 |

| |
|--------------|
| PR-14 |
| D=M8x1.25 |
| d=3,5 |
| H=32,5 |

| |
|--------------|
| PR-15 |
| D=M8x1.25 |
| d=3,5 |
| H=38 |

| |
|--------------|
| PR-29 |
| D=M8x1.25 |
| d=3 |
| H=34,5 |

| |
|--------------|
| PR-12 |
| D=M8x1.25 |
| d=3 |
| H=49 |

| |
|-------------|
| PR-6 |
| D=M8x1 |
| d=2,5 |
| H=26,5 |

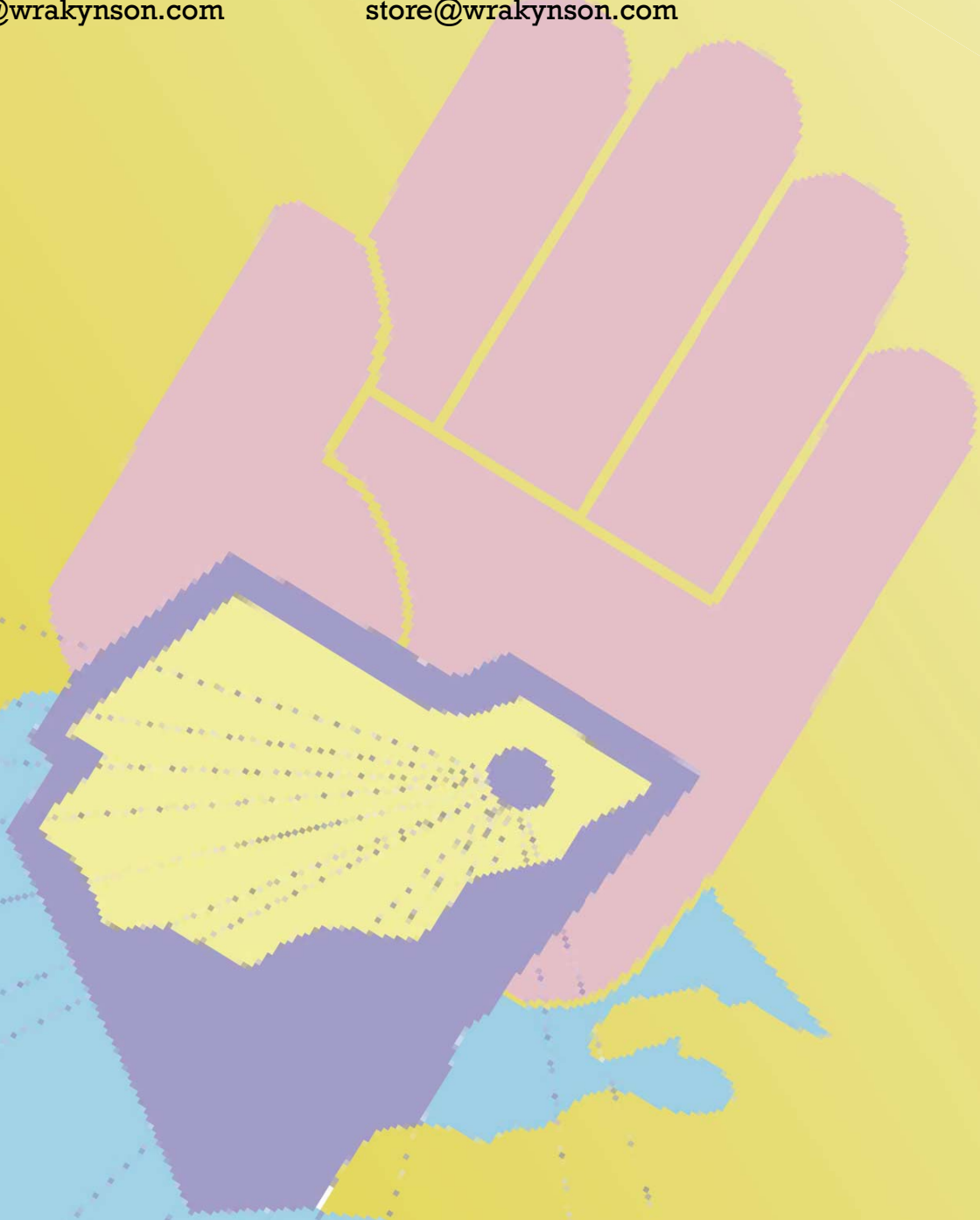
| |
|--------------|
| PR-28 |
| D=M8x1 |
| d=3,5 |
| H=33,5 |

FACTORY

AVENIDA DE LES GARRIGUES, 73
25001 LLEIDA (SPAIN)
TEL +34 973 200 280
FAX +34 973 202 876
wrakynson@wrakynson.com

WAREHOUSE

POLIGON INDUSTRIAL EL SEGRE
CALLE MINERIA, 4
25191 LLEIDA (SPAIN)
TEL +34 973 211 688
store@wrakynson.com



WWW.WRAKYNSON.COM